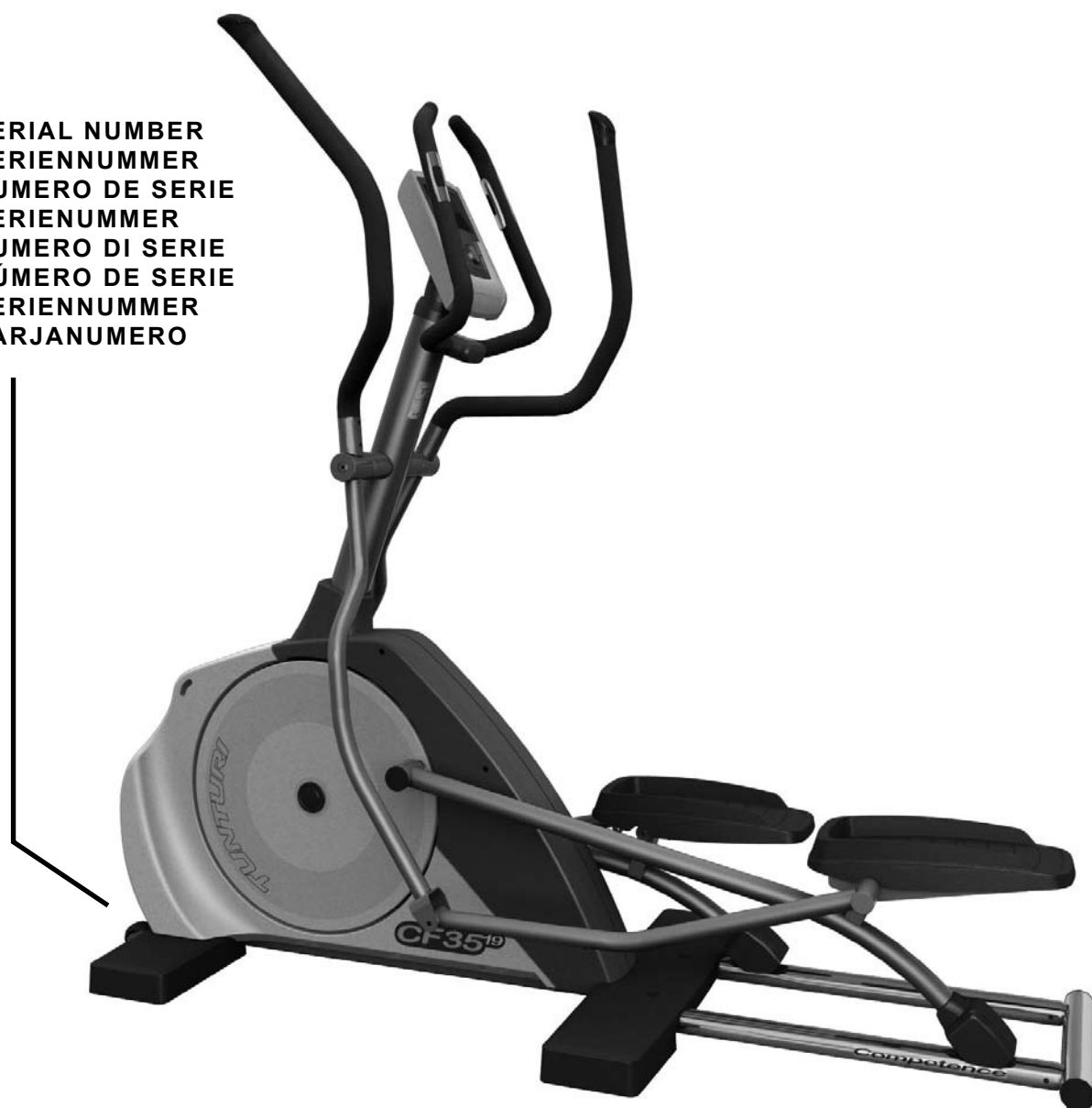


CF35

OWNER'S MANUAL	P. 2-8
BETRIEBSANLEITUNG	S. 9-15
MODE D'EMPLOI	P. 16-22
HANDLEIDING	P. 23-28
MANUALE D'USO	P. 29-34
MANUAL DEL USUARIO	P. 35-40
BRUKSANVISNING	S. 41-46
KÄYTTÖOHJE	S. 47-51

SERIAL NUMBER
SERIENNUMMER
NUMERO DE SERIE
SERIENNUMMER
NUMERO DI SERIE
NÚMERO DE SERIE
SERIENNUMMER
SARJANUMERO



CONTENTS

IMPORTANT SAFETY INSTRUCTIONS	2
ASSEMBLY	52
EXERCISING	4
CONSOLE	5
MAINTENANCE	7
TRANSPORT AND STORAGE.....	7
TECHNICAL SPECIFICATIONS.....	8

IMPORTANT SAFETY INSTRUCTIONS

Read this guide through carefully before assembling, using or servicing your fitness equipment. Please keep the guide somewhere safe; it will provide you now and in the future with the information you need to use and maintain your equipment. Always follow these instructions with care.

YOUR HEALTH

- Before you start any training, consult a physician to check your state of health.
- If you experience nausea, dizziness or other abnormal symptoms while exercising, stop your workout at once and consult a physician.
- To avoid muscular pain and strain, begin each workout by warming up and end it by cooling down (slow pedaling at low resistance). Don't forget to stretch at the end of the workout.

EXERCISING ENVIRONMENT

- The equipment is not to be used outdoors.
- Place the equipment on a firm, level surface. Place the equipment on a protective base to avoid any damages to the floor beneath the equipment.

- Make sure that the exercising environment has adequate ventilation. To avoid catching cold, do not exercise in a draughty place.
- In training, the equipment tolerates an environment measuring +10°C to +35°C. The equipment can be stored in temperatures ranging between -15°C and +40°C. Air humidity in the training or storage environment must never exceed 90 %.

USING THE EQUIPMENT

- If children are allowed to use the equipment, they should be supervised and taught to use the equipment properly, keeping in mind the child's physical and mental development and their personality.
- Before you start using the equipment, make sure that it functions correctly in every way. Do not use a faulty equipment.
- Press the keys with the tip of the finger; your nails may damage the key membrane.
- Never lean on the interface.
- Never remove the side covers. Do not step on the frame casing.
- Only one person may use the equipment at a time.
- Hold the stationary handlebar for support when getting on or off the equipment.
- Wear appropriate clothing and shoes when exercising.
- Protect the meter from sunlight and always dry the surface of the meter if there are any drops of sweat on it.
- Further information on warranty terms can be found in the warranty booklet included with the product.
- Please note that the warranty does not cover damage due to shipping or negligence of adjustment or maintenance instructions described in this manual.

- The equipment must not be used by persons weighing over 150 kg.
- Make sure the equipment is unplugged before carrying out any assembly or maintenance procedures.
- Do not attempt any servicing or adjustments other than those described in this guide. Everything else must be left to someone familiar with the maintenance of electromechanical equipment and authorized under the laws of the country in question to carry out maintenance and repair work.
- This product must be grounded. If it should malfunction or breakdown, grounding provides a path of least resistance for electric current to reduce the risk of electric shock. This product is equipped with a cord having an equipment-grounding conductor and a grounding plug. The plug must be plugged into an appropriate outlet that is properly installed and grounded in accordance with all local codes and ordinances.

DANGER:

Improper connection of the equipment-grounding conductor can result in a risk of electric shock. Check with a qualified electrician or technician if you are in doubt as to whether the product is properly grounded. Do not modify the plug provided with the product - if it will not fit the outlet, have a proper outlet installed by a qualified electrician.

SAVE THIS INSTRUCTION MANUAL

NOTE ABOUT SAFETY FOR UNITS WITH ELECTRICAL POWER

Before connecting the equipment to a power source, make sure that the local voltage matches that indicated on the type plate: the equipment operates at either 230 v or 115 v (north american version). Note! The equipment must be connected to a grounded wall socket. Do not use extension wires when connecting the equipment to the power

source. Always switch off the power and unplug the equipment from the electrical outlet immediately after using!

To reduce the risk of burns, fire, electric shock or injury to persons:

1. The equipment should never be left unattended when plugged in. Unplug the equipment from the outlet when not in use, before carrying out any maintenance or repair procedures, and before moving the unit.
2. Do not operate the equipment under a blanket or other combustible material. Excessive heating can occur and cause fire, electric shock or injury to persons.
3. Do not connect the equipment to a power source, or operate the equipment if there is any sort of damage to the power cord or the unit itself.
4. Do not connect the equipment to a power source or operate the equipment outdoors or in damp locations.
5. Keep the power cord away from hot objects.
6. Do not route the power cord beneath a carper or place any objects on the cord. Also make sure that the power cord does not run underneath the equipment.
7. Do not alter (for example lengthen) the cord between the transformer and the unit.

NOTE ABOUT ASSEMBLING THE EQUIPMENT

Start by unpacking the equipment. The detailed assembly instructions can be found at the back of this guide. Follow the instructions in given order.

Before assembly, check the contents of the package. If a part is missing, please contact your dealer with the model, equipment serial no. and spare part no. of the missing part. You'll find a spare part list at the back of this guide. The

hardware kit contents are marked with * in the spare parts list. The directions left, right, front and back are defined as seen from the exercising position. Keep the assembly tools, as you may need them e.g. for adjusting the equipment. Note that two people are needed for the assembly.

The packaging includes a silicate bag for absorbing moisture during storage and transportation. Please dispose of the bag once you have unpacked the equipment. Allow at least 100 cm of clearance around the equipment. We also recommend opening the package and assembling the product on a protective base.

WELCOME TO THE WORLD OF

TUNTURI EXERCISING!

Your choice shows that you really want to invest in your well being and condition; it also shows you really value high quality and style. With Tunturi Fitness Equipment, you've chosen a high quality, safe and motivating product as your training partner. Whatever your goal in training, we are certain this is the training equipment to get you there. You'll find information about using your exercise equipment and what makes for efficient training at Tunturi's website at WWW.TUNTURI.COM.

EXERCISING

Working out using an elliptical trainer is excellent aerobic exercise, the principle being that the exercise should be suitably light, but of long duration. Aerobic exercise is based on improving the body's maximum oxygen uptake, which in turn improves endurance and fitness. The ability of the body to burn fat as a fuel is directly dependent on its oxygen-uptake capacity. Aerobic exercise should above all be pleasant. You should perspire, but you should not get out of breath during the workout. You must, for example, be able to speak and not just pant while pedaling.

You should exercise at least three times a week, 30 minutes at a time, to reach a basic fitness level. Maintaining this level requires a few exercise sessions each week. Once the basic condition has been reached, it is easily improved simply by increasing the number of exercise sessions. Exercise is always rewarding for weight loss, because it is the only way of increasing the energy spent by the body. This is why it is always worthwhile to combine regular exercise with a healthy diet. A dieter should exercise daily, at first 30 minutes or less at a time, gradually increasing the daily workout time to one

hour.

You should start slowly at a low pedaling speed and low resistance, because for an overweight person strenuous exercise may subject the heart and circulatory system to excessive strain. As fitness improves, resistance and pedaling speed can be increased gradually. Exercise efficiency can be measured by monitoring the pulse. The pulse meter helps you monitor your pulse easily during exercise, and thus to ensure that the exercise is sufficiently effective but not over-strenuous. Start your workout with slow tempo and low resistance. Gradually increase tempo and resistance according to your own condition. Keep your head up and neck long in order to avoid stress on your neck, shoulders and back. Keep also your back straight. Make sure that your feet are centered on the foot pedals and that your hips, knees, ankles and toes are facing forward. Keep your body weight centered over your lower body regardless of whether you lean forward or stand upright. Stop your workout by gradually decreasing tempo and resistance.

Don't forget to stretch afterwards. To strengthen cardiovascular system, maintain low resistance but high tempo. Exercising with higher resistance and slow tempo strengthens correspondingly your back and hips.

HEART RATE

No matter what your goal, you'll get the best results by training at the right level of effort, and the best measure is your own heart rate.

The CF35 meter has a heart rate receiver compatible with Polar equipment, so you can also use Polar uncoded heart rate transmitter belts for heart rate measurement.

NOTE! If you are fitted with a pacemaker, please consult a physician before using a heart rate transmitter belt.

The most reliable heart rate measurement is achieved with a telemetric device, in which the electrodes of the transmitter fastened to the chest transmit the pulses from the heart to the console by means of an electromagnetic field. If you want to measure your heart rate this way during your workout, moisten the grooved electrodes on the transmitter belt with saliva or water. Fasten the transmitter just below the chest with the elastic belt, firmly enough so that the electrodes remain in contact with the skin while exercising, but not so tight that normal breathing is prevented. If you wear the transmitter and belt over a light shirt, moisten the shirt slightly at the points where the electrodes touch the shirt. The transmitter automatically transmits the heart rate reading to the console up to a distance of about 1 m.

If the electrode surfaces are not moist, the heart-

rate reading will not appear on the display. If the electrodes are dry, they must be moistened again. Allow the electrodes warm up properly to ensure accurate heart rate measurement. If there are several telemetric heart rate measurement devices next to each other, the distance between them should be at least 1.5 m. Similarly, if there is only one receiver and several transmitters in use, only one person with a transmitter should be within transmission range. The transmitter is switched to an active state only when it is being used for measurement. Sweat and other moisture can, however, keep the transmitter in an active state and waste battery energy. Therefore it is important to dry the electrodes carefully after use.

When selecting training attire, please note that some fibers used in clothes (e.g. polyester, polyamide) create static electricity, which may prevent reliable heart rate measurement. Please note that a mobile phone, television and other electrical appliances form an electromagnetic field around them, which will cause problems in heart rate measurement.

HAND GRIP PULSE MEASUREMENT

(HGP-VERSION)

Pulse is measured by sensors in the handlebars. Pulse is measured when the user of CF35 is touching both sensors simultaneously. Reliable pulse measurement requires that the skin is constantly touching the sensors and that the skin is slightly moist. Too dry or too moist skin weakens the reliability of hand pulse measurement.

HEART RATE IN TRAINING

First find your maximum heart rate i.e. where the rate doesn't increase with added effort. If you don't know your maximum heart rate, please use the following formula as a guide:

$$220 - \text{AGE}$$

The formula gives an average value, the maximum varies from person to person. The maximum heart-rate diminishes on average by one point per year. If you belong to a risk group, ask a doctor to measure your maximum heart rate for you.

We have defined three different heart-rate zones to help you with targeted training.

BEGINNER • 50-60 % of maximum heart-rate

Also suitable for weight-watchers, convalescents and those who haven't exercised for a long time. Three sessions a week of at least a half-hour each is recommended. Regular exercise considerably improves beginners' respiratory and circulatory performance and you will quickly feel your improvement.

TRAINER • 60-70 % of maximum heart-rate

Perfect for improving and maintaining fitness. Even reasonable effort develops the heart and lungs effectively, training for a minimum of 30 minutes at least three times a week. To improve your condition still further, increase either frequency or effort, but not both at the same time!

ACTIVE TRAINER • 70-80 % of maximum heart-rate

Exercise at this level suits only the fittest and presupposes long-endurance workouts.

CONSOLE



BUTTONS

1. SELECTION DIAL

The selection dial functions in two ways:
A) Rotating the dial (+ / -). By rotating the dial clockwise, you can scroll the menus to the right, and increase values or resistance. By rotating the dial counter-clockwise, you can scroll the menus to the left, and decrease values or resistance.
B) Pressing the dial (ENTER). By pressing the dial, you can accept the selection you made when rotating the dial.

2. START/STOP

Starts, pauses, and stops training. During training, pressing this button once activates the pause mode. Pressing the button again starts the program again.

3. RESET

Single push: return to the program menu. Long push: restarts the meter.

4. RECOVERY

Calculates your recovery heart rate index.

5. BODY FAT

Calculates your body mass index (BMI) and shows your body fat %.

DISPLAY

Time (mm:ss), speed (km/h or ml/h), RPM (revolutions per min), distance (km or ml), energy consumption (kcal), power(W) and heart rate (bpm) are displayed.

PROGRAMS

1. MANUAL PROGRAM

Set target time and/or distance and/or energy consumption and/or upper heart rate limit by using the SELECTION DIAL.

Start training by pressing START/STOP button.

If you have set target/targets, the target/targets start to count down. Adjust resistance with SELECTION DIAL.

2. PRESET PROGRAMS

Preset program profile is shown for two seconds while programs are browsed. Select desired preset program by using the SELECTION DIAL.

Set time for training and/or target distance and/or energy and/or upper heart rate limit by SELECTION DIAL.

Start training by pressing START/STOP button.

If you have set target/targets, the target/targets start to count down. During training you can scale the load by SELECTION DIAL.

3. USER PROGRAM

The program profile used last time is displayed.

You can either start training with your personal memorized training targets by pressing START/STOP or modify the program. The program profile bar (1/20) that can now be modified blinks. If you want to change, modify the blinking bar and confirm. Next bar will blink. After the last bar, the display switches back to the first bar. By pressing the ENTER button for 2 seconds you can finish the profile modifying. Now program is ready with your memorized personal training data (time, distance, energy targets and heart rate limit). Modify your targets if needed. Start training by pressing START/STOP button.

If you have set target/targets, the target/targets start to count down. During training you can scale the load by SELECTION DIAL

4. HEART RATE CONTROL (H.R.C.)

Select between four different training intensities (55%, 75%, 90% or TARGET). By selecting TARGET you can insert target heart rate.

Start training by pressing START/STOP button.

During the training the equipment will automatically adjust the resistance so that your target will be reached and maintained.

5. CONSTANT WATT)

Set target power in watts and target time and/or distance and/or energy consumption and/or upper heart rate limit by SELECTION DIAL.

Start training by pressing START/STOP button.

If you have set target/targets, the target/targets start to count down. During training the equipment

will adjust resistance dependently on your pedaling speed, so that target power level is achieved and maintained. You can change the target power by SELECTION DIAL.

6. RECOVERY

Start the recovery calculation after training by pressing RECOVERY button. Recovery heart rate calculation can be started only if the heart rate measurement is activated and the heart rate value is shown on the display. The measurement takes 60 seconds. After 60 seconds, the display shows your recovery index F1-F6 (F1 = best result). To get back to main menu, press RECOVERY button once again.

7. BODY FAT

Press BODY FAT button to start measurement. Hold both hands on the handgrips and wait for 8 seconds. The meter will show body fat advice symbol, body fat % and BMI for 30 seconds.

SETTING USER DATA

Right after restarting the meter or reset (long push) you can enter to the user menu. Select the user and confirm. Set your sex, age, height and weight. Confirm by selection dial. Personal exercise target data (time, distance, energy, heart rate limit) will be memorized and recalled as defaults every time when the user is selected. If you modify your personal training data, it will automatically be memorized.

ADDITIONAL NOTES

1. For speed and distance you can choose either metric or English units by using the KM/ML switch located on the back cover of the meter. The power cord has to be unplugged and replugged to apply the change.

2. If you are not training and buttons are not pressed, the meter switches into the Sleep mode after about four minutes. Room temperature is displayed.

3. Training is paused for a maximum of 4 minutes by pressing the START/STOP button. Pressing the button again allows you to continue the paused training session using the previous training data.

4. Entering training targets (time, distance, energy, heart rate limit) is possible only in the STOP mode (not during training).

5. If you don't want to change your user data every time you start training, press START/STOP to skip user data editing. You'll enter to the training in Manual mode.

6. This equipment cannot be used for therapeutic purposes.

7. Energy consumption is calculated based on average values. The energy expenditure is displayed in kilocalories. To convert this into joules, use the formula: 1 Kcal = 4.187 KJ.

8. If you are training with heart rate measurement (either chest belt or handgrip heart rate) you can set maximum heart rate limit. When limit is exceeded

while training meter will give alarm beeps.

9. Preset programs are divided into 16 steps.

Duration of the one step depends on the time set for the whole training. If time is not set, duration of one step will be 100 m in distance.

10. If you have set targets to count down, a signal sounds and training automatically stops when any of target reaches zero. You can restart training by pressing START/STOP

11. Note that recovery index is in relation to the heart rate frequency in both the beginning and the end of the measurement.

12. In H.R.C program heart rate target ranges (55%, 75% and 90%) are calculated as percent from your age predicted maximum heart rate (calculation formula: maximum heart rate = 220 – age).

13. Automatic adjustment of the resistance during H.R.C program occurs upwards every 30 seconds and downwards every 15 seconds, if needed.

14. BODY FAT is a personal measurement and the result is based on average european population values.

B.M.I. (Body Mass Index) table:

LOW < 20

LOW / MEDIUM 20 – 24

MEDIUM 24 - 26,5

MEDIUM / HIGH > 26,5

Formula for BMI = weight (kg) / height² (m)

BODY FAT % (average european population) table:

Male:

LOW < 13

LOW / MEDIUM 13 – 26

MEDIUM 26 – 30

MEDIUM / HIGH > 30

Female:

LOW < 23

LOW / MEDIUM 23 – 36

MEDIUM 36 – 40

MEDIUM / HIGH > 40

MAINTENANCE

The equipment requires very little maintenance. Check, however, from time-to-time that all screws and nuts are tight.

- After exercising, clean the equipment with a soft, absorbent cloth. Do not use solvents.
- Never remove the equipment's protective casing.
- The electromagnetic brake forms a magnetic field that may damage the mechanism of a watch, or the magnetic identification strip on a credit or cash card, should they come into immediate contact with the magnets. Never attempt to detach or remove the electromagnetic brake!
- The electromagnetic brake is based on electromagnetic resistance; resistance level is electronically measured and shown as watt reading on the display. Due to the measurement system, your Tunturi crosstrainer need not be re-calibrated when assembled, serviced and used according to this Owner's Manual.

MALFUNCTIONS

Despite continuous quality control, defects and malfunctions caused by individual components may occur in the equipment. In most cases it's unnecessary to take the whole device in for repair, as it's usually sufficient to replace the defective part.

If the equipment does not function properly during use, contact your Tunturi dealer immediately.

Always give the model and serial number of your equipment. Please state also the nature of the problem, conditions of use and purchase date.

If you require spare parts, always give the model, serial number of your equipment and the spare part number for the part you need. The spare part list is at the back of this manual. Use only spare parts mentioned in the spare part list.

TRANSPORT AND STORAGE

Please follow these instructions when carrying and moving the equipment about, because lifting it incorrectly may strain your back or risk other accidents:

Always switch the power off and unplug the power cord before you start moving the equipment around!

For transportation or moving of the device, two grown-ups are needed. Remain standing in front of the device on each side and take a sturdy grip at the handles. Lift the front of the device so as to lift the rear of the device on the wheels. Move the device and carefully put it down to its new place.

NOTE! Transport the equipment with caution over uneven surfaces, for example over a step. The equipment should never be transported upstairs using the wheels over the steps, instead it must be carried. We recommend that you use a protective base when transporting the equipment.

To prevent the equipment malfunctioning, store in a dry place with as little temperature variation as possible and protected from dust.

TECHNICAL SPECIFICATIONS

Length	183 cm
Width	70 cm
Height.....	170 cm
Weight	69 kg

The Tunturi CF35 meets the requirements of the EU's EMC Directives on electromagnetic compatibility (89/336/EEC) and electrical equipment designed for use within certain voltage limits (73/23/EEC). This product therefore carries the CE label.

The Tunturi model CF35 meets EN precision and safety standards (Class A, EN-957, parts 1 and 9) for fitness devices. The precision of the capacity measurement is secured during manufacturing by adjusting the brake with a dynamometer. Calculation of exercise capacity is based on rotation speed and moment.

Due to our continuous policy of product development, Tunturi reserves the right to change specifications without notice.

NOTE! The instructions must be followed carefully in the assembly, use and maintenance of your equipment. The warranty does not cover damage due to negligence of the assembly, adjustment and maintenance instructions described herein. Changes or modifications not expressly approved by Tunturi Oy Ltd will void the user's authority to operate the equipment!

WE WISH YOU MANY ENJOYABLE TRAININGS WITH YOUR NEW TUNTURI TRAINING PARTNER!

INHALT

WICHTIGE SICHERHEITSHINWEISE.....	9
MONTAGE.....	52
TRAINIEREN MIT TUNTURI.....	10
COCKPIT.....	12
WARTUNG.....	14
TRANSPORT UND LAGERUNG.....	14
TECHNISCHE DATEN.....	15

WICHTIGE

SICHERHEITSHINWEISE

Dieses Handbuch ist ein wesentlicher Bestandteil Ihrer Trainingsausrüstung. Lesen Sie dieses Handbuch bitte sorgfältig durch, bevor Sie Ihr Trainingsgerät montieren, mit ihm trainieren oder es warten. Bitte bewahren Sie dieses Handbuch; es wird Sie jetzt und zukünftig darüber informieren, wie Sie Ihr Gerät benutzen und warten. Befolgen Sie diese Anweisungen immer sorgfältig.

- Vor Beginn eines Trainingsprogrammes einen Arzt konsultieren.
- Bei Übelkeit, Schwindelgefühl oder anderen anomalen Symptomen sollte das Training sofort abgebrochen und unverzüglich ein Arzt aufgesucht werden.
- Dieses Gerät hat ein geschwindigkeitsabhängiges Bremssystem, d.h. je schneller Sie schreiten, desto höher ist die Belastung.
- Aufgrund des natürlichen Spieltriebes und der Experimentierfreudigkeit der Kinder können Situationen und Verhaltensweisen entstehen, für die das Trainingsgerät weder gebaut noch abgesichert ist und die eine Verantwortung seitens des Herstellers ausschliessen. Wenn Sie dennoch Kinder an das Trainingsgerät lassen, müssen Sie deshalb deren geistige und körperliche Entwicklung und vor allem deren Temperament berücksichtigen, sie gegebenenfalls beaufsichtigen und sie vor allem auf die richtige Benutzung des Gerätes hinweisen.
- Das Gerät sollte grundsätzlich nur von einer Person benutzt werden.
- Der Anwendungsbereich dieses Trainingsgerätes ist der Heimbereich.
- Das Gerät darf nur in Innenräumen benutzt werden.
- Das Gerät auf möglichst ebenen Untergrund stellen.
- Stützen Sie sich nie gegen das Benutzerinterface ab!
- Bedienen Sie die Tasten mit der Fingerkuppe. Ein Fingernagel kann die Membrane der Tasten beschädigen.

- Das Gerät nie ohne die seitlichen Abdeckungen benutzen.
- Dieses Gerät ist nicht für den Einsatz in Feuchträumen (Sauna, Schwimmbad) vorgesehen.
- Beim Training muss die Umgebungstemperatur zwischen +10°C und +35°C liegen. Zur Aufbewahrung kann das Gerät bei Temperaturen zwischen -15°C und +40°C gelagert werden. Die Luftfeuchtigkeit darf nie 90 % überschreiten.
- Vor Beginn des Trainings sicherstellen, dass das Gerät völlig intakt ist. Auf keinen Fall mit einem fehlerhaften Gerät trainieren.
- Zum Auf- und Absteigen am Lenker abstützen. Nicht auf das Gehäuse treten.
- Zur Benutzung des Gerätes stets angemessene Kleidung und Schuhwerk tragen.
- Nie die Hände in die Nähe von beweglichen Teilen bringen.
- Zur Vermeidung von Muskelkater Auf- und Abwärmtraining nicht vergessen.
- Keine anderen als die in dieser Betriebsanleitung beschriebenen Wartungsmassnahmen und Einstellungen vornehmen. Die angegebenen Wartungsanweisungen sind einzuhalten.
- Das Gerät darf nicht von Personen benutzt werden, deren Gewicht über 150 kg liegt.
- Nähere Informationen zur Garantie auf Ihr Fitnessgerät finden Sie im dem Gerät beiliegenden Garantieheft. Sowohl Tunturi, als auch seine nationalen Vertretungen übernehmen keine Haftung für Verletzungen oder Geräteschäden, die sich bei Dauereinsatz in gewerblichen Fitnesscentern, Sportvereinen und vergleichbaren Einrichtungen ergeben. Für Schäden, die durch Missachtung der beschriebenen Einstellungs- und Wartungsanweisungen entstehen, besteht kein Garantie-Anspruch!

SICHERHEITSHINWEIS FÜR GERÄTE MIT ELEKTRISCHER STROMVERSORGUNG

Vergewissern Sie sich vor dem Anschließen des Geräts an das Stromnetz, dass die örtliche Netzspannung mit der Angabe auf dem Typschild übereinstimmt. Das Gerät arbeitet mit 230 oder 115 V (Ausführung für Nordamerika). **BITTE BEACHTEN:** Das Gerät muss an eine geerdete Wandsteckdose angeschlossen werden. Schließen Sie das Gerät nicht über Verlängerungskabel an das Stromnetz an. Trennen Sie das Gerät nach dem Training stets vom Netz.

So vermindern Sie die Gefahr von Verbrennungen, Bränden, Stromschlägen und Personenschäden:

1. Das Gerät darf im angeschlossenen Zustand niemals unbeaufsichtigt gelassen werden. Ziehen Sie bei Nichtverwendung den Netzstecker des Geräts ab. Ziehen Sie den Netzstecker ebenfalls ab, bevor Sie das Gerät warten, reparieren oder transportieren.
2. Betreiben Sie das Gerät nicht unter einer

Decke oder anderen brennbaren Materialien. Andernfalls kann das Gerät zu heiß werden, und es besteht die Gefahr von Bränden, Stromschlägen und Personenschäden.

3. Schließen Sie das Gerät nicht an das Stromnetz an und nehmen Sie es nicht in Betrieb, wenn Netzkabel oder Gerät in irgendeiner Weise beschädigt sind.
4. Schließen Sie das Gerät nicht im Freien oder an einem feuchten Ort an das Stromnetz an und nehmen Sie es dort auch nicht in Betrieb.
5. Achten Sie auf ausreichenden Abstand zwischen dem Netzkabel und heißen Gegenständen.
6. Verlegen Sie das Netzkabel nicht unter dem Teppich, und stellen Sie keine Gegenstände auf das Kabel. Achten Sie außerdem darauf, dass das Gerät nicht auf dem Netzkabel steht.
7. Nehmen Sie keine Veränderungen an dem Kabel zwischen Umspanner und Gerät vor (indem Sie es beispielsweise verlängern).

HINWEIS ZUM ZUSAMMENBAU DES GERÄTS

Packen Sie das Gerät zunächst aus. Eine detaillierte Montageanleitung finden Sie im hinteren Teil dieses Handbuchs. Folgen Sie der Anleitung in der vorgegebenen Reihenfolge.

Kontrollieren Sie vor dem Zusammenbau zunächst den Lieferumfang. Wenden Sie sich bei fehlenden Teilen an Ihren Händler, und nennen Sie ihm die Typenbezeichnung und Seriennummer des Geräts sowie die Ersatzteilnummer des fehlenden Teils. Eine Ersatzteilliste finden Sie im hinteren Teil dieses Handbuchs. Die Hardware-Komponenten sind in der Ersatzteilliste mit einem Sternchen (*) gekennzeichnet. Die Richtungsangaben links, rechts, vorn und hinten gehen von der Trainingsposition aus. Verwahren Sie die Montagewerkzeuge, um sie bei Bedarf zur Hand zu haben (zum Beispiel zum Verstellen des Geräts). Es sei darauf hingewiesen, dass für den Zusammenbau des Geräts eine zweite Person benötigt wird.

Die Verpackung enthält eine Tüte mit Silikat, das die Feuchtigkeit während der Lagerung und des Transports aufnimmt. Bitte entsorgen Sie diese Tüte, wenn Sie das Gerät ausgepackt haben. Sorgen Sie rund um das Gerät für einen Freiraum von mindestens 100 cm. Außerdem wird empfohlen, das Paket auf einer Schutzmatte zu öffnen und das Produkt dort zusammenzubauen.

HERZLICH WILLKOMMEN IN DER WELT

DES TRAINIERENS MIT TUNTURI!

Durch Ihren Kauf haben Sie bewiesen, dass Ihnen Ihre Gesundheit und Ihre Kondition viel wert

sind; auch haben Sie gezeigt, dass Sie Qualität zu schätzen wissen. Mit einem Tunturi-Fitnessgerät haben Sie sich für ein hochwertiges, sicheres und motivierendes Produkt als Trainingspartner entschieden. Welches Ziel Sie auch immer mit Ihrem Training verfolgen, wir sind sicher, dass Sie es mit diesem Fitnessgerät erreichen. Hinweise zu Ihrem Trainingsgerät und zum effektiven Training damit finden Sie auf der Internetseite von Tunturi **WWW.TUNTURI.COM**.

TRAINIEREN MIT TUNTURI

Treten mit dem CF35 ist eine ausgezeichnete aerobe Trainingsform, d.h. das Training ist zwar leicht, erfordert aber eine lange Trainingsdauer. Das aerobe Training basiert auf einer Verbesserung der max. Sauerstoffaufnahmefähigkeit, was zu einer Verbesserung der Kondition und Ausdauer führt. Treten ist auch eine angenehme Trainingsform. Man soll zwar schwitzen, aber nicht ausser Atem kommen. So sollte man während des Trainings normal sprechen können.

Das Training sollte aus mindestens drei 30-minütigen Einheiten pro Woche bestehen. So wird eine Grundkondition erreicht. Die Aufrechterhaltung der Kondition setzt zirka zwei Trainingssätze pro Woche voraus. Ist die Grundkondition erreicht, kann diese leicht durch Erhöhen der Trainingsfrequenz verbessert werden. Körperliche Betätigung ist ein wichtiges Hilfsmittel zur Reduzierung des Körpergewichtes, denn Training ist das einzige Mittel, den Energieverbrauch des Körpers zu erhöhen. Dabei ist es neben einer kalorienarmen Diät wichtig, regelmässig zu trainieren. Die tägliche Trainingszeit sollte am Anfang 30 Minuten entweder auf einmal oder in kleineren Intervallen betragen und sollte langsam auf 60 Minuten erhöht werden.

Lassen Sie das Training mit geringem Tretwiderstand beginnen. Eine grosse Anstrengung bei einem hohen Körpergewicht kann zu einer gefährlichen Belastung des Herzens und des Kreislaufs führen. Die Trainingseffizienz kann mit Hilfe der Pulsfrequenz geschätzt und die Tretgeschwindigkeit der Kondition entsprechend langsam erhöht werden. Mit der Anzeige Ihres Gerätes können Sie ihre Pulsfrequenz während des Trainings beobachten und sicherstellen, dass das Training effektiv genug aber nicht zu anstrengend ist. Während des Trainings immer an den Handgriffen oder Handstütze festhalten. Während des Trainings immer die Füße auf den Fussbrettern behalten.

Eine hohe Belastung und kurze Übungsintervalle eignen sich zur Entwicklung der Maximalkraft und Aufbau der Muskelmasse, leichtere Belastung und längere Übungsintervalle zum Straffen der Muskeln und Entwicklung der Muskelkraft. Mit ruhigem Tempo und geringem Belastung beginnen. Je nach Kondition das Tempo und den Trainingswiderstand langsam erhöhen. Dabei den Kopf hoch und Nacken und Rücken gerade halten. Sicherstellen, dass sich die Füße etwa in der Mitte des Trittbretts befinden. Den Körperschwerpunkt unabhängig von der

verwendeten Handstütze immer auf die unteren Gliedmassen verlagern.

Zur Vermeidung von Muskelkater Auf- und Abwärmtraining nicht vergessen. Durch Einstellung des Tretwiderstandes und des Trainingstempos können verschiedene Muskelgruppen trainiert werden.

HERZFREQUENZ

Egal, welches Ziel Sie erreichen wollen, die besten Resultate erzielen Sie mit einem Training auf dem richtigen Leistungsniveau, und das beste Mass ist dabei Ihre eigene Herzfrequenz. Die Herzfrequenzmessung beim CF35 erfolgt drahtlos mit einem Herzfrequenzmessgerät von Polar. Der Polar-Empfänger ist bereits eingebaut.

Als zuverlässigste Art der Herzfrequenzmessung hat sich die drahtlose Herzfrequenzabnahme erwiesen, bei der die Herzschläge mit einem Elektrodengurt von der Brust abgenommen werden. Vom Gurt werden die Impulse danach über ein elektromagnetisches Feld an den Empfänger in der Elektronikanzeige übertragen.

BITTE BEACHTEN! Falls Sie einen Herzschrittmacher tragen, lassen Sie sich von Ihrem Arzt bestätigen, dass Sie die drahtlose Herzfrequenzmessung benutzen können.

Zur drahtlosen Herzfrequenzmessung während des Trainings die gegen die Haut kommenden Elektroden am Elektrodengurt sorgfältig mit Wasser oder Speichel anfeuchten. Wird der Elektrodengurt über einem dünnen Hemd getragen, sind die gegen die Elektroden gerichteten Flächen ebenfalls zu befeuchten. Den Sender mit Hilfe des Gurtes fest unterhalb der Brustmuskulatur befestigen und darauf achten, dass der Gurt beim Training nicht verrutscht. Den Elektrodengurt jedoch nicht so festziehen, dass z. B. die Atmung erschwert wird. Der Sender kann den Pulswert bis zu einer Entfernung von zirka 1 m an den Empfänger übertragen.

Bei trockenen Elektroden wird kein Herzfrequenzwert angezeigt. Ggf. Elektroden wieder anfeuchten. Für eine zuverlässige Herzfrequenzmessung müssen die Elektroden auf Körpertemperatur angewärmt sein. Sind mehrere drahtlose Herzfrequenzmessgeräte gleichzeitig eingeseTzt, sollten sie mindestens 1,5 m voneinander entfernt sein. Werden nur ein Herzfrequenzempfänger, aber mehrere Sender eingeseTzt, darf sich nur eine Person, die einen Herzfrequenzsender trägt, während der Herzfrequenzmessung innerhalb der Reichweite des Senders befinden. Der Sender schaltet sich aus, wenn der Elektrodengurt abgenommen wird. Er kann jedoch durch Feuchtigkeit neu aktiviert werden, was die Lebensdauer der Batterie verkürzt. Deswegen ist es wichtig, den Sender nach dem

Training sorgfältig zu trocknen.

Achten Sie bei Ihrer Trainingskleidung darauf, dass bestimmte für Kleidungsstücke verwendete Fasern (z.B. Polyester, Polyamid) statische elektrische Ladungen verursachen, die ein Hindernis für eine zuverlässige Herzfrequenzmessung sein können. Beachten Sie auch, dass durch Handys, Fernsehgeräte und andere elektrische Geräte elektromagnetische Felder entstehen, die Probleme bei der Herzfrequenzmessung verursachen können.

PULSMESSUNG MIT DEN SENSOREN IN DEN

HANDSTÜTZEN (HGP-VERSION)

Die Pulsmessung beruht auf der Kontrolle Ihres Kreislaufs in den äusseren Blutgefässen. Hierzu werden die Sensoren in den Handstützen benutzt, die die Pulsschläge immer dann messen, wenn der Gerätebenutzer gleichzeitig die beiden in den Handstützen angebrachten Sensoren berührt. Eine verlässliche Pulsmessung SETzt voraus, dass die Haut etwas feucht und ständig in Kontakt mit den Sensoren ist. Tunturi empfiehlt jedoch, immer wenn eine höchst zuverlässige Herzfrequenzmessung wichtig ist, den Polar-Sendergurt zu verwenden.

HERZFREQUENZBEREICHE

Ermitteln Sie zuerst Ihre maximale Herzfrequenz. Wenn Sie diese nicht kennen, orientieren Sie sich bitte an der nachfolgenden Formel:

220 – ALTER

Das Maximum unterscheidet sich von Mensch zu Mensch. Die maximale Herzfrequenz verringert sich pro Jahr durchschnittlich um einen Punkt. Wenn Sie zu einer der bereits genannten Risikogruppen zählen, bitten Sie den Arzt, Ihre maximale Herzfrequenz festzustellen.

Wir haben drei Herzfrequenzbereiche definiert, die Sie bei Ihrem zielgerichteten Training unterstützen.

ANFÄNGER • 50-60 % der maximalen Herzfrequenz

Sie ist ausserdem für Übergewichtige und Rekonvaleszenten geeignet sowie für diejenigen, die seit langem nicht mehr trainiert haben. Drei Trainingseinheiten pro Woche von jeweils einer halben Stunde Dauer sind angemessen. Regelmässiges Training verbessert die Leistungsfähigkeit der Atmungs- und Kreislauforgane ganz entscheidend.

FORTGESCHRITTENE • 60-70 % der maximalen Herzfrequenz

Perfekt geeignet zur Verbesserung und Erhaltung der Fitness. Damit stärken Sie Ihr Herz und Ihre Lungen mehr, als auf dem Anfängerniveau. Wir empfehlen mindestens 3 Trainingseinheiten pro Woche mit jeweils mindestens 30 Minuten. Wenn Sie Ihr Fitnessniveau noch weiter erhöhen möchten, trainieren Sie häufiger oder intensiver, aber nicht beides zugleich.

AKTIVE SPORTLER • 70-80 % der maximalen Herzfrequenz

Das Training auf diesem Niveau ist nur für durchtrainierte Sportler geeignet und setzt ein Langzeit-Ausdauertraining voraus.

COCKPIT



TASTEN

1. DREHSCHALTER

Der Drehschalter funktioniert auf zweierlei Weise:

- A) Drehschalter drehen (+ / -). Wenn Sie den Drehschalter im Uhrzeigersinn drehen, können Sie die Menüs nach rechts durchblättern und Einstellwerte oder den Widerstand erhöhen. Wenn Sie den Drehschalter gegen den Uhrzeigersinn drehen, können Sie die Menüs nach links durchblättern und Einstellwerte oder den Widerstand verringern.
- B) Drehschalter drücken (ENTER). Indem Sie auf den Drehschalter drücken, bestätigen Sie die Auswahl, die Sie durch Drehen des Drehschalters vorgenommen haben.

2. START/STOP

Zum Starten, Anhalten und Beenden des Trainings. Durch das Drücken dieser Taste während des Trainings wird der Pausenmodus aktiviert. Durch erneutes Drücken der Taste wird das Programm fortgesetzt.

3. RESET.

Kurz drücken: Rückkehr zum Programmmenü.
Gedrückt halten: Neustart des Instruments.

4. RECOVERY

Berechnet den Index Ihrer Erholungsherzfrequenz.

5. BODY FAT

Berechnet Ihren BMI-Index (Body Mass Index) und

zeigt Ihren Körperfettquotienten an (in Prozent).

DISPLAY

Zeit (mm:ss), Geschwindigkeit (km/h oder ml/h), Drehzahl (Umdrehungen pro Minute), Wegstrecke (km oder ml), Energieverbrauch (kcal), Leistung (W) und Herzfrequenz (bpm) werden angezeigt.

PROGRAMME

1. PROGRAMM MANUAL

Bestimmen Sie den Zeitzielwert und/oder die Wegstrecke und/oder den Energieverbrauch und/oder den oberen Herzfrequenz-Grenzwert mit Hilfe des DREHSCHALTERS.

Starten Sie das Training, indem Sie die Taste START/STOP drücken.

Wenn Sie einen oder mehrere Zielwerte festgelegt haben, beginnt die Rückwärtszählung. Justieren Sie den Widerstand mit Hilfe des DREHSCHALTERS.

2. VORWAHLPROGRAMME

Das jeweilige Vorwahlprogrammprofil wird beim Durchblättern der Programme zwei Sekunden lang angezeigt. Wählen Sie das gewünschte Vorwahlprogramm mit Hilfe des DREHSCHALTERS. Bestimmen Sie die Trainingsdauer und/oder den Wegstrecken-Zielwert und/oder den Energieverbrauch und/oder den oberen Herzfrequenz-Grenzwert mit Hilfe des DREHSCHALTERS.

Starten Sie das Training, indem Sie die Taste START/STOP drücken.

Wenn Sie einen oder mehrere Zielwerte festgelegt haben, beginnt die Rückwärtszählung. Während des Trainings können Sie den Belastungswert mit Hilfe des DREHSCHALTERS verändern.

3. PROGRAMM USER

Das zuletzt genutzte Programmprofil wird angezeigt. Sie können das Training mit den für Sie gespeicherten Zielwerten starten, indem Sie die Taste START/STOP drücken. Alternativ dazu können Sie das Programm modifizieren. Der Balken (1/16) des modifizierbaren Programmprofils beginnt zu blinken. Verändern Sie gegebenenfalls die Höhe des blinkenden Balkens, und bestätigen Sie die Veränderung. Daraufhin beginnt der nächste Balken zu blinken. Nach dem letzten Balken wechselt die Anzeige wieder zum ersten Balken. Halten Sie die Taste ENTER zwei Sekunden lang gedrückt, um die Modifizierung des Profils zu beenden. Das Programm ist nun bereit und beinhaltet die für Sie gespeicherten Trainingsdaten (Zeit-, Wegstrecken- und Energiezielwerte sowie Herzfrequenz-Grenzwert). Ändern Sie Ihre Zielwerte bei Bedarf. Starten Sie das Training, indem Sie die Taste START/STOP drücken.

Wenn Sie einen oder mehrere Zielwerte festgelegt haben, beginnt die Rückwärtszählung. Während des Trainings können Sie den Belastungswert mit Hilfe des DREHSCHALTERS verändern.

4. TARGET HR

Sie haben die Auswahl zwischen vier verschiedenen Trainingsintensitäten (55%, 75%, 90% oder TARGET). Über TARGET können Sie einen Herzfrequenz-Zielwert eingeben.

Starten Sie das Training, indem Sie die Taste START/STOP drücken.

Während des Trainings passt das Gerät den Widerstand laufend so an, dass Ihr Zielwert erreicht und gehalten wird.

5. KONSTANT WATT

Bestimmen Sie den Leistungszielwert in Watt sowie die Trainingsdauer und/oder den Wegstrecken-Zielwert und/oder den Energieverbrauch und/oder den oberen Herzfrequenz-Grenzwert mit Hilfe des DREHSCHALTERS.

Starten Sie das Training, indem Sie die Taste START/STOP drücken.

Wenn Sie einen oder mehrere Zielwerte festgelegt haben, beginnt die Rückwärtszählung. Während des Trainings passt das Gerät den Widerstand laufend so an Ihre Tretgeschwindigkeit an, dass der Leistungszielwert erreicht und gehalten wird. Sie können den Leistungszielwert mit Hilfe des DREHSCHALTERS verändern.

6. RECOVERY

Starten Sie die Berechnung der Erholungsherzfrequenz nach dem Training, indem Sie die Taste RECOVERY drücken. Die Berechnung der Erholungsherzfrequenz kann nur gestartet werden, wenn die Herzfrequenzmessung aktiviert wurde und die Herzfrequenz auf dem Display angezeigt wird. Die Messung dauert 60 Sekunden. Nach 60 Sekunden zeigt das Display Ihren Erholungsindex an. Die Angabe reicht von F1 bis F6, wobei F1 das beste Ergebnis ist. Um wieder in das Hauptmenü zu gelangen, drücken Sie die Taste RECOVERY erneut.

7. BODY FAT

Drücken Sie die Taste BODY FAT, um mit der Messung zu beginnen. Halten Sie die Handgriffe mit beiden Händen gefasst, und warten Sie acht Sekunden. Daraufhin zeigt das Instrument 30 Sekunden lang das Körperfett-Hinweissymbol, den Körperfettquotienten in Prozent und den BMI.

BENUTZERDATEN EINGEBEN

Eingaben in das Benutzermenü sind unmittelbar nach dem Neustarten oder Zurücksetzen (Taste gedrückt halten) des Instruments möglich. Wählen Sie den Benutzer aus, und bestätigen Sie die Auswahl. Geben Sie Geschlecht, Alter, Größe und Gewicht ein. Bestätigen Sie die Eingabe mit dem Drehschalter. Individuelle Trainingszielwerte (Zeit, Wegstrecke, Energie, Herzfrequenz-Grenzwert) werden gespeichert und jedes Mal als Standardwerte geladen, wenn der jeweilige Benutzer ausgewählt wird. Wenn Sie Ihre individuellen Trainingsdaten verändern, werden die Änderungen automatisch gespeichert..

ZUSÄTZLICHE HINWEISE

1. Geschwindigkeit und Wegstrecke können in metrischen oder britischen Maßeinheiten angezeigt werden. Das Umschalten erfolgt über den Schalter KM/ML an der rückwärtigen Instrumentenverkleidung. Um die Änderung wirksam zu machen, muss der Netzstecker abgezogen und wieder eingesteckt werden.
2. Wenn Sie nicht trainieren und keine Tasten gedrückt werden, wechselt das Instrument nach etwa vier Minuten in den Ruhemodus. Die Raumtemperatur wird angezeigt.
3. Durch Drücken der Taste START/STOP wird das Training höchstens vier Minuten lang angehalten. Durch erneutes Drücken der Taste kann die angehaltene Trainingssitzung unter Verwendung der vorherigen Trainingsdaten fortgesetzt werden.
4. Die Eingabe von Trainingszielwerten (Zeit, Wegstrecke, Energie, Herzfrequenz-Grenzwert) ist nur im STOP-Modus und nicht während des Trainings möglich.
5. Wenn Sie Ihre Benutzerdaten nicht bei jedem Trainingsbeginn ändern möchten, drücken Sie START/STOP, um die Bearbeitung der Benutzerdaten zu überspringen. Auf diese Weise rufen Sie zunächst den manuellen Trainingsmodus auf.
6. Dieses Gerät eignet sich nicht für therapeutische Zwecke.
7. Die Berechnung des Energieverbrauchs basiert auf Durchschnittswerten. Der Energieverbrauch wird in Kilokalorien angezeigt. Nutzen Sie zur Umrechnung in Joules die folgende Gleichung: 1 Kcal = 4,187 KJ.
8. Beim Trainieren mit Herzfrequenzmessung (über Brustgurt oder Handgriffe) können Sie einen oberen Herzfrequenz-Grenzwert festlegen. Wird der Grenzwert beim Trainieren überschritten, ertönt ein akustisches Alarmsignal.
9. Vorwahlprogramme sind in 16 Phasen unterteilt. Die Dauer der einzelnen Phasen hängt von der für das Training eingestellten Gesamtdauer ab. Falls kein Zeitwert festgelegt wurde, entspricht die Dauer der einzelnen Phasen einer Wegstrecke von 100 m.
10. Wenn Sie mehrere Sollwerte zum Herunterzählen festgelegt haben, ertönt ein Signalton und das Training wird automatisch beendet, sobald einer der Zielwerte bei Null ankommt. Sie können das Training neu starten, indem Sie START/STOP drücken.
11. Beachten Sie, dass sich der Erholungsindex auf die Herzfrequenz zu Beginn und Ende der Messung bezieht.
12. Im HRC-Programm werden die Herzfrequenzbereiche (55%, 75% und 90%) als Prozentsatz der für Ihre Altersgruppe

prognostizierten maximalen Herzfrequenz berechnet (Formel: maximale Herzfrequenz = 220 – Alter).

13. Die automatische Anpassung des Widerstands im HRC-Programm erfolgt alle 30 Sekunden (aufwärts) bzw. alle 15 Sekunden (abwärts), sofern sie erforderlich ist.

14. BODY FAT ist ein individueller Messwert. Das Ergebnis basiert auf Durchschnittswerten der europäischen Bevölkerung.

B.M.I. (Body Mass Index) Tabelle:

NIEDRIG < 20

NIEDRIG / MITTEL 20 – 24

MITTEL 24 - 26,5

MITTEL / HOCH > 26,5

Formel für BMI = gewicht (kg) / länge² (m)

Körperfett (%) Tabelle (europäischer

Bevölkerungsdurchschnitt):

Männlich:

NIEDRIG < 13

NIEDRIG / MITTEL 13 – 26

MITTEL 26 – 30

MITTEL/ HOCH > 30

Weiblich:

NIEDRIG < 23

NIEDRIG / MITTEL 23 – 36

MITTEL 36 – 40

MITTEL / HOCH > 40

WARTUNG

Das Gerät braucht nur sehr wenig Wartung. Prüfen Sie dennoch von Zeit zu Zeit, dass alle Schrauben und Muttern fest sitzen.

- Bitte trocknen Sie nach jedem Training alle Teile des Gerätes mit einem weichen, saugfähigen Tuch. Verwenden Sie keine Lösungsmittel.
- Entfernen Sie niemals die Schutzverkleidung des Gerätes.
- Die elektromagnetische Bremse erzeugt ein Magnetfeld. Dadurch können Uhrwerke oder Magnetstreifen auf Kreditkarten beschädigt werden, wenn Sie in direkten Kontakt mit den Magneten kommen. Versuchen Sie niemals, die elektromagnetische Bremse zu lösen oder zu entfernen!
- Die elektromagnetische Bremse basiert sich auf elektromagnetischem Widerstand; Widerstandsniveau wird fortlaufend elektronisch gemessen und als Watt im Cockpit angezeigt. Folglich braucht Ihr Tunturi Crosstrainer nicht nachgeeicht werden.

BETRIEBSSTÖRUNGEN

BITTE BEACHTEN! Trotz kontinuierlicher Qualitätsüberwachung können vereinzelt an den Geräten durch einzelne Komponenten verursachte Funktionsstörungen auftreten. Dabei ist es nicht angebracht, das ganze Gerät zur Reparatur zu bringen, da der Fehler meistens durch Austauschen der defekten Komponente behoben werden kann.

Wenn das Gerät während des Gebrauchs nicht einwandfrei funktioniert, wenden Sie sich bitte umgehend an die für Sie zuständige Tunturi-Alleinvertretung. Beschreiben Sie das Problem, die Einsatzbedingungen und teilen Sie das Kaufdatum und die Typenbezeichnung und die Seriennummer Ihres Gerätes mit.

Wenden Sie sich an Ihre nationale Tunturi-Vertretung, wenn Sie Ersatzteile benötigen. Beschreiben Sie die Einsatzbedingungen und teilen Sie das Kaufdatum und die Seriennummer des Gerätes mit. Die Ersatzteilnummern finden Sie in der Liste am Ende dieser Anweisung. Nur Teile in der Ersatzteilliste dürfen verwendet werden.

TRANSPORT UND LAGERUNG

Das CF35 ist mit Transporträder versehen. Um Schäden zu vermeiden, das CF35 nach folgenden Anweisungen transportieren:

Schalten Sie das Gerät immer aus und ziehen Sie den Netzstecker aus der Wandsteckdose, bevor Sie das Gerät an einen anderen Platz stellen.

Um das CF35 zu transportieren braucht man zwei Erwachsene. An der Vorderseite an beiden Seiten des Geräts Platz nehmen und einen festen Griff and den Handgriffen nehmen. Die Vorderseite des Geräts so aufheben, dass sich das Hinterteil des Geräts auf den Transporträder zieht. Das Gerät umziehen und es vorsichtig auf seinen neuen Platz senken.

Das Gerät nur mit äußerster Vorsicht über eine Schwelle oder andere unebene Flächen transportieren. Das Gerät darf nicht auf den Transportrollen über eine Treppe geschoben werden - es muss unbedingt getragen werden. Ein Verschieben des Gerätes kann manche Fussbodenmaterialien beschädigen, z.B. Holzparkettböden. In diesem Fall müssen Sie den Boden vorher schützen.

Lagern Sie das Gerät an einem trockenen, staubfreien Ort mit möglichst geringen Temperaturschwankungen.

TECHNISCHE DATEN

Länge 183 cm
Breite 70 cm
Höhe..... 170 cm
Gewicht 69 kg

Das CF35 erfüllt die EN-Präzisions- und Sicherheitstandards (Class A, EN-957, Teil 1 und 9). Die Präzision der Leistungsmessung wird während Fabrikation mit einem Dynamometer versichert. Die Rechnung der Trainingsleistung beruht sich auf die Drehungsgeschwindigkeit und das Moment.

Aufgrund unserer kontinuierlichen Produktentwicklung behält sich Tunturi das Recht vor, Spezifikationen ohne vorherige Ankündigung zu verändern.

BITTE BEACHTEN! Die Hinweise bezüglich der Montage, der Benutzung und der Wartung Ihres Geräts müssen sorgfältig beachtet werden. Die Garantie schliesst keine Beschädigungen ein, die auf Fahrlässigkeit bei der Montage, Einstellung und Wartung, wie sie in diesem Handbuch beschrieben wurden, zurückzuführen sind. Werden Modifizierungen ohne das Einverständnis der Tunturi Oy Ltd vorgenommen, erlischt jeglicher Garantieanspruch!

**WIR WÜNSCHEN IHNEN VIELE ANGENEHME
TRAININGSTUNDEN MIT IHREM NEUEN
TUNTURI TRAININGSPARTNER!**

TABLE DES MATIERES

CONSEILS ET AVERTISSEMENTS.....	16
ASSEMBLAGE.....	52
EXERCICE.....	17
UNITE DES COMPTEURS FONCTIONS.....	19
MAINTENANCE.....	21
TRANSPORT ET RANGEMENT.....	21
CARACTERISTIQUES TECHNIQUES.....	22

CONSEILS ET

AVERTISSEMENTS

Lisez attentivement ce mode d'emploi avant d'assembler, d'utiliser ou d'effectuer l'entretien de votre appareil sportif. Veuillez conserver ce guide, il contient les renseignements dont vous aurez besoin, maintenant et plus tard, pour utiliser et entretenir votre appareil. Suivez toujours les instructions très rigoureusement.

VOTRE SANTE

- Consultez votre médecin avant de commencer vos exercices.
- Si vous êtes pris de nausées ou de vertiges ou sentez d'autres symptômes anormaux pendant l'entraînement, interrompez immédiatement la session et consultez votre médecin.
- Afin d'éviter toutes douleurs musculaires, commencez et terminez vos sessions par des mouvements d'échauffement (pédalage lent avec une résistance faible). N'oubliez pas non plus d'effectuer des mouvements d'étirement pour terminer votre session.

VOTRE MILIEU D'ENTRAINEMENT

- L'appareil ne doit pas être utilisé à l'extérieur.
- Placez l'appareil sur une surface aussi plane que possible. Placez une protection sous l'appareil.
- Assurez-vous d'une ventilation suffisante, mais évitez toutefois les courants d'air.
- En entraînement, l'appareil supporte des températures de 10°C à 35°C. L'appareil peut aussi être rangée à une température comprise entre -15°C et +40°C. L'hygrométrie du local d'utilisation ou de rangement de l'appareil ne doit jamais excéder 90 %.

L'UTILISATION DE L'APPAREIL

- Si vous décidez de laisser un enfant utiliser l'appareil, prenez toujours en considération l'état de son développement physique et mental ainsi que son caractère. Donnez à l'enfant les conseils nécessaires pour une bonne utilisation de l'appareil

et ne le laissez jamais seul.

- Commencez par vérifier que l'appareil est en parfait état de marche. N'utilisez jamais un appareil défectueux.
- Ne vous accoudez jamais à l'unité des compteurs!
- Appuyez sur les touches du bout des doigts: vos ongles risquent d'abîmer la membrane des touches.
- N'utilisez jamais l'appareil avec les protections latérales démontées.
- Ne montez jamais à deux ou à plusieurs sur l'appareil. Montez et descendez de l'elliptique en vous tenant à la poignée fixe.
- Prenez toujours appui avec vos mains sur le guidon en montant sur l'appareil ou en descendant.
- Portez des vêtements et chaussures appropriés.
- Protégez l'unité des compteurs d'une exposition au soleil et séchez toujours la surface de l'unité des compteurs si des gouttes de sueur sont tombées dessus.
- N'effectuez jamais d'autres opérations de réglage et d'entretien que celles mentionnées dans ce guide et suivez bien les conseils d'entretien qui y sont donnés.
- L'appareil ne doit pas être utilisé par des personnes pesant plus de 150 kg.
- Pour information complémentaire sur la garantie de votre équipement de fitness, veuillez consulter la brochure de garantie livrée avec l'appareil. Veuillez noter que la garantie ne couvre pas les dommages causés par un manque de précaution quant aux instructions de montage et d'entretien décrites dans ce mode d'emploi.
- N'essayez pas d'effectuer d'autres entretiens ou réglages que ceux décrits dans ce mode d'emploi. Les autres opérations doivent être laissées aux soins des personnes compétentes dans l'entretien des dispositifs électromagnétiques et autorisées, aux regards des lois du pays concerné (ou équivalent) à accomplir les travaux de maintenance et de réparations. Les instructions de maintenance de ce mode d'emploi doivent être suivies scrupuleusement.
- Ce produit doit être relié à la terre. S'il fonctionnait mal ou tombait en panne, le fait qu'il soit relié à la terre réduirait le risque de choc électrique. Ce produit est équipé d'un câble muni d'un équipement conducteur relié à la terre et d'une prise de terre. Le câble doit être branché dans une prise de courant appropriée, correctement installée et reliée à la terre selon les réglementations locales et les lois.

DANGER : une connexion incorrecte du câble peut avoir pour résultat le risque d'un choc électrique. Veuillez vérifier avec un électricien qualifié si vous avez un doute quant au bon branchement du produit. Ne modifiez pas le câble d'alimentation fourni avec l'appareil, s'il ne convient pas à la prise de courant, veuillez en faire installer une correcte par un électricien confirmée.

AVERTISSEMENT LIÉ AUX APPAREILS FONCTIONNANT SUR COURANT ÉLECTRIQUE

Avant de brancher l'appareil sur une source d'alimentation, assurez-vous que la tension locale correspond à celle indiquée sur la plaque d'identification. Ce modèle fonctionne soit en 230 V soit en 115 V (modèles américains). ATTENTION ! L'appareil doit être branché sur une prise de terre. N'utilisez pas de rallonge. Il faut toujours couper l'alimentation et débrancher l'appareil immédiatement après utilisation.

Pour réduire le risque de brûlure, d'incendie, de choc électrique ou de blessures sur toute personne :

1. L'appareil ne doit jamais être laissé sans surveillance quand il est branché. Débranchez-le lorsqu'il n'est pas utilisé, avant d'effectuer toute procédure de maintenance ou toute réparation et avant de le déplacer.
2. Ne faites pas fonctionner l'appareil sous une couverture ou avec des matériaux combustibles. Une chaleur excessive est susceptible de se produire, pouvant entraîner un incendie, un choc électrique ou blesser quelqu'un.
3. Ne branchez pas l'appareil et ne l'utilisez pas non plus si le cordon électrique ou l'appareil lui-même est endommagé.
4. Ne branchez pas l'appareil et ne l'utilisez pas non plus à l'extérieur ou dans une pièce humide.
5. Conservez le cordon électrique à l'abri d'objets chauds.
6. Ne placez pas le cordon sous un tapis et ne placez aucun objet sur ce dernier. Assurez-vous également que le cordon ne passe pas en-dessous de l'appareil.
7. Ne modifiez pas le cordon (notamment la longueur) entre le transformateur et l'appareil.

A NOTER LORS DE L'ASSEMBLAGE DE L'APPAREIL

Otez l'appareil de l'emballage. Vous trouverez les instructions d'assemblage détaillées au dos de ce manuel ; veuillez les suivre dans l'ordre indiqué.

Avant de commencer, vérifiez le contenu de l'emballage. S'il vous manque une pièce, contactez votre revendeur et indiquez-lui le modèle, le numéro de série de l'appareil et la référence de la pièce manquante. Vous trouverez la liste des pièces détachées à la fin de ce manuel. Les accessoires matériels sont marqués d'une * dans la liste des pièces détachées. Les directions droite, gauche, avant et arrière sont définies par rapport à la position d'exercice. Conservez les outils de montage, vous pourriez en avoir besoin pour régler l'appareil par exemple. Il faut être à deux pour assembler l'appareil.

L'emballage renferme un sachet de silicate pour absorber l'humidité pendant le stockage et le

transport. Veuillez le jeter après avoir déballé l'appareil. Conservez au moins 1 m d'espace libre autour de l'appareil. Nous recommandons également d'ouvrir l'emballage et d'assembler le produit sur une base protectrice.

BIENVENUE DANS LE MONDE DE

L'ENTRAÎNEMENT TUNTURI !

Votre choix prouve que vous souhaitez réellement investir dans votre bien-être et votre condition; il révèle aussi que vous savez apprécier la haute qualité et l'élégance. En choisissant un équipement sportif Tunturi, vous adoptez un produit de premier choix comme partenaire pour un entraînement motivant en toute sécurité. Quel que soit votre objectif, nous sommes persuadés que cet appareil est celui qui vous y conduira. Adressez-vous à **WWW.TUNTURI.COM** pour plus d'informations.

EXERCICE

Le pédalage est une excellente forme d'exercice aérobique qui lie à la fois modération et durée dans les efforts. Un tel exercice vise à améliorer votre capacité maximale d'absorption d'oxygène, donc votre endurance et votre condition physique. La capacité du corps à "brûler" la graisse est directement liée à sa capacité de transporter l'oxygène. L'exercice aérobique est avant tout un exercice agréable qui devra faire apparaître une légère sueur sur votre peau mais ne devra en aucun cas vous essouffler. Pour vous remettre en forme, il vous faut pratiquer des exercices physiques au moins trois fois par semaine pendant 30 minutes à chaque fois et pour vous maintenir en bonne condition, au moins deux fois par semaine. Une fois un bon niveau de condition atteint, il est facile de l'améliorer en augmentant le nombre des séances d'entraînement.

L'exercice physique est le seul moyen d'augmenter la quantité d'énergie consommée par votre organisme. Voilà pourquoi une diète faible en calories doit toujours être accompagnée d'exercices physiques réguliers. Il est bon de pratiquer des exercices tous les jours, au début pendant 30 minutes (avec ou sans pauses) puis d'augmenter la dose quotidienne progressivement à une heure. Débutez avec une vitesse de pédalage et une résistance faibles. Si vous êtes obèse, un effort excessif pourrait surcharger votre système cardiovasculaire. Au fur et à mesure que votre condition s'améliore, vous pourrez augmenter résistance et vitesse. Pour mesurer l'intensité de l'exercice, vous pourrez utiliser votre fréquence cardiaque. Ceci est possible avec le compteur de pulsations qui vous permettra de suivre facilement votre fréquence cardiaque pendant l'exercice pour vous aider à choisir le niveau d'intensité qui vous convient.

Commencer l'exercice avec un rythme lent et une faible résistance. N'accélérer que peu à peu, selon

vosre condition physique, en augmentant la résistance. Bien redresser la tête pour ne pas contracter les muscles de la nuque, des épaules et du dos. Garder aussi le dos droit. Prendre garde que les pieds restent à peu près au milieu des marches et que l'ensemble hanches, genoux, chevilles, orteils, pointent directement vers l'avant. Que l'on se penche sur la barre d'appui ou que l'on se tienne droit, il faut garder l'essentiel du poids du corps sur les membres inférieurs. En fin d'exercice, diminuer progressivement la résistance.

Ne pas oublier de pratiquer des élongations après l'exercice. L'exercice à un rythme rapide avec une faible résistance fortifie le coeur et améliore la circulation sanguine. Inversement, un rythme lent et une forte résistance développent les muscles du dos et des hanches.

RYTHME CARDIAQUE

Quel que soit votre objectif, vous obtiendrez les meilleurs résultats en vous entraînant à un niveau d'effort approprié, le meilleur contrôle étant votre pouls. Les compteurs CF35 sont équipés d'un récepteur compatible Polar, vous pouvez donc utiliser également des ceintures télémétriques Polar non codées.

ATTENTION ! Si vous utilisez un stimulateur cardiaque, vérifiez auprès de votre médecin que vous pouvez utiliser un cardiofréquence-mètre sans fil.

La façon la plus fiable de mesurer le pouls est de le faire à l'aide d'un couple émetteur-récepteur sans fil, dans lequel les électrodes de l'émetteur fixé au niveau de la poitrine envoient les pulsations à l'unité des compteurs à travers le champ électromagnétique existant entre l'émetteur et le récepteur. Si vous désirez mesurer votre pouls avec la méthode sans fil, commencez par bien mouiller, avec de l'eau ou votre salive, les électrodes de la ceinture de l'émetteur, qui seront en contact avec la peau de votre poitrine. Si vous fixez la ceinture sur votre T-shirt, mouillez le T-shirt aux endroits où se posent les électrodes. Placez la ceinture flexible sous les muscles pectoraux de façon à ce que les électrodes de l'émetteur restent constamment en contact avec votre peau tout au long de l'exercice. Ne serrez cependant pas trop la ceinture: vous devez pouvoir respirer normalement. L'émetteur peut transmettre votre pouls à l'unité des compteurs sur une distance d'un mètre au maximum.

Si les électrodes ne sont pas suffisamment mouillées, l'écran n'affichera pas votre pouls. Donc si les électrodes se sont asséchées en contact avec votre peau, il vous faudra les mouiller à nouveau. Pour mesurer le pouls avec un maximum de fiabilité, laissez les électrodes s'échauffer, par contact sur votre peau, à la température de votre corps. Dans le cas où plusieurs équipements de mesure du pouls sans fils sont utilisés en même temps, la distance entre eux doit être d'au moins 1,5 m. D'autre part, si on ne dispose que d'un récepteur mais de plusieurs

émetteurs, une seule personne portant un émetteur doit se trouver à l'intérieur de la zone de portée du récepteur, lorsque la mesure du pouls est en cours.

ATTENTION! Prenez en compte dans vos vêtements d'entraînement le fait que certaines fibres utilisées dans les vêtements (ex. polyester, polyamide) génèrent de l'électricité statique, ce qui peut entraîner un manque de fiabilité de la mesure du rythme cardiaque. Un téléphone portable, une télévision et d'autres appareils électriques créent un champ électromagnétique autour d'eux, ce qui pose des problèmes dans la mesure du rythme cardiaque.

MESURE DU POULS (VERSION HGP)

La mesure des pulsations sur le CF35 s'effectue grâce aux capteurs situés sur les tubes de poignées. Ces capteurs mesurent les pulsations chaque fois que l'utilisateur touche les deux capteurs simultanément. Pour que la mesure des pulsations soit fiable, il faut que la peau touche les capteurs de manière continue et que la peau en contact avec les capteurs soit légèrement humide. Une peau trop sèche et une peau trop humide réduisent la fiabilité du pulsomètre.

ZONES DE POULS

Déterminez d'abord votre rythme cardiaque maximum c'est à dire le rythme à partir duquel le pouls n'augmente plus, même si l'effort est accru. Si vous ne connaissez pas votre pouls maximum, utilisez ces formules indicatives :

220 - ÂGE

Notez bien que c'est une valeur moyenne et que les maxima varient d'une personne à l'autre. Le pouls maximum diminue, en moyenne, d'une pulsation par année. Si vous faites partie d'un des groupes «à risque», consultez un médecin pour qu'il mesure votre pouls maximum. Nous avons déterminé trois zones de pouls pour vous aider dans vos entraînements soumis à un objectif.

DÉBUTANT • 50-60 % du pouls maximum

Ce niveau convient aussi aux personnes désirant perdre du poids ou n'ayant pas pratiqué d'activité physique depuis longtemps ainsi qu'aux convalescents. Il est recommandé de s'entraîner au moins une demi-heure trois fois par semaine. Un exercice régulier améliore, de façon décisive, les performances respiratoires et circulatoires du débutant et les effets d'une meilleure forme sont très vite ressentis.

ENTRAÎNEMENT • 60-70 % du pouls maximum

Ce niveau est parfait pour l'amélioration et le maintien d'une bonne condition physique. Il permet de renforcer le coeur et les poumons tout en respectant un effort raisonnable. S'entraîner au moins trois fois par semaine pendant une demi-heure minimum. Pour progresser davantage,

augmentez soit la fréquence soit la durée des séances mais pas les deux en même temps !

ENTRAÎNEMENT ACTIF • 70-80 % du pouls maximum

L'exercice à ce niveau ne convient qu'aux personnes en excellente condition physique et suppose un entraînement antérieur de longue date.

UNITE DES COMPTEURS



BOUTONS

1. BOUTON CENTRAL DE SELECTION

Le bouton central de sélection s'utilise de deux façons :

A) Par rotation (+ / -). Tournez le bouton dans le sens des aiguilles d'une montre pour faire défiler les menus vers la droite et augmenter les valeurs ou la résistance. Tournez le bouton dans le sens inverse des aiguilles d'une montre pour faire défiler le menu vers la gauche et réduire les valeurs ou la résistance.
B) Par pression (ENTER). Appuyez sur le bouton pour valider la sélection que vous avez effectuée en le tournant.

2. START/STOP.

Cette touche permet de démarrer, d'interrompre ou d'arrêter l'entraînement. Pendant l'entraînement, appuyez une fois sur ce bouton pour interrompre le programme et appuyez de nouveau pour le redémarrer.

3. RESET

Un simple pression retourne au menu des programmes et une pression plus longue redémarre le compteur.

4. RECOVERY

Cette touche permet de calculer votre indice de récupération de fréquence cardiaque.

5. BODY FAT

Cette touche permet de calculer votre indice de masse corporelle (IMC) et affiche le pourcentage de votre masse grasse.

AFFICHAGE

Temps (min:sec), vitesse (km/h ou ml/h), RPM (tour par min), distance (km ou ml), énergie dépensée (kcal), puissance (W) et fréquence cardiaque (bpm) sont affichés.

PROGRAMMES

1. PROGRAMME MANUAL

Sélectionnez vos objectifs pour la durée et/ou la distance et/ou l'énergie dépensée et/ou la limite supérieure de votre fréquence cardiaque en utilisant le BOUTON CENTRAL DE SELECTION.

Commencez l'entraînement en appuyant sur le bouton START/STOP.

Si vous avez défini un ou plusieurs objectifs, le compteur démarre. Réglez la résistance à l'aide du BOUTON CENTRAL DE SELECTION.

2. PROGRAMMES PREENREGISTRES

Le profil des programmes préenregistrés s'affiche en l'espace de deux secondes lorsque vous parcourez les programmes. Sélectionnez le programme voulu à l'aide du BOUTON CENTRAL DE SELECTION.

Réglez la durée de votre entraînement et/ou sélectionnez vos objectifs pour la distance et/ou l'énergie dépensée et/ou la limite supérieure de votre fréquence cardiaque en utilisant le BOUTON CENTRAL DE SELECTION.

Commencez l'entraînement en appuyant sur le bouton START/STOP.

Si vous avez défini un ou plusieurs objectifs, le compteur démarre. Pendant l'entraînement, vous pouvez régler la charge à l'aide du BOUTON CENTRAL DE SELECTION.

3. PROGRAMME USER

Le dernier profil de programme utilisé s'affiche. Vous pouvez commencer à vous entraîner avec vos objectifs personnels d'entraînement mémorisés en appuyant sur START/STOP ou bien modifier le programme. Lorsque la barre (1/20) clignote, le profil du programme peut être modifié. Si vous souhaitez apporter des modifications, modifiez la barre et confirmez. La barre suivante clignote. Une fois la dernière barre atteinte, l'affichage repasse à la première barre. Pour terminer la modification du profil, appuyez sur le bouton ENTER pendant 2 secondes. Le programme a mémorisé vos données d'entraînement personnelles (durée, distance, énergie et fréquence cardiaque). Modifiez vos objectifs si besoin est. Commencez l'entraînement en appuyant sur le bouton START/STOP.

Si vous avez défini un ou plusieurs objectifs, le compteur démarre. Pendant l'entraînement, vous pouvez régler la charge à l'aide du BOUTON CENTRAL DE SELECTION.

4. TARGET HR

Sélectionnez votre intensité d'entraînement ; vous

avez le choix entre 55%, 75%, 90% ou TARGET. Choisir TARGET vous permet de définir votre objectif de fréquence cardiaque.

Commencez l'entraînement en appuyant sur le bouton START/STOP.

Pendant l'entraînement, l'appareil ajustera automatiquement la résistance afin que vous atteigniez l'objectif fixé.

5. CONSTANT WATT

Sélectionnez la puissance à atteindre (en watts) et sélectionnez vos objectifs pour la durée et/ou la distance et/ou l'énergie dépensée et/ou la limite supérieure de votre fréquence cardiaque en utilisant le BOUTON CENTRAL DE SELECTION.

Commencez l'entraînement en appuyant sur le bouton START/STOP.

Si vous avez défini un ou plusieurs objectifs, le compteur démarre. Pendant l'entraînement, l'appareil ajustera la résistance selon votre vitesse de pédalage afin que vous atteigniez la puissance voulue. Vous pouvez modifier votre objectif de puissance grâce au BOUTON CENTRAL DE SELECTION.

6. RECOVERY

Une fois l'entraînement terminé, calculez votre indice de récupération en appuyant sur le bouton RECOVERY. Votre indice de récupération peut être calculé seulement si la mesure de votre fréquence cardiaque est activée et que sa valeur s'affiche.

Cette mesure dure 60 secondes. Après une minute, votre indice de récupération s'affiche à l'écran, F1-F6 (F1 étant le meilleur résultat). Pour revenir au menu principal, appuyez de nouveau sur le bouton RECOVERY.

7. BODY FAT

Appuyez sur le bouton BODY FAT pour lancer la mesure. Maintenez les deux mains sur les poignées pendant 8 secondes. Le compteur affichera le symbole de masse grasse, en % et votre IMC pendant 30 secondes.

REGLAGE DES DONNEES UTILISATEUR

Juste après avoir relancé le compteur ou réinitialisé (pression longue), vous accédez au menu utilisateur. Sélectionnez l'utilisateur, puis confirmez. Indiquez vos sexe, âge, taille et poids. Confirmez à l'aide du bouton central de sélection. Les objectifs personnels d'entraînement (durée, distance, énergie et fréquence cardiaque) sont mémorisés et chargés par défaut chaque fois que l'utilisateur est sélectionné. Si vous apportez des modifications à vos données d'entraînement, elles seront automatiquement prises en compte.

REMARQUES SUPPLEMENTAIRES

1. Pour la vitesse et la distance, vous avez le choix entre les unités métriques ou anglaises. Utilisez l'interrupteur KM/ML situé au dos du compteur.

Pour effectuer cette modification, le cordon d'alimentation doit être rebranché.

2. Si vous ne vous entraînez pas et si vous n'appuyez sur aucun bouton, le compteur passe en mode veille après 4 minutes. La température ambiante s'affiche.

3. Vous pouvez interrompre l'entraînement pendant 4 minutes maximum en appuyant sur le bouton START/STOP. Appuyez de nouveau sur cette touche pour reprendre la séance d'entraînement interrompue avec les mêmes paramètres.

4. Pour saisir vos objectifs d'entraînement (durée, distance, énergie, fréquence cardiaque), l'appareil doit être en mode STOP (c'est-à-dire pas pendant l'entraînement).

5. Si vous ne souhaitez pas modifier vos données à chaque début d'entraînement, appuyez sur START/STOP pour ignorer la modification des données. Vous débuterez votre séance en mode manuel.

6. Cet appareil ne peut être utilisé à des fins thérapeutiques.

7. La dépense énergétique est calculée selon des valeurs moyennes. Elle s'affiche en kilocalories ; pour la convertir en joules, utilisez la formule $1 \text{ kcal} = 4,187 \text{ kJ}$.

8. Si vous vous entraînez avec un dispositif permettant de mesurer la fréquence cardiaque (ceinture thoracique ou capteurs au niveau des poignées), vous pouvez définir la limite supérieure de votre fréquence cardiaque. Si vous dépassez ce seuil pendant l'entraînement, le compteur émet un signal d'alarme.

9. Les programmes préenregistrés sont divisés en 16 étapes. La durée d'une étape dépend de la durée définie pour la totalité de l'entraînement. Si aucune durée n'est définie, la durée d'une étape est fixée à 100 m en distance.

10. Si vous avez défini plusieurs objectifs, un signal est émis et l'entraînement s'arrête automatiquement lorsque chacun atteint zéro. Pour poursuivre la séance, appuyez sur START/STOP.

11. Veuillez noter que l'indice de récupération dépend de la fréquence cardiaque au début et à la fin de la mesure.

12. Dans les programmes HRC, les zones cibles de fréquence cardiaque (55%, 75% et 90%) sont calculées sous forme de pourcentage à partir de la fréquence cardiaque fonction de l'âge (formule : $\text{rythme cardiaque maximum} = 220 - \text{âge}$).

13. Au cours d'un programme HRC, la résistance s'adapte automatiquement. Elle augmente toutes les 30 secondes et elle diminue toutes les 15 secondes, si besoin est.

14. La valeur de BODY FAT est une mesure personnelle et le résultat dépend des valeurs moyennes de la population européenne.

Tableau d'IMC (indice de masse corporelle):
 MAIGREUR < 20
 MAIGREUR / NORMAL 20 – 24
 NORMAL 24 - 26,5
 NORMAL / OBESITE > 26,5
 Formule de l'IMC = MASSE (kg) / taille² (m)

Tableau de la MASSE GRASSE (valeur moyenne de la population européenne):

Homme:
 MAIGREUR < 13
 MAIGREUR / NORMAL 13 – 26
 NORMAL 26 – 30
 NORMAL / OBESITE > 30

Femme:
 MAIGREUR < 23
 MAIGREUR / NORMAL 23 – 36
 NORMAL 36 – 40
 NORMAL / OBESITE > 40

MAINTENANCE

L'appareil ne requiert qu'un minimum de maintenance. Vérifiez, de temps en temps, que tous les écrous et vis sont serrés.

- Après s'être exercé, séchez toujours l'appareil avec un tissu mou et absorbant. N'utilisez pas de détergent.
- N'enlevez jamais les capots protecteurs de l'appareil.
- Le frein électromagnétique forme un champ magnétique capable d'endommager le mécanisme d'une montre ou la bande magnétique des cartes bancaires ou de crédit, si ceux-ci entrent en contact immédiat avec les aimants. Ne tentez jamais de détacher ou d'enlever le frein électromagnétique!
- Le frein électromagnétique est basé sur la résistance électromagnétique; le niveau et de résistance est électroniquement mesuré et indiqués en watt sur l'affichage. Par conséquent votre ergomètre Tunturi n'a pas besoin d'être recalibré une fois assemblé, entretenu et utilisé selon ce guide d'exercice.

DEFAUTS DE FONCTIONNEMENT

En dépit d'un contrôle continu de la qualité, l'appareil peut présenter des défauts ou des anomalies de fonctionnement provenant de certains de ses composants. Dans ce cas, il n'est pas cependant nécessaire d'aller faire réparer votre appareil, le problème pouvant bien souvent être résolu par simple changement de la pièce défectueuse.

Contactez votre distributeur au cas où vous remarqueriez un défaut ou un mauvais fonctionnement de votre l'appareil ou si vous avez

besoin de pièces de rechange. Indiquez-lui la nature du problème, les conditions d'utilisation, la date d'achat, le modèle et le numéro de série.

Vous trouverez la liste des pièces détachées à la fin de ce mode d'emploi. Seules des pièces mentionnées dans la liste des pièces de rechange peuvent être utilisées dans l'appareil.

TRANSPORT ET RANGEMENT

Le CF35 est équipé de roulettes de transport. Déplacer le CF35 conformément aux instructions ci-dessous afin d'éviter les éventuelles situations dangereuses.

Coupez toujours l'alimentation de votre appareil et débranchez le cordon secteur avant de déplacer l'appareil.

Deux adultes sont nécessaires pour déplacer l'équipement. Placez-vous à l'avant de l'équipement, des deux côtés de l'appareil et attrapez fermement les poignées, soulevez l'appareil de manière à ce que la partie arrière bascule sur les roulettes de transport. Déplacez l'appareil sur les roulettes de transport puis reposez-le au sol doucement. Placez une protection sous l'appareil.

Transporter l'appareil avec l'attention extrême au-dessus des surfaces inégales, par exemple au-dessus d'une marche. L'appareil ne doit jamais être transporté dans les escaliers à l'aide des roulettes de transport, au lieu de cela il doit être porté. Le déplacement de l'équipement peut abîmer certains revêtements de sol, par ex. les parquets en bois. Dans ce cas, veillez à protéger le sol.

Pour garantir un bon fonctionnement à votre appareil, rangez-le dans un endroit sec, sans variations de température importantes, et protégez-le contre les poussières. N'oubliez pas de débrancher votre appareil après chaque utilisation.

CARACTERISTIQUES TECHNIQUES

Longueur183 cm
Hauteur70 cm
Largeur170 cm
Poids69 kg

LCF35 est conforme aux normes des directives EMC de l'UE concernant la compatibilité électromagnétique (89/336/CEE) et les appareils électriques destinés à une utilisation dans certaines limites de tensions (73/23/CEE). Ce produit porte, en conséquence, la marque CE.

CF35 est conforme à la norme EN-957 pour les appareils d'entraînement fixes de fitness et c'est un équipement de classe de précision A. La précision de la mesure de puissance est contrôlée lors de la fabrication en réglant le frein de l'appareil à l'aide d'un dynamomètre. Le calcul de la puissance d'exercice est basé sur la vitesse de tour et le moment.

Du fait de sa politique de développement continu des produits, Tunturi se réserve le droit de modifier les spécifications sans préavis.

ATTENTION ! La garantie ne couvre pas les dommages dus à une négligence des instructions d'assemblage, de réglages ou de maintenance données dans ce mode d'emploi. Suivez les instructions scrupuleusement pour l'assemblage, l'utilisation et la maintenance de votre équipement. Des changements ou modifications non expressément approuvés par Tunturi Oy Ltd rendront nulle l'autorité de l'utilisateur sur l'équipement.

**NOUS VOUS SOUHAITONS D'AGRÉABLES
ET NOMBREUSES SÉANCES D'EXERCICE
AVEC VOTRE NOUVEAU PARTENAIRE
D'ENTRAÎNEMENT TUNTURI !**

INHOUD

OPMERKINGEN EN ADVIEZEN.....	23
HET MONTEREN.....	52
CONDITIETRAINEN.....	24
MONITOR.....	25
ONDERHOUD.....	27
VERPLAATSEN.....	28
TECHNISCHE GEGEVENS.....	28

OPMERKINGEN EN ADVIEZEN

Deze gids is een essentieel onderdeel van uw crosstrainer. Lees deze gids zorgvuldig door vóóordat u begint met monteren, gebruiken of onderhouden van uw crosstrainer. Bewaar de gids op een handige plaats. U kunt er, nu en in de toekomst, nuttige informatie uithalen die u nodig heeft voor het gebruik en het onderhoud van de apparatuur. Volg de instructies altijd met zorg op.

GEZONDHEID

- Laat uw conditie door uw huisarts controleren voordat u begint met trainen.
- Bij misselijkheid, duizeligheid of andere abnormale symptomen moet u direct stoppen met de training en een arts raadplegen.
- Om spierpijn te voorkomen, begint u de training met een warming up en sluit u die af met cooling-down langzaam peddelen met geringe weerstand). U sluit de training af met stretch oefeningen.

DE TRAININGSRUIMTE

- Plaats de trainer op een vlakke en stevige ondergrond. Bescherm de vloer onder de trainer tegen beschadiging.
- Zorg voor voldoende ventilatie tijdens de training, maar zorg dat u niet op de tocht zit.
- Tijdens de training is de toegestane gebruikstemperatuur tussen +10° en +35°C; voor opslag gelden de temperaturen tussen -15° en +40°C. De luchtvochtigheid in de trainings- of opslagruimte mag nooit hoger dan 90 % zijn.

HET GEBRUIK VAN DE TRAINER

- Ouders en verzorgers van kinderen moeten er rekening mee houden dat kinderen speels zijn en graag alles uitproberen. Dit kan ertoe leiden dat de trainer wordt gebruikt op een manier waarvoor deze niet bedoeld is. Als kinderen de trainer mogen gebruiken moet u als ouder of verantwoordelijke rekening houden met de lichamelijke en psychische ontwikkeling en vooral de aard van het kind. Vertel kinderen duidelijk hoe de trainer moet worden gebruikt en houd toezicht. De trainer is geen geval bedoeld als speelgoed.
- Controleer voor de training of het apparaat goed functioneert. Train nooit op een defect apparaat.

- De trainer mag uitsluitend door één persoon tegelijk gebruikt worden.
- Pak bij het op- en afstappen de vaste handsteun vast.
- Draag tijdens de training de juiste kleding en geschikte schoenen.
- Gebruik de trainer alleen als alle afschermingen en omkastingen geplaatst zijn.
- Voer alleen die onderhoudsverrichtingen en afstellingen uit die in deze handleiding beschreven zijn. Volg de onderhoudsinstructies van de handleiding nauwkeurig op.
- Gebruik de trainer uitsluitend voor het doel waarvoor deze is gemaakt en zoals hierna beschreven wordt.
- Zorg ervoor dat de monitor niet met water in aanraking komt. Veeg de monitor altijd af met een zachte en absorberende doek als er zweetdruppels op gevallen zijn. Reinig de monitor niet met oplosmiddelen.
- Druk op de toetsen met uw vingertoppen; nagels kunnen de toetsmembranen beschadigen.
- Houd de monitor uit de zon; door zonlicht kunnen kleuren van de monitor verbleken.
- De trainer is geschikt voor personen met een lichaamsgewicht tot maximaal 150 kg.
- Nadere informatie over de garantie op uw trainingstoestel vindt u in het bijgesloten garantieboekje. De garantie vervalt bij schade ontstaan tijdens de verzending of door het niet volgen van de in deze handleiding gegeven instructies betreffende het monteren, afstellen en onderhoud van het apparaat.

OPMERKING OVER VEILIGHEID BIJ UNITS MET ELEKTRISCHE STROOMTOEVOER

Voordat het apparaat wordt aangesloten op het elektriciteitsnetwerk moet u ervoor zorgen dat het plaatselijke voltage past bij het voltage dat staat aangegeven op de typeplaat: het apparaat werkt op 230 V of 115 V (Noord-Amerikaanse versie). BELANGRIJK! Het apparaat moet worden aangesloten op een geaarde wandcontactdoos. Gebruik geen verlengsnoeren bij het aansluiten van de apparatuur op het elektriciteitsnetwerk. Schakel altijd de stroom uit en verwijder de stekker van het apparaat altijd onmiddellijk na het trainen uit het stopcontact!

Om het risico op brandwonden, brand, elektrische schok of verwondingen bij mensen te beperken:

1. De apparatuur mag nooit onbemand worden achtergelaten als deze is aangesloten op het elektriciteitsnetwerk. Verwijder de stekker van het apparaat altijd uit het stopcontact wanneer het apparaat niet wordt gebruikt, vóór het uitvoeren van onderhoudswerkzaamheden of reparaties en wanneer het apparaat wordt verplaatst.
2. Gebruik het apparaat niet als dit is afgedekt onder een deken of ander brandbaar materiaal. Dit kan oververhitting en brand, elektrische schokken of verwondingen veroorzaken.

3. Sluit het apparaat niet aan op een stroombron, of gebruik het apparaat niet als er enige sprake is van beschadiging van het elektriciteitssnoer of het apparaat zelf.
4. Sluit het apparaat niet aan op een stroombron of gebruik het apparaat niet in de buitenlucht of op vochtige locaties.
5. Houd het elektriciteitssnoer uit de buurt van hete voorwerpen.
6. Laat het elektriciteitssnoer niet onder het tapijt doorlopen en plaats geen voorwerpen op het snoer. Zorg er ook voor dat het snoer niet onder het apparaat door loopt.
7. Maak geen aanpassingen aan het snoer (bijvoorbeeld verlengen) tussen de transformator en het apparaat.

OPMERKING OVER HET MONTEREN VAN HET APPARAAT

Begin met het uitpakken van de apparatuur. De gedetailleerde montage-instructies vindt u achter in deze gids. Volg de instructies in de volgorde die wordt aangegeven.

Controleer de inhoud van het pakket voordat u begint met de montage. Als er een onderdeel ontbreekt, neem dan contact op met de dealer. Vermeld het model, het serienummer van het apparaat en het nummer van het ontbrekende onderdeel. Achter in deze gids vindt u de onderdelenlijst. De inhoud van het hardwarepakket is aangegeven met een * in de lijst met onderdelen. De aanwijzingen 'links', 'rechts', 'voor' en 'achter' zijn gegeven vanuit de gebruikspositie van het apparaat. Bewaar het montagegereedschap; mogelijk heeft u het later nodig, bijvoorbeeld voor het afstellen van het apparaat. NB: voor de montage zijn twee mensen nodig.

De verpakking bevat een zakje met silicaatkorrels dat de apparatuur tijdens opslag en transport heeft beschermd tegen vocht. Dit zakje kan na het uitpakken van het apparaat worden weggegooid. Houd rondom de apparatuur ten minste een bewegingsruimte van 100cm. Wij raden u ook aan om het pakket uit te pakken en het product te monteren op een beschermde ondergrond.

WELKOM IN DE WERELD VAN

TUNTURI TRAINING!

Uw keuze toont aan, dat u echt in uw gezondheid en conditie wilt investeren. Het bewijst ook, dat u kwaliteit en stijl belangrijk vindt en waardeert. Met deze Tunturi crosstrainer heeft u een veilig, motiverend kwaliteitsproduct als trainingspartner gekozen. Wat uw trainingsdoel ook is, wij zijn ervan overtuigd dat de keuze van deze trainer de juiste is om uw doel te bereiken. Meer informatie over het gebruik van uw trainingsapparatuur en efficiënte training kunt u vinden op Tunturi's website [WWW](http://www.tunturi.nl).

TUNTURI.NL.

CONDITIETRAINEN

Trainen op een fietstrainer is een uitstekende aërobie oefening, die in principe licht maar langdurig van aard is. Aërobie inspanning vergroot het zuurstof opnamevermogen van het lichaam, waardoor uithoudingsvermogen en de conditie verbeteren. Door de verbeterde zuurstofopname neemt ook het vet verbrandings vermogen van het lichaam toe. Een fietlichaam verbrandt dus ook in rust meer vet. Aërobie training is bovenal aangenaam. Transpireren is uitstekend, maar het is niet de bedoeling dat u buiten adem raakt. Tijdens de training kunt u nog normaal spreken, u gaat dus niet hijgen. Om een goede basisconditie op te bouwen moet u minstens drie keer per week dertig minuten trainen. Om een bepaald conditieniveau te handhaven zijn enkele trainingen per week voldoende. De conditie kan eenvoudig verder worden verbeterd door het aantal trainingen per week te verhogen.

TRAINEN OM AFTEVALLEN

Omdat inspanning de enige manier is om het energieverbruik (vetverbranding) van het lichaam te verhogen, wordt u voor uw training beloond met gewichtsverlies. Zeker als u de training combineert met gezonde voeding. Wie wil afvallen kan het best beginnen met een dagelijkse training van ongeveer dertig minuten en dat geleidelijk opbouwen tot hooguit een uur. Zeker bij overgewicht is het verstandig om altijd in een rustig tempo en met weinig weerstand te beginnen om het hart- en vaatsysteem niet te zwaar te belasten. Als de conditie beter wordt, kunnen trapsnelheid en weerstand geleidelijk worden verhoogd. De doelmatigheid van een training is te controleren aan de hand van de hartslag. Met de hartslagmeter kunt u de hartslag tijdens de training eenvoudig meten en zo controleren of de training voldoende effectief is zonder dat het lichaam te zwaar wordt belast.

TRAININGS NIVEAU

Hartslag kan telemetrisch worden gemeten. De CF35 hebben een ingebouwde hartslagontvanger. De hartslag borstband is als accessoire verkrijgbaar bij uw Tunturi dealer.

Dit is het meest betrouwbare systeem, dat werkt met een borstband met meerdere elektrodes waarvan de gemeten waarden draadloos doorgeseind worden naar de monitor. Als u een pacemaker gebruikt, mag u de borstband alleen met toestemming van een arts gebruiken. Wanneer u uw hartslag tijdens de training op deze manier wilt controleren, moeten de geribbelde elektroden aan de binnenzijde van de borstband vochtig gemaakt worden (water).

Plaats de zender juist onder de borst met de elastische band strak genoeg om tijdens het peddelen de elektroden contact te laten houden met de huid, maar niet zo strak dat normaal ademen wordt belemmerd. De zender geeft de

hartslag automatisch door aan de monitor die zich niet verder dan één meter van de borstband mag bevinden. Wanneer de zender verder van de monitor verwijderd is, wordt het signaal te zwak om te ontvangen. Let er ook op dat niet meerdere personen met een borstband om, binnen een straal van één meter rond de monitor staan, want de monitor ontvangt dan van elke elektrode een signaal en telt deze dan bij elkaar op.

Denkt u eraan wat de trainingskleding betreft, dat bepaalde in de kleding gebruikte vezels (zoals polyester of polyamide) statische electriciteit veroorzaken, wat bij de hartslagmeting problemen veroorzaken kan. Denkt u eraan dat mobiele telefoons, een teevee of andere elektronische apparaten een electromagnetisch veld om zich heen vormen, wat bij de hartslagmeting problemen veroorzaken kan.

HARTSLAGMETING MET HANDSENSOREN

De hartslag wordt gemeten door middel van twee sensoren op de stuurstang. Wanneer beide handen op de sensoren rusten, toont de display de hartslag van dat moment. Een te droge of te vochtige huid verzwakken het functioneren van de polsslagmeting.

Het beste resultaat bereikt u om uw algehele fitness te verbeteren door, efficiënt, niet te zwaar en niet te licht te trainen. Deze manier van trainen wordt aërobe- of uithoudingstraining, genoemd. Tijdens de training produceert uw lichaam de energie die nodig is om vet met behulp van zuurstof te verbranden. Hierdoor vermindert de hoeveelheid vetweefsel in uw lichaam. Wat uw doel, uw streven ook met het trainen is, u bereikt het beste resultaat door te trainen op een niveau dat u aankunt. Daarvoor is, zoals gezegd, uw hartslag de beste graadmeter. Om te beginnen dient u te weten wat uw maximale hartslag is: dit is de hartslag die bij méér inspanning niet meer hoger wordt. Als u niet weet wat uw maximale hartslag is, kunt u de volgende formule als leidraad nemen:

220 - DE LEEFTIJD

Dit zijn gemiddelde waarden en het maximum varieert van persoon tot persoon. De maximale hartslag daalt per jaar met gemiddeld één punt. Als u tot de eerder genoemde risicogroepen behoort, vraag dan een arts om de juiste hoogte van uw maximale hartslag. Om u te helpen met uw training, hebben wij drie verschillende hartslag niveaus geselecteerd.

BEGINNER • 50 tot 60 % van de maximale hartslag

Dit niveau is ook geschikt voor mensen die lijnen, mensen die herstellende zijn van een ziekte en mensen die lang niet getraind hebben. Drie trainingen van tenminste een halfuur per week zijn aan te bevelen. Regelmatig trainen stimuleert bij een beginner de ademhaling en bloedsomloop in sterke mate en zorgt al snel voor een merkbaar resultaat.

MIDDELMATIGE • 60 tot 70 % van de maximale hartslag

Een perfect niveau om fitness te verbeteren en op peil te houden. Zelfs een redelijk normale inspanning - minimaal 3 trainingen van 30 minuten per week - heeft een positief effect op hart en longen. Om uw conditie verder te verbeteren kunt u het aantal keren trainen per week verhogen of de duur van uw training verlengen. Verhoog echter nooit beide tegelijkertijd!

GEVORDERDE • 70 tot 80 % van de maximale hartslag

Trainen op dit niveau is alleen weggelegd voor wie écht fit is en wie gewend is aan langdurige uithoudingsvermogen, trainingen. Rust is in een fitness programma net zo belangrijk als de trainingen zelf. Traint u bijvoorbeeld drie weken achter elkaar zeer regelmatig, dan is het goed om het de week daarna wat rustiger aan te doen.

MONITOR



KNOPPEN

1. KEUZEWIEL

U kunt het keuzewiel op twee manieren gebruiken:
A) Draaien aan het wiel (+/-). Door het wiel rechtsom te draaien, kunt u menu's naar rechts schuiven en de waarden of de weerstand verhogen. Door het wiel linksom te draaien, kunt u menu's naar links schuiven en de waarden of de weerstand verlagen.
B) Het wiel indrukken (ENTER). Door het wiel in te drukken, kunt u de keuze bevestigen die u eerder hebt gemaakt door aan het wiel te draaien.

2. START/STOP

Hiermee wordt de training gestart, gepauzeerd en beëindigd. Tijdens de training kunt u, door één keer op deze knop te drukken, de Pauze-stand activeren. Als u opnieuw op de knop drukt, gaat het programma weer verder.

3. RESET

Eén keer kort indrukken: hiermee keert u terug naar het programmamenu. Lang indrukken: hiermee wordt de meter opnieuw gestart.

4. RECOVERY

Berekent de index van uw herstelhartslag.

5. BODY FAT

Berekent uw 'body mass index' (BMI) en laat het percentage lichaamsvet zien.

BEELDSCHERM

Tijd (mm:ss), snelheid (km/u of ml/u), RPM (omwentelingen per min.), afstand (km of ml), energieverbruik (kcal), vermogen (W) en hartslag (slagen per minuut) worden getoond.

PROGRAMMA'S**1. MANUAL PROGRAMMA**

Stel een streeftijd en/of -afstand en/of -energieverbruik en/of bovenste hartslaggrens in door middel van het KEUZEWIEL.

Start de training door de START/STOP-knop in te drukken.

Als u streefdoelen/streefdoelen heeft ingesteld, dan zullen die streefdoelen/streefdoelen beginnen met aftellen. De weerstand kunt u instellen met het KEUZEWIEL.

2. VOORGEPROGRAMMEERDE PROGRAMMA'S

Het profiel van het voorgeprogrammeerde programma wordt gedurende twee seconden getoond terwijl u door de programma's bladert. Selecteer het gewenste voorgeprogrammeerde programma met behulp van het KEUZEWIEL. Stel een trainingstijd en/of streefafstand en/of -energieverbruik en/of bovenste hartslaggrens in door middel van het KEUZEWIEL.

Start de training door de START/STOP-knop in te drukken.

Als u streefdoelen/streefdoelen heeft ingesteld, dan zullen die streefdoelen/streefdoelen beginnen met aftellen. Tijdens de training kunt u de weerstand aanpassen door gebruik te maken van het KEUZEWIEL.

3. USER PROGRAMMA

Het programmaprofiel dat als laatste is gebruikt, verschijnt in beeld. U kunt beginnen met trainen volgens uw persoonlijke trainingsstreefdoelen die in het geheugen zijn opgeslagen (door de START/STOP-knop in te drukken), of u kunt het programma aanpassen. De balk met het programmaprofiel (1/16) dat nu kan worden aangepast, knippert. Als u het programma wilt aanpassen, pas dan de instellingen in de knipperende balk aan en bevestig uw keuze. Vervolgens gaat de volgende balk knipperen. Na de laatste balk verschijnt de eerste balk weer op het scherm. Door 2 seconden lang de ENTER-knop ingedrukt te houden, voltooit u de aanpassingen in het profiel. Nu is het programma ingesteld met uw opgeslagen persoonlijke

trainingsgegevens (streefdoelen voor tijd, afstand, energieverbruik en hartslaggrens). U kunt uw streefdoelen naar behoefte aanpassen. Start de training door de START/STOP-knop in te drukken. Als u streefdoelen/streefdoelen heeft ingesteld, dan zullen die streefdoelen/streefdoelen beginnen met aftellen. Tijdens de training kunt u de weerstand aanpassen door gebruik te maken van het KEUZEWIEL.

4. TARGET HR

Kies één van de vier verschillende trainingsintensiteiten (55%, 75%, 90% of TARGET).

Als u TARGET kiest, dan kunt u een streefdoel voor uw hartslag invoeren.

Start de training door de START/STOP-knop in te drukken.

Tijdens de training zal de apparatuur automatisch de weerstand aanpassen, zodat uw streefdoel kan worden bereikt en vastgehouden.

5. CONSTANT WATT

Stel een streefdoel in voor het vermogen in watt en een streeftijd en/of -afstand en/of -energieverbruik en/of bovenste hartslaggrens door middel van het KEUZEWIEL.

Start de training door de START/STOP-knop in te drukken.

Als u streefdoelen/streefdoelen heeft ingesteld, dan zullen die streefdoelen/streefdoelen beginnen met aftellen. Tijdens de training zal de apparatuur automatisch de weerstand aanpassen, afhankelijk van uw trapsnelheid, zodat het streefdoel voor het vermogen wordt bereikt en vastgehouden. U kunt het streefvermogen veranderen met het KEUZEWIEL.

6. RECOVERY

Begin met de herstelberekening na de training. Druk hiervoor op de RECOVERY-knop. De berekening van de herstelhartslag kan alleen worden gestart als de hartslagmeting is ingeschakeld en de hartslagwaarde wordt getoond op het scherm. Deze meting duurt 60 seconden. Na 60 seconden verschijnt op het scherm uw herstelindex op een schaal van F1 tot F6 (F1 = beste resultaat). Om terug te keren naar het hoofdmenu drukt u één keer op de RECOVERY-knop.

7. BODY FAT

Druk op de BODY FAT-knop om te beginnen met de meting. Houd beide handen op de handgrepen en wacht gedurende 8 seconden. De meter toont gedurende 30 seconden het adviessymbool voor lichaamsvet, het percentage lichaamsvet en de BMI.

GEBRUIKERSGEGEVENS INSTELLEN

Net na het herstarten van de meter of het terugzetten van de meter (lang ingedrukt houden), kunt u het gebruikersmenu binnengaan. Selecteer de gebruiker en bevestig uw keuze. Stel uw geslacht, leeftijd, lengte en gewicht in.

Bevestig uw keuze met het keuzewiel. Gegevens over persoonlijke trainingsstreefdoelen (tijd, afstand, energieverbruik, hartslaggrens) zullen worden opgeslagen in het geheugen en standaard worden opgehaald wanneer de betreffende gebruiker wordt geselecteerd. Als u uw persoonlijke trainingsgegevens aanpast, zullen deze veranderingen automatisch in het geheugen worden opgeslagen.

AANVULLENDE OPMERKINGEN

1. Voor het instellen van de snelheid en afstand kunt u kiezen voor metrische of Engelse eenheden. Dit kunt u instellen door gebruik te maken van de KM/ML-schakelaar die zich aan de achterkant van de meter bevindt. Het elektriciteitsnoer moet opnieuw in het stopcontact worden gestoken om de verandering door te voeren.
2. Als u niet aan het trainen bent en er worden geen knoppen ingedrukt, dan schakelt de meter na ca. vier minuten automatisch over naar de slaapstand. Op het scherm wordt de kamertemperatuur weergegeven.
3. Als de START/STOP-knop wordt ingedrukt, wordt de training maximaal 4 minuten gepauzeerd. Als de knop daarna opnieuw wordt ingedrukt, kunt u doorgaan met de gepauzeerde trainingssessie en kunt u hierbij gebruik maken van de eerder gebruikte trainingsgegevens.
4. Het invoeren van trainingsstreefdoelen (tijd, afstand, energieverbruik, hartslaggrens) is alleen mogelijk wanneer het apparaat in de STOP-stand staat (niet tijdens de training).
5. Als u uw gebruikersgegevens niet steeds wilt veranderen als u begint met een training, druk dan op START/STOP om het bewerken van de gebruikersgegevens over te slaan. Op deze manier wordt de training begonnen in de handmatige stand (Manual).
6. Deze apparatuur kan niet worden gebruikt voor therapeutische doeleinden.
7. Het energieverbruik wordt berekend op basis van gemiddelde waarden. Het energieverbruik wordt weergegeven in kilocalorieën. Om dit om te rekenen in joules gebruikt u de volgende formule: 1 Kcal = 4,187 KJ.
8. Als u traint met een hartslagmeting (met een borstriem of hartslagmeter in de handgrepen), kunt u een maximale hartslaggrens instellen. Wanneer deze grens wordt overschreven tijdens het trainen, zal de meter een alarmsignaal afgeven.
9. Voorgeprogrammeerde programma's zijn verdeeld in 16 stappen. De duur van één stap is afhankelijk van de tijd die is ingesteld voor de hele training. Als er geen tijd is ingesteld, dan duurt één

stap 100 meter in afstand.

10. Als u streefdoelen heeft ingesteld die aftellen, dan klinkt er een signaal en wordt de training automatisch stopgezet wanneer een van de streefdoelen de nulwaarde bereikt. U kunt de training hervatten door te drukken op START/STOP.

11. NB: de herstelindex staat in verhouding tot de hartslagfrequentie, zowel aan het begin als aan het einde van de meting.

12. Bij het HRC-programma wordt het bereik van het hartslagstreefdoel (55%, 75% en 90%) berekend als percentage van de maximale hartslag zoals die geldt voor uw leeftijd (berekenningsformule: maximale hartslag = 220 – leeftijd).

13. De weerstand wordt tijdens het HRC-programma elke 30 seconden verhoogd en elke 15 seconden verlaagd, indien nodig.

BODY FAT is een persoonlijke meting. Het resultaat is gebaseerd op de gemiddelde waarden zoals die gelden voor de Europese bevolkingsgroep.

B.M.I. (Body Mass Index) tabel:

LAAG < 20

LAAG / GEMIDDELD 20 – 24

GEMIDDELD 24 - 26,5

GEMIDDELD / HOOG > 26,5

Formule voor BMI = gewicht (kg) / lengte² (m)

LICHAAMSVET % (gemiddelde Europese bevolking) tabel:

Man:

LAAG < 13

LAAG / GEMIDDELD 13 – 26

GEMIDDELD 26 – 30

GEMIDDELD / HOOG > 30

Wrouw:

LAAG < 23

LAAG / GEMIDDELD 23 – 36

GEMIDDELD 36 – 40

GEMIDDELD / HOOG > 40

ONDERHOUD

De Tunturi apparaten hebben weinig onderhoud nodig. Het is raadzaam om zo nu en dan te controleren of alle bouten en moeren nog goed vast zitten. U kunt het apparaat schoonhouden door het af te nemen met een vochtige doek. Gebruik echter geen oplosmiddelen.

- Verwijder de kunststof behuizing van het apparaat nooit!
- De elektromagnetische weerstand genereert een magnetisch veld dat bijvoorbeeld horloges of de magneetstrip op bank- en creditcards kan beschadigen als deze in direct contact komen met de magneten. Probeer daarom nooit het gedeelte

met de elektromagnetische weerstand te openen of te demonteren!

- Het elektromagnetische weerstand systeem is gebaseerd op het opwekken van elektromagnetische kracht. Het weerstand niveau en de veranderingen daarvan worden elektronisch gemeten en weergegeven, op het beeldscherm, in Watts. Hierdoor hoeft uw Tunturi fietscrosstrainer niet opnieuw gekalibreerd te worden wanneer deze gemonteerd, onderhouden of gebruikt wordt, geheel volgens de instructies in deze handleiding.

GEBRUIKSSTORINGEN

BELANGRIJK! Ondanks voortdurende kwaliteitscontroles, kunnen er defecten of storingen optreden die het gevolg zijn van het niet goed functioneren van onderdelen die in de looptrainer zijn gebruikt. In de meeste gevallen is het onnodig om het gehele apparaat ter reparatie aan te bieden, aangezien de storing meestal kan worden opgelost door het vervangen van het defecte onderdeel. Mochten er storingen optreden bij het gebruik van de trainer, neem dan onmiddellijk contact op met uw Tunturi dealer. Vermeldt daarbij altijd het model en het serienummer van uw Tunturi trainer, de eventuele storingscode en door wie de trainer is geïnstalleerd.

Indien u merkt dat er iets niet in orde is met de looptrainer, schakelt u direct de looptrainer uit door de aan- en uitknop in te drukken. Wacht vervolgens één minuut en schakel de looptrainer weer aan. Op deze manier moeten incidentele fouten hersteld zijn en kan de looptrainer opnieuw worden gebruikt. Indien de looptrainer na het aan- en uitschakelen door de aan- en uitknop nog steeds niet goed functioneert, neem dan contact op met uw Tunturi dealer voor onderhoud.

Vermeldt bij het bestellen van onderdelen het model, het serienummer van het apparaat en het nummer van het onderdeel. Op de laatste pagina's van deze gids vindt u de onderdelenlijst.

VERPLAATSEN

De CF35 is uitgerust met transportwielen. Verplaats de CF35 op de hieronder beschreven wijze om gevaarlijke situaties te vermijden.

Schakel bij het verplaatsen van het apparaat altijd eerst de elektriciteit uit en neem de stekker uit het stopcontact!

Voor het verplaatsen van het apparaat zijn twee volwassenen nodig, die zich aan beide zijden aan de voorkant van het apparaat opstellen en de handgrepen stevig vastpakken. U moet dan de voorkant van het apparaat zo optillen dat de achterkant steunt op de transportwielen.

Verplaats het apparaat met behulp van de transportwielen en laat het daarna voorzichtig

zakken.

BELANGRIJK! Extra voorzichtigheid is geboden bij het verplaatsen van de trainer over een oneffen vloer of over een drempel. Ook mag de trainer beslist nooit op de wielen over een trap gereden worden, in dit geval moet de trainer worden opgetild. Pas op dat de vloer niet beschadigt wanneer u het toestel verplaatst. Bescherm tere vloermaterialen zoals parketvloeren enz.

Plaats de trainer in een droge, stofvrije ruimte met minimale temperatuurverschillen om storingen te voorkomen.

TECHNISCHE GEGEVENS

Lengte183 cm
 Breedte.....70 cm
 Hoogte.....170 cm
 Gewicht69 kg

De CF35 voldoet aan de eisen van EUs EMC Directieven betreffende elektromagnetische compatibiliteit (89/336/EEC) en elektrische apparatuur ontworpen voor gebruik binnen bepaalde spanningslimieten (73/23/EEC). Daarom is dit product met de CE label voorzien.

De CF35 voldoet aan de EN-957-normen voor trainingsapparatuur, precisieklasse A. De nauwkeurigheid van de meting van het vermogen wordt tijdens het productieproces gecontroleerd door de rem van het apparaat af te stellen met een dynamometer. De berekening van het trainingsvermogen is gebaseerd op de toersnelheid en het moment.

De CF35 voldoet aan EN precisie- en veiligheidsnormen (Norm SA, EN-957, deel 1 en 9).

Tunturi is gerechtigd om specificaties te veranderen zonder daarover nader te berichten.

BELANGRIJK! De garantie vervalt bij schade als gevolg van het niet volgen van de instructies in deze gids betreffende het monteren, het instellen en het onderhouden van de apparatuur. De instructies dienen bij het in elkaar zetten, het onderhoud en het gebruik, zo zorgvuldig mogelijk te worden gevolgd. Veranderingen of modificaties, welke niet door Tunturi Oy Ltd zijn goedgekeurd, laten de Tunturi Oy Ltd product aansprakelijkheid geheel vervallen.

**WIJ WENSEN U VEEL PLEZIERIGE
 TRAININGEN MET UW NIEUWE TUNTURI
 TRAININGSPARTNER!**

INDICE

AVVERTENZE	29
MONTAGGIO	52
ALLENAMENTO	30
PANNELLO.....	31
MANUTENZIONE.....	33
TRASPORTO E IMMAGAZZINAGGIO	34
DATI TECNICI	34

AVVERTENZE

Questo libretto di istruzioni è una parte essenziale della tua attrezzatura da ginnastica. Leggi con attenzione quanto scritto in questa guida, prima del montaggio dei pezzi e prima di fare uso dell'attrezzo o di effettuarne qualunque manutenzione. Ti raccomandiamo pure di conservare la presente guida in un luogo sicuro e a portata di mano; essa ti fornirà, adesso e nel futuro, tutte le istruzioni necessarie all'uso e alla manutenzione della tua attrezzatura da ginnastica. Tali istruzioni devi seguirle sempre con molta attenzione!

AVVERTENZE SULLA VOSTRA SALUTE

- Prima di iniziare l'allenamento consultate un medico per controllare la vostra condizione fisica.
- Se avvertite disturbi, nausea o altri sintomi anormali durante l'esercizio, smettete immediatamente e consultate un medico.
- Onde evitare dolori muscolari, fate alcuni esercizi di stiramento prima dell'allenamento.

AVVERTENZE SULL'AMBIENTE

- L'attrezzo non è stato progettato per essere usato all'aperto.
- Posizionare l'attrezzo su una superficie la più piana possibile.
- Assicuratevi che l'ambiente dove vi allenate abbia ventilazione adeguata e non sia umido.
- Consigliamo di conservare l'attrezzo, quando in uso, a temperatura ambiente da +10 a +35°C. L'attrezzo può essere immagazzinato da -15 a +40°C. Il tasso d'umidità non deve mai superare il 90 %.

AVVERTENZE SULL'USO DELL'ATTREZZO

- Se si permette ai bambini di usare l'attrezzo, si deve sempre tenere conto del loro sviluppo fisico e mentale e del loro temperamento. Devono essere istruiti al corretto uso dell'attrezzo e controllati.
- Prima dell'uso assicuratevi che l'attrezzo funzioni correttamente. Non usate un attrezzo difettoso.
- Non appoggiarsi mai sul pannello.
- Premi i tasti con il polpastrello: le unghie possono danneggiare la membrana del display.
- Non usate mai l'attrezzo con carter smontati.
- Per evitare danni consigliamo di collocare l'attrezzo su una superficie protettiva.
- L'attrezzo può essere usato da una persona sola

alla volta.

Per salire e scendere dall'attrezzo, raccomandiamo di afferrare saldamente il manubrio fisso.

- Impugnate il manubrio per salire o scendere dall'attrezzo.
- Proteggi il pannello dell'utente dalla luce del sole. La superficie del pannello, se bagnata dal sudore, deve sempre essere asciugata.
- Indossate abbigliamento appropriato durante l'allenamento.
- Non tentate riparazioni e manutenzioni diverse da quelle descritte da questo manuale.
- L'attrezzo non può essere usato da persone, il cui peso superi i 150 kg.
- Per maggiori informazioni sulle condizioni di garanzia dell'attrezzo, consultare il libretto di garanzia allegato. La garanzia non copre danni derivati da negligenze derivate nelle regolazioni o nelle manutenzioni descritte in questo manuale!

NOTA SULLA SICUREZZA DELLE APPARECCHIATURE DOTATE DI COLLEGAMENTO ELETTRICO

Prima di collegare l'apparecchio a una sorgente di alimentazione, assicurarsi che il voltaggio locale corrisponda a quello indicato sulla targhetta: l'apparecchio funziona a 230 V o 115 V (versione nordamericana). **NOTA!** L'apparecchio va collegato a una presa di corrente con messa a terra. Non utilizzare prolunghe per collegare l'apparecchio alla sorgente di alimentazione. Spegnerne sempre l'interruttore e scollegare l'apparecchio dalla presa di corrente subito dopo l'uso!

Per ridurre il rischio di ustioni, incendi, scariche elettriche o danni alle persone:

1. Quando è collegato alla presa di corrente, l'apparecchio non va mai lasciato incustodito. Scollegare l'apparecchio dalla presa di corrente quando non è in uso, prima di eseguire operazioni di manutenzione o riparazione e prima di spostarlo.
2. Non utilizzare l'apparecchio sotto una coperta o altro materiale combustibile. La macchina potrebbe surriscaldarsi e provocare incendi, scariche elettriche o danni alle persone.
3. Non collegare l'apparecchio alla presa di corrente e non metterlo in funzione se il cavo di alimentazione o l'apparecchio stesso risultano danneggiati.
4. Non collegare l'apparecchio a una sorgente di alimentazione e non metterlo in funzione in ambienti esterni o luoghi umidi.
5. Tenere il cavo di alimentazione lontano da oggetti caldi.

6. Non far passare il cavo di alimentazione sotto tappeti e non appoggiare oggetti sul cavo. Assicurarsi anche che il cavo di alimentazione non passi sotto l'apparecchio.
7. Non alterare (ad esempio, allungare) il cavo fra il trasformatore e la macchina.

NOTA SUL MONTAGGIO DELL'APPARECCHIO

Disimballare l'apparecchio. Le istruzioni di montaggio dettagliate si trovano in fondo alla presente guida. Seguire le istruzioni nell'ordine indicato.

Prima di iniziare l'assemblaggio, controllare il contenuto della confezione. Se manca qualche parte, contattare il proprio rivenditore indicando modello, numero di serie dell'apparecchio e numero di ricambio della parte mancante. In fondo alla presente guida si trova un elenco dei ricambi. I componenti presenti nella confezione sono contrassegnati con un * nell'elenco dei ricambi. Le direzioni sinistra, destra, fronte e retro sono definite in rapporto alla posizione in cui si trova la persona durante l'allenamento. Conservare gli attrezzi di montaggio, perché potrebbero tornare utili, ad esempio per regolare l'apparecchio. Si tenga presente che per il montaggio sono necessarie due persone.

L'imballaggio è inclusivo di sacchetto riempito con silicati, per l'assorbimento dell'umidità quando si ripone l'apparecchio e durante il trasporto. Eliminare il sacchetto dopo il disimballaggio dell'apparecchio. Mantenere uno spazio di libero di almeno 1 mt. intorno all'apparecchio. Raccomandiamo inoltre di aprire la confezione e assemblare il prodotto su una base protettiva.

SEI BENVENUTO NEL MONDO DEGLI

ALLENAMENTI TUNTURI!

Hai fatto un'ottima scelta. Si vede che tieni alla tua forma fisica. Indubbiamente sei una persona esigente che richiede il meglio in quanto a qualità e stile. Nella Tunturi troverai il tuo partner ideale. Alta tecnologia, sicurezza e stimolo per sempre migliori prestazioni sono le sue caratteristiche. Qualunque sia il tipo di allenamento che intendi praticare, questo è lo strumento fatto per te. Nel fascicolo unito al tuo attrezzo Tunturi troverai le informazioni necessarie per un allenamento efficace. Puoi anche consultare il sito internet della Tunturi (**WWW.TUNTURI.COM**).

ALLENAMENTO

Pedalaré è un eccellente esercizio aerobico molto meglio se di bassa intensità ma di lunga durata.

L'allenamento aerobico migliora la capacità polmonare, che migliora la resistenza e la condizione fisica in generale. La capacità del corpo di bruciare grasso è direttamente dipendente alla

capacità di immissione dell'ossigeno. L'esercizio aerobico deve soprattutto essere divertente. Aumenta la respirazione ma non dovrete mai andare in debito di ossigeno durante l'allenamento. Dovreste ad esempio poter parlare senza problemi.

Dovreste allenare almeno tre volte la settimana per 30 minuti per raggiungere un discreto livello che per essere migliorato richiede solo l'incremento delle sessioni di allenamento. L'allenamento aerobico si accompagna anche alle diete perché è l'unico modo per incrementare l'energia spese dal corpo. Una persona chi si sottopone ad una dieta dovrebbe accompagnarla ad un allenamento regolare. Potete iniziare a ritmo blando e bassa resistenza perché un esercizio troppo intenso può provocare in una persona sovrappeso un affaticamento del cuore. Si possono controllare i propri progressi misurando le pulsazioni sotto sforzo grazie all'accessorio incluso. Questo anche per controllare che l'allenamento sia efficace ma non troppo pesante.

Iniziate con un ritmo lento e basso resistenza. Gradatamente incrementate il ritmo ed il resistenza. Tenete la testa alta ed il collo eretto onde prevenire stiramenti a collo, spalle e schiena. Tenete anche la schiena dritta. I piedi devono essere centrati sui pedali. Anche, ginocchia e punte dei piedi rivolte in avanti. Terminate l'allenamento diminuendo gradatamente ritmo e resistenza. Non dimenticate di eseguire un po' di stretching alla fine. Per rinforzare il sistema cardiovascolare, mantenete una bassa resistenza con alto ritmo. Maggiore resistenza e ritmo più lento rinforzano schiena e fianchi.

BATTITO CARDIACO

Il cardiofrequenzimetro, che permette di controllare anche la circolazione superficiale, è integrato nel corrimano. I sensori installati, rivelano la frequenza cardiaca quando l'utente appoggia entrambe le mani sul corrimano. Qualunque sia lo scopo che tu ti sia prefissato, i risultati migliori saranno raggiunti col suddetto training al giusto livello di sforzo, e la misura migliore, per tale sforzo, è il ritmo del tuo stesso cuore.

MISURAZIONE DELLA FREQUENZA CARDIACA

CON LA CINTURA

La misurazione telemetrica è la più affidabile, gli elettrodi rilevano e trasmettono le pulsazioni dal cuore al pannello per mezzo di un campo elettromagnetico.

ATTENZIONE! Coloro i quali sono portatori di pacemaker devono consultare il proprio medico, che indicherà o meno la possibilità di utilizzare l'attrezzo con questo tipo di cardiofrequenzimetro.

Se volete misurare le pulsazioni in questo modo durante l'allenamento, inumidite gli elettrodi in gomma posti sulla cinghia elastica con saliva e acqua. Allacciate la cintura sotto al petto abbastanza stretta in modo che gli elettrodi rimangano a

contatto con la pelle, ma non così stretta da rendere difficile la respirazione. Il campo di trasmissione massimo è circa 1 m. nella portata di trasmissione. Se allacciate le cinture sopra una maglietta, inumiditela leggermente nei punti di contatto degli elettrodi.

Se gli elettrodi non sono umidi, il vostro battito non appare sullo schermo. Se gli elettrodi sono asciutti, inumiditeli nuovamente. Se ci sono parecchi sistemi di rilevazione telemetrica vicini, è bene che la distanza tra loro sia di almeno 1.5 m. Il trasmettitore si accende da solo appena rileva i primi battiti. Sudore o creme possono mantenerlo acceso anche dopo l'uso consumando la batteria. Ecco perché è bene pulire gli elettrodi dopo l'uso.

Prima di scegliere gli abiti da ginnastica, tieni presente che alcune fibre tessili in essi usate (esempio poliesteri e poliamidi) sono produttrici di elettrostaticità, e ciò può inficiare l'affidabilità della misura pulsazioni. Tieni anche presente che telefono cellulare, TV ed altri apparati elettrici formano all'intorno un campo elettromagnetico, con conseguenti problemi nella misura del battito cardiaco.

MISURAZIONE DELLE PULSAZIONI CON

SENSORI NEL MANUBRIO

Il monitoraggio delle pulsazioni si basa sui sensori che si trovano nel manubrio. Il dispositivo inizia a rilevare la frequenza quando l'utente tocca entrambe le manopole del manubrio contemporaneamente. Per garantire un monitoraggio affidabile, è importante che la pelle sia costantemente a contatto con i sensori e che questa sia leggermente umida.

AREE DI PULSAZIONI

Per prima cosa, quindi, devi sapere qual'è il livello massimo di battiti cardiaci, ovvero il livello, oltre il quale le pulsazioni non aumentano, pur aggiungendo sforzi. Se tu non conosci il numero massimo delle tue pulsazioni, puoi usare la seguente formula indicativa:

$$220 - L'ETÀ$$

Naturalmente, il valore massimo effettivo varia da persona a persona. Il numero massimo di pulsazioni cardiache diminuisce, in media, di un punto ogni anno. Se appartieni ad uno gruppo a rischio, chiedi a un medico di misurare il tuo livello massimo di pulsazioni cardiache. Abbiamo definito tre differenti aree di pulsazioni, per aiutarti a stabilire il tuo livello di training.

PRINCIPIANTI • 50-60 % del massimo di pulsazioni

Questo livello è indicato anche per i weight-watchers, per i convalescenti e per coloro che non hanno fatto allenamento per lungo tempo. Si raccomandano tre periodi di training

ininterrotto alla settimana, ognuno della durata di almeno mezz'ora. Un esercizio regolare migliora notevolmente la performance respiratoria e circolatoria del principiante, tanto da farti sentire presto molto più in forma.

TRAINER • 60-70 % del massimo di pulsazioni

Questo livello è perfetto per chi voglia migliorare il proprio fitness e mantenerlo in ottime condizioni. Uno sforzo ragionevole e bilanciato migliora notevolmente le funzioni cardiovascolari e respiratorie; il training deve durare per almeno 30 minuti e deve essere fatto come minimo tre volte alla settimana. Per migliorare ulteriormente la tua condizione fisica, puoi aumentare la frequenza o l'intensità dello sforzo, ma non entrambi allo stesso tempo!

TRAINER ATTIVO • 70-80 % del massimo di pulsazioni

Le esercitazioni a questo livello vanno bene solo per coloro che hanno raggiunto una forma quasi perfetta e devono essere precedute da lunghi periodi di allenamenti "endurance".

PANNELLO



PULSANTI

1. MANOPOLA DI SELEZIONE

La manopola di selezione funziona in due modi:
 A) Tramite rotazione (+ / -). Ruotando la manopola in senso orario è possibile scorrere i menu verso destra o aumentare i valori selezionati e la resistenza. Ruotando la manopola in senso antiorario è possibile scorrere i menu verso sinistra o diminuire i valori selezionati e la resistenza.
 B) Tramite pressione (ENTER). Premendo la manopola è possibile confermare il valore che si è selezionato tramite rotazione.

2. START/STOP

Avvia, interrompe e arresta l'allenamento. La pressione di questo pulsante durante l'allenamento attiva la modalità pausa. Premendo di nuovo il pulsante il programma riparte.

3. RESET

Pressione breve: torna al menu del programma.
Pressione lunga: riavvia il contatore.

4. RECOVERY

Calcola la frequenza cardiaca di recupero.

5. BODY FAT

Calcola l'indice di massa corporea (BMI) e mostra la % di massa grassa.

DISPLAY

Vengono visualizzati tempo (mm:ss), velocità (km/h o ml/h), RPM (giri al minuto), distanza (km o ml), consumo energetico (kcal), potenza (W) e frequenza cardiaca (bpm).

PROGRAMMI**1. PROGRAMMA MANUAL**

Impostare tempo di riferimento e/o distanza e/o consumo energetico e/o limite massimo della frequenza cardiaca mediante la MANOPOLA DI SELEZIONE.

Iniziare l'allenamento premendo il pulsante START/STOP.

Se sono stati impostati dei riferimenti, comincerà il conto alla rovescia. Regolare la resistenza con la MANOPOLA DI SELEZIONE.

2. PROGRAMMI PREIMPOSTATI

Il profilo dei programmi preimpostati viene visualizzato in due secondi mentre si scorrono i vari programmi. Selezionare il programma preimpostato desiderato mediante la MANOPOLA DI SELEZIONE.

Impostare tempo di allenamento e/o distanza di riferimento e/o energia e/o limite massimo della frequenza cardiaca mediante la MANOPOLA DI SELEZIONE.

Iniziare l'allenamento premendo il pulsante START/STOP.

Se sono stati impostati dei riferimenti, comincerà il conto alla rovescia. Durante l'allenamento è possibile regolare il carico mediante la MANOPOLA DI SELEZIONE.

3. PROGRAMMA USER

Viene visualizzato il profilo dell'ultimo programma usato. È possibile cominciare ad allenarsi con i riferimenti personali memorizzati premendo START/STOP o si può modificare il programma. La barra (1/16) del profilo del programma che ora può essere modificato inizia a lampeggiare. Se si desidera apportare modifiche, cambiare la barra lampeggiante e confermare. Inizierà a lampeggiare la barra successiva. Dopo l'ultima barra il display torna alla prima barra. Tenendo premuto il pulsante ENTER per 2 secondi si concludono le operazioni di

modifica del profilo. Ora il programma è pronto con i dati personali di allenamento appena memorizzati (tempo, distanza, riferimenti energetici e limite della frequenza cardiaca). Se necessario, modificare i riferimenti. Iniziare l'allenamento premendo il pulsante START/STOP.

Se sono stati impostati dei riferimenti, comincerà il conto alla rovescia. Durante l'allenamento è possibile regolare il carico mediante la MANOPOLA DI SELEZIONE.

4. TARGET HR

Selezionare una delle quattro intensità di allenamento (55%, 75%, 90% o TARGET).

Selezionando TARGET è possibile inserire una frequenza cardiaca di riferimento.

Iniziare l'allenamento premendo il pulsante START/STOP.

Durante l'allenamento l'apparecchio regolerà automaticamente la resistenza, in modo da raggiungere e mantenere il valore di riferimento.

5. WATT COSTANTE

Impostare potenza in watt e tempo di riferimento e/o distanza e/o consumo energetico e/o limite massimo della frequenza cardiaca mediante la MANOPOLA DI SELEZIONE.

Iniziare l'allenamento premendo il pulsante START/STOP.

Se sono stati impostati dei riferimenti, comincerà il conto alla rovescia. Durante l'allenamento l'apparecchio regolerà automaticamente la resistenza in base alla velocità di pedalata, in modo da raggiungere e mantenere la potenza di riferimento. È possibile modificare la potenza di riferimento mediante la MANOPOLA DI SELEZIONE.

6. RECOVERY

Iniziare il calcolo del recupero post allenamento premendo il pulsante RECOVERY. Il calcolo della frequenza cardiaca di recupero si può avviare solo se la misurazione della frequenza cardiaca è attivata e tale valore è visualizzato sul display. La misurazione dura 60 secondi. Trascorsi 60 secondi il display mostra l'indice di recupero F1-F6 (F1 = miglior risultato). Per tornare al menu principale premere di nuovo il pulsante RECOVERY.

7. BODY FAT

Premere il pulsante BODY FAT per iniziare la misurazione. Tenere entrambe le mani sulle manopole per 8 secondi. Il contatore visualizzerà il simbolo della massa grassa, la % di massa grassa e il BMI per 30 secondi.

IMPOSTARE I DATI UTENTE

Dopo aver riavviato il contatore o azzerato i valori (pressione lunga), è possibile accedere al menu utente. Selezionare l'utente e confermare. Impostare sesso, età, altezza e peso. Confermare mediante la manopola di selezione. I dati di riferimento per l'esercizio personale (tempo, distanza, energia

e limite della frequenza cardiaca) saranno memorizzati e richiamati come impostazione predefinita ogni volta che si seleziona l'utente. I dati di allenamento personali saranno memorizzati automaticamente ogni volta che si modificano.

ANNOTAZIONI AGGIUNTIVE

1. Per la velocità e la distanza è possibile scegliere il sistema metrico o quello inglese tramite l'interruttore KM/ML situato nella parte posteriore del contatore. Per applicare la modifica è necessario reinserire il cavo di alimentazione.

2. Se non ci si sta allenando e non viene premuto nessun pulsante, dopo quattro minuti il contatore passa alla modalità basso consumo. Viene visualizzata la temperatura della stanza.

3. L'allenamento si interrompe per un massimo di 4 minuti premendo il pulsante START/STOP. Premendo di nuovo il pulsante è possibile riprendere la sessione di allenamento interrotta usando i dati di allenamento precedenti.

4. L'inserimento dei valori di riferimento (tempo, distanza, energia, limite della frequenza cardiaca) è possibile solo in modalità STOP (non durante l'allenamento).

5. Se non si desidera modificare i dati utente all'inizio di ogni allenamento, premere START/STOP per saltare la modifica dei dati utente. Si accederà all'allenamento in modalità Manuale.

6. Questo apparecchio non può essere utilizzato per scopi terapeutici.

7. Il consumo energetico viene calcolato in base a valori medi ed è espresso in chilocalorie. Per convertire il valore in joule, usare la formula: $1 \text{ Kcal} = 4,187 \text{ KJ}$.

8. Se ci si sta allenando con la rilevazione della frequenza cardiaca (tramite fascia toracica o manopole), è possibile impostare il limite massimo di battiti. Quando il limite viene superato durante l'allenamento, il contatore emette un segnale acustico.

9. I programmi preimpostati sono suddivisi in 16 fasi. La durata di ogni fase dipende dal tempo impostato per l'intero allenamento. Se non è stato impostato il tempo, la durata di ogni fase sarà pari a 100 m. di distanza.

10. Se è attivo il conto alla rovescia per diversi riferimenti, viene emesso un segnale acustico e l'allenamento si interrompe ogni volta che uno dei valori raggiunge lo zero. È possibile riprendere l'allenamento premendo START/STOP.

11. Tenere presente che l'indice di recupero è calcolato in relazione alla frequenza cardiaca sia all'inizio che alla fine della misurazione.

12. Nel programma H.R.C. i valori di riferimento della frequenza cardiaca (55%, 75% e 90%) sono calcolati in forma di percentuale rispetto alla frequenza cardiaca massima per l'età impostata (formula: $\text{frequenza cardiaca massima} = 220 - \text{età}$).

13. La regolazione automatica della resistenza durante il programma H.R.C. avviene verso l'alto ogni 30 secondi e verso il basso ogni 15 secondi, se necessario.

14. BODY FAT è una misurazione personale e il risultato si basa sui valori medi della popolazione europea.

Tabella B.M.I. (indice di massa corporea):

BASSA < 20

BASSA / MEDIO 20 – 24

MEDIA 24 - 26,5

MEDIO / ALTA > 26,5

Formule per BMI = $\text{MASSA (kg)} / \text{ALTEZZA}^2 \text{ (m)}$

Tabella BODY FAT (media della popolazione europea):

Uomini:

BASSA < 13

BASSA / MEDIO 13 – 26

MEDIA 26 – 30

MEDIO / ALTA > 30

Donne:

BASSA < 23

BASSA / MEDIO 23 – 36

MEDIA 36 – 40

MEDIO / ALTA > 40

MANUTENZIONE

L'attrezzo richiede pochissima manutenzione. Comunque, di tanto in tanto, controlla che tutte le viti e i dadi siano stretti a sufficienza.

- Dopo ogni seduta di allenamento, asciugare sempre tutte le parti dell'attrezzo con un panno soffice e assorbente. Non fare uso di solventi.
- Non rimuovere mai l'involucro di protezione dell'attrezzo.
- Il freno elettromagnetico crea un campo magnetico molto forte, in grado di danneggiare il meccanismo di un orologio o i dati di identificazione apposti sui nastri magnetici delle carte di credito o bank-card, qualora tali oggetti vengano a trovarsi a contatto immediato con i magneti. Non cercare mai di staccare o rimuovere il freno elettromagnetico!
- Il freno elettromagnetico è basato su resistenza elettromagnetica; il livello ed i cambiamenti di resistenza elettromagneticamente sono misurati ed indicati come watt sullo schermo. Di conseguenza il

vostro ergometro Tunturi non deve essere ricalibrato una volta montato ed usato o controllato seguendo le istruzioni di questa guida.

DISTURBI DURANTE L'USO

ATTENZIONE! Nonostante un continuo controllo della qualità, l'attrezzatura potrebbe talvolta presentare difetti e malfunzionamenti, causati da qualche singolo componente. Nella maggior parte dei casi, non c'è bisogno di mettersi a far riparare tutta l'attrezzatura, ma generalmente basta sostituire il pezzo o la parte difettosa. Se l'attrezzo non funziona bene durante l'uso o se si ha bisogno dei pezzi di ricambio, contatta il tuo rivenditore Tunturi indicando che cosa si tratta, le condizioni in cui la si usa, la data di acquisto, il modello e il numero di serie del tuo attrezzo. Si raccomanda di utilizzare sempre pezzi di ricambio originali.

TRASPORTO E IMMAGAZZINAGGIO

Il CF35 è dotato di rotelle di trasporto. Spostate il CF35 seguendo le istruzioni, in modo da evitare situazioni pericolose.

Stacca sempre la corrente e toglie il cavo elettrico di collegamento, prima di incominciare a spostare l'attrezzo.

L'attrezzo deve essere spostato preferibilmente da due persone adulte. Posizionarsi in corrispondenza della parte anteriore dell'attrezzo ed afferrare saldamente i suoi manubri. Solleva la parte anteriore dell'attrezzo in modo che poggi solo sulle rotelle. Spostare l'attrezzo per mezzo delle rotelle. Poggiarlo poi delicatamente sul pavimento.

ATTENZIONE! Muovete l'attrezzo con estrema cautela su superfici non perfettamente piane, per esempio sulle soglie delle porte. Non trasportatelo con le sue ruote mai per le scale, dove invece essere trasportato. Posizionare l'attrezzo su una superficie la più piana possibile. Lo spostamento dell'attrezzo può danneggiare alcuni tipi di pavimento, come per esempio il parquet. Raccomandiamo quindi di proteggere adeguatamente il pavimento.

Per prevenire problemi, conservate l'attrezzo in luogo non umido e con minori variazioni di temperatura possibili, protetto dalla polvere. Staccate sempre la spina quando non in uso.

DATI TECNICI

Lunghezza183 cm
Altezza70 cm
Larghezza170 cm
Peso69 kg

CF35 è un attrezzo in linea con gli direttive EMC dell'Unione Europea, riguardanti la compatibilità elettromagnetica (89/336/CEE) e materiale elettrico destinato all'uso nell'ambito di determinati limiti di tensione (73/23/CEE). Pertanto il prodotto porta

l'etichetta CE.

CF35 è un attrezzo in linea con la classe A dello standard EN 957. La precisione del dispositivo di misurazione della potenza viene verificata già durante le fasi di produzione, regolando il freno dell'attrezzo con un dinamometro. Il calcolo della potenza di allenamento si basa sulla velocità di rotazione e la coppia.

A causa di una politica volta a un continuo sviluppo del prodotto, la Tunturi si riserva il diritto di effettuare cambiamenti nelle caratteristiche degli attrezzi, senza darne relativo preavviso.

AVVERTENZA! La garanzia non copre danni derivanti da inosservanza, nel montaggio, regolazione e manutenzione, delle istruzioni fornite nella presente guida. Le istruzioni per montaggio, uso e manutenzione della tua attrezzatura, devono essere seguite con molta cura. Non rispondiamo di cambi o modifiche non espressamente approvate da Tunturi Oy Ltd.

TI AUGURIAMO DI AVERE LA GIOIA DI FARE TANTI ALLENAMENTI, INSIEME AL TUO NUOVO AMICO TUNTURI!

INDICE

INFORMACION Y PRECAUCIONES.....	35
MONTAJE.....	52
EJERCICIO	36
CONTADOR.....	37
MANTENIMIENTO	39
TRANSPORTE Y ALMACENAMIENTO	40
DATOS TECNICOS.....	40

INFORMACION Y PRECAUCIONES

Lea atentamente esta guía antes del montaje, uso o mantenimiento de su equipo de ejercicio. Mantenga esta guía en lugar seguro; le brindará hoy y en el futuro la información que necesite para usar y mantener su equipo. Siga siempre atentamente sus instrucciones.

OBSERVACIONES SOBRE SU SALUD

- Antes de empezar a hacer cualquier ejercicio, consulte con un médico y hágase un chequeo.
- Si durante el ejercicio experimenta náuseas, mareos u otros síntomas anormales, pare inmediatamente y consulte con un médico.
- Para evitar agujetas y tirones musculares empiece el ejercicio calentando y termínelo poco a poco (pedaleando lentamente a menos resistencia). No olvide hacer ejercicios de estiramiento después de usar la máquina.

OBSERVACIONES SOBRE ELEJERCICIO

- La máquina no se debe usar a la intemperie.
- Es una buena idea colocar la máquina sobre una base protectora. Coloque la máquina sobre una superficie dura y horizontal.
- Compruebe si el lugar donde hace el ejercicio tiene buena ventilación. Para evitar resfriados, evite las corrientes en el lugar del ejercicio.
- En entrenamiento, la máquina tolera una temperatura ambiente de entre +10°C y +35°C.

La máquina también puede almacenarse a temperaturas de 15°C a +40°C. La humedad relativa ambiente nunca debe exceder el 90 %.

OBSERVACIONES SOBRE LA MÁQUINA

- Si se deja a los niños usar la máquina, primero se los debe enseñar a usarla bien y después se les debe vigilar, teniendo en cuenta el desarrollo físico y mental del niño y su personalidad.
- Antes de empezar a usar la máquina, compruebe si todos sus mecanismos funcionan bien. No use la máquina si observa alguna anomalía.
- Esta máquina sólo debe ser utilizada por una persona cada vez. Suba y baje del aparato apoyándose en el soporte fijo del manillar.
- Agarre el manillar al subir o bajar de la máquina. No se ponga de pie sobre la estructura.

- Cuando haga ejercicio, lleve ropa y calzado adecuados.
- No se apoye nunca sobre la interfaz de usuario.
- Pulse las teclas con la punta del dedo, las uñas pueden dañar la membrana de las teclas.
- Mantenga las manos alejadas de las partes móviles de la máquina.
- Proteja el contador de la luz solar. Seque siempre la superficie del contador si caen unas gotas de transpiración sobre el contador.
- No intente hacer revisiones o ajustes de la máquina que no estén descritos en este Manual.
- El peso máximo de un usuario de esta máquina es de 150 kg.
- Encontrará información más detallada sobre la garantía de su equipo de ejercicio en el libro de garantía suministrado con el equipo. Por favor anótese que la garantía no cubre daños debidos a transportes o negligencias de ajuste o no seguir instrucciones de mantenimiento descritas en este manual.

PRECAUCIONES PARA UNIDADES CON CARGA ELÉCTRICA

Antes de conectar la máquina con la fuente de alimentación, asegúrese de que la tensión local coincida con la indicada en la placa del modelo: la máquina funciona a 230 V o 115 V (versión norteamericana). NOTA: La máquina debe estar conectada a un enchufe con toma de tierra. Cuando conecte la máquina con la fuente de alimentación, no utilice prolongadores. Apague siempre la alimentación y desenchufe la máquina de la toma eléctrica tras su utilización.

Para reducir el riesgo de quemaduras, incendio, descarga eléctrica o daños personales:

1. Nunca deje la máquina sin supervisión cuando esté conectada. Desenchúfela de la toma cuando no esté en uso, antes de llevar a cabo las tareas de mantenimiento o reparación y antes de trasladarla.
2. No ponga en funcionamiento la máquina debajo de una manta u otro material combustible. Podría producirse un aumento excesivo de calor y, por consiguiente, un incendio, descarga eléctrica o daños personales:
3. No utilice la máquina ni la conecte con una fuente de alimentación si el cable de alimentación o la propia unidad presentan algún daño.
4. No utilice ni conecte la máquina a una fuente de alimentación en exteriores o en lugares húmedos.
5. Mantenga el cable de alimentación alejado

de objetos calientes.

6. No pase el cable de alimentación por debajo de una alfombra ni coloque objetos sobre éste. Asimismo, asegúrese de que el cable de alimentación no pasa por debajo del aparato.

7. No modifique el cable entre el transformador y la unidad (por ejemplo, su longitud).

NOTA SOBRE EL MONTAJE DE LA MÁQUINA

En primer lugar, desempaquete la máquina. En el reverso de esta guía, encontrará instrucciones de montaje detalladas. Siga las instrucciones en el mismo orden en que se presentan.

Antes del montaje, compruebe que todos los elementos se encuentran en el paquete. Si faltase alguna pieza, póngase en contacto con su proveedor y proporciónese el modelo, el número de serie de la máquina y número de pieza de repuesto de la pieza ausente. En el reverso de esta guía encontrará una lista de piezas de repuesto. Los contenidos del kit de hardware están marcados con * en la lista de piezas de repuesto. Las direcciones derecha, izquierda, adelante y atrás se definen desde la posición de ejercicio. Conserve las herramientas de montaje, ya que podría volver a necesitarlas; por ejemplo, para ajustar la máquina. Tenga en cuenta que para el montaje de la máquina son necesarias dos personas.

El paquete incluye un saco de silicato para absorber la humedad durante el almacenamiento y transporte. Puede desecharlo una vez que haya abierto el paquete. Deje unos 100 cm de espacio alrededor de la máquina. También se recomienda desembalar el paquete y montar el producto en una superficie protegida.

BIENVENIDO AL MUNDO TUNTURI

DEL EJERCICIO

Su elección demuestra que Ud. realmente está dispuesto a invertir en su bienestar y en su condición física, y asimismo sabe apreciar la calidad y el estilo. Con el equipamiento de ejercicio Tunturi, Ud. ha elegido como compañero de entrenamiento un producto de alta calidad, seguro y motivador. Cualquiera sea su meta, puede estar seguro de que este equipo le acompañará hasta cumplirla. Encontrará información sobre el uso de su equipo de ejercicios y todo lo inherente a un entrenamiento eficiente en el sitio de Tunturi en Internet (WWW.TUNTURI.COM).

EJERCICIO

El ejercicio con C6 es un excelente ejercicio aeróbico, siempre que se elija una resistencia no muy alta pero se mantenga durante bastante tiempo. El ejercicio aeróbico consiste en aumentar al máximo

el suministro de oxígeno al cuerpo, lo que mejora el estado físico y la resistencia. La capacidad del cuerpo para quemar grasas depende directamente de su capacidad de oxigenación. El ejercicio aeróbico debe ser sobre todo agradable. Puede usted sudar, pero no debe asfixiarse. Por ejemplo, mientras pedalea debe usted poder hablar sin llegar nunca a jadear. Para conseguir un nivel básico de forma debe hacer ejercicio como mínimo tres veces por semana, 30 minutos cada vez. Mantener ese nivel básico requiere varias sesiones de ejercicio a la semana. Una vez alcanzado, es fácil mejorarlo sin más que aumentar las sesiones semanales.

El ejercicio siempre es bueno para perder peso, pues es la única manera de aumentar la energía

consumida por el cuerpo. Por eso siempre vale la pena combinar el ejercicio periódico con una dieta sana. Una persona que quiera perder peso debe hacer ejercicio todos los días (al principio unos 30 minutos o algo menos, pero aumentando poco a poco la duración hasta llegar a una hora diaria). Empiece cada día pedaleando despacio y con baja resistencia, pues una persona con exceso de peso que haga ejercicio violento puede someter su sistema cardiovascular a un esfuerzo excesivo. A medida que vaya mejorando su estado de forma puede ir aumentando poco a poco la resistencia y velocidad de la pedalada. Para medir la eficacia del ejercicio, controle su pulso. El contador de pulso le permite vigilar continuamente el pulso durante el ejercicio para saber si es suficientemente eficaz pero soportable.

Empiece a trepar a ritmo lento, con poca resistencia. Vaya aumentando poco a poco el ritmo y la resistencia, de acuerdo con su estado físico. Para evitar esfuerzos en el cuello, hombros y espalda, trepe con la cabeza levantada, el cuello estirado y la espalda recta. Procure que los pies estén bien centrados en los pedales y mantenga las caderas, rodillas, tobillos y pies bien hacia delante. Procure concentrar el peso del cuerpo en la parte inferior del abdomen, con independencia de si está usted derecho o inclinado hacia delante. Cuando vaya a dejar de trepar, vaya reduciendo poco a poco el ritmo y la resistencia. No olvide estirar los músculos al final del ejercicio. Para reforzar su sistema cardiovascular, haga este ejercicio con poca resistencia pero a buen ritmo. Si lo hace con mayor resistencia y menor ritmo, le servirá sobre todo para fortalecer su espalda y caderas.

RITMO CARDÍACOCO

Sea cual sea su objetivo, obtendrá los mejores resultados entrenando a un nivel de esfuerzo adecuado, para lo cual el mejor indicador es su propio ritmo cardíaco.

NOTA: Si Usted tiene incorporado un marcapasos, consulte a su médico antes de utilizar un monitor inalámbrico del ritmo cardíaco.

La medida del ritmo cardíaco es más fiable si se hace

con un sensor telemétrico en el que los electrodos de un transmisor sujeto al pecho transmiten las pulsaciones del corazón al contador creando un campo electromagnético. Si quiere medir su ritmo cardíaco de este modo durante su ejercicio, moje las ranuras de los electrodos del transmisor con saliva o agua. Si quiere ponerse el transmisor y la correa encima de una camiseta ligera, moje un poco la camiseta en los puntos donde los electrodos tocan la piel. Colóquese el transmisor justo debajo del pecho, con la correa elástica suficientemente apretada para que los electrodos estén en contacto con su piel, pero no tan fuerte que no pueda respirar normalmente. El transmisor envía automáticamente la lectura de las pulsaciones al contador hasta una distancia aproximada de 1 m.

Si la superficie de los electrodos no está mojada, no aparece en pantalla la medida del ritmo cardíaco. Si los electrodos se secan, hay que volver a mojarlos. Para que la medida del ritmo cardíaco sea más exacta, espere a que los electrodos se calienten. Si hay varios medidores telemétricos del ritmo cardíaco cerca unos de otros, la distancia mínima debe ser de 1,5 m. Del mismo modo, si sólo se usa un receptor con varios transmisores, sólo debe haber en el radio de alcance del transmisor una persona. El transmisor sólo se activa cuando se usa para medir. Sin embargo, el sudor y otras humedades pueden hacer que se active y gaste pila. Por tanto, es importante secar bien los electrodos después de usarlo.

A la hora de elegir la ropa adecuada para realizar los ejercicios tenga en cuenta que algunas fibras textiles (por ejemplo el poliéster o la poliamida) producen electricidad estática, lo que puede impedir una correcta medición del ritmo cardíaco. Tenga en cuenta que el teléfono móvil, el televisor y otros aparatos eléctricos forman a su alrededor un campo electromagnético que puede producir errores en la medición del ritmo cardíaco.

Determine primero su ritmo cardíaco máximo, es decir, el ritmo que ya no aumenta al incrementarse el esfuerzo. Si Ud. no conoce su ritmo cardíaco máximo, use como guía la siguiente fórmula:

220 - EDAD

El máximo varía según las personas. El ritmo cardíaco máximo disminuye en promedio un punto por año. Si Ud. pertenece a alguno grupo de riesgo, solicite a un médico que le mida su ritmo cardíaco máximo. Hemos definido tres zonas diferentes de ritmo cardíaco para ayudarle en su entrenamiento dirigido.

PRINCIPIANTE: 50-60 % del ritmo cardíaco máximo

También recomendable para "vigilantes de peso", convalecientes y personas que no hayan hecho ejercicio físico durante largo tiempo. Se recomiendan tres sesiones semanales de por lo menos media hora cada una. El ejercicio

regular mejora considerablemente las funciones respiratorias y circulatorias de los principiantes, quienes rápidamente sentirán el progreso.

ENTRENAMIENTO: 60-70 % del ritmo cardíaco máximo

Perfecto para una ejercitación de progreso y mantenimiento. Un esfuerzo regular y razonable desarrolla efectivamente el corazón y los pulmones entrenando un mínimo de 30 minutos al menos tres veces por semana. Para mejorar aún más su condición, aumente o la frecuencia o el esfuerzo, pero no ambos al mismo tiempo.

ENTRENAMIENTO ACTIVO: 70-80 % del ritmo cardíaco máximo

El ejercicio de este nivel es adecuado sólo para quienes están en óptimo estado, y presupone trabajos de alto rendimiento.

CONTADOR



BOTONES

1. DIAL DE SELECCIÓN

El dial de selección se puede utilizar de dos modos:
 A) Girándolo (+/-). Gire el dial en el sentido de las agujas del reloj para desplazarse hacia la derecha en los menús y para incrementar los valores o la resistencia. Gire el dial en el sentido contrario a las agujas del reloj para desplazarse hacia la izquierda en los menús y para disminuir los valores o la resistencia.
 B) Pulsándolo (ENTER). Pulse el dial para aceptar la selección realizada al girarlo.

2. START/STOP .

Inicia, detiene y finaliza el entrenamiento. Si pulsa este botón una vez durante el entrenamiento, se activa el modo de pausa. Si lo vuelve a pulsar, el programa comienza de nuevo.

3. RESET

Una única pulsación: vuelve al menú del programa.
Pulsación prolongada: el contador se restablece.

4. RECOVERY

Calcula el índice de recuperación del ritmo cardíaco.

5. BODY FAT

Calcula el índice de masa corporal (BMI) y muestra el porcentaje de grasa.

PANTALLA

Se muestran los valores tiempo (mm:ss), velocidad (km/h o ml/h), RPM (revoluciones por minuto), distancia (km o ml), consumo energético (kcal), esfuerzo (W) y ritmo cardíaco (latidos por minuto).

PROGRAMAS**1. PROGRAMA MANUAL**

Mediante el DIAL DE SELECCIÓN puede establecer el tiempo máximo, la distancia, el consumo energético y el límite máximo de ritmo cardíaco.

Comience el entrenamiento pulsando el botón START/STOP.

Los objetivos establecidos comenzarán la cuenta atrás. Ajuste la resistencia con el DIAL DE SELECCIÓN.

2. PROGRAMAS PRESTABLECIDOS

El perfil del programa preestablecido se muestra en dos segundos mientras se exploran los programas.

Mediante el DIAL DE SELECCIÓN, seleccione el programa preestablecido que desee.

Mediante el DIAL DE SELECCIÓN puede establecer el tiempo de entrenamiento, la distancia máxima, el esfuerzo y el límite máximo de ritmo cardíaco. Comience el entrenamiento pulsando el botón START/STOP.

Los objetivos establecidos comenzarán la cuenta atrás. A través del DIAL DE SELECCIÓN, es posible aumentar la carga durante el entrenamiento.

3. PROGRAMA USER

Se muestra el perfil del programa utilizado por última vez. Es posible comenzar el entrenamiento con los objetivos personales memorizados a través de START/STOP o modificar el programa. La barra del perfil del programa (1/16) que es posible modificar parpadea. Si desea modificar el programa, modifique la barra que parpadea y confirme su selección. La siguiente barra también parpadeará. Tras la última barra, la pantalla vuelve a la primera barra. Pulse el botón ENTER durante 2 segundos y finalice la modificación del perfil. En este momento, el programa está preparado con los datos de entrenamiento personales que ha memorizado (tiempo, distancia, consumo energético y límite de ritmo cardíaco). Si es necesario, modifique sus objetivos. Comience el entrenamiento pulsando el botón START/STOP.

Los objetivos establecidos comenzarán la cuenta atrás. A través del DIAL DE SELECCIÓN, es posible aumentar la carga durante el entrenamiento

4. TARGET HR

Seleccione entre las cuatro intensidades de entrenamiento existentes (55%, 75%, 90% o TARGET). Si selecciona TARGET, podrá introducir el ritmo cardíaco objetivo.

Comience el entrenamiento pulsando el botón START/STOP.

Durante el entrenamiento, el equipo ajustará automáticamente la resistencia, de manera que se alcanzará y mantendrá el objetivo.

5. CONSTANTE WATT

A través del DIAL DE SELECCIÓN, establezca el objetivo de esfuerzo en vatios y el tiempo objetivo, la distancia máxima, el consumo energético o el límite máximo de ritmo cardíaco.

Comience el entrenamiento pulsando el botón START/STOP.

Los objetivos establecidos comenzarán la cuenta atrás. Durante el entrenamiento, la máquina ajustará la resistencia según la velocidad de pedaleo con el objetivo de alcanzar y mantener el objetivo de nivel de esfuerzo. Es posible cambiar el nivel de esfuerzo a través del DIAL DE SELECCIÓN.

6. RECOVERY

Tras el entrenamiento, inicie el cálculo de recuperación a través del botón RECOVERY. El cálculo de recuperación del ritmo cardíaco sólo puede comenzar si la medición del ritmo cardíaco está activada y el valor de éste se muestra en la pantalla. La máquina tarda 60 segundos en efectuar la medición. Una vez transcurridos 60 segundos, la pantalla muestra el índice de recuperación F1-F6 (F1 = mejor resultado). Para volver al menú principal, vuelva a pulsar el botón RECOVERY.

7. BODY FAT

Para iniciar la medición, pulse el botón BODY FAT. Sitúe ambas manos en el manillar y espere ocho segundos. El contador mostrará durante 30 segundos el símbolo de grasa corporal, el porcentaje de grasa corporal y el BMI.

ESTABLECIMIENTO DE DATOS DEL USUARIO

Justo después de restablecer el contador o ponerlo a cero (pulsación prolongada), es posible entrar en el menú de usuario. Seleccione un usuario y confirme su selección. Establezca su sexo, edad, altura y peso. Con el dial de selección, confirme su selección. Los datos objetivo del ejercicio personal (tiempo, distancia, consumo energético y límite de ritmo cardíaco) se memorizan y se toman como valores predeterminados cada vez que se selecciona a ese usuario. Si modifica sus datos de entrenamiento personales, éstos se memorizarán automáticamente.

NOTAS ADICIONALES

1. Para mostrar la velocidad y la distancia, puede seleccionar unidades métricas o unidades inglesas a través del interruptor KM/ML situado en la parte posterior del contador. Para que el cambio surta efecto, es necesario volver a conectar el cable de alimentación.
2. Si no está entrenando y no se pulsa ningún botón, el contador cambia al modo de espera tras cuatro minutos. Se muestra la temperatura de la sala.
3. Si pulsa el botón START/STOP, el entrenamiento se detiene durante un máximo de cuatro minutos. Si vuelve a pulsar el botón, podrá continuar la sesión de entrenamiento detenida con la fecha de entrenamiento anterior.
4. Únicamente es posible establecer los objetivos de entrenamiento (hora, distancia, consumo energético, límite de ritmo cardíaco) en el modo STOP (no es posible hacerlo durante el entrenamiento).
5. Si no desea cambiar la fecha de usuario cada vez que inicie el entrenamiento, pulse START/STOP para omitir su edición. Entrará en modo de entrenamiento manual.
6. Este equipo no puede utilizarse con fines terapéuticos.
7. El consumo de energía se calcula en función de los valores medios. Este consumo se muestra en kilocalorías. Para convertirlo a julios, utilice esta fórmula: $1 \text{ Kcal} = 4,187 \text{ KJ}$.
8. Si está entrenando con medición del ritmo cardíaco (ya sea con correa en el pecho o a través del manillar), puede establecer el límite máximo del ritmo cardíaco. Si durante el entrenamiento se supera este límite, el contador emitirá pitidos de alarma.
9. Los programas prestablecidos se dividen en 16 pasos. La duración de un paso depende del tiempo establecido para el entrenamiento completo. Si el tiempo no se establece, la duración de un paso será de 100 m de distancia.
10. Si ha establecido objetivos para realizar la cuenta atrás, se emitirá una señal acústica y el entrenamiento se detendrá automáticamente cuando uno de ellos llegue a cero. Es posible reiniciar el entrenamiento pulsando START/STOP.
11. Tenga en cuenta que el índice de recuperación se proporciona en relación con la frecuencia del ritmo cardíaco tanto al inicio como al final de la medición.
12. En el programa H.R.C. los rangos de los objetivos de ritmo cardíaco (55%, 75% y 90%) se calculan como porcentaje a partir del ritmo cardíaco máximo previsto (fórmula de cálculo: $\text{ritmo cardíaco máximo} = 220 - \text{edad}$).

13. El ajuste automático de la resistencia durante el programa H.R.C. aumenta cada 30 segundos y disminuye cada 15 segundos, si es necesario.

14. BODY FAT es una medición personal y el resultado se basa en los valores medios de la población europea.

Tabla de BMI (índice de masa corporal):

BAJO < 20

BAJO / MEDIO 20 – 24

MEDIO 24 - 26,5

MEDIO / ALTO > 26,5

Fórmula de BMI = PESO (kg) / ALTURA² (m)

Tabla de GRASA CORPORAL % (media de la población europea):

Grasa:

BAJO < 13

BAJO / MEDIO 13 – 26

MEDIO 26 – 30

MEDIO / ALTO > 30

Mujer:

BAJO < 23

BAJO / MEDIO 23 – 36

MEDIO 36 – 40

MEDIO / ALTO > 40

MANTENIMIENTO

Los equipos Tunturi requieren muy poco mantenimiento. Verifique sin embargo de tiempo en tiempo que todos los tornillos y tuercas estén ajustados.

- Después de ejercitar, seque siempre todas las piezas del equipo con un paño suave, absorbente. No use disolventes.
- Nunca quite la carcasa protectora del equipo.
- El freno electromagnético forma un campo magnético extremadamente poderoso que puede dañar el mecanismo de un reloj o la banda magnética de una tarjeta de crédito si entran en contacto directo con los magnetos. ¡Nunca trate de desarmar o extraer el freno electromagnético!
- El freno electromagnético se basa en resistencia electromagnética; el nivel y los cambios de resistencia se miden y se muestran electrónicamente como vatio-lectura en la visualización. Por lo tanto su ergómetro de Tunturi no necesita ser vuelto a calibrar cuando está ensamblado, mantenido y utilizado según esta guía del ejercicio.

DEFECTOS DE FUNCIONAMIENTO

Pese al continuo control de calidad que realizamos, el equipo puede presentar defectos o malfuncionamientos debidos a fallos en componentes individuales. En la mayoría de los casos no es necesario llevar todo el equipo a reparar,

y generalmente es suficiente con reemplazar la parte defectuosa.

Si el equipo no funciona correctamente durante su uso, tome contacto inmediatamente con su proveedor Tunturi. Relate la naturaleza del problema, las condiciones de uso, la fecha de compra, el modelo y el número de serie.

En el reverso de esta guía encontrará la lista de piezas. Utilice sólo piezas de repuesto mencionadas en la lista de piezas de repuesto.

TRANSPORTE Y ALMACENAMIENTO

El CF35 está equipado con ruedas para su traslado. Traslade el CF35 con arreglo a las siguientes instrucciones a fin de evitar posibles situaciones de peligro.

Siempre cierre el interruptor de alimentación y desenchufe el cable de alimentación antes de mover el equipo.

El traslado del aparato requiere de dos personas adultas. Sitúense en el extremo delantero del aparato, en lados diferentes del aparato y agarren firmemente el aparato por las empuñaduras. Eleven el extremo delantero del aparato hacia arriba hasta que la parte trasera del aparato suba apoyándose en las ruedas de traslado. Traslade el aparato apoyándolo en las ruedas de traslado y descíndalo cuidadosamente.

NOTA: Para transportar la máquina a través de superficies irregulares o escaleras, extreme la precaución: la máquina debe ser transportada en vilo (no usar las ruedas). Es una buena idea colocar la máquina sobre una base protectora. Al desplazar el aparato se pueden producir daños en algunos suelos, por ejemplo, en el parquet. Por esta razón el suelo deberá protegerse.

Para mantener la máquina en perfecto estado de funcionamiento guárdela en un lugar seco donde la temperatura no varíe mucho. Protéjala del polvo. Mantenga la máquina siempre desenchufada de la corriente cuando no la use.

DATOS TECNICOS

Longitud183 cm
Anchura70 cm
Altura.....170 cm
Peso.....69 kg

CF35 conforme los requerimientos de las directivas EMC de la UE sobre compatibilidad electromagnética (89/336/EEC) y equipo eléctrico diseñado para su uso dentro de ciertos límites de tensión (73/23/EEC). Por lo tanto, este producto ostenta la etiqueta CE.

CF35 es un aparato de condición física de categoría

de precisión A conforme al estándar de aparatos de condición física EN-957. La precisión de la medición de la potencia se asegura en la fase de producción regulando los frenos del aparato con la ayuda de un dinamómetro. El cálculo de la eficacia del ejercicio se realiza en base a la velocidad de las revoluciones y el momento.

Debido a su política de continuo desarrollo de productos, Tunturi se reserva el derecho de cambiar las especificaciones sin previo aviso.

NOTA: La garantía no cubre daños debidos a negligencias en los procedimientos de montaje, ajuste y mantenimiento descritos en esta guía. Deben seguirse estrictamente estas instrucciones en el montaje, uso y mantenimiento de su equipo. Cambios o modificaciones no expresamente aprobados por Tunturi Oy Ltd no están autorizados a los usuarios.

**LE DESEAMOS MUCHAS AGRADABLES
SESIONES DE ENTRENAMIENTO CON SU
NUEVO COMPAÑERO DE ENTRENAMIENTO
TUNTURI.**

INNEHÅLL

BRUKSANVISNING	41
MONTERING.....	52
TRÄNING	42
MÄTARE	43
UNDERHÅLL.....	44
TRANSPORT OCH FÖRVARING	44
TEKNISKA DATA.....	45

BRUKSANVISNING

Läs noga igenom denna handbok innan du monterar upp, använder eller reparerar ditt nya träningsredskap. Spara denna handbok; den innehåller information som du behöver nu och i framtiden för att använda och underhålla ditt redskap. Följ alltid dessa instruktioner noggrant.

BEAKTANSVÄRT RÖRANDE HÄLSAN

- Konsultera din läkare innan du inleder ditt träningsprogram.
- Om du känner dig illamående, får svindel eller uppvisar andra onormala symtom under träningen, skall du omedelbart avbryta träningen och vända dig till din läkare.
- Värm upp före varje träningspass (långsam trampning med lågt motstånd) och avsluta med avslappningsövningar och muskelsträckningar för att undvika träningsvärk.

BEAKTANSVÄRT RÖRANDE TRÄNINGSMILJÖN

- Redskapet får inte användas utomhus.
- Placera redskapet på ett så plant underlag som möjligt.
- Kontrollera att träningslokalen har en god ventilation. Undvik dock träning i dragiga lokaler, eftersom det kan leda till förkylning.
- Redskapet tål vid träning en omgivning från +10°C till +35°C. Redskapet kan lagras vid temperaturer mellan -15°C och +40°C. Luftfuktigheten i tränings eller upplagringsomgivningen får aldrig överskrida 90 %.

BEAKTANSVÄRT RÖRANDE REDSKAPETS

ANVÄNDNING

- Skydda mätaren mot solljus och torka alltid ytan av ytan på mätaren om du ser svett droppar på den.
- Föräldrar och andra personer som har ansvar för barn skall beakta, att barnens naturliga lekbehov och experimentlust kan leda till situationer, för vilka redskapet inte är avsett. Om barn får använda redskapet, måste föräldrarna eller andra ansvariga personer beakta barnens psykiska och fysiska utveckling och framför allt barnens natur. Barn skall erhålla handledning i redskapets användning.
- Kontrollera att redskapet är i skick innan du inleder

träningen. Använd aldrig ett redskap som är sönder. Luta dig aldrig mot användargränssnittet.

- Tryck på tangenterna med fingertopparna; naglar kan skada tangentmembranet.
- Använd aldrig redskapet, när sidokåporna inte är på plats.
- För undvikande av skador rekommenderas att redskapet placeras på ett skyddat underlag.
- Redskapet får endast användas av en person åt gången.
- När du stiger på och av apparaten, ta stöd i det fasta handstödet
- Använd lämpliga kläder och skor när du tränar.
- Utför endast de service-och justeringsåtgärder som beskrivs i denna bruksanvisning. Givna anvisningar bör följas.
- Redskapet får inte användas av personer som väger över 150 kg.
- Utförligare information om träningsredskapets garanti hittar du i den bifogade garantiboken. Observera att garantin inte täcker skador uppkomna genom försumlighet av inställningen och justeringar eller underlåtenhet att följa givna anvisningarna.

OBSERVERA OM SÄKERHET FÖR ENHETER MED ELEKTRISK STRÖM

Kontrollera att den lokala spänningen motsvarar den som anges på typ plattan innan redskapet ansluts till en strömkälla. Redskapet drivs med antingen 230 V eller 115 V (Nordamerikansk version). OBS! Redskapet måste anslutas till ett jordat vägguttag. Använd inte förlängningssladd när redskapet ansluts till strömkällan. Stäng alltid av strömmen och drag ur kontakten från eluttaget omedelbart efter användning!

För att minska risken för brännskada, eld, elektrisk stöt eller skada på personer:

1. Redskapet får aldrig lämnas utan uppsikt när det är inkopplat. Koppla ur redskapet från strömuttaget när det inte används, innan underhåll eller reparation utförs och innan enheten flyttas.
2. Använd inte redskapet under en filt eller annat lättantändligt material. Överdriven värme kan uppstå och orsaka eld, elektrisk stöt eller skada på personer.
3. Anslut inte redskapet till en strömkälla eller använd utrustningen om det finns någon skada på nätsladden eller på själva enheten.
4. Anslut inte redskapet till en strömkälla eller använd utrustning utomhus eller på fuktiga platser.
5. Håll nätsladden borta från varma föremål.
6. Placera inte nätsladden under en matta eller placera något föremål på kabeln. Kontrollera även att nätsladden inte hamnar under utrustningen.

7. Förändra inte (till exempel förläng) sladden mellan transformator och enheten.

OBSERVERA OM MONTERING AV REDSKAPET

Börja med att packa upp redskapet. Detaljerade monteringsinstruktioner finns i slutet av den här guiden. Följ instruktionerna i angiven ordning.

Kontrollera innehållet i paketet innan montering. Om en del saknas, kontakta din återförsäljare och uppge modell, serienummer på utrustningen och reservdelsnummer för den saknade delen. Det finns en reservdelsförteckning i slutet av denna bruksanvisning. Hårdvarusatsens innehåll har markerats med * i reservdelslistan. Riktningarna vänster, höger, fram och bak används så som man uppfattar dem när man sitter i träningsställning. Spara monteringsverktygen, eftersom du kan komma att behöva dem t.ex. för justering av redskapet. Observera att två personer behövs för monteringen.

I förpackningen finns det även en silikatpåse som absorberar fukt under lagring och transport. Släng påsen när du packat upp redskapet. Lämna minst 100 cm fritt utrymme runt redskapet. Vi rekommenderar även att förpackningen öppnas och produkten monteras samman på ett skyddande underlag.

VÄLKOMMEN TILL TUNTURIS

TRÄNINGSVÄRLD!

Ditt val visar att du verkligen vill investera i din kondition och ditt välbefinnande; det visar också att du verkligen värdesätter hög kvalitet och stil. Med ett träningsredskap från Tunturi har du valt en säker och motiverande produkt av hög kvalitet till träningspartner. Oberoende av vilken målsättning du har, är vi säkra på att det här är den rätta utrustningen för att du skall nå ditt mål. Du kan hitta information om hur du ska använda ditt träningsredskap och hur man tränar effektivt på Tunturis webbplats på adressen WWW.TUNTURI.COM.

TRÄNING

Träning med motionscykel är en utmärkt aerobisk motion. Grundidén är att motionen skall vara förhållandevis lätt, men räckta länge. Aerobisk motion bygger på en förbättring av den maximala syreupptagningsförmågan, som i sin tur förbättrar uthålligheten och konditionen. Kroppens förmåga att använda fett som bränsle är direkt beroende av dess förmåga att transportera syre. Aerobisk motion är framför allt angenäm. Du skall bli svettig, men du får inte bli andfådd. När du trampar skall du kunna prata, och inte bara flåsa.

Du borde motionera minst tre gånger i veckan à 30 minuter. Detta ger dig en god baskondition. För att du skall kunna upprätthålla baskonditionen bör du motionera minst ett par gånger i veckan. När du har uppnått din baskondition, kan den lätt förbättras genom att du ökar antalet träningspass.

Motion är alltid bra för den som vill gå ner i vikt, eftersom det är det enda sättet att öka kroppens energiförbrukning. Speciellt för personer som bantar lönar det sig därför att kombinera kalorifattig kost med regelbunden motion. Den som bantar bör motionera dagligen. Först cirka 30 minuter eller ännu kortare perioder per gång och sedan småningom längre perioder upp till en timme per dag.

Det lönar sig att börja långsamt med låg tramphastighet och litet motstånd. En alltför hög belastning kan hos överviktiga personer belasta hjärtat och blodcirkulationen för mycket. I takt med att konditionen förbättras, kan du småningom öka motståndet och tramphastigheten. Effekten kan du kontrollera med hjälp av pulsen. Tack vare redskapets pulsmätare kan du lätt följa med pulsfrekvensen under träningen och säkerställa att träningen är tillräckligt effektiv och att belastningen inte är alltför stor. Inled träningen med långsam takt och litet motstånd.

Öka på takten och höj motståndet allt efter din egen kondition. Håll huvudet högt och nacken rak, för att inte nacken, axlarna och ryggen skall ansträngas. Håll också ryggen rak. Se till att fötterna befinner sig ungefär mitt på fotstöden under träningen och att höfterna, knäna, fotlederna och tårna pekar framåt. Kroppens tyngdpunkt skall ligga i de nedre extremiteterna, oberoende av om du lutar framåt eller står rak. Avsluta träningspasset genom att småningom minska på stegtempot. Avsluta med muskelsträckningar. Träna med lågt motstånd och snabbt stegtempo för att utveckla hjärt- och blodcirkulationsorganens kondition. Träna med ett större motstånd och i ett långsammare tempo för att stärka ryggen och höfterna.

PULS

Pulsen kan mätas med hjälp av en i redskapets mätare inbyggd pulsmottagare, som kan användas tillsammans med trådlösa POLAR-pulssändare. Oberoende av vilken din målsättning är när du bästa resultat genom att träna på rätt ansträngningsnivå och det bästa måttet på det är din puls.

TRÅDLÖS PULSMÄTNING

Trådlös pulsmätning, där elektroderna i en sändare på bröstkorgen överför hjärtats slag med hjälp av ett elektromagnetiskt fält till mätaren, har visat sig vara det tillförlitligaste sättet att mäta pulsen.

VIKTIGT! I det fall du använder pacemaker - hör med din läkare om du kan använda trådlös pulsmätning.

För trådlös mätning av pulsen under träningen, skall du noggrant fukta de räfflade elektroderna i elektrodväskan med vatten eller saliv. Om du använder pulssändaren ovanpå skjortan, skall skjortan fuktas under elektroderna. Spänn det elastiska bältet med sändaren kring bröstet under bröstmusklerna, så att elektroderna hela tiden har hudkontakt under träningen. Bältet får dock inte vara så spänt att andningen försvåras. Pulsvärdet från pulssändaren överförs automatiskt till mottagaren upp till ett

avstånd på 1 m.

Om elektrodytorna inte är fuktiga, visar mätaren inget pulsvärde. Elektroden ska då fuktas på nytt. Tänk också på att elektroden ska värmas upp på huden till kroppstemperatur för att ge tillförlitliga resultat. Om det finns flera apparater för trådlös pulsmätning bredvid varandra, skall avståndet mellan dem vara minst 1,5m. Om det bara finns en mottagare, men flera sändare, får endast en person med sändare befinna sig inom räckvidd för mottagaren under mätningen.

När du tar av dig elektrodbytt, kopplas sändaren bort. Fukt kan dock hålla sändaren aktiverad, vilket förkortar batteriets livslängd. Därför är det viktigt att sändaren omsorgsfullt torkas av efter varje användning. Observera när du väljer kläder att vissa fibrer i tyget (t.ex. polyester, polyamid) genererar statisk elektricitet och kan därför hindra en tillförlitlig pulsmätning. Observera att mobiltelefoner, tv-apparater och andra elektriska anordningar genererar ett elektromagnetiskt fält omkring sig och kan därför ge upphov till problem i pulsmätningen.

PULSMÄTNING MED SENSORER I

STYRSTÅNGEN (HGP-VERSIONEN)

Blodcirkulationen är grunden för pulsmätning via handtagens givare, och pulsen mäts när användaren rör vid handtagens bägge sensorer samtidigt. Ett pålitligt mätresultat förutsätter att huden hela tiden berör sensorerna och att huden är aningen fuktig.

PULSOMRÅDEN

Ta först reda på din maximipuls, dvs. på vilken nivå pulsen inte längre stiger trots att ansträngningen höjs. Om du inte känner till din maximipuls, kan du använda följande formler som riktgivare:

220 - ÅLDERN

Maximipulsen varierar från person till person. Maximipulsen går i medeltal ner med en enhet per år. Om du hör till någon av de riskgrupper som nämndes ovan, be en läkare mäta din maximipuls åt dig. Vi har definierat tre olika pulsområden för att hjälpa dig när du sätter upp mål för träningen.

NYBÖRJARE • 50-60 % av maximipulsen

Denna nivå lämpar sig också för viktväktare, rehabiliteringspatienter och personer som inte har tränat på länge. Tre träningspass i veckan på minst en halvtimme var rekommenderas. Regelbunden träning förbättrar andnings- och cirkulationskapaciteten hos nybörjare betydligt och du kommer snabbt att märka förbättringen.

MOTIONÄR • 60-70 % av maximipulsen

Denna nivå är perfekt för att förbättra och upprätthålla konditionen. Även en måttlig

ansträngning utvecklar hjärtat och lungorna effektivt, om du tränar i minst 30 minuter åtminstone tre gånger i veckan. För att ytterligare förbättra din kondition, höj antingen träningsfrekvensen eller ansträngningen, men inte båda på samma gång!

AKTIV IDROTTARE • 70-80 % av maximipulsen

Träning på denna nivå lämpar sig bara för personer med mycket bra kondition och bör föregås av träning för lång uthållighet.

MÄTAREN



KNAPPAR

1. FUNKTIONSVÄLJARE

Du kan använda funktionsväljaren på två sätt:
A) Vrid ratten (+ / -). När du vrider ratten medurs rullar du igenom menyerna åt höger och ökar värden eller motstånd. När du vrider ratten moturs rullar du igenom menyerna åt vänster och minskar värden eller motstånd.
B) Tryck på ratten (ENTER). När du trycker på ratten bekräftar du inställningen du gjorde genom att vrida ratten.

2. START/STOP

Starta, pausa och stoppa träningspasset. När du trycker på den här knappen en gång under träningspasset aktiveras pausfunktionen. Programmet startas igen när du trycker på knappen på nytt.

3. RESET

En tryckning: återgå till programmenyn. Lång tryckning: återstartar mätaren.

4. RECOVERY

Beräknar återhämtningsindex för din pulsnivå.

5. BODY FAT

Beräknar ditt body mass index (BMI) och visar ditt

kroppsfett i %.

DISPLAY

Här visas tid (mm.ss), hastighet (km/h eller ml/h), RPM (pedalvarv per min), avstånd (km eller ml), energiförbrukning (kcal), effekt (W) och pulsning (bpm).

PROGRAM

1. MANUAL PROGRAM

Ställ in måltiden och/eller avståndet och/eller energiförbrukningen och/eller den övre pulsning med FUNKTIONSVÄLJAREN

Starta träningen genom att trycka på START/STOP-knappen.

Om du har ställt in målet/målen, kommer målet/målen att börja räkna ner. Justera motståndet med FUNKTIONSVÄLJAREN.

2. INSTÄLLNING AV PROGRAM

Inställd programprofil visas under två sekunder medan programsökning sker. Välj önskat program med FUNKTIONSVÄLJAREN.

Ställ in träningstid och/eller önskat avstånd och/eller energiförbrukning och/eller den övre pulsning med FUNKTIONSVÄLJAREN

Starta träningen genom att trycka på START/STOP-knappen.

Om du har ställt in målet/målen, kommer målet/målen att börja räkna ner. Under träning kan du gradera belastningen med FUNKTIONSVÄLJAREN.

3. USER PROGRAM

Den programprofil som användes senast visas. Du kan antingen starta träningen med ditt personligt lagrade träningsmål genom att trycka på START/STOP eller också kan du ändra programmet. Den programprofilsbalk (1/16) som nu kan ändras blinkar. Om du vill ändra, ändrar du balken som blinkar och bekräftar. Nästa balk kommer att blinka. Efter den sista balken kommer displayen att gå tillbaka till den första balken. Genom att hålla ENTER-knappen intryckt under 2 sekunder kan du avsluta profiländringen. Programmet är nu färdigt med dina lagrade personliga träningsdata (tid, avstånd, energimål och pulsninggräns). Ändra dina mål vid behov. Starta träningen genom att trycka på START/STOP knappen.

Om du har ställt in målet/målen, kommer målet/målen att börja räkna ner. Under träning kan du gradera belastningen med FUNKTIONSVÄLJAREN

4. TARGET HR

Välj mellan fyra olika träningsintensiteter (55%, 75%, 90% eller TARGET). Genom att välja TARGET kan du mata in önskad pulsning.

Starta träningen genom att trycka på START/STOP knappen.

Under träning kommer redskapet automatiskt att justera motståndet så att du kommer att nå och behålla ditt mål.

5. JÄMN WATT

Ställ in önskad effekt i watt och önskad tid och/eller avstånd och/eller energiförbrukning och/eller den övre pulsning med FUNKTIONSVÄLJAREN.

Starta träningen genom att trycka på START/STOP-knappen.

Om du har ställt in målet/målen, kommer målet/målen att börja räkna ner. Under träning kommer redskapet automatiskt att justera motståndet beroende på din tramphastighet, så att du kommer att nå och bibehålla den önskade effektning.

Du kan ändra den önskade effekten med FUNKTIONSVÄLJAREN.

6. RECOVERY

Starta återhämtningsberäkningen efter träning genom att trycka på RECOVERY-knappen. Beräkning av återhämtningen av pulsning kan startas endast om pulsningmätaren är aktiverad och pulsningvärdet visas på displayen. Mätningen tar 60 sekunder. Efter 60 sekunder visas ditt återhämtningsindex, F1-F6 (F1 = bästa resultat), på displayen. För att gå tillbaka till huvudmenyn trycker du på RECOVERY-knappen igen.

7. BODY FAT

Tryck på BODY FAT knappen för att starta mätningen. Håll båda händerna på handtagen och vänta 8 sekunder. Mätaren kommer att visa symbolen för rekommenderad kroppsfett % och BMI under 30 sekunder.

INSTÄLLNING ANVÄNDARDATA

Direkt efter återstart eller återställning (långt tryck) av mätaren kan du gå in i användarmenyn. Välj användare och bekräfta. Ställ in kön, ålder, längd och vikt. Bekräfta med funktionsväljaren. Data om personligt träningsmål (tid, avstånd, energi, pulsning) kommer att lagras och återkallas som standardvärde varje gång användaren väljs. Om du ändrar dina personliga träningsdata kommer dessa automatiskt att lagras.

YTTERLIGARE NOTERINGAR

1. För hastighet och avstånd kan du välja antingen millimeter eller engelska enheter genom att använda KM/ML-brytaren som är placerad på det bakre skyddet på mätaren. Nätsladden måste sättas i på nytt för att ändringen skall aktiveras.

2. Om du inte tränar och knapparna inte trycks in kommer mätaren att koppla över till viloläge efter cirka fyra minuter. Lufttemperaturen visas.

3. Träningen pausas under maximalt 4 minuter genom att START/STOP-knappen trycks in. Trycker du på knappen igen får du fortsätta det pausade träningspasset med samma träningsdata som tidigare.

4. Inmatning av träningsmål (tid, avstånd, energi, pulsning) kan endast ske i STOP-funktion (inte under träning).

5. Om du inte vill ändra dina användardata varje gång du startar träningen trycker du START/STOP för att hoppa över redigering av användardata. Du kommer att gå in i manuell träningsfunktion.

6. Det här redskapet kan inte användas för terapeutiska ändamål.

7. Energiförbrukning beräknas enligt ett genomsnittsvärde. Energiförbrukningen visas i kilokalorier. För att omvandla detta till joule används formeln: $1 \text{ Kcal} = 4.187 \text{ KJ}$.

8. Om du tränar med pulsmätare (antingen bröstbälte eller handledspuls) kan du ställa in maximal puls nivå. När gränsen har nåtts kommer träningsmätaren att avge ett pipande larm.

9. Programinställningen är uppdelad i 16 steg. Längden på ett steg beror på den tid som ställts in för hela träningen. Om tiden inte ställs in kommer längden på ett steg att motsvara 100 m i avstånd.

10. Om du har ställt in ett mål att räkna ner kommer en signal att ljuda och träningen att avslutas när något av målen når noll. Du kan starta om träningen genom att trycka på START/STOP.

11. Observera att återhämtningsindex står i relation till pulsfrekvensen både i början och i slutet av mätningen.

12. I H.R.C beräknas området i målpulsprogrammet (55%, 75% och 90%) som procent från den i din ålder förutspådda maximala puls nivå (beräkningsformel: maximal puls nivå = $220 - \text{ålder}$).

13. Automatisk justering av motståndet under H.R.C program, sker uppåt var 30:e sekund och vid behov nedåt var 15:e sekund.

14. BODY FAT är en personlig mätning och resultatet baseras på värde från en genomsnittlig europeisk befolkning.

B.M.I (Body mass index) tabell:

LÅG < 20

LÅG / MEDIUM 20 – 24

MEDIUM 24 - 26,5

MEDIUM / HOG > 26,5

Formel för BMI = $\text{VIKT (kg)} / \text{LÄNGD}^2 \text{ (m)}$

KROPPSFETT % (genomsnittlig europeisk befolkning) tabell:

Man:

LÅG < 13

LÅG / MEDIUM 13 – 26

MEDIUM 26 – 30

MEDIUM / HÖG > 30

Kvinna:

LÅG < 23

LÅG / MEDIUM 23 – 36

MEDIUM 36 – 40

MEDIUM / HÖG > 40

UNDERHÅLL

Modellen CF35 kräver så gott som inget underhåll. Kontrollera dock ibland att alla skruvar och muttrar är åtdragna.

- Vänligen rengör redskapet efter träningen med en mjuk absorberande duk. Använd inga lösningsmedel.
- Ta aldrig bort skyddskåporna på redskapet!
- Det elektromagnetiska motståndet alstrar ett magnetfält som kan skada mekanismer i armbandsur eller magnetband i kredit- eller kontokort, om de kommer i omedelbar kontakt med magneterna. Försök aldrig koppla ur eller avlägsna det elektromagnetiska motståndet!
- Funktionen av den elektromagnetiska bromsen är baserad på det elektromagnetiska motståndet.

Motståndsnivån mäts elektroniskt och visas som ett effekt tal (watt) på användaranslutningen. På grund av mätmetoden behöver du ej kalibrera din Tunturi crosstrainer om du installerar, underhåller och använder den enligt instruktionerna i denna manual.

STÖRNINGAR VID ANVÄNDNING

Trots kontinuerlig kvalitetskontroll kan fel eller funktionsstörningar som beror på någon enskild komponent förekomma. Därför är det onödigt att hela redskapet skickas på reparation, eftersom det för det mesta räcker med att aktuell komponent byts. Kontakta genast din försäljare om du upptäcker fel eller brister när du använder ditt redskap eller om du behöver reservdelar. Uppge alltid redskapets modell och serienummer. Beskriv problemet, hur redskapet använts, och uppge inköpsdagen. Behöver du reservdelar, uppge också numret på reservdelar; du hittar en lista på reservdelar i slutet på den här handboken. Till apparaten får endast delar från reservdelslistan användas.

TRANSPORT OCH FÖRVARING

CF35 har försetts med transporthjular. Följ instruktionerna för att förflytta apparaten tryggt.

Koppla alltid av strömmen och dra ur elkabeln innan du börjar flytta på redskapet!

Det behövs två vuxna personer att förflytta apparaten. Ställ er framför apparatens bägge sidor och grip tag i handtaget. Lyft apparatens främre del upp så att apparatens bakdel lyfter sig på transporthjular. Förflytta apparaten och sänk den försiktigt ned på sin nya plats.

Förflytt redskapet ytterst försiktigt över ojämna ställen på golvet, till exempel över tröskel. I trappor får redskapet aldrig transporteras på trasporthjulen, utan det måste bäras. För undvikande av skador

rekommenderas att redskapet placeras på ett skyddat underlag. När man flyttar på löpbandet kan vissa golvmaterial ta skada, t.ex. parkettgolv. Underlaget bör i sådana fall skyddas.

För att försäkra sig om att redskapet fungerar felfritt bör man förvara det på ett torrt och dammfritt ställe med så jämn temperatur som möjligt.

TEKNISKA DATA

Längd..... 183 cm
Bredd 70 cm
Höjd 170 cm
Vikt..... 69 kg

Tunturimodellen CF35 uppfyller kraven i EU:s EMC-direktiv gällande elektromagnetisk kompatibilitet (89/336/EEC) och elutrustning som utformats för användning inom vissa gränser för spänningen (73/23/EEC). Därför är denna produkt CE-märkt.

Tunturimodellen CF35 uppfyller EN-standarden för precision och säkerhet (klass A, EN-957, del 1 och 5) för fitnessapparater. Precisionen av effektmätningen försäkras under tillverkningsfasen genom att justera apparatens broms med dynamometern. Kalkyleringen av träningseffekten baserar sig på varv hastigheten och moment.

På grund av vår policy för kontinuerlig produktutveckling förbehåller vi, Tunturi, oss rätten till ändringar.

OBS! Garantin gäller inte skador som uppkommit pga. underlåtagande att iaktta de instruktioner för montering, justering och underhåll som beskrivits här. Instruktionerna måste följas noggrant vid montering, användning och underhåll av redskapet. Redskapet som modifieras eller förändras på ett sätt som inte är godkänt av Tunturi Oy Ltd får inte användas.

**VI ÖNSKAR DIG MYCKET NÖJE I TRÄNINGEN
MED DIN NYA TRÄNINGSPARTNER FRÅN
TUNTURI.**

SISÄLTÖ

HUOMAUTUKSET JA VAROITUKSET	47
ASENNUS	52
HARJOITTELU	47
MITTARI	49
HUOLTO	50
KULJETUS JA SÄILYTYS	51
MITAT	51

HUOMAUTUKSET JA VAROITUKSET

Tämä opas on olennainen osa kuntolaitettasi. Pehdy ohjeisiin huolellisesti ennen kuin asennat, käytät tai huollat kuntolaitettasi. Sinun tulee ehdottomasti säilyttää tämä opas, sillä jatkossa se opastaa Sinua niin kuntolaitteesi tehokkaaseen käyttöön kuin huoltoonkin. Muista aina noudattaa tämän oppaan ohjeita.

HUOMIOITAVAA TERVEYDESTÄSI

- Ennen harjoittelun aloittamista käy varmistuttamassa terveydentilasi lääkärillä.
- Jos harjoittelun aikana tunnet pahoinvointia, huimausta tai muita epänormaaleja oireita, keskeytä harjoittelu välittömästi ja ota yhteys lääkäriin.
- Estääksesi lihasten venähtämisen tai kipeytymisen aloita ja päätä jokainen harjoituskerta verryttelyllä (hidasta poljentaa alhaisella vastuksella). Muista myös venytellä harjoittelun päätteeksi.

HUOMIOITAVAA HARJOITTELUYMPÄRISTÖSTÄ

- Laitetta saa käyttää vain sisätiloissa. Harjoitteluolosuhteissa laite kestää lämpötiloja +10 asteesta +35 asteeseen, varastoitaessa lämpötiloja -15 asteesta +40 asteeseen. Ilman kosteus ei saa missään tapauksessa ylittää 90 %.
- Sijoita laite kovalle ja mahdollisimman tasaiselle alustalle. Aseta laite myös lattiaa suojaavalle alustalle.
- Huolehdi, että harjoitteluympäristö on riittävän hyvin ilmastoitu. Vilustumisen estämiseksi vältä kuitenkin harjoittelua vetoisissa tiloissa.

HUOMIOITAVAA LAITTEEN KÄYTÖSTÄ

- Mikäli lasten annetaan käyttää laitetta, vanhempien tai muiden vastuullisten tulee ottaa huomioon lasten sekä henkinen että fyysinen kehitys ja ennen kaikkea luonne. Lapsia tulee valvoa ja opastaa laitteen oikeassa käytössä.
- Varmista ennen harjoittelun aloittamista, että laite on kaikin puolin kunnossa. Älä koskaan käytä viallista laitetta.
- Vain yksi henkilö kerrallaan saa harjoitella laitteella.
- Nouse laitteelle ja laitteelta ottaen tukea kiinteästä käsituesta.
- Käytä harjoittelun aikana asianmukaisia vaatteita ja kenkiä.
- Suojaa mittari auringonvalolta ja kuivaa mittarin pinta aina, mikäli sen päälle on tippunut hikivettä.

- Älä yritä tehdä laitteelle muita kuin tässä ohjekirjassa kuvattuja säätöjä tai huoltotoimenpiteitä. Asennus- ja huoltotoita tehtäessä virran on oltava kytkettynä pois ja verkkopistokkeen on oltava irti pistorasiasta.
- Laitteen ehdoton enimmäiskäyttäjätarve on 150 kg.
- Tarkempia tietoja kuntolaitteesi takuusta löydät laitteen mukana toimitetusta takuukirjastasi. Huomaa, että takuu ei korvaa mitään vahinkoja, jotka ovat aiheutuneet tässä ohjekirjassa mainittujen asennus-, säätö- ja huolto-ohjeiden laiminlyönneistä.

TURVALLISUUDESTA

Ennen laitteen liittämistä sähköpistokkeeseen, tarkista, että paikallinen jännite vastaa laitteen tyyppikilvessä ilmoitettua jännitettä; laite toimii joko 230 V tai 115 V (North American version) jännitteellä. HUOMAA! Laite tulee ehdottomasti yhdistää maadoitettuun pistorasiaan. Älä käytä jatkettua johtoa laitteesi liittämiseksi sähköpistokkeeseen. Muista aina sulkea virta ja irroittaa laite sähköverkosta välittömästi käytön jälkeen!

Vaaratilanteiden ja vammojen välttämiseksi toimi aina seuraavalla tavalla:

- Laitetta ei koskaan tule jättää ilman valvontaa, kun se on liitetty sähköpistokkeeseen. Irroita laite aina sähköpistokkeesta, kun se ei ole käytössä, ennen huolto- ja korjaustoimenpiteitä ja laitteen siirtämistä.
- Älä koskaan käytä laitetta peitteen tai muun lämpöä keräävän tai palavan materiaalin alla. Yliämpeneminen saattaa johtaa syttymiseen, sähköiskuun tai muuhun vahinkoon.
- Älä koskaan yhdistä laitetta sähköpistokkeeseen tai käytä laitetta, mikäli kuntolaitteessa itsessään tai sen virtajohtossa on havaittavissa vahingoittumista.
- Älä koskaan käytä tai liitä laitetta sähköpistokkeeseen kosteissa tiloissa, ulkotiloissa tai pölyisissä olosuhteissa.
- Pidä virtajohto aina erillään kuumista kappaleista.
- Älä reititä virtajohtoa maton alle tai aseta mitään esineitä johdon päälle. Varmista myös, ettei johto jää laitteen alle.
- Älä koskaan muuta (esimerkiksi pidennä) virtajohtoa muuntajan ja laitteen välillä.

LAITTEEN ASENNUKSESTA

Aloita asennus avaamalla pakkaus. Yksityiskohtaiset asennusohjeet löydät tämän käyttöohjeen takaosasta. Noudata asennusohjeita annetussa järjestyksessä.

Tarkista ennen asennusta, että pakkaus sisältää

kaikki asennusohjeessa mainitut osat. Mikäli joku osista puuttuu, selvitä laitteesi malli, sarjanumero ja puuttuvan osan varaosanimike. (Varaosaluetteloon löydät tämän käyttöohjeen takaosasta.) Ota sitten ystävällisesti yhteyttä kauppiaseen, jolta olet laitteesi hankkinut. Asennuspakkauksessa olevat osat on merkitty varaosaluetteloon * merkillä. Suunnat vasen, oikea, etu ja taka on määritelty harjoitteluasennosta katsottuna. Säilytä työkalut, sillä saatat tarvita niitä myöhemmin, kun esimerkiksi säädät kuntolaitettasi. Huomaa, että laitteen asentamiseen tarvitaan kaksi ihmistä.

Pakkaus sisältää silikaattipussin ilman kosteuden imemiseksi varastoinnin ja kuljetuksen aikana. Ole hyvä ja heitä pussi pois, kun olet asentanut laitteesi. Laitetta asentaessasi tarvitset vähintään 100 cm vapaata tilaa laitteen ympärille kaikkissa suunnissa. Avaa pakkaus ja asenna laite suojatulla alustalla.

TERVETULOA TUNTURIKUNTOILIJOIDEN

JOUKKOON!

Valintasi osoittaa, että tahdot todella huolehtia kunnostasi; valintasi osoittaa myös sen, että arvostat korkeaa laatua ja tyylikkyyttä. Tunturi-kuntolaitteen myötä olet valinnut korkealuokkaisen, turvallisen ja motivoivan kuntolaitteen harjoituskumppaniksesi. Olkoon tavoitteesi kuntoilun saralla mikä tahansa, olemme varmoja, että tällä Tunturin kuntolaitteella tulet tavoitteesi saavuttamaan. Lisätietoa Tunturin kuntolaitteista sekä harjoittelusta löydät internetistä Tunturin kotisivuilta WWW.TUNTURI.COM.

HARJOITTELU

Harjoittelu tällä Tunturi-kuntolaitteella on erinomaista aerobista liikuntaa, jonka perusideana on, että liikunta on sopivan kevyttä mutta pitkäkestoista. Aerobinen liikunta perustuu elimistön maksimaalisen hapenottokyvyn parantamiseen: se puolestaan lisää kestävyyttä ja kuntoa. Elimistön kyky käyttää rasvaa polttoaineena on suoraan riippuvainen sen kyvystä kuljettaa hapetta. Aerobinen liikunta on ennen muuta miellyttävää. Hien pitää nousta pintaan, mutta liikunnan aikana ei saa hengästyä.

Liikkua pitäisi vähintään kolme kertaa 30 minuuttia viikossa. Näin saavutetaan peruskunto. Sen säilyminen edellyttää paria liikuntakertaa viikossa. Kun peruskunto on saavutettu sen nostaminen on helppoa vain harjoituskertoja lisäämällä. Liikunta palkitsee laihduttajan aina, sillä se on ainoa keino lisätä elimistön energiankulutusta. Siksi etenkin laihduttajan kannattaa liittää vähäkaloriseen ruokavalioon aina myös säännöllinen liikunta. Laihduttajan olisi syytä liikkua päivittäin; aluksi joko 30 minuuttia kerrallaan tai pienempinä jaksoina ja vähitellen lisäten päivittäistä määrää tuntiin.

Nouse laitteen päälle siten, että pidät kiinni laitteen kiinteästä käsituesta. Aseta jalkasi jalkalaudalle, joka on ala-asennossa, jolloin se on vakaa. Liikkeelle kannattaa lähteä rauhallisesti alhaisella poljentanopeudella ja pienellä vastuksella. Kova

rasitus ylipainoisella voi kuormittaa liikaa sydäntä ja verenkiertoelimistöä. Kunnon kohotessa vastusta ja poljentanopeutta voidaan vähitellen lisätä. Liikunnan tehoa voidaan arvioida sydämen sykkeen avulla. Mittarin syketoiminnon avulla voit helposti seurata sykettäsi harjoittelun aikana ja varmistaa, että harjoittelu on riittävän tehokasta, muttei liian kuormittavaa. Aloita rauhallisella tahdilla ja pienellä vastuksella. Nopeuta tahtia ja lisää vastusta vähitellen oman kuntosi mukaan. Pidä pää ylhäällä ja niska suorana, jotta niskasi, hartiasi ja selkäsi eivät rasitu. Pidä aina myös selkä suorana. Varmista, että jalkasi ovat harjoittellessa suurin piirtein jalkalautojen keskellä, ja että lantio, polvet, nilkat, varpaat osoittavat eteenpäin. Säilytä vartalon painopiste alaraajoissa riippumatta siitä nojaatko eteenpäin vai seisotko suorana. Lopeta harjoittelu hidastamalla askellustahtia vähitellen.

Poistu laitteen päältä sitten, kun poljinvarsien liike on täysin pysähtynyt. Siirry pois laitteen päältä pitäen kiinni kiinteästä käsituesta.

Muista venyttellä lopuksi. Kehittääksesi sydän- ja verenkiertoelimistön kuntoa, harjoittele pienellä vastuksella ja nopealla askellustahdilla. Harjoittelu suuremmalla vastusmäärällä ja hitaammalla tahdilla vahvistaa vastaavasti selkää ja lanteita.

SYKE

Sykettä voidaan mitata mittarin sisälle valmiiksi asennetun sykevastaanottimen avulla Polarin sykellähettimen kanssa. Olipa tavoitteesi harjoittelussa mikä hyvänsä, parhaaseen tulokseen pääset harjoittelemalla oikealla rasiustasolla.

TÄRKEÄÄ! Mikäli käytät sydämentahdistinta, varmista lääkäriltäsi, että voit käyttää langatonta sykemittausta.

Luotettavimmaksi sykkeenmittausperiaatteeksi on todettu langaton sykkeenmittaus, jossa rintakehällä kiinnitettävän lähettimen elektrodit siirtävät sykeimpulssit sydäimestä sähkömagneettisen kentän avulla mittarille. Mikäli haluat mitata sykettä langattomasti harjoittelun aikana, kostuta huolellisesti lähetinvyössä olevat, ihoa vasten tulevat uralliset elektrodit vedellä tai syljellä. Mikäli käytät lähetintä paidan päällä, kostuta paita elektrodipintoja vastaavilta kohdilta. Kiinnitä lähetin joustavan vyön avulla sopivan tiukasti rintalihasten alapuolelle siten, että elektrodit pysyvät ihokontaktissa polkemisen aikana. Lähetin ei kuitenkaan saa olla liian tiukalla, jottei esim. normaali hengitys vaikeudu. Sykellähettin siirtää sydämen sykelukeman automaattisesti sykevastaanottimelle n. 1 m:n etäisyyteen saakka.

Mikäli elektrodipinnat eivät ole kosteat, sykelukema ei ilmesty mittarin näyttöön. Siksi jos elektrodit kuivuvat iholla, kostuta ne uudelleen. Muista myös, että elektrodien tulee antaa lämmetä iholla kehon lämpöiseksi, jotta mittaus toimisi luotettavasti. Jos langattomasti sykettä mittaavia laitteita on useampia vierekkäin, niiden välisen etäisyyden tulee olla vähintään 1,5 m. Vastaavasti jos käytössä

on vain yksi vastaanotin, mutta useampi lähetin, saa mittauksen aikana lähetyskäytävällä olla vain yksi henkilö, jolla on lähetin. Lähettimen toiminta lakkaa, kun otat sen pois yltäsi. Kosteus saattaa kuitenkin aktivoida lähettimen, jolloin patterin käyttöikä lyhenee. Siksi on tärkeää kuivata lähetin huolellisesti käytön jälkeen.

Huomioi harjoitusvaatetuksessasi että tietyt vaatteisiin käytetyt kuidut (esim. polyesteri, polyamidi) tuottavat staattista sähköä, mikä saattaa estää luotettavan sykemittauksen. Huomioi että matkapuhelin, tv ja muut sähkölaitteet muodostavat ympärilleen sähkömagneettisen kentän, joka aiheuttaa ongelmia sykemittauksessa.

PULSSINMITTAUS KÄSIANTUREIDEN AVULLA

CF35:n pulssinmittaus perustuu käsituissa oleviin antureihin, jotka mittaavat pulssia aina kun laitteen käyttäjä koskettaa molempia sensoreita yhtäaikaaisesti. Luotettava pulssinmittaus edellyttää että iho on jatkuvassa kosketuksessa antureihin ja että sensoreita koskettava iho on hieman kostea. Liian kuiva ja liian kostea iho heikentävät käsipulssinmittauksen toimivuutta.

Paras rasiustason mittari on oman sydämen syketaajuus. Lähde liikkeelle selvittämällä ensin maksimisykearvos eli se lyöntimäärä, josta sykkeesi ei enää nouse, vaikka rasitus lisääntyisikin. Jos et tiedä omaa maksimisykearvos, voit käyttää seuraavaa kaavaa suuntaa antavana:

220 - IKÄ

Maksimisyke voi vaihdella yksilöllisesti runsaastikin. Maksimisyke putoaa keskimäärin yhden sykkeen vuodessa. Varsinkin siinä tapauksessa, että kuulut johonkin riskiryhmään, kannattaa sinun ehdottomasti varmistaa maksimisykkeesi lääkärin avustuksella. Olemme määritelleet kolme eri sykealuetta, joista löydät tavoitteitasi parhaiten vastaavat harjoittelalueet.

ALOITTELIJAN TASO • 50 - 60 %
maksimisykkeestä

Tämä taso on sopiva laihduttajille, toipilaille ja niille, jotka eivät ole harrastaneet liikuntaa aikaisemmin tai pitkään aikaan. Suositeltava harjoitusmäärä on kolme kertaa viikossa vähintään puoli tuntia kerrallaan.

KUNTOILIJAN TASO • 60 - 70 % maksimisykkeestä

Tämä taso sopii erinomaisesti kunnon kohottamiseen ja ylläpitämiseen. Harjoituksen tulisi kestää kerrallaan vähintään puoli tuntia ja harjoituskertoja tulisi olla vähintään kolme viikossa. Mikäli haluat kohottaa kuntoasi edelleen, sinun on lisättävä joko harjoituskertoja tai harjoitustehoa (ei kuitenkaan molempia yhtäaikaan).

AKTIIVIKUNTOILIJAN TASO • 70 - 80 %
maksimisykkeestä

Harjoittelu tällä tasolla soveltuu vain erittäin hyväkuntoisille ja edellyttää jo pitkään jatkunutta kuntoa.

MITTARI



PAINIKKEET

1. VALINTAPYÖRÄ

Valintapyörä-painikkeella on kaksi toimintoa: A) Painikkeen pyörittäminen. Pyörittämällä painiketta myötäpäivään selaat valikkoja alas/ oikealle ja lisäät arvoja tai vastusta. Pyörittämällä painiketta vastapäivään selaat valikkoja ylös/ vasemmalle ja vähennät arvoja tai vastusta. B) Painikkeen painallus (ENTER). Painamalla painiketta hyväksyt valintapyörällä tekemäsi valinnan.

2. START/STOP

Aloittaa ja lopettaa harjoituksen. Painamalla harjoituksen aikana kerran tätä painiketta aktivoit keskeytystilan maksimissaan 4 minuutin ajaksi. Voit jatkaa harjoitusta painamalla painiketta uudelleen.

3. RECOVERY

Laskee palautussykkeesi.

4. RESET

Lyhyt painallus: Palaat ohjelmien valintaan. Pitkä painallus: Käynnistää mittarin uudelleen.

5. BODY FAT

Laskee painoindeksisi (BMI) ja näyttää rasvaprosenttisi.

NÄYTÖT

Aika (mm:ss), nopeus (km/h tai ml/h), RPM (kierroksia minuutissa), matka (km tai ml), energiankulutus (kcal), teho (W) ja syke (bpm) näytetään.

OHJELMAT

1. MANUAL ohjelma

Aseta aika ja/tai matka ja/tai energiankulutus ja/tai sykkeen yläraja tavoitteet VALINTAPYÖRÄLLÄ. Aloita harjoitus painamalla START/STOP painiketta. Jos olet asettanut tavoitteita, ne alkavat vähentyä kohti nollaa asettamastasi tavoitteesta. Harjoituksen aikana voit säätää vastusta valintapyörän avulla.

2. VALMISOHJELMAT

Kun selaat valmisohjelmia, näytetään niiden profiili kahden sekunnin jälkeen. Valitse haluamasi valmisohjelma painamalla VALINTAPYÖRÄÄ. Aseta aika ja/tai matka ja/tai energiankulutus ja/tai sykkeen yläraja tavoitteet VALINTAPYÖRÄLLÄ. Aloita harjoitus painamalla START/STOP painiketta. Jos olet asettanut tavoitteita, ne alkavat vähentyä kohti nollaa asettamastasi tavoitteesta. Harjoituksen aikana voit säätää ohjelman vastustasoa valintapyörän avulla.

3. USER OHJELMA

Viimeksi käyttämäsi ohjelmaprofiili näkyy näytöllä. Voit joko aloittaa harjoituksen suoraan omilla muistissa olevilla harjoitustavoitteillasi painamalla START/STOP painiketta tai voit muokata ohjelmaprofiilia. Ohjelmaprofiilin ensimmäinen (1/20) profiilipylväs vilkkuu. Voit nyt muokata sitä. Muokkaa ja hyväksy. Seuraava palkki alkaa vilkkuu. Kun olet muokannut viimeisenkin profiilipylvään, siirtyy muokkaus taas ensimmäiseen pylvääseen. Painamalla ENTER painiketta kahden sekunnin ajan lopetat muokkauksen. Nyt profiili on valmis muistissa olevilla harjoitusarvoillasi (aika, matka ja energiankulutus tavoitteet sekä sykkeen yläraja). Muokkaa tavoitteita, mikäli haluat. Aloita harjoitus painamalla START/STOP painiketta. Jos olet asettanut tavoitteita, ne alkavat vähentyä kohti nollaa asettamastasi tavoitteesta. Harjoituksen aikana voit säätää ohjelman vastustasoa valintapyörän avulla.

4. TARGET HR (H.R.C.)

Valitse neljän syketasovaihtoehdon (55%, 75%, 90% tai TARGET) välillä. Valitsemalla TARGET voit asettaa oman tavoitesykkeesi.

Aloita harjoitus painamalla START/STOP painiketta. Jos olet asettanut tavoitteita, ne alkavat vähentyä kohti nollaa asettamastasi tavoitteesta. Harjoituksen aikana laite säätää automaattisesti vastusta siten että tavoitesykkeesi saavutetaan ja ylläpidetään.

3. RECOVERY

Aloita palautussykkeen laskenta harjoituksen jälkeen painamalla RECOVERY painiketta. Palautussykkeen laskenta voidaan aloittaa vain jos sykemittaus on aktivoitu ja sykelukema näkyy näytöllä. Laskenta kestää 60 sekuntia. 60 sekunnin jälkeen näytöllä näkyy palautus indeksisi F1-F6 (F1 = paras tulos). Palataksesi päänäyttöön paina RECOVERY painiketta uudelleen.

6. BODY FAT

Paina BODY FAT painiketta käynnistääksesi mittauksen. Pidä kumpikin käsi käsisykeantureilla ja odota 8 sekuntia. Käyttöliittymä näyttää rasvaprosenttisi ja painoindeksisi 30 sekunnin ajan.

KÄYTTÄJÄTIETOJEN ASETTAMINEN

Välittömästi käyttöliittymän uudelleen käynnistämisen tai resetoinnin (pitkä painallus) jälkeen pääset käyttäjävalikkoon. Valitse käyttäjä ja hyväksy. Aseta sukupuoli, ikä, pituus ja paino. Henkilökohtaiset harjoitusarvoset (aika, matka, energiankulutus, sykkeen yläraja ja ikä) pysyvät muistissa ja ovat oletuksena aina kun käyttäjä valitaan.

LISÄHUOMAUTUKSET

- Nopeuden ja matkan yksiköiksi voit valita joko metriset tai englantilaiset yksiköt käyttämällä käyttöliittymän takakannassa olevaa KM/ML kytkintä. Virtajohto pitää kytkeä uudelleen, jotta valinta tulee voimaan.
- Jollet harjoittele ja mitään näppäintä ei paineta neljään minuuttiin, käyttöliittymä siirtyy uni-tilaan, jolloin huoneen lämpötila näkyy näytöllä.
- Harjoitus on mahdollista keskeyttää maksimissaan 4 minuutin ajaksi painamalla START/STOP painiketta. Painamalla painiketta uudelleen voit jatkaa harjoitusta 4 minuutin aikana.
- Harjoitustavoitteiden (aika, matka, energiankulutus, sykkeen yläraja) asettaminen on mahdollista vain silloin kun laite on STOP-tilassa.
- Jollet halua uudelleen asettaa käyttäjätietojasi aina mittarin käynnistämisen jälkeen, voit painaa START/STOP näppäintä ohittaaksesi käyttäjätietojen muokkaamisen. Tällöin siirryt suoraan harjoittelemaan Manual ohjelmaan.
- Tämä kuntolaite ei sovellu terapeuttikäyttöön.
- Energiankulutus lasketaan perustuen keskimääräisiin arvoihin ja se esitetään kilokaloreina. Voit muuttaa kalorit jouleiksi käyttämällä seuraavaa kaavaa: $1 \text{ Kcal} = 4.187 \text{ KJ}$.
- Jos harjoittelet sykemittausta (sykevyö tai käsisyke) käyttäen, voit asentaa sykkeellesi ylärajan. Kun raja ylittyy, laite antaa äänimerkin.
- Valmisohjelmat on jaettu 16 profiilipylvääseen. Yhden profiilipylvään kesto riippuu koko harjoituksen kestosta. Mikäli tavoiteaikaa ei ole asetettu, on yhden pylvään kesto 100 m.
- Jos olet asettanut useita tavoitteita, harjoitus päättyy, kun joku tavoitteista saavuttaa nollan. Voit käynnistää harjoituksen uudelleen painamalla START/STOP näppäintä.
- Huomaa, että palautussykkeen laskennan tulos on suorassa suhteessa sykkeisiin mittauksen aloitus- ja lopetushetkillä.
- H.R.C. ohjelmassa syketavoitteet (55%, 75% ja 90%) lasketaan prosentteina iän mukaan arvioidusta maksimisykkeestäsi (maksimisyke = $220 - \text{ikä}$).
- Automaattiset vastuksen säädöt H.R.C. ohjelmassa tapahtuvat ylöspäin 30 sekunnin välein

ja alaspäin

15 sekunnin välein, mikäli tavoitesykettä ei ole saavutettu +/- 3 sykkeen tarkkuudella.

14. BODY FAT on henkilökohtainen mittaus ja perustuu keskimääräisiin eurooppalaisiin väestötietoihin.

B.M.I. (painoindeksi) taulukko:

ALHAINEN < 20

ALHAINEN / KESKIVERTO 20 – 24

KESKIVERTO 24 - 26,5

KESKIVERTO / KORKEA > 26,5

BMI laskentakaava: paino (kg) / pituus² (m)

BODY FAT % (keskimääräinen eurooppalainen väestö) taulukko:

Miehet:

ALHAINEN < 13

ALHAINEN / KESKIVERTO 13 – 26

KESKIVERTO 26 – 30

KESKIVERTO / KORKEA > 30

Naiset:

ALHAINEN < 23

ALHAINEN / KESKIVERTO 23 – 36

KESKIVERTO 36 – 40

KESKIVERTO / KORKEA > 40

HUOLTO

CF35:n huoltotarve on vähäinen. Tarkista kuitenkin aika ajoin kaikkien kiinnitysruuvien ja -muttereiden kireys.

- Pyyhi laitteesi kaikki osat harjoituksen päätyttyä hikivedestä pehmeällä, imukykyisellä liinalla. Älä käytä liuottimia.
- Älä poista laitteen suojakoteloita paikaltaan.
- Sähkömagneettijarru muodostaa magneettikentän, joka saattaa vioittaa esimerkiksi rannekellon mekanismia tai luotto- tai pankkikorttien magneetintunnistinnauhaa näiden joutuessa välittömään kosketukseen magneettikentän kanssa. Älä koskaan yritä irrottaa tai poistaa sähkömagneettijarrua!
- Sähkömagneettijarrun toiminta perustuu sähkömagneettiseen vastukseen: vastustaso mitataan elektronisesti ja näytetään teholumenana (watt) käyttöliittymän näytöllä.

Mittaustavasta johtuen Sinun ei tarvitse kalibroida ergometriäsi, mikäli asennat, huollat ja käytät sitä tämän oppaan ohjeiden mukaisesti.

KÄYTTÖHÄIRIÖT

Jatkuvasta laaduntarkkailusta huolimatta laitteessa saattaa esiintyä yksittäisistä komponenteista johtuvia yksilövikoja tai toimintahäiriöitä. Koko laitteen toimittaminen korjattavaksi on yleensä tarpeeton, sillä vika on useimmiten korjattavissa ko. osan vaihdolla.

TÄRKEÄÄ! Mikäli laitteen toiminnassa ilmenee

häiriöitä käytön aikana, ota välittömästi yhteys laitteen myyjään. Ilmoita laitteesi malli ja sarjanumero (sarjanumerotarran sijainnin näet tämän käyttöohjeen etukannen sisäpuolelta). Ilmoita lisäksi häiriön luonne, laitteen käyttöympäristö sekä ostopäivämäärä.

Mikäli tarvitset laitteeseesi varaosia, ota yhteys laitteen myyjään. Ilmoita aina laitteen malli, sarjanumero sekä tarvittavan osan varaosanumero. Varaosaluettelon löydät tämän oppaan lopusta. Laitteessa saa käyttää vain varaosalistassa mainittuja osia.

KULJETUS JA SÄILYTYS

CF35 on varustettu siirtopyörillä. Siirrä CF35 seuraavan ohjeen mukaisesti, jotta vältät mahdolliset vaaratilanteet.

Muista aina irrottaa virtajohto ennen laitteen siirtoa.

Laitteen siirtoon tarvitaan kaksi aikuista henkilöä. Asettukaa laitteen etupäähän, eri puolille laitetta ja ottakaa tukeva, pitävä ote käsikahvoista. Nostakaa laitteen etupäätä ylös siten, että laitteen takaosa nousee siirtopyörien varaan. Siirtäkää laite siirtopyörien varassa ja laskekaa laite varovasti alas.

Siirrä laite erityisellä varovaisuudella lattian epätasaisuuksien, esim. kynnysten yli. Rapuissa laitetta tulee aina kantaa. Laitteen siirtäminen saattaa vahingoittaa joitakin lattiamateriaaleja, esim. puuparkettia. Suojaa lattia siirtäessäsi laitetta vahinkojen estämiseksi.

Toimintahäiriöiden välttämiseksi säilytä laitetta mahdollisimman kuivassa ja tasalämpöisessä paikassa pölyltä suojattuna.

MITAT

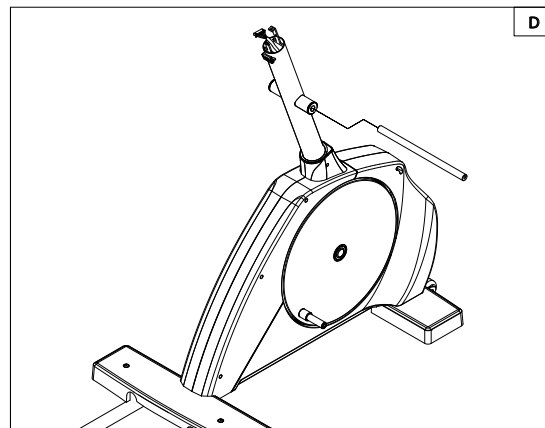
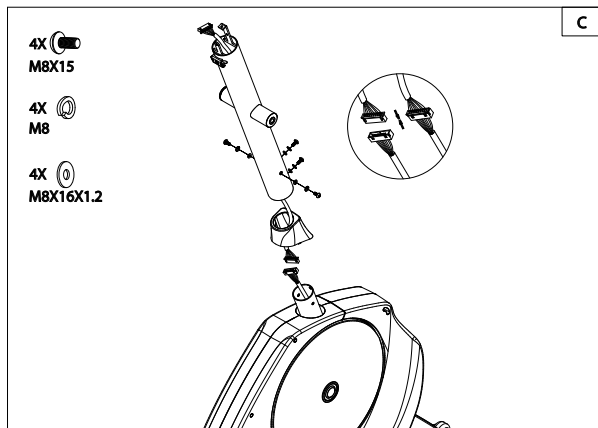
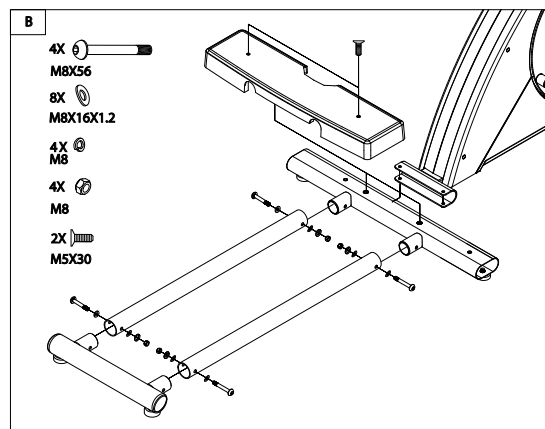
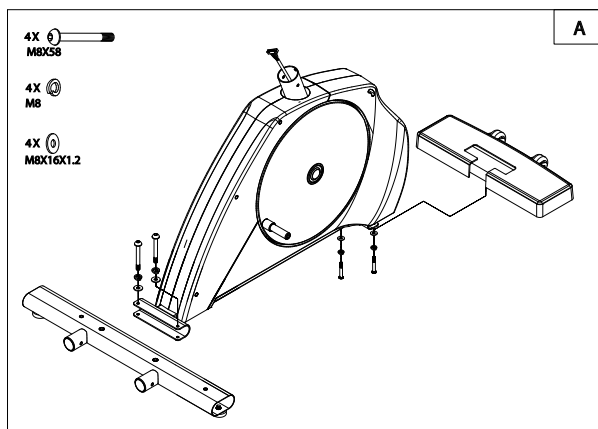
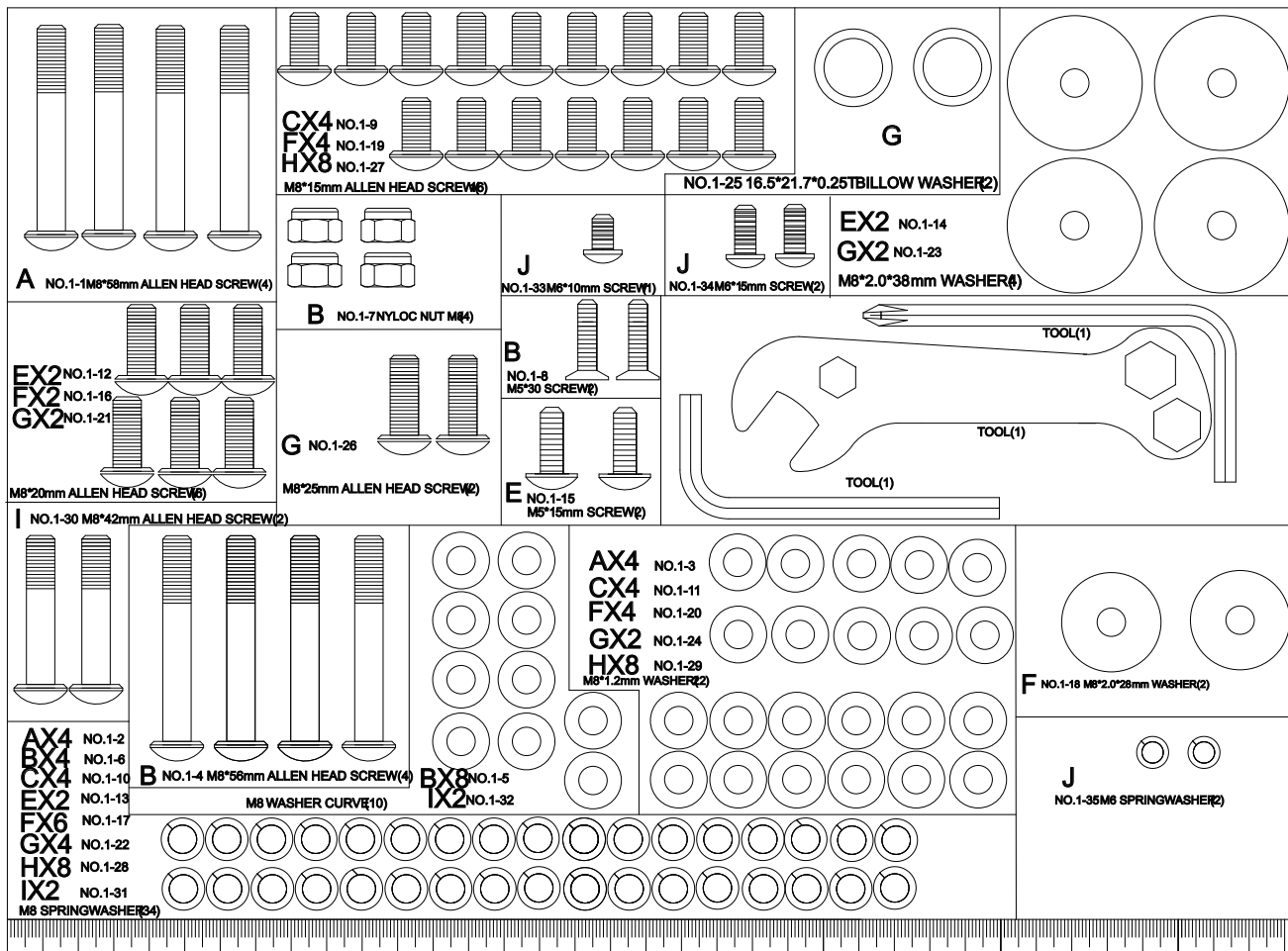
Pituus..... 183 cm
Leveys 70 cm
Korkeus..... 170 cm
Paino..... 69 kg

CF35 on suunniteltu täyttämään sähkömagneettista yhteensopivuutta koskevan EU:n EMC-direktiivin. Tuote on varustettu sen mukaisesti CE-tarralla.

CF35 on EN-957-kuntolaitestandardin mukainen A-tarkkuusluokan kuntolaite. Tehonmittauksen tarkkuus varmistetaan tuotantovaiheessa säätämällä laitteen jarru dynamometrin avulla. Harjoitustehon laskenta perustuu kierrosnopeuteen ja momenttiin.

TÄRKEÄÄ! Annettuja ohjeita laitteen asennuksesta, käytöstä ja huollosta tulee noudattaa huolellisesti. Takuu ei korvaa vahinkoja, jotka ovat aiheutuneet kyseisten ohjeiden laiminlyönneistä. Mikäli laitteeseen tehdään muutoksia joita Tunturi Oy Ltd ei nimenomaisesti ole hyväksynyt, laitetta ei saa käyttää.

OIKEUDET MUUTOKSIIN PIDÄTETÄÄN JATKUVAN TUOTEKEHITYKSEN VUOKSI.



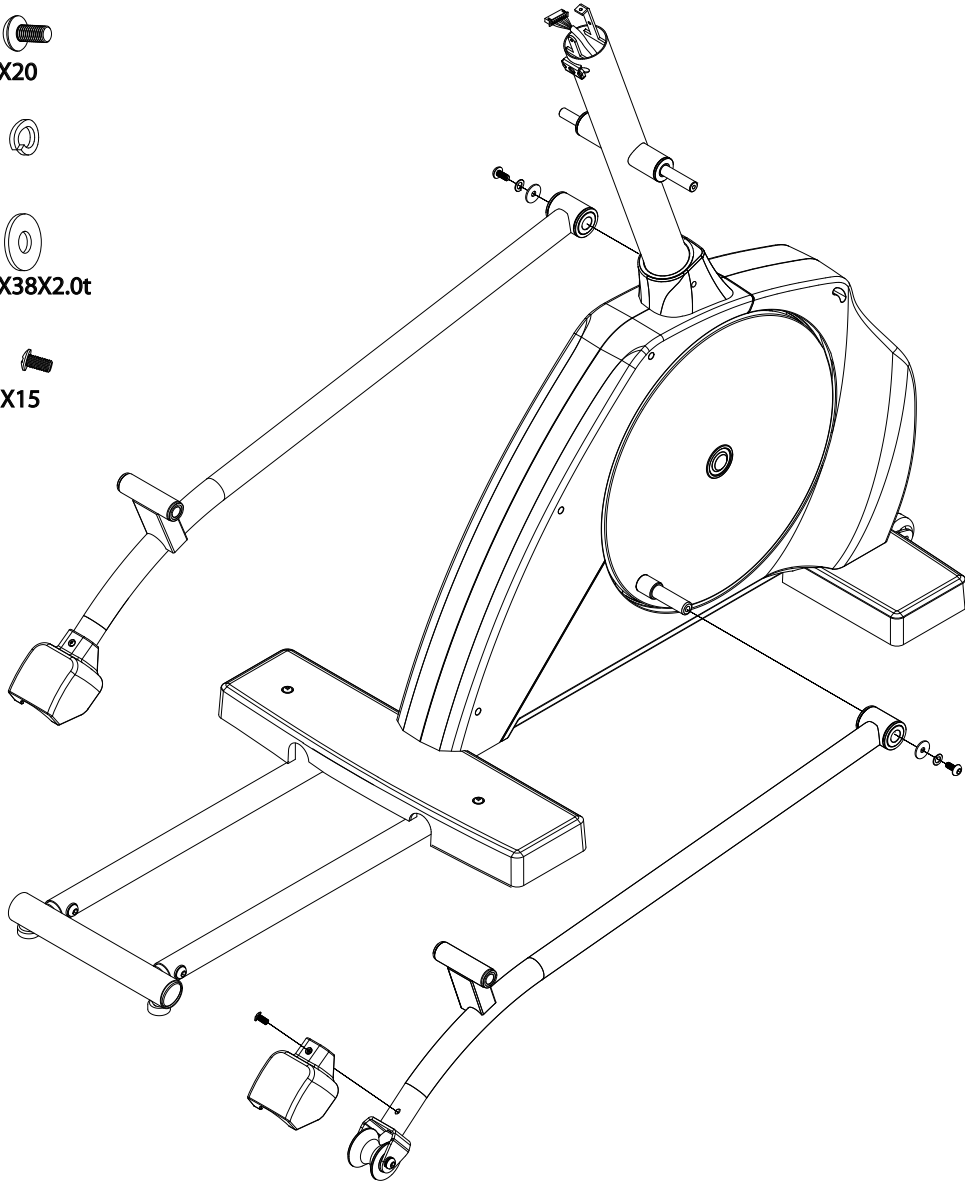
E

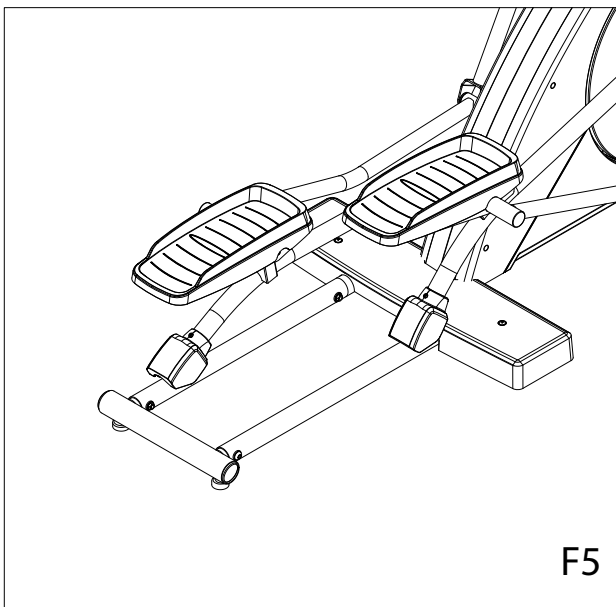
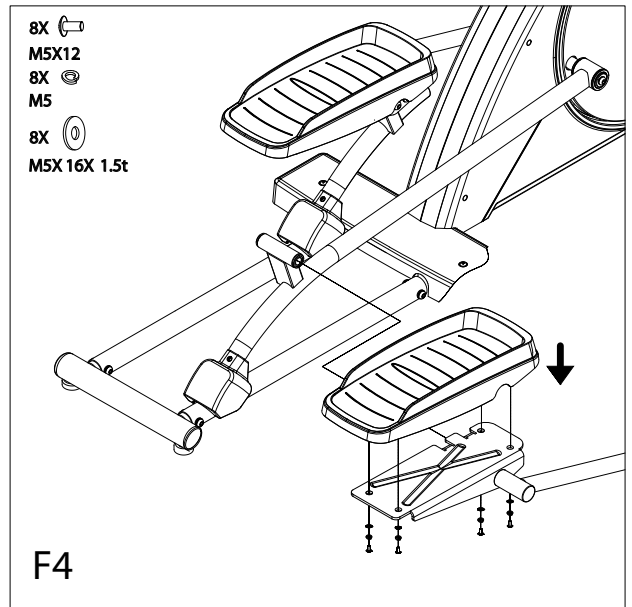
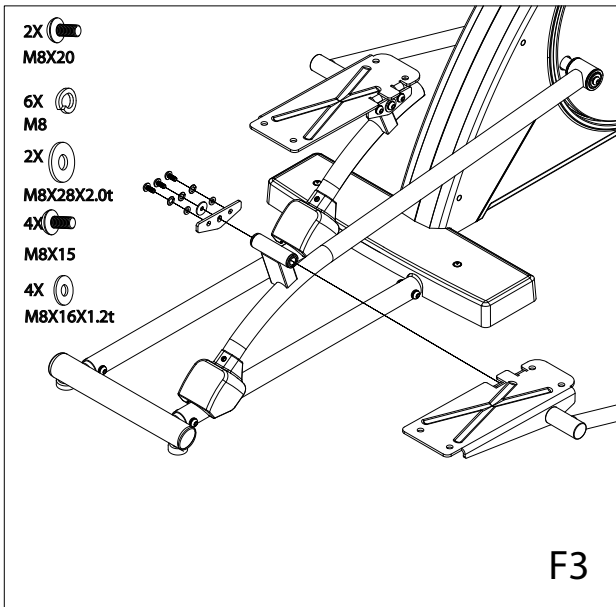
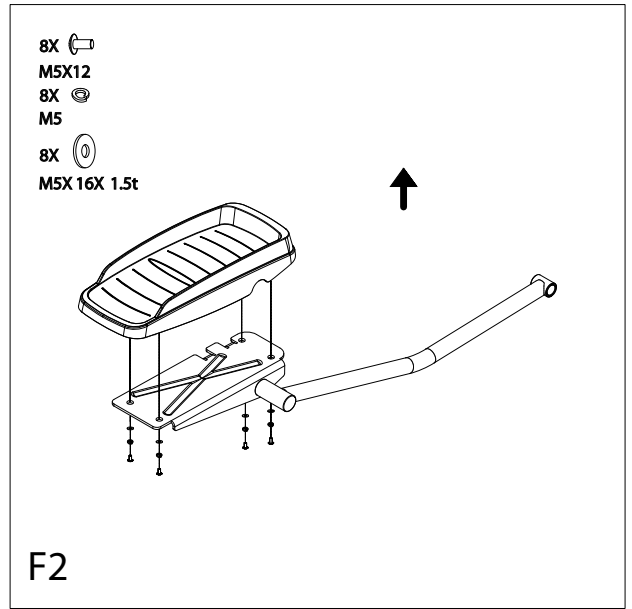
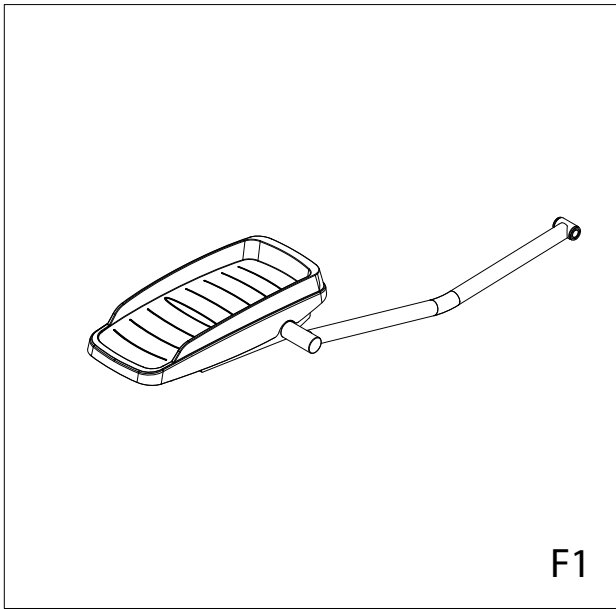
2X 
M8X20

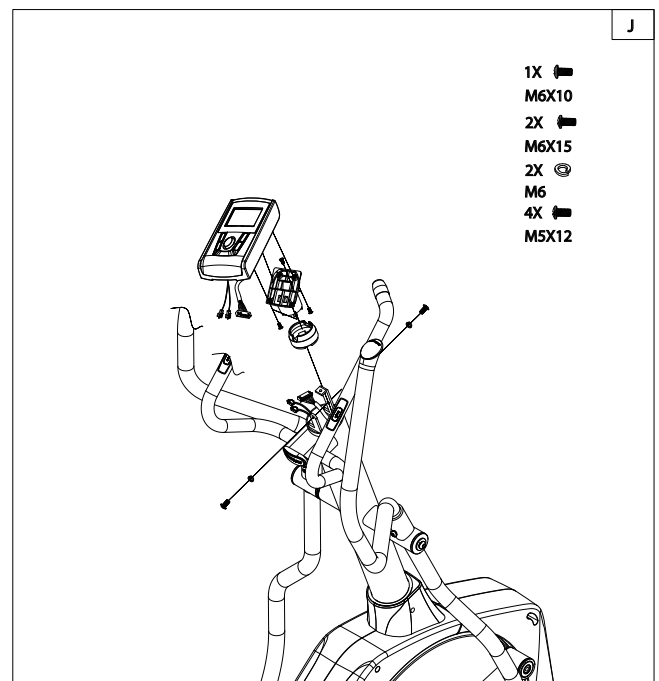
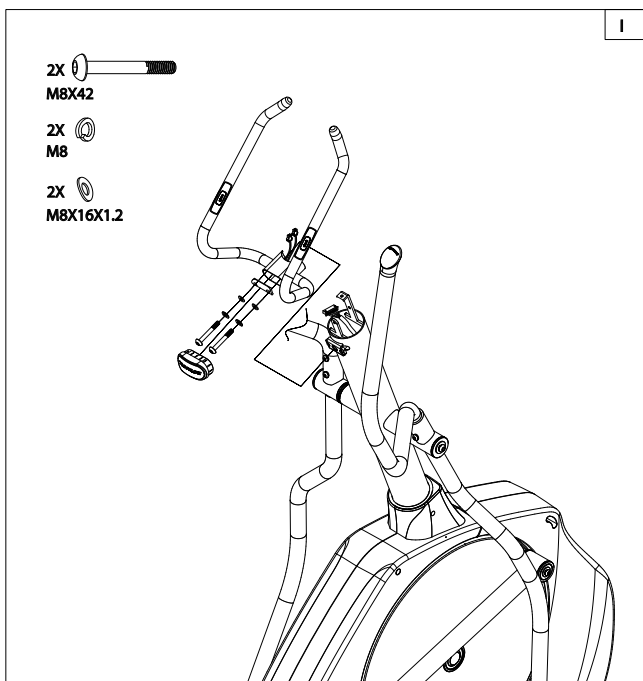
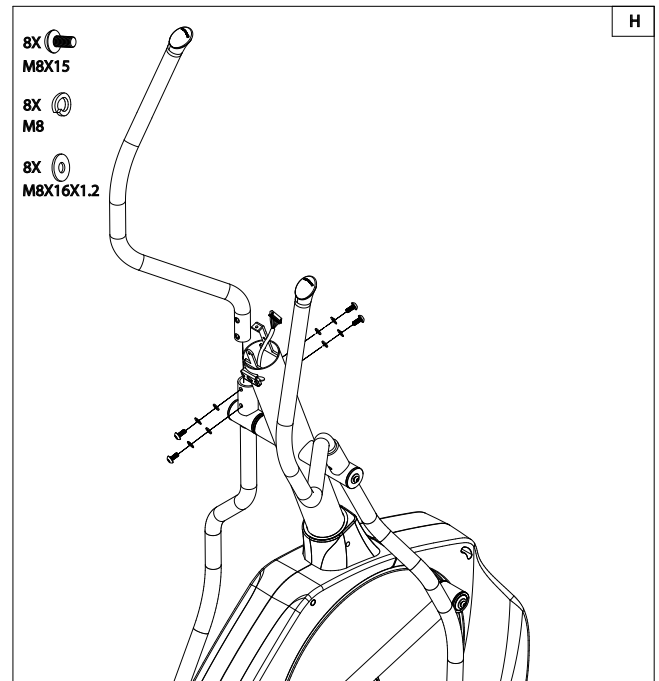
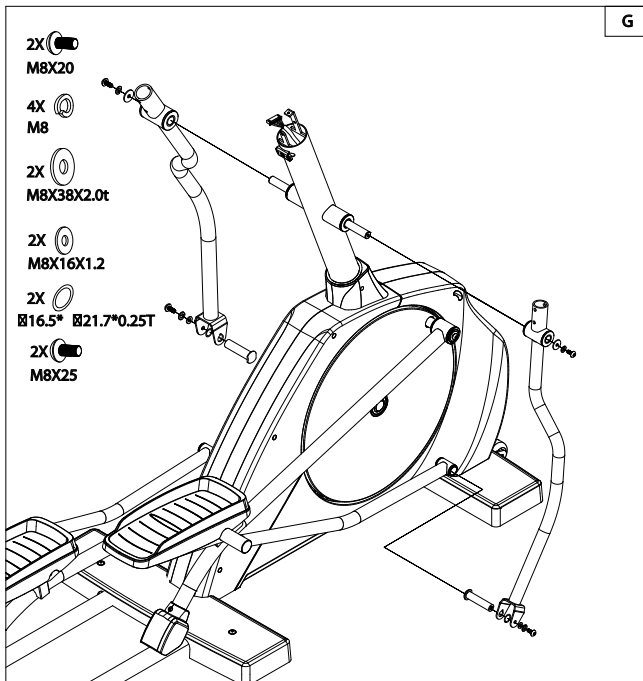
2X 
M8

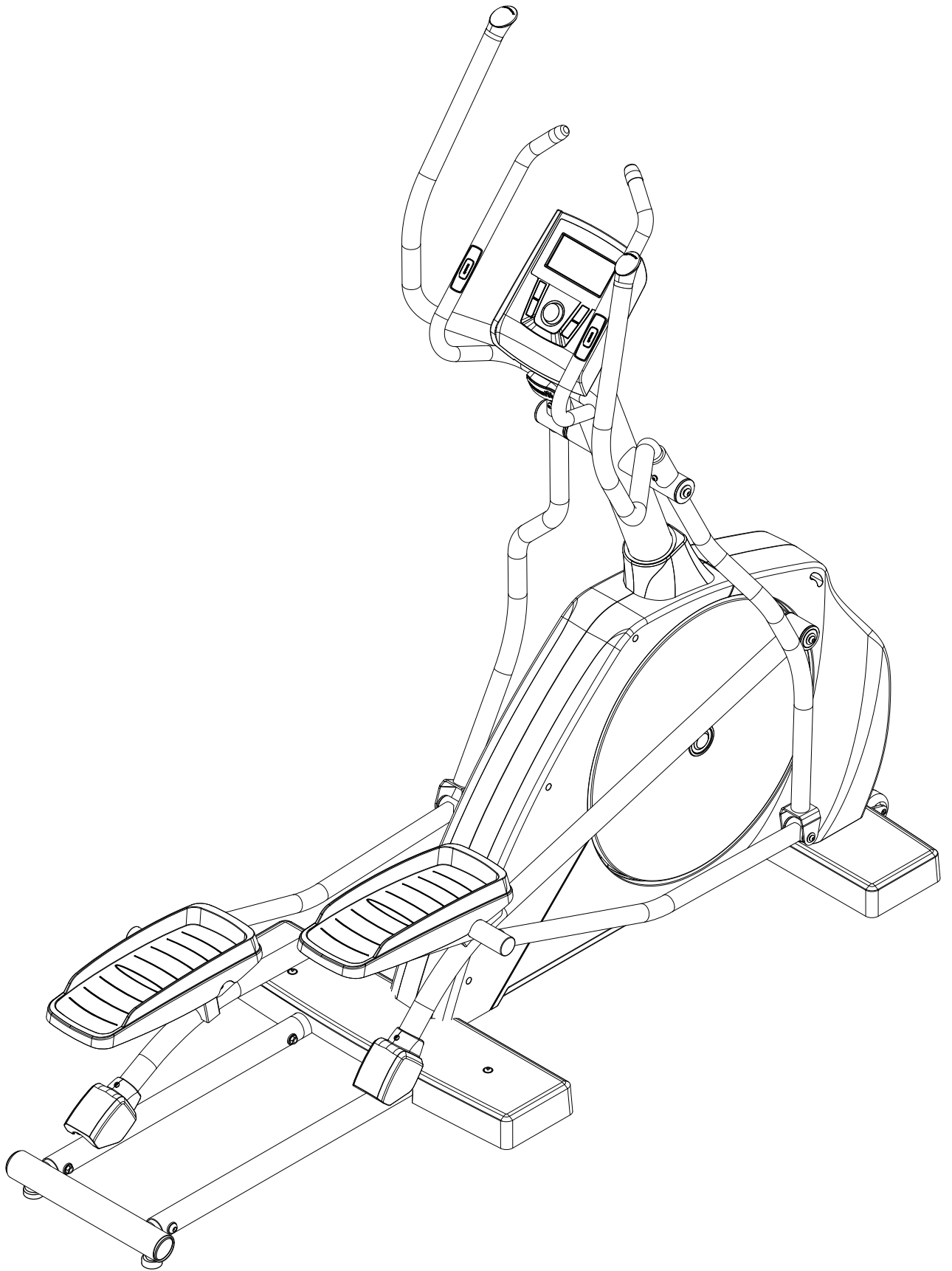
2X 
M8X38X2.0t

2X 
M5X15

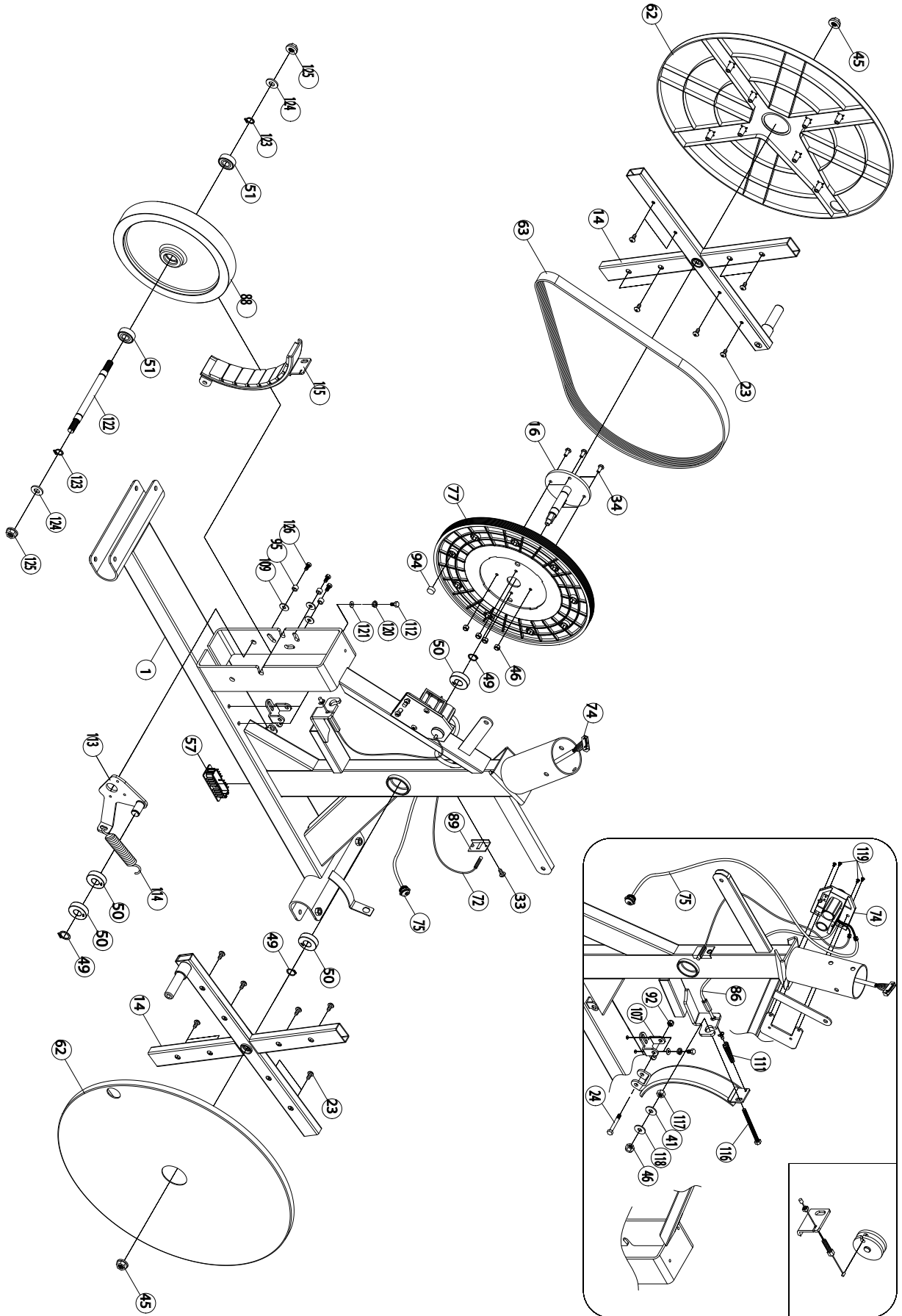


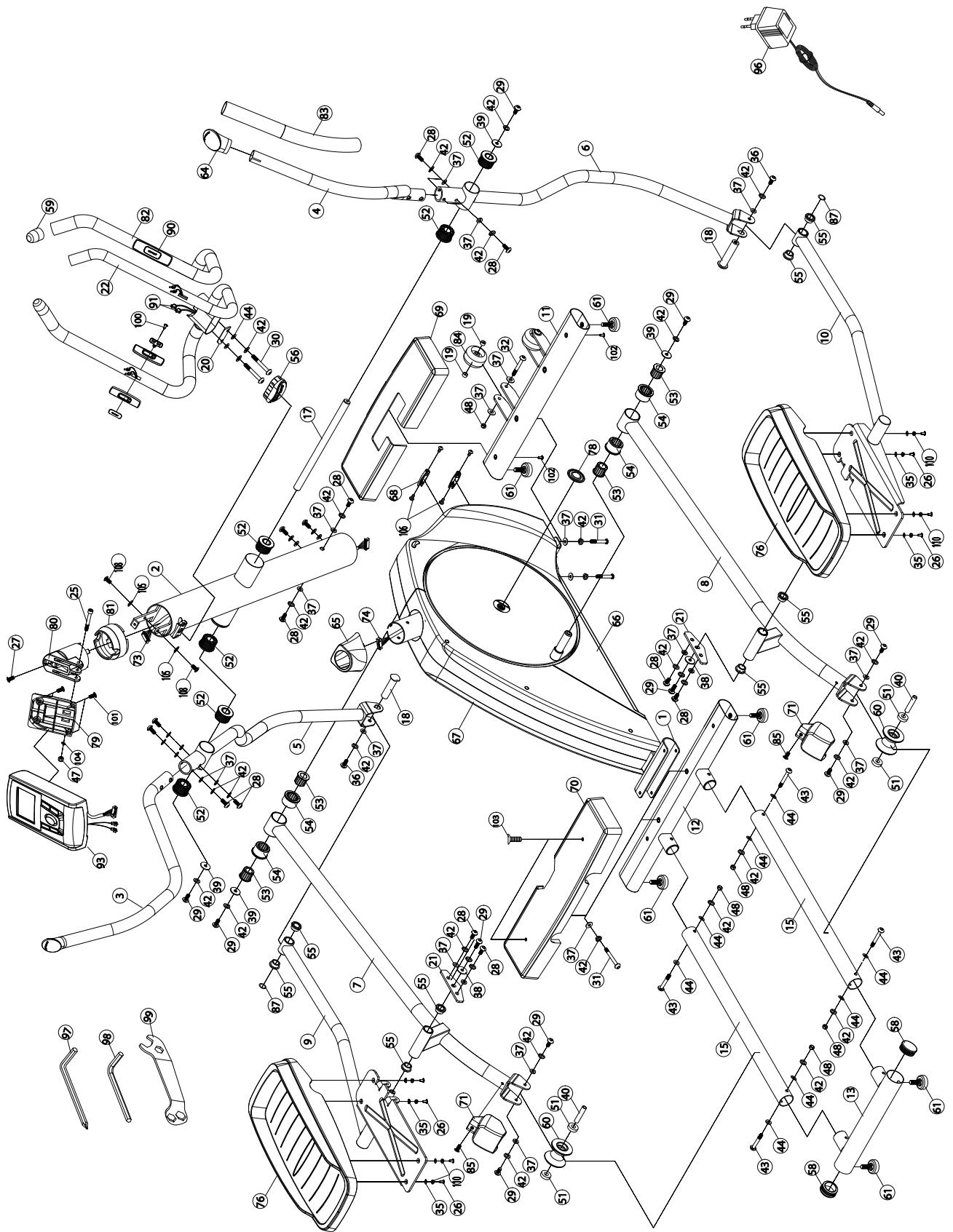






NR.	CODE	DESCRIPTION	QTY.			
				65	173 9056	TOP SLEEVE 1
				66	173 9080	CHAIN COVER (L) 1
				67	173 9081	CHAIN COVER (R) 1
1	103 2038	BASE FRAME	1	68	173 9059	SCREW COVER 2
2	103 9040	UPRIGHT TUBE	1	69	173 9060	FRONT FOOT COVER 1
3	203 9025	UPPER SWIVEL HANDLE BAR (L) 1		70	173 9061	MIDDLE FOOT COVER 1
4	203 9026	UPPER SWIVEL HANDLE BAR (R)1		71	173 9082	RAIL COVER 1
5	203 9027	LOWER SWIVEL HANDLE BAR (L)1		72	M6*15MM	SCREW 1
6	203 9028	LOWER SWIVEL HANDLE BAR (R)1		73	403 1209	UPPER COMPUTER CABLE 1
7	103 9041	PEDAL TUBE (L)	1	74	643 2014	SPRING 1
8	103 9042	PEDAL TUBE (R)	1	75	403 1210	WIRE ROD 1
9	103 9043	OUTER PEDAL POST, LEFT	1	76	363 1025	PEDAL 2
10	103 9044	OUTER PEDAL POST, RIGHT	1	77	303 1040 20	PULLEY 1
11	103 9045	FRONT FOOT	1	78	213 1029	TURNING PLATF COVER 2
12	103 9046	MIDDLE FOOT	1	79	503 4103	METER ADJ. BRACKET 1
13	103 9047	REAR FOOT	1	80	503 4104	METER BRACKET 1
14	103 9048	CROSS FRAME	2	81	503 4105	ADAPTOR SOCKET 1
15	104 9045	RAIL	2	82	213 1041	FIX HANDLEBAR FOAM GRIPS 2
16	303 1055	AXLE FOR PULLEY	1	83	213 1031	HANDLEBAR FOAM GRIPS 2
17	303 1056	AXLE SUPPORT	1	84	533 4160	MOVING WHEEL 2
18	104 9046	PEDAL TUBE SHAFT	2	85	M5*15MM	SCREW 2
19	104 9047	BUSHING	4	86	M5*15MM	SCREW 4
20	503 9022	CURVE BRACKET	1	87	653 7074	WAVE WASHER 2
21	653 7072	BRACKET FOR PEDAL	2	88	403 1211	SERVO MOTOR 1
22	203 4096	FIX HANDLEBAR	1	89	M6*10MM	SCREW 4
23	M5*20MM	SCREW	16	90	403 1198	HAND PULSE SET 2
24	M8*52MM	HEX HEAD BOLT	1	91	403 4215 20	HAND PULSE WIRE 1
25	M6*53MM	SCREW	1	92	503 4106	SENSOR BRACKET 1
26	M5*10MM	SCREW	8	93	235 1070	CONSOLE 1
27	M6*10MM	SCREW	3	94	403 9045	MAGNET 1
28	M8*15MM	ALLEN HEAD SCREW	24	95	M6*12MM	SCREW 1
29	M8*20MM	ALLEN HEAD SCREW	12	96		ADAPTOR 1
30	M8*42MM	ALLEN HEAD SCREW	2		403 0062EU	
31	M8*58MM	ALLEN HEAD SCREW	4		403 0062US	
32	M8*63MM	ALLEN HEAD SCREW	2		403 0062UK	
33	M8	NYLOC NUT	1		403 0062AUS	
34	M6*18MM	HEX HEAD BOLT	4			
35	M5*1,5MM	WASHER	8	97	556 0002	TOOL 1
36	M6*1,2MM	WASHER	2	98	556 0004	TOOL 1
37	M8*1,2MM	WASHER	38	99	556 0005	TOOL 1
38	M8*28MM	WASHER	2	100	M3*15MM	SCREW 2
39	M8*38MM	WASHER	4	101	M5*12MM	SCREW 4
40	303 1031	BUSHING TUBE	2	102	M5*20MM	SCREW 2
41	503 9026	BRACKET FOR MAGNET BOW	1	103	M5*20MM	SCREW 2
42	M8	SPRING WASHER	42	104	M6*1,2MM	WASHER 1
43	M6*1,2MM	WASHER	2	105	556 0006	TOOL 1
44	M8	WASHER CURVE	2	106	556 0007	TOOL 1
45	M10	WH NUT	2	105	403 1212	SENSOR WIRE 1
46	M6	NYLOCK NUT	4	106	403 1213	DC CABLE 1
47	M6	NYLOCK NUT	1	107	M6*1,5MM	WASHER 3
48	M8	NYLOCK NUT	2	108	103 9069	SPACER SLEEVE 3
49	653 7073	CLIP C17	3	109	M6*14MM	M6*14MM HEX HEAD BOLT 3
50	523 4072	BEARING	4	110	503 9026	IDLE BRACKET 1
51	523 4073	BEARING	6	111	643 7009	SPRING 1
52	303 1032	PLUG AXLE SUPPORT	6	112	103 1091 20	MAGNET HOLDER 1
53	303 1033	PLUG AXLE SUPPORT 34	4	113	303 1053 20	FLYWHEEL 1
54	303 1034	PLUG AXLE SUPPORT 30	4	114	303 1054 20	FLYWHEEL AXLE 1
55	104 9048	BUSHING	8	115	653 7077 20	CLIP C12 2
56	213 1040	OVAL END CAP	1	116	M10*2MM	WASHER 2
57	503 7037	SPRING BRACKET	1	117	3/8"	3/8" WH NUT 2
58	213 1026	REAR FOOT COVER	2	-	583 9041	OWNER'S MANUAL 1
59	213 1027	END CAP FOR FIX HANDLEBAR	2			
60	523 4074	ROLLER	2			
61	533 9066	ADJUST FEET	6			
62	213 1037 20	TURNING PEDAL	2			
63	443 4072	BELT	1			
64	213 1028	END CAP FOR HANDLEBAR	2			





TUNTURI®

Austria

Accell Fitness Österreich
Am Messendorgrund 30
A-8042 Graz
Österreich
Tel: +43 316 716412
Fax: +43 316 716435

Benelux

Accell Fitness Benelux
Koningsbeltweg 51
1329 AE ALMERE
The Netherlands
Tel: +31 36 5460050
Fax: + 31 36 5460055

Finland

Accell Fitness Scandinavia
Varusmestarintie 26
20361 TURKU
Finland
Tel: +358 2513 31
Fax: +358 2513 313

Germany

Accell Fitness Deutschland
P/a Koningsbeltweg 51
1329 AE ALMERE
The Netherlands
Tel: +31 36 5460050
Fax: + 31 36 5460055

United Kingdom

Accell Fitness United Kingdom
Bolton House
Nottingham South Industrial Estate
Ruddington Lane
Wilford
Nottingham NG11 7EP
United Kingdom
Tel: +44 115 9822844
Fax: +44 115 9817784

Sweden

Accell Fitness Scandinavia
Varusmestarintie 26
20361 TURKU
Finland
Tel: +358 2513 31
Fax: +358 2513 313

Switzerland

Accell Fitness Schweiz
Altgraben 31
CH-4624 Härlungen SD
Schweiz
Tel: +41 (0)62-3877979
Fax: +41 (0)62-3877970

USA / Canada

Accell Fitness North America Inc.
130 Hayward Ave, Suite 2
N2C 2E4
Kitchener, ON Canada
Tel. 1-888-388-6887
Fax: 1-519-576-2521

www.accellfitness.com

583 40 583 9016

Free Manuals Download Website

<http://myh66.com>

<http://usermanuals.us>

<http://www.somanuals.com>

<http://www.4manuals.cc>

<http://www.manual-lib.com>

<http://www.404manual.com>

<http://www.luxmanual.com>

<http://aubethermostatmanual.com>

Golf course search by state

<http://golfingnear.com>

Email search by domain

<http://emailbydomain.com>

Auto manuals search

<http://auto.somanuals.com>

TV manuals search

<http://tv.somanuals.com>