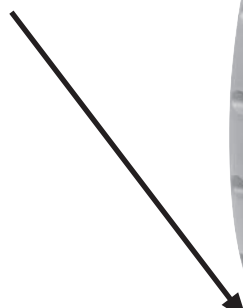


# C20

<b>OWNER'S MANUAL</b>	<b>P. 2-8</b>
<b>BETRIEBSANLEITUNG</b>	<b>S. 9-15</b>
<b>MODE D'EMPLOI</b>	<b>P. 16-22</b>
<b>HANDLEIDING</b>	<b>P. 23-29</b>
<b>MANUALE D'USO</b>	<b>P. 30-36</b>
<b>MANUAL DEL USUARIO</b>	<b>P. 37-43</b>
<b>BRUKSANVISNING</b>	<b>S. 44-49</b>
<b>KÄYTTÖOHJE</b>	<b>S. 50-56</b>

SERIAL NUMBER  
SERIENNUMMER  
NUMERO DE SERIE  
SERIENNUMMER  
NUMERO DI SERIE  
NÚMERO DE SERIE  
SERIENNUMMER  
SARJANUMERO



# CONTENTS

ASSEMBLY .....	3
EXERCISING .....	5
CONSOLE .....	6
TRANSPORT AND STORAGE.....	7
MAINTENANCE .....	8
MALFUNCTIONS .....	8
TECHNICAL SPECIFICATIONS.....	8

## IMPORTANT SAFETY INSTRUCTIONS

Read this guide through carefully before assembling, using or servicing your fitness equipment. Please keep the guide somewhere safe; it will provide you now and in the future with the information you need to use and maintain your equipment. Always follow these instructions with care. Please note that the warranty does not cover damage due to shipping or negligence of adjustment or maintenance instructions described in this manual.

## NOTE ABOUT YOUR HEALTH

- Before you start any training, consult a physician to check your state of health.
- If you experience nausea, dizziness or other abnormal symptoms while exercising, stop your workout at once and consult a physician.
- To avoid muscular pain and strain, begin each workout by warming up and end it by cooling down (slow pedaling at low resistance). Don't forget to stretch at the end of the workout.

## NOTE ABOUT THE EXERCISING ENVIRONMENT

- The equipment is not to be used outdoors.
- Place the equipment on a firm, level surface. Place the equipment on a protective base to avoid any damages to the floor beneath the equipment.

- Make sure that the exercising environment has adequate ventilation. To avoid catching cold, do not exercise in a draughty place.

- In training, the equipment tolerates an environment measuring +10°C to +35°C. The equipment can be stored in temperatures ranging between -15°C and +40°C. Air humidity in the training or storage environment must never exceed 90 %.

## NOTE ABOUT USING THE EQUIPMENT

- If children are allowed to use the equipment, they should be supervised and taught to use the equipment properly, keeping in mind the child's physical and mental development and their personality.

- Before you start using the equipment, make sure that it functions correctly in every way. Do not use a faulty equipment.

- Press the keys with the tip of the finger; your nails may damage the key membrane.

- Never lean on the meter.

- Never remove the side covers. Do not step on the frame casing.

- Only one person may use the equipment at a time.

- Hold the stationary handlebar for support when getting on or off the equipment.

- Wear appropriate clothing and shoes when exercising.

- Protect the meter from sunlight and always dry the surface of the meter if there are any drops of sweat on it.

- The equipment must not be used by persons weighing over 135 kg.

- The equipment has been designed for home use. The Tunturi warranty applies only to faults and malfunctions in home use (24 months). Further information

on warranty terms can be found in the warranty booklet included with the product.

- Do not attempt any servicing or adjustments other than those described in this guide. Everything else must be left to someone familiar with the maintenance of electromechanical equipments and authorised under the laws of the country in question to carry out maintenance and repair work.

## SAVE THIS INSTRUCTION MANUAL

### WELCOME TO THE WORLD OF TUNTURI EXERCISING!

Your choice shows that you really want to invest in your well being and condition; it also shows you really value high quality and style. With Tunturi Fitness Equipment, you've chosen a high quality, safe and motivating product as your training partner. Whatever your goal in training, we are certain this is the training equipment to get you there. You'll find information about using your exercise equipment and what makes for efficient training at Tunturi's website at [WWW.TUNTURI.COM](http://WWW.TUNTURI.COM).

## ASSEMBLY

Start by unpacking the equipment. Two people are needed for the assembly. Check that you have the following parts:

1. Frame
2. Front support
3. Rear support
4. Front frame tube
5. Arms (2)
6. Footrests (2)
7. Meter
8. Handlebar
9. Shaft
10. Transformer
11. Assembly kit (contents marked with \* in the spare part list): keep the assembly tools, as you may need them e.g. for adjusting the equipment

If necessary, please contact your dealer with the model, equipment serial no. and spare part no. of the missing part. You'll find a spare part list at the back of this guide. The packaging includes a silicate bag for absorbing moisture during storage and transportation. Please dispose of the bag once you have unpacked the equipment. The directions left, right, front and back are defined as seen from the exercising position. Allow at least 100 cm of clearance around the equipment.

### REAR SUPPORT

Push the stand feet to the rear support ends and attach the rear support to the main frame with two bolts, washers and locking sleeves.



### FRONT SUPPORT

Attach the front support with transportation wheels to the main frame with two bolts, washers and locking sleeves.



### FOOTRESTS

Attach the footrests to the position of your choice on the pedal shafts with two screws, two washers / screw and locking nuts.



### FRONT FRAME TUBE

Remove the rubber band from around meter cable coming from the frame tube.

Attach the meter cable to the connector coming from the front frame tube. Push the front frame tube inside the frame tube: do not damage the meter cable! Attach the front frame tube tight to the frame with the washers and attachment screws.



## ARMS

Push the metal shaft through the bracket housing of the left arm. Attach now the left arm to the front frame tube by pushing the metal shaft through the opening in the tube. Push the right arm on the shaft and lock it by tightening a large washer, a locking sleeve and a screw to the both ends of the shaft. Tighten the arms using two Allen keys.

Push the left footrest support forward so that you can push the tube in the front of the foot rest support inside the arm tube. Lock the tube with the locking screw. Repeat the procedure with the right footrest support.



## HANDLEBAR

Attach the handle bar into the front frame tube with four washers and two bolts. Thread the hand pulse cords through the opening in the front frame tube towards the console. Pull the screws tightly so that the handlebar does not move during the training. Be careful not to damage the cords!



## CONSOLE

Attach the hand pulse cords to the console outlets. Attach the main cord to the connector behind the console. Attach the console onto the end of the front tube and fasten with four fastening screws.



## TRANSFORMER

Before connecting the equipment to a power source, make sure that local voltage matches that indicated on the type plate: the equipment operates at either 230 V or 115 V (North American version). NOTE! The equipment must be connected to a grounded wall socket. Do not use extension wires when connecting the equipment to the power source. Make sure the power cord does not run underneath the equipment.

Insert the small connector into the receptacle on the unit housing. Then connect the transformer to the power outlet. The unit is now ready to use.

Do not use your home exercise unit if there is any sort of damage to the power cord or to the unit.

Keep the power cord away from hot objects.

Do not use your exercise unit out of doors or in damp locations.

Do not route the power cord beneath a carpet and do not place any objects on the cord.

Disconnect the plug from the power outlet before you move the unit, perform any needed maintenance or open the housing.

Do not alter (for example, lengthen) the cord between the transformer and the unit.

## EXERCISING

If the product is not stable, adjust the stabilizing screws under the rear support appropriately.

If you feel sideway play in the pedal cranks, tighten the front end shaft nuts until the play disappears.

## ADJUSTING THE RESISTANCE

Exercise intensity can be increased or decreased with "+/-" keys: "+" increases the resistance and "-" decreases the resistance.

## EXERCISE LEVEL

Working out using an exercise cycle is excellent aerobic exercise, the principle being that the exercise should be suitably light, but of long duration. Aerobic exercise is based on improving the body's maximum oxygen uptake, which in turn improves endurance and fitness. The ability of the body to burn fat as a fuel is directly dependent on its oxygen uptake capacity. Aerobic exercise should above all be pleasant. You should perspire, but you should not get out of breath during the workout. You must, for example, be able to speak and not just pant while exercising. You should exercise at least three times a week, 30 minutes at a time, to reach a basic fitness level. Maintaining this level requires a few exercise sessions each week. Once the basic condition has been reached, it is easily improved, simply by increasing the number of exercise sessions. Exercise is always rewarding for weight loss, because it is the only way of increasing the energy spent by the body. This is why it is always worthwhile to combine regular exercise with a healthy diet. A dieter should exercise daily - at first 30 minutes or less at a time, gradually increasing the daily workout time to one hour.

You should start slowly at a low speed and low resistance, because for an overweight person strenuous exercise may subject the heart and circulatory system to excessive strain. As fitness improves, resistance and speed can be increased gradually. Exercise efficiency can be measured by monitoring the pulse. The pulse meter helps you monitor your pulse easily during exercise, and thus to ensure that the exercise is sufficiently effective but not over-strenuous.

## HEART RATE

No matter what your goal, you'll get the best results by training at the right level of effort, and the best measure is your own heart rate.

## MEASURING PULSE WITH HAND SENSORS

Pulse is measured with sensors which are located in the hand supports and which measure the pulse each time the user touches both sensors simultaneously. For reliable pulse measurement, the skin must be in continuous contact with the sensors and the skin in contact with the sensors should be slightly moist. Too dry or too moist skin will impair hand pulse measurement. Please note also that active use of the upper body muscles during exercise may interfere with hand pulse measurement: active muscles transmit similar electronic signals as the heart muscle. Therefore, we recommend that arms be kept relaxed during pulse measurement.

First find your maximum heart rate i.e. where the rate doesn't increase with added effort. If you don't know your maximum heart rate, please use the following formula as a guide:

$$220 - \text{AGE}$$

This is an average value and the maximum varies from person to person. The maximum heart-rate diminishes on average by one point per year. If you belong to a risk group, ask a doctor to measure your maximum heart rate for you.

We have defined three different heart-rate zones to help you with targeted training.

**BEGINNER** • 50-60 % of maximum heart-rate.

Also suitable for weight-watchers, convalescents and those who haven't exercised for a long time. Three sessions a week of at least a half-hour each is recommended. Regular exercise considerably improves beginners' respiratory and circulatory performance and you will quickly feel your improvement.

**TRAINER** • 60-70 % of maximum heart-rate.

Perfect for improving and maintaining fitness. Even reasonable effort develops the heart and lungs effectively, training for a minimum of 30 minutes at least three times a week. To improve your condition still further, increase either frequency or effort, but not both at the same time!

**ACTIVE TRAINER** • 70-80 % of maximum heart-rate.

Exercise at this level suits only the fittest and presupposes long-endurance workouts.

## CONSOLE



The console switches on when the product is connected to the power source. Always unplug this appliance from the electrical outlet immediately after using. If you do not press a key, or pedal for more than 4 minutes, the console automatically switches off.

You can select training program when the console is in the Stop function (the symbol P on the display). Press then RESET and select the program with the + / - keys.

The displays are automatically activated when you start your training session. To move from one display to another, use the MODE key. The meter reacts to all impulses after a couple of seconds (the heart rate measurements will start after a delay of approximately 10 seconds).

**IMPORTANT!** When heart rate control is used, the resistance will be adjusted upwards in 30 second cycles and downwards in 15 second cycles.

**IMPORTANT!** The meter will only prompt for your age after turning the power off. Otherwise the entered age will remain on the meter's memory.

### KEYS

#### START / STOP

Start, pause and stop the training session. If you press this key during your training session, the training session will be paused. Press this button again to continue the training session.

#### MODE

Move from one target value to another.

#### RESET

To reset the selected display, press the key briefly. To reset all the displays of the meter, press and hold the key.

#### + / -

Select programs. Set target values. Press and hold the key to accelerate the speed at which the values change.

### FUNCTIONS

#### 1. RPM / SPEED

The rotations of the crank arm are shown on the display. The display changes between the rotations per minute (rpm) and the speed (km/h).

#### 2. TIME

The training time counts upward, starting at 00:00, and runs to 99:99 minutes. Then the time begins again at 00:00. The colon (:) blinks once per second.

#### 3. DISTANCE

The distance is displayed in kilometers (km) and, if not preset, counts upward from 0.00 to 99.99 in increments of 0.01 kilometers.

#### 4. WATTS / CALORIES

The display will alternate between the values. Effort in watts. In this unit, energy consumption is calculated based on average values. However, as each person has different capabilities for producing energy (known as efficiency), the energy consumption displayed can, by necessity, only be an approximation of the actual consumption and cannot be used for therapeutic purposes. The energy consumption during a training session is displayed in kcal (kilocalories). To convert this into joules, use this formula: 1 kcal = 4.187 kJ.

#### 5. PULSE

Values are set just like before for time and distance. Before the console can display the pulse rate or the pulse ranges, it needs at least 10 seconds for calculation purposes.

### FUNCTIONS

#### 1. MANUAL

Exercise using your selected resistance level (1-16). You can modify the resistance level during your training session.

#### 2. PROGRAM

Select from 12 pre-programmed training programs. After selecting a program, you can see the program's profile.

### 3. USER

You can modify this program to suit your needs.

### 4. TARGET HR

This program allows you to exercise using your selected heart rate level. The equipment will automatically change the resistance to correspond to your selected heart rate level.

#### USING THE METER

Start the meter by connecting the equipment to a power source. Always remove the equipment from the power source after use.

Whenever a P symbol is shown on the display, pressing the RESET key activates a state where you can select a training program using the +/- keys.

Select the units to be displayed using the switch located at the back of the meter housing. You can select metric (km, km/h, Celsius) or imperial units (ml, mph, Fahrenheit).

**IMPORTANT!** During the MANUAL program, you can set your target effort. This will change the Manual program to a Watt program. The resistance level will be automatically adjusted by the equipment so that the effort level will remain on the selected level, regardless of the number of pedal rotations. An up arrow next to the watt reading means that your effort level is higher than the target effort level. A down arrow means that your resistance level is lower than the target effort level. If you set a target effort level, you cannot adjust the resistance by using the +/- keys during the training session.

#### MANUAL PROGRAM

1. Select MANUAL by using the +/- keys
2. Confirm your selection by pressing the MODE key.
3. A) You can start exercising without target values.
3. B) Set your target values.
4. Press the START/STOP key and start your training session. Adjust the resistance by using the +/- keys.
5. Stop your training session by pressing the START/STOP key.

#### PROGRAM

(PREPROGRAMMED TRAINING PROFILES)

3. A) You can start exercising without target values. In that case, each pillar on the program profile will last for 16 pedal rotations.
3. B) Set your target values. If you set a time, the

duration of each of the 16 pillars on the profile will be divided according to the selected time.

**IMPORTANT!** You can adjust the training level by using the +/- keys.

#### USER

3. The first pillar on the profile flashes. Set an appropriate level for it by using the +/- keys.
4. Confirm your selection by using the MODE key. You will be taken to the next pillar. Set an appropriate resistance level for it as above. Repeat this for each pillar on the profile.
5. A) You can carry out a training session without target values. In that case, each pillar on the profile will last for 16 pedal rotations. You can adjust each pillar level by using the +/- keys.
5. B) Set your target values. Press the MODE key for 2 seconds to enter target values. The duration of each of the 16 pillars on the profile will be divided according to the selected time.
6. Press the START/STOP key and start your training session. You can adjust each pillar level by using the +/- keys.

**IMPORTANT!** If you set a target value or target values, the training session will end after the first target value is reached. You can continue your training session by pressing START/STOP.

#### TARGET HR

3. AGE flashes on the display. Set your age by using the +/- keys.
4. Confirm the setting by pressing the MODE key.
5. Select your target heart rate range by using the +/- keys. You can select a heart rate range of 55%, 75% or 90% of your maximum heart rate, or THR that allows setting your heart rate level by using the +/- keys. On the Pulse display, you can see which heart rates correspond to your selected heart rate range.
6. Confirm your selection by pressing the MODE key.
7. A) You can start exercising without target values.
7. B) Set your target values.

#### TRANSPORT AND STORAGE

Please follow these instructions when carrying and moving the equipment about, because lifting it incorrectly may strain your back or risk other accidents:

The device is easy to move by pushing along on the integrated transport wheels. Tilt the device from the front and push along the floor on the wheels at the front support. We recommend that you use a protective base when transporting the equipment. To prevent the equipment malfunctioning, store in a dry place with as little temperature variation as possible and protected from dust.

## MAINTENANCE

The equipment requires very little maintenance. Check, however, from time-to-time that all screws and nuts are tight.

- After exercising, clean the equipment with a soft, absorbent cloth. Do not use solvents.
- Never remove the equipment's protective casing.

## MALFUNCTIONS

NOTE! Despite continuous quality control, defects and malfunctions caused by individual components may occur in the equipment. In most cases it's unnecessary to take the whole device in for repair, as it's usually sufficient to replace the defective part. Always give the model, serial number of your equipment and in case of malfunctions also conditions of use, nature of malfunction and any error code.

When you encounter unusual behavior from the device, contact your local Tunturi dealer for service. If you require spare parts, always give the model, serial number of your equipment and the spare part number for the part you need. The spare part list is at the back of this manual. Use only spare parts mentioned in the spare part list.

## TECHNICAL SPECIFICATIONS

Length ..... 154 cm  
 Width ..... 64 cm  
 Height ..... 153 cm  
 Weight ..... 58 kg

The C20 meets the requirements of the EU's EMC Directives on electromagnetic compatibility (89/336/EEC). This product therefore carries the CE label.

The C20 meets EN precision and safety standards (EN-957).

Due to our continuous policy of product development, Tunturi reserves the right to change specifications without notice.

NOTE! The instructions must be followed carefully in the assembly, use and maintenance

of your equipment. The warranty does not cover damage due to negligence of the assembly, adjustment and maintenance instructions described herein. Changes or modifications not expressly approved by Tunturi Oy Ltd will void the user's authority to operate the equipment!

**We wish you many enjoyable trainings!**



## INHALT

MONTAGE.....	10
TRAINIEREN MIT TUNTURI.....	12
COCKPIT.....	13
TRANSPORT UND LAGERUNG .....	15
WARTUNG.....	15
BETRIEBSSTÖRUNGEN.....	15
TECHNISCHE DATEN .....	15

## WICHTIGE SICHERHEITSHINWEISE

Dieses Handbuch ist ein wesentlicher Bestandteil Ihrer Trainingsausrüstung. Lesen Sie dieses Handbuch bitte sorgfältig durch, bevor Sie Ihr Trainingsgerät montieren, mit ihm trainieren oder es warten. Bitte bewahren Sie dieses Handbuch; es wird Sie jetzt und zukünftig darüber informieren, wie Sie Ihr Gerät benutzen und warten. Befolgen Sie diese Anweisungen immer sorgfältig. Für Schäden, die durch Missachtung der beschriebenen Einstellungs- und Wartungsanweisungen entstehen, besteht kein Garantie-Anspruch!

- Vor Beginn eines Trainingsprogrammes einen Arzt konsultieren.
- Bei Übelkeit, Schwindelgefühl oder anderen anomalen Symptomen sollte das Training sofort abgebrochen und unverzüglich ein Arzt aufgesucht werden.
- Dieses Gerät hat ein geschwindigkeitsabhängiges Bremssystem, d.h. je schneller Sie schreiten, desto höher ist die Belastung.
- Aufgrund des natürlichen Spieltriebes und der Experimentierfreudigkeit der Kinder können Situationen und Verhaltensweisen entstehen, für die das Trainingsgerät weder gebaut noch abgesichert ist und die eine Verantwortung seitens des Herstellers ausschließen. Wenn Sie dennoch Kinder an das Trainingsgerät lassen, müssen Sie deshalb deren geistige und körperliche Entwicklung und vor allem deren Temperament berücksichtigen, sie gegebenenfalls beaufsichtigen und sie

vor allem auf die richtige Benutzung des Gerätes hinweisen.

- Das Gerät sollte grundsätzlich nur von einer Person benutzt werden.
- Der Anwendungsbereich dieses Trainingsgerätes ist der Heimbereich.
- Das Gerät darf nur in Innenräumen benutzt werden.
- Das Gerät auf möglichst ebenen Untergrund stellen.
- Stützen Sie sich nie gegen das Cockpit ab!
- Bedienen Sie die Tasten mit der Fingerkuppe. Ein Fingernagel kann die Membrane der Tasten beschädigen.
- Das Gerät nie ohne die seitlichen Abdeckungen benutzen.
- Dieses Gerät ist nicht für den Einsatz in Feuchträumen (Sauna, Schwimmbad) vorgesehen.
- Beim Training muss die Umgebungstemperatur zwischen +10°C und +35°C liegen. Zur Aufbewahrung kann das Gerät bei Temperaturen zwischen -15°C und +40°C gelagert werden. Die Luftfeuchtigkeit darf nie 90 % überschreiten.
- Vor Beginn des Trainings sicherstellen, dass das Gerät völlig intakt ist. Auf keinen Fall mit einem fehlerhaften Gerät trainieren.
- Zum Auf- und Absteigen am Lenker abstützen. Nicht auf das Gehäuse treten.
- Zur Benutzung des Gerätes stets angemessene Kleidung und Schuhwerk tragen.
- Nie die Hände in die Nähe von beweglichen Teilen bringen.
- Zur Vermeidung von Muskelkater Auf- und Abwärmtraining nicht vergessen.
- Keine anderen als die in dieser Betriebsanleitung beschriebenen Wartungsmaßnahmen und Einstellungen vornehmen. Die angegebenen Wartungsanweisungen sind einzuhalten.

- Das Gerät darf nicht von Personen benutzt werden, deren Gewicht über 135 kg liegt.
- Ihr neuer Heimtrainer von Tunturi wurde für das Heimtraining entwickelt. Die Garantie dieses Gerätes beträgt 24 Monate für das Heimtraining. Nähere Informationen zur Garantie auf Ihr Fitnessgerät finden Sie im dem Gerät beiliegenden Garantieheft. Sowohl Tunturi, als auch seine nationalen Vertretungen übernehmen keine Haftung für Verletzungen oder Geräteschäden, die sich bei Dauereinsatz in gewerblichen Fitnesscentern, Sportvereinen und vergleichbaren Einrichtungen ergeben.

#### HERZLICH WILLKOMMEN IN DER WELT DES TRAINIERENS MIT TUNTURI!

Durch Ihren Kauf haben Sie bewiesen, dass Ihnen Ihre Gesundheit und Ihre Kondition viel wert sind; auch haben Sie gezeigt, dass Sie Qualität zu schätzen wissen. Mit einem Tunturi-Fitnessgerät haben Sie sich für ein hochwertiges, sicheres und motivierendes Produkt als Trainingspartner entschieden. Welches Ziel Sie auch immer mit Ihrem Training verfolgen, wir sind sicher, dass Sie es mit diesem Fitnessgerät erreichen. Hinweise zu Ihrem Trainingsgerät und zum effektiven Training damit finden Sie auf der Internetseite von Tunturi [WWW.TUNTURI.COM](http://WWW.TUNTURI.COM).

#### MONTAGE

Montieren Sie das Gerät mit einer weiteren Person. Prüfen Sie, dass folgende Teile enthalten sind:

1. Rahmen
2. Vorderes Stützbein
3. Hinteres Stützbein
4. Vorderes Rahmenrohr
5. Handgriffe (2 Stück)
6. Fussbretter (2 Stück)
7. Messgerät
8. Armstütze
9. Stange
10. Netzanschluss
11. Beutel mit Montagezubehör (Inhalt mit \* im Ersatzteilverzeichnis gekennzeichnet): Bewahren Sie die Montageteile sorgfältig auf, denn Sie können sie später u.a. zur Justierung benötigen

Sollte Ihr Gerät unvollständig sein, wenden Sie sich bitte unter Angabe des Modells, der Seriennummer und Nummer des fehlenden Teiles an Ihren Tunturi-Händler. Die Ersatzteilnummer geht aus der Liste am Ende dieser Betriebsanleitung hervor.

Der beiliegende Beutel mit Granulat dient als Klimaschutz während des Transportes und soll nach Montage beseitigt werden. Die Beschreibung der Lage von Teilen (rechts, links, vorne, hinten) geht von der Blickrichtung beim Training aus. Bitte beachten Sie beim Aufstellen des Gerätes, dass in jede Richtung wenigstens 100 cm Freiraum vorhanden ist.

#### HINTERES STÜTZBEIN

Drücken Sie die Kunststoffschutzkappen auf die Enden der hinteren Stützbeine und befestigen Sie das hintere Stützbein mit zwei Schrauben, Unterlegscheiben und Arretierungsscheiben am Rahmen.



#### VORDERES STÜTZBEIN

Befestigen Sie das mit einem Transportrad versehene vordere Stützbein mit zwei Schrauben, Unterlegscheiben und Arretierungsscheiben am Rahmen.



#### FUSSBRETTER

Befestigen Sie die Pedalbretter an der gewünschten mit zwei Schrauben und zwei Unterlegscheiben pro Schraube und Muttern an dem Pedalschaft.



## VORDERES RAHMENROHR

Entfernen Sie die Gummibandhalterung der aus dem Rahmenrohr kommenden Messleitung.

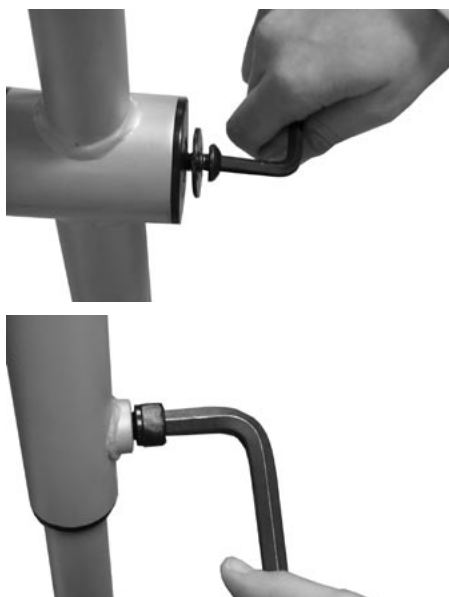
Schliessen Sie die aus dem Rahmenrohr kommende Messleitung an der Klemme am vorderen Rahmenrohr an. Schieben Sie das vordere Rohr in das Rahmenrohr: Achten Sie darauf, dass die Messleitung nicht beschädigt wird! Befestigen Sie das vordere Rahmenrohr mit fünf Unterlegscheiben und Befestigungsschrauben.



## HANDGRIFFE

Schieben Sie die Metallstange durch die Achsbuchse des linken Handgriffs, positionieren Sie den Griff neben der Befestigungsbohrung des vorderen Rohres und schieben Sie die Stange auch durch die Achsbohrung. Schieben Sie anschliessend den rechten Griff auf das Ende der Metallstange und arretieren Sie die Stange, indem Sie an Enden der Achsbuchse des rechten Griffs eine grosse Unterlegscheibe, eine Arretierungsscheibe und eine Befestigungsschraube anbringen. Ziehen Sie die Griffe mit zwei Inbusschrauben fest.

Schieben Sie den linken Pedalschaft so nach vorn, dass Sie das vorn am Pedalschaft befindliche Befestigungsrohr in den Griff hineinschieben können und befestigen Sie den Griff mit einer Schraube am Fussbrett. Wiederholen Sie diese Schritte am rechtseitigen Griff.



## ARMSTÜTZE

Die Handstütze an das vordere Rahmenrohr mit vier Unterlegscheiben und zwei Schrauben befestigen. Die Handpulssekabel durch die Öffnung in der Mitte des vorderen Rahmenrohres zum Cockpit schieben. Die Schrauben so fest einschrauben, dass die Handstütze sich nicht während des Trainings bewegt. Achten Sie darauf, die Kabel nicht zu beschädigen!



## COCKPIT

Den Kabel aus den Vorderrohr und die Handpulssekabel an den Anschlüsse des Cockpits anschliessen. Das Cockpit ans Ende des Vorderrohres mit vier Befestigungsschrauben befestigen.



## TRANSFORMATOR

Stecken Sie zuerst den kleinen Stecker in die Aufnahme am Gerätegehäuse. Dann den Trafo an einer 230 Volt Steckdose anschließen. Jetzt ist das Gerät zum Training bereit

## Sicherheitshinweise für Geräte mit elektrischem Anschluss

Benutzen Sie Ihr Heimtrainingsgerät nicht, wenn es irgendwelche Beschädigungen am Kabel oder am Gerät gibt.

Das Stromkabel von heißen Gegenständen fernhalten.

Benutzen Sie Ihr Trainingsgerät nicht im Freien oder in Feuchträumen.

Führen Sie das Stromkabel nicht unter einem Teppich hindurch und stellen Sie keine

Gegenstände auf das Kabel.

Ziehen Sie den Stecker aus der Steckdose, bevor Sie das Gerät transportieren, eventuell eine Wartung durchführen oder das Gehäuse öffnen.

Das Kabel zwischen Trafo und Gerät darf nicht verändert (z.B. verlängert) werden.

## TRAINIEREN MIT TUNTURI

Sollte das Gerät nicht stabil sein, die Einstellschrauben unter dem hinteren Fussrohr entsprechend einstellen.

Wenn die Pedalrohre Spiel haben, ziehen Sie die Achsenmuttern am vorderen Ende der Pedalarms fest bis das Spiel verschwindet

## TRAININGSWIDERSTAND

Intensität durch Drücken der "+"-Taste erhöhen oder sie durch Drücken der "-"-Taste verringern.

## DAS TRAININGSNIVEAU

Treten ist eine ausgezeichnete aerobe Trainingsform, d. h. das Training ist zwar leicht, erfordert aber eine lange Trainingsdauer. Das aerobe Training basiert auf einer Verbesserung der max. Sauerstoffaufnahme fähigkeit, was zu einer Verbesserung der Kondition und Ausdauer führt. Treten ist auch eine angenehme Trainingsform. Man soll war schwitzen, aber nicht ausser Atem kommen. So sollte man während des Trainings normal sprechen können. Das Training sollte aus mindestens drei 30-minütigen Einheiten pro Woche bestehen. So wird eine Grundkondition erreicht. Die Aufrechterhaltung der Kondition setzt zirka zwei Trainingssätze pro Woche voraus. Ist die Grundkondition erreicht, kann diese leicht durch Erhöhen der Trainingsfrequenz verbessert werden.

Körperliche Betätigung ist ein wichtiges Hilfsmittel zur Reduzierung des Körpergewichtes, denn Training ist das einzige Mittel, den Energieverbrauch des Körpers zu erhöhen. Dabei ist es neben einer kalorienarmen Diät wichtig, regelmässig zu trainieren. Die tägliche Trainingszeit sollte am Anfang 30 Minuten entweder auf einmal oder in kleineren Intervallen betragen und sollte langsam auf 60 Minuten erhöht werden. Lassen Sie das Training mit geringem Tretwiderstand beginnen. Eine grosse Anstrengung bei einem

hohen Körpergewicht kann zu einer gefährlichen Belastung des Herzens und des Kreislaufs führen. Die Trainingseffizienz kann mit Hilfe der Pulsfrequenz geschätzt und die Tretgeschwindigkeit der Kondition entsprechend langsam erhöht werden. Mit der Anzeige Ihres Gerätes können Sie ihre Pulsfrequenz während des Trainings beobachten und sicherstellen, dass das Training effektiv genug aber nicht zu anstrengend ist.

## HERZFREQUENZ

Egal, welches Ziel Sie erreichen wollen, die besten Resultate erzielen Sie mit einem Training auf dem richtigen Leistungsniveau, und das beste Mass ist dabei Ihre eigene Herzfrequenz.

## PULSMESSUNG MIT HANDSENSOREN

Dieses Gerät misst den Puls mit Sensoren, die in den Handstutzen sitzen und jedes Mal dann den Puls messen, wenn der Benutzer beide Sensoren gleichzeitig berührt. Für eine verlässliche Pulsmessung sollte die Haut ständigen Kontakt mit den Sensoren haben und an den Kontaktstellen leicht feucht sein. Eine zu trockene oder zu feuchte Haut beeinträchtigt die Handpulsmessung. Beachten Sie bitte, dass auch ein aktiver Einsatz der oberen Körpermuskeln während des Trainings die Pulsmessung über die Hand beeinträchtigen kann: Aktive Muskeln übertragen ähnliche, elektronische Signale wie der Herzmuskel. Daher wird empfohlen, die Arme während der Pulsmessung entspannt zu halten.

Ermitteln Sie zuerst Ihre maximale Herzfrequenz. Wenn Sie diese nicht kennen, orientieren Sie sich bitte an der nachfolgenden Formel:

### 220 - ALTER

Das Maximum unterscheidet sich von Mensch zu Mensch. Die maximale Herzfrequenz verringert sich pro Jahr durchschnittlich um einen Punkt. Wenn Sie zu einer Risikogruppe zählen, bitten Sie den Arzt, Ihre maximale Herzfrequenz festzustellen. Wir haben drei Herzfrequenzbereiche definiert, die Sie bei Ihrem zielgerichteten Training unterstützen.

**ANFÄNGER** • 50-60 % der maximalen Herzfrequenz.

Sie ist ausserdem für Übergewichtige und Rekonvaleszenten geeignet sowie für diejenigen, die seit langem nicht mehr trainiert haben. Drei Trainingseinheiten pro Woche von jeweils einer halben Stunde Dauer sind angemessen. Regelmässiges Training verbessert die Leistungsfähigkeit der Atmungs- und Kreislauforgane ganz entscheidend.

**FORTGESCHRITTENE** • 60-70 % der maximalen Herzfrequenz.

Perfekt geeignet zur Verbesserung und Erhaltung der Fitness. Damit stärken Sie Ihr Herz und Ihre Lungen mehr, als auf dem Anfängerniveau. Wir empfehlen mindestens 3 Trainingseinheiten pro Woche mit jeweils mindestens 30 Minuten. Wenn Sie Ihr Fitnessniveau noch weiter erhöhen möchten, trainieren Sie häufiger oder intensiver, aber nicht beides zugleich.

**AKTIVE SPORTLER** • 70-80 % der maximalen Herzfrequenz.

Das Training auf diesem Niveau ist nur für durchtrainierte Sportler geeignet und setzt ein Langzeit-Ausdauertraining voraus.

## COCKPIT



Das Cockpit schaltet sich automatisch ein, wenn das Gerät an die Stromversorgung angeschlossen ist. Wird das Gerät etwa 4 Minuten lang nicht betrieben, schaltet sich das Cockpit automatisch aus. Nach Beendigung Ihres Trainings trennen Sie das Gerät bitte immer vom Netz.

Sie können Programme nur im Stop-Modus wählen (kein Training, das P-Symbol ist dann im Display sichtbar). Drücken Sie dann RESET und wählen Sie das Program mit den + / - Tasten.

Die Anzeigen werden bei Beginn der Trainingseinheit automatisch aktiviert. Verwenden Sie zum Wechseln zwischen den Anzeigen die Taste MODE. Die Anzeige reagiert nach wenigen Sekunden auf alle Impulse (die Messung der

Herzfrequenz setzt nach einer Verzögerung von ca. zehn Sekunden ein).

**WICHTIG!** Wenn die Herzfrequenzsteuerung verwendet wird, wird der Widerstand nach oben in 30-Sekunden-Zyklen und nach unten in 15-Sekunden-Zyklen angepasst.

**WICHTIG!** Sie werden nur zur Eingabe Ihres Alters aufgefordert, wenn das Gerät ausgeschaltet wurde. Andernfalls bleibt das eingegebene Alter gespeichert.

## TASTEN

### START/STOP

Starten und beenden Sie die Trainingseinheit, oder halten Sie diese vorübergehend an. Durch Drücken dieser Taste während der Trainingseinheit wird die Trainingseinheit vorübergehend angehalten. Drücken Sie zum Fortsetzen der Trainingseinheit die Taste erneut.

### MODE (Modus)

Sie können zwischen den Zielwerten wechseln.

### RESET (Zurücksetzen)

Durch kurzes Drücken der Taste können Sie die ausgewählte Anzeige zurücksetzen. Durch Gedrückthalten der Taste werden alle Anzeigen zurückgesetzt.

+ / -

Wählen Sie PROGRAMS aus. Geben Sie Zielwerte ein. Durch Gedrückthalten der Taste erhöht sich die Änderungsgeschwindigkeit der Werte.

## ANZEIGEN

### 1. RPM / SPEED (Geschwindigkeit)

Während des Trainings wird im Wechsel die Umdrehungen pro Minute oder die Geschwindigkeit in km/h angezeigt.

### 2. TIME (Zeitmessung)

Es wird die Zeit angezeigt, die seit Trainingsbeginn abgelaufen ist oder die noch verbleibende Trainingszeit. Der Doppelpunkt (:) blinkt einmal pro Sekunde, wenn die Zeit während des Trainings gemessen wird. Bei 00:00 ertönt ein Signalton.

### 3. DISTANCE (Strecke)

Die während des Trainings zurückgelegte oder noch verbleibende Strecke wird angezeigt. Werte werden in 10 Meter-Schritten gemessen.

### 4. WATTS / CALORIES (Watt/Kalorien)

Die Anzeige wechselt zwischen den Werten. Leistung in Watt. Der Energieverbrauch während des Trainings wird in kcal angezeigt. Für die Umrechnung in Joulse benutzen Sie bitte die Formel: 1 kcal = 4.187 kJ. Bei diesem

Gerät wird der Energieverbrauch aufgrund von durchschnittlichen Werten berechnet. Da jedoch jeder unterschiedliche Fähigkeiten hat, Energie zu produzieren (sog. Wirkungsgrad), kann der angezeigte Energieverbrauch zwangsläufig nur eine Annäherung an den tatsächlichen Verbrauch sein und kann nicht für therapeutische Zwecke verwendet werden.

5. PULSE (Herzfrequenz während des Trainings) Herz-Symbol blinkt im Takt mit der gemessenen Herzfrequenz.

## FUNKTIONEN

### 1. MANUAL (Manuell)

Trainieren Sie mit Ihrem ausgewählten Widerstandsniveau (1-16). Sie können das Widerstandsniveau während der Trainingseinheit ändern.

### 2. PROGRAM (Programm)

Wählen Sie zwischen zwölf vorprogrammierten Trainingsprogrammen. Nach dem Auswählen eines Programms wird das Programmprofil angezeigt.

### 3. USER (Benutzer)

Sie können dieses Programm an Ihre Anforderungen anpassen.

### 4. TARGET HR (Herzfrequenz-Konstante)

Mit diesem Programm können Sie in der ausgewählten Herzfrequenzstufe trainieren. Das Gerät passt den Widerstand automatisch an Ihre ausgewählte Herzfrequenzrate an.

## VERWENDEN DER ANZEIGE

Schalten Sie die Anzeige ein, indem Sie das Gerät an eine Stromquelle anschließen. Trennen Sie das Gerät nach Verwenden immer von der Stromquelle.

Wenn in der Anzeige das Symbol P angezeigt wird, können Sie durch Drücken der Taste RESET einen Status aktivieren, in dem Sie über die Tasten +/- ein Trainingsprogramm auswählen können.

Die gewünschten Einheiten können mit dem Schalter auf der Rückseite der Anzeige gewählt werden. Sie können metrische (km, km/h, Celsius) oder britische Einheiten (ml, mph, Fahrenheit) auswählen.

**WICHTIG!** Sie können im Programm MANUAL Ihre Zielleistung einstellen. Dadurch wechseln Sie vom Programm MANUAL zu einem Watt-Programm. Das Gerät passt das Widerstandsniveau automatisch an, sodass die ausgewählte Leistungsstufe ungeachtet der Anzahl der Pedalumdrehungen bestehen bleibt. Ein nach oben weisender Pfeil neben der Watt-Anzeige

bedeutet, dass Ihre Leistungsstufe höher ist als Ihre Zielleistungsstufe. Ein nach unten weisender Pfeil bedeutet, dass Ihr Widerstandsniveau niedriger ist als Ihre Zielleistungsstufe. Wenn Sie eine Zielleistungsstufe festlegen, können Sie den Widerstand während einer Trainingseinheit nicht über die Tasten +/- einstellen.

## MANUAL PROGRAM (Manuelles Programm)

1. Wählen Sie über die Tasten +/- MANUAL aus.

2. Bestätigen Sie Ihre Auswahl durch Drücken der Taste MODE.

3. A) Sie können ohne Zielwerte trainieren.

3. B) Sie können Ihre Zielwerte eingeben.

4. Drücken Sie die Taste START/STOP, und beginnen Sie die Trainingseinheit. Stellen Sie den Widerstand über die Tasten +/- ein.

5. Beenden Sie die Trainingseinheit durch Drücken auf die Taste START/STOP.

## PROGRAM (PREPROGRAMMED TRAINING PROFILES) (Programm (Vorprogrammierte Trainingsprofile))

3. A) Sie können ohne Zielwerte trainieren. In diesem Fall umfasst jede Säule im Programmprofil 16 Pedalumdrehungen.

3. B) Sie können Ihre Zielwerte eingeben. Wenn Sie einen Zeitwert festlegen, wird die Dauer jeder der 16 Säulen im Profil entsprechend durch den ausgewählten Zeitwert dividiert.

**WICHTIG!** Sie können über die Tasten +/- die Trainingsstufe einstellen.

## USER (Benutzer)

3. Die erste Säule im Profil blinkt. Legen Sie über die Tasten +/- die entsprechende Stufe für die Säule fest.

4. Bestätigen Sie Ihre Auswahl durch Drücken der Taste MODE. Sie gelangen zur nächsten Säule. Legen Sie wie oben beschrieben ein entsprechendes Widerstandsniveau fest. Wiederholen Sie diesen Vorgang für jede Säule im Profil.

5. A) Sie können eine Trainingseinheit ohne Zielwerte ausführen. In diesem Fall umfasst jede Säule im Profil 16 Pedalumdrehungen. Sie können über die Tasten +/- die Stufe jeder Säule einstellen.

5. B) Sie können Ihre Zielwerte eingeben. Drücken Sie zum Eingeben der Zielwerte die Taste MODE zwei Sekunden lang. Die Dauer jeder der 16 Säulen im Profil wird entsprechend durch den ausgewählten Zeitwert dividiert.

6. Drücken Sie die Taste START/STOP, und beginnen Sie die Trainingseinheit. Sie können über die Tasten +/- die Stufe jeder Säule einstellen.

WICHTIG! Wenn Sie einen Zielwert oder Zielwerte festlegen, endet die Trainingseinheit, nachdem der erste Zielwert erreicht wurde. Durch Drücken auf START/STOP können Sie die Trainingseinheit fortsetzen.

TARGET HR (Herzfrequenz-Konstante)

3. AGE blinkt in der Anzeige auf. Geben Sie über die Tasten +/- Ihr Alter ein.

4. Bestätigen Sie die Eingabe durch Drücken der Taste MODE.

5. Wählen Sie über die Tasten +/- Ihren Zielherzfrequenzbereich aus. Sie können einen Herzfrequenzbereich von 55 %, 75 % oder 90 % Ihrer maximalen Herzfrequenz auswählen. Alternativ können Sie THR auswählen. Mit dieser Funktion können Sie Ihre Herzfrequenzstufe über die Tasten +/- einstellen. Die Pulsanzeige zeigt an, welche Herzfrequenzen Ihrem ausgewählten Herzfrequenzbereich entsprechen.

6. Bestätigen Sie Ihre Auswahl durch Drücken der Taste MODE.

7. A) Sie können ohne Zielwerte trainieren.

7. B) Sie können Ihre Zielwerte eingeben.

## TRANSPORT UND LAGERUNG

Bitte befolgen Sie diese Hinweise, wenn Sie das Gerät tragen oder bewegen, denn falsches Anheben kann zu Rückenverletzungen oder anderen Unfällen führen:

Dank eingebauter Transportrollen ist der C20 leicht zu bewegen. Dazu um das Gerät herumgehen, an den Handstützen festhalten, leicht ankippen und auf den Transportrollen im vorderen Fussrohr fortbewegen. Ein Verschieben des Gerätes kann manche Fussbodenmaterialien beschädigen, z.B. Holzparkettböden. In diesem Fall müssen Sie den Boden vorher schützen.

Lagern Sie das Gerät an einem trockenen, staubfreien Ort mit möglichst geringen Temperaturschwankungen.

## WARTUNG

Das Gerät braucht nur sehr wenig Wartung. Prüfen Sie dennoch von Zeit zu Zeit, dass alle Schrauben und Muttern fest sitzen.

- Bitte trocknen Sie nach jedem Training alle Teile des Gerätes mit einem weichen, saugfähigen Tuch. Verwenden Sie keine Lösungsmittel.

- Entfernen Sie niemals die Schutzverkleidung des Gerätes.

## BETRIEBSSTÖRUNGEN

BITTE BEACHTEN: Trotz kontinuierlicher Qualitätsüberwachung können vereinzelt an den Geräten durch einzelne Komponenten verursachte Funktionsstörungen auftreten. Dabei ist es nicht angebracht, das ganze Gerät zur Reparatur zu bringen, da der Fehler meistens durch Austauschen der defekten Komponente behoben werden kann.

Wenden Sie sich an Ihre nationale Tunturi-Vertretung, wenn Sie Ersatzteile benötigen oder Funktionsstörungen an Ihrem Gerät feststellen. Beschreiben Sie das Problem und die Einsatzbedingungen und teilen Sie das Kaufdatum und die Seriennummer des Gerätes mit. Die Ersatzteilnummern finden Sie in der Liste am Ende dieser Anweisung. Nur Teile in der Ersatzteilliste dürfen verwendet werden.

## TECHNISCHE DATEN

Länge .....	154 cm
Breite .....	64 cm
Höhe .....	153 cm
Gewicht .....	58 kg

Der C20 wurde nach den Richtlinien der EU für elektromagnetische Einheitlichkeit, EMC (89/336/EWG) und europäische Niederspannungsrichtlinie (72/23/EWG) gestaltet und tragen das CE Konformitäts-Zeichen. Der C20 erfüllt die EN-Präzisions- und Sicherheitsstandards (EN-957).

Aufgrund unserer kontinuierlichen Produktentwicklung behält sich Tunturi das Recht vor, Spezifikationen ohne vorherige Ankündigung zu verändern.

BITTE BEACHTEN: Die Hinweise bezüglich der Montage, der Benutzung und der Wartung Ihres Gerätes müssen sorgfältig beachtet werden. Die Garantie schliesst keine Beschädigungen ein, die auf Fahrlässigkeit bei der Montage, Einstellung und Wartung, wie sie in diesem Handbuch beschrieben wurden, zurückzuführen sind. Werden Modifizierungen ohne das Einverständnis der Tunturi Oy Ltd vorgenommen, erlischt jeglicher Garantieanspruch!

**Wir wünschen Ihnen viele angenehme Trainingsstunden mit Ihrem neuen Tunturi Trainingspartner!**

## TABLE DES MATIERES

ASSEMBLAGE .....	17
S'ENTRAINER AVEC TUNTURI .....	19
COMPTEUR .....	20
TRANSPORT ET RANGEMENT .....	22
MAINTENANCE .....	22
CARACTERISTIQUES TECHNIQUES .....	22

## CONSEILS ET AVERTISSEMENTS

Lisez attentivement ce mode d'emploi avant d'assembler, d'utiliser ou d'effectuer l'entretien de votre appareil sportif. Veuillez conserver ce guide, il contient les renseignements dont vous aurez besoin, maintenant et plus tard, pour utiliser et entretenir votre appareil. Suivez toujours les instructions très rigoureusement. Veuillez noter que la garantie ne couvre pas les dommages causés par un manque de précaution quant aux instructions de montage et d'entretien décrites dans ce mode d'emploi.

## AVERTISSEMENTS LIES A VOTRE SANTE

- Consultez votre médecin avant de commencer vos exercices.
- Si vous êtes pris de nausées ou de vertiges ou sentez d'autres symptômes anormaux pendant l'entraînement, interrompez immédiatement la session et consultez votre médecin.
- Afin d'éviter toutes douleurs musculaires, commencez et terminez vos sessions par des mouvements d'échauffement (pédalage lent avec une résistance faible). N'oubliez pas non plus d'effectuer des mouvements d'étirement pour terminer votre session.

## AVERTISSEMENTS LIES A VOTRE MILIEU D'ENTRAINEMENT

- L'appareil ne doit pas être utilisé à l'extérieur.
- Placez l'appareil sur une surface aussi plane que possible. Placez une protection sous l'appareil.
- Assurez-vous d'une ventilation suffisante, mais évitez toutefois les courants d'air.
- En entraînement, l'appareil supporte des températures de 10°C à 35°C. L'appareil peut aussi être rangé à une température comprise entre -15°C et +40°C. L'hygrométrie du local d'utilisation ou de rangement de l'appareil ne doit jamais excéder 90 %.

## AVERTISSEMENTS LIES A L'UTILISATION DE L'APPAREIL

- Si vous décidez de laisser un enfant utiliser l'appareil, prenez toujours en considération l'état de son développement physique et mental ainsi que son caractère. Donnez à l'enfant les conseils nécessaires pour une bonne utilisation de l'appareil et ne le laissez jamais seul.
- Commencez par vérifier que l'appareil est en parfait état de marche. N'utilisez jamais un appareil défectueux.
- Ne vous accoudez jamais à l'unité des compteurs!
- Appuyez sur les touches du bout des doigts: vos ongles risquent d'abîmer la membrane des touches.
- N'utilisez jamais l'appareil avec les protections latérales démontées.
- Ne montez jamais à deux ou à plusieurs sur l'appareil.
- Prenez toujours appui avec vos mains sur le guidon en montant sur l'appareil ou en descendant.
- Portez des vêtements et chaussures appropriés.



- Protégez l'unité des compteurs d'une exposition au soleil et séchez toujours la surface de l'unité des compteurs si des gouttes de sueur sont tombées dessus.
- N'effectuez jamais d'autres opérations de réglage et d'entretien que celles mentionnées dans ce guide et suivez bien les conseils d'entretien qui y sont donnés.
- L'appareil ne doit pas être utilisé par des personnes pesant plus de 135 kg.
- Cet appareil peut être utilisé à la maison. La garantie de la société Tunturi Ltd ne couvre que les défauts ou imperfections s'étant manifestés pendant l'utilisation à la maison (24 mois). Pour information complémentaire sur la garantie de votre équipement de fitness, veuillez consulter la brochure de garantie livrée avec l'appareil.
- N'essayez pas d'effectuer d'autres entretiens ou réglages que ceux décrits dans ce mode d'emploi. Les autres opérations doivent être laissées aux soins des personnes compétentes dans l'entretien des dispositifs électromagnétiques et autorisées, aux regards des lois du pays concerné (ou équivalent) à accomplir les travaux de maintenance et de réparations.

Les instructions de maintenance de ce mode d'emploi doivent être suivies scrupuleusement.

#### BIENVENUE DANS LE MONDE DE L'ENTRAÎNEMENT TUNTURI

Votre choix prouve que vous souhaitez réellement investir dans votre bien-être et votre condition; il révèle aussi que vous savez apprécier la haute qualité et l'élégance. En choisissant un équipement sportif Tunturi, vous adoptez un produit de premier choix comme partenaire pour un entraînement motivant en toute sécurité. Quel que soit votre objectif, nous sommes persuadés que cet appareil est celui qui vous y conduira. Adressez-vous à [WWW.TUNTURI.COM](http://WWW.TUNTURI.COM) pour plus d'informations.

#### ASSEMBLAGE

Pour l'assemblage, il faut deux personnes. Vérifier que les pièces suivantes sont en votre possession :

1. Châssis
2. Tube d'appui avant
3. Tube d'appui arrière

4. Tube du châssis avant
5. Appuie-bras (2)
6. Repose-pieds (2)
7. Compteur
8. Barre d'appui
9. Barre métallique
10. Cordon d'alimentation
11. Kit d'assemblage (le contenu avec \* dans la liste des pièces détachées) : Conservez les outils de montage, vous pourrez en avoir besoin pour régler l'appareil par exemple

Si vous remarquez qu'il manque une pièce à votre appareil, veuillez prendre contact avec votre vendeur et lui indiquer le modèle, le numéro de fabrication et le numéro de la pièce manquante (voir dernière page de ce manuel). En l'emballage il y a aussi un sachet destiné à absorber l'humidité pendant le transport et le stockage. Les termes gauche, droite, devant et derrière sont utilisés comme si vous étiez en position d'exercice sur l'appareil. Laissez au moins 100 cm d'espace libre devant, derrière et sur les côtés.

#### TUBE D'APPUI ARRIÈRE

Placez les embouts de protection en plastique aux extrémités du tube d'appui arrière et fixez le tube d'appui arrière avec deux vis, rondelles et plaques de verrouillage



#### TUBE D'APPUI AVANT

Fixez le tube d'appui avant équipé des roulettes de transport au châssis avec deux vis, rondelles et plaques de verrouillage.



#### REPOSE-PIEDS

Fixez les repose-pieds à l'endroit souhaité à l'aide deux vis, deux rondelles / vis ainsi que des écrous de blocage.



### TUBE AVANT

Retirez l'attache en caoutchouc du fil du compteur sortant du tube du châssis.

Raccordez le fil du compteur sortant du tube du châssis au raccord situé dans le tube avant. Enfoncez le tube avant à l'intérieur du tube du châssis: attention à ne pas abîmer les fils du compteur! Fixez le tube avant avec des rondelles et des vis de fixation en serrant bien.



### POIGNÉES

Enfoncez la barre métallique à travers le logement de la poignée gauche, placez la poignée à côté du trou de fixation et enfoncez la barre également à travers le trou de l'axe. Appuyez ensuite la poignée droite sur l'extrémité de la barre métallique et verrouillez la barre en fixant une grosse rondelle, une plaque de verrouillage et une vis de fixation aux extrémités du logement de la poignée droite. Serrez la poignée en vous servant de deux clés pour vis six pans.

Poussez le bras de la pédale gauche en avant de manière à pouvoir enfoncez la poignée du tube de fixation située à l'intérieur du bras de pédale. Fixez la poignée au repose-pied à l'aide des vis de réglage. Répétez l'opération pour la poignée droite.



### BARRE D'APPUI

Fixer le tube avant du guidon avec quatre rondelles et deux vis. Enfoncez les fils du pulsomètre à travers le trou situé au milieu du tube central vers le compteur. Bien serrer les vis afin que le guidon ne bouge pas durant l'exercice. Attention à ne pas abîmer les fils.



### COMPTEUR

Raccorder les fils au connecteur du compteur. Pousser le compteur à l'extrémité du tube avant et le fixer avec les vis de fixation.



### TRANSFORMATEUR

Avant de brancher l'appareil à une source d'alimentation, assurez-vous que la tension locale correspond à celle indiquée sur la plaque de type. L'équipement fonctionne soit en 230 V soit en 115 V (modèles américains).

Branchez d'abord la petite fiche dans la prise du boîtier de l'appareil. Raccordez ensuite le transformateur à une prise. L'appareil est maintenant prêt à être utilisé.

### Consignes de sécurité pour l'utilisation d'appareils électriques

N'utilisez pas votre appareil d'exercice si le câble ou l'appareil sont endommagés.

Protégez le câble d'alimentation des sources de chaleur.

Ne faites pas passer le câble d'alimentation sous un tapis et ne mettez pas d'objets sur le câble.

Retirez la fiche de la prise avant de transporter l'appareil, de procéder à une intervention d'entretien ou d'ouvrir le boîtier.

Le câble reliant le transformateur à l'appareil ne doit pas être modifié (par exemple, allongé).

- L'appareil doit être branché sur une prise à la terre. N'utilisez pas de rallonge.
- Assurez-vous que le cordon ne passe pas pardessus l'appareil.

### S'ENTRAÎNER AVEC TUNTURI

Si l'appareil n'est pas stable, réglez correctement les vis de blocage sous la partie arrière.

Si du jeu se forme dans une tige de pédale, serrez les écrous à fond.

### RÉGLAGE DE LA RÉSISTANCE

Vous pouvez augmenter ou diminuer l'intensité de l'exercice à l'aide des touches +/-.

### NIVEAU D'ENTRAÎNEMENT

Le pédalage est une excellente forme d'exercice aérobique qui lie à la fois modération et durée dans les efforts. Un tel exercice vise à améliorer votre capacité maximale d'absorption d'oxygène, donc votre endurance et votre condition physique. La capacité du corps à "brûler" la graisse est directement liée à sa capacité de transporter l'oxygène. L'exercice aérobique est avant tout un exercice agréable qui devra faire apparaître une légère sueur sur votre peau mais ne devra en aucun cas vous essouffler. Pour vous remettre en forme, il vous faut pratiquer des exercices physiques au moins trois fois par semaine pendant 30 minutes à chaque fois et pour vous maintenir en bonne condition, au moins deux fois par semaine. Une fois un bon niveau de condition atteint, il est facile de l'améliorer en augmentant le nombre des séances d'entraînement.

L'exercice physique est le seul moyen d'augmenter la quantité d'énergie consommée par votre organisme. Voilà pourquoi une diète faible en calories doit toujours être accompagnée d'exercices

physiques réguliers. Il est bon de pratiquer des exercices tous les jours, au début pendant 30 minutes (avec ou sans pauses) puis d'augmenter la dose quotidienne progressivement à une heure. Débutez avec une vitesse de pédalage et une résistance faibles. Si vous êtes obèse, un effort excessif pourrait surcharger votre système cardiovasculaire. Au fur et à mesure que votre condition s'améliore, vous pourrez augmenter résistance et vitesse. Pour mesurer l'intensité de l'exercice, vous pourrez utiliser votre fréquence cardiaque. Ceci est possible avec le compteur de pulsations qui vous permettra de suivre facilement votre fréquence cardiaque pendant l'exercice pour vous aider à choisir le niveau d'intensité qui vous convient.

Quel que soit votre objectif, vous obtiendrez les meilleurs résultats en vous entraînant à un niveau d'effort approprié, le meilleur contrôle étant votre pouls.

### MESURE DU POULS À L'AIDE DES CAPTEURS POUR MAINS

Sur cette appareil, le pouls est mesuré au moyen de capteurs placés sur les mains, qui relèvent le rythme cardiaque quand l'utilisateur de l'appareil touche simultanément les deux senseurs. La mesure du pouls présuppose que la peau est en permanence en contact avec les capteurs et qu'elle est suffisamment humide. Une peau trop sèche ou trop mouillée empêche une bonne mesure du pouls. Notre également qu'une utilisation active des muscles du torse pendant l'exercice peut déranger la mesure du pouls: les muscles mobilisés envoient des signaux électriques identiques à ceux émis par le myocarde. C'est pourquoi nous recommandons de ne pas serrer les poignées pendant la mesure.

**ATTENTION !** Si vous effectuez un exercice avec contrôle de la fréquence cardiaque ou si la précision des informations sur votre rythme cardiaque est importante pour vous, nous vous recommandons de réaliser cette mesure avec la ceinture à la différence de la ceinture cardiaque, la précision de la mesure du pouls peut varier considérablement d'une personne à l'autre. Déterminez d'abord votre rythme cardiaque maximum c'est à dire le rythme à partir duquel le pouls n'augmente plus, même si l'effort est accru. Si vous ne connaissez pas votre pouls maximum, utilisez ces formules indicatives :

#### 220 - ÂGE

Notez bien que c'est une valeur moyenne et que les maxima varient d'une personne à l'autre. Le pouls maximum diminue, en moyenne, d'une pulsation par année. Si vous faites partie d'un des groupes «à risque», consultez un médecin pour qu'il mesure votre pouls maximum. Nous avons déterminé trois zones de pouls pour vous aider dans vos entraînements soumis à un objectif.

## DÉBUTANT • 50-60 % du pouls maximum

Ce niveau convient aussi aux personnes désirant perdre du poids ou n'ayant pas pratiqué d'activité physique depuis longtemps ainsi qu'aux convalescents. Il est recommandé de s'entraîner au moins une demi-heure trois fois par semaine. Un exercice régulier améliore, de façon décisive, les performances respiratoires et circulatoires du débutant et les effets d'une meilleure forme sont très vite ressentis.

## ENTRAÎNEMENT • 60-70 % du pouls maximum

Ce niveau est parfait pour l'amélioration et le maintien d'une bonne condition physique. Il permet de renforcer le cœur et les poumons tout en respectant un effort raisonnable. S'entraîner au moins trois fois par semaine pendant une demi-heure minimum. Pour progresser davantage, augmentez soit la fréquence soit la durée des séances mais pas les deux en même temps !

## ENTRAÎNEMENT ACTIF • 70-80 % du pouls maximum

L'exercice à ce niveau ne convient qu'aux personnes en excellente condition physique et suppose un entraînement antérieur de longue date.

## COMPTEUR



L'unité des compteurs s'allume automatiquement lorsque l'appareil est branché. Lorsque l'appareil n'est pas utilisé pendant 4 minutes, l'unité des compteurs s'éteint automatiquement. Déconnectez toujours le cordon d'alimentation de la prise secteur et de l'appareil après chaque séance d'entraînement.

Vous pouvez sélectionner le programme. La sélection n'est possible qu'à l'arrêt : Le symbole P apparaît à l'écran. Poussez sur la touche RESET, et sélectionner le programme avec les touches + / -.

Les écrans d'affichage sont activés automatiquement au début de la séance d'entraînement. Pour passer d'un écran à un autre, utilisez la touche MODE. Le compteur réagit à toutes les impulsions après quelques secondes (la mesure du pouls démarre au bout d'environ 10 secondes).

**IMPORTANT !** En cas d'utilisation de la fonction de contrôle du pouls, la résistance est réglée plus haut dans les cycles de 30 secondes et plus bas dans les cycles de 15 secondes.

**IMPORTANT !** Le compteur ne vous demande votre âge qu'une fois la source d'alimentation coupée. Dans le cas contraire, l'âge indiqué est stocké dans la mémoire du compteur.

## TOUCHES

### START / STOP (DEMARRER / ARRETER)

Cette touche permet de démarrer, d'interrompre ou d'arrêter une séance d'entraînement. Si vous appuyez sur cette touche au cours d'une séance, cette dernière sera momentanément interrompue. Appuyez de nouveau sur cette touche pour poursuivre la séance.

### MODE

Cette touche permet de passer d'une valeur à une autre.

### RESET (REINITIALISER)

Pour réinitialiser l'écran sélectionné, appuyez brièvement sur cette touche. Pour réinitialiser tous les écrans du compteur, maintenez-la enfoncée.

+ / -

Sélectionnez un programme. Définissez les valeurs correspondant à vos objectifs. Pour accélérer la vitesse de défilement des valeurs, maintenez la touche enfoncée.

## AFFICHAGES

### 1. RPM / SPEED (Vitesse)

Pendant l'entraînement, la vitesse de rotation par minute ou la vitesse en km/h est affichée.

### 2. TIME (Mesure du temps)

L'appareil affiche le temps qui s'est écoulé depuis le début de l'entraînement ou le temps d'entraînement restant. Le double point (:) clignote une fois par seconde si la durée de l'entraînement est mesurée. Un signal retenti à "00:00".

### 3. DISTANCE

La distance parcourue pendant l'entraînement ou la distance encore à parcourir est affichée. Les valeurs sont mesurées par incréments de 10 mètres.

#### 4. WATTS / CALORIES

Cet écran affiche alternativement les différentes valeurs. La puissance est exprimée en watts. La dépense énergétique pendant l'entraînement est indiquée en kcal. Voici la formule pour convertir les kcal en joules: 1 Kcal = 4,187 kJ. Cet appareil calcule la dépense énergétique sur base de valeurs moyennes. Dans la mesure où chacun d'entre nous a des aptitudes différentes à produire de l'énergie (ce que l'on appelle le rendement), la dépense énergétique affichée ne peut inévitablement être qu'une valeur approximative de la dépense énergétique réelle.

#### 5. PULSE (Mesure du pouls)

Le rythme cardiaque. Le symbole Coeur clignote en synchronisme avec le rythme cardiaque.

### FONCTIONS

#### 1. MANUAL (MODE MANUEL)

Exercice correspondant au niveau de résistance que vous avez sélectionné (de 1 à 16). Vous pouvez modifier ce niveau au cours de la séance.

#### 2. PROGRAM (PROGRAMME)

Sélectionnez l'un des 12 programmes d'entraînement prédéfinis. Le profil de ce programme apparaît alors à l'écran.

#### 3. USER (UTILISATEUR)

Vous pouvez personnaliser ce programme.

#### 4. TARGET HR (PROGRAMME POULS CONSTANT)

Ce programme vous permet de vous entraîner avec le niveau de pouls sélectionné. L'équipement adapte automatiquement la résistance en conséquence.

### UTILISATION DU COMPTEUR

Pour allumer le compteur, connectez l'équipement à une source d'alimentation. Débranchez toujours l'équipement à la fin de la séance.

Lorsque la lettre P s'affiche à l'écran, vous pouvez appuyer sur la touche RESET pour activer un mode qui vous permet de sélectionner un programme d'entraînement à l'aide des touches +/-.

Pour sélectionner les unités, utilisez l'interrupteur situé à l'arrière du boîtier du compteur. Vous avez le choix entre le système métrique (km, km/h, Celsius) et le système impérial (ml, mph, Fahrenheit).

**IMPORTANT !** En mode MANUAL, vous pouvez définir votre puissance constante. Le mode Manual fait alors place au mode Watt. Le niveau de résistance est réglé automatiquement par l'équipement de façon à ce que le niveau de puissance reste stable quelle que soit la vitesse de pédalage. Si une flèche vers le haut s'affiche en regard de la valeur en watts, cela signifie que le

niveau de puissance actuel est supérieur au niveau de puissance constante que vous avez défini. Une flèche vers le bas indique au contraire que le niveau de résistance est inférieur au niveau de puissance constante que vous avez défini. Si vous définissez un niveau de puissance constante, vous ne pouvez pas régler la résistance à l'aide des touches +/- pendant la séance d'entraînement.

### MODE MANUAL

1. Sélectionnez MANUAL à l'aide des touches +/-.

2. Pour confirmer votre choix, appuyez sur la touche MODE.

3. A) Vous pouvez commencer la séance d'entraînement sans définir de valeurs correspondant à vos objectifs.

3. B) Définissez les valeurs correspondant à vos objectifs.

4. Appuyez sur la touche START/STOP pour démarrer les exercices. Pour régler la résistance, utilisez les touches +/-.

5. Pour interrompre la séance, appuyez sur la touche START/STOP.

### PROGRAMME (PROFILS D'ENTRAINEMENT PREPROGRAMMES)

3. A) Vous pouvez commencer la séance d'entraînement sans définir de valeurs correspondant à vos objectifs. Dans ce cas, vous passerez d'une étape à l'autre du profil du programme tous les 16 tours de pédale.

3. B) Définissez les valeurs correspondant à vos objectifs. Si vous indiquez un temps, la durée de chacune des 16 étapes du profil sera définie en fonction de ce temps.

**IMPORTANT !** Utilisez les touches +/- pour régler le niveau d'entraînement.

### USER (UTILISATEUR)

3. La première étape du profil clignote. Définissez un niveau adapté à l'aide des touches +/-.

4. Pour confirmer votre choix, appuyez sur la touche MODE. Vous passez alors à l'étape suivante. Définissez un niveau de résistance approprié comme indiqué ci-dessus. Répétez cette procédure pour chaque étape du profil.

5. A) Vous pouvez effectuer une séance d'entraînement sans définir de valeurs correspondant à vos objectifs. Dans ce cas, vous passerez d'une étape à l'autre du profil tous les 16 tours de pédale. Pour régler le niveau de chaque étape, utilisez les touches +/-.

5. B) Définissez les valeurs correspondant à vos objectifs. Pour entrer une valeur, maintenez la touche MODE enfoncée pendant 2 secondes. La durée de chacune des 16 étapes du profil sera définie en fonction du temps indiqué.

6. Appuyez sur la touche START/STOP pour démarrer les exercices. Pour régler le niveau de chaque étape, utilisez les touches +/-.

**IMPORTANT !** Si vous définissez une ou plusieurs valeurs, la séance d'entraînement s'interrompra une fois la première valeur atteinte. Pour poursuivre la séance, appuyez sur la touche START/STOP.

TARGET HR (PROGRAMME POULS CONSTANT)

3. AGE clignote sur l'écran. Indiquez votre âge au moyen des touches +/-.

4. Pour confirmer la valeur, appuyez sur la touche MODE.

5. Utilisez les touches +/- pour sélectionner la plage de valeurs correspondant à votre pouls. Vous pouvez sélectionner une plage de valeurs représentant 55 %, 75 % ou 90 % de votre pouls maximum, ou bien THR (Target HR) qui vous permet de définir votre niveau de pouls à l'aide des touches +/- . L'écran Pulse (Pouls) affiche les fréquences cardiaques correspondant à la plage de valeurs que vous avez sélectionnée.

6. Pour confirmer votre choix, appuyez sur la touche MODE.

7. A) Vous pouvez commencer la séance d'entraînement sans définir de valeurs correspondant à vos objectifs.

7. B) Définissez les valeurs correspondant à vos objectifs.

## TRANSPORT ET RANGEMENT

Veillez suivre ces instructions pour déplacer ou transporter votre appareil: en le levant d'une façon incorrecte, vous risquez un accident ou un problème de dos.

L'appareil se déplace aisément grâce à ses roulettes de transport. Pour ce faire, se mettre derrière l'appareil, basculer l'appareil vers soi et le déplacer sur les roulettes disposées au bas de la barre de soutien derrière. Le déplacement de l'équipement peut abîmer certains revêtements de sol, par ex. les parquets en bois. Dans ce cas, veillez à protéger le sol. Pour lui garantir un fonctionnement impeccable, rangez et utilisez votre appareil dans un endroit sec, sans variations de température importantes, et protégez-le contre les poussières. Le déplacement de l'équipement peut abîmer certains revêtements de sol, par ex. les parquets en bois. Dans ce cas, veillez à protéger le sol.

## MAINTENANCE

L'appareil ne requiert qu'un minimum de maintenance. Vérifiez, de temps en temps, que tous les écrous et vis sont serrés.

• Après s'être exercé, séchez toujours l'appareil avec un tissu mou et absorbant. N'utilisez pas de détergent.

• N'enlevez jamais les capots protecteurs de l'appareil.

## DEFAUTS DE FONCTIONNEMENT

**ATTENTION !** En dépit d'un contrôle continu de la qualité, l'appareil peut présenter des défauts ou des anomalies de fonctionnement provenant de certains de ses composants. Dans ce cas, il n'est pas cependant nécessaire d'aller faire réparer votre appareil, le problème pouvant bien souvent être résolu par simple changement de la pièce défectueuse.

Contactez votre distributeur au cas où vous remarqueriez un défaut ou un mauvais fonctionnement de votre l'appareil ou si vous avez besoin de pièces de rechange. Indiquez-lui la nature du problème, les conditions d'utilisation, la date d'achat, le modèle et le numéro de série. Vous trouverez la liste des pièces détachées à la fin de ce mode d'emploi. Seules des pièces mentionnées dans la liste des pièces de rechange peuvent être utilisées dans l'appareil.

## CARACTERISTIQUES TECHNIQUES

Longueur .....	154 cm
Hauteur .....	153 cm
Largeur .....	64 cm
Poids .....	58 kg

Ce produit réponds aux normes des directives EMC de l'UE concernant la compatibilité électromagnétique (89/336/CEE) et les appareils électriques destinés à une utilisation dans certaines limites de tensions (73/23/CEE). Ce produit porte, en conséquence, la marque CE.

Ce produit réponds aux normes de sécurité et de précision EN (EN-957).

Du fait de sa politique de développement continu des produits, Tunturi se réserve le droit de modifier les spécifications sans préavis.

**ATTENTION !** La garantie ne couvre pas les dommages dus à une négligence des instructions d'assemblage, de réglages ou de maintenance données dans ce mode d'emploi. Suivez les instructions scrupuleusement pour l'assemblage, l'utilisation et la maintenance de votre équipement. Des changements ou modifications non expressément approuvés par Tunturi Oy Ltd rendront nulle l'autorité de l'utilisateur sur l'équipement.

**Nous vous souhaitons d'agréables et nombreuses séances d'exercice avec votre nouveau partenaire d'entraînement Tunturi !**

## INHOUD

MONTAGE.....	24
FITNESS TRAINING MET TUNTURI.....	26
MONITOR.....	27
ONDERHOUD.....	29
GEBRUIKSTORINGEN.....	29
TECHNISCHE GEGEVENS.....	29

## OPMERKINGEN EN ADVIEZEN

Lees deze gids zorgvuldig door vóórdat u begint met monteren, gebruiken of onderhouden van uw Tunturi trainer. Bewaar de gids op een handige plaats. U kunt er, nu en in de toekomst, nuttige informatie uithalen die u nodig heeft voor het gebruik en het onderhoud van de apparatuur. Volg de instructies altijd met zorg op. De garantie vervalt bij schade ontstaan tijdens de verzending of door het niet volgen van de in deze handleiding gegeven instructies betreffende het monteren, afstellen en onderhoud van het apparaat.

## VEILIGHEID

- Het doornemen en opvolgen van de onderstaande voorzorgen is uitermate belangrijk voor de veiligheid van de gebruiker.
- De trainer is geschikt voor personen tot maximaal 135 kg lichaamsgewicht.
- Laat uw conditie controleren bij uw huisarts voordat u begint met trainen.
- Bij misselijkheid, duizeligheid of een ander lichamelijk ongemak gebruik dient de gebruiker direct te stoppen en een arts te raadplegen.
- Om spierpijn te voorkomen, begint u de training met een warming up en sluit u die af met cooling-down (langzaam trainen met geringe weerstand). U sluit de training af met stretch oefeningen.
- Plaats de trainer op een vlakke en

stevige ondergrond.

- De trainer kan tijdens in het gebruik stof en/of smeermiddelen verliezen. De ondergrond dient hiertegen bestand te zijn.
- Zorg voor voldoende ventilatie tijdens de training, maar zorg dat u niet op de tocht zit.
- Houd bij het op-en afstappen de handgrepen vast.
- Gebruik de trainer uitsluitend voor het doel waarvoor deze is gemaakt en zoals hierna beschreven wordt.

## VERDER

- De trainer mag uitsluitend door één persoon tegelijk gebruikt worden.
- Raak nooit bewegende delen aan.
- Houd kinderen en huisdieren tijdens de training buiten het bereik van de trainer.
- Houd toezicht bij gebruik door kinderen of gehandicapte personen.
- Draag tijdens de training de juiste kleding en geschikte schoenen.
- Stop in geval van een defect of storing en neem contact op met uw dealer.
- Houd hiervoor gevoelige apparatuur of dingen buiten het bereik van het magnetisch veld van het weerstandsmechanisme.
- Controleer voor de training of het apparaat goed functioneert. Train nooit op een defect apparaat.
- Onderhoud en afstellingen anders dan in deze handleiding beschreven dienen uitsluitend uitgevoerd te worden door deskundigen. Volg de instructies van de handleiding nauwkeurig op.
- Tijdens de training is de ideale gebruikstemperatuur tussen +10° en +35°C; voor opslag gelden de temperaturen tussen de -15° en +40°C. De luchtvochtigheid in de trainings- of opslagruimte mag nooit hoger dan 90 % zijn.

- Leun of steun nooit op de meter.
- Druk op de toetsen met uw vingertoppen; nagels kunnen de toetsmembranen beschadigen.
- Stap niet op de framekast.
- Het apparaat is ontworpen voor thuisgebruik. De Tunturi-garantie is alleen van toepassing op defecten en storingen ontstaan bij thuisgebruik (24 maanden). Nadere informatie over de garantie op uw trainingstoestel vindt u in het bijgesloten garantieboekje.

### WELKOM IN DE WERELD VAN TUNTURITRAINING!

Uw keuze toont aan, dat u echt in uw gezondheid en conditie wilt investeren. Het bewijst ook, dat u kwaliteit en stijl belangrijk vindt en dit waardeert. Met deze Tunturi trainer heeft u een veilig, motiverend, kwaliteitsproduct als trainingspartner gekozen. Wat uw trainingsdoel ook is, wij zijn ervan overtuigd dat de keuze van deze trainer de juiste is, om uw doel te bereiken. Informatie betreffende het gebruik van Uw trainingsapparatuur en een efficiënte training hiermede kunt U in deze gids en Tunturi's website [WWW.TUNTURI.COM](http://WWW.TUNTURI.COM) vinden.

### MONTAGE

Voor de monteren zijn twee personen nodig. De instructies links, rechts, voor en achter, zijn bepaald zittend op de trainer.

1. Frame
  2. Dwarssteun voor
  3. Dwarssteun achter
  4. Voorbuis voor
  5. Handgrepen (2 st.)
  6. Voetsteunen (2 st.)
  7. Meter
  8. Handsteun
  9. Stang
  10. Transformator
  11. Gereedschap set (onderdelen met \* in de onderdelenlijst: Bewaar de montagebenodigdheden, omdat u die o.a. nog bij de bijstelling van de apparatuur kunt gebruiken)
- Mocht er een onderdeel missen, neem dan contact op met uw Tunturi dealer onder vermelding van het model, het serienummer van het apparaat en het nummer van het missende onderdeel. Achter in deze gids vindt u de onderdelenlijst. De verpakking bevat een zakje met korrels die de apparatuur tijdens opslag en transport, heeft beschermd tegen vocht. Dit zakje kan na het uitpakken van

de trainer, weggegooid worden. Plaats de trainer op een zo vlak mogelijke ondergrond, met aan de voorkant, de achterkant en aan de zijkanten minstens 100 cm vrije ruimte.

### DWARSSTEUN ACHTER

Druk de steundoppen op de uiteinden van de dwarssteun achter vast en bevestig de steunvoet achter met de twee schroeven, ringen, de veerring en de moer aan het frame.



### DWARSSTEUN VOOR

Bevestig de steunvoet voor, die van transportwielen ter verplaatsing voorzien is, met de twee schroeven, ringen, de veerring en de moer aan het frame.



### VOETSTEUNEN

Maak de voetsteunen vast op de gewenste plaatsen van de treeplank met twee schroeven, borgring en knop.



### VOORBUIS

Verwijder de elastiekjes van de uit de framebuis komende draad voor de monitor.



Koppel de uit de framebuis komende draad voor de monitor aan het zich op de voorbuis bevindende stekkertje. Duw de voorbuis in de framebuis naar binnen: let er daarbij op de draad voor de meter niet te beschadigen! Bevestig de voorbuis op het frame met de 5 inbusbouten, ringen en veering.



### HANDGREPEN

Druk de metalen stang door de kunststof geleide bussen in de voorbuis. Plaats vervolgens de linker en de rechter handgreepbuis op de metalen stang. Bij het plaatsen van de handgreepbuizen moet u erop letten dat de hoogte vergrendelknoppen aan de voorzijde dienen te zitten. Daarna de beide inbusbouten met de veering en de grote onderlegring plaatsen en vastzetten.

Duw de linker treeplank zover naar voren dat de bevestigingsbuis, die zich aan de voorkant van de treeplank bevindt, in de handgreepbuis geplaatst kan worden. Vergrendel de handgreepbuis met de treeplank dmv de borgknop. Doe hetzelfde met de rechterkant.



### HANDSTEUN

Bevestig het stuur aan de stuurkolom met 4 ringen en 2 schroeven. Duw de sensordraden door het

gat midden in de stuurkolom. Draai de bouten stevig vast, zodat het stuur niet beweegt tijdens de training. Let op, dat U de draden niet beschadigt!



### MONITOR

Verbind de draad met de bijbehorende aansluitingen van de monitor. Druk de monitor op het uiteinde van de stuurkolom en bevestig de monitor met behulp van de 4 schroeven.



### TRANSFORMATOR

Stop eerst de kleine stekker in de opening op de koker van het toestel. Sluit dan de transformator aan op een stopcontact met 230 volt. Nu is het toestel klaar voor gebruik.

### Veiligheidsrichtlijnen voor toes tellen met elektrische aansluiting

Gebruik uw hometrainer niet wanneer er een of andere beschadiging is aan de kabel of het toestel. Hou de stroomkabel uit de buurt van warme voorwerpen.

Gebruik uw trainingstoestel niet in openlucht of in vochtige ruimten.

Leg de stroomkabel niet onder een tapijt en plaats geen voorwerpen op de kabel.

Trek de stekker uit het stopcontact vooraleer u het toestel verplaatst, eventueel een onderhoud uitvoert of de koker opent.

De kabel tussen de transformator en het toestel mag niet veranderd (bijv. verlengd) worden.

## FITNESS TRAINING MET TUNTURI

Instabiliteit van het toestel kunt u verhelpen met behulp van de afstelschroef onder de achtersteun.

Als u speling voelt in de pedaalbuizen kunt u de moeren op de voorkant van de pedaalarmen aandraaien tot de speling verdwijnt.

## INSTELLEN VAN DE WEERSTAND

U kunt de intensiteit van uw training instellen met behulp van de +/- knoppen:

weerstand / hartslag vermeerderen: + knop,  
weerstand / hartslag verminderen: - knop.

## TRAININGS NIVEAU

Trainen op een fietstrainer is een uitstekende aërobe oefening, die in principe licht maar langdurig van aard is. Aërobe inspanning vergroot het zuurstofopnamevermogen van het lichaam, waardoor het uithoudingsvermogen en de conditie verbeteren. Door de verbeterde zuurstofopname neemt ook het vet verbrandingsvermogen van het lichaam toe. Een fit lichaam verbrandt dus ook in rust meer vet. Aërobe training is bovenal aangenaam. Transpireren is uitstekend, maar het is niet de bedoeling dat u buiten adem raakt. Tijdens de training kunt u nog normaal spreken, u gaat dus niet hijgen. Om een goede basisconditie op te bouwen moet u minstens drie keer per week dertig minuten trainen. Om een bepaald conditieniveau te handhaven zijn enkele trainingen per week voldoende. De conditie kan eenvoudig verder worden verbeterd door het aantal trainingen per week te verhogen.

## TRAINEN OM AF TE VALLEN

Omdat inspanning de enige manier is om het energieverbruik (vetverbranding) van het lichaam te verhogen, wordt u voor uw training beloond met gewichtsverlies. Zeker als u de training combineert met gezonde voeding. Wie wil afvallen kan het best beginnen met een dagelijkse training van ongeveer dertig minuten en dat geleidelijk opbouwen tot hooguit een uur. Zeker bij overgewicht is het verstandig om altijd in een rustig tempo en met weinig weerstand te beginnen om het hart- en vaatsysteem niet te zwaar te

belasten. Als de conditie beter wordt, kunnen trapsnelheid en weerstand geleidelijk worden verhoogd. De doelmatigheid van een training is te controleren aan de hand van de hartslag. Met de hartslagmeter kunt u de hartslag tijdens de training eenvoudig meten en zo controleren of de training voldoende effectief is zonder dat het lichaam te zwaar wordt belast.

## TRAININGS NIVEAU

Wat uw doel, uw streven ook met het trainen is, u bereikt het beste resultaat door te trainen op een niveau dat u aankunt. Daarvoor is, zoals gezegd, uw hartslag de beste graadmeter.

## HARTSLAGMETING MET HANDSENSOREN

Het apparaat meet de hartslag met sensoren die zich in de handsteunen bevinden en die de hartslag meten telkens wanneer de gebruiker beide sensoren tegelijkertijd aanraakt. Voor een betrouwbare polsmeting dient de huid onafgebroken in contact te staan met de sensoren en zou deze huid lichtjes vochtig moeten zijn. Een te droge of te vochtige huid kan een onjuiste hartslagmeting tot gevolg hebben. Let op: het actieve gebruik van de spieren van het bovenlichaam tijdens de oefening kan een invloed uitoefenen op de meting van de hartslag: actieve spieren brengen dezelfde elektronische signalen over als de hartspier. Daarom raden we een ontspannen houding van de armen aan tijdens de hartslagmeting.

Als u niet weet wat uw maximale hartslag is, kunt u de volgende formule als leidraad nemen:

### 220 – DE LEEFTIJD

Het maximum varieert van persoon tot persoon. De maximale hartslag daalt per jaar met gemiddeld één punt. Als u tot de risicogroepen behoort, vraag dan een arts uw maximale hartslag te bepalen. Om u te helpen met uw training, hebben wij drie verschillende hartslag niveaus geselecteerd.

**BEGINNER** • 50 tot 60 % van de maximale hartslag

Dit niveau is ook geschikt voor mensen die lijnen, mensen die herstellende zijn van een ziekte en mensen die lang niet getraind hebben. Drie trainingen van tenminste een halfuur per week zijn aan te bevelen. Regelmatig trainen stimuleert bij een beginner de ademhaling en bloedsomloop in sterke mate en zorgt al snel voor een merkbaar resultaat.

**GEMIDDELDE SPORTER** • 60 tot 70 % van de maximale hartslag

Een perfect niveau om de conditie te verbeteren en op peil te houden. Zelfs een redelijk normale inspanning - minimaal 3 trainingen van 30 minuten per week – heeft een positief effect op hart en longen. Om uw conditie verder te verbeteren kunt u het aantal keren trainen per week verhogen of de duur van uw training verlengen. Verhoog echter nooit beide tegelijkertijd!

GETRAINDE SPORTER • 70 tot 80 % van de maximale hartslag

Trainen op dit niveau is alleen weggelegd voor wie écht fit is en wie gewend is aan langdurige conditie trainingen.

## MONITOR



De monitor gaat vanzelf aan zodra de stekker in het stopcontact wordt gestoken. Als er 4 minuten geen activiteit is (bewegen, of het indrukken van een toets), schakelt de monitor vanzelf uit. Haal na het trainen altijd de stekker van de transformator uit het stopcontact.

U kunt programma's kiezen enkel in de modus Stop (geen training, het symbool P verschijnt op het beeldscherm). Druk dan op de RESET en keuz programma met de + / - toetsen.

De displays worden automatisch geactiveerd wanneer u met uw trainingssessie begint. Gebruik de MODE-knop om van het ene naar het andere display te bewegen. De meter reageert na enkele seconden op alle impulsen (de hartslagmetingen starten ongeveer na een vertraging van ongeveer 10 seconden).

**BELANGRIJK!** Wanneer hartslagcontrole wordt gebruikt, wordt de weerstand omhoog aangepast in intervallen van 30 seconden en omlaag in intervallen van 15 seconden.

**BELANGRIJK!** De meter vraagt alleen naar uw leeftijd nadat de stroom wordt uitgeschakeld. Anders blijft de opgegeven leeftijd bewaard in het geheugen van de meter.

## DRUKKNOPPEN

### START / STOP

Start, onderbreek en stop de trainingssessie. Als u tijdens uw trainingssessie op deze knop drukt, wordt de trainingssessie onderbroken. Druk weer op deze knop om verder te gaan met de trainingssessie.

### MODE

Beweeg van de ene streefwaarde naar de volgende.

### RESET

Om het gekozen display te resetten, moet de knop kort ingedrukt worden. Om alle displays van de meter te resetten, moet de knop worden ingedrukt en ingedrukt gehouden worden.

+ / -

Kies programma's. Stel streefwaarden in. Druk de knop in en houd deze ingedrukt om de waarden versneld te laten veranderen.

## DISPLAYS

### 1. RPM / SPEED (Snelheid)

Tijdens de training wordt afwisselend het aantal toeren per minuut of de snelheid in km/h getoond.

### 2. TIME (Tijdmeting)

De tijd die vanaf het begin van de training verlopen is of de nog resterende trainingstijd wordt getoond. Het dubbelpunt (:) knippert eenmaal per seconde, wanneer de tijd tijdens de training gemeten wordt. Bij "00:00" weerklinkt een geluidssignaal.

### 3. DISTANCE (Afstand)

De afstand die tijdens de training afgelegd wordt of de nog af te leggen afstand wordt getoond. Waarden worden gemeten per 10 meter.

### 4. WATTS / CALORIES (Inspanning / Calorieën)

Het display wisselt tussen de waarden. Inspanning in watts. Het energieverbruik tijdens de training wordt in kcal getoond. Voor de omrekening in Joule gebruikt u best de formule: 1 Kcal = 4,187 kJ. Bij dit toestel wordt het energieverbruik op basis van gemiddelde waarden berekend. Aangezien het vermogen om energie te produceren (het zogenaamde rendement), bij iedereen echter verschillend is, kan het aangegeven energieverbruik

onvermijdelijk slechts een benadering van het daadwerkelijke verbruik zijn.

#### 5. PULSE (Polsmeting)

Door de handsensoren wordt de polsslagen berekend. Het hartsymbool knippert synchroon met de polsslagen.

### FUNCTIES

#### 1. MANUAL

Train op het door u geselecteerde weerstandsniveau (1-16). U kunt uw weerstandsniveau tijdens uw trainingssessie wijzigen.

#### 2. PROGRAM

Kies uit 12 voorgeprogrammeerde trainingsprogramma's. Nadat een programma is geselecteerd, kunt u het profiel van dat programma zien.

#### 3. USER

U kunt dit programma aan uw wensen aanpassen.

#### 4. TARGET HR

Met dit programma kunt u trainen op het door u geselecteerde hartslagniveau. Het apparaat wijzigt automatisch de weerstand zodat deze overeenkomt met uw geselecteerde hartslag.

### GEbruik VAN DE METER

Start de meter door het apparaat aan te sluiten op een voedingsbron. Na gebruik moet het apparaat altijd van de voedingsbron ontkoppeld worden.

Als het P symbool wordt weergegeven op het display, wordt met de RESET-knop een status geactiveerd waarin u met de +/- knoppen een trainingsprogramma kunt selecteren.

Selecteer de eenheden die moeten worden weergegeven met behulp van de schakelaar op de achterkant van de meterbehuizing. U kunt metrische eenheden (km, km/h, Celsius) of Engelse eenheden (ml, mph, Fahrenheit) selecteren.

**BELANGRIJK!** In het programma MANUAL kunt u uw nagestreefde inspanningsniveau instellen. Hierdoor wordt het Manual-programma gewijzigd in een watt-programma. Het weerstandsniveau wordt automatisch aangepast door het apparaat, zodat het inspanningsniveau op het geselecteerde niveau blijft, ongeacht het aantal pedaalslagen. Een pijl omhoog naast de watt-uitleiding betekent dat uw inspanningsniveau hoger is dan uw streefinspanningsniveau. Een pijl naar beneden betekent dat uw weerstandsniveau lager is dan het streefinspanningsniveau. Als u een streefinspanningsniveau instelt, kunt u tijdens de trainingssessie de weerstand niet aanpassen met de +/- knoppen.

### MANUAL-PROGRAMMA

1. Selecteer MANUAL met behulp van de +/- knoppen.

2. Bevestig uw keuze door de MODE-knop in te drukken.

3. A) U kunt met trainen starten zonder streefwaarden.

3. B) Stel uw streefwaarden in.

4. Druk op de START/STOP-knop en start uw trainingssessie. Pas de weerstand aan met de +/- knoppen.

5. Beëindig uw trainingssessie door op de START/STOP-knop te drukken.

### PROGRAM (VOORGEPROGRAMMEERDE TRAININGSPROFIELEN)

3. A) U kunt met trainen starten zonder streefwaarden. In dat geval duurt elke balk in het programmaprofiel 16 pedaalslagen.

3. B) Stel uw streefwaarden in. Wanneer u een tijd instelt, wordt de duur van elk van de 16 balken in het profiel verdeeld aan de hand van de geselecteerde tijd.

**BELANGRIJK!** U kunt het trainingsniveau met de +/- knoppen aanpassen.

### USER

3. De eerste balk in het profiel knippert. Stel hiervoor een geschikt niveau in met de +/- knoppen.

4. Bevestig uw keuze met de MODE-knop. U wordt dan naar de volgende balk geleid. Stel hiervoor een geschikt weerstandsniveau in zoals hierboven. Herhaal deze procedure voor elke balk in het profiel.

5. A) U kunt een trainingssessie uitvoeren zonder streefwaarden. In dat geval duurt elke balk in het profiel 16 pedaalslagen. U kunt elk balkniveau aanpassen met de +/- knoppen.

5. B) Stel uw streefwaarden in. Druk de MODE-knop 2 seconden lang in om elke streefwaarde in te voeren. De duur van elk van de 16 balken in het profiel wordt verdeeld aan de hand van de geselecteerde tijd.

6. Druk op de START/STOP-knop en start uw trainingssessie. U kunt elk balkniveau aanpassen met de +/- knoppen.

**BELANGRIJK!** Als u een streefwaarde of streefwaarden instelt, eindigt de trainingssessie nadat de eerste streefwaarde is bereikt. U kunt uw trainingssessie voortzetten door op START/STOP te drukken.

**TARGET HR**

3. AGE (leeftijd) knippert op het display. Stel uw leeftijd in met de +/- knoppen.

4. Bevestig de instelling door op de MODE-knop te drukken.

5. Kies uw streefbereik voor uw hartslag met de +/- knoppen. U kunt een hartslagbereik selecteren van 55%, 75% of 90% van uw maximumhartslag, of THR, waarmee u uw hartslagniveau met behulp van de +/- knoppen kunt instellen. Op het hartslagdisplay kunt u zien welke hartslagen corresponderen met uw gekozen hartslagbereik.

6. Bevestig uw keuze door de MODE-knop in te drukken.

7. A) U kunt met trainen starten zonder streefwaarden.

7. B) Stel uw streefwaarden in.

**ONDERHOUD**

De Tunturi apparaten hebben weinig onderhoud nodig. Het is raadzaam om zo nu en dan te controleren of alle bouten en moeren nog goed vast zitten. U kunt het apparaat schoonhouden door het af te nemen met een vochtige doek. Gebruik echter geen oplosmiddelen.

- De metalen delen kunt u het beste tegen de inwerking van transpiratievocht beschermen, om regelmatig deze delen te behandelen met teflonolie.
- Verwijder de kunststof behuizing van het apparaat nooit!

**GEBRUIKSSTORINGEN**

**BELANGRIJK!** Ondanks voortdurende kwaliteitscontroles, kunnen er defecten of storingen optreden die het gevolg zijn van het niet goed functioneren van onderdelen die in de trainer zijn gebruikt. In de meeste gevallen is het onnodig om het gehele apparaat ter reparatie aan te bieden, aangezien de storing meestal kan worden opgelost door het vervangen van het defecte onderdeel.

Mochten er storingen optreden bij het gebruik van de trainer, neem dan onmiddellijk contact op met uw Tunturi dealer. Vermeldt daarbij altijd het model en het serienummer van uw Tunturi trainer, de eventuele storingscode en door wie de trainer is geïnstalleerd.

Vermeldt bij het bestellen van onderdelen het model, het serienummer van het apparaat en het nummer van het onderdeel. Op de laatste pagina's van deze gids vindt u de onderdelenlijst.

**TECHNISCHE GEGEVENS**

Lengte .....	154 cm
Breedte .....	64 cm
Hoogte .....	153 cm
Gewicht .....	58 kg

Dit product voldoet aan de eisen van EUs EMC Directieven betreffende elektromagnetische compatibiliteit (89/336/EEC) en elektrische apparatuur ontworpen voor gebruik binnen bepaalde spanningslimieten (73/23/EEC). Daarom is dit product met de CE label voorzien.

Dit product voldoet aan EN precisie- en veiligheidsnormen (EN-957).

Tunturi is gerechtigd om specificaties te veranderen zonder daarover nader te berichten.

**BELANGRIJK!** De garantie vervalt bij schade als gevolg van het niet volgen van de instructies in deze gids betreffende het monteren, het instellen en het onderhouden van de apparatuur. De instructies dienen bij het in elkaar zetten, het onderhoud en het gebruik, zo zorgvuldig mogelijk te worden gevolgd. Veranderingen of modificaties, welke niet door Tunturi Oy Ltd zijn goedgekeurd, laten de Tunturi Oy Ltd product aansprakelijkheid geheel vervallen.

**Wij wensen u veel plezierige trainingen met uw nieuwe Tunturi trainingspartner!**

## INDICE

MONTAGGIO .....	31
IL TRAINING CON LA TUNTURI.....	33
PANNELLO.....	34
TRASPORTO ED IMMAGAZZINAGGIO .....	36
MANUTENZIONE.....	36
DISTURBI DURANTE L'USO.....	36
DATI TECNICI .....	36

## AVVERTENZE

Questo libretto di istruzioni è una parte essenziale della tua attrezzatura da ginnastica. Leggi con attenzione quanto scritto in questa guida, prima del montaggio dei pezzi e prima di fare uso dell'attrezzo o di effettuarne qualunque manutenzione. Ti raccomandiamo pure di conservare la presente guida in un luogo sicuro e a portata di mano; essa ti fornirà, adesso e nel futuro, tutte le istruzioni necessarie all'uso e alla manutenzione della tua attrezzatura da ginnastica. Tali istruzioni devi seguirle sempre con molta attenzione! La garanzia non copre danni derivati da negligenze derivate nelle regolazioni o nelle manutenzioni descritte in questo libretto.

## AVVERTENZE SULLA VOSTRA SALUTE

- Prima di iniziare l'allenamento consultate un medico per controllare la vostra condizione fisica.
- Se avvertite disturbi, nausea o altri sintomi anormali durante l'esercizio, smettete immediatamente e consultate un medico.
- Onde evitare dolori muscolari, fate alcuni esercizi di stiramento prima dell'allenamento.

## AVVERTENZE SULL'AMBIENTE

- L'attrezzo non è stato progettato per essere usato all'aperto.

- Posizionare l'attrezzo su una superficie la più piana possibile.
- Assicuratevi che l'ambiente dove vi allenate abbia ventilazione adeguata e non sia umido.
- Consigliamo di conservare l'attrezzo, quando in uso, a temperatura ambiente da +10 a +35°C. L'attrezzo può essere immagazzinato da -15 a + 40°C. Il tasso d'umidità non deve mai superare il 90 %.

## AVVERTENZE SULL'USO DELL'ATTREZZO

- Se si permette ai bambini di usare l'attrezzo, si deve sempre tenere conto del loro sviluppo fisico e mentale e del loro temperamento. Devono essere istruiti al corretto uso dell'attrezzo e controllati.
- Prima dell'uso assicuratevi che l'attrezzo funzioni correttamente. Non usate un attrezzo difettoso.
- Non appoggiarsi mai sul pannello.
- Premi i tasti con il polpastrello: le unghie possono danneggiare la membrana del display.
- Non usate mai l'attrezzo con carter smontati.
- Per evitare danni consigliamo di collocare l'attrezzo su una superficie protettiva.
- L'attrezzo può essere usato da una persona sola alla volta.
- Impugnate il manubrio per salire o scendere dall'attrezzo.
- Proteggi il pannello dell'utente dalla luce del sole. La superficie del pannello, se bagnata dal sudore, deve sempre essere asciugata.
- Indossate abbigliamento appropriato durante l'allenamento.
- Non tentate riparazioni e manutenzioni diverse da quelle descritte da questo manuale.

- L'attrezzo non può essere usato da persone, il cui peso superi i 135 kg.
- Questo attrezzo è concepito per uso domestico, per il quale vale la garanzia; per uso domestico 24 mesi. Per maggiori informazioni sulle condizioni di garanzia dell'attrezzo, consultare il libretto digaranzia allegato.

### SEI BENVENUTO NEL MONDO DEGLI ALLENAMENTI TUNTURI!

Hai fatto un'ottima scelta. Si vede che tieni alla tua forma fisica. Indubbiamente sei una persona esigente che richiede il meglio in quanto a qualità e stile. Nella Tunturi troverai il tuo partner ideale. Alta tecnologia, sicurezza e stimolo per sempre migliori prestazioni sono le sue caratteristiche. Qualunque sia il tipo di allenamento che intendi praticare, questo è lo strumento fatto per te. Nel fascicolo unito al tuo attrezzo Tunturi troverai le informazioni necessarie per un allenamento efficace. Puoi anche consultare il sito internet della Tunturi ([WWW.TUNTURI.COM](http://WWW.TUNTURI.COM)).

### MONTAGGIO

Per montaggio sono necessarie due persone. Iniziate a controllare i seguenti componenti, contenuti nella confezione:

1. Telaio
2. Base appoggio anteriore
3. Base appoggio posteriore
4. Tubo telaio anteriore
5. Maniglie (2 pezzi)
6. Basette appoggiapiedi (2 pezzi)
7. Contatore
8. Appoggiamani
9. Barra
10. Cavetto di alimentazione
11. Busta con ferramenta (contenuto indicato con asterisco nell'elenco pezzi di ricambio): conserva tali utensili con cura, in quanto ne puoi aver bisogno (per esempio, in fase di regolazione dell'attrezzo).

La lista pezzi di ricambio, la trovi nel retro di questa guida. Se avete bisogno di ricambi, contattate il rivenditore indicando il modello, il numero di serie dell'attrezzo e i codice del ricambio. L'imballo comprende anche un sacchetto anti-umidità per assobirla durante il trasporto. Sinistra, destra, davanti e dietro sono visti dalla posizione d'uso. Lasciate 100 cm di spazio circa l'attrezzatura.

### BASE APPOGGIO POSTERIORE

Premi le protezioni di plastica entro le estremità della base e fissa quest'ultima al telaio, usando due viti, rondelle e piattine di fissaggio.



### BASE APPOGGIO ANTERIORE

Fissa al telaio la base, provvista di rotelle, usando due viti, rondelle e piattine di fissaggio.



### BASETTE APPOGGIAPIEDI

Fissa le basette nel punto desiderato del braccio pedale, usando due viti, due rondelle per ogni vite e due dadi, da stringere.



### TUBO ANTERIORE

Rimuovi l'elastico che tiene fermo il cavetto contatore, fuoriuscente dal tubo telaio.

Collega il cavetto contatore dal tubo telaio all'attacco che si trova nel tubo anteriore. Spingi il tubo anteriore all'interno del tubo telaio, facendo attenzione a non danneggiare il cavetto contatore. Fissa quindi ben stretto il tubo anteriore, con le rondelle e le viti.



## MANIGLIE

Spingi la barra metallica attraverso l'alloggio dell'impugnatura di sinistra, colloca la maniglia in prossimità del foro di fissaggio del tubo anteriore e spingi quindi la barra anche attraverso il foro dell'asse. Fatto ciò, premi la maniglia di destra entro l'estremità della barra metallica e blocca la barra stessa, fissando all'estremità dell'alloggio della maniglia una rondella grande, una piattina di bloccaggio e una vite di fissaggio. Stringi le maniglie con due chiavi a testa esagonale.

Spingi il braccio pedale di sinistra in avanti, in modo da riuscire a spingerlo all'interno della maniglia del tubo fissaggio, che si trova nella parte anteriore del braccio pedale. Fissa la maniglia alla basetta appoggiapiedi, usando la vite di regolazione. Ripeti quindi l'operazione per la maniglia di destra.



## APPOGGIAMANI

Fissare il poggiamano alla barra anteriore con 4 rondelle e 2 viti. Inserire il filo del cardiofrequenzimetro attraverso il foro centrale che si trova sulla barra anteriore. Serrare correttamente le viti di fissaggio. Fare attenzione a non danneggiare i cavi.



## CONTATORE

Inserire il pannello nell'estremità della barra anteriore e serrare le 4 viti. Collegare il filo alle prese del pannello.



## TRASFORMATORE

Inserire innanzitutto la spina piccola nella presa sull'alloggiamento dell'apparecchio. Collegare quindi il trasformatore a una presa elettrica da 230 Volt. Ora l'apparecchio è pronto per l'allenamento.

## Norme di sicurezza per gli apparecchi con collegamento elettrico

Non utilizzare l'apparecchio di allenamento domestico se il cavo o l'apparecchio stesso sono danneggiati.

Tenere il cavo della corrente lontano da fonti di calore.

Non utilizzare l'apparecchio all'aperto o in ambienti umidi.

Non fare passare i cavi sotto i tappeti e non appoggiare alcun oggetto sui cavi.



Estrarre la spina dalla presa prima di spostare l'apparecchio, prima di effettuare eventuali interventi di manutenzione o di aprire l'alloggiamento.

Non modificare il cavo fra il trasformatore e l'apparecchio (per es. prolungarlo).

### IL TRAINING CON LA TUNTURI

Se il dispositivo non è stabile, regolare le viti di regolazione sotto il supporto fino a raggiungere la stabilità.

Se si avverte gioco nei tubi dei pedali, serrare i dadi dell'asse sull'estremità anteriore dei bracci dei pedali, fino a farlo scomparire.

### REGOLAZIONE DELLA RESISTENZA

Per incrementare l'intensità/frequenza cardiaca, digitare il tasto +, per ridurre invece, digitare il tasto -.

### LIVELLO DEGLI ESERCIZI

Pedalarre è un eccellente esercizio aerobico molto meglio se di bassa intensità ma di lunga durata. L'allenamento aerobico migliora la capacità polmonare, che migliora la resistenza e la condizione fisica in generale. La capacità del corpo di bruciare grasso è direttamente dipendente alla capacità di immissione dell'ossigeno. L'esercizio aerobico deve soprattutto essere divertente. Aumenta la respirazione ma non dovrete mai andare in debito di ossigeno durante l'allenamento. Dovreste ad esempio poter parlare senza problemi. Dovreste allenare almeno tre volte la settimana per 30 minuti per raggiungere un discreto livello che per essere migliorato richiede solo l'incremento delle sessioni di allenamento. L'allenamento aerobico si accompagna anche alle diete perchè è l'unico modo per incrementare l'energia spese dal corpo. Una persona chi si sottopone ad una dieta dovrebbe accompagnarla ad un allenamento regolare. Potete iniziare a ritmo blando e bassa resistenza perchè un esercizio troppo intenso può provocare in una persona sovrappeso un affaticamento del cuore. Si possono controllare i propri progressi misurando le pulsazioni sotto sforzo grazie all'accessorio incluso. Questo anche per controllare che l'allenamento sia efficace ma non troppo pesante.

### BATTITO CARDIACO

Il cardiofrequenzimetro, che permette di controllare anche la circolazione superficiale, è integrato nel corrimano. I sensori installati, rivelano la frequenza cardiaca quando l'utente appoggia entrambe le mani sul corrimano. Qualunque sia lo scopo che tu ti sia prefissato, i

risultati migliori saranno raggiunti col suddetto training al giusto livello di sforzo, e la misura migliore, per tale sforzo, è il ritmo del tuo stesso cuore.

### MISURAZIONE DELLE PULSAZIONI CON SENSORI NEL MANUBRIO

L'attrezzo misura le pulsazioni con i sensori posizionati sui supporti per le mani, che consentono di calcolare le pulsazioni ogni volta che l'utente tocca contemporaneamente entrambi i sensori. Per una misura delle pulsazioni affidabile, la pelle deve essere continuamente a contatto con i sensori e leggermente umida. Una pelle troppo secca o troppo umida comprometterà la misura mediante Hand Pulse. Anche l'utilizzo attivo dei muscoli della parte superiore del corpo durante l'esercizio potrebbe interferire con la misura mediante Hand Pulse: i muscoli attivi trasmettono segnali elettronici simili a quelli del muscolo cardiaco. Pertanto, si consiglia di tenere le braccia rilassate durante la misura delle pulsazioni.

Per prima cosa, quindi, devi sapere qual'è il livello massimo di battiti cardiaci, ovverossia il livello, oltre il quale le pulsazioni non aumentano, pur aggiungendo sforzi. Se tu non conosci il numero massimo delle tue pulsazioni, puoi usare la seguente formula indicativa:

#### 220 - L'ETÀ

Naturalmente, il valore massimo effettivo varia da persona a persona. Il numero massimo di pulsazioni cardiache diminuisce, in media, di un punto ogni anno. Se appartieni ad uno gruppo a rischio, chiedi a un medico di misurare il tuo livello massimo di pulsazioni cardiache. Abbiamo definito tre differenti aree di pulsazioni, per aiutarti a stabilire il tuo livello di training.

PRINCIPIANTI • 50-60 % del massimo di pulsazioni

Questo livello è indicato anche per i weight-watchers, per i convalescenti e per coloro che non hanno fatto allenamento per lungo tempo. Si raccomandano tre periodi di training ininterrotto alla settimana, ognuno della durata di almeno mezz'ora. Un esercizio regolare migliora notevolmente la performance respiratoria e circolatoria del principiante, tanto da farti sentire presto molto più in forma.

TRAINER • 60-70 % del massimo di pulsazioni

Questo livello è perfetto per chi voglia migliorare il proprio fitness e mantenerlo in ottime condizioni. Uno sforzo ragionevole e bilanciato migliora notevolmente le funzioni cardiovascolari e

respiratorie; il training deve durare per almeno 30 minuti e deve essere fatto come minimo tre volte alla settimana. Per migliorare ulteriormente la tua condizione fisica, puoi aumentare la frequenza o l'intensità dello sforzo, ma non entrambi allo stesso tempo!

#### TRAINER ATTIVO • 70-80 % DEL MASSIMO DI PULSAZIONI

Le esercitazioni a questo livello vanno bene solo per coloro che hanno raggiunto una forma quasi perfetta e devono essere precedute da lunghi periodi di allenamenti "endurance".

### PANNELLO



Il pannello si accende automaticamente quando la spina è attaccata. Si spegne da solo dopo 4 minuti di non-uso. Alla fine dell'allenamento, scollegare il cavetto di alimentazione dalla presa di corrente.

È possibile selezionare i programmi soltanto in modalità Stop (nessun allenamento), quando è visualizzato sul display il simbolo P di parcheggio. Premere il tasto RESET ed selezionare al programma con i tasti + / -.

Le schermate vengono attivate automaticamente all'inizio dell'allenamento. Per passare da una schermata all'altra, utilizzare il tasto MODE (MODALITÀ). Il pannello reagisce a tutti gli impulsi dopo un paio di secondi (le rilevazioni del battito cardiaco iniziano dopo un ritardo di circa 10 secondi).

**IMPORTANTE** - Quando si utilizza il controllo del battito cardiaco, la resistenza viene aumentata

in cicli di 30 secondi e diminuita in cicli di 15 secondi.

**IMPORTANTE** - Il pannello richiede l'età solo nel caso in cui sia stata staccata l'alimentazione. In caso contrario, l'età immessa resta nella memoria del pannello.

### TASTI

**START / STOP (AVVIA / INTERROMPI)**  
Avviare, interrompere e arrestare l'allenamento. Premendo questo tasto durante l'allenamento, la sessione viene interrotta. Premerlo nuovamente per riprendere la sessione.

**MODE (MODALITÀ)**  
Passare da un valore di riferimento all'altro.

**RESET (RIPRISTINA)**  
Per ripristinare la schermata selezionata, premere brevemente il tasto. Per ripristinare tutte le schermate del pannello, tenere premuto il tasto.

+ / -  
Selezionare i programmi. Impostare i valori di riferimento. Per scorrere i valori più rapidamente, tenere premuto il tasto.

### SCHERMATE

#### 1. RPM / SPEED (Velocità)

Durante l'allenamento vengono visualizzati alternativamente i giri al minuto (RPM) o la velocità in km/h.

#### 2. TIME (Cronometro)

Viene visualizzato il tempo trascorso dall'inizio dell'allenamento o il tempo che rimane per l'allenamento. I due punti (:) lampeggiano una volta al secondo durante il monitoraggio del tempo in fase di allenamento. A "00:00" risuona un segnale acustico.

#### 3. DISTANCE (Percorso)

Viene visualizzato il percorso effettuato durante l'allenamento o il percorso ancora da compiere. I valori sono rilevati per singole sezioni, ognuna da 10 metri.

#### 4. WATTS / CALORIES (WATT / CALORIE)

La schermata visualizza alternativamente i due valori. Il carico è espresso in watt. Il consumo energetico durante l'allenamento viene visualizzato in kcal. Per la conversione in Joule, utilizzare la formula: 1 Kcal = 4,187 kJ. Questa apparecchiatura calcola le calorie bruciate sulla base di valori medi. Tuttavia, visto che ognuno produce energia in maniera diversa (il cosiddetto rendimento) il consumo energetico visualizzato può rappresentare inevitabilmente un'approssimazione delle calorie effettivamente bruciate.

## 5. PULSE (Misura delle pulsazioni)

Le pulsazioni si rilevano grazie al sensore nel manubrio. Il simbolo del cuore lampeggia in sincronia con il battito del polso.

### FUNZIONI

#### 1. MANUAL (MANUALE)

Eeguire l'allenamento utilizzando il livello di resistenza selezionato (1-16). Tale livello può essere modificato durante l'allenamento.

#### 2. PROGRAM (PROGRAMMA)

Selezionare tra 12 programmi di allenamento preimpostati. Dopo avere selezionato un programma, è possibile visualizzare il profilo corrispondente.

#### 3. USER (UTENTE)

Questo programma può essere adattato alle esigenze dell'utente.

#### 4. TARGET HR (PROGRAMMA A PULSAZIONE COSTANTE)

Questo programma consente di allenarsi utilizzando il valore selezionato per il battito cardiaco. L'attrezzo cambia automaticamente la resistenza per adeguarla al valore selezionato per il battito cardiaco.

### USO DEL PANNELLO

Avviare il pannello collegando l'attrezzo a una spina elettrica. Scollegare sempre l'attrezzo dalla spina dopo l'uso.

Ogni volta che il display visualizza il simbolo P, la pressione del tasto RESET (RIPRISTINA) attiva uno stato in cui è possibile selezionare un programma di allenamento utilizzando i tasti +/-.

Selezionare le unità di misura desiderate utilizzando l'interruttore posto sul retro del pannello. È possibile selezionare le unità di misura metriche (km, km/h, Celsius) o anglosassoni (ml, mph, Fahrenheit).

**IMPORTANTE** - Durante il programma MANUAL (MANUALE), è possibile impostare il carico di riferimento: il programma Manual (Manuale) viene sostituito dal programma Watt. Il livello di resistenza viene regolato automaticamente dall'attrezzo, in modo che il carico resti al livello selezionato, indipendentemente dal numero di rotazioni del pedale. Una freccia verso l'alto di fianco all'indicazione dei watt indica che il livello di carico è superiore a quello impostato, mentre una freccia verso il basso indica che il livello di resistenza è inferiore al livello di carico di riferimento. Se viene impostato un livello di carico di riferimento, non è possibile regolare la resistenza utilizzando i tasti +/- durante l'allenamento.

## PROGRAMMA MANUAL (MANUALE)

1. Per selezionare MANUAL (MANUALE), utilizzare i tasti +/-.

2. Confermare la selezione premendo il tasto MODE (MODALITÀ).

3. A) È possibile iniziare l'allenamento senza valori di riferimento.

3. B) Impostare i valori di riferimento.

4. Premere il tasto START/STOP (AVVIA/INTERROMPI) e iniziare l'allenamento. Regolare la resistenza utilizzando i tasti +/-.

5. Per interrompere l'allenamento, premere il tasto START/STOP (AVVIA/INTERROMPI).

## PROGRAM (PROGRAMMA) - PROFILI DI ALLENAMENTO PREIMPOSTATI

3. A) È possibile iniziare l'allenamento senza valori di riferimento. In tal caso, ogni colonna del profilo di programma avrà una durata di 16 rotazioni del pedale.

3. B) Impostare i valori di riferimento. Se viene impostato un intervallo di tempo, la durata di ognuna delle 16 colonne del profilo viene divisa sulla base del tempo selezionato.

**IMPORTANTE** - Per regolare il livello di allenamento è possibile utilizzare i tasti +/-.

## USER (UTENTE)

3. La prima colonna del profilo lampeggia. Impostare un livello appropriato utilizzando i tasti +/-.

4. Confermare la selezione utilizzando il tasto MODE (MODALITÀ): si passa alla colonna successiva. Impostare un livello di resistenza appropriato nel modo sopra descritto. Ripetere questa operazione per ogni colonna del profilo.

5. A) È possibile avviare un allenamento senza valori di riferimento. In tal caso, ogni colonna del profilo avrà una durata di 16 rotazioni del pedale. Per regolare il livello di ogni colonna è possibile utilizzare i tasti +/-.

5. B) Impostare i valori di riferimento. Per immettere i valori di riferimento, premere il tasto MODE per 2 secondi. La durata di ognuna delle 16 colonne del profilo viene divisa sulla base del tempo selezionato.

6. Premere il tasto START/STOP (AVVIA/INTERROMPI) e iniziare l'allenamento. Per regolare il livello di ogni colonna è possibile utilizzare i tasti +/-.

**IMPORTANTE** - Se vengono impostati uno o più valori di riferimento, l'allenamento termina dopo il raggiungimento del primo valore. Per proseguire l'allenamento, è possibile premere START/STOP (AVVIA/INTERROMPI).

**TARGET HR (PROGRAMMA A PULSAZIONE COSTANTE)**

3. AGE lampeggia sul display. Impostare l'età utilizzando i tasti +/-.

4. Confermare l'impostazione premendo il tasto MODE (MODALITÀ).

5. Selezionare il battito cardiaco di riferimento utilizzando i tasti +/- . È possibile selezionare un livello di battito cardiaco al 55%, 75% o 90% del battito cardiaco massimo, oppure selezionare THR, che consente di impostare il livello di battito cardiaco utilizzando i tasti +/- . Sulla schermata Pulse (Pulsazioni), è possibile visualizzare il battito cardiaco corrispondente al livello selezionato.

6. Confermare la selezione premendo il tasto MODE (MODALITÀ).

7. A) È possibile iniziare l'allenamento senza valori di riferimento.

7. B) Impostare i valori di riferimento.

## TRASPORTO ED IMMAGAZZINAGGIO

Cerca di seguire le seguenti istruzioni, per il trasporto e la rimozione dell'attrezzo, perchè un sollevamento avvenuto nella maniera incorretta può provocarti danni alla schiena o può farti incorrere in altri incidenti:

È facile sportare la C20 grazie alle ruote integrate. Impugnate l'attrezzo dal davanti e spingetelo lungo il pavimento sulle ruote. Per prevenire mal funzionamenti lasciate l'attrezzo in un posto non umido e protetto dalla polvere. Lo spostamento dell'attrezzo può danneggiare alcuni tipi di pavimento, come per esempio il parquet. Raccomandiamo quindi di proteggere adeguatamente il pavimento.

Per prevenire eventuali difetti al funzionamento dell'attrezzo, devi conservarla, al riparo dalla polvere, in un posto asciutto, dove la temperatura sia quanto più possibile costante.

## MANUTENZIONE

La C20 richiedono pochissima manutenzione. Comunque, di tanto in tanto, controlla che tutte le viti e i dadi siano stretti a sufficienza.

- Dopo ogni seduta di allenamento, asciugare sempre tutte le parti dell'attrezzo con un panno soffice e assorbente. Non fare uso di solventi.

- Non rimuovere mai l'involucro di protezione dell'attrezzo.

## DISTURBI DURANTE L'USO

**ATTENZIONE!** Nonostante un continuo controllo della qualità, l'attrezzatura potrebbe talvolta presentare difetti e malfunzionamenti, causati da qualche singolo componente. Nella maggior parte dei casi, non c'è bisogno di mettersi a far riparare tutta l'attrezzatura, ma generalmente basta sostituire il pezzo o la parte difettosa.

Se l'attrezzo non funziona bene durante l'uso o se si ha bisogno dei pezzi di ricambio, contatta il tuo rivenditore Tunturi indicando che cosa ti tratta, le condizioni in cui la usi, la data di acquisto, il modello e il numero di serie del tuo attrezzo. Si raccomanda di utilizzare sempre pezzi di ricambio originali.

## DATI TECNICI

Lunghezza .....	154 cm
Altezza .....	153 cm
Larghezza .....	64 cm
Peso .....	58 kg

Il prodotto assolve ai criteri stabiliti dalle direttive EMC dell'Unione Europea, riguardanti la compatibilità elettromagnetica (89/336/CEE) e materiale elettrico destinato all'uso nell'ambito di determinati limiti di tensione (73/23/CEE). Pertanto il prodotto porta l'etichetta CE.

Il prodotto è in conformità con gli standard EN per la precisione e la sicurezza (EN-957).

A causa di una politica volta a un continuo sviluppo del prodotto, la Tunturi si riserva il diritto di effettuare cambiamenti nelle caratteristiche degli attrezzi, senza darne relativo preavviso.

**ATTENZIONE!** La garanzia non copre danni derivanti da inosservanza, nel montaggio, regolazione e manutenzione, delle istruzioni fornite nella presente guida. Le istruzioni per montaggio, uso e manutenzione della tua attrezzatura, devono essere seguite con molta cura. Non rispondiamo di cambi o modifiche non espressamente approvate da Tunturi Oy Ltd.

**Ti auguriamo di avere la gioia di fare tanti allenamenti, insieme al tuo nuovo amico Tunturi!**

## INDICE

MONTAJE.....	38
EJERCICIOS CON TUNTURI .....	40
CONTADOR .....	41
TRANSPORTE Y ALMACENAMIENTO .....	43
MANTENIMIENTO .....	43
DATOS TECNICOS .....	43

## INFORMACION Y PRECAUCIONES

Lea atentamente esta guía antes del montaje, uso o mantenimiento de su equipo de ejercicio. Mantenga esta guía en lugar seguro; le brindará hoy y en el futuro la información que necesite para usar y mantener su equipo. Siga siempre atentamente sus instrucciones. Por favor anótese que la garantía no cubre daños debidos a transportes o negligencias de ajuste o no seguir instrucciones de mantenimiento descritas en este manual.

## OBSERVACIONES SOBRE SU SALUD

- Antes de empezar a hacer cualquier ejercicio, consulte con un médico y hágase un chequeo.
- Si durante el ejercicio experimenta náuseas, mareos u otros síntomas anormales, pare inmediatamente y consulte con un médico.
- Para evitar agujetas y tirones musculares empiece el ejercicio calentando y termínelo poco a poco (pedaleando lentamente a menos resistencia). No olvide hacer ejercicios de estiramiento después de usar la máquina.

## OBSERVACIONES SOBRE EL EJERCICIO

- La máquina no se debe usar a la intemperie.
- Coloque la máquina sobre una

superficie dura y horizontal.

- Compruebe si el lugar donde hace el ejercicio tiene buena ventilación. Para evitar resfriados, evite las corrientes en el lugar del ejercicio.

- En entrenamiento, la máquina tolera una temperatura ambiente de entre +10°C y +35°C. La máquina también puede almacenarse a temperaturas de 15°C a +40°C. La humedad relativa ambiente nunca debe exceder el 90 %.

## OBSERVACIONES SOBRE LA MÁQUINA

- Es una buena idea colocar la máquina sobre una base protectora.
- Si se deja a los niños usar la máquina, primero se los debe enseñar a usarla bien y después se les debe vigilar, teniendo en cuenta el desarrollo físico y mental del niño y su personalidad.
- Antes de empezar a usar la máquina, compruebe si todos sus mecanismos funcionan bien. No use la máquina si observa alguna anomalía.
- Esta máquina sólo debe ser utilizada por una persona cada vez.
- Agarre el manillar al subir o bajar de la máquina. No se ponga de pie sobre la estructura.
- Cuando haga ejercicio, lleve ropa y calzado adecuados.
- No se apoye nunca sobre el contador de usuario.
- Pulse las teclas con la punta del dedo, las uñas pueden dañar la membrana de las teclas.
- Mantenga las manos alejadas de las partes móviles de la máquina.
- Proteja el contador de la luz solar. Seque siempre la superficie del contador si caen unas gotas de transpiración sobre el contador.
- No intente hacer revisiones o ajustes de la máquina que no estén descritos en este Manual.

- El peso máximo de un usuario de esta máquina es de 135 kg.
- El equipo ha sido diseñado para un uso en casa. La garantía Tunturi se aplica sólo a defectos o malfuncionamiento en un uso en casa (24 meses). Encontrará información más detallada sobre la garantía de su equipo de ejercicio en el libro de garantía suministrado con el equipo.

### BIENVENIDO AL MUNDO TUNTURI DEL EJERCICIO

Su elección demuestra que Ud. realmente está dispuesto a invertir en su bienestar y en su condición física, y asimismo sabe apreciar la calidad y el estilo. Con el equipamiento de ejercicio Tunturi, Ud. ha elegido como compañero de entrenamiento un producto de alta calidad, seguro y motivador. Cualquiera sea su meta, puede estar seguro de que este equipo le acompañará hasta cumplirla. Encontrará información sobre el uso de su equipo de ejercicios y todo lo inherente a un entrenamiento eficiente en el sitio de Tunturi en Internet (WWW.TUNTURI.COM).

### MONTAJE

Para el montaje son necesarias dos personas. Compruebe si en el embalaje están todas las piezas:

1. Armazón
2. Soporte delantero de apoyo
3. Soporte trasero de apoyo
4. Tubo central del armazón
5. Reposabrazos (2)
6. Reposapiés (2)
7. Contador
8. Barra de apoyo
9. Barra metálica
10. Cable de conexión
11. Piezas de montaje (señalados con un asterisco (\*) en la lista de repuestos): se recomienda guardar las piezas de kit, por ejemplo, para eventuales reajustes del equipo

Si advierte que en la entrega falta alguna pieza, tome contacto con su proveedor informando el modelo, el número de serie del equipo y el número de parte de la pieza faltante. En el reverso de esta guía encontrará la lista de piezas. El paquete incluye un saco de silicato para absorber la humedad durante el almacenamiento y transporte. Puede desecharlo una vez que haya abierto el paquete. Las direcciones derecha, izquierda, adelante y atrás se definen desde la posición de ejercicio. Deje unos 100 cm de espacio detrás, delante y a cada lado de la máquina.

### SOPORTE TRASERO DE APOYO

Instale los protectores de plástico en los dos extremos del soporte trasero de apoyo y coloque éste en el armazón con dos tornillos, arandelas y arandelas de cierre.



### SOPORTE DELANTERO DE APOYO

Ajuste el soporte delantero de apoyo equipado con las ruedas de transporte en el armazón con dos tornillos, arandelas y arandelas de cierre.



### REPOSAPIES

Coloque los reposapiés en el lugar deseado del pedal con dos tornillos, dos arandelas / tornillo y tuercas de fijación.



### TUBO DELANTERO

Quite la cinta de goma del cable del contador que sale del tubo de armazón.

Ajuste el cable del contador del tubo de armazón al conector del tubo delantero. Introduzca el tubo delantero dentro del tubo de armazón sin dañar en absoluto el cable de contador. Apriete totalmente las arandelas y los tornillos del tubo delantero.



**REPOSABRAZOS**

Introduzca la barra metálica en el cojinete del reposabrazos izquierdo e instale éste último cerca del agujero de fijación del tubo delantero e introduzca la barra, también, dentro del agujero del eje. Luego, introduzca el reposabrazos derecho en el extremo de la barra metálica y bloquee la barra colocando en el extremo del cojinete del reposabrazos derecho una arandela grande, una arandela de cierre y un tornillo de fijación.

Apriete el reposabrazos con dos llaves de seis. Empuje la palanca pedal hacia delante hasta que se pueda introducir el tubo de fijación (situado en la parte delantera de la palanca) dentro del reposabrazos. Coloque el reposabrazos en relación con el reposapie ajustándolo con un tornillo regulador. Repita la operación con el reposabrazos derecho.



**BARRA DE APOYO**

Ajuste el manillar al tubo delantero con 4 arandelas y 2 tornillos. Haga pasar los cables del pulso de la mano a través del orificio central del tubo delantero. Apriete los tornillos fuertemente para

que el manillar no se mueva durante la realización del ejercicio. Tenga cuidado de no dañar los cables.



**CONTADOR**

Introduzca el contador en la cabeza del tubo delantero y afiance el contador en su lugar con los 4 tornillos de ajuste. Acople los cables al conector del contador.



Quite la tapa de las pilas que hay detrás del contador. Ponga dos pilas de 1,5 voltios y vuelva a poner la tapa. Introduzca el contador en la cabeza del tubo delantero y afiance el contador en su lugar con los 4 tornillos de ajuste. Acople los cables al conector del contador.

**TRANSFORMADOR**

Conecte primero la clavija de enchufe pequeña en la toma en la caja del aparato. A continuación, conecte el transformador en una toma de corriente de 230 Volt. El aparato ya está listo para el entrenamiento.

**Indicaciones de seguridad para aparatos con conexión eléctrica**

No utilice su aparato doméstico de entrenamiento cuando el cable o el aparato presenten daños.

Aparte el cable de corriente de cuerpos calientes.

No utilice su aparato de entrenamiento en el exterior o en ambientes húmedos.

No pase el cable de corriente por debajo de una alfombra y no coloque ningún objeto sobre el cable.

Desconecte la clavija de enchufe de la toma de corriente, antes de transportar el aparato, si fuese preciso, realice un mantenimiento o abra la caja.

El cable entre el transformador y el aparato no puede modificarse (p.ej., prolongarse).

## EJERCICIOS CON TUNTURI

Si el dispositivo no ofrece estabilidad, ajuste los tornillos de sujeción situados debajo del soporte posterior.

Si cree que hay holgura en los tubos del pedal, apriete las tuercas del eje del extremo frontal de los brazos del pedal hasta que desaparezca la holgura.

## AJUSTE DE LA RESISTENCIA

Puede aumentar o disminuir la intensidad del ejercicio mediante las teclas +/-: aumente la resistencia / ritmo cardíaco presionando la tecla +, reduzca la resistencia / ritmo cardíaco presionando la tecla -.

## NIVEL DE EJERCICIO

El ejercicio con la bicicleta estática es un excelente ejercicio aeróbico, siempre que se elija una resistencia no muy alta pero se mantenga durante bastante tiempo. El ejercicio aeróbico consiste en aumentar al máximo el suministro de oxígeno al cuerpo, lo que mejora el estado físico y la resistencia. La capacidad del cuerpo para quemar grasas depende directamente de su capacidad de oxigenación. El ejercicio aeróbico debe ser sobre todo agradable. Puede usted sudar, pero no debe asfixiarse. Por ejemplo, mientras pedalea debe usted poder hablar sin llegar nunca a jadear. Para conseguir un nivel básico de forma debe hacer ejercicio como mínimo tres veces por semana, 30 minutos cada vez. Mantener ese nivel básico requiere varias sesiones de ejercicio a la semana. Una vez alcanzado, es fácil mejorarlo sin más que aumentar las sesiones semanales.

El ejercicio siempre es bueno para perder peso, pues es la única manera de aumentar la energía consumida por el cuerpo. Por eso siempre vale la pena combinar el ejercicio periódico con una

dieta sana. Una persona que quiera perder peso debe hacer ejercicio todos los días (al principio unos 30 minutos o algo menos, pero aumentando poco a poco la duración hasta llegar a una hora diaria). Empiece cada día pedaleando despacio y con baja resistencia, pues una persona con exceso de peso que haga ejercicio violento puede someter su sistema cardiovascular a un esfuerzo excesivo. A medida que vaya mejorando su estado de forma puede ir aumentando poco a poco la resistencia y velocidad de la pedalada. Para medir la eficacia del ejercicio, controle su pulso. El contador de pulso le permite vigilar continuamente el pulso durante el ejercicio para saber si es suficientemente eficaz pero soportable. Sea cual sea su objetivo, obtendrá los mejores resultados entrenando a un nivel de esfuerzo adecuado, para lo cual el mejor indicador es su propio ritmo cardíaco.

## MEDICIÓN DE LOS PULSOS CON LOS SENSORES MANUALES

El equipo mide los pulsos con los sensores situados en los soportes manuales, que miden los pulsos cada vez que el usuario toca ambos sensores simultáneamente. Para obtener una medición fiable de los pulsos, la piel debe estar constantemente en contacto con los sensores y la piel que está en contacto con los sensores debe estar ligeramente humedecida. Si la piel está demasiado seca o demasiado húmeda, resultará difícil realizar la medición manual de los pulsos. Asimismo, el uso activo de los músculos de la parte superior del cuerpo durante el ejercicio puede interferir en la medición manual de los pulsos: los músculos activos transmiten una señales electrónicas similares a las de los músculos del corazón. Por tanto, se recomienda mantener los brazos relajados durante la medición de los pulsos.

Determine primero su ritmo cardíaco máximo, es decir, el ritmo que ya no aumenta al incrementarse el esfuerzo. Si Ud. no conoce su ritmo cardíaco máximo, use como guía la siguiente fórmula:

### 220 – EDAD

El máximo varía según las personas. El ritmo cardíaco máximo disminuye en promedio un punto por año. Si Ud. pertenece a alguno grupo de riesgo, solicite a un médico que le mida su ritmo cardíaco máximo. Hemos definido tres zonas diferentes de ritmo cardíaco para ayudarle en su entrenamiento dirigido.

PRINCIPIANTE • 50-60 % del ritmo cardíaco máximo

También recomendable para “vigilantes de peso”, convalecientes y personas que no hayan hecho ejercicio físico durante largo tiempo. Se



recomiendan tres sesiones semanales de por lo menos media hora cada una. El ejercicio regular mejora considerablemente las funciones respiratorias y circulatorias de los principiantes, quienes rápidamente sentirán el progreso.

**ENTRENAMIENTO** • 60-70 % del ritmo cardíaco máximo

Perfecto para una ejercitación de progreso y mantenimiento. Un esfuerzo regular y razonable desarrolla efectivamente el corazón y los pulmones entrenando un mínimo de 30 minutos al menos tres veces por semana. Para mejorar aún más su condición, aumente o la frecuencia o el esfuerzo, pero no ambos al mismo tiempo.

**ENTRENAMIENTO ACTIVO** • 70-80 % del ritmo cardíaco máximo

El ejercicio de este nivel es adecuado sólo para quienes están en óptimo estado, y presupone trabajos de alto rendimiento.

## CONTADOR



El contador se conecta automáticamente en cuanto se enchufa el ergómetro a la corriente. Si no pulsa ninguna tecla ni toca el pedal durante más de 4 minutos, el contador se desconecta automáticamente. Desenchufe siempre el aparato de ejercicio de la corriente y quite el cable del aparato inmediatamente después de usarlo.

Puede seleccionar el programa sólo en el modo de "Paro" (cuando no se entrena), entonces se puede ver en la pantalla el símbolo "P". Pulse la tecla

RESET y seleccione el programa con las teclas + / -.

Las funciones se activan automáticamente al comenzar la sesión de entrenamiento. Para pasar de una función a otra, pulse la tecla MODE. El contador reacciona ante los impulsos tras un par de segundos (las mediciones del ritmo cardíaco comenzarán con una demora de unos 10 segundos).

**IMPORTANTE** Cuando se utiliza el control de ritmo cardíaco, la resistencia se ajusta en ciclos de 30 segundos en sentido ascendente y en ciclos de 15 segundos en sentido descendente.

**IMPORTANTE** El contador sólo le pedirá que introduzca su edad si se apaga el equipo. Si no se apaga, la edad que haya introducido permanecerá en la memoria del contador.

## TECLAS

### START / STOP

Inicia, detiene o finaliza la sesión de entrenamiento. Si pulsa esta tecla durante la sesión de entrenamiento, ésta se detendrá. Si pulsa de nuevo este botón la sesión continuará.

### MODE (MODO)

Pasa de un valor objetivo a otro.

### RESET (PUESTA A CERO)

Para poner a cero la función seleccionada, pulse la tecla brevemente. Para poner a cero todas las funciones del contador, mantenga pulsada la tecla.

+ / -

Seleccionan los programas. Establecen los valores objetivo. Mantenga pulsada la tecla para incrementar la velocidad a la que cambian los valores.

## FUNCIONES

### 1. RPM / SPEED (Velocidad)

Durante el entrenamiento aparecerán alternativamente las revoluciones por minuto y la velocidad en Km/h.

### 2. TIME (Medición del tiempo)

Se indicará el tiempo que ha transcurrido desde el comienzo del entrenamiento o el tiempo de entrenamiento que falta. Los dos puntos (:) parpadean una vez por segundo cuando se está midiendo el tiempo de entrenamiento. Cuando llega a "00:00" suena una señal acústica.

### 3. DISTANCE (Distancia)

Muestra la distancia que hemos recorrido durante el entrenamiento o la distancia que queda por recorrer. Los valores se miden en ciclos de 10 metros.

#### 4. WATTS / CALORIES (Esfuerzo / Calorías)

La función mostrará estos valores de forma alternativa. Esfuerzo en vatios. El consumo de energía durante el entrenamiento se indica en Kcal. Para la conversión a julios hay que emplear la fórmula  $1 \text{ Kcal} = 4.187 \text{ Kj}$ . En este aparato el consumo de energía se calcula con valores de promedio. Debido a que cada uno tiene capacidades diferentes para la producción de energía (lo que se conoce como rendimiento), el consumo de energía que se muestra puede ser necesariamente una aproximación al consumo real.

#### 5. PULSE (Medición del pulso)

Las pulsaciones se averiguan mediante los sensores manuales. El símbolo del corazón comienza a parpadear en sincronía con las pulsaciones.

### FUNCIONES

#### 1. MANUAL

Utiliza el nivel de resistencia seleccionado por el usuario (1-16). Permite modificar el nivel de resistencia durante la sesión de entrenamiento.

#### 2. PROGRAM

Permite seleccionar de entre 12 programas de entrenamiento predefinidos. Después de seleccionar un programa puede ver su perfil.

#### 3. USER

Este programa puede modificarse según sus necesidades.

#### 4. FUNCION TARGET HR (PULSO PROGRAMADO)

Este programa permite entrenar utilizando el nivel de ritmo cardíaco seleccionado. El equipo cambiará automáticamente la resistencia para hacerla corresponder con el nivel de ritmo cardíaco seleccionado.

### USO DEL CONTADOR

El contador se pone en marcha al conectar el equipo a una fuente de alimentación. Después de utilizar el equipo, asegúrese de desconectarlo de la fuente de alimentación.

Cuando la pantalla muestre el símbolo P, pulse la tecla RESET para acceder a un modo que le permita seleccionar un programa de entrenamiento mediante las teclas +/-.

Seleccione las unidades que desea ver mediante el interruptor situado en la parte trasera de la caja del contador. Puede seleccionar unidades del sistema métrico (km, km/h, Celsius) o imperial (ml, mph, Fahrenheit).

**IMPORTANTE** Mientras esté en el programa MANUAL podrá programar el valor de esfuerzo

deseado. Al hacerlo, el programa Manual cambiará a un programa de esfuerzo programado. El equipo ajustará el nivel de resistencia automáticamente, de manera que el nivel de esfuerzo se mantenga en el mismo nivel independientemente del número de rotaciones del pedal. Una flecha hacia arriba junto a la lectura de vatios significa que el nivel de esfuerzo es mayor que el nivel de esfuerzo programado. Una flecha hacia abajo significa que su nivel de resistencia está por debajo del nivel de esfuerzo programado. Si ha programado un nivel de esfuerzo, no podrá ajustar la resistencia mediante las teclas +/- durante la sesión de entrenamiento.

### PROGRAMA MANUAL

1. Seleccione MANUAL mediante las teclas +/-

2. Confirme la selección pulsando la tecla MODE.

3. A) Puede comenzar su entrenamiento sin valores objetivo.

3. B) Puede establecer valores objetivo.

4. Para iniciar la sesión de entrenamiento, pulse la tecla START/STOP. Ajuste la resistencia mediante las teclas +/-.

5. Puede detener la sesión de entrenamiento mediante la tecla START/STOP.

### PROGRAM (PERFILES DE ENTRENAMIENTO PROGRAMADOS)

3. A) Puede comenzar su entrenamiento sin valores objetivo. En este caso, cada barra en el perfil del programa tendrá una duración de 16 rotaciones del pedal.

3. B) Puede establecer valores objetivo. Si establece un tiempo, la duración de cada una de las barras del perfil se dividirá según el tiempo seleccionado.

**IMPORTANTE** Puede ajustar el nivel de entrenamiento mediante las teclas +/-.

### USER

3. La primera barra del perfil parpadea. Mediante las teclas +/- puede establecer el nivel adecuado.

4. Confirme la selección pulsando la tecla MODE. Aparecerá en el siguiente valor. Establezca un nivel adecuado de resistencia de la misma forma. Repita esta operación con cada barra del perfil.

5. A) Puede realizar una sesión de entrenamiento sin valores objetivo. En este caso, cada barra en el perfil del programa tendrá una duración de 16 rotaciones del pedal. Puede ajustar el nivel de cada barra mediante las teclas +/-.

5. B) Puede establecer valores objetivo. Pulse la

tecla MODE durante 2 segundos para introducir los valores objetivo. La duración de cada una de las barras del perfil se dividirá según el tiempo seleccionado.

6. Para iniciar la sesión de entrenamiento, pulse la tecla START/STOP. Puede ajustar el nivel de cada barra mediante las teclas +/-.

**IMPORTANTE** Si establece uno o varios valores objetivo, la sesión de entrenamiento concluirá una vez alcanzado el primer valor objetivo. Puede continuar con la sesión pulsando la tecla START/STOP.

**FUNCION TARGET HR (PULSO PROGRAMADO)**

3. AGE parpadea en la pantalla. Introduzca su edad mediante las teclas +/-.

4. Confirme el valor pulsando la tecla MODE.

5. Seleccione el ritmo cardíaco objetivo mediante las teclas +/- . Puede seleccionar un ritmo cardíaco en un porcentaje de 55%, 75% o 90% de su ritmo cardíaco máximo, o bien establecer el nivel del ritmo cardíaco mediante las teclas +/- . En la función Pulse podrá ver qué ritmos cardíacos corresponden con el porcentaje seleccionado.

6. Confirme la selección pulsando la tecla MODE.

7. A) Puede comenzar su entrenamiento sin valores objetivo.

7. B) Puede establecer valores objetivo.

**TRANSPORTE Y ALMACENAMIENTO**

Siga estas instrucciones al trasladar y mover la máquina, ya que levantarla incorrectamente puede forzarle la espalda u otros accidentes:

Incline la máquina hasta que quede apoyada únicamente en las ruedas del soporte. Para dejarla de nuevo, bájela manteniéndose siempre detrás del sillín. Al desplazar el aparato se pueden producir daños en algunos suelos, por ejemplo, en el parquet. Por esta razón el suelo deberá protegerse. Para evitar malfuncionamientos de la máquina, guárdela en sitio seco con la menor variación de temperatura posible y protegida del polvo.

**MANTENIMIENTO**

Los equipos Tunturi requieren muy poco mantenimiento. Verifique sin embargo de tiempo en tiempo que todos los tornillos y tuercas estén ajustados.

- Después de ejercitar, seque siempre todas las piezas del equipo con un paño suave, absorbente.

No use disolventes.

- Nunca quite la carcasa protectora del equipo.

**DEFECTOS DE FUNCIONAMIENTO**

Pese al continuo control de calidad que realizamos, el equipo puede presentar defectos o malfuncionamientos debidos a fallos en componentes individuales. En la mayoría de los casos no es necesario llevar todo el equipo a reparar, y generalmente es suficiente con reemplazar la parte defectuosa.

En el caso que se produzcan funciones anormales, póngase en contacto con el distribuidor del equipo. En el reverso de esta guía encontrará la lista de piezas. Utilice sólo piezas de repuesto mencionadas en la lista de piezas de repuesto.

**DATOS TECNICOS**

Largo .....	154 cm
Ancho .....	64 cm
Alto .....	153 cm
Peso .....	58 kg

Este producto cumple los requerimientos de las directivas EMC de la UE sobre compatibilidad electromagnética (89/336/EEC) y equipo eléctrico diseñado para su uso dentro de ciertos límites de tensión (73/23/EEC). Por lo tanto, este producto ostenta la etiqueta CE.

Este producto cumple los standards EN de precisión y seguridad (EN-957).

Debido a su política de continuo desarrollo de productos, Tunturi se reserva el derecho de cambiar las especificaciones sin previo aviso.

NOTA: La garantía no cubre daños debidos a negligencias en los procedimientos de montaje, ajuste y mantenimiento descritos en esta guía. Deben seguirse estrictamente estas instrucciones en el montaje, uso y mantenimiento de su equipo. Cambios o modificaciones no expresamente aprobados por Tunturi Oy Ltd no están autorizados a los usuarios.

**Le deseamos muchas agradables sesiones de entrenamiento con su nuevo compañero de entrenamiento Tunturi.**

## INNEHÅLL

MONTERING.....	45
ATT TRÄNA MED TUNTURI .....	46
MÄTAREN .....	47
TRANSPORT OCH FÖRVARING .....	49
UNDERHÅLL.....	49
TEKNISKA DATA.....	49

## BRUKSANVISNING

Läs noga igenom denna handbok innan du monterar upp, använder eller reparerar ditt nya träningsredskap. Spara denna handbok; den innehåller information som du behöver nu och i framtiden för att använda och underhålla ditt redskap. Följ alltid dessa instruktioner noggrant. Observera att garantin inte täcker skador uppkomna genom försumlighet av inställningen och justeringar eller underlåtenhet att följa givna anvisningarna.

## BEAKTANSVÄRT RÖRANDE HÄLSAN

- Konsultera din läkare innan du inleder ditt träningsprogram.
- Om du känner dig illamående, får svindel eller uppvisar andra onormala symtom under träningen, skall du omedelbart avbryta träningen och vända dig till din läkare.
- Värm upp före varje träningspass (långsam trampning med lågt motstånd) och avsluta med avslappningsövningar och muskelsträckningar för att undvika träningsvärk.

## BEAKTANSVÄRT RÖRANDE TRÄNINGSMILJÖN

- Redskapet får inte användas utomhus.
- Placera redskapet på ett så plant underlag som möjligt.
- Kontrollera att träningslokalen har en god ventilation. Undvik dock träning i dragiga lokaler, eftersom det kan leda till förkylning.
- Redskapet tål vid träning en omgivning från +10°C till +35°C. Redskapet kan

lagras vid temperaturer mellan -15°C och +40°C. Luftfuktigheten i tränings- eller upplagringsomgivningen får aldrig överskrida 90 %.

## BEAKTANSVÄRT RÖRANDE REDSKAPETS ANVÄNDNING

- Skydda mätaren mot solljus och torka alltid ytan av ytan på mätaren om du ser svett droppar på den.
- Föräldrar och andra personer som har ansvar för barn skall beakta, att barnens naturliga lekbehov och experimentlust kan leda till situationer, för vilka redskapet inte är avsett. Om barn får använda redskapet, måste föräldrarna eller andra ansvariga personer beakta barnens psykiska och fysiska utveckling och framför allt barnens natur. Barn skall erhålla handledning i redskapets användning.
- Kontrollera att redskapet är i skick innan du inleder träningen. Använd aldrig ett redskap som är sönder.
- Luta dig aldrig mot mätaren.
- Tryck på tangenterna med fingertopparna; naglar kan skada tangentmembranet.
- Använd aldrig redskapet, när sidokåporna inte är på plats.
- För undvikande av skador rekommenderas att redskapet placeras på ett skyddat underlag.
- Redskapet får endast användas av en person åt gången.
- Håll i styret vid på- och avstigning.
- Använd lämpliga kläder och skor när du tränar.
- Utför endast de service- och justeringsåtgärder som beskrivs i denna bruksanvisning. Givna anvisningar bör följas.
- Redskapet får inte användas av personer som väger över 135 kg.
- Redskapet är avsett för träning i hemmet! Tunturi Ltd:s garanti gäller fel eller brister som uppkommer vid användning i hemmet (24 månader).

## VÄLKOMMEN TILL TUNTURIS TRÄNINGSVÄRLD!

Ditt val visar att du verkligen vill investera i din kondition och ditt välbefinnande; det visar också att du verkligen värdesätter hög kvalitet och stil. Med ett träningsredskap från Tunturi har du valt en säker och motiverande produkt av hög kvalitet till träningspartner. Oberoende av vilken målsättning du har, är vi säkra på att det här är den rätta utrustningen för att du skall nå ditt mål. Du kan hitta information om hur du ska använda ditt träningsredskap och hur man tränar effektivt på Tunturis webbplats på adressen [WWW.TUNTURI.COM](http://WWW.TUNTURI.COM).

### MONTERING

För montering behövs två personer. Börja med att packa upp och kolla att du har följande delar:

1. Ram
2. Främre stöd
3. Bakre stöd
4. Ramstolpe
5. Handtag (2 st.)
6. Fotplattor (2 st.)
7. Mätare
8. Handstöd
9. Metallstång
10. Nätsladd
11. Påse med installationstillbehör (innehållet har märkts ut med \* i reservdelsförteckningen): spara tillbehören, för du kan behöva dem bl.a. till att göra inställningar på redskapet

Det finns en reservdelsförteckning i slutet av denna bruksanvisning. Om du märker ett problem, kontakta din handlare och uppge alltid modell och serienummer. I förpackningen finns det även en silikatpåse som absorberar fukt under lagring och transport. Släng påsen när du packat upp redskapet. Riktningarna vänster, höger, fram och bak används så som man uppfattar dem när man sitter i träningsställning. Placera redskapet så att du har ett fritt utrymme på minst 100 cm framför, bakom och på båda sidorna.

### BAKRE STÖDET

Tryck fast plastskydden i ändorna på det bakre stödet och fäst stödet vid ramen med två skruvar, brickor och låsbrickor.



### FRÄMRE STÖDET

Fäst det främre stödet med transporthjulen vid ramen med två skruvar, brickor och låsbrickor.



### PEDALERNA

Fäst pedalerna på önskat ställe på pedalarmen med två skruvar, två brickor per skruv och en fästmutter.



### RAMSTOLPEN

Ta bort gummibandsfästet på mätarledningen som kommer ur ramröret.

Koppla mätarledningen från ramröret till kontakten i ramstolpen. För in ramstolpen i ramröret: var noga med att inte skada mätarledningen! Fäst stolpen med fyra bricka, låsningsbrickor och fästsruvar. Dra åt hårt.



### HANDTAG

För metallstången genom lagerhuset för det vänstra handtaget, placera handtaget bredvid fästhållet på stolpen och för stängen även genom axelhålet. Tryck därefter fast det högra handtaget i ändan på metallstången och lås stängen genom att fästa en stor bricka, en låsbricka och en fästsruv i ändan på lagerhus. Dra åt handtagen med två sexkantshålskruvar.

För den vänstra pedalarmen framåt, så att du kan föra in fäströret i den främre ändan av pedalarmen i handtaget. Fäst handtaget vid fotpedalen med en skruv. Gör samma sak med det högra handtaget.



#### HANDSTÖDET

Fästa handstödsröret på det främre stomröret. Skjut handpulsablarna genom hålet på främre stomröret mot mätaren. Fästa skruvarna så tätt att handstödet inte kan röra sig under träningen. Akta för att inte skada kablarna!



#### MÄTAREN

Skjut mätaren in i ändan av främre stomröret och fästa mätaren på sin plats med fyra fästskruvar. Förbinda kablarna med mätarens anslutningar.



#### TRANSFORMATOR

Sätt först i den lilla anslutaren i behållaren på enhetens hölje. Anslut därefter omkopplaren till ett strömtag med 230 volt. Enheten är nu klar att användas.

#### Säkerhetsnotis för enheter med elektrisk strömtilförsel

Använd inte din träningsenhet för hembruk om det finns någon skada på strömsladden eller på enheten.

Håll strömsladden borta från heta föremål.

Använd inte din träningsenhet utomhus eller på fuktiga områden.

Dra inte strömsladden under en matta och placera inte några föremål på sladden.

Koppla ifrån pluggen från strömtaget innan du flyttar enheten, utför allt behövligt underhåll eller öppna höljet.

Ändra inte (till exempel, förläng) sladden mellan omvandlaren och enheten.

#### ATT TRÄNA MED TUNTURI

Om enheten inte är stabil kan du justera skruvarna under det bakre stödbenet.

Om pedalarören glappar kan du skruva åt axelmutterarna på pedalfästena.

#### JUSTERING AV TRÄNINGSMOTSTÅNDET

Intensiteten ökas genom att trycka på + -knappen; medan pulsen minskar genom att trycka på - -knappen.

#### TRÄNINGSNIVA

Träning med en crosstrainer är en utmärkt aerobisk motion. Grundidén är att motionen skall vara förhållandevis lätt, men räckta länge. Aerobisk motion bygger på en förbättring av den maximala syreupptagningsförmågan, som i sin tur förbättrar uthålligheten och konditionen. Kroppens förmåga att använda fett som bränsle är direkt beroende av dess förmåga att transportera syre. Aerobisk motion är framför allt angenäm. Du skall bli svettig, men du får inte bli andfädd. När du trampar skall du kunna prata, och inte bara flåsa. Du borde motionera minst tre gånger i veckan à 30 minuter. Detta ger dig en god baskondition.

För att du skall kunna upprätthålla baskonditionen bör du motionera minst ett par gånger i veckan. När du har uppnått din baskondition, kan den lätt förbättras genom att du ökar antalet träningspass. Motion är alltid bra för den som vill gå ner i vikt, eftersom det är det enda sättet att öka kroppens energiförbrukning. Speciellt för personer som bantar lönar det sig därför att kombinera kalorifattig kost med regelbunden motion.

Den som bantar bör motionera dagligen. Först cirka 30 minuter eller ännu kortare perioder per gång och sedan småningom längre perioder upp till en timme per dag. Det lönar sig att börja långsamt med låg tramphastighet och litet motstånd. En alltför hög belastning kan hos överviktiga personer belasta hjärtat och blodcirkulationen för mycket. I takt med att konditionen förbättras, kan du småningom öka motståndet och tramphastigheten. Effekten kan du kontrollera med hjälp av pulsen. Tack vare C20:s pulsmätare kan du lätt följa med pulsfrekvensen under träningen och säkerställa att träningen är tillräckligt effektiv och att belastningen inte är alltför stor.

## PULS

Oberoende av vilken din målsättning är när du bästa resultat genom att träna på rätt ansträngningsnivå och det bästa måttet på det är din puls.

## PULSMÄTNING MED HANDSENSORER

Redskapet mäter pulsen med sensorer i handstöden som mäter pulsen varje gång användaren rör vid båda sensorerna samtidigt. För att pulsmätningen ska bli så korrekt som möjligt måste huden vara i kontakt med sensorerna hela tiden och vara något fuktig. Om huden är för torr eller för fuktig blir pulsmätningen mindre korrekt. Observera även att om du rör på överkroppen mycket under träningen kan detta påverka pulsmätningen: aktiva muskler sänder ut elektroniska signaler av samma typ som hjärtmuskeln. Vi rekommenderar därför att du håller armarna så avslappnade som möjligt under pulsmätningen.

Ta först reda på din maximipuls, dvs. på vilken nivå pulsen inte längre stiger trots att ansträngningen höjs. Om du inte känner till din maximipuls, kan du använda följande formler som riktgivare:

### 220 – ÅLDERN

Maximipulsen varierar från person till person. Maximipulsen går i medeltal ner med en enhet per år. Om du hör till någon riskgrupp, be en läkare mäta din maximipuls åt dig.

Vi har definierat tre olika pulsområden för att hjälpa dig när du sätter upp mål för träningen:

**NYBÖRJARE** • 50-60 % av maximipulsen

Denna nivå lämpar sig också för viktväktare, rehabiliteringspatienter och personer som inte

har tränat på länge. Tre träningspass i veckan på minst en halvtimme var rekommenderas. Regelbunden träning förbättrar andnings- och cirkulationskapaciteten hos nybörjare betydligt och du kommer snabbt att märka förbättringen.

**MOTIONÄR** • 60-70 % av maximipulsen

Denna nivå är perfekt för att förbättra och upprätthålla konditionen. Även en måttlig ansträngning utvecklar hjärtat och lungorna effektivt, om du tränar i minst 30 minuter åtminstone tre gånger i veckan. För att ytterligare förbättra din kondition, höj antingen träningsfrekvensen eller ansträngningen, men inte båda på samma gång!

**AKTIV IDROTTARE** • 70-80 % av maximipulsen

Träning på denna nivå lämpar sig bara för personer med mycket bra kondition och bör föregås av träning för lång uthållighet.

## MÄTAREN



Mätaren kopplas automatiskt på när redskapet ansluts till nätet. Mätaren kopplas automatiskt bort, om du inte tryckt på knapparna eller använt redskapet på 4 minuter. Drag ur stickproppen efter varje träningspass.

Du kan välja träningsprogram endast i stopprogrammet (inte under träningen), när symbolen P är synlig på displayen. Tryck då på RESET och välj programmet med + / - tangenter.

Displayerna aktiveras automatiskt när du startar träningspasset. Tryck på knappen MODE (läge) när du vill växla mellan olika displayer. Mätaren reagerar på alla impulser efter ett par sekunder (pulsmätaren sätts igång efter en fördröjning på ca 10 sekunder).

**VIKTIGT!** När pulsstyrning används justeras motståndet uppåt i 30-sekundszykler och nedåt i 15-sekundszykler.

**VIKTIGT!** Mätaren frågar bara efter ålder när strömmen har stängts av. Normalt sparas den angivna åldern i mätarens minne.

## KNAPPAR

### START/STOP (start/stop)

Starta, pausa och stoppa träningspasset. Om du trycker på knappen under träningspasset görs en paus i träningspasset. Tryck på knappen igen när du vill fortsätta med träningspasset.

### MODE (läge)

Flytta från ett målvärde till ett annat.

### RESET (återställ)

Om du vill återställa vald display trycker du snabbt på knappen. Om du vill återställa alla displayer på mätaren håller du knappen intryckt.

+/-

Välj program. Ställ in målvärden. Håll knappen intryckt om du vill ställa in med vilken hastighet värdena ska ändras.

#### 1. RPM / SPEED (Hastighet)

Under träningen ändras displayen mellan varv per minut och hastigheten i km/h.

#### 2. TIME (Tid)

Displayen visar tiden efter att träningen börjat eller återstående träningstid. Tidseparatorn (:) blinkar varje sekund medan tiden mäts under träningen. När tiden når "00:00", hörs en ljudsignal.

#### 3. DISTANCE (Avstånd)

Displayen visar det avstånd som tillryggalagts under träningen eller det återstående avståndet. Avstånd mäts i intervaller om 10 meter.

#### 4. WATTS/CALORIES (watt/kalorier)

Displayen växlar mellan värdena. Belastning i watt. Mängden energi som du förbränner under en träning anges i kcal. Du kan använda följande beräkning för att konvertera värdena till joule: 1 kcal = 4.187 kJ. Apparaten använder genomsnittliga värden för att beräkna energikonsumtionen. Varje individ har emellertid varierande kapacitet när det gäller att producera energi (känd som deras effektivitet), varför den energikonsumtion som anges endast skall ses som en ungefärlig uppgift.

#### 5. PULSE (Hjärtrytm)

Du kan mäta din hjärtrytm med hjälp av handensorn. Hjärtsymbolen blinkar i tid med hjärtrytm.

## FUNKTIONER

### 1. MANUAL (manuellt)

Träna med vald motståndsnivå (1-16). Du kan ändra motståndsnivån under träningspasset.

### 2. PROGRAM

Välj mellan 12 förprogrammerade träningsprogram. När du har valt program visas programmets profil.

### 3. USER (användare)

Du kan göra ändringar i programmet så att det passar dina förutsättningar.

### 4. TARGET HR (PROGRAMMET MED KONSTANT PULS)

I det här programmet kan du träna med vald pulsinställning. Motståndet ändras automatiskt så att det motsvarar vald pulsinställning.

## ANVÄNDA MÄTAREN

Starta mätaren genom att ansluta utrustningen till en strömkälla. Koppla alltid ur utrustningen från strömkällan när den inte används.

Om symbolen P visas i displayen kan du trycka på knappen RESET (återställ) och välja träningsprogram med knapparna +/-.

Välj de enheter som ska visas med hjälp av strömbrytaren på mätarhöljets baksida. Du kan välja metriska enheter (km, km/h, Celsius) eller brittiska standardenheter (ml, mph, Fahrenheit).

**VIKTIGT!** I programmet MANUAL (manuellt)

kan du välja målbelastning. Nu ändras det manuella programmet till ett wattprogram. Motståndsnivån justeras automatiskt av utrustningen så att belastningen hålls på vald nivå, oberoende av hur många varv du trampar. En uppåtpil bredvid wattavläsningen betyder att belastningen är högre än målbelastningsnivån. En nedåtpil betyder att motståndsnivån är lägre än målbelastningsnivån. Om du ställer in en målbelastningsnivå kan du inte justera motståndet med knapparna +/- under träningspasset.

### MANUAL PROGRAM (manuellt program)

1. Välj MANUAL (manuellt) med knapparna +/-

2. Bekräfta valet genom att trycka på knappen MODE (läge).

3. A) Du kan börja träna utan målvärden.

3. B) Ställ in målvärden.

4. Tryck på knappen START/STOP (start/stop) och starta träningspasset. Justera motståndet med knapparna +/-.

5. Stoppa träningspasset genom att trycka på knappen START/STOP.

### PROGRAM (FÖRPROGRAMMERADE TRÄNINGSPROFILER)

3. A) Du kan börja träna utan målvärden. I så fall varar alla staplar i programprofilen under 16 trampade varv.

3. B) Ställ in målvärden. Om du ställer in en tid fördelas de 16 staplarna i profilen efter vald tid.



**VIKTIGT!** Du kan reglera träningsnivån med knapparna +/-.

USER (användare)

3. Den första stapeln i profilen blinkar. Ställ in lämplig nivå för den med knapparna +/-.

4. Bekräfta valet genom att trycka på knappen MODE (läge). Nästa stapel visas automatiskt. Ställ in lämplig motståndsnivå för den enligt ovan. Upprepa den för alla staplar i profilen.

5. A) Du kan genomföra ett träningspass utan målvärden. Om så är fallet räcker alla staplar i profilen för 16 trampade varv. Du kan reglera nivån på staplarna med knapparna +/-.

5. B) Ställ in målvärden. Tryck på knappen MODE (läge) i två sekunder för att ange målvärden. Längden på de 16 staplarna i profilen fördelas efter vald tid.

6. Tryck på knappen START/STOP (start/stopp) och starta träningspasset. Du kan reglera nivån på staplarna med knapparna +/-.

**VIKTIGT!** Om du väljer ett eller flera målvärden avslutas träningspasset när det första målvärdet har uppnåtts. Du kan fortsätta träna genom att trycka på START/STOP.

TARGET HR (PROGRAMMET MED KONSTANT PULS)

3. AGE blinkar i displayen. Ställ in din ålder med knapparna +/-.

4. Bekräfta inställningen genom att trycka på knappen MODE (läge).

5. Välj målpulsintervall med knapparna +/- . Du kan välja ett pulsintervall på 55 %, 75 % eller 90 % av maximal puls eller THR så att du kan ställa in målpulsintervallet med knapparna +/- . I pulsdisplayen ser du vilken puls som motsvarar valt pulsintervall.

6. Bekräfta valet genom att trycka på knappen MODE (läge).

7. A) Du kan börja träna utan målvärden.

7. B) Ställ in målvärden.

## TRANSPORT OCH FÖRVARING

Vänligen följ nedanstående instruktioner när du vill flytta på redskapet, eftersom du med fellyft kan sträcka ryggen eller löpa risk för andra skador:

Redskapet är lätt att förflytta tack vare de inbyggda transporttrullarna. Ställ dig på framsidan av redskapet, fatta tag i handtagen och luta det framåt. Redskapet kan nu rullas bort. När man flyttar på redskapet kan vissa golvmaterial ta skada, t.ex. parkettgolv. Underlaget bör i sådana fall skyddas.

För att försäkra sig om att redskapet fungerar felfritt bör man förvara det på ett torrt och dammfritt ställe med så jämn temperatur som möjligt.

## UNDERHÅLL

Redskapet kräver så gott som inget underhåll. Kontrollera dock ibland att alla skruvar och muttrar är åtdragna.

- Vänligen rengör redskapet efter träningen med en mjuk absorberande duk. Använd inga lösningsmedel.

- Ta aldrig bort skyddskåporna på redskapet!

## STÖRNINGAR VID ANVÄNDNING

OBS! Trots kontinuerlig kvalitetskontroll kan fel eller funktionsstörningar som beror på någon enskild komponent förekomma. Därför är det onödigt att hela redskapet skickas på reparation, eftersom det för det mesta räcker med att aktuell komponent byts.

Om ditt redskap fungerar på ett sätt som avviker från det normala, kontakta din försäljare. Uppge alltid redskapets modell och serienummer. Beskriv problemet, hur redskapet använts, och uppge inköpsdagen.

Kontakta din försäljare om du behöver reservdelar. Uppge alltid redskapets modell, serienummer och numret på reservdelar; du hittar en lista på reservdelar i slutet på den här handboken. Till apparaten får endast delar från reservdelslistan användas.

## TEKNISKA DATA

Längd .....	154 cm
Höjd .....	153 cm
Bredd .....	64 cm
Vikt .....	58 kg

Denna produkt uppfyller kraven i EU:s EMC-direktiv gällande elektromagnetisk kompatibilitet (89/336/EEC) och elutrustning som utformats för användning inom vissa gränser för spänningen (73/23/EEC). Därför är denna produkt CE-märkt.

Denna produkt uppfyller EN-standarden för precision och säkerhet (EN-957).

På grund av vår policy för kontinuerlig produktutveckling förbehåller vi, Tunturi, oss rätten till ändringar.

OBS! Garantin gäller inte skador som uppkommit pga. underlåtenhet att iakttä de instruktioner för montering, justering och underhåll som beskrivits här. Instruktionerna måste följas noggrant vid montering, användning och underhåll av redskapet. Redskapet som modifieras eller förändras på ett sätt som inte är godkänt av Tunturi Oy Ltd får inte användas.

**Vi önskar dig mycket nöje i träningen med din nya träningspartner från Tunturi.**

# SISÄLLYSLUETTELO

ASENNUS .....	51
KÄYTTÖ .....	52
MITTARI .....	54
KULJETUS JA SÄILYTYS .....	56
HUOLTO .....	56
KÄYTTÖHÄIRIÖT .....	56
TEKNISET TIEDOT .....	56

## HUOMAUTUKSET JA VAROITUKSET

Tämä ohjekirja on tärkeä osa kuntolaitettasi: perehdy tähän oppaaseen huolellisesti ennen kuin asennat, käytät tai huollat kuntolaitettasi. Sinun on syytä myös säilyttää tämä opas, sillä se on jatkossakin oppaasi niin kuntolaitteesi tehokkaaseen käyttöön kuin huoltoonkin. Muista aina noudattaa tämän oppaan ohjeita. Huomaa, että takuu ei korvaa mitään vahinkoja, jotka ovat aiheutuneet tässä ohjekirjassa mainittujen asennus-, säätö- ja huolto-ohjeiden laiminlyönneistä.

## TERVEYDESTÄSI

- Ennen harjoittelun aloittamista käy varmistuttamassa terveydentilasi lääkärillä.
- Jos harjoittelun aikana tunnet pahoinvointia, huimausta tai muita epänormaaleja oireita, keskeytä harjoittelu välittömästi ja ota yhteys lääkäriin.
- Estääksesi lihasten venähtämisen tai kipeytymisen aloita ja päätä jokainen harjoituskerta verryttelyllä (hidasta poljentaa alhaisella vastuksella). Muista myös venytellä harjoittelun päätteeksi.

## HARJOITTELUYMPÄRISTÖSTÄ

- Laitetta saa käyttää vain sisätiloissa.
- Sijoita laite kovalle ja mahdollisimman tasaiselle alustalle. Aseta laite myös lattiaa suojaavalle alustalle.

- Huolehdi, että harjoitteluympäristö on riittävän hyvin ilmastoitu. Vilustumisen estämiseksi vältä kuitenkin harjoittelua vetoisissa tiloissa.

- Harjoitteluolosuhteissa laite kestää lämpötiloja +10 asteesta +35 asteeseen. Varastoitaessa laite kestää lämpötiloja -15 asteesta +40 asteeseen. Missään tapauksessa ilman kosteus ei saa ylittää 90 %.

## LAITTEEN KÄYTÖSTÄ

- Mikäli lasten annetaan käyttää laitetta, vanhempien tai muiden vastuullisten tulee ottaa huomioon lasten sekä henkinen että fyysinen kehitys ja ennen kaikkea luonne. Lapsia tulee valvoa ja opastaa laitteen oikeassa käytössä. Huolehdi myös, etteivät lemmikkieläimet ole laitteen lähellä laitetta siirrettäessä tai harjoittelun aikana.

- Varmista ennen harjoittelun aloittamista, että laite on kaikin puolin kunnossa. Älä koskaan käytä viallista laitetta.

- Vain yksi henkilö kerrallaan saa harjoitella laitteella.

- Nouse laitteelle ja laitteelta ottaen tukea käsikahvoista.

- Käytä harjoittelun aikana asianmukaisia vaatteita ja kenkiä.

- Älä milloinkaan nojaa laitteen mittariin!

- Paina näppäimiä sormenpäällä; kynnet voivat vaurioittaa näppäinkalvoa.

- Älä käytä laitetta mikäli laitteen suojakotelot eivät ole paikallaan.

- Suojaa mittari auringonvalolta ja kuivaa mittarin pinta aina, mikäli sen päälle on tippunut hikivettä.

- Älä yritä tehdä laitteelle muita kuin tässä ohjekirjassa kuvattuja säätöjä tai huoltotoimenpiteitä.

- Laitteen ehdoton enimmäiskäyttäjäpaino on 135 kg.

- Laite on sallittu kotikäyttöön. Kotikäytössä Tunturi Oy:n myöntämä

takuuaika laitteelle on 24 kuukautta. Tarkempia tietoja kuntolaitteesi takuusta löydät laitteen mukana toimitetusta takuukirjasesta. Pyydämme Sinua rekisteröimään kuntolaitteesi Tunturin Internetkotisivuilla [www.tunturi.com](http://www.tunturi.com) ensi tilassa, mieluiten 14 päivän kuluttua laitteen hankinnasta. Kotikäytössä laitteen rekisteröinti antaa laitteen sähköisille ja muille osille 12 kk lisätakuuajan.

### TERVETULOA TUNTURI-KUNTOILIJOIDEN JOUKKOON!

Valintasi osoittaa, että tahdot todella huolehtia kunnostasi; valintasi osoittaa myös sen, että arvostat korkeaa laatua ja tyylikkyyttä. Tunturi-kuntolaitteen myötä olet valinnut korkealuokkaisen, turvallisen ja motivoivan kuntolaitteen harjoituskumppaniksesi. Olkoon tavoitteesi kuntoilun saralla mikä tahansa, olemme varmoja, että tällä Tunturin kuntolaitteella tulet tavoitteesi saavuttamaan. Lisätietoa Tunturin kuntolaitteista sekä harjoittelusta löydät internetistä Tunturin kotisivuilta [WWW.TUNTURI.COM](http://WWW.TUNTURI.COM).

### ASENNUS

Avaa pakkauslaatikko leikkaamalla kulmat auki ja levitä sivut ja päädyt lattialle. Suosittelemme, että asennukseen osallistuu kaksi henkilöä. Varmista, että pakkaus sisältää seuraavat osat:

1. Runko
2. Etutukijalka
3. Takatukijalka
4. Eturunkoputki
5. Käsikahvat (2 kpl)
6. Jalkalaudat (2 kpl)
7. Mittari
8. Käsituki
9. Akselitanko
10. Asennustarvikesarja (sisältö merkitty \*:lla varaosaluetteloon): säästä asennustarvikkeet, sillä voit tarvita niitä mm. laitteen säätämiseen

Ota tarvittaessa yhteys laitteen myyjään ja ilmoita laitteen malli, sarjanumero sekä puuttuvan osan varaosnumero. Varaosaluettelon löydät käyttöohjeen lopusta. Pakkauksessa on kuljetuksen ja varastoinnin aikana kosteutta imevä silikaattipussi, jolle ei ole enää käyttöä avattuasi pakkauksen. Ohjeessa esiintyvät nimitykset oikea, vasen, etu ja taka on määritelty harjoitteluasennosta katsottuna. Aseta laite siten, että sen ympärillä on joka suuntaan vähintään 100 cm vapaata tilaa.

### TAKATUKIJALKA

Kiinnitä takatukijalka runkoon kahdella pultilla, aluslaatalla ja lukituslaatalla.



### ETUTUKIJALKA

Kiinnitä siirtopyörillä varustettu etutukijalka runkoon kahdella pultilla, aluslaatalla ja lukituslaatalla.



### JALKALAUDAT

Kiinnitä jalkalaudat haluamaasi kohtaan poljinvartta kahdella ruuvilla kahdella aluslaatalla / ruuvi sekä kiristysmutterilla.



### ETUPUTKI

Poista runkoputkesta tulevan mittarijohton kuminauhapidike.

Liitä runkoputkesta tuleva mittarijohto etuputkessa olevaan liittimeen. Työnnä etuputki runkoputken sisään: varo vahingoittamasta mittarijohtoa! Kiinnitä etuputki viidellä aluslaatalla, lukituslaatalla sekä kiinnitysruuvilla tiukkaan.



### KÄSIKAHVAT

Työnnä käsitukien akselitanko vasemman kahvan laakeripesän läpi, aseta kahva etuputken kiinnitysreiän viereen ja työnnä tanko myös akselireiän läpi. Paina tämän jälkeen oikeanpuoleinen kahva metallitangon päähän ja lukitse tanko kiinnittämällä sen molempiin päihin suuri aluslaatta, lukituslaatta sekä kiinnitysruuvi. Kiristä kahvat kahdella kuusiokoloavaimella. Työnnä vasemmanpuoleista poljinvartta eteenpäin siten, että voit työntää poljinvarren etupäässä olevan kiinnityspotken kahvan sisään. Kiinnitä kahva poljinvarteen ruuvilla. Toista toimenpide oikeanpuoleiselle kahvalle.



### KÄSITUKI

Kiinnitä käsituki etuputkeen neljällä aluslaattalla ja kahdella mutterilla. Pujota käsipulssijohdot etuputken ja kiinteän käsituen väliin jäävän tilan kautta kohti mittaria. Kiristä ruuvit niin tiukkaan, ettei käsituki liiku harjoittelun aikana. **TÄRKEÄÄ!** Varo vahingoittamasta johtoja.



### MITTARI

Kiinnitä käsipulssijohdot mittarin taustalla oleviin liittimiin. Kiinnitä päävirtajohto mittarin taustalla olevaan liittimeen. Kiinnitä mittari mittaripidikkeeseen neljällä ruuvilla.



### MUUNTAJA

Kytke muuntaja takajalan yläpuolella olevaan pistokkeeseen. Kytke muuntajan verkkojohto pistorasiaan. Irroita verkkojohto pistorasiasta ja laitteesta aina harjoituksen päätteeksi.

### TÄRKEÄÄ!

Varmista aina, ettei muuntajan johto vahingoitu.

Tarkista, ettei verkkojohto ole laitteen alla.

Muuntajan johtoon ei saa tehdä muutoksia.

### KÄYTTÖ

Mikäli laite ei ole vakaa, säädä takajalan alla olevia säätöruuveja sopivasti.

Mikäli poljinvarsissa tuntuu välystä, kiristä poljinvarsien etupään akselimuttereita, kunnes vällys katoaa.

## VASTUKSENSÄÄTÖ

Voit lisätä tai vähentää vastusta + ja - painikkeilla.

## YLEISTÄ HARJOITTELUSTA

Sinun kannattaa testauttaa kuntosi ja käydä lääkärintarkastuksessa, jos olet yli 40-vuotias, koet fyysisen kuntosi heikoksi, etkä ole kuntoillut pitkään aikaan, jos sinulla on jokin pitkäaikaissairaus tai muita terveydellisiä ongelmia tai jos sinulla on tuki- ja liikuntaelimestön vamma tai näihin liittyviä ongelmia. Henkilöiden, joilla on todettu sydän- ja verenkiertoelimestön sairauksia tai muita riskitekijöitä, kannattaa ehdottomasti mittaauttaa peruskuntonsa ennen kuntoilun aloittamista. Jos haluat kehittää kuntoasi ja edistää terveyttäsi, olisi hyvä kuntoilla vähintään kolme kertaa viikossa. Harjoittelun vaikutukset tuntuvat jo muutaman viikon kuluttua. Jos kuntosi on huono, aloita noin 20 minuutin harjoituksella. Kun kuntosi paranee, pidennä aikaa 30 – 60 minuuttiin tavoitteistasi riippuen.

## OIKEA HARJOITUSTASO

Parhaiten yleiskunnon kohottamiseen soveltuu liikunta, jonka teho on kohtuullinen, ei liian rajua eikä liian löysää. Harjoittelun aikana hien tosin pitää nousta pintaan, silti on kyettävä puhumaan. Tällaista harjoitusta kutsutaan aerobiseksi eli kestävyysliikunnaksi, jonka aikana elimistö tuottaa lihasten tarvitseman energian polttamalla hapen avulla kehon rasvaa, jolloin rasvakudos vähenee. Olipa tavoitteesi harjoittelussa mikä hyvänsä, parhaaseen tulokseen pääset harjoittelemalla oikealla rasiustasolla. Paras rasiustason mittari on oman sydämen syketaajuus. Lähde liikkeelle selvittämällä ensin maksimisykearvosi eli se lyöntimäärä, josta sykkeesi ei enää nouse, vaikka rasius lisääntyisikin. Jos et tiedä omaa maksimisykearvoasi, voit käyttää seuraavaa kaavaa suuntaa antavana:

### 220 – IKÄ

Maksimisyke voi vaihdella yksilöllisesti runsaastikin. Maksimisyke putoaa keskimäärin yhden sykkeen vuodessa. Varsinkin siinä tapauksessa, että kuulut johonkin mainituista riskiryhmistä, kannattaa sinun ehdottomasti varmistaa maksimisykkeesi lääkärin avustuksella. Olemme määritelleet kolme eri sykealuetta, joista löydät tavoitteitasi parhaiten vastaavat harjoittelualueet.

**ALOITTELIJAN TASO • 50 - 60 %**  
maksimisykkeestä

Tämä taso on sopiva laihduttajille, toipilaille ja niille, jotka eivät ole harrastaneet liikuntaa aikaisemmin tai pitkään aikaan. Suositeltava

harjoitusmäärä on kolme kertaa viikossa vähintään puoli tuntia kerrallaan.

**KUNTOILIJAN TASO • 60 - 70 %**  
maksimisykkeestä

Tämä taso sopii erinomaisesti kunnon kohottamiseen ja ylläpitämiseen. Tällä tasolla vahvistat sydäntäsi ja keuhkojasi edellistä tasoa enemmän, mutta rasius tuntuu silti kohtuulliselta. Harjoituksen tulisi kestää kerrallaan vähintään puoli tuntia ja harjoituskertoja tulisi olla vähintään kolme viikossa. Mikäli haluat kohottaa kuntoasi edelleen, sinun on lisättävä joko harjoituskertoja tai harjoitustehoa (ei kuitenkaan molempia yhtäaikaan).

**AKTIIVIKUNTOILIJAN TASO • 70 - 80 %**  
maksimisykkeestä Harjoittelu tällä tasolla soveltuu vain erittäin hyväkuntoisille ja edellyttää jo pitkään jatkunutta kuntoilua.

Muista, että kunto-ohjelmassa lepo on yhtä tärkeää kuin harjoittelu. Jos esimerkiksi harjoittelet kolme viikkoa tunnollisesti, kannattaa ottaa seuraava viikko hieman kevyemmin.

## PULSSINMITTAUS KÄSIANTUREIDEN AVULLA

C20:n pulssinmittaus perustuu käsituissa oleviin antureihin, jotka mittaavat pulssia aina kun laitteen käyttäjä koskettaa molempia sensoreita yhtäaikaisesti. Luotettava pulssinmittaus edellyttää että iho on jatkuvassa kosketuksessa antureihin ja että sensoreita koskettava iho on hieman kostea. Liian kuiva ja liian kostea iho heikentävät käsipulssimittauksen toimivuutta. Näytöllä sydänsymboli vilkkuu mitatun pulssin tahdissa. Pulssinmittauksen luotettavuuden parantamiseksi suosittelemme, että pidät yläkehosi mahdollisimman rentona.

## MITTARI



Käynnistä mittari kytkemällä laite virtalähteeseen. Irrota laite aina käytön jälkeen virtalähteestä. Mittari siirtyy virransäästötilaan automaattisesti, mikäli laitetta ei käytetä 4 minuuttiin.

Kun näytöllä on P-symboli, lyhyt RESET painallus johtaa tilaan, jossa voit valita harjoitusohjelman +/- -painikkeilla.

### PAINIKKEET

#### START / STOP

Harjoituksen aloitus, keskeytys ja lopetus. Harjoituksen aikana painallus keskeyttää harjoituksen, jota voidaan jatkaa painamalla tätä painiketta uudestaan.

#### MODE

Tavoitearvosta toiseen siirtyminen.

#### RESET

Lyhyt painallus nolaa valitun näytön. Pitkä painallus nolaa mittarin kaikki näytöt.

+ / -

Ohjelmien valinta. Tavoitearvojen asetus. Pitkä painallus nopeuttaa arvojen vaihtumista.

### NÄYTÖT

#### RPM / SPEED (Nopeus)

Arvot vuorottelevat näytöllä. Harjoitusnopeuden näyttö RPM (poljinkierroksia / minuutti) ja km/h.

#### TIME (Aika)

Kumuloituvaa harjoitusaikaa tai asetettu tavoiteaika. Aikaa mitattaessa näytön kaksoispiste vilkkuu

kerran sekunnissa. Kun asetettu tavoiteaika täyttyy, mittari antaa äänimerkin. Enimmäistavoiteaika on 99 minuuttia.

#### DISTANCE (Matka)

Kumuloituvaa harjoitusmatkaa tai asetettu tavoitematka. Näyttö päivittyy 10 metrin välein.

#### WATTS / CALORIES (Teho / Energiankulutus)

Arvot vuorottelevat näytöllä. Teho Watteina. Arvioitu energiankulutus harjoituksen aikana (1 kcal = 4,187 kJ). Ihmisten kyky hyödyntää energiaa vaihtelee, joten energiankulutusnäyttö on suuntaa-antava arvio todellisesta kulutuksesta. Tämän laitteen mittari laskee energiankulutuksen keskimääräisten arvojen perusteella.

#### PULSE (Syke)

Syketasoa voidaan mitata käsisykeantureiden avulla. Näytön sydänsymboli vilkkuu samassa tahdissa kuin mitattu syke.

### TOIMINNOT

#### 1. MANUAL

Tämän ohjelman avulla voit harjoitella valitsemallasi vastustasolla (tasot 1-16). Voit muuttaa vastustasoa kesken harjoituksen.

#### 2. PROGRAM

Valittavissa on 12 valmiita harjoitusohjelmaa. Ohjelmaprofiilit näet näytöllä harjoituksen valittuasi.

#### 3. USER

Tämän ohjelman voit muokata haluamaksesi.

#### 4. TARGET HR

Tämän ohjelman avulla voit harjoitella valitsemallasi syketasolla. Laite muuttaa vastusta automaattisesti siten, että pysyt valitsemallasi syketasolla.

### MITTARIN KÄYTTÖ

Käynnistä mittari kytkemällä laite virtalähteeseen. Irrota laite aina käytön jälkeen virtalähteestä.

Mittari siirtyy virransäästötilaan automaattisesti, mikäli laitetta ei käytetä 4 minuuttiin.

Kun näytöllä on P-symboli, lyhyt RESET painallus johtaa tilaan, jossa voit valita harjoitusohjelman +/- -painikkeilla.

Mittari reagoi kaikkiin impulsseihin muutaman sekunnin viiveellä (sykemittaus käynnistyy noin 10 sekunnin viiveellä).

### TAVOITEARVOJEN ASETUS

Voit asettaa tavoitearvoja harjoitukselle. Kun olet valinnut harjoitusohjelman, pääset tavoitearvojen asetuksiin. Asetettava arvo vilkkuu näytöllä.

**TÄRKEÄÄ!** Harjoitusten tavoitearvoja voi asettaa vain asetusmoodissa; harjoitusta ei ole aloitettu, P-symboli on näytöllä ja haluttu harjoitusmuoto

on valittu. Harjoitustasoa voi säätää myös harjoituksen aikana.

TIME = aseta harjoitukselle haluamasi kesto

DISTANCE = aseta harjoitukselle haluamasi matka

CALORIES = aseta harjoitukselle haluamasi energiankulutus

PULSE = aseta sykkeellesi yläraja. Mittari antaa äänimerkin, kun ylität ylärajasykkeesi.

+/- -painikkeilla asetat haluamasi harjoituksen tavoitearvon. MODE-painikkeella hyväksyt arvon ja siiryt seuraavaan asetukseen. Kun olet asettanut haluamasi tavoitteen/tavoitteet, paina START/STOP ja aloita harjoitus. Tavoitearvo/tavoitearvot lähtevät vähenemään kohti nollaa. Tavoitearvon täytyttyä mittari vilkuttaa asetettua harjoitusarvoa ja antaa äänimerkin. Voit jatkaa harjoitusta edelleen, jolloin kyseinen harjoitusarvo alkaa vähentyä uudelleen alkuperäisestä tavoitteesta kohti nollaa. Arvot, jotka eivät olleet vielä saavuttaneet tavoitettaan, jatkavat vähentymistään. Voit lopettaa harjoituksen painamalla START/STOP.

**TÄRKEÄÄ!** MANUAL harjoituksessa on mahdollista asettaa tavoitetehto, jolloin Manual-harjoitus muuttuu Watti-harjoitukseksi. Harjoituksen vastus säätyy automaattisesti, siten että laite pitää tehon valitsemallasi tasolla poljinkierroksista huolimatta. Nuoli ylös teholumen viereissä tarkoittaa sinun olevan tavoitetehoasi suuremmalla tehotasolla. Nuoli alas tarkoittaa sinun olevan tavoitetehoasi pienemmällä vastustasolla. Mikäli asetat tavoitetehton, et voi säätää vastusta +/- -painikkeilla harjoituksen aikana.

## HARJOITTELU

### MANUAL-HARJOITUS

1. Valitse +/- -painikkeilla MANUAL
2. Vahvista valintasi MODE-painikkeella
3. A) Voit aloittaa harjoittelun ilman tavoitearvoja.
3. B) Aseta tavoitearvot.
4. Paina START/STOP –näppäintä ja aloita harjoitus. Säädä vastusta +/- -painikkeilla.
5. Lopeta harjoitus painamalla START/STOP –painiketta.

### PROGRAM (VALMIIT HARJOITUSPROFIILIT)

1. Valitse +/- -painikkeilla PROGRAM
2. Vahvista valintasi MODE-painikkeella
3. A) Voit aloittaa harjoittelun ilman tavoitearvoja. Silloin harjoituksen jokainen profiilipylväs kestää 16 poljinkierroksen ajan.
3. B) Aseta tavoitearvot. Mikäli asetat ajan, 16 profiilipylvään kesto jakautuu valitsemasi ajan mukaisesti.
4. Paina START/STOP –näppäintä ja aloita harjoitus.

**TÄRKEÄÄ!** Voit säätää harjoituksen tasoa +/- -painikkeilla.

5. Lopeta harjoitus painamalla START/STOP –painiketta.

### USER

1. Valitse +/- -painikkeilla USER
2. Vahvista valintasi MODE-painikkeella
3. Ensimmäinen profiilipylväs vilkkuu. Aseta sille sopiva taso +/- -painikkeilla.
4. Vahvista valintasi MODE-painikkeella, jolloin siiryt seuraavaan pylväeseen. Aseta sille sopiva vastustaso kuten edellä. Käy näin läpi jokainen profiilipylväs.
5. A) Voit tehdä harjoituksen ilman tavoitearvoja. Silloin jokainen profiilipylväs kestää 16 poljinkierroksen ajan. Voit säätää kunkin profiilipylvään tasoa +/- -painikkeilla.
5. B) Aseta tavoitearvot. Paina MODE-painiketta 2 sekunnin ajan, jolloin pääset asettamaan tavoitearvot. 16 profiilipylvään kesto jakautuu valitsemasi ajan mukaisesti.
6. Paina START/STOP –näppäintä ja aloita harjoitus. Voit säätää kunkin profiilipylvään tasoa +/- -painikkeilla
7. Lopeta harjoitus painamalla START/STOP –painiketta.

**TÄRKEÄÄ!** Mikäli asetat tavoitearvon / tavoitearvoja, harjoitus päättyy ensimmäisen tavoitearvon täytyttyä. Voit jatkaa harjoitusta painamalla START/STOP.

**TARGET HR (TAVOITESYKE)**

1. Valitse +/- -painikkeilla TARGET HR
2. Vahvista valintasi MODE-painikkeella
3. AGE vilkkuu näytöllä. Aseta ikäsi +/- -painikkeilla.
4. Vahvista asetus MODE-painikkeella.
5. Valitse tavoitesykealue +/- -painikkeella. Valittavissa ovat tavoitesykealueet 55%, 75%, 90 % maksimisykkeestä tai THR, jolloin voit asettaa tavoitesykkeesi +/- -painikkeilla. Pulse-näytöllä näet, mitä sykettä sykealue vastaa.
6. Vahvista valintasi MODE-painikkeella.
7. A) Voit aloittaa harjoittelun ilman tavoitearvoja.  
7. B) Aseta tavoitearvot.
8. Paina START/STOP -näppäintä ja aloita harjoitus.
9. Lopeta harjoitus painamalla START/STOP -painiketta.

**TÄRKEÄÄ!** Sykeohjauksessa vastusta säädetään ylöspäin 30 sekunnin ja alaspäin 15 sekunnin sykleissä.

**TÄRKEÄÄ!** Mittari kysyy ikää vain virran katkaisun jälkeen. Muutoin syötetty ikä on mittarin muistissa.

**KULJETUS JA SÄILYTYS**

Laitetta on helppo kuljettaa pitkin lattiaa kuljetuspyörien varassa työntäen. Siirrä aina laitetta seuraavan ohjeen mukaisesti, sillä väärä nosto- ja siirtotapa voi rasittaa selkää tai aiheuttaa vaaratilanteita.

Asetu laitteen etupuolelle, ota kiinni käsituesta ja kallista laitetta itseesi päin. Siirrä laite etutukijalan siirtopyörien varassa haluamaasi paikkaan ja laske laite varovasti alas.

**TÄRKEÄÄ!** Ota lattian suojaus huomioon siirtäessäsi laitetta.

Toimintahäiriöiden välttämiseksi säilytä laitetta mahdollisimman kuivassa ja tasalämpöisessä paikassa pölyltä suojattuna.

**HUOLTO**

C20:n huoltotarve on vähäinen. Tarkista kuitenkin aika ajoin kaikkien kiinnitysruuvien ja -muttereiden kireys.

• Pyyhi laitteesi kaikki osat harjoituksen päätyttyä hikivedestä pehmeällä, imukykyisellä liinalla. Älä käytä liuottimia.

• Älä poista laitteen suojakoteloita paikaltaan.

**KÄYTTÖHÄIRIÖT**

Jatkuvasta laaduntarkkailusta huolimatta laitteessa saattaa esiintyä yksittäisistä komponenteista johtuvia yksilövikoja tai toimintahäiriöitä. Koko laitteen toimittaminen korjattavaksi on yleensä tarpeetonta, sillä vika on useimmiten korjattavissa ko. osan vaihdolla.

Mikäli laitteen toiminnassa ilmenee häiriöitä käytön aikana, ota välittömästi yhteys laitteen myyjään. Ilmoita laitteesi malli ja sarjanumero (sarjanumerotarran sijainnin näet tämän käyttöohjeen etukannesta). Ilmoita lisäksi häiriön luonne, laitteen käyttöympäristö sekä ostopäivämäärä.

Mikäli tarvitset laitteeseesi varaosia, ota yhteys laitteen myyjään. Ilmoita aina laitteen malli, sarjanumero sekä tarvittavan osan varaosanumero. Varaosaluettelon löydät tämän oppaan lopusta. Laitteessa saa käyttää vain varaosalistassa mainittuja osia.

**TEKNISET TIEDOT**

Pituus.....	154 cm
Leveys .....	64 cm
Korkeus.....	153 cm
Paino.....	58 kg

Tämä kuntolaite on suunniteltu täyttämään sähkömagneettista yhteensopivuutta koskevan EU:n EMC-direktiivin (89/336/ETY) vaatimukset. Kuntolaite on varustettu sen mukaisesti CE-tarralla.

Tämä kuntolaite täyttää CEN tarkkuus- ja turvanormien vaatimukset (Luokka HB, EN-957).

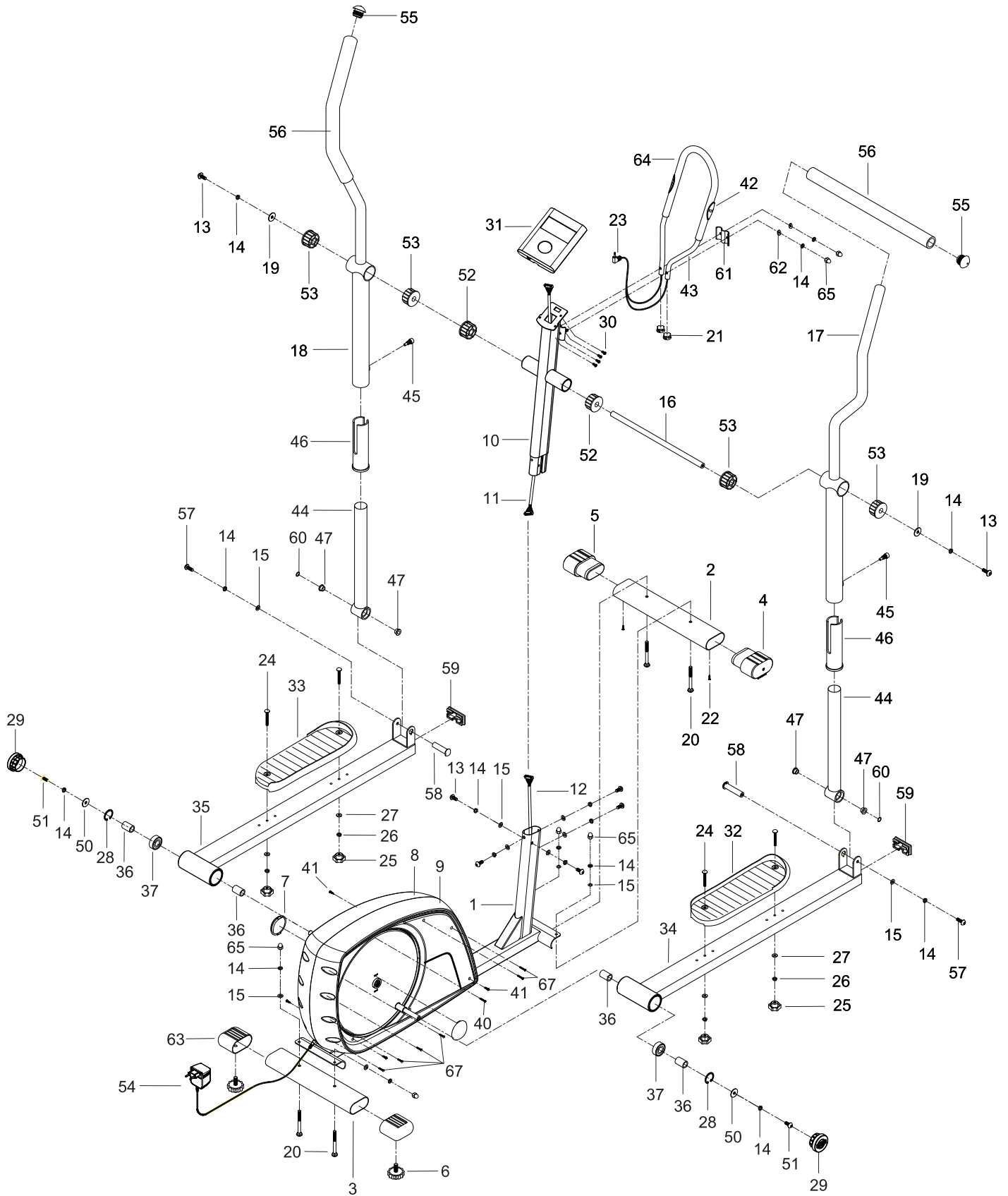
Oikeudet muutoksiin pidätetään.

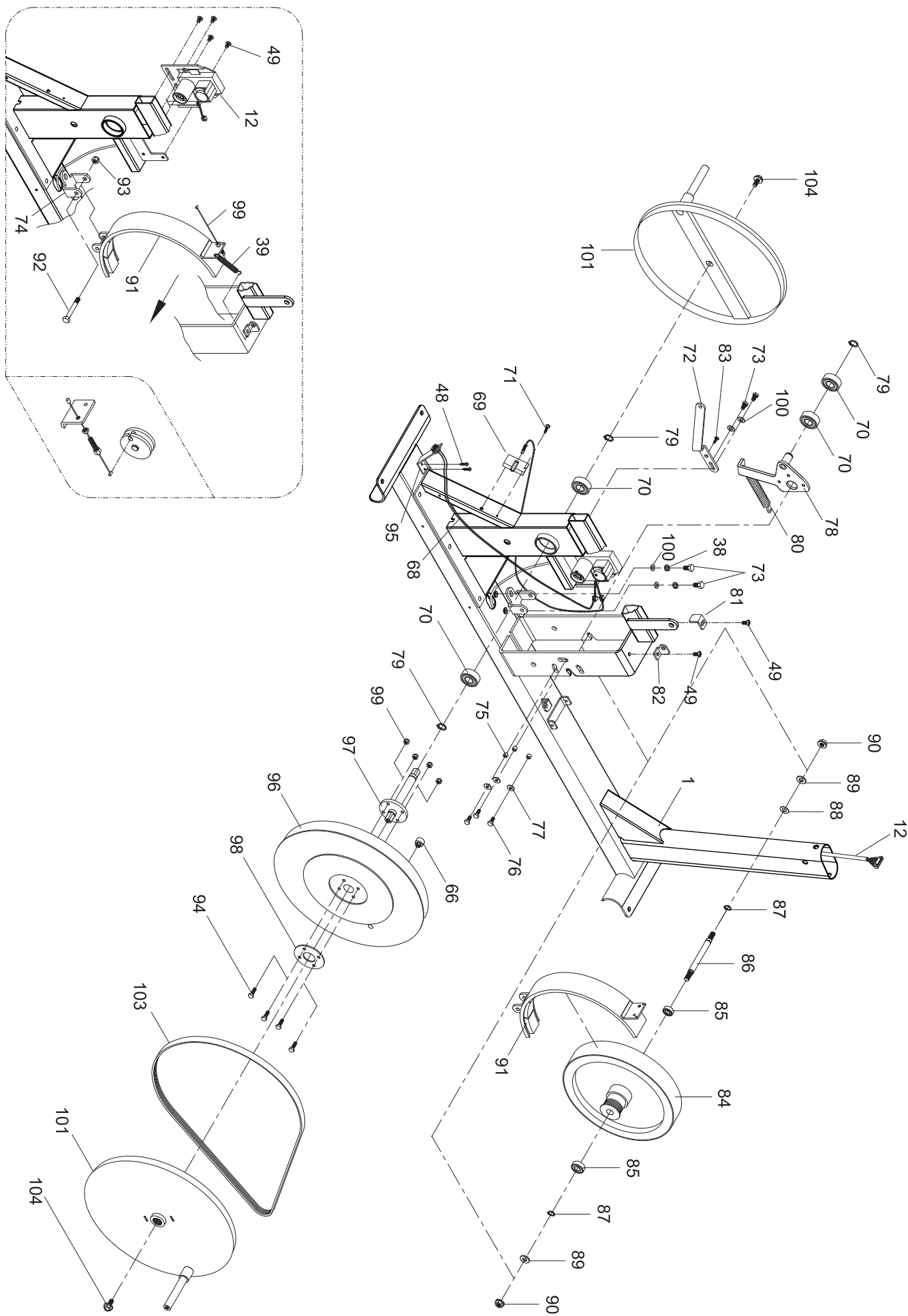
**TÄRKEÄÄ!** Ohjekirjan tietoja kuntolaitteen asennuksessa, käytössä tai huollossa on syytä noudattaa erittäin huolellisesti. Takuu ei korvaa vahinkoja, jotka ovat aiheutuneet tässä ohjekirjassa mainittujen asennus-, säätö- tai huolto-ohjeiden laiminlyönneistä. Mikäli laitteelle tehdään muita kuin Tunturi Oy Ltd:n neuvomia ja nimenomaisesti hyväksymiä toimenpiteitä, laitetta ei saa käyttää!

**Toivotamme Sinulle miellyttäviä harjoitushetkiä Tunturi-harjoituskumppanisi kanssa.**



1	103 7138	Base frame	1	62	M8 DIN137	Washer	2
2	103 7134	Front foot	1	63	533 7132	Pedal rear cover	2
3	103 7135	Rear foot	1	64	213 7009	Fix handlebar grip, pair	1
4	533 7125	Foot cover, RH	1	*65	M8 DIN 1587	Cap nut	6
5	533 7126	Foot cover, LH	1	66	403 7017	Magnet	1
6	653 7022	Adjusting foot	2	67	3,9x25 DIN 7981	Screw	7
7	533 7090	Turning plate cover	2	68	403 7036	DC-cable	1
8	173 7045	Chain cover, RH	1	69	503 7017	Sensor bracket	1
9	173 7046	Chain cover, LH	1	70	523 409 85	Bearing	4
10	203 7118	Upright tube, (incl. 62)	1	71	3,5x13 DIN 7504-M	Screw	1
11	403 7107	Cable	1	72	503 7024	Bracket	1
12	403 7108	Servo motor	1	73	M8x16 DIN 7985	Screw	4
*13	M8x15 ISO 7380	Allen head bolt	7	74	513 7016	Magnetic holder bracket	1
*14	M8 DIN 127	Spring washer	15	75	523 7014	Spacer sleeve	3
*15	M8 DIN 125	Washer	11	76	M6x14 DIN 933	Screw	3
16	343 7029	Axle support	1	77	M6 DIN 9021	Washer	3
17	203 7119	Handle bar, RH (incl. 53,55,56)	1	78	513 7001	Bracket (incl. 66, 79)	1
18	203 7120	Handle bar, LH (incl. 53,55,56)	1	79	17 DIN 417	Clip C17	3
*19	M8 DIN 440	Washer	2	80	643 7001	Charge spring	1
*20	M8x52 DIN 603	Screw	4	81	503 7018	Keep back bracket	1
*21	533 7047	Fix handlebar end cap	2	82	503 7037	Spring bracket	1
22	M4x12 DIN 7981	Screw	2	83	653 7042	Screw 10-24 UNCx16 1	
*24	M6x45 DIN 603	Screw	4	84	303 7013	Flywheel (incl. 85 - 90) 1	
*25	653 7022	Knob dawl	4	85	523 504 84	Bearing	2
*26	M6 DIN 127	Spring washer	4	86	343 7021	Flywheel axle	1
*27	M6 DIN 125	Washer	4	87	12 DIN 471	Clip C12	2
28	40 DIN 472	R40 Clip	2	88	653 7038	Washer	1
29	533 7127	Pedal rear cover	2	89	M10 DIN 125	Washer	2
30	M5x10 DIN	7985 Screw	2	90	653 7026 3/8"	Wh nut	2
31	233 7045	Computer	1	91	373 7006	Magnetic bow	1
32	363 7004	Pedal, pair (incl. 33)	1	92	M8x52 DIN 931	Screw	1
34	103 7136	Pedal tube, right	1	93	M8 DIN 985	Nylock nut	1
35	103 7137	Pedal tube, left	1	94	M6x18 DIN 933	Screw	4
36	523 7030	Bushing	4	95	503 7022	DC-wire bracket	1
37	523 7031	Bearing	2	96	263 7007	Pulley (incl. 102)	1
38	M8 DIN 127	Spring washer, black	2	97	343 7031	Axle for pulley	1
39	643 7002	Spring	1	98	503 7011	Safe bracket	1
40	3,9x32 DIN 7981	Screw	1	99	M6 DIN 985	Nylock nut	4
41	653 7069	Screw 10-32 UNCx19	4	100	M8 DIN 125	Washer	4
42	403 7016	Pulse grip unit (incl. 23)	2	101	433 7034	Turning pedal 2	
43	203 7121	Fix handle bar (incl.21,23,42,64)	1	103	443 7003	Belt	1
44	203 7122	Swivl tube	2	104	M8x25 DIN 933	Screw	2
*45	653 7070	Screw	2	105	223 7005	Metal wire	1
46	533 7128	Plastic insert	2		- 423 7099	Label set	1
47	533 7129	Bushing	4		- 553 7009	Assembly kit (incl. *)	1
48	653 7037	Screw 10-24 UNCx3/4"	2		- 583 7028	Owner s manual	1
49	M6x10 DIN 7985	Screw	6				
50	M8 DIN 9021	Washer	2				
51	M8x20 ISO 7380	Screw	2				
52	533 7130	Plug axle support	2				
53	533 7131	Plug axle support	4				
54	403 7108	Transformer	1				
55	533 7046	End cap	2				
56	213 7026	Handle grip, pair	1				
57	M8x25 ISO 7380	Allen head bolt	2				
58	343 7030	Pedal tube shaft	2				
59	533 7092	End cap	2				
60	653 7025	Washer	2				
61	503 7038	Fix handlebar bracket	1				







**TUNTURI®**

TUNTURI OY LTD

P.O.BOX 750, FIN-20361  
Turku, Finland  
Tel. +358 (0)2 513 31  
Fax +358 (0)2 513 3323  
[www.tunturi.com](http://www.tunturi.com)

583 7028 B

## Free Manuals Download Website

<http://myh66.com>

<http://usermanuals.us>

<http://www.somanuals.com>

<http://www.4manuals.cc>

<http://www.manual-lib.com>

<http://www.404manual.com>

<http://www.luxmanual.com>

<http://aubethermostatmanual.com>

Golf course search by state

<http://golfingnear.com>

Email search by domain

<http://emailbydomain.com>

Auto manuals search

<http://auto.somanuals.com>

TV manuals search

<http://tv.somanuals.com>