

R25

OWNER'S MANUAL	P. 2-6
BETRIEBSANLEITUNG	S. 7-12
MODE D'EMPLOI	P. 13-18
HANDLEIDING	P. 19-24
MANUALE D'USO	P. 25-30
MANUAL DEL USUARIO	P. 31-36
BRUKSANVISNING	S. 37-41
KÄYTTÖOHJE	S. 43-47

**SERIAL NUMBER
SERIENNUMMER
NUMERO DE SERIE
SERIENNUMMER
NUMERO DI SERIE
NÚMERO DE SERIE
SERIENNUMMER
SARJANUMERO**



www.accelfitness.com

TUNTURI®

From the **Heart**



CONTENTS

EXERCISING	3
USE	4
CONSOLE	4
TRANSPORT AND STORAGE.....	6
MAINTENANCE	6
MALFUNCTIONS	6
TECHNICAL SPECIFICATIONS.....	6

IMPORTANT SAFETY INSTRUCTIONS

Read this guide through carefully before assembling, using or servicing your fitness equipment. Please keep the guide somewhere safe; it will provide you now and in the future with the information you need to use and maintain your equipment. Always follow these instructions with care.

YOUR HEALTH

- Before you start any training, consult a physician to check your state of health.
- If you experience nausea, dizziness or other abnormal symptoms while exercising, stop your workout at once and consult a physician.
- Excessive or improper training may cause health problems.
- To avoid muscular pain and strain, begin each workout by warming up and end it by cooling down (slow pedaling at low resistance). Don't forget to stretch at the end of the workout.

THE EXERCISING ENVIRONMENT

- The equipment is not to be used outdoors.
- Place the equipment on a firm, level surface. Place the equipment on a protective base to avoid any damages to the floor beneath the equipment.
- Make sure that the exercising environment has adequate ventilation.

To avoid catching cold, do not exercise in a draughty place.

- In training, the equipment tolerates an environment measuring +10°C to +35°C. The equipment can be stored in temperatures ranging between -15°C and +40°C. Air humidity in the training or storage environment must never exceed 90 %.
- Allow at least 100 cm of clearance around the equipment.

THE EQUIPMENT

- If children are allowed to use the equipment, they should be supervised and taught to use the equipment properly, keeping in mind the child's physical and mental development and their personality. Also make sure that pet animals keep a safe distance to the product when it is transporting or used for training.
- Before you start using the equipment, make sure that it functions correctly in every way. Do not use a faulty equipment.
- Press the keys with the tip of the finger; your nails may damage the key membrane.
- Never remove the covers.
- Only one person may use the equipment at a time.
- Hold the handlebar for support when getting on or off the equipment.
- Wear appropriate clothing and shoes when exercising.
- Protect the meter from sunlight and always dry the surface of the meter if there are any drops of sweat on it.
- This product has a speed-dependent braking system.
- Further information on warranty terms can be found in the warranty booklet included with the product.

Please note that the warranty does not cover damage due to shipping or negligence of adjustment or maintenance instructions described in this manual.

- The equipment must not be used by persons weighing over 135 kg.
- Do not attempt any servicing or adjustments other than those described in this guide. Everything else must be left to someone familiar with the maintenance of electromechanical equipments and authorised under the laws of the country in question to carry out maintenance and repair work.

NOTE ABOUT ASSEMBLING THE EQUIPMENT

Start by unpacking the equipment. The detailed assembly instructions can be found at the back of this guide. Follow the instructions in given order. Before assembly, check the contents of the package. If a part is missing, please contact your dealer with the model, equipment serial no. and spare part no. of the missing part. You'll find a spare part list at the back of this guide. The hardware kit contents are marked with * in the spare parts list. The directions left, right, front and back are defined as seen from the exercising position. Keep the assembly tools, as you may need them e.g. for adjusting the equipment. Note that two people are needed for the assembly.

The packaging includes a silicate bag for absorbing moisture during storage and transportation. Please dispose of the bag once you have unpacked the equipment. Allow at least 100 cm of clearance around the equipment. We also recommend opening the package and assembling the product on a protective base. After assembling the equipment, insert the batteries on the backside of the console.

WELCOME TO THE WORLD OF TUNTURI EXERCISING!

Your choice shows that you really want to invest in your well being and condition; it also shows you really value high quality and style. With Tunturi Fitness Equipment, you've chosen a high quality, safe and motivating product as your training partner. Whatever your goal in training, we are certain this is the training equipment to get you there. You'll find information about using your exercise equipment and what makes for efficient training at Tunturi's website at WWW.ACCELLFITNESS.COM.

EXERCISING

Rowing is a very effective form of exercise. In addition to strengthening the heart and improving circulation, it develops the various groups of large muscles: the back, the abdomen, the arms, the shoulders as well as the pelvis and the legs. Rowing also develops muscular flexibility without exertion of joints, and it is a recommended form of exercise for those who suffer from pains in the neck and shoulder area. Working out using a rowing machine is excellent aerobic exercise, the principle being that the exercise should be suitably light, but of long duration. Aerobic exercise is based on improving the body's maximum oxygen uptake, which in turn improves endurance and fitness. The ability of the body to burn fat as a fuel is directly dependent on its oxygen-uptake capacity.

Aerobic exercise should above all be pleasant. You should perspire, but you should not get out of breath during the workout.

You should exercise at least three times a week, 30 minutes at a time, to reach a basic fitness level. Maintaining this level requires a few exercise sessions each week. Once the basic condition has been reached, it is easily improved, simply by increasing the number of exercise sessions.

Exercise is always rewarding for weight loss, because it is the only way of increasing the energy spent by the body. This is why it is always worthwhile to combine regular exercise with a healthy diet. A dieter should exercise daily - at first 30 minutes or less at a time, gradually increasing the daily workout time to one hour. You should start slowly and at low resistance, because strenuous exercise may subject the heart and circulatory system to excessive strain. As fitness improves, resistance and speed can be increased gradually.

Short sequences at heavy load increase maximum strength and muscular mass, longer sequences at a lighter load trim the body and develop stamina. First find your maximum heart rate i.e. where the rate doesn't increase with added effort. If you don't know your maximum heart rate, please use the following formula as a guide:

220 - AGE

These are average values and the maximum varies from person to person. The maximum heart-rate diminishes on average by one point per year. If you belong to a risk group, ask a doctor to measure your maximum heart rate for you.

We have defined three different heart-rate zones to help you with targeted training.

BEGINNER: 50-60 % of maximum heart-rate

Also suitable for weight-watchers, convalescents and those who haven't exercised for a long time. Three sessions a week of at least a half-hour each is recommended. Regular exercise considerably improves beginners' respiratory and circulatory performance and you will quickly feel your improvement.

TRAINER: 60-70 % of maximum heart-rate

Perfect for improving and maintaining fitness. Even reasonable effort develops the heart and lungs effectively, training for a minimum of 30 minutes at least three times a week. To improve your condition still further, increase either frequency or effort, but not both at the same time!

ACTIVE TRAINER: 70-80 % of maximum heart-rate

Exercise at this level suits only the fittest and presupposes long-endurance workouts.

USE

ADJUSTING RESISTANCE

You can increase or decrease resistance by turning the adjuster knob on the front frame. Turn the adjustment knob clockwise (+ direction) to increase resistance and counterclockwise (- direction) to decrease resistance. The scale above the knob (1-8) helps you find and reset a suitable resistance.

TELEMETRIC HEART RATE MEASUREMENT

The console has a heart rate receiver compatible with Polar equipment, so you can also use Polar uncoded heart rate belts for heart rate measurement. The most reliable heart rate measurement is achieved with a telemetric device, in which the electrodes of the transmitter fastened to the chest transmit the pulses from the heart to the console by means of an electromagnetic field.

NOTE! If you are fitted with a pacemaker, please consult a physician before using a wireless heart rate monitor.

If you want to measure your heart rate this way during your workout, moisten the grooved electrodes on the transmitter belt with saliva or water. Fasten the transmitter just below the chest with the elastic belt, firmly enough so that the electrodes remain in contact with the skin while exercising, but not so tight that

normal breathing is prevented. Attach the transmitter and adjust the flexible belt to an appropriate tightness below chest level so that the electrodes are in contact with the skin during exercise. If you wear the transmitter and belt over a light shirt, moisten the shirt slightly at the points where the electrodes touch the shirt. The transmitter automatically transmits the heart rate reading to the console up to a distance of about 1 m.

If the electrode surfaces are not moist, the heart-rate reading will not appear on the display. If the electrodes are dry, they must be moistened again. Allow the electrodes warm up properly to ensure accurate heart rate measurement. The transmitter is switched to an active state only when it is being used for measurement. Sweat and other moisture can, however, keep the transmitter in an active state and waste battery energy. Therefore it is important to dry the electrodes carefully after use.

When selecting training attire, please note that some fibers used in clothes (e.g. polyester, polyamide) create static electricity, which may prevent reliable heart rate measurement. Please note that a mobile phone, television and other electrical appliances form an electromagnetic field around them, which will cause problems in heart rate measurement.

CONSOLE



KEYS

1. SELECTION DIAL

The selection dial functions in two ways:

- A) Rotating the dial (+ / -).
- B) Pressing the dial (ENTER).

2. RESET.

Zeroing the exercising values, ending the exercise and return into main display

3. RECOVERY

Measuring the recovery heart rate

4. START/STOP

Starting and interrupting the exercise

5. OFF

Puts the meter immediately to the sleep mode.

DISPLAY**1. Performance speed (/min)**

Strokes per minute. The column underneath also shows the stroke speed.

2. Exercise duration

00:00-99:59; measuring at 1 second intervals, h1:40-h9:59 measuring at 1 minute intervals.

3. Heart rate during exercise

The symbol of a heart blinks simultaneously with your own heart rate during the exercise. The arrow signs show if the heart rate exceeds or surpasses the set values.

4. Exercise trip length (km/mile)

00.0 – 99.99 km / miles

5. Exercise speed (kmh/mpH)

00.0-99.9 kmh / mph

6. Energy consumption (Kcal)

Estimated total energy consumption during the exercise, 0 –9999 kcal

7. Clock (Clock)

Real time clock

8. Thermometer (Temp C / Temp F)

Measures the room temperature either in Celsius or Fahrenheit

9. Hygrometer (Humidity %)

Measures the room humidity, 0-100%.

10. Display of main values

The chosen exercise value shows in large numbers in the middle of the console; other values are shown in the upper row displays.

11. Display of an exercise profile

The profile of a preprogrammed exercise program.

12. Display of the cumulative heart rate

If the heart rate is measured during the exercise, the display shows the profile of the heart rate formed during the exercise.

13. Change of batteries (Battery low)

A warning sign is displayed before the change of batteries.

USING THE CONSOLE

The console is turned on by pressing any key. If the device has not been used for five minutes, it automatically switches itself to main display.

Select the desired measuring unit with the switch behind the console. You can select either metric (km, km/h, Celsius) or English (miles, mph, Fahrenheit) units.

SETTING THE TIME

After pressing ENTER+RESET for 2 seconds, the meter restarts and you can use SELECTION DIAL to set the time.

MANUAL-EXERCISE

In manual exercise, you can adjust resistance level during exercise from the control knob.

1. You can start the exercise immediately by pressing START/STOP button. Adjust the resistance level during exercise from the control knob.

2. You can start exercising by setting goal values. Press an arrow key until under the main number display is shown the text "Manual".

3. Press the ENTER key after which you can set the goal values.

4. TIME = select the desired exercise duration with +/- . Switch to the following step by pressing the ENTER key.

5. DISTANCE = select the desired distance with + / -. Switch to the following step by pressing the ENTER key.

6. KCAL= select the goal value of energy consumption with + / -. Switch to the following step by pressing the ENTER key.

7. PULSE = set the heart rate an upper limit with + / - : the display shows a heart symbol and an arrow upwards. Press the ENTER key to switch to setting the heart rate a lower limit. The display shows a heart and an arrow downwards. Set the lower limit with + / -. If your heart rate exceeds these limits, the limit value in question blinks in the display. To switch back to setting the exercise duration (TIME), press the ENTER key.

8. You can start exercising by pressing the START/STOP key. Start rowing and adjust the resistance if necessary during the exercise.

9. You can interrupt the exercise by pressing START/STOP ("Over" is shown in the display). The program information stays in the console memory for five minutes. If you resume with training within this time, simply press the START/STOP key again to continue.

10. You can stop exercising by pressing RESET when the console is in the pause mode.

11. If you have set a goal value, the console gives a signal and the displayed value starts blinking after the goal has been reached. Reset the display by first pressing START/STOP and thereafter RESET.

RECOVERY – MEASURING**THE RECOVERY PULSE**

Measure your recovery pulse rate at the end of the workout.

1. To start the measuring of the recovery pulse

rate, press RECOVERY. The display also shows the word "Recovery".

2. The measuring starts automatically and takes two minutes.
3. Upon completion of the measurement, the display shows the recovery rate as a percentage. The smaller the rate, the fitter you are. Please note that your results are in a relation to the pulse level in the beginning of the measurement, and that your results are personal and cannot directly be compared with any other person's results. In order to improve the reliability of recovery pulse measurement, always try to standardize the measurement situation as accurately as possible; start measuring at the same heart rate level as precisely as possible.
4. To switch back to the main display by pressing RESET. The console will also automatically switch to the main display one minute after the completion of the measurement.

TRANSPORT AND STORAGE

Move the device according to the following instruction, because lifting the rower incorrectly may strain your back or cause other risk of accidents:

Stand behind the device and grip the rail with one hand and the seat with the other. Tilt the device so that it rests on the transportation wheels. Move the device by wheeling it on transportation wheels. Lower the device onto floor while holding on to the rail and the seat, all the time remaining behind the device.

Transport the equipment with caution over uneven surfaces, for example over a step. The equipment should never be transported upstairs using the wheels over the steps, instead it must be carried. We recommend that you use a protective base when transporting the equipment.

To prevent malfunctioning of the rower, store in a dry place with as little temperature variation as possible, protected from dust.

MAINTENANCE

- The R25 requires very little maintenance. Check, however, from time to time that all screws and nuts are tight.
- Clean the rower with a damp cloth. Do not use solvents.
- Never remove the protective covers.
- Clean the inner surfaces of the rail if necessary so that the seat moves as smoothly and quietly as possible.

CHANGING BATTERIES

The console gives a warning signal before the change of batteries is due. Remove the battery compartment cover from the back side of the meter and remove old batteries. Place new batteries in the holder (note the direction of the batteries) and reattach the cover. To minimize the strain on the resistance mechanism, we recommend that the resistance adjustment knob is set to position 1 after every training session.

MALFUNCTIONS

Despite continuous quality control, defects and malfunctions caused by individual components may occur in the equipment. In most cases it's unnecessary to take the whole device in for repair, as it's usually sufficient to replace the defective part. If the equipment does not function properly during use, contact your Tunturi dealer immediately. Always give the model and serial number of your equipment. Please state also the nature of the problem, conditions of use and purchase date.

If you require spare parts, always give the model, serial number of your equipment and the spare part number for the part you need. The spare part list is at the back of this manual. Use only spare parts mentioned in the spare part list.

TECHNICAL SPECIFICATIONS

Length (folded)	201 (94) cm
Width (folded).....	53 (53) cm
Height (folded)	65 (124) cm
Weight	31,6 kg

The R25 meets EN precision and safety standards (EN-957).

Due to our continuous policy of product development, Tunturi reserves the right to change specifications without notice.

NOTE! The instructions must be followed carefully in the assembly, use and maintenance of your equipment. The warranty does not cover damage due to negligence of the assembly, adjustment and maintenance instructions described herein. Changes or modifications not expressly approved by Tunturi will void the user's authority to operate the equipment!

We wish you many enjoyable trainings with your new Tunturi training partner!

INHALT

TRAINIEREN.....	8
BETRIEB.....	9
COCKPIT.....	10
WARTUNG.....	11
BETRIEBSSTÖRUNGEN.....	11
TRANSPORT UND AUFBEWAHRUNG.....	11
TECHNISCHE DATEN.....	12

WICHTIGE SICHERHEITSHINWEISE

Dieses Handbuch ist ein wesentlicher Bestandteil Ihrer Trainingsausrüstung. Lesen Sie dieses Handbuch bitte sorgfältig durch, bevor Sie Ihr Trainingsgerät montieren, mit ihm trainieren oder es warten. Bitte bewahren Sie dieses Handbuch; es wird Sie jetzt und zukünftig darüber informieren, wie Sie Ihr Gerät benutzen und warten. Befolgen Sie diese Anweisungen immer sorgfältig.

- Vor Beginn eines Trainingsprogrammes einen Arzt konsultieren.
- Bei Übelkeit, Schwindelgefühl oder anderen anomalen Symptomen sollte das Training sofort abgebrochen und unverzüglich ein Arzt aufgesucht werden.
- Dieses Gerät hat ein geschwindigkeitsabhängiges Bremssystem, d.h. je schneller Sie trainieren, desto höher ist die Belastung.
- Aufgrund des natürlichen Spieltriebes und der Experimentierfreudigkeit der Kinder können Situationen und Verhaltensweisen entstehen, für die das Trainingsgerät weder gebaut noch abgesichert ist und die eine Verantwortung seitens des Herstellers ausschliessen. Wenn Sie dennoch Kinder an das Trainingsgerät lassen, müssen Sie deshalb deren geistige und körperliche Entwicklung und vor allem deren Temperament berücksichtigen, sie gegebenenfalls beaufsichtigen und sie vor allem auf die richtige Benutzung des

Gerätes hinweisen.

- Vergewissern Sie sich, dass während des Trainings oder beim Bewegen des Geräts kein Haustier in der Nähe ist.
- Bitte beachten Sie beim Aufstellen des Gerätes, dass in jede Richtung wenigstens 100 cm Freiraum vorhanden ist.
- Das Gerät sollte grundsätzlich nur von einer Person benutzt werden.
- Das Gerät darf nur in Innenräumen benutzt werden.
- Das Gerät auf möglichst ebenen Untergrund stellen.
- Stützen Sie sich nie gegen das Benutzerinterface ab!
- Bedienen Sie die Tasten mit der Fingerkuppe. Ein Fingernagel kann die Membrane der Tasten beschädigen.
- Das Gerät nie ohne die Abdeckungen benutzen.
- Dieses Gerät ist nicht für den Einsatz in Feuchträumen (Sauna, Schwimmbad) vorgesehen.
- Beim Training muss die Umgebungstemperatur zwischen +10°C und +35°C liegen. Zur Aufbewahrung kann das Gerät bei Temperaturen zwischen -15°C und +40°C gelagert werden. Die Luftfeuchtigkeit darf nie 90 % überschreiten.
- Vor Beginn des Trainings sicherstellen, dass das Gerät völlig intakt ist. Auf keinen Fall mit einem fehlerhaften Gerät trainieren.
- Zum Auf- und Absteigen am Lenker abstützen. Nicht auf das Gehäuse treten.
- Zur Benutzung des Gerätes stets angemessene Kleidung und Schuhwerk tragen.
- Nie die Hände in die Nähe von beweglichen Teilen bringen.
- Zur Vermeidung von Muskelkater Auf- und Abwärmtraining nicht vergessen.

- Keine anderen als die in dieser Betriebsanleitung beschriebenen Wartungsmassnahmen und Einstellungen vornehmen. Die angegebenen Wartungsanweisungen sind einzuhalten.
- Das Gerät darf nicht von Personen benutzt werden, deren Gewicht über 135 kg liegt.
- Nähere Informationen zur Garantie auf Ihr Fitnessgerät finden Sie im dem Gerät beiliegenden Garantieheft. Sowohl Tunturi, als auch seine nationalen Vertretungen übernehmen keine Haftung für Verletzungen oder Geräteschäden, die sich bei Dauereinsatz in gewerblichen Fitnesscentern, Sportvereinen und vergleichbaren Einrichtungen ergeben. Für Schäden, die durch Missachtung der beschriebenen Einstellungs- und Wartungsanweisungen entstehen, besteht kein Garantie-Anspruch!

HINWEIS ZUM ZUSAMMENBAU DES GERÄTS

Packen Sie das Gerät zunächst aus. Eine detaillierte Montageanleitung finden Sie im hinteren Teil dieses Handbuchs. Folgen Sie der Anleitung in der vorgegebenen Reihenfolge.

Kontrollieren Sie vor dem Zusammenbau zunächst den Lieferumfang. Wenden Sie sich bei fehlenden Teilen an Ihren Händler, und nennen Sie ihm die Typenbezeichnung und Seriennummer des Geräts sowie die Ersatzteilnummer des fehlenden Teils. Eine Ersatzteilliste finden Sie im hinteren Teil dieses Handbuchs. Die Hardware-Komponenten sind in der Ersatzteilliste mit einem Sternchen (*) gekennzeichnet. Die Richtungsangaben links, rechts, vorn und hinten gehen von der Trainingsposition aus. Verwahren Sie die Montagewerkzeuge, um sie bei Bedarf zur Hand zu haben (zum Beispiel zum Verstellen des Geräts). Es sei darauf hingewiesen, dass für den Zusammenbau des Geräts eine zweite Person benötigt wird.

Die Verpackung enthält eine Tüte mit Silikat, das die Feuchtigkeit während der Lagerung und des Transports aufnimmt. Bitte entsorgen Sie diese Tüte, wenn Sie das Gerät ausgepackt haben. Sorgen Sie rund um das Gerät für einen Freiraum von mindestens 100 cm. Außerdem wird empfohlen, das Paket auf einer Schutzmatte zu öffnen und das Produkt dort

zusammenzubauen.

Setzen Sie nach dem Zusammenbauen des Geräts die Batterien von hinten in die Konsole ein.

HERZLICH WILLKOMMEN IN DER WELT DES TRAINIERENS MIT TUNTURI!

Durch Ihren Kauf haben Sie bewiesen, dass Ihnen Ihre Gesundheit und Ihre Kondition viel wert sind; auch haben Sie gezeigt, dass Sie Qualität zu schätzen wissen. Mit einem Tunturi-Fitnessgerät haben Sie sich für ein hochwertiges, sicheres und motivierendes Produkt als Trainingspartner entschieden. Welches Ziel Sie auch immer mit Ihrem Training verfolgen, wir sind sicher, dass Sie es mit diesem Fitnessgerät erreichen. Hinweise zu Ihrem Trainingsgerät und zum effektiven Training damit finden Sie auf der Internetseite von Tunturi WWW.ACCELLFITNESS.COM.

TRAINIEREN

Rudern ist eine wirkungsvolle Form des Fitnesstrainings. Es fördert den Blutkreislauf und wirkt sich positiv auf alle großen Muskelgruppen aus: Rücken-, Bauch-, Hand-, Schulter-, Hüft- und Beinmuskulatur. Rudern trainiert den Bewegungsapparat ohne Überbeanspruchung der Gelenke.

Rudern ist eine ausgezeichnete aerobe Trainingsform, d.h. das Training ist zwar leicht, erfordert aber eine lange Trainingsdauer. Das aerobe Training basiert auf einer Verbesserung der max. Sauerstoffaufnahme-fähigkeit, was zu einer Verbesserung von Kondition und Ausdauer führt. Die Fähigkeit des Körpers, Fett zu verbrennen, hängt direkt von der Fähigkeit des Körpers ab, Sauerstoff zu transportieren.

Rudern ist auch eine angenehme Trainingsform. Man muss zwar ins Schwitzen, aber nicht ausser Atem kommen. Das Training sollte aus mindestens drei 30-minütigen Einheiten pro Woche bestehen. So wird eine Grundkondition erreicht. Die Aufrechterhaltung der Kondition setzt zirka zwei Trainingssätze pro Woche voraus. Ist die Grundkondition erreicht, kann diese leicht durch Erhöhen der Trainingsfrequenz verbessert werden.

Eine hohe Belastung und kurze Übungsintervalle eignen sich zur Entwicklung der Maximalkraft und Aufbau der Muskelmasse, leichtere Belastung und längere Übungsintervalle zum Straffen der Muskeln und Entwicklung der Muskelkraft.

Körperliche Betätigung ist ein wichtiges Hilfsmittel zur Reduzierung des Körpergewichtes, denn Training ist das einzige Mittel, den Energieverbrauch des Körpers zu erhöhen. Dabei ist es neben einer kalorienarmen Diät wichtig, regelmässig zu trainieren. Die tägliche Trainingszeit sollte am Anfang 30 Minuten entweder auf einmal oder in kleineren Intervallen betragen und sollte langsam auf 60 Minuten erhöht werden. Lassen Sie das Training mit geringem Zugwiderstand beginnen. Ermitteln Sie zuerst Ihre maximale Herzfrequenz. Wenn Sie diese nicht kennen, orientieren Sie sich bitte an der nachfolgenden Formel:

220 - ALTER

Das Maximum unterscheidet sich von Mensch zu Mensch. Die maximale Herzfrequenz verringert sich pro Jahr durchschnittlich um einen Punkt. Wenn Sie zu einer der bereits genannten Risikogruppen zählen, bitten Sie den Arzt, Ihre maximale Herzfrequenz festzustellen. Wir haben drei Herzfrequenzbereiche definiert, die Sie bei Ihrem zielgerichteten Training unterstützen.

ANFÄNGER: 50-60 % der maximalen Herzfrequenz

Sie ist ausserdem für Übergewichtige und Rekonvaleszenten geeignet sowie für diejenigen, die seit langem nicht mehr trainiert haben. Drei Trainingseinheiten pro Woche von jeweils einer halben Stunde Dauer sind angemessen. Regelmässiges Training verbessert die Leistungsfähigkeit der Atmungs- und Kreislauforgane ganz entscheidend.

FORTGESCHRITTENE: 60-70 % der maximalen Herzfrequenz

Perfekt geeignet zur Verbesserung und Erhaltung der Fitness. Damit stärken Sie Ihr Herz und Ihre Lungen mehr, als auf dem Anfängerniveau. Wir empfehlen mindestens 3 Trainingseinheiten pro Woche mit jeweils mindestens 30 Minuten. Wenn Sie Ihr Fitnessniveau noch weiter erhöhen möchten, trainieren Sie häufiger oder intensiver, aber nicht beides zugleich.

AKTIVE SPORTLER: 70-80 % der maximalen Herzfrequenz

Das Training auf diesem Niveau ist nur für durchtrainierte Sportler geeignet und setzt ein Langzeit-Ausdauertraining voraus.

BETRIEB

EINSTELLUNG DES WIDERSTANDES

Sie können den Widerstand erhöhen oder senken, indem Sie an dem Einstellknopf auf dem Frontrahmen drehen. Zum Erhöhen des Widerstandes das Einstellrad in Richtung "+", zum Reduzieren in Richtung "-" drehen. Mit der Skala des Einstellrades (1-8) kann der richtige Widerstand leicht gefunden bzw. neu eingestellt werden.

TELEMETRISCHE HERZFREQUENZMESSUNG

Das Cockpit hat einen mit Geräten von Polar kompatiblen Herzfrequenzempfänger, so dass Sie zur Herzfrequenzmessung auch nicht kodierte Messgurte von Polar verwenden können. Als zuverlässigste Art der Herzfrequenzmessung hat sich die drahtlose Herzfrequenzabnahme erwiesen, bei der die Herzschläge mit einem Elektrodengurt von der Brust abgenommen werden. Vom Gurt werden die Impulse danach über ein elektromagnetisches Feld an den Empfänger in der Elektronikanzeige übertragen.

BITTE BEACHTEN! Falls Sie einen Herzschrittmacher tragen, lassen Sie sich von Ihrem Arzt bestätigen, dass Sie die drahtlose Herzfrequenzmessung benutzen können.

Zur drahtlosen Herzfrequenzmessung während des Trainings die gegen die Haut kommenden Elektroden am Elektrodengurt sorgfältig mit Wasser oder Speichel anfeuchten. Befestigen Sie den Messwertgeber und stellen Sie den flexiblen Gurt oberhalb der Brust so ein, dass die Elektroden während des Trainings Kontakt zur Haut haben. Wird der Elektrodengurt über einem dünnen Hemd getragen, sind die gegen die Elektroden gerichteten Flächen ebenfalls zu befeuchten. Den Sender mit Hilfe des Gurtes fest unterhalb der Brustmuskulatur befestigen und darauf achten, dass der Gurt beim Training nicht verrutscht. Den Elektrodengurt jedoch nicht so festziehen, dass z. B. die Atmung erschwert wird. Der Sender kann den Pulswert bis zu einer Entfernung von zirka 1 m an den Empfänger übertragen.

Bei trockenen Elektroden wird kein Herzfrequenzwert angezeigt. Ggf. Elektroden wieder anfeuchten. Für eine zuverlässige Herzfrequenzmessung müssen die Elektroden auf Körpertemperatur angewärmt sein. Sind mehrere drahtlose Herzfrequenzmessgeräte gleichzeitig eingesetzt, sollten sie mindestens 1,5 m voneinander entfernt sein. Werden nur ein Herzfrequenzempfänger, aber mehrere

Sender eingesetzt, darf sich nur eine Person, die einen Herzfrequenzsender trägt, während der Herzfrequenzmessung innerhalb der Reichweite des Senders befinden. Der Sender schaltet sich aus, wenn der Elektrodengurt abgenommen wird. Er kann jedoch durch Feuchtigkeit neu aktiviert werden, was die Lebensdauer der Batterie verkürzt. Deswegen ist es wichtig, den Sender nach dem Training sorgfältig zu trocknen.

Achten Sie bei Ihrer Trainingskleidung darauf, dass bestimmte für Kleidungsstücke verwendete Fasern (z.B. Polyester, Polyamid) statische elektrische Ladungen verursachen, die ein Hindernis für eine zuverlässige Herzfrequenzmessung sein können. Beachten Sie auch, dass durch Handys, Fernsehgeräte und andere elektrische Geräte elektromagnetische Felder entstehen, die Probleme bei der Herzfrequenzmessung verursachen können.

COCKPIT



BEDIENUNGSTASTEN

1. DREHSCHALTER
Der Drehschalter funktioniert auf zweierlei Weise:
A) Drehschalter drehen (+ / -).
B) Drehschalter drücken (ENTER).
2. RESET
Nullen der Trainingswerte, Enden des Trainings und Rückkehr zur Hauptanzeige.
3. RECOVERY
Messung der Erholungsherzfrequenz.
4. START / STOP
Das Training starten und unterbrechen.

5. OFF
Versetzt das Instrument sofort in den Ruhemodus.

ANZEIGEN

1. Leistungsgeschwindigkeit (/min)
Züge pro Minute. Unter der Ablesung wird ein Pfeiler mit Geschwindigkeitsinformation gezeigt.
2. Trainingsdauer
00:00 – 99:59, Messung nach jeder Sekunde,
h1:40 – h9:59 Messung nach jeder Minute
3. Herzfrequenz während des Trainings
Herz-Symbol blinkt im Takt mit der gemessenen Herzfrequenz.
4. Trainingsstrecke (km/mile)
0.00-99.99 km / miles
5. Trainingsgeschwindigkeit (kmh / mph)
00.0– 99.9 kmh / mph
6. Energieverbrauch (Kcal)
Der berechnete Gesamtenergieverbrauch während des Trainings: 0-9999 kcal
7. Uhr (Clock)
Realzeituhr
8. Thermometer (Temp C / Temp F)
Messung der Raumtemperatur (Celsius oder Fahrenheit)
9. Feuchtigkeit (Humidity %)
Messung der Raumsfeuchtigkeit, 0-100%
10. Kumulative Herzfrequenzanzeige
Falls Herzfrequenz während des Trainings gemessen wird, kann man das Profil der Herzfrequenz am Display zu formen sehen.
11. Hauptnummerdisplay
Der gewählte Wert wird in grossen Nummern in der Mitte des Cockpits angezeigt. Andere Werte werden im oberen Rad gezeigt.
12. Batterienwechsel
Das Cockpit warnt im voraus wenn die Batterien gewechselt werden sollen.

BETRIEB DES COCKPITS

Das Cockpit wird durch Drücken irgendeiner Taste gestartet. Wird das Gerät mehr als fünf Minuten nicht betrieht schaltet sich das Cockpit automatisch aus.

Die gewünschte Messungseinheit mit der Taste auf der Rückseite des Cockpits wählen. Sie können zwischen metrische (km, km/h, Celsius) oder englische (miles, mph, Fahrenheit) Messungseinheiten wählen.

UHRZEIT EINSTELLEN

Halten Sie die Taste RESET+ENTER zwei Sekunden lang gedrückt. Daraufhin startet das Instrument neu, und Sie können Uhrzeit mit Hilfe des DREHSCHALTERS einstellen.

MANUAL-TRAINING

Bei der manuellen Trainiseinstellung können Sie den Widerstandsgrad während des Trainings mit dem Einstellknopf anpassen.

1. Sie können direkt mit dem Training beginnen, indem Sie die START/STOP-Taste drücken. Passen Sie den Widerstandsgrad während des Trainings mit dem Einstellknopf an.
2. Sie können mit dem Training durch Wahl der Zielwerte anfangen. Die Pfeiltaste drücken bis am Display das Wort "Manual" steht.
3. Die ENTER-Taste drücken um die Zielwerte einzustellen.
4. TIME = Trainingsdauer mit der Plus- und Minustasten einstellen. Mit der ENTER-Taste kommen Sie weiter an die nächste Einstellung.
5. DISTANCE = Trainingsstrecke mit der Plus- und Minustasten einstellen. Mit ENTER-Taste kommen Sie weiter an die nächste Einstellung.
6. KCAL = Zielwerte für Energieverbrauch mit der Plus- und Minustasten einstellen. Mit ENTER-Taste kommen Sie weiter an die nächste Einstellung.
7. PULSE = Obergrenze für Herzfrequenz mit den Plus- und Minustasten einstellen: das Cockpit zeigt ein Herz und einen "Pfeil oben" an. Durch Drücken der ENTER –Taste können Sie die Untergrenze für Herzfrequenz mit der Plus- und Minustasten einstellen: das Display zeigt jetzt ein Herz und einen "Pfeil unten" an. Wenn der Herzfrequenzwert die Obergrenze überschreitet, blinkt der betroffene Pfeil an dem Display. Rückkehr zur Einstellung der Trainingsdauer (= TIME) geschieht durch Drücken der ENTER-Taste.
8. Sie können mit dem Training durch Drücken der START/STOP –Taste anfangen. Starten Sie zu rudern und beim Bedarf den Widerstand während des Trainings justieren.
9. Sie können das Training durch Drücken der START/STOP –Taste unterbrechen (das Display zeigt "Over" an. Die Programminformation wird fünf Minuten lang gespeichert. Kehren Sie zurück zum Training während dieser Zeit brauchen Sie nur die START/STOP –Taste aufs neue zu drücken.
10. Während der Pause können Sie das Training durch Drücken der RESET-Taste enden.
11. Wenn Sie sich ein Zielwert eingestellt haben, gibt das Cockpit ein Signallaut und das gezeigte Wert beginnt zu blinken, welches bedeutet dass Sie das Ziel erreicht haben. Die Anzeige mit der START/STOP –Taste nullen und danach noch die RESET-Taste drücken.

RECOVERY – MESSUNG DER

ERHOLUNGSHERZFREQUENZ

Messen Sie Ihre Erholungsherzfrequenz nach dem Training.

1. Die Messung der Erholungsherzfrequenz wird durch Drücken die "RECOVERY"-Taste gestartet. Auch das Display zeigt "Recovery" an.
2. Die Messung startet automatisch und dauert zwei Minuten.
3. Nach dem Ende der Messung zeigt das Display die Erholungsbeziehung als ein Prozentzahl. Je kleiner dieser Zahl ist, desto besser ist Ihre Kondition! Beachten Sie, dass Ihre Ergebnisse in Beziehung mit dem Pulsniveau vom Messungsanfang steht, und dass Ihre Ergebnisse immer persönliche Ergebnisse sind, die nicht mit Ergebnissen anderer Menschen direkt vergleichbar sind. Zur Verbesserung der Zuverlässigkeit der Messung sollten Sie stets versuchen, den Messvorgang möglichst genau zu standardisieren; beginnen Sie die Messung möglichst genau auf dem gleichen Herzfrequenzniveau.
4. Der Rückkehr zum Hauptdisplay geschieht durch Drücken der RESET-Taste. Das Hauptdisplay stellt auch automatisch auf die Normalanzeige nach einem Minut um.

WARTUNG

- Die R25 ist weitgehend wartungsfrei. Dennoch sind von Zeit zu Zeit Schrauben und Muttern auf festen Sitz zu überprüfen.
- Das Gerät mit einem feuchten Tuch von Staub und Schmutz befreien. Keine Lösungsmittel verwenden.
- Die Schutzabdeckungen des Gerätes nie abnehmen.
- Reinigen Sie, falls erforderlich, die Innenseiten der Schiene, sodass sich der Sattel so leicht und leise wie möglich bewegt.

BATTERIEWECHSEL

Das Cockpit zeigt ein Warnungssignal, bevor die Batterien gewechselt werden sollen. Nehmen Sie die Abdeckung des Batteriefachs auf der Rückseite des Messgeräts ab und entfernen Sie die alten Batterien. Legen Sie neue Batterien ein (beachten Sie die Richtung der Batterien) und setzen Sie die Abdeckung wieder auf.

BETRIEBSSTÖRUNGEN

BITTE BEACHTEN! Trotz kontinuierlicher Qualitätsüberwachung können vereinzelt an

den Geräten durch einzelne Komponenten verursachte Funktionsstörungen auftreten. Dabei ist es nicht angebracht, das ganze Gerät zur Reparatur zu bringen, da der Fehler meistens durch Austauschen der defekten Komponente behoben werden kann.

Wenn das Gerät während des Gebrauchs nicht einwandfrei funktioniert, wenden Sie sich bitte umgehend an die für Sie zuständige Tunturi-Alleinvertretung. Beschreiben Sie das Problem, die Einsatzbedingungen und teilen Sie das Kaufdatum und die Typenbezeichnung und die Seriennummer Ihres Gerätes mit.

Wenden Sie sich an Ihre nationale Tunturi-Vertretung, wenn Sie Ersatzteile benötigen. Beschreiben Sie die Einsatzbedingungen und teilen Sie das Kaufdatum und die Seriennummer des Gerätes mit. Die Ersatzteilnummern finden Sie in der Liste am Ende dieser Anweisung. Nur Teile in der Ersatzteilliste dürfen verwendet werden.

TRANSPORT UND AUFBEWAHRUNG

Die Transportanweisungen beachten. Wird das Gerät falsch angehoben bzw. transportiert, kann dies den Rücken belasten oder zu Gefahrensituationen führen.

Das Gerät wie folgt transportieren: stellen Sie sich hinter das Gerät. Mit der einen Hand den Sitz und mit der anderen die Profilschiene umgreifen. Das Gerät auf die Transportrollen am vorderen Ende anheben und an den gewünschten Platz schieben.

Das Gerät nur mit äußerster Vorsicht über eine Schwelle oder andere unebene Flächen transportieren. Das Gerät darf nicht auf den Transportrollen über eine Treppe geschoben werden - es muss unbedingt getragen werden. Ein Verschieben des Gerätes kann manche Fussbodenmaterialien beschädigen, z.B. Holzparkettböden. In diesem Fall müssen Sie den Boden vorher schützen.

Um Funktionsstörungen zu vermeiden, das Gerät in einem möglichst trockenen Raum mit gleichbleibender Temperatur vor Staub geschützt aufbewahren und benutzen.

Um das Widerstandsmechanismus nicht unnötig zu belasten, empfehlen wir, dass das Einstellrad nach jedem Training auf die Position 1 gestellt wird.

TECHNISCHE DATEN

Länge	201 (94) cm
Breite	53 (53) cm
Höhe	65 (124) cm
Gewicht	31,6 kg

Die R25 erfüllt die EN-Präzisions- und Sicherheitsstandards (EN-957).

Aufgrund unserer kontinuierlichen Produktentwicklung behält sich Tunturi das Recht vor, Spezifikationen ohne vorherige Ankündigung zu verändern.

BITTE BEACHTEN: Die Hinweise bezüglich der Montage, der Benutzung und der Wartung Ihres Gerätes müssen sorgfältig beachtet werden. Die Garantie schliesst keine Beschädigungen ein, die auf Fahrlässigkeit bei der Montage, Einstellung und Wartung, wie sie in diesem Handbuch beschrieben wurden, zurückzuführen sind. Werden Modifizierungen ohne das Einverständnis der Tunturi vorgenommen, erlischt jeglicher Garantieanspruch!

Wir wünschen Ihnen viele angenehme Trainingsstunden mit Ihrem neuen Tunturi Trainingspartner!

TABLE DES MATIERES

EXERCICE	14
UTILISATION.....	15
UNITE DES COMPTEURS	16
MAINTENANCE	17
TRANSPORT ET RANGEMENT	17
CARACTERISTIQUES TECHNIQUES	18

CONSEILS ET AVERTISSEMENTS

Lisez attentivement ce mode d'emploi avant d'assembler, d'utiliser ou d'effectuer l'entretien de votre appareil sportif. Veuillez conserver ce guide, il contient les renseignements dont vous aurez besoin, maintenant et plus tard, pour utiliser et entretenir votre appareil. Suivez toujours les instructions très rigoureusement.

VOTRE SANTE

- Consultez votre médecin avant de commencer vos exercices.
- Si vous êtes pris de nausées ou de vertiges ou sentez d'autres symptômes anormaux pendant l'entraînement, interrompez immédiatement la session et consultez votre médecin.
- Afin d'éviter toutes douleurs musculaires, commencez et terminez vos sessions par des mouvements d'échauffement (pédalage lent avec une résistance faible). N'oubliez pas non plus d'effectuer des mouvements d'étirement pour terminer votre session.

MILIEU D'ENTRAINEMENT

- L'appareil ne doit pas être utilisé à l'extérieur.
- Placez l'appareil sur une surface aussi plane que possible. Placez une protection sous l'appareil.
- Assurez-vous d'une ventilation suffisante, mais évitez toutefois les

courants d'air.

- En entraînement, l'appareil supporte des températures de 10°C à 35°C. L'appareil peut aussi être rangé à une température comprise entre -15°C et +40°C. L'hygrométrie du local d'utilisation ou de rangement de l'appareil ne doit jamais excéder 90 %.

- Laissez au moins 100 cm d'espace libre devant, derrière et sur les côtés.

L'UTILISATION DE L'APPAREIL

- Si vous décidez de laisser un enfant utiliser l'appareil, prenez toujours en considération l'état de son développement physique et mental ainsi que son caractère. Donnez à l'enfant les conseils nécessaires pour une bonne utilisation de l'appareil et ne le laissez jamais seul. Veillez également à ce qu'aucun animal de compagnie ne se trouve à proximité de l'appareil pendant le déplacement ou pendant l'utilisation.

- Commencez par vérifier que l'appareil est en parfait état de marche. N'utilisez jamais un appareil défectueux.

- Appuyez sur les touches du bout des doigts: vos ongles risquent d'abîmer la membrane des touches.

- N'utilisez jamais l'appareil avec les protections démontées.

- Ne montez jamais à deux ou à plusieurs sur l'appareil.

- Portez des vêtements et chaussures appropriés.

- Protégez l'unité des compteurs d'une exposition au soleil et séchez toujours la surface de l'unité des compteurs si des gouttes de sueur sont tombées dessus.

- N'effectuez jamais d'autres opérations de réglage et d'entretien que celles mentionnées dans ce guide et suivez bien les conseils d'entretien qui y sont donnés.

- L'appareil ne doit pas être utilisé par des personnes pesant plus de 135 kg.

- Pour information complémentaire sur la garantie de votre équipement de fitness, veuillez consulter la brochure de garantie livrée avec l'appareil. Veuillez noter que la garantie ne couvre pas les dommages causés par un manque de précaution quant aux instructions de montage et d'entretien décrites dans ce mode d'emploi.
- N'essayez pas d'effectuer d'autres entretiens ou réglages que ceux décrits dans ce mode d'emploi. Les autres opérations doivent être laissées aux soins des personnes compétentes dans l'entretien des dispositifs électromagnétiques et autorisées, aux regards des lois du pays concerné (ou équivalent) à accomplir les travaux de maintenance et de réparations. Les instructions de maintenance de ce mode d'emploi doivent être suivies scrupuleusement.

A NOTER LORS DE L'ASSEMBLAGE DE L'APPAREIL

Otez l'appareil de l'emballage. Vous trouverez les instructions d'assemblage détaillées au dos de ce manuel ; veuillez les suivre dans l'ordre indiqué.

Avant de commencer, vérifiez le contenu de l'emballage. S'il vous manque une pièce, contactez votre revendeur et indiquez-lui le modèle, le numéro de série de l'appareil et la référence de la pièce manquante. Vous trouverez la liste des pièces détachées à la fin de ce manuel. Les accessoires matériels sont marqués d'une * dans la liste des pièces détachées. Les directions droite, gauche, avant et arrière sont définies par rapport à la position d'exercice. Conservez les outils de montage, vous pourriez en avoir besoin pour régler l'appareil par exemple. Il faut être à deux pour assembler l'appareil.

L'emballage renferme un sachet de silicate pour absorber l'humidité pendant le stockage et le transport. Veuillez le jeter après avoir déballé l'appareil. Conservez au moins 1 m d'espace libre autour de l'appareil. Nous recommandons également d'ouvrir l'emballage et d'assembler le produit sur une base protectrice.

Une fois l'appareil monté, insérez les piles au dos de la console.

BIENVENUE DANS LE MONDE DE L'ENTRAÎNEMENT TUNTURI !

Votre choix prouve que vous souhaitez réellement investir dans votre bien-être et votre condition; il révèle aussi que vous savez apprécier la haute qualité et l'élégance. En choisissant un équipement sportif Tunturi, vous adoptez un produit de premier choix comme partenaire pour un entraînement motivant en toute sécurité. Quel que soit votre objectif, nous sommes persuadés que cet appareil est celui qui vous y conduira. Adressez-vous à WWW.ACELLFITNESS.COM pour plus d'informations.

EXERCICE

Le canotage est une forme d'exercice efficace. Il renforce le cœur et, permettant de faire travailler tous les grands groupes musculaires - dos, ventre, bras, épaules, hanches et jambes - il améliore la circulation du sang. Le canotage permet également d'améliorer la souplesse sans peser sur les articulations et est une forme d'exercice recommandée aux personnes souffrant de douleurs dans la nuque et aux épaules.

Le canotage est aussi une excellente forme d'exercice aérobic qui lie à la fois modération et durée dans les efforts. Un tel exercice vise à améliorer votre capacité maximale d'absorption d'oxygène, donc votre endurance et votre condition physique. La capacité du corps à "brûler" la graisse est directement liée à sa capacité de transporter l'oxygène.

L'exercice aérobic est avant tout un exercice agréable qui devra faire apparaître une légère sueur sur votre peau mais ne devra en aucun cas vous essouffier. Pour vous remettre en forme, il vous faut pratiquer des exercices physiques au moins trois fois par semaine pendant 30 minutes à chaque fois et pour vous maintenir en bonne condition, au moins deux fois par semaine. Une fois un bon niveau de condition atteint, il est facile de l'améliorer en augmentant le nombre des séances d'entraînement.

Si vous désirez perdre des kilos, l'exercice physique vous est d'autant plus important, car c'est le seul moyen d'augmenter la quantité d'énergie consommée par votre organisme. Voilà pourquoi une diète faible en calories doit toujours être accompagnée d'exercices physiques réguliers. Pour obtenir les meilleurs résultats, il est bon de pratiquer des exercices tous les jours, au début pendant 30 minutes (avec ou sans pauses) puis d'augmenter la dose quotidienne progressivement à une heure.

Débutez avec une vitesse de canotage et une résistance faibles. Si vous êtes obèse, un effort excessif pourrait surcharger votre système cardio-vasculaire. Au fur et à mesure que votre condition s'améliore, vous pourrez augmenter résistance et vitesse.

Pour augmenter la force et la masse musculaires, effectuer de courtes séries à forte charge, pour augmenter la résistance et le tonus musculaires, effectuer de longues séries à faible charge.

Déterminez d'abord votre rythme cardiaque maximum c'est à dire le rythme à partir duquel le pouls n'augmente plus, même si l'effort est accru. Si vous ne connaissez pas votre pouls maximum, utilisez ces formules indicatives :

220 - ÂGE

Notez bien que c'est une valeur moyenne et que les maxima varient d'une personne à l'autre. Le pouls maximum diminue, en moyenne, d'une pulsation par année. Si vous faites partie d'un des groupes «à risque», consultez un médecin pour qu'il mesure votre pouls maximum. Nous avons déterminé trois zones de pouls pour vous aider dans vos entraînements soumis à un objectif.

DÉBUTANT : 50-60 % du pouls maximum

Ce niveau convient aussi aux personnes désirant perdre du poids ou n'ayant pas pratiqué d'activité physique depuis longtemps ainsi qu'aux convalescents. Il est recommandé de s'entraîner au moins une demi-heure trois fois par semaine. Un exercice régulier améliore, de façon décisive, les performances respiratoires et circulatoires du débutant et les effets d'une meilleure forme sont très vite ressentis.

ENTRAÎNEMENT : 60-70 % du pouls maximum

Ce niveau est parfait pour l'amélioration et le maintien d'une bonne condition physique. Il permet de renforcer le cœur et les poumons tout en respectant un effort raisonnable. S'entraîner au moins trois fois par semaine pendant une demi-heure minimum. Pour progresser davantage, augmentez soit la fréquence soit la durée des séances mais pas les deux en même temps !

ENTRAÎNEMENT ACTIF : 70-80 % du pouls maximum

L'exercice à ce niveau ne convient qu'aux personnes en excellente condition physique et suppose un entraînement antérieur de longue date.

UTILISATION

REGLAGE DE LA RESISTANCE

Vous pouvez augmenter ou diminuer la résistance au moyen du bouton de réglage situé sur le cadre de support. Pour augmenter la résistance, tournez, dans le sens des aiguilles d'une montre (+), le bouton de réglage se trouvant en partie haute de la barre du guidon. Pour diminuer la résistance, tournez-le dans le sens inverse (-). Grâce à l'échelle (1-8) se trouvant au dessus du bouton de réglage, il est aisé de trouver la bonne résistance.

MESURE DU RYTHME CARDIAQUE SANS FIL

Les compteurs sont équipés d'un récepteur compatible Polar, vous pouvez donc utiliser également des ceintures télémétriques Polar non codées. La façon la plus fiable de mesurer le pouls est de le faire à l'aide d'un couple émetteur-récepteur sans fil, dans lequel les électrodes de l'émetteur fixé au niveau de la poitrine envoient les pulsations à l'unité des compteurs à travers le champ électromagnétique existant entre l'émetteur et le récepteur.

ATTENTION ! Si vous utilisez un stimulateur cardiaque, vérifiez auprès de votre médecin que vous pouvez utiliser un cardiofréquencemètre sans fil.

Si vous désirez mesurer votre pouls avec la méthode sans fil, commencez par bien mouiller, avec de l'eau ou votre salive, les électrodes de la ceinture de l'émetteur, qui seront en contact avec la peau de votre poitrine. Serrez la ceinture juste en dessous des pectoraux de sorte que les électrodes restent toujours en contact avec la peau pendant l'exercice. Si vous fixez la ceinture sur votre T-shirt, mouillez le T-shirt aux endroits où se posent les électrodes. Placez la ceinture flexible sous les muscles pectoraux de façon à ce que les électrodes de l'émetteur restent constamment en contact avec votre peau tout au long de l'exercice. Ne serrez cependant pas trop la ceinture: vous devez pouvoir respirer normalement. L'émetteur peut transmettre votre pouls à l'unité des compteurs sur une distance d'un mètre au maximum.

Si les électrodes ne sont pas suffisamment mouillées, l'écran n'affichera pas votre pouls. Donc si les électrodes se sont asséchées en contact avec votre peau, il vous faudra les mouiller à nouveau. Pour mesurer le pouls avec un maximum de fiabilité, laissez les électrodes s'échauffer, par contact sur votre peau, à la température de votre corps. Dans le cas où plusieurs équipements de mesure du pouls sans fils sont utilisés en même temps,

la distance entre eux doit être d'au moins 1,5 m. D'autre part, si on ne dispose que d'un récepteur mais de plusieurs émetteurs, une seule personne portant un émetteur doit se trouver à l'intérieur de la zone de portée du récepteur, lorsque la mesure du pouls est en cours.

ATTENTION! Prenez en compte dans vos vêtements d'entraînement le fait que certaines fibres utilisées dans les vêtements (ex. polyester, polyamide) génèrent de l'électricité statique, ce qui peut entraîner un manque de fiabilité de la mesure du rythme cardiaque. Un téléphone portable, une télévision et d'autres appareils électriques créent un champ électromagnétique autour d'eux, ce qui pose des problèmes dans la mesure du rythme cardiaque.

UNITE DES COMPTEURS



TOUCHES

1. BOUTON CENTRAL DE SELECTION

Le bouton central de sélection s'utilise de deux façons :

A) Par rotation (+ / -).

B) Par pression (ENTER).

2. RESET (MISE À ZÉRO)

Mise à zéro des valeurs d'entraînement, fin de l'exercice et retour en mode prêt au démarrage

3. RECOVERY (RÉCUPÉRATION)

Mesure du rythme cardiaque de récupération

4. START / STOP

Démarrage et interruption de l'exercice

5. OFF

Cette touche met immédiatement le compteur en mode veille.

AFFICHAGES

1. Vitesse de performance (/min)

Coups de rame par minute, il y a également une colonne sous la valeur affichée qui indique la vitesse de pédale.

2. Durée d'entraînement

00:00- 99:59 : mesure à 1 seconde d'intervalle, h1:40-h9:59, mesure à 1 minute d'intervalle.

3. Rythme cardiaque d'entraînement

Le symbole « coeur » clignote au rythme du battement cardiaque. Les symboles « flèche » de l'écran indiquent si le rythme cardiaque dépasse la limite supérieure ou inférieure réglée.

4. Distance de l'exercice (km / mile)

0.00-99,99 km / miles

5. Vitesse de l'exercice (kmh / mph)

00.0-99.9 km/h / mph

6. Dépense énergétique (Kcal)

Évaluation de la dépense énergétique globale durant l'exercice, 0-9999 kcal

7. Horloge (Clock)

Horloge en temps réel

8. Thermomètre (Temp C / Temp F)

Thermomètre de température ambiante, en degrés Celsius ou Fahrenheit

9. Hygromètre (Humidity %)

Pour mesurer l'humidité de la pièce 0-100 %

10. Affichage du numéro principal

La valeur d'exercice sélectionnées est visible en numéros de grande taille au milieu du compteur ; les autres valeurs d'exercice sont affichées simultanément sur les écrans de chiffres de la ligne supérieure

11. Affichage cumulatif du rythme cardiaque

Si l'utilisateur utilise la mesure du rythme cardiaque durant l'exercice, l'écran affiche le profil du rythme cardiaque durant l'exercice

12. Changement des piles (Battery low)

Un écran d'alarme indique le besoin de changer les piles

UTILISATION DU COMPTEUR

Le compteur se met en route en appuyant sur n'importe quelle touche du compteur. Si l'équipement n'est pas utilisé pendant 5 minutes, le compteur se débranche automatiquement.

Choisir les unités du compteurs souhaitées à l'aide de l'interrupteur situé au dos du compteur. Vous pouvez choisir les unités métriques (km, km/h, Celsius) ou les unités anglaises (miles, mph, Fahrenheit)

REGLAGE DE L'HEURE

Appuyez pendant 2 secondes RESET+ENTER, le compteur redémarre et vous pouvez régler l'heure à l'aide du BOUTON CENTRAL DE SELECTION.

ENTRAÎNEMENT EN MODE MANUEL

En mode manuel, vous pouvez régler à tout moment le niveau de résistance à l'aide du bouton de réglage.

1. Vous pouvez commencer l'exercice en appuyant sur START / STOP. Réglez le niveau de résistance à l'aide du bouton de réglage.
2. Vous pouvez commencer en paramétrant une valeur précise pour l'exercice. Appuyer sur la touche flèche jusqu'à ce que le texte Manual s'inscrive sous l'écran de chiffres principal.
3. Appuyer sur la touche SET, ce qui vous permet d'accéder aux réglages des valeurs que vous pouvez déterminer.
4. TIME = régler la durée souhaitée de votre exercice avec les touches +/- . La touche ENTER vous permet de passer au réglage suivant.
5. DISTANCE = régler la distance souhaitée de votre exercice avec les touches +/- . La touche ENTER vous permet de passer au réglage suivant.
6. KCAL = régler la valeur souhaitée pour votre dépense énergétique durant l'exercice avec les touches +/- , la touche ENTER vous permet de passer au réglage suivant.
7. PULSE = régler la valeur de limite cardiaque maximale pour la durée de l'exercice avec les touches +/- : l'écran affiche les symboles coeur et flèche vers le haut. Appuyer sur la touche ENTER, ce qui vous permet d'accéder aux réglages de la limite cardiaque inférieure : l'écran affiche les symboles coeur et flèche vers le bas. Régler la limite cardiaque inférieure pour la durée de l'exercice avec les touches +/- . Si votre rythme cardiaque dépasse les limites fixées, le compteur l'indique en faisant clignoter la flèche de la limite concernée sur l'écran. Ensuite revenir au réglage de la durée de l'exercice (TIME) en appuyant sur la touche ENTER.
8. Vous pouvez commencer immédiatement en appuyant sur la touche START/STOP. Commencer à régler le niveau de résistance durant l'exercice si nécessaire.
9. Vous pouvez interrompre votre exercice en appuyant sur la touche START/STOP (le compteur affiche le texte Over). Les informations du programme sont conservées durant 5 minutes dans la mémoire du compteur, vous pouvez donc continuer votre exercice en appuyant de nouveau sur START/STOP.
10. Vous pouvez arrêter votre exercice en appuyant

sur la touche RESET lorsque le compteur est en mode pause.

11. Si vous vous êtes fixé une valeur précise, le compteur émet un signal sonore et l'affichage de la valeur se met à clignoter une fois que vous avez atteint la valeur souhaitée. Mettre l'affichage à zéro en appuyant d'abord sur la touche START / STOP, puis sur la touche RESET.

RECOVERY – MESURE DU RYTHME

CARDIAQUE DE RÉCUPÉRATION

Mesurez votre rythme cardiaque de récupération à la fin de l'exercice.

1. Appuyer sur la touche RECOVERY pour accéder à la mesure du rythme cardiaque de récupération. L'écran affiche le texte Recovery.
2. La mesure démarre automatiquement et dure deux minutes.
3. À la fin de la période de mesure, l'écran affiche le rapport de récupération du rythme cardiaque en pourcentage. Plus ce chiffre est faible, meilleure est votre forme physique. Notez que votre résultat est en rapport avec votre niveau cardiaque à l'instant du démarrage de la mesure et que votre résultat est personnel et donc non comparable avec les éventuels résultats d'autres personnes. Pour améliorer la fiabilité de la mesure du pouls de récupération, essayez de toujours procéder de manière pratiquement identique; commencez la mesure à un niveau cardiaque similaire.
4. Pour quitter la fonction de mesure du rythme cardiaque de récupération et revenir à l'écran général, appuyer sur la touche RESET ; le compteur revient automatiquement en mode d'affichage général une minute après la fin de la mesure.

MAINTENANCE

- Le R25 ne nécessite qu'un minimum d'entretien. Vérifiez toutefois régulièrement le serrage de toutes les vis et de tous les écrous.
- Nettoyez votre appareil à l'aide d'un chiffon ou d'une serviette humide. N'utilisez pas de solvant.
- N'enlevez pas les protections de l'appareil.
- Si nécessaire, nettoyez les chevilles intérieures des barres de sorte que le siège bouge le plus facilement et le plus silencieusement possible.

TRANSPORT ET RANGEMENT

Il est important de suivre ces instructions de déplacement. Autrement, vous risqueriez de fatiguer votre dos ou de créer des situations dangereuses.

Pour déplacer l'appareil, mettez-vous derrière l'appareil. Saisissez l'appareil par le rail et par le siège. Soulevez l'appareil de façon à ce qu'il repose sur ses roulettes de transport dans la partie avant du châssis. Déplacez l'appareil et reposez par terre en vous tenant tout le temps derrière l'appareil.

Transporter l'appareil avec l'attention extrême au-dessus des surfaces inégales, par exemple au-dessus d'une marche. L'appareil ne doit jamais être transporté dans les escaliers à l'aide des roulettes de transport, au lieu de cela il doit être porté. Le déplacement de l'équipement peut abîmer certains revêtements de sol, par ex. les parquets en bois. Dans ce cas, veillez à protéger le sol.

Pour lui garantir un fonctionnement impeccable, rangez votre appareil dans un endroit sec, sans variations de température importantes, et protégez-le contre les poussières.

Pour minimiser la tension sur le mécanisme de la résistance, nous recommandons que le bouton de réglage s'est mis à en 1 après chaque session.

CHANGEMENT DES PILES

L'affichage du compteur indique lorsque les piles doivent être changées. Détachez le couvercle du compartiment des piles du compteur par le côté inférieur et retirez les piles usagées. Insérez de nouvelles piles en respectant les polarités et refermez le couvercle.

DEFAUTS DE FONCTIONNEMENT

En dépit d'un contrôle continu de la qualité, l'appareil peut présenter des défauts ou des anomalies de fonctionnement provenant de certains de ses composants. Dans ce cas, il n'est pas cependant nécessaire d'aller faire réparer votre appareil, le problème pouvant bien souvent être résolu par simple changement de la pièce défectueuse.

Contactez votre distributeur au cas où vous remarqueriez un défaut ou un mauvais fonctionnement de votre l'appareil ou si vous avez besoin de pièces de rechange. Indiquez-lui la nature du problème, les conditions

d'utilisation, la date d'achat, le modèle et le numéro de série. Vous trouverez la liste des pièces détachées à la fin de ce mode d'emploi. Seules des pièces mentionnées dans la liste des pièces de rechange peuvent être utilisées dans l'appareil.

CARACTERISTIQUES TECHNIQUES

Longueur201 (94) cm
Hauteur 53 (53) cm
Largeur65 (124) cm
Poids 31,6 kg

Le R25 est conforme aux normes de sécurité et de précision EN (EN-957).

Du fait de sa politique de développement continu des produits, Tunturi se réserve le droit de modifier les spécifications sans préavis.

ATTENTION ! La garantie ne couvre pas les dommages dus à une négligence des instructions d'assemblage, de réglages ou de maintenance données dans ce mode d'emploi. Suivez les instructions scrupuleusement pour l'assemblage, l'utilisation et la maintenance de votre équipement. Des changements ou modifications non expressément approuvés par Tunturi rendront nulle l'autorité de l'utilisateur sur l'équipement.

Nous vous souhaitons d'agréables et nombreuses séances d'exercice avec votre nouveau partenaire d'entraînement Tunturi !

INHOUD

FITNESS TRAINING	20
MONITOR.....	21
OPSLAG EN VERPLAATSEN.....	23
ONDERHOUD.....	23
GEBRUIKSTORINGEN.....	23
TECHNISCHE GEGEVENS	24

OPMERKINGEN EN ADVIEZEN

Deze gids is een essentieel onderdeel van uw fietsergometer. Lees deze gids zorgvuldig door vóórdat u begint met monteren, gebruiken of onderhouden van uw fietsergometer. Bewaar de gids op een handige plaats. U kunt er, nu en in de toekomst, nuttige informatie uithalen die u nodig heeft voor het gebruik en het onderhoud van de apparatuur. Volg de instructies altijd met zorg op.

GEZONDHEID

- Laat uw conditie door uw huisarts controleren voordat u begint met trainen.
- Bij misselijkheid, duizeligheid of andere abnormale symptomen moet u direct stoppen met de training en een arts raadplegen.
- Om spierpijn te voorkomen, begint u de training met een warming up en sluit u die af met cooling-down. U sluit de training af met stretch oefeningen.

DE TRAININGSRUIMTE

- Plaats de trainer op een vlakke en stevige ondergrond. Bescherm de vloer onder de trainer tegen beschadiging.
- Zorg voor voldoende ventilatie tijdens de training, maar zorg dat u niet op de tocht zit.
- Tijdens de training is de toegestane gebruikstemperatuur tussen +10° en +35°C; voor opslag gelden de temperaturen tussen -15° en +40°C. De luchtvochtigheid in de trainings- of

opslagruimte mag nooit hoger dan 90 % zijn.

- Plaats de trainer op een zo vlak mogelijke ondergrond, met aan de voorkant, de achterkant en aan de zijkanten minstens 100 cm vrije ruimte.

HET GEBRUIK VAN DE TRAINER

• Ouders en verzorgers van kinderen moeten er rekening mee houden dat kinderen speels zijn en graag alles uitproberen. Dit kan ertoe leiden dat de trainer wordt gebruikt op een manier waarvoor deze niet bedoeld is. Als kinderen de trainer mogen gebruiken moet u als ouder of verantwoordelijke rekening houden met de lichamelijke en psychische ontwikkeling en vooral de aard van het kind. Vertel kinderen duidelijk hoe de trainer moet worden gebruikt en houd toezicht. De trainer is geen geval bedoeld als speelgoed.

• Controleer voor de training of het apparaat goed functioneert. Train nooit op een defect apparaat.

• De trainer mag uitsluitend door één persoon tegelijk gebruikt worden.

• Draag tijdens de training de juiste kleding en geschikte schoenen.

• Gebruik de trainer alleen als alle afschermingen en omkastingen geplaatst zijn.

• Voer alleen die onderhoudsverrichtingen en afstellingen uit die in deze handleiding beschreven zijn. Volg de onderhoudsinstructies van de handleiding nauwkeurig op.

• Gebruik de trainer uitsluitend voor het doel waarvoor deze is gemaakt en zoals hierna beschreven wordt.

• Zorg ervoor dat de monitor niet met water in aanraking komt. Veeg de monitor altijd af met een zachte en absorberende doek als er zweetdruppels op gevallen zijn. Reinig de monitor niet met oplosmiddelen.

• Druk op de toetsen met uw

vingertoppen; nagels kunnen de toetsmembranen beschadigen.

- Houd de monitor uit de zon; door zonlicht kunnen kleuren van de monitor verbleken.

- De trainer is geschikt voor personen met een lichaamsgewicht tot maximaal 135 kg.

- Nadere informatie over de garantie op uw trainingstoestel vindt u in het bijgesloten garantieboekje. De garantie vervalt bij schade ontstaan tijdens de verzending of door het niet volgen van de in deze handleiding gegeven instructies betreffende het monteren, afstellen en onderhoud van het apparaat.

OPMERKING OVER HET MONTEREN VAN HET APPARAAT

Begin met het uitpakken van de apparatuur. De gedetailleerde montage-instructies vindt u achter in deze gids. Volg de instructies in de volgorde die wordt aangegeven.

Controleer de inhoud van het pakket voordat u begint met de montage. Als er een onderdeel ontbreekt, neem dan contact op met de dealer. Vermeld het model, het serienummer van het apparaat en het nummer van het ontbrekende onderdeel. Achter in deze gids vindt u de onderdelenlijst. De inhoud van het hardwarepakket is aangegeven met een * in de lijst met onderdelen. De aanwijzingen 'links', 'rechts', 'voor' en 'achter' zijn gegeven vanuit de gebruikspositie van het apparaat. Bewaar het montagegereedschap; mogelijk heeft u het later nodig, bijvoorbeeld voor het afstellen van het apparaat. NB: voor de montage zijn twee mensen nodig.

De verpakking bevat een zakje met silicaatkorrels dat de apparatuur tijdens opslag en transport heeft beschermd tegen vocht. Dit zakje kan na het uitpakken van het apparaat worden weggegooid. Houd rondom de apparatuur ten minste een bewegingsruimte van 100cm. Wij raden u ook aan om het pakket uit te pakken en het product te monteren op een beschermde ondergrond.

Na montage van de apparatuur kunt u de batterijen aanbrengen aan de achterkant van de console.

WELKOM IN DE WERELD VAN TUNTURI TRAINING!

Uw keuze toont aan, dat u echt in uw gezondheid en conditie wilt investeren. Het bewijst ook, dat u kwaliteit en stijl belangrijk vindt en waardeert. Met deze Tunturi hometrainer heeft u een veilig, motiverend kwaliteitsproduct als trainingspartner gekozen. Wat uw trainingsdoel ook is, wij zijn ervan overtuigd dat de keuze van deze trainer de juiste is om uw doel te bereiken. Meer informatie over het gebruik van uw trainingsapparatuur en efficiënte training kunt u vinden op Tunturi's website WWW.ACCELLFITNESS.COM.

FITNESS TRAINING

Roeien is een zeer effectieve manier van trainen. Het is niet alleen goed voor de conditie van het hart- en vaatstelsel maar ook een goede manier om verschillende grote spiergroepen te ontwikkelen: zoals de spieren van rug-, armen, schouders, buik, en benen. Roeien maakt spieren soepel zonder de gewrichten te belasten en kan goed zijn voor mensen die vaak last hebben van nek- of schouderpijn. Trainen met een roeitrainer is een uitstekende aërobe oefening, die uitgaat van het principe dat er aangenaam en licht getraind wordt. Op die manier verbetert het zuurstofopname vermogen van het lichaam en daarmee het uithoudingsvermogen en de conditie. Het vermogen om vet als brandstof te gebruiken is afhankelijk van het zuurstofopname vermogen.

Aërobe training dient vooral aangenaam te zijn. Transpireren mag, buiten adem raken mag niet. U moet tijdens de training nog gewoon een gesprek kunnen voeren. Verder is het om een basisconditie op te bouwen aan te bevelen minimaal drie keer per week ongeveer 30 minuten te trainen. Als die conditie er eenmaal is, zijn enkele trainingen per week voldoende om die te handhaven. Voor het verbeteren van de conditie voert u het aantal trainingen per week op.

Trainen is bij uitstek geschikt om gewicht te verliezen, het is een belangrijke manier om het energiegebruik van het lichaam op te voeren. Een gezonde voeding helpt daarbij. Gezonde voeding in combinatie met dagelijkse training garanderen gewichtsverlies, waarbij de trainingsduur geleidelijk van 30 minuten naar een uur verlengd wordt. Bij overgewicht moet u, om het hart- en vaatsysteem niet direct zwaar te belasten, de training vooral op een laag weerstandsniveau beginnen en

de weerstand en het slagritme geleidelijk verhogen.

Korte trainingen met hoge weerstand vergroten spierkracht en spiermassa. Langere trainingen met lichte weerstand verbeteren zowel figuur als totale conditie.

Om te beginnen dient u te weten wat uw maximale hartslag is: dit is de hartslag die bij meer inspanning niet meer hoger wordt. Als u niet weet wat uw maximale hartslag is, kunt u de volgende formule als leidraad nemen:

220 – DE LEEFTIJD

Het maximum varieert van persoon tot persoon. De maximale hartslag daalt per jaar met gemiddeld één punt. Als u tot de risicogroepen behoort, vraag dan een arts uw maximale hartslag te bepalen. Om u te helpen met uw training, hebben wij drie verschillende hartslag niveaus geselecteerd.

BEGINNER: 50 tot 60 % van de maximale hartslag

Dit niveau is ook geschikt voor mensen die lijnen, mensen die herstellende zijn van een ziekte en mensen die lang niet getraind hebben. Drie trainingen van tenminste een halfuur per week zijn aan te bevelen. Regelmatig trainen stimuleert bij een beginner de ademhaling en bloedsomloop in sterke mate en zorgt al snel voor een merkbaar resultaat.

GEMIDDELDE SPORTER: 60 tot 70 % van de maximale hartslag

Een perfect niveau om de conditie te verbeteren en op peil te houden. Zelfs een redelijk normale inspanning - minimaal 3 trainingen van 30 minuten per week - heeft een positief effect op hart en longen. Om uw conditie verder te verbeteren kunt u het aantal keren trainen per week verhogen of de duur van uw training verlengen. Verhoog echter nooit beide tegelijkertijd!

GETRAINDE SPORTER: 70 tot 80 % van de maximale hartslag

Trainen op dit niveau is alleen weggelegd voor wie écht fit is en wie gewend is aan langdurige conditie trainingen.

INSTELLEN VAN DE WEERSTAND

U kunt de weerstand verhogen of verlagen door aan de afstelknop op het voorste frame te draaien. De weerstand wordt vergroot door de weerstandsknop op de stuurstang met de klok

mee in de + richting te draaien en verkleint door tegen de wijzers van de klok in de - richting te draaien. De knop is voorzien van een schaalverdeling van 1-8 zodat u altijd snel en makkelijk de ideale instelling kunt vinden.

TELEMETRISCHE HARTSLAG METING

Hartslag kan telemetrisch worden gemeten. Dit is het meest betrouwbare systeem, dat werkt met een borstband met meerdere elektrodes waarvan de gemeten waarden draadloos doorgeseind worden naar de monitor.

BELANGRIJK! Als u een pacemaker gebruikt, mag u de borstband alleen met toestemming van een arts gebruiken.

Wanneer u uw hartslag tijdens de training op deze manier wilt controleren, moeten de geribbelde elektrodes aan de binnenzijde van de borstband vochtig gemaakt worden (water). Plaats de zender juist onder de borst met de elastische band strak genoeg om tijdens het fietsen de elektrodes contact te laten houden met de huid, maar niet zo strak dat normaal ademen wordt belemmerd.

De zender geeft de hartslag automatisch door aan de monitor die zich niet verder dan één meter van de borstband mag bevinden. Wanneer de zender verder van de monitor verwijderd is, wordt het signaal te zwak om te ontvangen. Let er ook op, dat er niet meerdere personen met een borstband om binnen een straal van één meter rond de monitor staan, want de monitor ontvangt dan van elke elektrode een signaal en telt deze dan bij elkaar op. Door vocht en transpiratie op de elektrodes kan de zender aan blijven staan. Om lege batterijen te voorkomen maakt u de elektrodes na gebruik goed schoon en droog.

Denkt u eraan wat de trainingskleding betreft, dat bepaalde in de kleding gebruikte vezels (zoals polyester of polyamide) statische elektriciteit veroorzaken, wat bij de hartslagmeting problemen veroorzaken kan. Denkt u eraan dat mobiele telefoons, een teevee of andere elektronische apparaten een elektromagnetisch veld om zich heen vormen, wat bij de hartslagmeting problemen veroorzaken kan.

MONITOR



DRUKKNOPPEN

1. KEUZEWIEL

U kunt het keuzewiel op twee manieren gebruiken:

- A) Draaien aan het wiel (+/-).
- B) Het wiel indrukken (ENTER).

2. RESET

Op nul zetten van de trainingswaarden, beëindigen van de training en terug naar de uitgangspositie.

3. RECOVERY

Metten van de conditieshartslag.

4. START / STOP

Begin en einde van de training.

5. OFF

Zet de meter onmiddellijk in de slaapstand.

DISPLAYS

1. Snelheid (/ min)

Het huidig tempo in slagen per minuut, bovendien onder de numerieke display nog een kolom, die de snelheid weergeeft.

2. Trainingstijd

00:00 – 99:59 meting per seconde; h1:40 – h9:59 meting per minuut.

3. Hartslag gedurende de training

Het hartsymbool knippert met dezelfde snelheid als de gemeten hartslag. De pijlen in het display geven aan wanneer de hartslag de van tevoren ingestelde boven- of ondergrens overschrijdt.

4. Trainingsafstand (km / mile)

0.00 – 99.99 km / mijl

5. Fietssnelheid (kmh / mph)

00.0 – 99.9 km/h / mph

6. Energieverbruik (Kcal)

Schatting van het totaal energieverbruik gedurende de training, 0 – 9999 kcal

7. Tijd (Clock)

Werkelijke tijd

8. Temperatuurmeter (Temp C / Temp F)

Meting van de kamertemperatuur in Celsius of in Fahrenheit.

9. Vochtigheidsmeter (Humidity %)

Meting van de vochtigheidsgraad in de kamer, 0 – 100%

10. Display van de hoofdwaarde

De gekozen trainingswaarde staat met grote nummers midden op de monitor; de overige trainingswaarden kunnen tegelijkertijd gevolgd worden op bovenste regel van de monitor.

13. Cumulatieve hartslagdisplay

Indien bij de training een hartslagprogramma gebruikt wordt, geeft de display het profiel weer dat gedurende de hartslag training gevormd wordt.

14. Vervanging van de batterijen (Battery low)

Een waarschuwingsdisplay geeft aan wanneer de batterijen aan vervanging toe zijn.

GEBRUIK VAN DE MONITOR

De monitor gaat aan door het indrukken van een willekeurige knop van de monitor. Indien het apparaat langer dan 5 minuten niet gebruikt wordt, schakelt de monitor automatisch uit.

Maak een keuze uit de betreffende meeteenheden met behulp van de schakelaar op de achterkant van de monitor. Maak een keuze uit metrische eenheden (km, km/h, Celsius) of Engelse eenheden (mijlen, mph, Fahrenheit).

TIJD INSTELLEN

Nadat u de ENTER+RESET 2 seconden heeft ingedrukt, wordt de meter opnieuw gestart en kunt u het KEUZEWIEL gebruiken om de tijd in te stellen.

MANUAL TRAINING

Bij handmatige instelling van het trainingsniveau kan het weerstandsniveau bijgesteld worden gedurende de training met behulp van de afstelknop.

1. Er kan direct met de training begonnen worden door op de START / STOP knop te drukken. Stel het weerstandsniveau in tijdens de training door op de afstelknop te drukken.
2. De training kan ook begonnen worden met het instellen van de streefwaarden voor de training. Druk op de pijltjesknoppen totdat onder het hoofdnummerdisplay het woord

Manual verschijnt.

3. Druk vervolgens op de ENTER –knop, waarna de streefwaarden ingesteld kunnen worden.
4. TIME = instellen van de gewenste duur van de training met behulp van de + / - -knoppen. Met de ENTER –knop door naar de volgende instelling.
5. DISTANCE = instellen van de gewenste afstand voor de training met behulp van de + / - -knoppen. Met de ENTER –knop door naar de volgende instelling.
6. KCAL = instellen van het gewenste energieverbruik voor de training met behulp van de + / - -knoppen. Met de ENTER –knop door naar de volgende instelling.
7. PULSE = instellen van de bovenwaarde voor de hartslag gedurende de training met behulp van de + / - -knoppen: op de display ziet men dan een hart en een pijl omhoog. Met de ENTER –knop door naar de instelling van de onderwaarde voor de hartslag gedurende de training: op de display ziet men dan een hart en een pijl omlaag. Stel de waarde in voor de ondergrens van de hartslag gedurende de training met behulp van de + / - -knoppen. Indien uw hartslagwaarde buiten de gestelde grenzen komt, geeft de monitor dit aan door een knipperende pijl behorende bij de overschreden grens. Met de ENTER –knop terug naar de trainingstijd (TIME) instelling.
8. U kunt de training ook beginnen door de START / STOP –knop in te drukken. Begin en stel indien nodig het weerstandsniveau in gedurende de training.
9. U kunt de training onderbreken door de START / STOP –knop in te drukken (op de display van de monitor verschijnt dan de tekst Over). De gegevens van het programma blijven 5 minuten in het geheugen van de monitor, zodat u met de onderbroken training verder kunt gaan door nogmaals op de START / STOP –knop te drukken.
10. U kunt ophouden met de training vanuit de onderbrekingsfase door op de RESET –knop te drukken.
11. Indien de vooraf ingestelde streefwaarden bereikt worden, geeft de monitor een geluidssignaal en de display begint te knipperen wanneer de streefwaarde bereikt is. Stel de display op nul door het indrukken van de START / STOP –knop en vervolgens de RESET –knop.

RECOVERY – METEN VAN DE

CONDITIEHARTSLAG

Meet uw conditieharts slag bij het beëindigen van de training.

1. U meet uw conditieharts slag door op de RECOVERY –knop te drukken. Op de display verschijnt dan de tekst Recovery.
2. De meting start automatisch en duurt twee minuten.
3. Aan het einde van de meettijd verschijnt het herstelpercentage op het scherm. Hoe kleiner dit percentage is, des te beter is uw conditie. Denkt u er wel om, dat het resultaat afhankelijk is van uw hartslagsnelheid bij het begin van de meting, en dat het resultaat zeer persoonlijk is en in geen geval direct vergelijkbaar met het resultaat van andere personen. Om de betrouwbaarheid van de meting van de hartslagreactie te verbeteren, moet u altijd proberen om de meting zo nauwkeurig mogelijk en altijd op dezelfde wijze uit te voeren; begin de meting zoveel mogelijk op hetzelfde hartslagniveau.

OPSLAG EN VERPLAATSEN

Verplaats de roeitrainer op de volgende manier: ga achter de roeitrainer staan en pak met de ene hand de rail en met de andere het roeizitje vast. Til het apparaat op zodat hij op de transportwielen rust en verrijdt de roeitrainer. Op deze manier wordt uw rug niet onnodig belast.

BELANGRIJK! Extra voorzichtigheid is geboden bij het verplaatsen van de trainer over een oneffen vloer of over een drempel. Ook mag de trainer beslist nooit op de wielen over een trap gereden worden, in dit geval moet de trainer worden opgetild. Pas op dat de vloer niet beschadigt wanneer u het toestel verplaatst. Bescherm tere vloermaterialen zoals parketvloeren enz.

Plaats de roeitrainer in een droge, stofvrije ruimte met minimale temperatuurverschillen.

ONDERHOUD

- De R25 hebben weinig onderhoud nodig. Controleer regelmatig of alle bouten en moeren vastzitten.
- Maak de trainer na gebruik schoon met een vochtige doek, gebruik daarbij geen oplosmiddelen. Om inwerking van transpiratievocht te voorkomen is het raadzaam de R25 regelmatig met een doek met Teflonspray, Car-cleaner of Cockpit Spray schoon te wrijven.
- Verwijder nooit de kunststof behuizing van het apparaat!
- Reinig de binnenzijde van de rail indien nodig zodat het zitje zo vlot en geruisloos mogelijk kan bewegen.

BATTERIJEN VERWISSELEN

De meter geeft aan wanneer de batterijen vervangen dienen te worden. Verwijder de klep van het batterijcompartiment aan de achterzijde van de monitor en verwijder de oude batterijen. Plaats nieuwe batterijen in de houder (let op de richting van de batterijen) en plaats de klep er terug op. Gebruik geen oplaadbare batterijen omdat deze een afwijkend voltage hebben.

GEBRUIKSSTORINGEN

Ondanks voortdurende kwaliteitscontroles, kunnen er defecten of storingen optreden die het gevolg zijn van het niet goed functioneren van onderdelen die in de trainer zijn gebruikt. In de meeste gevallen is het onnodig om het gehele apparaat ter reparatie aan te bieden, aangezien de storing meestal kan worden opgelost door het vervangen van het defecte onderdeel.

Mochten er storingen optreden bij het gebruik van de trainer, neem dan onmiddellijk contact op met uw Tunturi dealer. Vermeldt daarbij altijd het model en het serienummer van uw Tunturi trainer, de eventuele storingscode en door wie de trainer is geïnstalleerd.

Vermeldt bij het bestellen van onderdelen het model, het serienummer van het apparaat en het nummer van het onderdeel. Op de laatste pagina's van deze gids vindt u de onderdelenlijst.

TECHNISCHE GEGEVENS

Lengte.....201 (94) cm
Breedte 53 (53) cm
Hoogte65 (124) cm
Gewicht 31,6 kg

De R25 voldoet aan EN precisie- en veiligheidsnormen (EN-957).

Tunturi is gerechtigd om specificaties te veranderen zonder daarover nader te berichten.

BELANGRIJK! De garantie vervalt bij schade veroorzaakt door het niet volgen van de instructies in deze gids betreffende de montage, het instellen en het onderhoud van de apparatuur. De instructies dienen bij het in elkaar zetten, het onderhoud en het gebruik, zo zorgvuldig mogelijk te worden gevolgd. Veranderingen of modificaties, die niet door Tunturi zijn goedgekeurd, laten de Tunturi product aansprakelijkheid geheel vervallen.

Wij wensen u veel plezierige trainingen met uw nieuwe Tunturi trainingspartner!

INDICE

ALLENAMENTO.....	26
PANNELLO.....	27
TRASPORTO E IMMAGAZZINAGGIO	29
MANUTENZIONE	29
DATI TECNICI	29

AVVERTENZE

Questo libretto di istruzioni è una parte essenziale della tua attrezzatura da ginnastica. Leggi con attenzione quanto scritto in questa guida, prima del montaggio dei pezzi e prima di fare uso dell'attrezzo o di effettuarne qualunque manutenzione. Ti raccomandiamo pure di conservare la presente guida in un luogo sicuro e a portata di mano; essa ti fornirà, adesso e nel futuro, tutte le istruzioni necessarie all'uso e alla manutenzione della tua attrezzatura da ginnastica. Tali istruzioni devi seguirle sempre con molta attenzione!

VOSTRA SALUTE

- Prima di iniziare l'allenamento consultate un medico per controllare la vostra condizione fisica.
- Se avvertite disturbi, nausea o altri sintomi anormali durante l'esercizio, smettete immediatamente e consultate un medico.
- Onde evitare dolori muscolari, fate alcuni esercizi di stiramento prima dell'allenamento.

AMBIENTE

- L'attrezzo non è stato progettato per essere usato all'aperto.
- Posizionare l'attrezzo su una superficie la più piana possibile.
- Assicuratevi che l'ambiente dove vi allenate abbia ventilazione adeguata e non sia umido.

- Consigliamo di conservare l'attrezzo, quando in uso, a temperatura ambiente da +10 a +35°C. L'attrezzo può essere immagazzinato da -15 a + 40°C. Il tasso d'umidità non deve mai superare il 90 %.

- Lasciate 100 cm di spazio circa l'attrezzatura.

USO DELL'ATTREZZO

- Se si permette ai bambini di usare l'attrezzo, si deve sempre tenere conto del loro sviluppo fisico e mentale e del loro temperamento. Devono essere istruiti al corretto uso dell'attrezzo e controllati. Accertarsi che non vi siano animali domestici vicino all'apparecchio in movimento o durante l'esercizio.

- Prima dell'uso assicuratevi che l'attrezzo funzioni correttamente. Non usate un attrezzo difettoso.

- Premi i tasti con il polpastrello: le unghie possono danneggiare la membrana del display.

- Non usate mai l'attrezzo con carter smontati.

- Per evitare danni consigliamo di collocare l'attrezzo su una superficie protettiva.

- L'attrezzo può essere usato da una persona sola alla volta.

- Proteggi il pannello dell'utente dalla luce del sole. La superficie del pannello, se bagnata dal sudore, deve sempre essere asciugata.

- Indossate abbigliamento appropriato durante l'allenamento.

- Non tentate riparazioni e manutenzioni diverse da quelle descritte da questo manuale.

- L'attrezzo non può essere usato da persone, il cui peso superi i 135 kg.

- Per maggiori informazioni sulle condizioni di garanzia dell'attrezzo, consultare il libretto di garanzia allegato.

La garanzia non copre danni derivati da negligenze derivate nelle regolazioni

o nelle manutenzioni descritte in questo manuale!

NOTA SUL MONTAGGIO DELL'APPARECCHIO

Disimballare l'apparecchio. Le istruzioni di montaggio dettagliate si trovano in fondo alla presente guida. Seguire le istruzioni nell'ordine indicato.

Prima di iniziare l'assemblaggio, controllare il contenuto della confezione. Se manca qualche parte, contattare il proprio rivenditore indicando modello, numero di serie dell'apparecchio e numero di ricambio della parte mancante. In fondo alla presente guida si trova un elenco dei ricambi. I componenti presenti nella confezione sono contrassegnati con un * nell'elenco dei ricambi. Le direzioni sinistra, destra, fronte e retro sono definite in rapporto alla posizione in cui si trova la persona durante l'allenamento. Conservare gli attrezzi di montaggio, perché potrebbero tornare utili, ad esempio per regolare l'apparecchio. Si tenga presente che per il montaggio sono necessarie due persone.

L'imballaggio è inclusivo di sacchetto riempito con silicati, per l'assorbimento dell'umidità quando si ripone l'apparecchio e durante il trasporto. Eliminare il sacchetto dopo il disimballaggio dell'apparecchio. Mantenere uno spazio di libero di almeno 1 mt. intorno all'apparecchio. Raccomandiamo inoltre di aprire la confezione e assemblare il prodotto su una base protettiva.

Dopo aver montato l'apparecchio, inserire le batterie nel retro della console.

SEI BENVENUTO NEL MONDO DEGLI ALLENAMENTI TUNTURI!

Hai fatto un'ottima scelta. Si vede che tieni alla tua forma fisica. Indubbiamente sei una persona esigente che richiede il meglio in quanto a qualità e stile. Nella Tunturi troverai il tuo partner ideale. Alta tecnologia, sicurezza e stimolo per sempre migliori prestazioni sono le sue caratteristiche. Qualunque sia il tipo di allenamento che intendi praticare, questo è lo strumento fatto per te. Nel fascicolo unito al tuo attrezzo Tunturi troverai le informazioni necessarie per un allenamento efficace. Puoi anche consultare il sito internet della Tunturi (WWW.ACCELLFITNESS.COM).

ALLENAMENTO

Vogare è uno sport molto efficace. Oltre a rinforzare il cuore e migliorare la circolazione, sviluppa la muscolatura principale: schiena,

addome, braccia, spalle, bacino e gambe. Vogare migliora anche la flessibilità muscolare senza stressare le giunture ed è anche raccomandato per chi soffre di dolori nella regione di collo e spalle.

Vogare è un eccellente esercizio aerobico molto meglio se di bassa intensità ma di lunga durata. L'allenamento aerobico migliora la capacità polmonare, che migliora la resistenza e la condizione fisica in generale. La capacità del corpo di bruciare grasso è direttamente dipendente alla capacità di immissione dell'ossigeno.

L'esercizio aerobico deve soprattutto essere divertente. Aumenta la respirazione ma non dovrete mai andare in debito di ossigeno durante l'allenamento. Dovreste ad esempio poter parlare senza problemi. Dovreste allenare almeno tre volte la settimana per 30 minuti per raggiungere un discreto livello che per essere migliorato richiede solo l'incremento delle sessioni di allenamento.

L'allenamento aerobico si accompagna anche alle diete perché è l'unico modo per incrementare l'energia spese dal corpo. Una persona che si sottopone ad una dieta dovrebbe accompagnarla ad un allenamento regolare. Potete iniziare a ritmo blando e bassa resistenza perché un esercizio troppo intenso può provocare in una persona sovrappeso un affaticamento del cuore.

Brevi sequenze a forte carico aumentano la potenza e la massa muscolare, lunghe sequenze a carico ridotto snelliscono il corpo e aumentano la resistenza dei muscoli.

Per prima cosa, quindi, devi sapere qual'è il livello massimo di battiti cardiaci, ovverossia il livello, oltre il quale le pulsazioni non aumentano, pur aggiungendo sforzi. Se tu non conosci il numero massimo delle tue pulsazioni, puoi usare la seguente formula indicativa:

220 - L'ETÀ

Naturalmente, il valore massimo effettivo varia da persona a persona. Il numero massimo di pulsazioni cardiache diminuisce, in media, di un punto ogni anno. Se appartieni ad un gruppo a rischio, chiedi a un medico di misurare il tuo livello massimo di pulsazioni cardiache. Abbiamo definito tre differenti aree di pulsazioni, per aiutarti a stabilire il tuo livello di training.

PRINCIPIANTI: 50-60 % del massimo di pulsazioni

Questo livello è indicato anche per i weight-

watchers, per i convalescenti e per coloro che non hanno fatto allenamento per lungo tempo. Si raccomandano tre periodi di training ininterrotto alla settimana, ognuno della durata di almeno mezz'ora. Un esercizio regolare migliora notevolmente la performance respiratoria e circolatoria del principiante, tanto da farti sentire presto molto più in forma.

TRAINER: 60-70 % del massimo di pulsazioni

Questo livello è perfetto per chi voglia migliorare il proprio fitness e mantenerlo in ottime condizioni. Uno sforzo ragionevole e bilanciato migliora notevolmente le funzioni cardiovascolari e respiratorie; il training deve durare per almeno 30 minuti e deve essere fatto come minimo tre volte alla settimana. Per migliorare ulteriormente la tua condizione fisica, puoi aumentare la frequenza o l'intensità dello sforzo, ma non entrambi allo stesso tempo!

TRAINER ATTIVO: 70-80 % del massimo di pulsazioni

Le esercitazioni a questo livello vanno bene solo per coloro che hanno raggiunto una forma quasi perfetta e devono essere precedute da lunghi periodi di allenamenti "endurance".

REGOLAZIONE DELLA RESISTENZA

È possibile aumentare o diminuire la resistenza ruotando la manopola di regolazione sul telaio anteriore. Per aumentare e diminuire la resistenza, girare la manopola posta alla base del manubrio in senso orario (direzione +) per aumentare la resistenza e in senso antiorario (direzione -) per diminuirla. Come riferimenti rifarsi alla scaletta graduata (1-8) posta sopra la manopola.

MISURAZIONE DELLA FREQUENZA CARDIACA CON LA CINTURA

Si possono misurare le pulsazioni in telemetria: il R25 ha inserito nel manubrio un ricevitore Polar-compatibile. La cintura trasmettitore non-codice può essere comprata come optional. La misurazione telemetrica è la più affidabile, gli elettrodi rilevano e trasmettono le pulsazioni dal cuore al pannello per mezzo di un campo elettromagnetico.

ATTENZIONE! Coloro i quali sono portatori di pacemaker devono consultare il proprio medico, che indicherà o meno la possibilità di utilizzare l'attrezzo con questo tipo di cardiofrequenzimetro.

Se volete misurare le pulsazioni in questo modo durante l'allenamento, inumidite gli elettrodi in gomma posti sulla cinghia elastica con saliva e acqua. Montare il trasmettitore e regolare la tensione della cintura flessibile sotto il livello del petto in modo che gli elettrodi siano a contatto con la pelle durante l'esercizio. Allacciate la cintura sotto al petto abbastanza stretta in modo che gli elettrodi rimangano a contatto con la pelle, ma non così stretta da rendere difficile la respirazione. Il campo di trasmissione massimo o è circa 1 m. nella portata di trasmissione. Se allacciate la cintura sopra una maglietta, inumiditela leggermente nei punti di contatto degli elettrodi.

Se gli elettrodi non sono umidi, il vostro battito non appare sullo schermo. Se gli elettrodi sono asciutti, inumiditeli nuovamente. Se ci sono parecchi sistemi di rilevazione telemetrica vicini, è bene che la distanza tra loro sia di almeno 1.5 m. Il trasmettitore si accende da solo appena rileva i primi battiti. Sudore o creme possono mantenerlo acceso anche dopo l'uso consumando la batteria. Ecco perché è bene pulire gli elettrodi dopo l'uso.

Prima di scegliere gli abiti da ginnastica, tieni presente che alcune fibre tessili in essi usate (esempio poliesteri e poliamidi) sono produttrici di elettrostaticità, e ciò può inficiare l'affidabilità della misura pulsazioni. Tieni anche presente che telefono cellulare, TV ed altri apparati elettrici formano all'intorno un campo elettromagnetico, con conseguenti problemi nella misura del battito cardiaco.

PANNELLO



TASTI

1. MANOPOLA DI SELEZIONE

La manopola di selezione funziona in due modi:

- A) Tramite rotazione (+ / -).
- B) Tramite pressione (ENTER).

2. RESET

Azzeramento dei valori di allenamento, conclusione dell'esercizio e ritorno allo stato iniziale.

3. RECOVERY

Misurazione della frequenza cardiaca di recupero.

4. START / STOP

Inizio o conclusione dell'esercizio.

5. OFF

Il contatore passa immediatamente in modalità di riposo.

SCHERMATE

1. Velocità di esecuzione (/min)

Numero di vogate per minuti. Oltre alla visualizzazione numerica, la schermata presenta anche una rappresentazione grafica della velocità.

2. Durata esercizio

00:00- 99:59: misurazione ogni 1 secondo, h1:40-h9:59 misurazione ogni 1 minuto.

3. Frequenza cardiaca

L'icona del cuore lampeggia in base al ritmo della frequenza cardiaca. Le icone che raffigurano le frecce indicano se la frequenza supera per eccesso o difetto il valore di riferimento impostato.

4. Distanza d'esercizio (km / miglia)

0,00-99,99 km / miglia

5. Velocità di esercizio (rpm / km/h / mph)

00.0-99.9 km/h / mph

6. Consumo d'energia (kcal/kJ)

Consumo energetico calcolato durante l'esercizio, 0-9999 kcal.

7. Orologio (Clock)

Orologio.

8. Termometro (Temp C / Temp F)

termometro per la misurazione della temperatura ambientale, gradi Celsius o Fahrenheit.

La temperatura ambiente viene visualizzata in gradi Celsius. Questa schermata viene visualizzata nel momento in cui il pannello passa alla modalità di risparmio energetico.

9. Misurazione umidità (Humidity %)

Misurazione dell'umidità ambientale, 0-100%

10. Display numerico principale

Il valore di allenamento selezionato viene visualizzato ingrandito nella parte centrale del pannello; gli altri valori possono essere seguiti contemporaneamente nella riga superiore del display numerico.

Il valore di allenamento selezionato viene visualizzato ingrandito al centro della schermata del pannello, gli altri valori relativi all'allenamento vengono visualizzati nella riga inferiore del display numerico.

11. Schermata frequenza cardiaca cumulativa

Se durante l'allenamento si utilizza il cardiofrequenzimetro, sul display sarà visualizzato il profilo della frequenza cardiaca registrata.

12. Sostituzione pile (Battery low)

Questo messaggio avverte l'utente della necessità di sostituire le pile.

UTILIZZO DEL PANNELLO

Per attivare il pannello basta digitare uno dei suoi tasti. Se il pannello rimane inutilizzato per 5 minuti, si spegne automaticamente.

Selezionare l'unità di misurazione, utilizzando il selettore che si trova sul retro del pannello. È possibile selezionare tra il sistema metrico (km, km/h, Celsius) o quello britannico (miglia, mph, Fahrenheit).

IMPOSTARE ORA

Dopo aver premuto il pulsante RESET+ENTER per due secondi, il contatore si riavvia ed è possibile usare la MANOPOLA DI SELEZIONE per impostare ora.

ALLENAMENTO-MANUAL

Nella modalità di esercizio manuale, è possibile regolare il livello di resistenza durante l'esercizio con la manopola di controllo.

1. Si può iniziare l'esercizio immediatamente premendo il pulsante START/STOP. Regolare il livello di resistenza durante l'esercizio con la manopola di controllo.
2. Si può iniziare l'esercizio, regolando un valore di riferimento. Pressare i tasti +/- fino a visualizzare il testo Manual nella schermata numerica principale.
3. Pressare il tasto ENTER per aprire la schermata di impostazione dei valori di riferimento.
4. TIME = serve per impostare la durata dell'esercizio +/- . Pressare il tasto ENTER per passare all'operazione di impostazione successiva.
5. DISTANCE = serve per impostare la distanza di allenamento desiderata con i tasti +/- . Pressare il tasto ENTER per passare all'operazione di impostazione successiva.
6. KCAL = serve per impostare il valore di consumo energetico desiderato con i tasti +/- . Pressare il tasto ENTER per passare all'operazione di impostazione successiva.
7. PULSE = serve per impostare la soglia massima di frequenza cardiaca raggiungibile durante l'allenamento. Utilizzare i tasti + / - : la schermata visualizza le icone di un cuore e di una freccia rivolta verso l'alto. Pressare il tasto SET per impostare la soglia minima della frequenza cardiaca: la schermata visualizza le icone di un cuore e di una freccia rivolta verso il basso. Impostare la soglia minima di frequenza cardiaca raggiungibile durante l'allenamento. Utilizzare i tasti + / - : Se la frequenza cardiaca dovesse superare i valori di riferimento, allora il valore della soglia visualizzato, inizierà a lampeggiare. Passare poi all'impostazione della durata dell'esercizio (TIME), premendo il tasto ENTER.
8. Per iniziare l'allenamento si può premere direttamente il tasto START/STOP. Iniziare e, se necessario, regolare il livello di resistenza.
9. È possibile interrompere l'esercizio, premendo il tasto START/STOP (nella schermata viene visualizzato il testo Over). I dati del programma rimangono nella memoria del pannello per 5 minuti; ciò significa che si può riprendere l'allenamento interrotto, premendo nuovamente i tasti START/STOP.
10. Per finire l'allenamento basta premere il tasto RESET quando il pannello si trova in modalità stand-by (allenamento interrotto).
11. Se è stato impostato un valore di riferimento, il pannello emetterà un segnale acustico e la schermata numerica ed il valore inizieranno a lampeggiare. Azzerrare la schermata, premendo prima il tasto START/

STOP e poi il tasto RESET.

RECOVERY – MISURAZIONE FREQUENZA DI

RECUPERO

Serve per misurare la frequenza cardiaca di recupero alla fine dell'allenamento.

1. Per passare alla misurazione della frequenza cardiaca di recupero, bisogna premere il tasto RECOVERY. Il pannello visualizza il testo RECOVERY.
2. La misurazione inizia automaticamente e dura due minuti.
3. Alla fine della misurazione, verrà visualizzato il rapporto della frequenza cardiaca di recupero come valore percentuale. Minore sarà questo valore, migliore sarà la condizione fisica dell'utente. Ricordate che i valori rilevati sono collegati con la frequenza cardiaca iniziale e che i vostri risultati sono personali e non confrontabili con quelli degli altri. Al fine di migliorare l'attendibilità della misurazione frequenza cardiaca di recupero, cerca sempre di standardizzare l'atto collegato alla misurazione, il più precisamente possibile; incomincia a misurare, con estrema precisione, partendo da uno stesso livello pulsazioni.
4. Dalla misurazione della frequenza cardiaca di recupero si può passare alla schermata principale, premendo il tasto RESET; il pannello tornerà automaticamente alla schermata principale un minuto dopo la fine della misurazione.

TRASPORTO E IMMAGAZZINAGGIO

Spostare il vogatore secondo queste istruzioni:

Impugnare il telaio da dietro con una mano, tenendo il sedile con l'altra. Sollevare il telaio in modo da che appoggi sulle ruote e spostarlo come una cariola.

Appoggiarlo nuovamente al pavimento tenendo anche il sedile, sempre rimanendo dietro l'attrezzo.

Seguite queste istruzioni perché tentare di alzare o spostare l'attrezzo in altro modo può causarvi strappi alla schiena o incidenti.

IMPORTANTE! Proteggere il pavimento durante le operazioni di spostamento del dispositivo.

Per prevenire mal funzionamenti lasciate l'attrezzo in un posto non umido e protetto dalla polvere.

Per minimizzare lo sforzo sul meccanismo di resistenza, noi raccomandiamo che la manopola di resistenza è messa posizionare 1

dopo ogni sessione.

MANUTENZIONE

- Il R25 richiede minima manutenzione. Controllare ogni tanto che tutte le viti e i bulloni siano stretti.
- Pulire l'attrezzo con uno straccio morbido. Non usare solventi.
- Non rimuovere mai l'involucro di protezione dell'attrezzo.
- Pulire le superfici interne della guida se necessario, in modo che la sella si muova il più uniformemente e delicatamente possibile.

SOSTITUZIONE DELLE BATTERIE

Il pannello indicherà quando è necessario sostituire le pile. Rimuovere il coperchio del vano batterie dal retro del contatore e rimuovere le batterie usate. Posizionare le batterie nuove nel vano (prestare attenzione alla direzione delle batterie) e rimontare il coperchio.

DISTURBI DURANTE L'USO

Nonostante un continuo controllo della qualità, l'attrezzatura potrebbe talvolta presentare difetti e malfunzionamenti, causati da qualche singolo componente. Nella maggior parte dei casi, non c'è bisogno di mettersi a far riparare tutta l'attrezzatura, ma generalmente basta sostituire il pezzo o la parte difettosa.

Se l'attrezzo non funziona bene durante l'uso o se si ha bisogno dei pezzi di ricambio, contatta il tuo rivenditore Tunturi indicando che cosa ti tratta, le condizioni in cui lo usi, la data di acquisto, il modello e il numero di serie del tuo attrezzo. Si raccomanda di utilizzare sempre pezzi di ricambio originali.

DATI TECNICI

Lunghezza.....201 (94) cm
Altezza 53 (53) cm
Larghezza65 (124) cm
Peso31,6 kg

Il R25 è un attrezzo in linea con gli standard EN per la precisione e la sicurezza (EN-957).

A causa di una politica volta a un continuo sviluppo del prodotto, la Tunturi si riserva il diritto di effettuare cambiamenti nelle caratteristiche degli attrezzi, senza darne relativo preavviso.

ATTENZIONE! La garanzia non copre danni derivanti da inosservanza, nel montaggio, regolazione e manutenzione, delle istruzioni fornite nella presente guida. Le istruzioni per montaggio, uso e manutenzione della tua attrezzatura, devono essere seguite con molta cura. Non rispondiamo di cambi o modifiche non espressamente approvate da Tunturi.

Ti auguriamo di avere la gioia di fare tanti allenamenti, insieme al tuo nuovo amico Tunturi!

INDICE

EJERCICIOS CON TUNTURI	32
CONTADOR	33
TRANSPORTE Y ALMACENAMIENTO	35
MANTENIMIENTO	35
DATOS TECNICOS	36

INFORMACION Y PRECAUCIONES

Lea atentamente esta guía antes del montaje, uso o mantenimiento de su equipo de ejercicio. Mantenga esta guía en lugar seguro; le brindará hoy y en el futuro la información que necesite para usar y mantener su equipo. Siga siempre atentamente sus instrucciones.

OBSERVACIONES SOBRE SU SALUD

- Antes de empezar a hacer cualquier ejercicio, consulte con un médico y hágase un chequeo.
- Si durante el ejercicio experimenta náuseas, mareos u otros síntomas anormales, pare inmediatamente y consulte con un médico.
- Para evitar agujetas y tirones musculares empiece el ejercicio calentando y termínelo poco a poco (pedaleando lentamente a menos resistencia). No olvide hacer ejercicios de estiramiento después de usar la máquina.

OBSERVACIONES SOBRE EL EJERCICIO

- La máquina no se debe usar a la intemperie.
- Es una buena idea colocar la máquina sobre una base protectora. Coloque la máquina sobre una superficie dura y horizontal.
- Compruebe si el lugar donde hace el

ejercicio tiene buena ventilación. Para evitar resfriados, evite las corrientes en el lugar del ejercicio.

- En entrenamiento, la máquina tolera una temperatura ambiente de entre +10°C y +35°C. La máquina también puede almacenarse a temperaturas de 15°C a +40°C. La humedad relativa ambiente nunca debe exceder el 90 %.
- Deje unos 100 cm de espacio detrás, delante y a cada lado de la máquina.

OBSERVACIONES SOBRE LA MÁQUINA

- Si se deja a los niños usar la máquina, primero se los debe enseñar a usarla bien y después se les debe vigilar, teniendo en cuenta el desarrollo físico y mental del niño y su personalidad. Compruebe que no haya animales domésticos cerca del aparato cuando lo desplace o cuando esté realizando un ejercicio.
- Antes de empezar a usar la máquina, compruebe si todos sus mecanismos funcionan bien. No use la máquina si observa alguna anomalía.
- Esta máquina sólo debe ser utilizada por una persona cada vez.
- Cuando haga ejercicio, lleve ropa y calzado adecuados.
- Pulse las teclas con la punta del dedo, las uñas pueden dañar la membrana de las teclas.
- Mantenga las manos alejadas de las partes móviles de la máquina.
- Proteja el contador de la luz solar. Seque siempre la superficie del contador si caen unas gotas de transpiración sobre el contador.
- No intente hacer revisiones o ajustes de la máquina que no estén descritos en este Manual.
- El peso máximo de un usuario de esta máquina es de 135 kg.

- Encontrará información más detallada sobre la garantía de su equipo de ejercicio en el libro de garantía suministrado con el equipo. Por favor anótese que la garantía no cubre daños debidos a transportes o negligencias de ajuste o no seguir instrucciones de mantenimiento descritas en este manual.

NOTA SOBRE EL MONTAJE DE LA MÁQUINA

En primer lugar, desempaquete la máquina. En el reverso de esta guía, encontrará instrucciones de montaje detalladas. Siga las instrucciones en el mismo orden en que se presentan.

Antes del montaje, compruebe que todos los elementos se encuentran en el paquete. Si faltase alguna pieza, póngase en contacto con su proveedor y proporciónale el modelo, el número de serie de la máquina y número de pieza de repuesto de la pieza ausente. En el reverso de esta guía encontrará una lista de piezas de repuesto. Los contenidos del kit de hardware están marcados con * en la lista de piezas de repuesto. Las direcciones derecha, izquierda, adelante y atrás se definen desde la posición de ejercicio. Conserve las herramientas de montaje, ya que podría volver a necesitarlas; por ejemplo, para ajustar la máquina. Tenga en cuenta que para el montaje de la máquina son necesarias dos personas.

El paquete incluye un saco de silicato para absorber la humedad durante el almacenamiento y transporte. Puede desecharlo una vez que haya abierto el paquete. Deje unos 100 cm de espacio alrededor de la máquina. También se recomienda desembalar el paquete y montar el producto en una superficie protegida.

Tras montar la máquina, introduzca las pilas en la parte posterior del monitor.

BIENVENIDO AL MUNDO TUNTURI DEL EJERCICIO

Su elección demuestra que Ud. realmente está dispuesto a invertir en su bienestar y en su condición física, y asimismo sabe apreciar la calidad y el estilo. Con el equipamiento de ejercicio Tunturi, Ud. ha elegido como compañero de entrenamiento un producto de alta calidad, seguro y motivador. Cualquiera sea su meta, puede estar seguro de que este equipo le acompañará hasta cumplirla. Encontrará información sobre el uso de su equipo de ejercicios y todo lo inherente a un

entrenamiento eficiente en el sitio de Tunturi en Internet (WWW.ACCELLFITNESS.COM).

EJERCICIOS CON TUNTURI

Remar es una forma efectiva de ejercicio. Además de fortalecer el corazón y mejorar la circulación, desarrolla varios grupos de músculos largos: la espalda, el abdomen, los brazos, los hombros y también la pelvis y las piernas. Remar también desarrolla la flexibilidad muscular sin el esfuerzo de las articulaciones, y es una forma de ejercicio recomendado para aquellos que sufren dolores en la zona del cuello y hombros. Trabajar usando una máquina de remo es un ejercicio aeróbico excelente, el principio de este ejercicio debería ser adaptado a un ejercicio ligero, pero de larga duración. El ejercicio aeróbico está basado en mejorar la entrada máxima de oxígeno en el cuerpo, lo cual repercute en mejorar la resistencia y el fitness. La habilidad del cuerpo de quemar grasa es una energía directamente dependiente de su capacidad de entrada de oxígeno.

El ejercicio aeróbico debería ser para todos agradable. Usted debería sudar, pero usted no debería quedar fuera de juego durante el ejercicio. Usted debería hacer ejercicio al menos durante tres veces a la semana, 30 minutos en una vez, para alcanzar el nivel básico de fitness. Mantener este nivel requiere un poco de ejercicio cada semana. Una vez que la condición básica ha sido alcanzada, es mejorable fácilmente, simplemente incrementando el número de sesiones de ejercicio.

El ejercicio siempre es recompensado con pérdida de peso, porque este es el único modo de incrementar la energía gastada en el cuerpo. Esto es porque siempre merece la pena combinar ejercicio con una dieta sana. Una persona que hace ejercicio debería hacerlo diariamente – en un principio 30 minutos o menos en una vez, gradualmente incrementar el trabajo diario hasta una hora. Usted debería comenzar lentamente a una baja velocidad y una resistencia baja, porque para una persona con sobrepeso el ejercicio severo podría llevar a un excesivo esfuerzo del corazón y sistema circulatorio. Para mejorar fitness, resistencia y velocidad incrementar gradualmente.

Secuencias cortas en una resistencia pesada incrementan la fuerza y masa muscular, secuencias más largas en una resistencia más ligera moldean el cuerpo y desarrollan la capacidad aeróbica / cardiovascular.

Determine primero su ritmo cardíaco máximo, es decir, el ritmo que ya no aumenta al incrementarse el esfuerzo. Si Ud. no conoce su ritmo cardíaco máximo, use como guía la siguiente fórmula:

220 – EDAD

El máximo varía según las personas. El ritmo cardíaco máximo disminuye en promedio un punto por año. Si Ud. pertenece a alguno grupo de riesgo, solicite a un médico que le mida su ritmo cardíaco máximo. Hemos definido tres zonas diferentes de ritmo cardíaco para ayudarle en su entrenamiento dirigido.

PRINCIPIANTE: 50-60 % del ritmo cardíaco máximo

También recomendable para "vigilantes de peso", convalecientes y personas que no hayan hecho ejercicio físico durante largo tiempo. Se recomiendan tres sesiones semanales de por lo menos media hora cada una. El ejercicio regular mejora considerablemente las funciones respiratorias y circulatorias de los principiantes, quienes rápidamente sentirán el progreso.

ENTRENAMIENTO: 60-70 % del ritmo cardíaco máximo

Perfecto para una ejercitación de progreso y mantenimiento. Un esfuerzo regular y razonable desarrolla efectivamente el corazón y los pulmones entrenando un mínimo de 30 minutos al menos tres veces por semana. Para mejorar aún más su condición, aumente o la frecuencia o el esfuerzo, pero no ambos al mismo tiempo.

ENTRENAMIENTO ACTIVO: 70-80 % del ritmo cardíaco máximo

El ejercicio de este nivel es adecuado sólo para quienes están en óptimo estado, y presupone trabajos de alto rendimiento.

AJUSTE DE LA RESISTENCIA

Puede incrementar o reducir la resistencia girando la perilla del ajustador situada en el cuadro frontal. Para aumentar la resistencia de los pedales gire a derechas (hacia el signo +) el pomo regulador que hay en el parte superior de la barra del manillar. Para reducirla, gírelo a izquierdas (hacia el signo -). La escala que hay sobre el pomo (de 1 a 8) le permite recordar la resistencia más adecuada.

MEDIDA DEL RITMO CARDÍACO CON UN

CINTURÓN

El R25 se fabrica con función de medida del pulso. Quiere decirse que la máquina lleva un receptor interno compatible con los transmisores de pulso Polar. La medida del pulso es más fiable si se hace con un sensor telemétrico en el que los electrodos de un transmisor sujeto al pecho transmiten las pulsaciones del corazón al contador creando un campo electromagnético.

NOTA: Si Usted tiene incorporado un marcapasos, consulte a su médico antes de utilizar un monitor inalámbrico del ritmo cardíaco.

Si quiere medir su pulso de este modo durante su ejercicio, moje las ranuras de los electrodos del transmisor con saliva o agua. Coloque el transmisor y ajuste el cinturón flexible para tenerlo bien sujeto por debajo del pecho y para que los electrodos estén en contacto con la piel durante el ejercicio. Si quiere ponerse el transmisor y la correa encima de una camiseta ligera, moje un poco la camiseta en los puntos donde los electrodos tocan la piel. Colóquese el transmisor justo debajo del pecho, con la correa elástica suficientemente apretada para que los electrodos estén en contacto con su piel, pero no tan fuerte que no pueda respirar normalmente. El transmisor envía automáticamente la lectura de las pulsaciones al contador hasta una distancia aproximada de 1 m.

Si la superficie de los electrodos no está mojada, no aparece en pantalla la medida del pulso. Si los electrodos se secan, hay que volver a mojarlos. Para que la medida del pulso sea más exacta, espere a que los electrodos se calienten. Si hay varios medidores telemétricos del pulso cerca unos de otros, la distancia mínima debe ser de 1,5 m. Del mismo modo, si sólo se usa un receptor con varios transmisores, sólo debe haber en el radio de alcance del transmisor una persona. El transmisor sólo se activa cuando se usa para medir. Sin embargo, el sudor y otras humedades pueden hacer que se active y gaste pila. Por tanto, es importante secar bien los electrodos después de usarlo.

A la hora de elegir la ropa adecuada para realizar los ejercicios tenga en cuenta que algunas fibras textiles (por ejemplo el poliéster o la poliamida) producen electricidad estática, lo que puede impedir una correcta medición del pulso. Tenga en cuenta que el teléfono móvil, el televisor y otros aparatos

eléctricos forman a su alrededor un campo electromagnético que puede producir errores en la medición del pulso.

CONTADOR



TECLAS DE FUNCION

1. DIAL DE SELECCIÓN

El dial de selección se puede utilizar de dos modos:

- A) Girándolo (+/-).
- B) Pulsándolo (ENTER).

2. RESET

Puesta a cero de los valores objetivo, conclusión del ejercicio y retorno al estado inicial

3. RECOVERY

Medición del ritmo cardiaco de restablecimiento

4. START / STOP

Inicio e interrupción del ejercicio

5. OFF

Establece inmediatamente el contador en modo de espera.

MONITOR GRAFICO

1. VELOCIDAD DE RENDIMIENTO (/MIN.)

Número de remadas pro minuto, además en la parte inferior del campo de texto aparece una columna que indica la velocidad

2. DURACIÓN DEL EJERCICIO

00:00 – 99:59: medición a intervalos de 1 segundo, h 1:40 – h 9:59 medición a intervalos de 1 minuto

3. PULSACIONES DURANTE EL EJERCICIO

El símbolo corazón parpadea intermitentemente al ritmo de las pulsaciones medidas. Los símbolos de flecha en el monitor

TUNTURI[®]
From the Heart

alertan en caso de que el ritmo cardiaco supere el límite superior establecido o no alcance el límite inferior fijado

4. RECORRIDO DEL EJERCICIO (KM. / MILLAS)

0.00 – 99.9 Km. / millas

5. VELOCIDAD DEL EJERCICIO (KMH / MPH)

00.0 – 99.9 Km/h / mph

6. CONSUMO DE ENERGÍA (KCAL.)

Estimación del consumo total de energía durante la realización del ejercicio, 0 – 9999 Kcal.

7. RELOJ (CLOCK)

Reloj con tiempo real

8. TERMÓMETRO (GRADOS C / GRADOS F)

Termómetro de la temperatura ambiente, escala Celsius o Fahrenheit

9. HIGRÓMETRO (HUMEDAD %)

Higrómetro de la humedad ambiente, 0 – 100%

10. MONITOR NUMÉRICO PRINCIPAL

El valor del ejercicio seleccionado aparece indicado en el centro del contador con grandes números; los demás valores del ejercicio pueden ser observados al mismo tiempo en la línea superior del monitor numérico

11. MONITOR DEL RITMO CARDIACO ACUMULADO

En caso de que se realice la medición del ritmo cardiaco, en el monitor aparece el perfil del ritmo cardiaco configurado durante la realización del ejercicio

12. CAMBIO DE PILAS (BATTERY LOW)

La señal de aviso alerta de la necesidad del recambio de las pilas del contador

USO DEL CONTADOR

El contador se pone en funcionamiento al presionar cualquiera de las teclas del contador. En caso de que el equipo permanezca sin uso 5 minutos, el contador se desconecta automáticamente.

Seleccione las unidades de medición que desee mediante el conector que se encuentra en la parte posterior del contador. Puede seleccionar unidades métricas (Km., Km/h, Celsius) o unidades británicas (millas, mph, Fahrenheit).

ESTABLECIMIENTO HORA

Tras pulsar RESET+ENTER durante 2 segundos, el contador se restablece y es posible fijar la hora mediante el DIAL DE SELECCIÓN.

EJERCICIO MANUAL

En el ejercicio manual, puede ajustar el nivel de resistencia durante el ejercicio con la perilla de control.

1. Puede iniciar el ejercicio inmediatamente

pulsando el botón START/STOP. Ajuste el nivel de resistencia durante el ejercicio con la perilla de control.

2. Puede iniciar el ejercicio estableciendo un valor objetivo para el ejercicio. Presione la tecla + / - hasta que aparezca el texto manual en la parte inferior del monitor numérico principal.
3. Presione la tecla ENTER para poder acceder al establecimiento de los valores objetivo.
4. TIME = establezca la duración que desee para el ejercicio presionando las teclas +/- . Al presionar la tecla ENTER pasará a la siguiente configuración.
5. DISTANCE = establezca la distancia que desee para el ejercicio presionando las teclas + /-. Al presionar la tecla ENTER pasará a la siguiente configuración.
6. KCAL. = establezca el valor objetivo de consumo de energía para el ejercicio presionando las teclas + /-. Al presionar la tecla ENTER pasará a la siguiente configuración.
7. PULSE = establezca el límite superior para el valor del ritmo cardiaco durante el tiempo de duración del ejercicio presionando las teclas + /-: en el monitor aparecerán los símbolos del corazón y una flecha hacia arriba. Presione la tecla ENTER para pasar a determinar el límite inferior del valor del ritmo cardiaco: en el monitor aparecerán los símbolos del corazón y una flecha hacia abajo. Establezca el límite inferior para el valor del ritmo cardiaco durante el tiempo de duración del ejercicio presionando las teclas +/- . En caso de que el valor de su ritmo cardiaco exceda los límites establecidos, el contador le avisará haciendo parpadear de forma intermitente la flecha del límite en cuestión en el monitor. Después de esto podrá retornar al establecimiento de la duración del ejercicio (TIME) presionando la tecla ENTER.
8. Puede iniciar el ejercicio presionando la tecla START / STOP. Empiece y regule en caso de que sea necesario el nivel de resistencia durante el ejercicio.
9. Puede interrumpir el ejercicio presionando la tecla START / STOP (en el monitor del contador figura el texto Over). Los datos del programan permanecen almacenados en la memoria del contador durante 5 minutos, de modo que podrá reanudar el ejercicio interrumpido presionando nuevamente la tecla START / STOP.
10. Puede concluir el ejercicio presionando la tecla RESET estando el contador en el estado de interrupción.
11. En caso de que haya determinado un valor objetivo, el contador emitirá una señal acústica y el valor del monitor comenzará a parpadear intermitentemente cuando se haya alcanzado el valor objetivo. Ponga el monitor a cero presionando primero la tecla START / STOP y

después la tecla RESET.

RECOVERY – MEDICIÓN DEL RITMO CARDIACO

DE RECUPERACIÓN

Mide su ritmo cardiaco de recuperación una vez concluido el ejercicio.

1. Podrá acceder a la medición del ritmo cardiaco de recuperación presionando la tecla RECOVERY. En el monitor aparecerá el texto Recovery.
2. La medición comienza automáticamente y dura dos minutos.
3. Al término del periodo de medición aparecerá en el monitor la relación de recuperación del ritmo cardiaco expresada en forma de porcentaje. Cuánto más pequeña sea la cifra indicada, mejor es la condición física de que goza. Observe que su resultado está en relación con el ritmo cardiaco que tenía en el momento inicial de la medición y que su resultado es personal y por consiguiente no comparable directamente con los resultados de otras personas. Para garantizar la veracidad del resultado de la medición procure no cambiar las circunstancias de la misma. Siempre empiece la medición en el mismo nivel del pulso.
4. Para pasar de la medición del ritmo cardiaco de recuperación a la visualización general del monitor, presione la tecla RESET; el contador pasará al monitor general automáticamente después de transcurrido un minuto de la finalización de la medición.

Para garantizar la veracidad del resultado de la medición procure no cambiar las circunstancias de la misma. Siempre empiece la medición en el mismo nivel del pulso.

TRANSPORTE Y ALMACENAMIENTO

Seguir las instrucciones de movilidad porque levantar el mecanismo incorrectamente podría dañar su espalda o causar otros riesgos de accidentes.

Mover la máquina de remo en concordancia con las siguientes instrucciones; permanecer detrás del mecanismo y apretar el raíl con una mano y el sillín con la otra. Inclinar el mecanismo hasta que descansa sobre las ruedas de transporte. Mover el mecanismo rodándolo sobre las ruedas de transporte. El mecanismo más bajo rodarlo sobre el suelo mientras sostenemos el raíl y el sillín, permaneciendo todo el tiempo detrás del mecanismo.

Para transportar la máquina a través de superficies irregulares o escaleras, extreme la precaución: la máquina debe ser transportada en vilo (no usar las ruedas). Es una buena idea colocar la máquina sobre una base protectora. Al desplazar el aparato se pueden producir daños en algunos suelos, por ejemplo, en el parquet. Por esta razón el suelo deberá protegerse.

Para prevenir mal funcionamientos en la máquina, mantenerla en un lugar seco con la variación de temperatura más pequeña posible, protegida del polvo.

Para minimizar la tensión en el mecanismo de resistencia, nosotros recomendamos que la ruleta de ajuste se pone para posicionar 1 después de cada sesión de entrenamiento.

MANTENIMIENTO

- El R25 requiere muy poco mantenimiento. Sin embargo compruebe de vez en cuando si todos los pernos están bien apretados.
- Limpie la bici con un paño húmedo. No use nunca disolventes.
- No quite nunca las tapas protectoras.
- Si es necesario, limpie las superficies interiores de la barra para que el sillín pueda desplazarse sin problemas y sin ruido.

CAMBIO DE LAS PILAS

Si sólo aparece de forma débil o no figura la función en monitor, cambie las baterías (2 x 1,5 V AA). Retire la tapa del compartimento de las pilas que se encuentra en la parte posterior del medidor y extraiga las pilas. Coloque las nuevas baterías respetando las indicaciones y vuelva a colocar la tapa.

DEFECTOS DE FUNCIONAMIENTO

Pese al continuo control de calidad que realizamos, el equipo puede presentar defectos o malfuncionamientos debidos a fallos en componentes individuales. En la mayoría de los casos no es necesario llevar todo el equipo a reparar, y generalmente es suficiente con reemplazar la parte defectuosa.

NOTA: Si el equipo no funciona correctamente durante su uso, tome contacto inmediatamente con su proveedor Tunturi. Relate la naturaleza del problema, las condiciones de uso, la fecha de compra, el modelo y el número de serie.

En el reverso de esta guía encontrará la lista de piezas. Utilice sólo piezas de repuesto mencionadas en la lista de piezas de repuesto.

DATOS TECNICOS

Longitud	201 (94) cm
Anchura	53 (53) cm
Altura	65 (124) cm
Peso	31,6 kg

Este producto Tunturi cumple los standards EN de precisión y seguridad (EN-957).

Debido a su política de continuo desarrollo de productos, Tunturi se reserva el derecho de cambiar las especificaciones sin previo aviso.

NOTA: La garantía no cubre daños debidos a negligencias en los procedimientos de montaje, ajuste y mantenimiento descritos en esta guía. Deben seguirse estrictamente estas instrucciones en el montaje, uso y mantenimiento de su equipo. Cambios o modificaciones no expresamente aprobados por Tunturi no están autorizados a los usuarios.

Le deseamos muchas agradables sesiones de entrenamiento con su nuevo compañero de entrenamiento Tunturi.

INNEHÅLL

TRÄNING	38
ANVÄNDNING	39
MÄTAREN	39
TRANSPORT OCH FÖRVARING	41
UNDERHÅLL	41
TEKNISKA DATA	41

BRUKSANVISNING

Läs noga igenom denna handbok innan du monterar upp, använder eller reparerar ditt nya träningsredskap. Spara denna handbok; den innehåller information som du behöver nu och i framtiden för att använda och underhålla ditt redskap. Följ alltid dessa instruktioner noggrant.

BEAKTANSVÄRT OM HÄLSAN

- Konsultera din läkare innan du inleder ditt träningsprogram.
- Om du känner dig illamående, får svindel eller uppvisar andra onormala symptom under träningen, skall du omedelbart avbryta träningen och vända dig till din läkare.
- För att undvika träningsvärk värm upp före varje träningspass (långsam trampning med lågt motstånd) och avsluta med avslappningsövningar och muskelsträckningar.

BEAKTANSVÄRT OM TRÄNINGSMILJÖN

- Redskapet får inte användas utomhus.
- Placera redskapet på ett så plant underlag som möjligt.
- Placera redskapet så att du har ett fritt utrymme på minst 100 cm framför, bakom och på båda sidorna.
- Kontrollera att träningslokalen har en god ventilation. Undvik dock träning i dragiga lokaler, eftersom det kan leda till

förkylning.

- Redskapet tål vid träning en omgivning från +10°C till +35°C. Redskapet kan lagras vid temperaturer mellan -15°C och +40°C. Luftfuktigheten i tränings- eller upplagringsomgivningen får aldrig överskrida 90 %.

- För undvikande av skador rekommenderas att redskapet placeras på ett skyddat underlag.

BEAKTANSVÄRT OM REDSKAPETS ANVÄNDNING

- Skydda mätaren mot solljus och torka alltid ytan av ytan på mätaren om du ser svett droppar på den.
- Föräldrar och andra personer som har ansvar för barn skall beakta, att barnens naturliga lekbehov och experimentlust kan leda till situationer, för vilka redskapet inte är avsett. Om barn får använda redskapet, måste föräldrarna eller andra ansvariga personer beakta barnens psykiska och fysiska utveckling och framför allt barnens natur. Barn skall erhålla handledning i redskapets användning. Se till att det inte finns några husdjur i närheten av redskapet när du flyttar eller använder det.
- Kontrollera att redskapet är i skick innan du inleder träningen. Använd aldrig ett redskap som är sönder.
- Tryck på tangenterna med fingertopparna; naglar kan skada tangentmembranet.
- Använd aldrig redskapet när kåporna inte är på plats.
- Redskapet får endast användas av en person åt gången.
- Använd lämpliga kläder och skor när du tränar.
- Utför endast de service- och justeringsåtgärder som beskrivs i denna bruksanvisning. Givna anvisningar bör följas.
- Redskapet får inte användas av personer som väger över 135 kg.

- Utförligare information om träningsredskapets garanti hittar du i den bifogade garantiboken. Observera att garantin inte täcker skador uppkomna genom försumlighet av inställningen och justeringar eller underlåtenhet att följa givna anvisningarna.

OBSERVERA OM MONTERING AV REDSKAPET

Börja med att packa upp redskapet. Detaljerade monteringsinstruktioner finns i slutet av den här guiden. Följ instruktionerna i angiven ordning.

Kontrollera innehållet i paketet innan montering. Om en del saknas, kontakta din återförsäljare och uppge modell, serienummer på utrustningen och reservdelsnummer för den saknade delen. Det finns en reservdelsförteckning i slutet av denna bruksanvisning. Hårdvarusatsens innehåll har markerats med * i reservdelslistan. Riktningarna vänster, höger, fram och bak används så som man uppfattar dem när man sitter i träningsställning. Spara monteringsverktygen, eftersom du kan komma att behöva dem t.ex. för justering av redskapet. Observera att två personer behövs för monteringen.

I förpackningen finns det även en silikatpåse som absorberar fukt under lagring och transport. Släng påsen när du packat upp redskapet. Lämna minst 100 cm fritt utrymme runt redskapet. Vi rekommenderar även att förpackningen öppnas och produkten monteras samman på ett skyddande underlag.

Efter montering av redskapet sätts batterierna i på baksidan av konsolen.

VÄLKOMMEN TILL TUNTURIS TRÄNINGSVÄRLD!

Ditt val visar att du verkligen vill investera i din kondition och ditt välbefinnande; det visar också att du verkligen värdesätter hög kvalitet och stil. Med ett träningsredskap från Tunturi har du valt en säker och motiverande produkt av hög kvalitet till träningspartner. Oberoende av vilken målsättning du har, är vi säkra på att det här är den rätta utrustningen för att du skall nå ditt mål. Du kan hitta information om hur du ska använda ditt träningsredskap och hur man tränar effektivt på Tunturis webbplats på adressen WWW.ACCELLFITNESS.COM.

TRÄNING

Rodd är en effektiv motionsform, som stärker hjärtat, förbättrar blodcirkulationen

och utvecklar alla stora muskelgrupper i rygg, mage, armar, axlar, höfter och ben. Rodd utvecklar också smidigheten utan att anstränga lederna. Rodd kan rekommenderas för personer som lider av smärtor i nack- och skulderregionen.

Träning med det här redskapet är en utmärkt aerobisk motion. Grundidén är att motionen skall vara förhållandevis lätt, men räckta länge. Aerobisk motion bygger på en förbättring av den maximala syreupptagningsförmågan, som i sin tur förbättrar uthålligheten och konditionen. Kroppens förmåga att använda fett som bränsle är direkt beroende av dess förmåga att transportera syre.

Aerobisk motion är framför allt angenäm. Du skall bli svettig, men du får inte bli andfådd. När du motionerar skall du kunna prata, och inte bara flåsa. Du borde motionera minst tre gånger i veckan à 30 minuter. Detta ger dig en god baskondition. För att du skall kunna upprätthålla baskonditionen bör du motionera minst ett par gånger i veckan. När du har uppnått din baskondition, kan den lätt förbättras genom att du ökar antalet träningspass.

Motion är alltid bra för den som vill gå ner i vikt eftersom det är det enda sättet att öka kroppens energiförbrukning. Speciellt för personer som bantar lönar det sig därför att kombinera kalorifattig kost med regelbunden motion. Den som bantar bör motionera dagligen. Först cirka 30 minuter eller ännu kortare perioder per gång och sedan så småningom längre perioder upp till en timme per dag. Det lönar sig att börja långsamt med litet motstånd. En alltför hög belastning kan hos överviktiga personer belasta hjärtat och blodcirkulationen för mycket. I takt med att konditionen förbättras, kan du så småningom öka motståndet och hastigheten.

En hög belastning och korta serier ökar den maximala muskelstyrkan och muskelmassan. En mindre belastning och längre serier trimmar kroppen och ger muskeluthållighet.

Ta först reda på din maximipuls, dvs. på vilken nivå pulsen inte längre stiger trots att ansträngningen höjs. Om du inte känner till din maximipuls, kan du använda följande formler som riktgivare:

220 – ÅLDERN

Maximipulsen varierar från person till person. Maximipulsen går i medeltal ner med en enhet per år. Om du hör till någon av de riskgrupper

som nämndes ovan, be en läkare mäta din maximipuls åt dig. Vi har definierat tre olika pulsområden för att hjälpa dig när du sätter upp mål för träningen.

NYBÖRJARE: 50-60 % av maximipulsen

Denna nivå lämpar sig också för viktväktare, rehabiliteringspatienter och personer som inte har tränat på länge. Tre träningspass i veckan på minst en halvtimme var rekommenderas. Regelbunden träning förbättrar andnings- och cirkulationskapaciteten hos nybörjare betydligt och du kommer snabbt att märka förbättringen.

MOTIONÄR: 60-70 % av maximipulsen

Denna nivå är perfekt för att förbättra och upprätthålla konditionen. Även en måttlig ansträngning utvecklar hjärtat och lungorna effektivt, om du tränar i minst 30 minuter åtminstone tre gånger i veckan. För att ytterligare förbättra din kondition, höj antingen träningsfrekvensen eller ansträngningen, men inte båda på samma gång!

AKTIV IDROTTARE: 70-80 % av maximipulsen

Träning på denna nivå lämpar sig bara för personer med mycket bra kondition och bör föregås av träning för lång uthållighet.

ANVÄNDNING

JUSTERING AV MOTSTÅNDET

Du kan minska eller öka motståndet genom att vrida på reglaget på framramen. Om du vrider medsols (+) ökar motståndet och om du vrider motsols (-) minskar motståndet.

Med hjälp av skalan (1-8) är det lätt att ställa in önskat motstånd.

TRÅDLÖS PULSMÄTNING

R25 har en inbyggd pulsmottagare kompatibel med Polar telemetrisk pulsöverföring. Sändaren kan köpas som tillbehör. Trådlös pulsmätning, där elektroderna i en sändare på bröstkorgen överför hjärtats slag med hjälp av ett elektromagnetiskt fält till mätaren, har visat sig vara det tillförlitligaste sättet att mäta pulsen.

OBS! I det fall du använder pacemaker – hör med din läkare om du kan använda trådlös pulsmätning.

För trådlös mätning av pulsen under träningen, skall du noggrant fukta de räfflade elektroderna i elektrodväskan med vatten eller saliv. Montera sändaren och justera det flexibla väskan så att

det sitter lagom hårt under bröstnivå och se till att elektroderna är i kontakt med huden under träningen. Om du använder pulssändaren ovanpå skjortan, skall skjortan fuktas under elektroderna. Spänn det elastiska bältet med sändaren kring bröstet under bröstmusklerna, så att elektroderna hela tiden har hudkontakt under träningen. Bältet får dock inte vara så spänt att andningen försvåras. Pulsvärdet från pulssändaren överförs automatiskt till mottagaren upp till ett avstånd på 1 m.

Om elektrodytorna inte är fuktiga, visar mätaren inget pulsvärde. Elektroderna skall då fuktas på nytt. Tänk också på att elektroderna skall värmas upp på huden till kroppstemperatur för att ge tillförlitliga resultat. Om det finns flera apparater för trådlös pulsmätning bredvid varandra, skall avståndet mellan dem vara minst 1,5 m. Om det bara finns en mottagare, men flera sändare, får endast en person med sändare befinna sig inom räckvidd för mottagaren under mätningen. När du tar av dig elektrodväskan, kopplas sändaren bort. Fukt kan dock hålla sändaren aktiverad, vilket förkortar batteriets livslängd. Därför är det viktigt att sändaren omsorgsfullt torkas av efter varje användning.

Observera när du väljer kläder att vissa fibrer i tyget (t.ex. polyester, polyamid) genererar statisk elektricitet och kan därför hindra en tillförlitlig pulsmätning. Observera att mobiltelefoner, tv-apparater och andra elektriska anordningar genererar ett elektromagnetiskt fält omkring sig och kan därför ge upphov till problem i pulsmätningen.

MÄTAREN



FUNKTIONSKNAPPARNA

1. FUNKTIONSVÄLJARE

Du kan använda funktionsväljaren på två sätt:

- A) Vrid ratten (+ / -).
- B) Tryck på ratten (ENTER).

2. RESET

Nollställa träningsvärdena, sluta träning och återställ allmänna displayen

3. RECOVERY

Mätningen av återhämtningspuls.

4. START/STOP

Börja / avbryta träningen.

5. OFF

Försätter omedelbart mätaren i viloläge.

DISPLAYEN

1. Prestationshastighet (/min)

Antal årtag per minut. Under avläsningen syns en pelare som visar hastigheten.

2. Träningstid

00:00 – 99:59; mätning i en sekunds intervaller, h1:40-h9:59 mätning i en minuts intervaller

3. Träningspuls

Hjärtsymbolen blinkar i takten med pulsmätningen. Displayens pilsymboler visar om pulsen överskrider eller underskrider det inställda gränsvärdet.

4. Träningssträck (km/miles)

0.00-99.99 km/miles

5. Träningshastighet (kmh/mph)

00.0-99.9 kmh/mph

6. Energiförbrukning (Kcal)

Den estimerade totalenergiförbrukning under

träningen, 0-9999 kcal

7. Klocka (Clock)

Realtidsklocka.

8. Termometer (Temp C / Temp F)

Mäter rumstemperaturen antingen i Celsius eller Fahrenheit

9. Fuktighetsmätare (Humidity %)

Mäter fuktigheten i rummet, 0 – 100%.

10. Displayen av huvudvärden

Det valda träningsvärdet syns i stora siffror i mitten av displayen medan de övriga träningsvärdena i övre raden.

11. Displayen av kumulativ puls

Mäts pulsen under tränings-sessionen ser man pulsens profil formas under tränings-lopp.

12. Batteribyte (Battery low)

En varning påminner om batteri-bytet.

ANVÄNDNING AV MÄTAREN

Mätaren sätts igång genom att trycka någon av mätarknapparna. Används ergometern inte i fem minuter släcks mätaren automatiskt av.

Välj mätningseenheten med kopplingen på mätarens bakdel. Du kan välja antingen metriska (km, km/h, Celsius) eller engelska (mile, mph, Fahrenheit) enheter.

INSTÄLLNING AV TID

När RESET+ENTER har hållits intryckt under 2 sekunder återstartas mätaren och du kan använda FUNKTIONSVÄLJAREN för att ställa in tid.

MANUAL (MANUELL TRÄNING)

I manuella träningen kan du justera motståndet under tränings-lopp med hjälp av kontrollreglaget.

1. Du kan börja träningen genast genom att trycka på knappen START/STOP. Justera motståndet under tränings-lopp med kontrollreglaget.

2. Du kan börja träningen genom att sätta gränsvärden för tränings-sessionen. Tryck på pilknappen tills ordet MANUAL står under huvuddisplayen.

3. Trycka på knappen ENTER för att sätta målsättningsvärden.

4. TIME = sätt en önskad träningstid med hjälp av plus- och minusknappar. Genom att trycka på knappen SET kommer du till nästa sättning.

5. DISTANCE = sätt en önskad träningssträck med hjälp av plus- och minusknappar. Genom att trycka på knappen ENTER kommer du till nästa sättning.

6. KCAL = sätt en önskad energiförbrukningsnivå med hjälp av plus- och

minus- knappar. Genom att trycka på knappen ENTER kommer du till nästa sättning.

7. PULSE = sätt ett övre gränsvärde för träningspulsens med hjälp av plus- och minusknappar: på displayen visas ett hjärta och en pil uppåt. Tryck på knappen ENTER för att sätta ett nedre gränsvärde för träningspulsens: Displayen visar ett hjärta och en pil nedåt. Sätt ett nedervärde för träningspulsens genom att trycka på plus- och minusknappar. Om du överskrider eller underskrider de utsatta gränsvärdena visar displayen detta genom att blinka den ifrågavarande pilen. Efter detta återvänder du med knappen ENTER till att inställa träningstiden (TIME).

8. Du kan börja träningen genom att trycka på knappen START/STOP. Börja träningen och vid behov justera moståndet under träningslopp.

9. Du kan avbryta träningen genom att trycka på knappen START/STOP (I displayen står ordet "OVER"). Programinformationen lagras för fem minuter i mätarens minne; återvänder du inom denna tid gäller det bara att trycka på knappen START/STOP för att fortsätta med träningen.

10. Du kan sluta träningen genom att trycka på -knappen RESET när mätaren är i paustillståndet.

11. Har du utsatt ett målsättningsvärde ger mätaren en ljudsignal när den är i paustillståndet efter att målsättningsvärdet har uppnåtts. Nollställa siffrorna genom att först trycka på knappen START/STOP och därefter knappen RESET.

RECOVERY – MÄTNINGEN AV

ÅTERHÄMTNINGSPULSEN

Mäta återhämtningspulsens efter träningen.

- Mätningen kan du börja med att trycka på knappen RECOVERY. På displayen står "Recovery".
- Mätningen börjar automatiskt och varar två minuter.
- Till slutet av mätningen visar displayen pulsens återhämtningsrelation som procenttal. Ju mindre avläsning, desto bättre kondition har du. Beakta att dina resultat befinner sig i en relation till inledningsmomentens puls nivå och att dina resultat är personliga prestationer som inte kan direkt jämföras med andras resultat. För att förbättra tillförlitligheten i mätningen av återhämtningspulsens bör du sträva efter att alltid göra mätningen på samma sätt och så noggrant som möjligt; börja mätningen så exakt som möjligt vid samma puls nivå.
- Återvändningen från

återhämtningsmätningen sker genom att trycka på knappen RESET; för övrigt återgår mätaren till den allmänna displayen en minut efter återhämtningsmätningen slutförts.

TRANSPORT OCH FÖRVARING

Följ instruktionerna eftersom en felaktig lyftning och förflyttning kan anstränga ryggen eller leda till farliga situationer.

Ställ dig bakom roddmaskinen. Grip med ena handen tag i sitsen och med den andra i rälsen. Lyft upp redskapet så att det vilar på transportrullarna. Flytta redskapet till önskad plats med hjälp av transportrullarna och lägg ner redskapet på golvet medan du står bakom det.

Förflytt redskapet ytterst försiktigt över ojämna ställen på golvet, till exempel över tröskel. I trappor får redskapet aldrig transporteras på trasporthjulen, utan det måste bäras. För undvikande av skador rekommenderas att redskapet placeras på ett skyddat underlag. När man flyttar på löpbandet kan vissa golvmaterial ta skada, t.ex. parkettgolv. Underlaget bör i sådana fall skyddas.

För undvikande av funktionsstörningar skall redskapet förvaras på ett torrt och dammfritt ställe som har en jämn temperatur.

För att undvika onödig belastning på motståndssystemet, rekommenderar vi att motståndsreglaget ställs på 1 efter varje träning.

UNDERHÅLL

- R25 behöver så gott som ingen service. Kontrollera dock ibland, att alla skruvar och muttrar är åtdragna.
- Rengör redskapet från damm och smuts med en fuktig duk. Använd inga lösningsmedel.
- Avlägsna inte redskapets skyddskåpor.
- Rengör insidan av rälsen vid behov så att sitsen glider så lätt och tyst som möjligt.

BYTE AV BATTERI

Displayen larmar om batteribytest. Ta bort skyddet från batterifacket på mätarens baksida och ta bort de gamla batterierna. Sätt i nya batterier i facket (lägg märke till batteriernas placering) och sätt tillbaka skyddet.

STÖRNINGAR VID ANVÄNDNING

OBS! Trots kontinuerlig kvalitetskontroll kan fel eller funktionsstörningar som beror på någon enskild komponent förekomma. Därför är det onödigt att hela redskapet skickas på reparation, eftersom det för det mesta räcker med att aktuell komponent byts.

Kontakta genast din försäljare om du upptäcker fel eller brister när du använder ditt redskap eller om du behöver reservdelar. Uppge alltid redskapets modell och serienummer. Beskriv problemet, hur redskapet använts, och uppge inköpsdagen. Behöver du reservdelar, uppge också numret på reservdelar; du hittar en lista på reservdelar i slutet på den här handboken. Till apparaten får endast delar från reservdelslistan användas.

TEKNISKA DATA

Längd.....201 (94) cm
Bredd 53 (53) cm
Höjd65 (124) cm
Vikt31,6 kg

R25 uppfyller EN-standarden för precision och säkerhet (EN-957).

På grund av vår policy för kontinuerlig produktutveckling förbehåller Tunturi sig rätten till ändringar.

OBS! Garantin gäller inte skador som uppkommit pga. underlåtenhet att iaktta de instruktioner för montering, justering och underhåll som beskrivits här. Instruktionerna måste följas noggrant vid montering, användning och underhåll av redskapet. Redskapet som modifieras eller förändras på ett sätt som inte är godkänt av Tunturi får inte användas.

Vi önskar dig mycket nöje i träningen med din nya träningspartner från Tunturi.

SISÄLLYSLUETTELO

HARJOITTELU.....	44
KÄYTTÖ.....	45
MITTARI.....	45
KULJETUS JA SÄILYTYS.....	47
HUOLTO.....	47
KÄYTTÖHÄIRIÖT.....	47
TEKNISET TIEDOT.....	47

Tämä ohjekirja on tärkeä osa kuntolaitettasi: perehdy tähän oppaaseen huolellisesti ennen kuin asennat, käytät tai huollat kuntolaitettasi. Sinun on syytä myös säilyttää tämä opas, sillä se on jatkossakin oppaasi niin kuntolaitteesi tehokkaaseen käyttöön kuin huoltoonkin. Muista aina noudattaa tämän oppaan ohjeita.

HUOMIOITAVAA TERVEYDESTÄSI

- Ennen harjoittelun aloittamista käy varmistuttamassa terveydentilasi lääkärillä.
- Jos harjoittelun aikana tunnet pahoinvointia, huimausta tai muita epänormaaleja oireita, keskeytä harjoittelu välittömästi ja ota yhteys lääkäriin. Huomaa, että väärä tai liiallinen harjoittelu voi aiheuttaa terveyshaittoja.
- Estääksesi lihasten venähtämisen tai kipeytymisen aloita ja päätä jokainen harjoituskerta verryttelyllä. Muista myös venytellä harjoittelun päätteeksi.

HUOMIOITAVAA HARJOITTELU- YMPÄRISTÖSTÄ

- Laitetta saa käyttää vain sisätiloissa.
- Sijoita laite kovalle ja mahdollisimman tasaiselle alustalle. Aseta laite myös lattiaa suojaavalle alustalle.
- Huolehdi, että harjoitteluympäristö on riittävän hyvin ilmastoitu. Vilustumisen estämiseksi vältä kuitenkin harjoittelua vetoisissa tiloissa.

- Harjoitteluolosuhteissa laite kestää lämpötiloja +10 asteesta +35 asteeseen. Varastoitaessa laite kestää lämpötiloja -15 asteesta +40 asteeseen. Missään tapauksessa ilman kosteus ei saa ylittää 90 %.

- Aseta laite siten, että sen ympärillä on joka suuntaan vähintään 100 cm vapaata tilaa.

HUOMIOITAVAA LAITTEEN KÄYTÖSTÄ

- Mikäli lasten annetaan käyttää laitetta, vanhempien tai muiden vastuullisten tulee ottaa huomioon lasten sekä henkinen että fyysinen kehitys ja ennen kaikkea luonne. Lapsia tulee valvoa ja opastaa laitteen oikeassa käytössä. Huolehdi myös, etteivät lemmikkieläimet ole laitteen lähellä laitetta siirrettäessä tai harjoittelun aikana.

- Varmista ennen harjoittelun aloittamista, että laite on kaikin puolin kunnossa. Älä koskaan käytä viallista laitetta.

- Vain yksi henkilö kerrallaan saa harjoitella laitteella.

- Käytä harjoittelun aikana asianmukaisia vaatteita ja kenkiä.

- Paina näppäimiä sormenpäällä; kynnet voivat vaurioittaa näppäinkalvoa.

- Älä käytä laitetta mikäli laitteen suojakotelot eivät ole paikallaan.

- Suojaa mittari auringonvalolta ja kuivaa mittarin pinta aina, mikäli sen päälle on tippunut hikivettä.

- Tämän laitteen tuottama harjoitusteho riippuu harjoitusnopeudesta.

- Älä yritä tehdä laitteelle muita kuin tässä ohjekirjassa kuvattuja säätöjä tai huoltotoimenpiteitä.

- Laitteen ehdoton enimmäiskäyttöpaino on 135 kg.

- Tarkempia tietoja kuntolaitteesi takuusta löydät laitteen mukana toimitetusta takuukirjasesta. Pyydämme

Sinua rekisteröimään kuntolaitteesi Tunturin Internetkotisivuilla www.acellfitness.com ensi tilassa, mieluiten 14 päivän kuluttua laitteen hankinnasta.

LAITTEEN ASENNUKSESTA

Aloita asennus avaamalla pakkaus. Yksityiskohtaiset asennusohjeet löydät tämän käyttöohjeen takaosasta. Noudata asennusohjeita annetussa järjestyksessä. Tarkista ennen asennusta, että pakkaus sisältää kaikki asennusohjeessa mainitut osat. Mikäli joku osista puuttuu, selvitä laitteesi malli, sarjanumero ja puuttuvan osan varaosanimike (varaosaluettelon löydät tämän käyttöohjeen takaosasta.) ja ota yhteyttä kauppiaseen, jolta olet laitteesi hankkinut. Suunnat vasen, oikea, etu ja taka on määritelty harjoitteluasennosta katsottuna. Säilytä työkalut, sillä tarvitset niitä myöhemmin esimerkiksi säätäessäsi kuntolaitetta. Laitteen asentamiseen tarvitaan kaksi ihmistä.

Pakkaus sisältää silikaattipussin ilman kosteuden imemiseksi varastoinnin ja kuljetuksen aikana. Heitä pussi pois, kun olet asentanut laitteesi. Laitetta asentaessasi tarvitset vähintään 100 cm vapaata tilaa laitteen ympärille. Avaa pakkaus ja asenna laite suojatulla alustalla. Kun asennus on valmis, asenna vielä paristot käyttöliittymän takaosassa olevaan paristokoteloon. Säilytä tämä käyttöohje!

TERVETULOA TUNTURI-KUNTOILIJOIDEN JOUKKOON!

Valintasi osoittaa, että tahdot todella huolehtia kunnostasi; valintasi osoittaa myös sen, että arvostat korkeaa laatua ja tyylikkyyttä. Tunturi-kuntolaitteen myötä olet valinnut korkealuokkaisen, turvallisen ja motivoivan kuntolaitteen harjoituskumppaniksesi. Olkoon tavoitteesi kuntoilun saralla mikä tahansa, olemme varmoja, että tällä Tunturin kuntolaitteella tulet tavoitteesi saavuttamaan. Lisätietoa Tunturin kuntolaitteista sekä harjoittelusta löydät internetistä Tunturiin kotisivuilta WWW.ACCELLFITNESS.COM.

HARJOITTELU

OIKEA HARJOITUSTASO

Sinun kannattaa testauttaa kuntosi ja käydä lääkärintarkastuksessa, jos olet yli 40-vuotias, koet fyysisen kuntosi heikoksi, etkä ole kuntoillut pitkään aikaan, jos sinulla on jokin pitkäaikaissairaus tai muita terveydellisiä ongelmia tai jos sinulla on tuki- ja liikuntaelimestön vamma tai näihin liittyviä

ongelmia. Henkilöiden, joilla on todettu sydän- ja verenkiertoelimestön sairauksia tai muita riskitekijöitä, kannattaa ehdottomasti mittauttaa peruskuntonsa ennen kuntoilun aloittamista.

Jos haluat kehittää kuntoasi ja edistää terveyttäsi, olisi hyvä kuntoilla vähintään kolme kertaa viikossa. Harjoittelun vaikutukset tuntuvat jo muutaman viikon kuluttua. Parhaiten yleiskunnon kohottamiseen soveltuu liikunta, jonka teho on kohtuullinen ei liian rajua eikä liian löysää. Harjoittelun aikana hien tosin pitää nousta pintaan, silti on kyettävä puhumaan. Tällaista harjoitusta kutsutaan aerobiseksi eli kestävyysliikunnaksi, jonka aikana elimistö tuottaa lihasten tarvitseman energian polttamalla hapen avulla kehon rasvaa, jolloin rasvakudos vähenee. Olipa tavoitteesi harjoittelussa mikä hyvänsä, parhaaseen tulokseen pääset harjoittelemalla oikealla rasiustasolla. Paras rasiustason mittari on oman sydämen syketaajuus.

Kaikissa harjoitteissa iso kuorma ja lyhyet sarjat kasvattavat maksimivoimaa ja lihasmassaa, pienempi kuorma ja pidemmät sarjat puolestaan kiinteyttävät ja kehittävät lihaskestävyyttä. Lähde liikkeelle selvittämällä ensin maksimisykearvosasi eli se lyöntimäärä, josta sykkeesi ei enää nouse, vaikka rasius lisääntyisikin. Jos et tiedä omaa maksimisykearvoasi, voit käyttää seuraavaa kaavaa suuntaa antavana:

220 – IKÄ

Maksimisyke voi vaihdella yksilöllisesti runsaastikin. Maksimisyke putoaa keskimäärin yhden sykkeen vuodessa. Varsinkin siinä tapauksessa, että kuulut johonkin mainituista riskiryhmistä, kannattaa sinun ehdottomasti varmistaa maksimisykkeesi lääkärin avustuksella. Olemme määritelleet kolme eri sykealuetta, joista löydät tavoitteitasi parhaiten vastaavat harjoittelualueet.

ALOITTELIJAN TASO • 50 - 60 % maksimisykkeestä

Tämä taso on sopiva laihduttajille, toipilaille ja niille, jotka eivät ole harrastaneet liikuntaa aikaisemmin tai pitkään aikaan. Suositeltava harjoitusmäärä on kolme kertaa viikossa vähintään puoli tuntia kerrallaan.

KUNTOILIJAN TASO • 60 - 70 % maksimisykkeestä

Tämä taso sopii erinomaisesti kunnon kohottamiseen ja ylläpitämiseen. Tällä tasolla vahvistat sydäntäsi ja keuhkojasi edellistä tasoa enemmän, mutta rasius tuntuu silti kohtuulliselta. Harjoituksen tulisi kestää kerrallaan vähintään puoli tuntia

ja harjoituskertoja tulisi olla vähintään kolme viikossa. Mikäli haluat kohottaa kuntoasi edelleen, sinun on lisättävä joko harjoituskertoja tai harjoitustehoa (ei kuitenkaan molempia yhtäaikaan).

AKTIIVIKUNTOILIJAN TASO • 70 - 80 %
maksimisykkeestä

Harjoittelu tällä tasolla soveltuu vain erittäin hyväkuntoisille ja edellyttää jo pitkään jatkunutta kuntoilua.

Muista, että kunto-ohjelmassa lepo on yhtä tärkeää kuin harjoittelu. Jos esimerkiksi harjoittelet kolme viikkoa tunnollisesti, kannattaa ottaa seuraava viikko hieman kevyemmin.

KÄYTTÖ

VASTUKSEN SÄÄTÖ

Voit lisätä tai vähentää vastusta kääntämällä eturungossa olevaa säätönuppia. Säätönupin kääntäminen myötäpäivään lisää vastusta ja kääntäminen vastapäivään puolestaan vähentää sitä. Säätönupin asteikon (1-8) avulla on helppo löytää tai toistaa aikaisemmin käytetty, sopivaksi havaittu vastusmäärä.

LANGATON SYKEMITTAUS

R25in mittarissa on sykevastaanotin, joten voit käyttää sykemittaukseen koodaamattomia sykevöitä. Sykevyö myydään lisävarusteena.

TÄRKEÄÄ! Mikäli käytät sydämentahdistinta, varmista lääkäriltäsi, että voit käyttää langatonta sykemittausta.

Langaton sykemittaus on todettu luotettavimmaksi sykemittausperiaatteen. Mittauksessa rintakehälle kiinnitettävän lähetimen elektrodit siirtävät sykeimpulssit sydäimestä sähkömagneettisen kentän avulla mittarille. Mikäli haluat mitata sykettä langattomasti harjoittelun aikana, kostuta huolellisesti lähetinvyössä olevat, ihoa vasten tulevat uralliset elektrodit. Kiinnitä lähetin joustavan vyön avulla sopivan tiukasti rintalihasten alapuolelle siten, että elektrodit pysyvät ihokontaktissa harjoituksen aikana. Mikäli käytät lähetintä paidan päällä, kostuta paita elektrodipintoja vastaavilta kohdilta. Lähetin ei kuitenkaan saa olla liian tiukalla, jottei esim. normaali hengitys vaikeudu. Sykelähetin siirtää sydämen sykelukeman automaattisesti sykevastaanottimelle n. 1 m:n etäisyyteen saakka. Sykearvo näkyy mittarissa. Tarkkaile sykettäsi harjoittelun aikana.

HUOMIOI LANGATONTA SYKEMITTAUSTA

KÄYTTÄESSÄSI

Mikäli elektrodipinnat eivät ole kosteat, sykelukema ei ilmesty mittarin näyttöön. Siksi jos elektrodit kuivuvat iholla, kostuta ne uudelleen. Muista myös, että elektrodien tulee antaa lämmetä iholla kehon lämpöisiksi, jotta mittaus toimisi luotettavasti. Jos langattomasti sykettä mittaavia laitteita on useampia vierekkäin, niiden välisen etäisyyden tulee olla vähintään 1,5 m. Vastaavasti jos käytössä on vain yksi vastaanotin, mutta useampi lähetin, saa mittauksen aikana lähetysetäisyydellä olla vain yksi henkilö, jolla on lähetin. Lähettimen toiminta lakkaa, kun otat sen pois yltäsi. Kosteus saattaa kuitenkin aktivoida lähettimen, jolloin patterin käyttöikä lyhenee. Siksi on tärkeää kuivata lähetin huolellisesti käytön jälkeen.

Huomioi harjoitusvaatetuksessasi että tietyt vaatteisiin käytetyt kuidut (esim. polyesteri, polyamidi) tuottavat staattista sähköä, mikä saattaa estää luotettavan sykemittauksen. Huomioi myös että matkapuhelin, tv ja muut sähkölaitteet muodostavat ympärilleen sähkömagneettisen kentän, joka aiheuttaa ongelmia sykemittauksessa.

MITTARI



PAINIKKEET

1. VALINTAPYÖRÄ

Valintapyörä-painikkeella on kaksi toimintoa:
A) Painikkeen pyörittäminen (+ / -).
B) Painikkeen painallus (ENTER).

2. RESET

Harjoitusarvojen nollaus, harjoituksen päättäminen ja paluu käynnistystilaan

3. RECOVERY

Palautussykkeen mittaus

4. START / STOP

Harjoituksen aloitus ja keskeytys

5. OFF

Siirtää mittarin välittömästi uni-tilaan.

NÄYTÖT**1. SUORITUSNOPEUS (/MIN)**

Vetoja / min, lisäksi lukemanäytön alla on pylväs, joka osoittaa vetotaajuutta

2. HARJOITUSAIKA

00:00- 99:59: mittaus 1 sekunnin välein, h1:40- h9:59 mittaus 1 minuutin välein

3. HARJOITUSPULSSI

Sydän-symboli vilkkuu mitatun pulssin tahdissa. Näytön nuoli-symbolit osoittavat, mikäli pulssi ylittää asetetun ylärajan tai alittaa asetetun alarajan

4. HARJOITUSMATKA (KM / MILE)

0-9999 m, 10-99.99 km / mailia

5. HARJOITUSNOPEUS (KMH / MPH)

00.0-9.59 aika / 500 m

6. ENERGIANKULUTUS (KCAL)

Arvioitu kokonaisenergiankulutus harjoituksen aikana, 0-9999 kcal

7. KELLO (CLOCK)

Reaaliaikakello

8. LÄMPÖMITTARI (TEMP C / TEMP F)

Huonelämpötilan mittari, Celsius tai Fahrenheitasteikko

9. KOSTEUSMITTARI (HUMIDITY %)

Huonekosteuden mittari, 0-100 %

11. KUMULATIIVINEN SYKENÄYTTÖ

Mikäli harjoituksessa käytetään sykemittausta, näyttöön tulee sykkeen harjoituksen aikana muodostama profiili

12. PÄÄNUMERONÄYTTÖ

Valittu harjoitusarvo näkyy suurilla numeroilla mittarin keskellä; muita harjoitusarvoja voi samalla seurata yläarvin numeronäytöistä

13. PARISTOJEN VAIHTO (BATTERY LOW)

Varoitusnäyttö ilmoittaa mittarin paristojen vaihtotarpeen

MITTARIN KÄYTTÖ

Mittari käynnistyy painamalla mitä tahansa mittaripainiketta. Mikäli laite on käyttämättä 5 minuuttia, mittari kytketty automaattisesti pois päältä. Valitse haluamasi mittayksiköt mittarin taustapuolella olevan kytkimen avulla. Voit valita metriset (km, km/h, Celsius) tai englantilaiset (mailit, mph, Fahrenheit) yksiköt.

AJAN ASETTAMINEN

Painettuasi RESET+ENTER 2 sekunnin ajan, käyttöliittymä käynnistyy uudelleen ja VALINTAPYÖRÄÄ käyttämällä voit asettaa ajan.

MANUAL-HARJOITUS

Manual-harjoituksessa voit säätää vastustasoa harjoituksen aikana säätönupin avulla.

1. Voit aloittaa harjoituksen heti painamalla START / STOP-painiketta. Säädä vastustasoa harjoituksen aikana säätönupin avulla.
2. Voit aloittaa harjoituksen asettamalla tavoitearvoja harjoitukselle. Paina nuolipainiketta, kunnes päänumeronäytön alla on teksti Manual.
3. Paina SET-painiketta, jolloin pääset tavoitearvojen asetuksiin.
4. TIME = aseta harjoitukselle haluamasi kesto + / - -painikkeilla. SET-painikkeella siirryt seuraavaan asetukseen.
5. DISTANCE = aseta harjoitukselle haluamasi matka + / - -painikkeilla. SET-painikkeella siirryt seuraavaan asetukseen.
6. KCAL = aseta harjoitukselle haluamasi energiankulutuksen tavoitearvo + / - -painikkeilla. SET-painikkeella siirryt seuraavaan asetukseen.
7. PULSE = aseta harjoituksen aikaiselle sykearvolle yläraja + / - -painikkeilla: näytössä on sydän ja nuoli ylös-symbolit. Paina SET-painiketta, jolloin siirryt sykearvon alarajan asetukseen: näytössä on sydän ja nuoli alas-symbolit. Aseta harjoituksen aikaiselle sykearvolle alaraja + / - -painikkeilla. Mikäli sykearvosu viittää asetetut rajat, mittari osoittaa tämän vilkuttamalla kyseisen rajan nuolta näytössä. Tämän jälkeen palaat SET-painikkeella harjoitusajan (TIME) asetukseen.
8. Voit aloittaa harjoituksen painamalla START / STOP-painiketta. Aloita soutaminen ja säädä tarvittaessa vastustasoa harjoituksen aikana.
9. Voit keskeyttää harjoituksen painamalla START/ STOP-painiketta (mittarin näytössä teksti Over). Ohjelman tiedot säilyvät 5 minuuttia mittarin muistissa, joten voit jatkaa keskeyttämäsi harjoitustasi painamalla uudestaan START / STOP-painiketta.
10. Voit lopettaa harjoituksen painamalla RESET-painiketta mittarin ollessa keskeytystilassa.
11. Mikäli olet asettanut tavoitearvon, mittari antaa äänimerkin ja näyttöarvo alkaa vilkkua tavoitearvon täytyttyä. Nollaa näyttö painamalla ensin START/ STOP-painiketta ja sen jälkeen RESET-painiketta.

RECOVERY – PALAUTUSSYKKEEN MITTAUS

Mittaa palautussykkeesi harjoituksen päätteeksi.

1. Palautussykkeen mittaukseen siirryt painamalla RECOVERY-näppäintä. Näyttöön tulee teksti Recovery.
2. Mittaus alkaa automaattisesti ja kestää kaksi minuuttia.

3. Mittausjakson päätteeksi näyttöön ilmestyy sykkeen palautumissuhde prosenttilukuna. Mitä pienempi lukema on, sitä paremmassa kunnossa olet. Huomaa, että tuloksesi on suhteessa mittauksen alkuhetken syketasoon, ja että tuloksesi on henkilökohtainen, eikä suoraan verrattavissa muiden tuloksiin. Palautussykkeen mittauksen luotettavuuden parantamiseksi pyri aina vakioimaan mittaustapahtuma mahdollisimman tarkasti; aloita mittaus mahdollisimman tarkasti samalta syketasolta. Pysy mahdollisimman liikkumatta paikallasi koko mittauksen ajan.
4. Palautussykemittauksesta siirryt takaisin yleisnäyttöön painamalla RESET-painiketta; mittari siirtyy yleisnäyttöön automaattisesti minuutin kuluttua mittauksen päättymisestä.

KULJETUS JA SÄILYTYS

Laitetta on helppo kuljettaa pitkin lattiaa kuljetuspyörien varassa työntäen. Siirrä aina laitetta seuraavan ohjeen mukaisesti, sillä väärä nosto- ja siirtotapa voi rasittaa selkää tai aiheuttaa vaaratilanteita.

Asetu laitteen taakse ja tartu laitteen takaosan poikkiputkeen. Kallista soutu-laite eturungon alla olevien siirtopyörien varaan ja siirrä laite haluaamasi paikkaan kuljetuspyörien varassa. Laske laite varovasti alas.

Siirrä laitetta erityisellä varovaisuudella lattian epätasaisuuksien, esimerkiksi kynnysten yli. Rapuissa mattoa tulee aina kantaa. Laitteen siirtäminen saattaa vahingoittaa joitakin lattiamateriaaleja, esimerkiksi puuparkettia. Suojaa lattia siirtäessäsi laitetta vahinkojen estämiseksi.

Toimintahäiriöiden välttämiseksi säilytä laitetta mahdollisimman kuivassa ja tasalämpöisessä paikassa pölyltä suojattuna.

Suosittelemme, että harjoitusten välissä vastus säädetään asentoon 1. Näin vähennät vastusmekanismiin kohdistuvaa rasitusta.

HUOLTO

R25:n huoltotarve on vähäinen. Tarkista kuitenkin aika ajoin kaikkien kiinnitysruuvien ja -muttereiden kireys.

- Pyyhi laitteesi kaikki osat harjoituksen päätyttyä hikivedestä pehmeällä, imukykyisellä liinalla. Älä käytä liuottimia. Hikivesi voi syövyttää metallia; siksi suosittelemme, että suojaat kaikki katteiden ulkopuoliset metallipinnat esimerkiksi teflon- suojaöljyllä.
- Älä poista laitteen suojakoteloita paikaltaan.
- Puhdista kiskojen sisäpinnat tarvittaessa,

jotta istuin liikkuu mahdollisimman tasaisesti ja äänettömästi.

PARISTOJEN VAIHTO

Mittarinäyttö osoittaa, milloin paristot tulee vaihtaa. Irrota paristokotelon kansi mittarin taustapuolelta ja poista vanhat paristot. Aseta uudet paristot pidikkeeseen (huomioi paristojen suunnat) ja kiinnitä kansi takaisin paikalleen.

KÄYTTÖHÄIRIÖT

Jatkuvasta laaduntarkkailusta huolimatta laitteessa saattaa esiintyä yksittäisistä komponenteista johtuvia yksilövikoja tai toimintahäiriöitä. Koko laitteen toimittaminen korjattavaksi on yleensä tarpeetonta, sillä vika on useimmiten korjattavissa ko. osan vaihdolla.

Mikäli laitteen toiminnassa ilmenee häiriöitä käytön aikana, ota välittömästi yhteys laitteen myyjään. Ilmoita laitteesi malli ja sarjanumero (sarjanumerotarran sijainnin näet tämän käyttöohjeen etukannen sisäpuolelta). Ilmoita lisäksi häiriön luonne, laitteen käyttöympäristö sekä ostopäivämäärä.

Mikäli tarvitset laitteeseesi varaosia, ota yhteys laitteen myyjään. Ilmoita aina laitteen malli, sarjanumero sekä tarvittavan osan varaosanumero. Varaosaluettelon löydät tämän oppaan lopusta. Laitteessa saa käyttää vain varaosalistassa mainittuja osia.

TEKNISET TIEDOT

Pituus 201 (94) cm
 Leveys 53 (53) cm
 Korkeus 65 (124) cm
 Paino 31,6 kg

R25 täyttää CEN tarkkuus- ja turvanormien vaatimukset (EN-957).

Oikeudet muutoksiin pidätetään.

TÄRKEÄÄ! Ohjekirjan tietoja kuntolaitteen asennuksessa, käytössä tai huollossa on syytä noudattaa erittäin huolellisesti. Takuu ei korvaa vahinkoja, jotka ovat aiheutuneet tässä ohjekirjassa mainittujen asennus-, säätö- tai huolto-ohjeiden laiminlyönneistä. Mikäli laitteelle tehdään muita kuin Tunturi :n neuvomia ja nimenomaisesti hyväksymiä toimenpiteitä, laitetta ei saa käyttää!

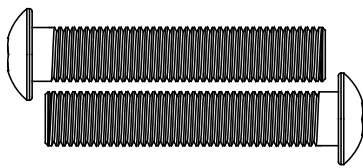
Toivotamme Sinulle miellyttäviä harjoitushetkiä Tunturi-harjoituskumppanisi kanssa.

TUNTURI

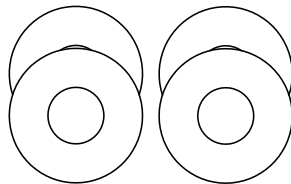
R25

ITEM CODE
553 1036

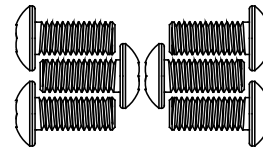
21. End cap 1pcs



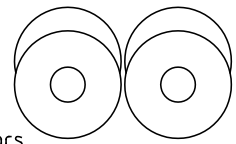
11. Hex head screw IS07380 M10x55 2pcs



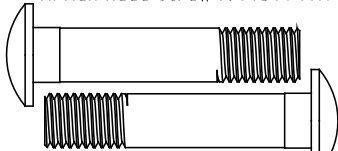
12. Washer DIN125A M10 4pcs



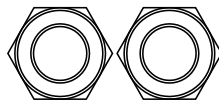
13. Hex head screw IS07380 M6x15 6pcs



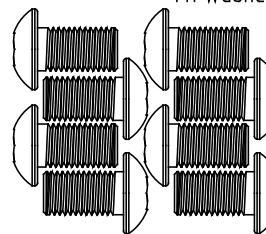
14. Washer DIN9021 M6 $\phi 6.5 \times \phi 20 \times T1.5$ 4pcs



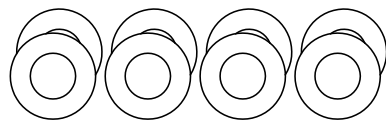
15. Bolt DIN603 M10x50 2pcs



16. Nylock nut DIN985 M10 2pcs



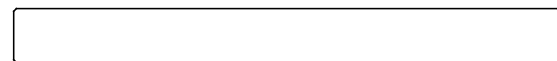
17. Hex head screw IS07380 M8x20 8pcs



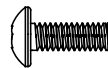
19. Washer DIN125A M8 8pcs



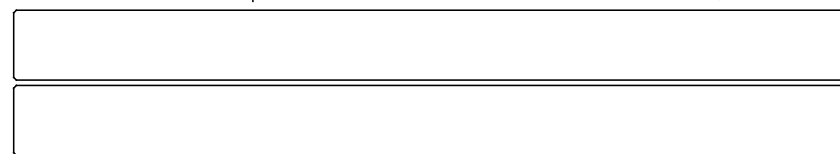
22. Washer DIN7021 M6 $\phi 6.5 \times \phi 16 \times T1.5$ 2pcs



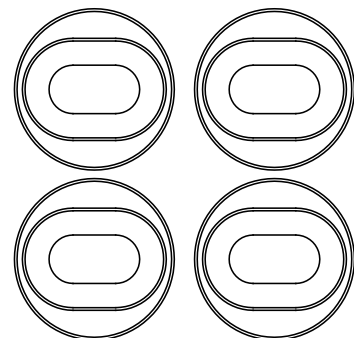
23. Axle $\phi 10 \times 102.5$ 1pcs



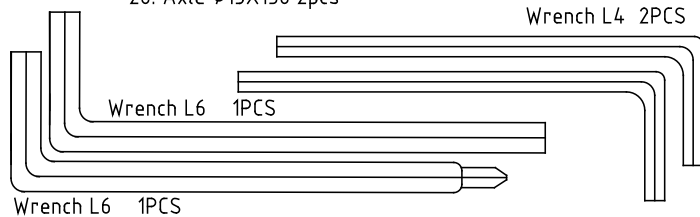
24. Screw DIN7985A M5x15 1pcs



26. Axle $\phi 13 \times 156$ 2pcs



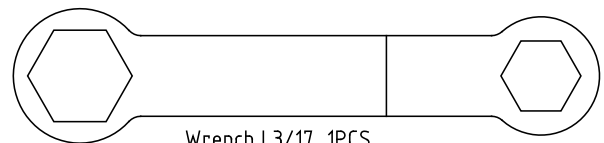
20. Stopper 4pcs



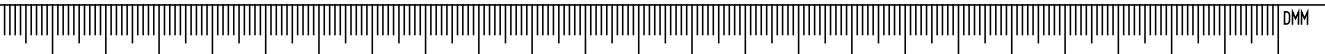
Wrench L4 2PCS

Wrench L6 1PCS

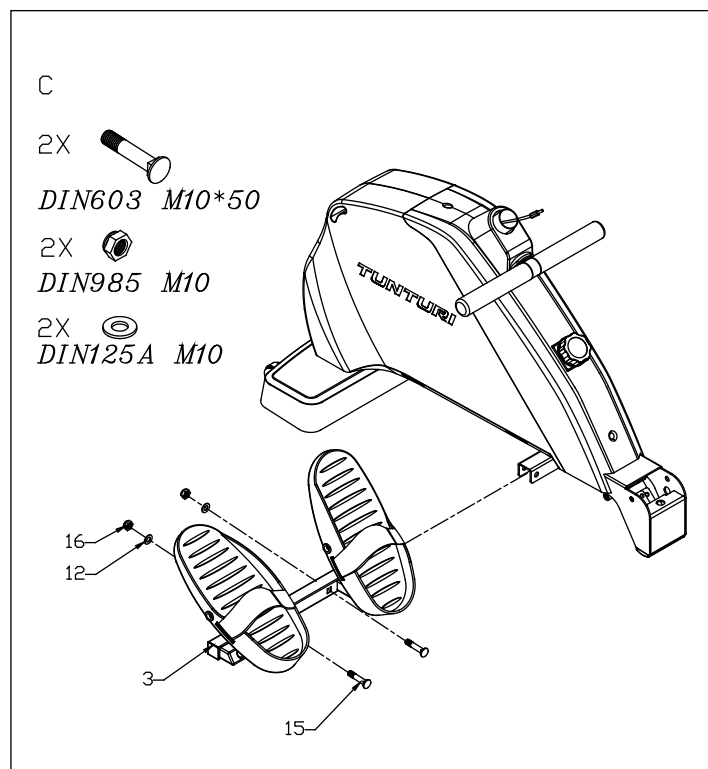
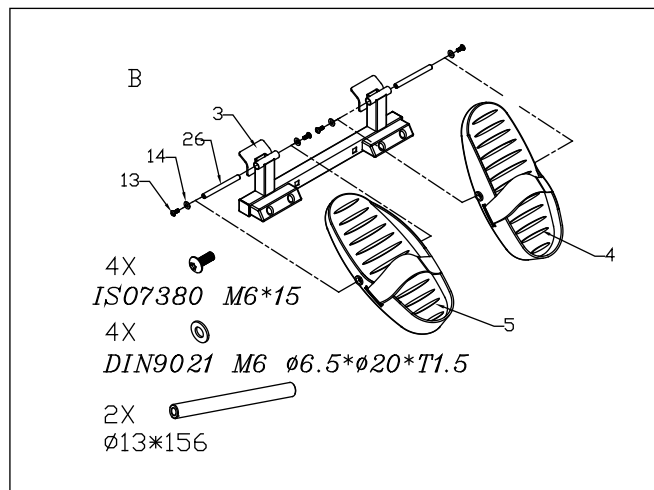
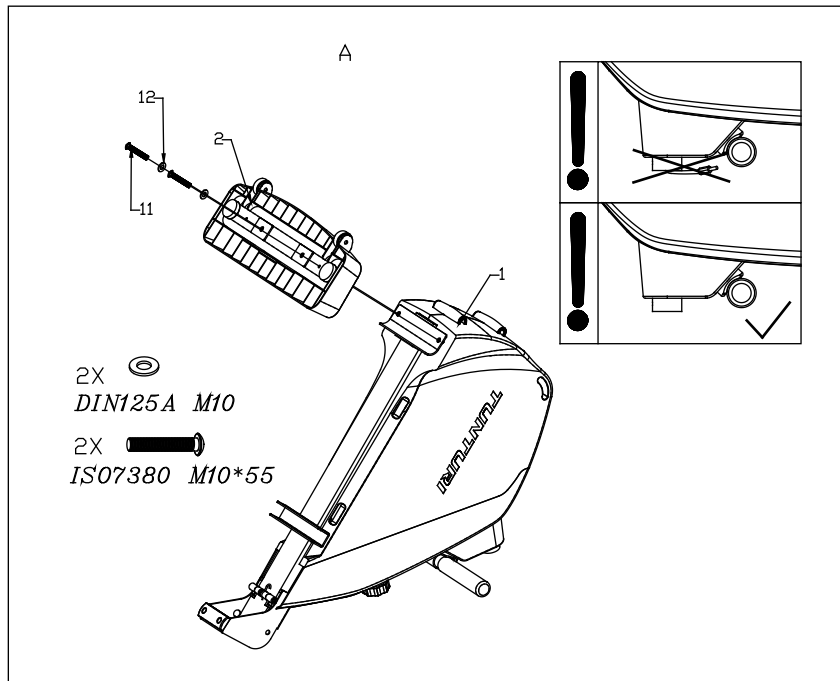
Wrench L6 1PCS

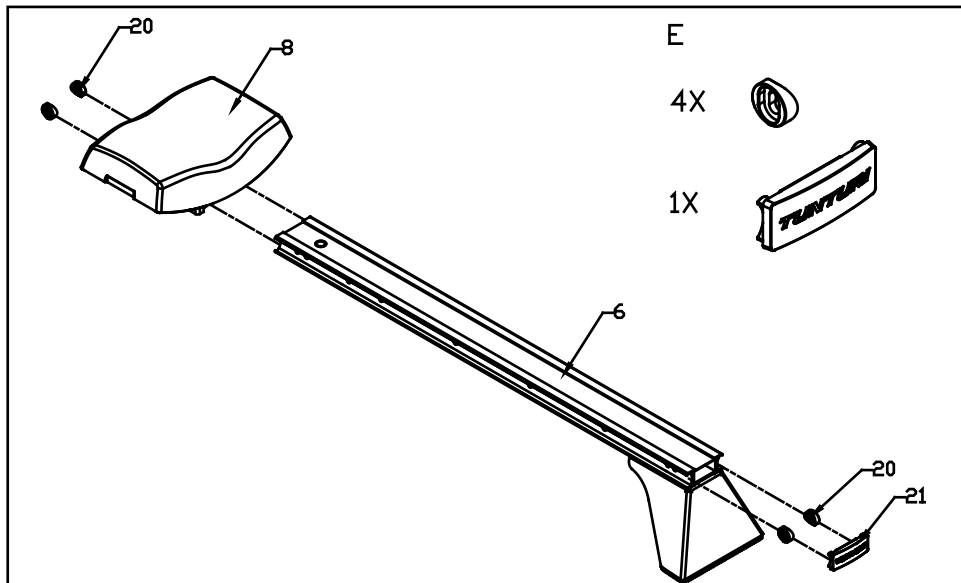
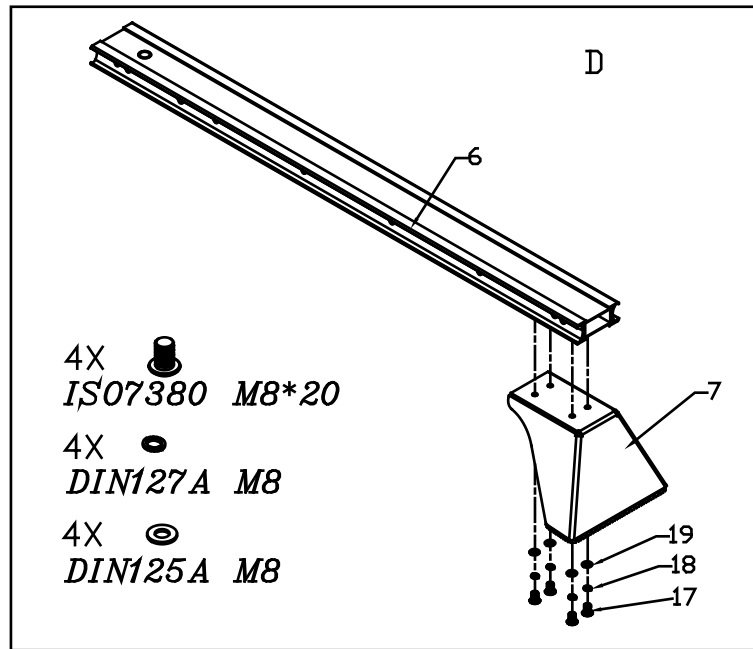


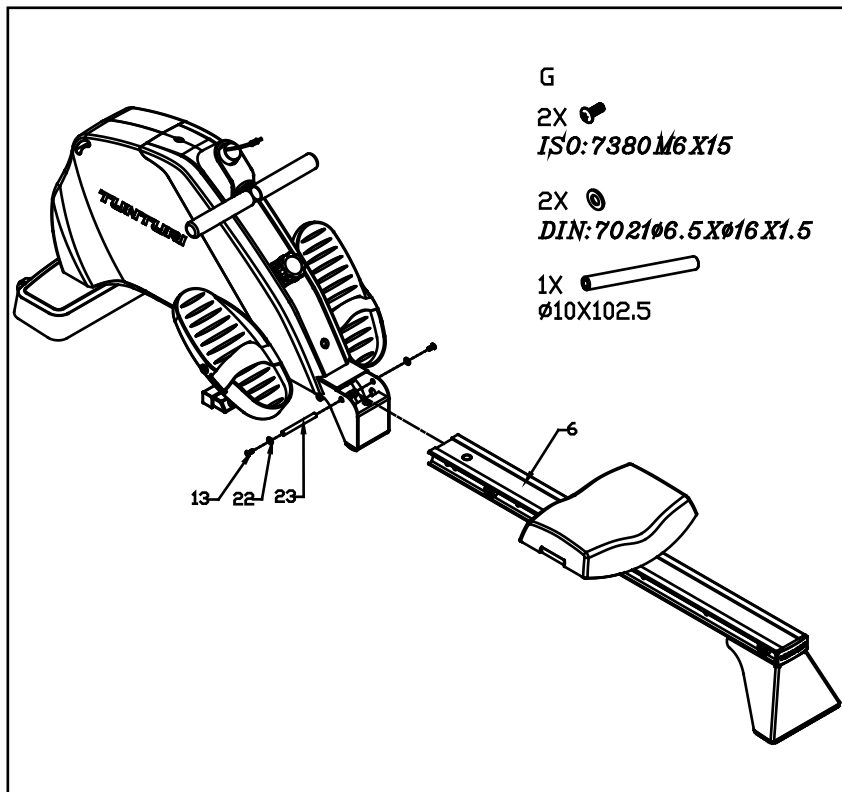
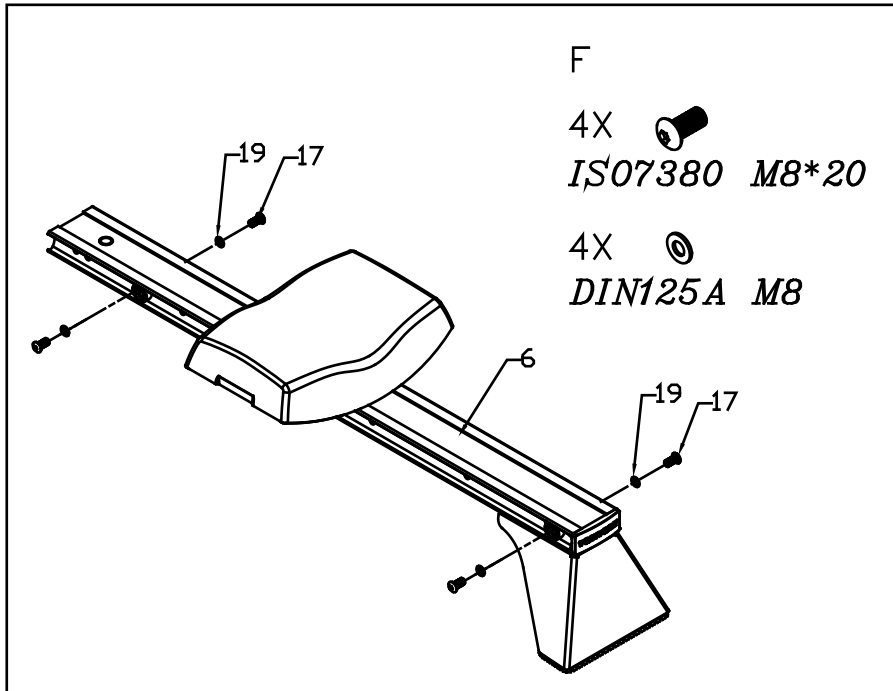
Wrench L3/17 1PCS

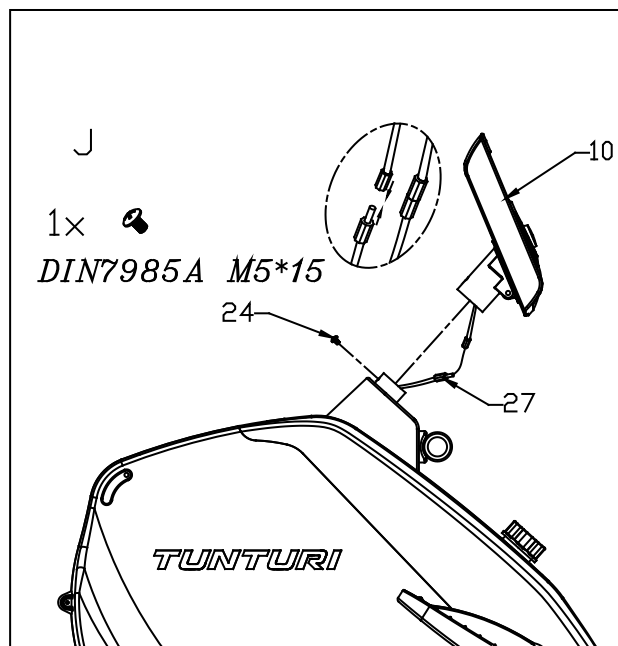
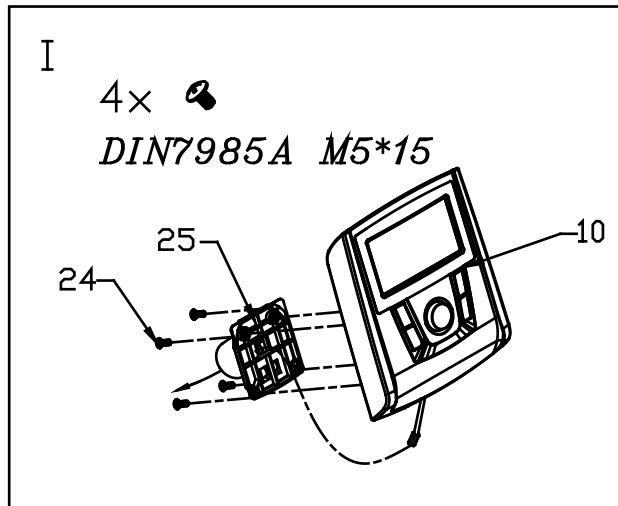
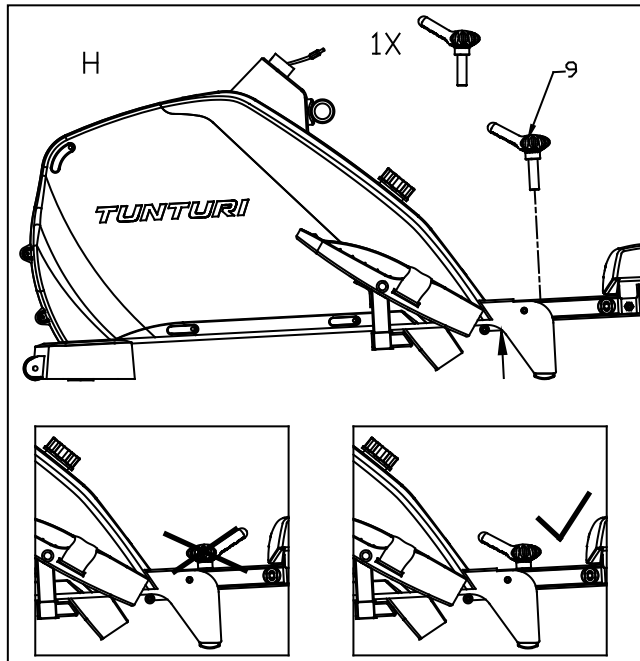


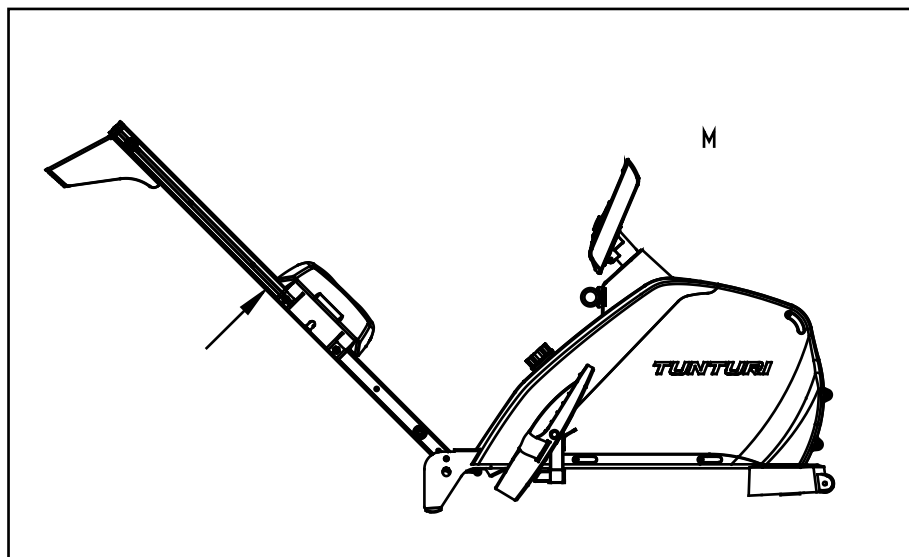
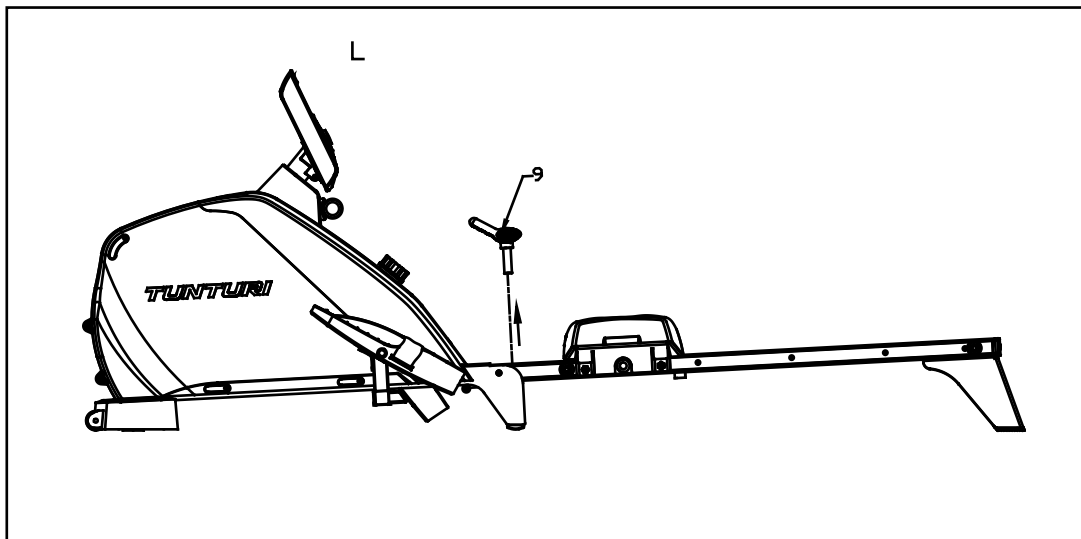
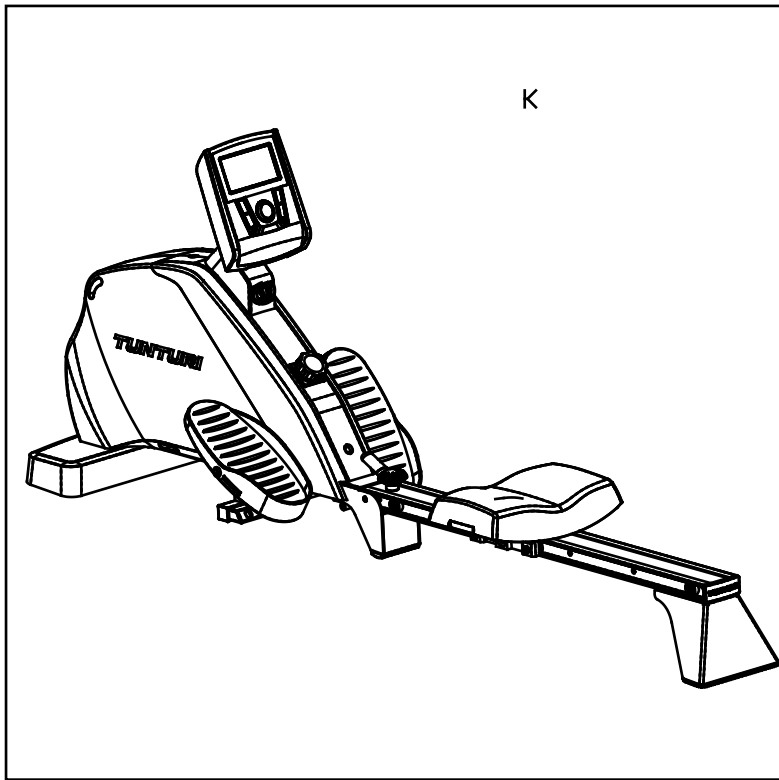
DMM

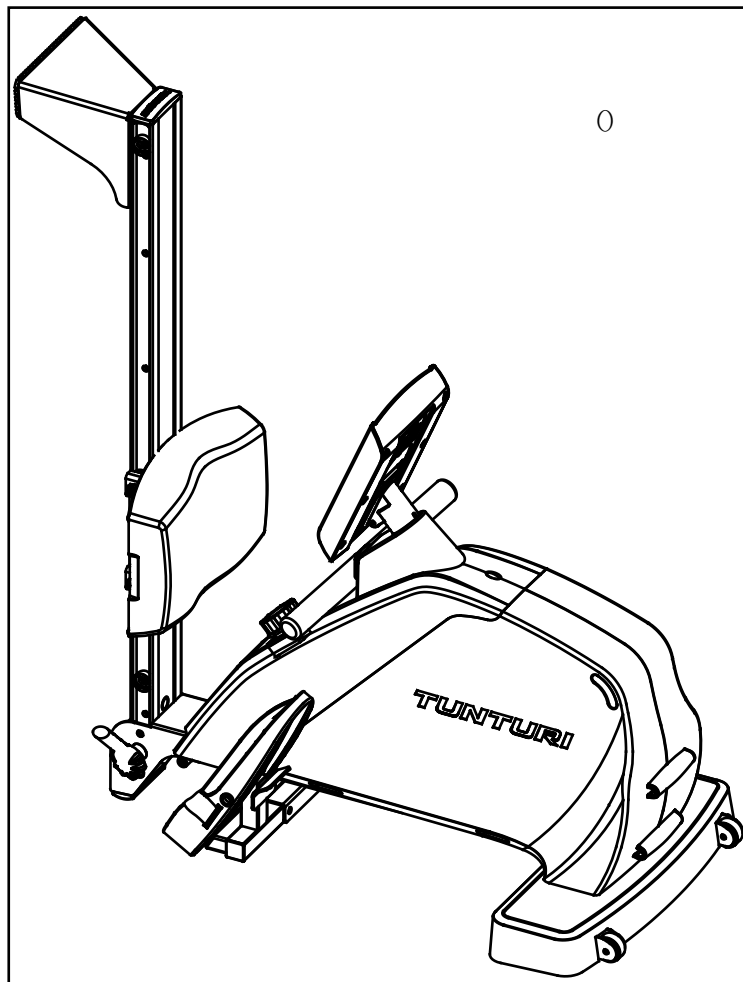
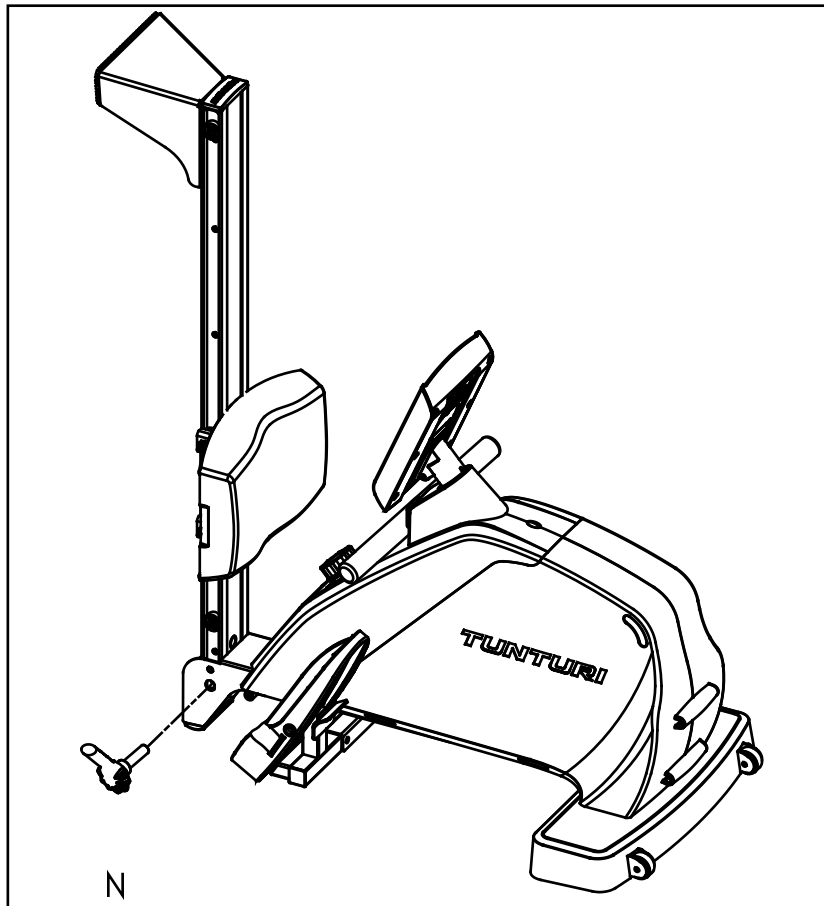






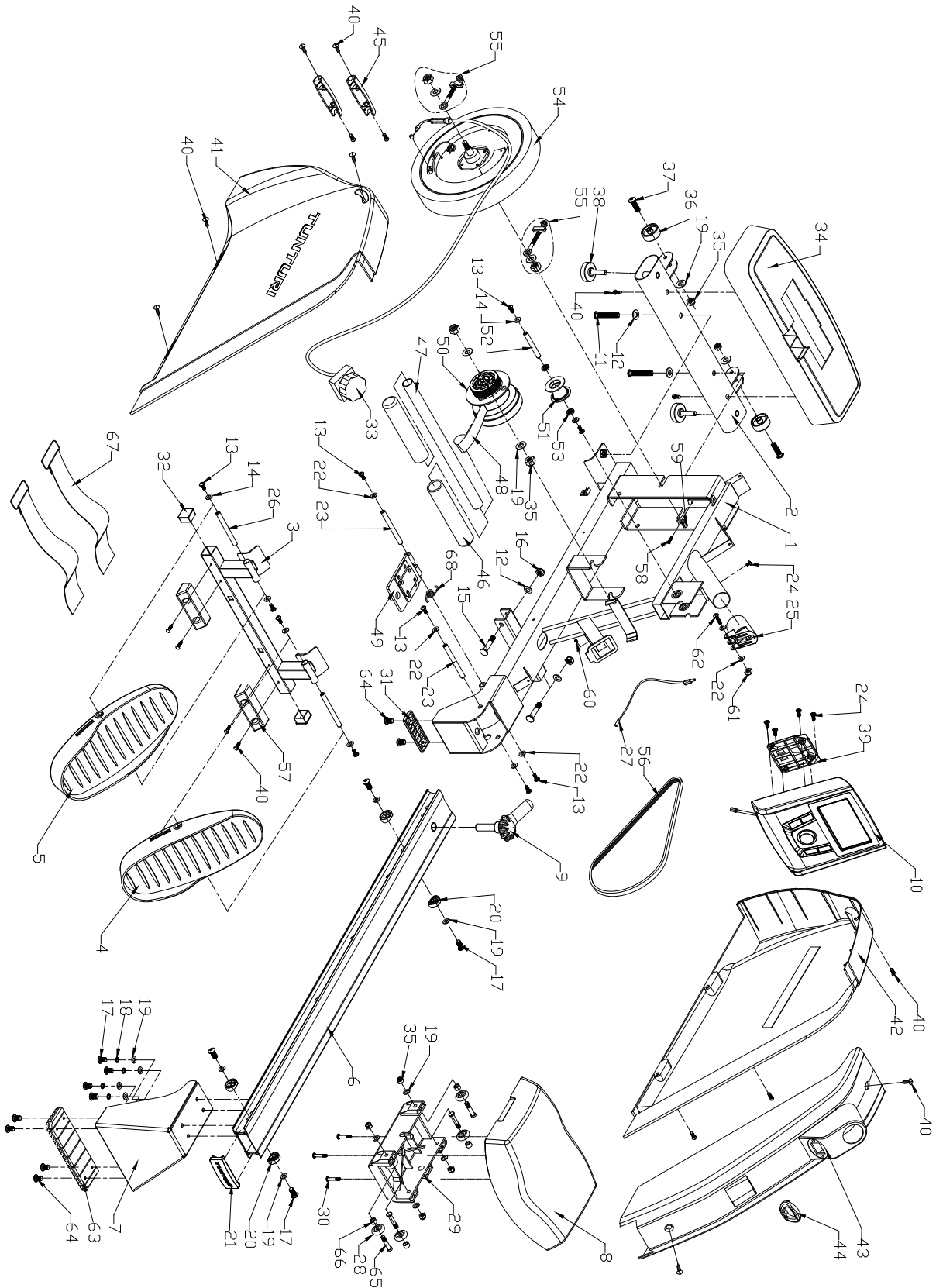






				58	DIN7981C 5*10	Screw	1
1	103 2110	Frame	1	59	503 4122	Sensor bracket	1
2	103 2111	Front foot	1	60	DIN7985A M5*25	Bolt	1
3	103 2112	Pedal support	1	61	DIN985 M6	Nyloc nut	1
4	363 1036	Right pedal	1	62	DIN7985A M6*48	Bolt	1
5	363 1037	Left pedal	1	63	533 4173	Rear rubber foot	1
6	103 2113	Rail tube	1	64	DIN7985A M5*10	Bolt	6
7	103 2114	Rear foot	1	65	303 1074	Axle	4
8	153 1062	Seat	1	66	653 1060	Bushing	4
9	373 9017	Locking Knob	1	67	443 2023	Foot Strap	2
10	235 1124	User Interface	1	68	643 2020	Spring	1
11	ISO7380 M10*55	Hex head screw	2		103 9097	Front foot assy	
12	DIN 125A M10	Washer	4			(incl. 2,34,35,36,37,38,40)	1
13	ISO 7380 M6*15	Hex head screw	10		103 9098	Rear foot assy (incl. 63, 64)	1
14	DIN9021				153 1063	Seat assy	
	M6 6.5*20*T1.5	Washer	6			(incl. 8,29,27,65,66,67,68)	1
15	DIN603 M10*50	Bolt	2		423 1206	Label set	1
16	DIN985 M10	Nylock nut	2		553 1036	Hardware kit	1
17	ISO7380 M8*20	Hex head screw	8		583 9046	Owner's manual	1
18	DIN127A M8	Spring washer	4				
19	DIN125A						
	M8 8.5*16*T1.5	Washer	16				
20	533 9105	Stopper	4				
21	533 9106	End cap	1				
22	DIN7021						
	M6 6.5*16*T1.5	Washer	6				
23	303 1071	Axle	2				
24	DIN7985A M5*15	Screw	5				
25	503 4120	UI Bracket					
		(incl. 25, 39, 61, 62, 22*2)	1				
26	303 1072	Axle	2				
27	403 1258	Sensor wire	1				
28	523 4093	Seat Roller	4				
29	103 2115	Seat frame	1				
30	DIN7985A M6*35	Bolt	3				
31	533 4171	Middle rubber foot	1				
32	533 6048	End cap	2				
33	373 9018	Tension Controller	1				
34	533 9107	Front foot cover	1				
35	DIN985 M8	Nylock nut	4				
36	533 4172	Transport wheel	2				
37	ISO7380 M8*35	Hex head screw	2				
38	653 1059	Height adjustment screw	2				
39	173 9172	UI plate (included in 25)	1				
40	DIN7981C 5*15	Screw	14				
41	173 9173	Side cover(Left)	1				
42	173 9174	Side cover(Right)	1				
43	173 9175	Top cover	1				
44	533 9108	Handlebar stopper	1				
45	173 9176	Screw cover	2				
46	203 9072	Handle bar grip	2				
47	213 2013	Handlebar	1				
48	443 9008	Rope	1				
49	103 2116	Locking Plate	1				
50	643 2017	Spring assy	1				
51	303 1070	Rope pulley	1				
52	303 1073	Axle	4				
53	523 4077 20	Bearing	2				
54	303 1068	Flywheel	1				
55	303 1069	Flywheel adjuster	2				
56	443 2022	Belt	1				
57	533 9113	Pedal stopper	2				

Tunturi R25 - 09TUR25000
Applies to all -09 models



TUNTURI®

Austria

Accell Fitness Österreich
Am Messendorfgrund 30
A-8042 Graz
Österreich
Tel: +43 316 716412
Fax: +43 316 716435

Benelux

Accell Fitness Benelux
Koningsbeltweg 51
1329 AE ALMERE
The Netherlands
Tel: +31 36 5460050
Fax: + 31 36 5460055

Finland

Accell Fitness Scandinavia
Varusmestarintie 26
20361 TURKU
Finland
Tel: +358 2513 31
Fax: +358 2513 313

Germany

Accell Fitness Deutschland
P/a Koningsbeltweg 51
1329 AE ALMERE
The Netherlands
Tel: +31 36 5460050
Fax: + 31 36 5460055

United Kingdom

Accell Fitness United Kingdom
Bolton House
Nottingham South Industrial Estate
Ruddington Lane
Wilford
Nottingham NG11 7EP
United Kingdom
Tel: +44 115 9822844
Fax: +44 115 9817784

Sweden

Accell Fitness Scandinavia
Varusmestarintie 26
20361 TURKU
Finland
Tel: +358 2513 31
Fax: +358 2513 313

Switzerland

Accell Fitness Schweiz
Altgraben 31
CH-4624 Härlungen SD
Schweiz
Tel: +41 (0)62-3877979
Fax: +41 (0)62-3877970

USA / Canada

Accell Fitness North America Inc.
130 Hayward Ave, Suite 2
N2C 2E4
Kitchener, ON Canada
Tel. 1-888-388-6887
Fax: 1-519-576-2521

www.accellfitness.com

Free Manuals Download Website

<http://myh66.com>

<http://usermanuals.us>

<http://www.somanuals.com>

<http://www.4manuals.cc>

<http://www.manual-lib.com>

<http://www.404manual.com>

<http://www.luxmanual.com>

<http://aubethermostatmanual.com>

Golf course search by state

<http://golfingnear.com>

Email search by domain

<http://emailbydomain.com>

Auto manuals search

<http://auto.somanuals.com>

TV manuals search

<http://tv.somanuals.com>