

# J3F

**OWNER'S MANUAL**

**BETRIEBSANLEITUNG**

**MODE D'EMPLOI**

**MANUALE D'USO**

**MANUAL DEL USUARIO**

**HANDLEIDING**

**BRUKSANVISNING**

**KÄYTTÖOHJE**



- SERIAL NUMBER • SERIENNUMMER
- NUMERO DE SERIE • NÚMERO DE SERIE
- NUMERO DI SERIE • SERIENNUMMER
- SERIENNUMMER • SARJANUMERO

[www.tunturi.com](http://www.tunturi.com)

**TUNTURI®**  
THE MOTOR – *it's you.*

# OWNER'S MANUAL J3F

## IMPORTANT SAFETY

## INSTRUCTIONS

This Owner's Manual is an essential part of your training equipment: reading all instructions in this manual before you start using this appliance. The following precautions must always be followed:

### WARNING

- Never use extension cords between the treadmill and your wall outlet. The device's maximum power consumption is 10 A. Outlets with fluctuating voltage of more than 5 % may result in erratic performance or cause damage to treadmill electronics. Using electrical power other than that, which has been specified in this manual will ultimately void any warranty, implied or otherwise.

**WARNING:** to reduce any risk to persons:

- Keep hands clear of any moving parts. Never place hands, feet or any other objects into any opening or under the treadmill.
- Never leave the treadmill unattended when plugged in. Unplug from outlet when not in use, before putting on or taking off parts. To disconnect, turn all controls to the off position, then remove plug from outlet.
- Close supervision is necessary when the treadmill used by, on, or near children, invalids, or disabled persons.
- Use the treadmill only for its intended use as described in this manual. Do not use attachments not recommended by Tunturi.
- Before you start using the treadmill, make sure that it functions correctly in every way. Do not use a faulty device.
- Keep the cord away from heated surfaces.
- J3F must not be used outdoors. J3F tolerates an environment measuring +10°C to +35°C. Air humidity must never exceed 90 %.
- Do not attempt any servicing or adjustment other than those described in this manual. The given instructions must be followed carefully.
- Never operate this treadmill if it has a damaged cord or plug, if it has been dropped or damaged, or dropped into water. Return the treadmill to a service center for repair.
- Never operate the appliance with the air opening blocked. Keep the air openings free of lint, hair, and the like.
- Do not operate where aerosol (spray) products are being used or where oxygen is being administered.

- The device must not be used by persons weighing over 110 kg (245 lbs).
- J3F is designed for household use only. The warranty of 12 months applies only for faults in household use.

### SAVE THESE INSTRUCTIONS!

Welcome to the world of Tunturi exercising!

Your choice shows that you really want to invest in your well-being and condition; it also shows you really value high quality and style. With Tunturi Fitness Equipment, you've chosen a high-quality, safe and motivating product as your training partner. Whatever your goal in training, we are certain this is the training equipment to get you there.

## ASSEMBLY

Before assembling the device, insure all parts are present:

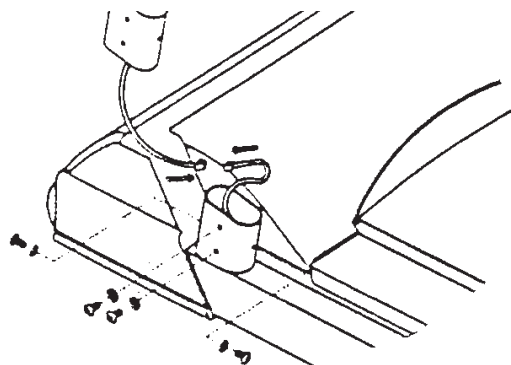
1. Frame
2. Handlebars (2)
3. Horizontal handlebar
4. Meter
5. Power cord
6. Assembly kit (contents are marked with an \* in the spare part list)

In case of problems contact your Tunturi dealer. The directions left, right, front and back are defined as seen from the exercising position.

To avoid injury, you must fold up the deck prior to lifting the treadmill out of the box.

### HANDRAILS

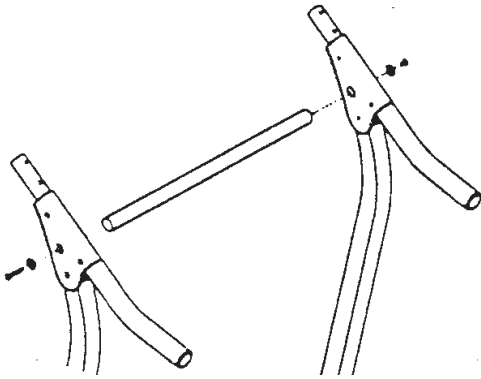
Connect the wires before you assemble the handrails. Secure each handrail with four washers and bolts. **NOTE:** Do not tighten these bolts until the horizontal handlebar and monitor have been secured.



### HORIZONTAL HANDLEBAR

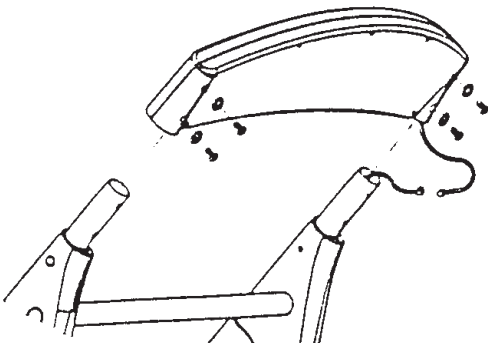
The horizontal handlebar (rod) is tapered on one side. Insert the tapered end of the rod into the right handrail before fitting the rod into the

left side. **NOTE:** the left side is secured with the long bolt while the right side is secured with the short bolt. Do not tighten these bolts until the monitor has been secured.



### MONITOR

Connect the wires then push the monitor onto the handrails. You may have to shake the handrails from side to side to get the monitor to fit. Once you have the monitor in place, secure and tighten the bolts on the monitor. Tighten all bolts. Remove the protective film from the display.



### POWER CORD AND GROUNDING

#### INSTRUCTIONS

Plug the socket end of the power cord into the treadmill at the lower right front corner. Before connecting the device to a power source, make sure that local voltage matches that indicated on the type plate. The treadmill operates at 230 V. Turn on the power using the switch next to the socket on the treadmill.

This treadmill must be grounded. If it should malfunction or breakdown, grounding provides a path of least resistance for electrical current to reduce the risk of electrical shock. This product is equipped with a cord having an equipment-grounded conductor and a grounding plug. The plug must be plugged into an appropriate outlet that is properly installed and grounded in accordance with all local codes and ordinances. Do not use extension cables when connecting the equipment to the power source.

**DANGER!** Improper connection of the equipment-grounding conductor can result in a

risk of electric shock. Check with a qualified electrician or serviceman. If you are in doubt as to whether the product is properly grounded. Do not modify the plug provided with the product - if it will not fit the outlet, have a proper outlet installed by a qualified electrician.

### SAFETY TETHER KEY

The treadmill cannot be used if the tether key is not properly installed on the meter; if the key is removed from its place, the treadmill will immediately stop. Insert the safety tether key into the key holder at the left side of the meter. Ensure that the clip of the safety tether key is properly attached to your clothing; as the cord tightens, make sure the clip does not detach itself from your clothing before the safety tether key disconnects from the user interface.

## EXERCISING

### ABOUT YOUR HEALTH

- Before you start any training, consult a physician to check your state of health.
- If you experience nausea, dizziness or other abnormal symptoms while exercising, stop your workout at once and consult a physician.
- To avoid muscular pain and strain, begin and end each workout by stretching.

### ABOUT THE EXERCISE ENVIRONMENT

- J3F is designed for household use only.
- Make sure the exercise environment has adequate ventilation. To avoid catching cold, do not exercise in a draughty place.
- Place the treadmill on a firm, level surface. Allow 120 cm or 4 feet of clearance behind the treadmill and 60 cm or 2 feet on either side and in front of the treadmill.
- We recommend that the equipment is placed on a protective base.

### ABOUT USING THE EQUIPMENT

- Always unplug the treadmill from the electrical outlet after each training session.
- Only one person may use the equipment at a time.
- Keep hands clear of any moving parts. Never place hands, feet or any other objects under the treadmill.
- Wear appropriate clothing and shoes when exercising. Make sure your shoelaces are properly tied. To avoid injury and unnecessary wear on your treadmill, be sure your shoes are free of any debris such as gravel and small pebbles.

### ADJUSTING THE ELEVATION

There are three elevation levels ( $2^\circ = 3.5\%$ ,  $3.5^\circ = 6.1\%$ ,  $5^\circ = 8.7\%$ ). Support deck with your left

hand while you pull out the adjustment knob with your right hand. Snap the knob back into the desired position. Check to make sure it is secured in position.

### BEGINNING AN EXERCISE SESSION

- To avoid muscular pain and strain, begin and end each workout by stretching.
- Stand on the landing rails to the left and right of the running belt. Do not stand on the running belt.
- Always hold the handrail for support when getting on or off the treadmill and when changing the speed during exercise. Do not jump off the running belt while it is moving!
- If you experience nausea, dizziness or other abnormal symptoms while exercising, stop your workout at once and consult a physician.

### FINISHING AN EXERCISE SESSION

- Never leave the safety tether key in the treadmill.
- Use the main power switch to turn the unit off.
- Unplug the electrical cord from the wall outlet and from the treadmill.
- If necessary clean the treadmill from sweat with a damp cloth. Do not use solvents.
- Store the electrical cord where it is clear from all pathways and out of childrens' reach.

### HOW TO MOTIVATE YOURSELF

#### TO CONTINUE

In order to reach the goals you have set, you'll need to keep finding the motivation to continue so you achieve your ultimate goal: life-long health and a new quality of living.

- Set yourself realistic targets.
- Progress step-by-step according to your schedule.
- Keep a fitness diary and write down your progress.
- Change your way of exercising from time to time.
- Use your imagination.
- Learn self-discipline.

One important aspect of your training is versatility. Varying your training exercises different muscle groups and helps maintain motivation.

No matter what your goal, you'll get the best results by training at the right level of effort, and the best measure is your own heart-rate. First find your maximum heart-rate i.e. where the rate doesn't increase with added effort. If you don't know your maximum heart-rate, please use the following formula as a guide:

**WOMEN: 226 - age** **MEN: 220 - age**

These are average values and the maximum varies from person to person. The maximum heart-rate

diminishes on average by one point per year. If you belong to one of the risk groups mentioned earlier, ask a doctor to measure your maximum heart-rate for you. We have defined three different heart-rate zones to help you with targeted training.

#### **BEGINNER: 50-60 % of maximum heart-rate**

Also suitable for weight-watchers, convalescents and those who haven't exercised for a long time. Three sessions a week of at least a half-hour each is recommended. Regular exercise considerably improves beginners' respiratory and circulatory performance and you will quickly feel your improvement.

#### **TRAINER: 60-70 % of maximum heart-rate**

Perfect for improving and maintaining fitness. Even reasonable effort develops the heart and lungs effectively, training for a minimum of 30 minutes at least three times a week. To improve your condition still further, increase either frequency or effort, but not both at the same time!

#### **ACTIVE TRAINER:**

#### **70-80 % of maximum heart-rate**

Exercise at this level suits only the fittest and presupposes long-endurance workouts.

### FUNCTION KEYS

**STOP** Slows the running belt gradually to a complete stop.

**SPEED CONTROL KEYS** Speed control keys (Tortoise/Hare) are located below the display. Hare key increases the belt speed in 0,1 km/h increments, the tortoise key decreases it in 0,1 km/h increments. Pressing these keys longer makes the speed change faster. Track speed ranges from 1,0-12 km/h.

**SELECT** Before you press the green start key, it selects the preset programs. P1-Easy walking, P2-weight loss, P3-strength training. Once you have pressed the green start key, you may select the display value of either distance or calories.

**START** Activates and slowly increases the speed of the running belt until it reaches your set training speed.

### DISPLAYS

**TIME** 0:00 to 59:59, 1 second increment

**DISTANCE** 0-19.9 km, 1 km increment

**CALORIES** 0-999 calories, 1 calorie increment

**SPEED** 1-12 km/h, 0,1 km/h increment

## TRAINING WITHOUT PRESET PROGRAM

Once the power is turned on and the safety key is secured in place, you will see all values display zero. Simply press the speed up key to the desired training speed. The minimum training speed is 1.0 km/h. Once you have input the training speed, press the green start button. Time will count down from three seconds before the running belt will pick up speed. You may increase or decrease speed at any time during your workout by pressing the speed arrow key up or down.

You can also start the training by pressing the green START-key. The belt starts moving at the speed of 1.0 km/h. After this, you can set the speed with the HARE / TORTOISE -keys.

## TRAINING WITH PRESET PROGRAM

Once the power is turned on and the safety key is secured in place, you may press SELECT to choose any one of the three pre-set programs.

- P1**- easy walking
- P2**- weight loss
- P3**- strength training

Once you have made your selection, press START key to activate the treadmill. Each program is set for a thirty minute workout. Each segment is one minute long. During any segment if you feel the speed difficult to maintain, you may adjust the speed to the desired level by pressing the down arrow key. This change will only affect the current segment. For the next segment, the belt speed will automatically go back to the pre-set speed according to the program profile.

## MAINTENANCE

**CAUTION!** Do not attempt any servicing or adjustment other than those described in this manual. Any other servicing must be performed by an authorized service representative. Check the tightness of all fixing screws once a year. Do not overtighten.

## LUBRICATING THE RUNNING DECK

Lubrication is the most important service activity for the treadmill. This is absolutely essential, if the friction of the running deck increases noticeably or the motor begins to heat up; increased friction is indicated by jerky movement of the belt. Insufficient lubrication will cause the belt, running deck and motor to wear out and break. The need for re-lubrication depends to a great extent on the running styles and weight of the user: heavy user weight and slow speed put particular strain on the device and therefore demand greater lubrication. The running deck require periodic lubrication. With average usage (30 minute workout session 3 times a week for two people) lubricate with silicon every four to six months. You may adjust

the timing of the lubrication based on the intensity of the treadmill use level. To check the lubrication level, simply lift the running belt, and put your hand as far into the center of the belt as you can reach. If your hand shows signs of lubricant (some wetness), then it does not need additional lubrication. If the board feels dry and there is very little evidence of silicone on your hand, then additional lubrication should be added as instructed:

1. Stop running belt so belt seam is located on the top and in the center of the deck.
2. Insert nozzle into spray head of lubricant can.
3. Lift running belt.
4. Position nozzle between the belt and the board approximately 200mm (8") from the front of the treadmill.
5. Apply T-Lube from the front to the rear of the treadmill on each side of the treadmill. Try to reach the spray as far into the center of the running deck as possible.
6. The treadmill is instantly ready for use.

**NOTE!** Lubricate your treadmill only with T-Lube lubricant. Contact your local Tunturi distributor for further supplies of T-Lube.

## CLEANING THE TREADMILL

Wipe the treadmill surfaces, especially the handlebars and meter from dust with a damp cloth or towel. Do not use solvents. Use a small vacuum nozzle to carefully vacuum around all visible components (belt, running deck, side rails etc.). To clean the underside of the treadmill, lift the running deck to the storage position.

## ALIGNING THE RUNNING BELT

Monitor belt tracking during exercise and make adjustments as needed. The belt should run in the centre of the treadmill. Alignment is not usually needed, provided

- the treadmill is placed on an even, solid and horizontal surface and the belt is correctly tensioned

- the alignment of the belt is correct

It is, however, possible for the belt to be pushed to one side due to the user's running style (e.g. more weight on one foot). The alignment of the belt is adjusted by turning the two bolts at the back of the treadmill.

### Align the belt according to the following instructions:

1. Turn the power switch on and increase the treadmill's speed to 5 km/h (3 mph).
2. If the belt drifts to the left, turn the left adjustment bolt ¼ turn clockwise and the right adjustment bolt 1/8 turn anti-clockwise. If the belt drifts to the right, turn the right adjustment bolt ¼ turn clockwise and the left adjustment bolt ¼

turn anti-clockwise.

**3.** If the belt remains centered the adjustment is correct. If not, continue to make small adjustments as above until the belt is correctly aligned. If the belt is allowed run across to one side for long periods of time the edges of the belt may be damaged and the treadmill may not continue to operate correctly. Any damage to the belt caused by the lack of necessary adjustment will not be covered by the warranty.

### ADJUSTING THE BELT TENSION

The belt must be tensioned if it begins to slip on the rollers. In normal use, however, keep the belt as loose as possible! The belt tension is adjusted by turning the same screws as used for aligning the running belt. If turning the screws will not effect the belt tension, please contact your local Tunturi dealer.

- 1.** Increase the treadmill's speed to 5 km/h (3 mph).
- 2.** Turn both adjustment screws an equal amount, ¼ turn clockwise.
- 3.** Try to slow the belt down by holding onto the handrails and braking as you walk (as if you were walking downhill). If the belt slips, turn another ¼ turn and repeat the test. When braking heavily the belt may slip. If the belt keeps slipping despite repeated adjustments, please contact your local Tunturi dealer.

### MALFUNCTIONS

**NOTE!** Despite continuous quality control, defects and malfunctions caused by individual components may occur in the equipment. In most cases it's unnecessary to take the whole device in for repair, as it's usually sufficient to replace the defective part. Always give the model, serial number of your equipment and in case of malfunctions also conditions of use, nature of malfunction and any error code.

When you encounter unusual behavior from the treadmill, simply turn the power switch off, wait 1 minute and turn the power switch on to reset the treadmill. This should clear incidental errors and ready the treadmill for normal operation again. If after you have reset the treadmill by turning the power switch off and on again, and the treadmill is still not operational, contact your local Tunturi dealer for service.

If you require spare parts, always give the model, serial number of your equipment and the spare part number for the part you need. The spare part list is at the back of this manual. Use only spare parts mentioned in the spare part list.

### ERROR CODES

The user interface will display information about any operational faults. An error code begins with the abbreviation Err.

**ERR 1:** speed sensor error. Turn the power switch off and on again to reset the treadmill. If treadmill recovers to normal operation, you may continue to use the treadmill. If treadmill does not recover to normal operation, then call the dealer for service.

**ERR 2:** over speed error.

Call your dealer for service.

**ERR 3:** safety key error. Secure the safety key in place and continue training.

### PROTECTIVE CIRCUIT

To protect your safety, this treadmill is designed and equipped with run away protection.

If the admissible operating speed of the trainer is exceeded or fallen below, the protective circuit will shut off the treadmill to protect you and the equipment. The treadmill will flicker all display values to alert the user to the condition. Reset the treadmill by turning the power switch off for 1 minute and then on again. This will return the treadmill back to normal operating mode.

### MOVING AND STORAGE

Folding and unfolding of this treadmill is made easy with the assistance of gas cylinder. After the treadmill has come to a complete stop, unplug the power cord from the wall and the treadmill. Fold up the deck; when you hear a click, the deck is locked in place. The folding lock mechanism is located on the lefthand rail. To release the folding lock, support the deck with your right hand while you release the lock with your left hand. Deck is ready to be positioned horizontally on the ground.

**NOTE!** Please handle with caution although it is designed with the gas cylinder taking most of the weight off the deck.

Before moving J3F, be sure the power cord is unplugged from the wall and the treadmill. Fold up the running deck until it is locked and push the equipment on the transportation wheels. Lower the treadmill carefully onto the floor.

**NOTE!** Transport the treadmill with extreme caution over uneven surfaces, for example over a step. The treadmill should never be transported upstairs using the wheels over the steps, instead it must be carried.

**NOTE!** The running belt needs to be realigned and centered after moving.

To prevent malfunctioning of the treadmill, store it in a dry place with as little temperature variation as possible, protected against dust. Always unplug the treadmill from the electrical outlet when not in use.

## TECHNICAL DATA

**LENGTH** (storage position) 160 cm (64 cm)  
**HEIGHT** (storage position) 137 cm (155 cm)  
**WIDTH** 76 cm  
**WEIGHT** 68 kg  
**RUNNING SURFACE** 40 x 128 cm  
**SPEED** 1,0 -12 km/h  
**ELEVATION RANGE**  
 2° = 3.5%, 3.5° = 6.1%, 5° = 8.7%  
**MOTOR** 1,5 HP (continuous duty)

J3F treadmill meets the requirements of the EU's EMC Directives on electromagnetic compatibility (89/336/EEC) and electrical equipment designed for use within certain voltage limits (73/23/EEC). This product therefore carries the CE label. J3F treadmill meets EN precision and safety standards (Class B, EN-957, parts 1 and 6).

Due to our continuous policy of product development, Tunturi reserves the right to change specifications without notice.

**CAUTION!** The instructions must be followed carefully in the assembly, use and maintenance of your equipment. The warranty does not cover damage due to negligence of the assembly, adjustment and maintenance instructions described herein. Changes or modifications not expressly approved by Tunturi Oy Ltd will void the user's authority to operate the equipment!

**We wish you many enjoyable trainings with your new Tunturi training partner!**

## BETRIEBSANLEITUNG

### J3F

## WICHTIGE

## SICHERHEITSHINWEISE

Dieses Handbuch ist ein wesentlicher Bestandteil Ihres Trainingsgerätes. Lesen Sie es bitte sorgfältig durch, bevor Sie Ihr Trainingsgerät montieren, mit ihm trainieren oder es warten. Bitte bewahren Sie dieses Handbuch auf; es wird Sie jetzt und zukünftig darüber informieren, wie Sie Ihr Gerät benutzen und warten. Befolgen Sie diese Anweisungen immer sorgfältig.

Ihr Heimtrainer wurde für das Heimtraining entwickelt. Sowohl Tunturi, als auch seine nationalen Vertretungen übernehmen keine Haftung für Verletzungen oder Geräteschäden. Die sich bei Dauereinsatz in gewerblichen Fitnesscentern, Sportvereinen und vergleichbaren Einrichtungen ergeben. Für Schäden, die durch Missachtung der in diesem Handbuch beschriebenen Montage-, Einstellungs- und Wartungsinstruktionen entstehen, besteht kein Garantieanspruch!

- Das Gerät nur an geerdete Schukosteckdosen anschliessen und zum Anschluss kein Verlängerungskabel verwenden. Schwankungen in der Netzspannung von mehr als 5 Prozent können zu Fehlfunktionen des Gerätes führen und die Elektronik beschädigen. Die Leistungsaufnahme kann maximal 10 A betragen. Die Garantie erlischt, wenn das Gerät nicht diesen Anleitungen entsprechend angeschlossen wird.
- Modifikationen an Steckdosen und Netzkabel dürfen nur von Fachkräften durchgeführt werden, die mit der Wartung von elektromechanischen Geräten vertraut sind und eine gültige Genehmigung für die Durchführung derartiger Wartungs- und Reparaturarbeiten haben.
- Suchen Sie vor dem Trainingsbeginn einen Arzt auf, der Ihren Gesundheitszustand feststellt.
- Bei Übelkeit, Schwindelgefühl oder anderen ungewöhnlichen Symptomen während des Trainings, beenden Sie Ihre Übung und suchen Sie einen Arzt auf.
- Keine anderen als die in dieser Gebrauchsanweisung beschriebenen Wartungsmassnahmen und Einstellungen vornehmen. Vor Montage- und Reparaturarbeiten das Gerät ausschalten und den Netzstecker ziehen.
- Das Gerät darf nicht von Personen benutzt werden, deren Gewicht über 110 kg liegt.
- Dieses Gerät ist zugelassen für das Training zu

Hause. Die Garantie von 12 Monaten ist gültig nur in der Anwendung im Heimbereich.

### Herzlich Willkommen in der Welt des Trainierens mit Tunturi!

Durch Ihren Kauf haben Sie bewiesen, dass Ihnen Ihre Gesundheit und Ihre Kondition viel wert sind; auch haben Sie gezeigt, dass Sie Qualität zu schätzen wissen. Mit einem Tunturi-Fitnessgerät haben Sie sich für ein hochwertiges, sicheres und motivierendes Produkt als Trainingspartner entschieden. Welches Ziel Sie auch immer mit Ihrem Training verfolgen, wir sind sicher, dass Sie es mit diesem Fitnessgerät erreichen.

## MONTAGE

Prüfen Sie, dass folgende Teile vorhanden sind:

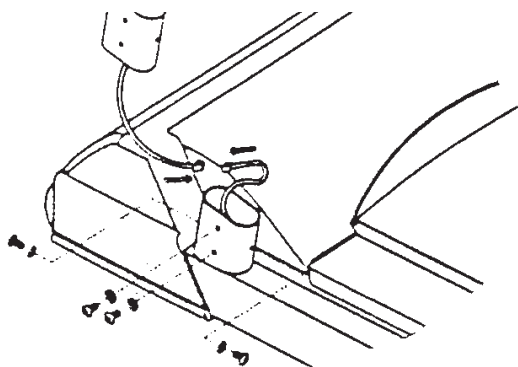
1. Rahmen
2. Handläufe (2)
3. Horizontale Handstütze
4. Cockpit
5. Netzkabel
6. Montagezubehör (der Inhalt steht mit \* auf der Ersatzteilliste)

In Problemfällen wenden Sie sich bitte mit der Typenbezeichnung und der Seriennummer des Gerätes an Ihren Händler. Der Silikatbeutel verhindert die Feuchtigkeitsbildung während der Lagerung. Er wird nach dem Auspacken nicht mehr benötigt. Die Richtungsangaben rechts, links, vorne, hinten gehen von der Blickrichtung beim Training aus. Das Gerät wie folgt montieren:

**BITTE BEACHTEN!** Um Verletzungen zu vermeiden, muss die Lauffläche hochgeklappt werden, bevor das Laufband aus der Verpackung entfernt wird.

### HANDLÄUFE

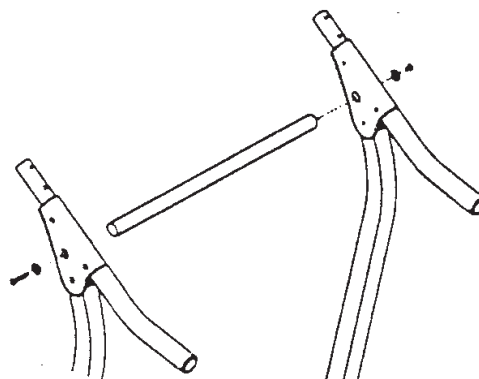
Verbinden Sie die Kabel, bevor Sie die Handläufe montieren. Befestigen Sie die beiden Handläufe mit vier Unterlegscheiben und Schrauben. **BITTE BEACHTEN!** Die Schrauben erst dann fest anziehen, wenn sowohl die horizontale Handstütze als auch das Cockpit befestigt worden sind.



### HORIZONTALE HANDSTÜTZE

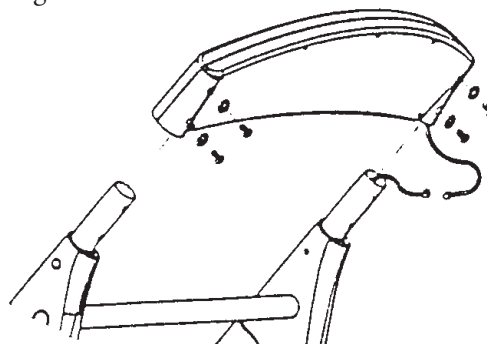
Die horizontale Handstütze ist an einem Ende zugespitzt. Stecken Sie das zugespitzte Ende zuerst in den rechten Handlauf, dann in den linken.

**BITTE BEACHTEN:** die linke Seite wird mit der langen Schraube, die rechte Seite mit der kurzen Schraube gesichert. Diese Schrauben erst dann fest anziehen, wenn das Cockpit befestigt worden ist.



### COCKPIT

Verbinden Sie zuerst die Kabel und schieben Sie danach das Cockpit auf die Handläufe. Es kann notwendig sein, die Handläufe etwas zur Seite zu biegen, um das Cockpit anbringen zu können. Das Cockpit mit Befestigungsschrauben fest anziehen. Jetzt können Sie alle Befestigungsschrauben festziehen. Ziehen Sie dann die Schutzfolie von der Anzeige ab.



### NETZKABEL

Das Netzkabel in die vorne links am Laufbandtrainer neben dem Netzschalter befindliche Buchse einstecken. Bevor Sie das Gerät an das Stromnetz anschließen, stellen Sie sicher, dass die Voltzahl Ihres Stromnetzes mit der auf dem Typenschild übereinstimmt. Schalten Sie den Strom für das Gerät mit dem neben dem Stecker befindlichen Stromschalter ein.

**BITTE BEACHTEN!** Das Gerät darf nur an eine geerdete Steckdose angeschlossen werden. Verwenden Sie keine Verlängerungsschnur, um das Gerät mit einer Steckdose zu verbinden.

### SICHERHEITSSCHLÜSSEL

Der Laufbandtrainer funktioniert nur, wenn der Sicherheitsschlüssel ordnungsgemäss im Schloss steckt. Das Laufband bleibt automatisch stehen,



sobald sich der Sicherheitsschlüssel nicht mehr im Schloss links am Cockpit befindet. Die Schnur des Sicherheitsschlüssels mit Hilfe des Clips an der Kleidung befestigen und den Sicherheitsschlüssel ins Schloss stecken. Sicherstellen, dass der Clip an der Schnur des Sicherheitsschlüssels gut an Ihrer Kleidung befestigt ist. Bei Zug sollte sich der Clip nicht von Ihrer Kleidung lösen, sondern der Sicherheitsschlüssel aus dem Schloss gezogen werden.

## TRAINIEREN

### FÜR IHRE GESUNDHEIT

- Suchen Sie vor dem Trainingsbeginn einen Arzt auf, der Ihren Gesundheitszustand feststellt.
- Bei Übelkeit, Schwindelgefühl oder anderen ungewöhnlichen Symptomen während des Trainings, beenden Sie Ihre Übung und suchen Sie einen Arzt auf.
- Um Muskelkater und Zerrungen zu vermeiden, beginnen und beenden Sie jedes Training mit Dehnübungen.

### FÜR DIE TRAININGSUMGEBUNG

- Dieses Gerät darf nur in Innenräumen benutzt werden; es ist nicht für den Einsatz in Feuchträumen vorgesehen.
- Stellen Sie das Gerät auf einen sicheren, ebenen Untergrund. Darauf achten, dass der Bereich neben und vor (mindestens 60 cm) und hinter (mindestens 120 cm) dem Laufbandtrainer frei ist.
- Es wird empfohlen, das Gerät auf eine Schutzmatte zu stellen.
- Vergewissern Sie sich, dass der Trainingsraum ausreichend belüftet ist. Um Erkältungen zu vermeiden, trainieren Sie nicht an einem zugigen Ort.

### FÜR DEN GEBRAUCH

- Nach jedem Training den Netzstecker ziehen.
- Falls Sie Kinder an das Trainingsgerät lassen, müssen Sie deren geistige und körperliche Entwicklung und vor allem deren Temperament berücksichtigen, sie gegebenenfalls beaufsichtigen und sie vor allem auf die richtige Benutzung des Gerätes hinweisen.
- Das Gerät kann immer nur von einer Person benutzt werden.
- Tragen Sie während des Trainings angemessene Kleidung und Schuhe.

### STEIGUNG EINSTELLEN

Das Gerät kann manuell in drei Steigungswinkeln eingestellt werden ( $2^\circ = 3,5\%$ ,  $3,5^\circ = 6,1\%$ ,  $5^\circ = 8,7\%$ ). Die Lauffläche mit der linken Hand abstützen und den Einstellhebel mit der rechten Hand nach aussen ziehen. Wählen Sie das Steigungsniveau und lassen dann den Hebel los.

Vergewissern Sie sich, dass der Hebel fest in der gewählten Höhe eingerastet ist.

### TRAINING BEGINNEN

- Zur Vermeidung von Muskelkater Aufwärmtraining (langsames Joggen oder Gehen) und Dehnübungen nicht vergessen.
- Mit gegrätschten Beinen auf die Seitenränder des Laufbandtrainers stellen. Das Gerät nie auf dem Laufband stehend in Bewegung setzen.
- Zum Auf- und Absteigen und bei der Bedienung der Tastatur immer an den Handläufen festhalten. Nie vom laufenden Laufband abspringen!
- Bei Übelkeit, Schwindelgefühl oder anderen ungewöhnlichen Symptomen während des Trainings, beenden Sie Ihre Übung und suchen Sie einen Arzt auf.

### TRAINING BEENDEN

- Zur Vermeidung von Muskelkater Abwärmtraining (langsames Joggen oder Gehen) und Dehnübungen nicht vergessen.
- Den Sicherheitsschlüssel immer abziehen.
- Das Gerät ausschalten.
- Das Netzkabel sowohl aus der Steckdose als auch aus der Buchse am Laufbandtrainer ziehen und an einem sicheren Ort, vor Kinderhand geschützt, aufbewahren.
- Das Gerät mit einem leicht angefeuchteten Wischtuch von eventueller Feuchtigkeit befreien. Keine Lösungsmittel verwenden!

### WIE MOTIVIEREN SIE SICH

#### ZUM WEITERMACHEN ?

Für das Erreichen Ihrer gesteckten Ziele brauchen Sie Motivation, um für das Maximalziel weiterzumachen: lebenslange Gesundheit und eine neue Lebensqualität.

- Setzen Sie sich realistische Ziele.
- Machen Sie Ihrem Zeitplan entsprechend allmähliche Fortschritte.
- Führen Sie ein Fitness-Tagebuch.
- Variieren Sie Ihre Trainingsformen von Zeit zu Zeit.
- Gestalten Sie Ihr Training mit Phantasie.
- Üben Sie sich in Selbstdisziplin.

Ein wichtiger Aspekt Ihres Trainings ist die Vielseitigkeit. Indem Sie variieren und verschiedene Muskelgruppen trainieren, erhalten Sie sich Ihre Motivation.

Egal, welches Ziel Sie erreichen wollen, die besten Resultate erzielen Sie mit einem Training auf dem richtigen Leistungsniveau, und das beste Mass ist dabei Ihre eigene Herzfrequenz. Ermitteln Sie zuerst Ihre maximale Herzfrequenz. Wenn Sie diese nicht kennen, orientieren Sie sich bitte an der nachfolgenden Formel:

**FRAUEN: 226 - Alter MÄNNER: 220 - Alter**

Das sind Durchschnittswerte, das Maximum unterscheidet sich von Mensch zu Mensch. Die maximale Herzfrequenz verringert sich pro Jahr durchschnittlich um einen Punkt. Wenn Sie zu einer der bereits genannten Risikogruppen zählen, bitten Sie den Arzt, Ihre maximale Herzfrequenz festzustellen. Wir haben drei Herzfrequenzbereiche definiert, die Sie bei Ihrem zielgerichteten Training unterstützen.

**ANFÄNGER:****50-60 % der maximalen Herzfrequenz**

Sie ist ausserdem für Übergewichtige und Rekonvaleszenten geeignet sowie für diejenigen, die seit langem nicht mehr trainiert haben. Drei Trainingseinheiten pro Woche von jeweils einer halben Stunde Dauer sind angemessen. Regelmässiges Training verbessert die Leistungsfähigkeit der Atmungs- und Kreislauforgane ganz entscheidend.

**FORTGESCHRITTENE:****60-70 % der maximalen Herzfrequenz**

Perfekt geeignet zur Verbesserung und Erhaltung der Fitness. Damit stärken Sie Ihr Herz und Ihre Lungen mehr, als auf dem Anfängerniveau. Wir empfehlen mindestens 3 Trainingseinheiten pro Woche mit jeweils mindestens 30 Minuten. Wenn Sie Ihr Fitnessniveau noch weiter erhöhen möchten, trainieren Sie häufiger oder intensiver, aber nicht beides zugleich.

**AKTIVE SPORTLER:****70-80 % der maximalen Herzfrequenz**

Das Training auf diesem Niveau ist nur für durchtrainierte Sportler geeignet und setzt ein Langzeit-Ausdauertraining voraus.

**FUNKTIONSTASTEN**

**STOP** Durch Drücken der STOP-Taste bleibt das Laufband stehen und Sie beenden das Training.

**TASTEN ZUR GESCHWINDIGKEITSKONTROLLE**

Die Tasten zur Geschwindigkeitskontrolle (Schildkröte/Hase) befinden sich unterhalb der Anzeige. Mit der Hasentaste wird die Laufgeschwindigkeit in 0,1 km/h-Intervallen erhöht, mit der Schildkrötentaste in 0,1 km/h-Intervallen reduziert. Längeres Drücken der Tasten beschleunigt die Geschwindigkeitsänderung. Der Geschwindigkeitsbereich liegt zwischen 1,0-12 km/h.

**SELECT PROG** Durch Drücken der SELECT-Taste vor Beginn des Trainings können Sie das vorprogrammierte Trainingsprofil wählen (P1 - Leichtes Gehen, P2 - Gewichtskontrolle, P3 - Krafttraining). Nachdem Sie das Training begonnen haben, können Sie mit der SELECT-Taste den angezeigten Wert (Entfernung / kcal) wählen.

**START** Mit der START-Taste beginnen Sie das Training.

**ANZEIGEN**

**TIME** Trainingszeit (Anzeige mit Sekundengenauigkeit 00:00 - 59:59).

**DISTANCE** Strecke (0.1-99.99 km).

**CALORIES** Energieverbrauch (0-999 kcal).

**SPEED** Laufbandgeschwindigkeit (1,0-12 km/h).

**TRAINING OHNE****VORPROGRAMMIERTE PROFILE**

Wenn das Gerät eingeschaltet und der Sicherheitsschlüssel im Schloss eingesteckt ist, sind auf der Anzeige alle Werte auf Null. Drücken Sie die Hasentaste, bis die gewünschte Trainingsgeschwindigkeit angezeigt wird (ab 1 km/h). Drücken Sie dann die grüne START-Taste und nach 3 Sekunden beginnt das Training. Während des Trainings können Sie mit den Geschwindigkeitstasten die Bandgeschwindigkeit verändern.

Sie können das Training auch durch Drücken der grünen START-Taste beginnen. Das Band beginnt mit einer Geschwindigkeit von 1.0 km/h zu laufen. Während des Trainings können Sie mit den Geschwindigkeitstasten die Bandgeschwindigkeit verändern.

**TRAINING MIT****VORPROGRAMMIERTEN PROFILEN**

Wenn das Gerät eingeschaltet und der Sicherheitsschlüssel im Schloss eingesteckt ist, können Sie mit der SELECT-Taste eines der drei vorprogrammierten Profile wählen.

**P1** - Leichtes Gehen

**P2** - Gewichtskontrolle

**P3** - Krafttraining

Nach der Wahl drücken Sie die START-Taste, um das Training zu beginnen. Jedes Profil dauert 30 Minuten und besteht aus 30 Segmenten von je 1 Minute. Geschwindigkeitsveränderungen sind gültig bis Ende des Segments; im folgenden Segment kehrt das Laufband automatisch zur vorprogrammierten Geschwindigkeit zurück.

**WARTUNG**

Mindestens einmal jährlich überprüfen, dass alle Befestigungsschrauben fest angezogen sind.

**PFLEGE DER LAUFPLATTE**

Die Pflege der Laufmatte ist die wichtigste Wartungsmassnahme; die Garantie deckt keine Schäden, die auf eine unterlassene Pflege der Laufmatte zurückzuführen sind. Diese muss immer dann durchgeführt werden, wenn Sie eine deutliche Reibungszunahme der Laufmatte feststellen. Die Reibungszunahme kann sich als ruckende Bewegung oder als Fehlermeldung 15

bemerkbar machen. Eine nicht ausreichende Behandlung führt zu erhöhtem Verschleiss und Beschädigung von Laufmatte, Laufplatte und Motor.

Der Pflegebedarf hängt weitgehend vom Gewicht des Benutzers und seinem Laufstil ab: ein hohes Körpergewicht sowie eine niedrige Betriebsgeschwindigkeit der Laufmatte führen zu einer stärkeren Belastung des Gerätes und machen daher besondere Sorgfalt bei der Pflege erforderlich. Bei durchschnittlicher Verwendung (30 Minuten, 4-5 Mal pro Woche) wird die Pflege der Laufplatte mit T-Lube nach jeweils 4-6 Monaten notwendig. Um die Notwendigkeit der Pflege zu ermitteln, heben Sie das Laufband an und überprüfen Sie, ob die Laufplatte möglichst weit in der Mitte mit dem T-Lube Pflegemittel behandelt ist. Falls die Laufplatte völlig oder weitgehend trocken ist, muss diese bitte sofort mit T-Lube wie folgt gepflegt werden:

1. Das Band anhalten.
2. Befestigen Sie die Düse an der T-Lube Dose.
3. Das Band an einer Seite anheben. Sprühen Sie T-Lube direkt auf die gesamte Länge der Lauffläche. Bitte stellen Sie sicher, dass die gesamte Lauffläche auf einer Breite von ca. 20 cm deutlich sichtbar mit T-Lube angefeuchtet ist.
4. Das Laufband ist sofort betriebsbereit.

**BITTE BEACHTEN!** Zur Behandlung der Laufmatte nur T-Lube verwenden! T-Lube ist bei Ihrem Tunturi-Händler erhältlich.

### REINIGUNG DES LAUFBANDES

Die Handläufe und die Elektronikanzeige mit einem feuchten Tuch reinigen. Auf keinen Fall Lösungsmittel verwenden! Die sichtbaren Teile des Rahmens (wie Laufmatte, Laufplatte und Seitenprofile) regelmässig mit einer kleinen Düse absaugen. Zur Reinigung der Unterseite das Gerät in Aufbewahrungsposition bringen.

### AUSRICHTEN DER LAUFMATTE

Beobachten Sie den Lauf des Bandes während des Trainings und führen Sie die unten beschriebenen Einstellmassnahmen sofort aus, wenn sie notwendig sind. Während des Trainings sollte die Laufmatte möglichst gerade und mittig laufen. Die Laufmatte braucht nicht neu ausgerichtet werden, falls

- das Gerät an einem ebenen Ort aufgestellt wird und ordnungsgemäss gespannt ist, und
- das Laufband ursprünglich ordnungsgemäss ausgerichtet wurde.

Aufgrund von besonderen Laufstilen (z. B. einseitige Gewichtsverteilung) kann die Laufmatte mit der Zeit jedoch schräg laufen. Ragt die Laufmatte über eines der beiden Seitenprofile hinaus, muss die Laufmatte wie folgt neu

ausgerichtet werden:

1. Die Matte mit einer Geschwindigkeit von 5 km/h laufen lassen.
2. Lläuft die Laufmatte nach links, die linke Einstellschraube am hinteren Ende des Laufbandtrainers um  $\frac{1}{4}$  Umdrehung nach rechts und die rechte Einstellschraube um  $\frac{1}{4}$  Umdrehung nach links drehen. Bereits eine  $\frac{1}{4}$  Umdrehung verändert die Richtung der Laufmatte. Deshalb die Stellung der Einstellschrauben nur Schritt für Schritt verändern. Lläuft die Laufmatte nach rechts, die rechte Einstellschraube am hinteren Ende des Laufbandtrainers um  $\frac{1}{4}$  Umdrehung nach rechts und die linke Einstellschraube um  $\frac{1}{4}$  Umdrehung nach links drehen.
3. Lläuft die Laufmatte in der Mitte, ist die Einstellung richtig. Wenn nicht, die obigen Schritte so lange wiederholen, bis die Laufmatte in der Mitte des Gerätes bleibt. Lläuft die Laufmatte über längere Zeit hinweg schräg, so dass es an der einen Geräteseite scheuert, können Betriebsstörungen auftreten. Die Garantie deckt keine Schäden, die auf eine unterlassene Ausrichtung der Laufmatte zurückzuführen sind.

### NACHSPANNEN DER LAUFMATTE

Die Laufmatte muss nachgespannt werden, wenn sie bei normalem Betrieb über die Laufrolle zu rutschen beginnt. Die Laufbandspannung jedoch so gering wie möglich halten! Das Nachspannen erfolgt mit denselben Einstellschrauben wie zum Ausrichten.

1. Die Matte mit einer Geschwindigkeit von 5 km/h laufen lassen.
2. Beide Einstellschrauben gleich viel,  $\frac{1}{4}$  Umdrehung, nach rechts drehen.
3. Durch Gehen wie an einem steileren Abhang versuchen, die Laufmatte zu bremsen. Rutscht das Laufband immer noch zu leicht über die Laufrolle, die Einstellschrauben um eine weitere  $\frac{1}{4}$  Umdrehung nach rechts drehen und einen weiteren Bremsversuch machen. Die Laufmatte sollte erst bei scharfem Bremsen rutschen. Falls die Laufmatte trotz wiederholtem Nachspannen rutscht, bitte Kontakt mit Ihrem Tunturi-Händler aufnehmen.

### BETRIEBSSTÖRUNGEN

**BITTE BEACHTEN!** Trotz kontinuierlicher Qualitätsüberwachung können vereinzelt an den Geräten durch einzelne Komponenten verursachte Funktionsstörungen auftreten. Dabei ist es nicht angebracht, das ganze Gerät zur Reparatur zu bringen, da der Fehler meistens durch Austauschen der defekten Komponente behoben werden kann. Wenden Sie sich an Ihre nationale Tunturi-Vertretung, wenn Sie Ersatzteile benötigen oder Funktionsstörungen an Ihrem Gerät feststellen. Beschreiben Sie das Problem und die

Einsatzbedingungen und teilen Sie das Kaufdatum und die Seriennummer des Gerätes mit. Die Ersatzteilnummern finden Sie in der Liste am Ende dieser Anweisung. Nur Teile in der Ersatzteilliste dürfen verwendet werden.

Falls Sie Funktionsstörungen an Ihrem Gerät feststellen, schalten Sie es umgehend aus. Warten Sie 1 Minute und schalten Sie das Gerät wieder ein. Normalerweise werden Funktionsstörungen mit dieser Massnahme behoben und das Gerät kann weiterverwendet werden. Sollte die Funktionsstörung aber wieder auftreten, das Gerät umgehend ausschalten und Kontakt mit Ihrer nationalen Tunturi-Vertretung aufnehmen.

### FEHLERMELDUNGEN

Das Benutzerinterface zeigt eine Funktionsstörung auf der Anzeige an. Den Fehlercode erkennen Sie an der Anzeigenabkürzung Err.

**ERR 1:** Fehler des Geschwindigkeitssensors Das Gerät ausschalten. 1 Minute warten und das Gerät wieder einschalten. Falls die Fehlermeldung nicht mehr erscheint, kann das Gerät ohne Risiko weiterverwendet werden. Sonst bitte Kontakt mit Ihrer nationalen Tunturi-Vertretung aufnehmen.

**ERR 2:** Die Laufbandgeschwindigkeit übersteigt den vorgegebenen Wert: Bitte Kontakt mit Ihrer nationalen Tunturi-Vertretung aufnehmen.

**ERR 3:** Der Sicherheitsschlüssel ist nicht im Schloss Den Sicherheitsschlüssel im Schloss anbringen und das Training fortsetzen.

### SCHUTZELEKTRONIK

Um eine maximale Betriebssicherheit zu gewährleisten, ist das J3F mit einer Schutzelektronik ausgerüstet, die die Bandgeschwindigkeit ständig kontrolliert.

Falls es eine Abweichung in der vorprogrammierten und tatsächlichen Bandgeschwindigkeit gibt, hält die Schutzelektronik das Band an. Danach blinken die Werte in der Anzeige. In diesem Fall das Gerät ausschalten. 1 Minute warten und das Gerät wieder einschalten.

### TRANSPORT UND

### AUFBEWAHRUNG

Das Laufteil vom J3F lässt sich zur raumsparenden Aufbewahrung zwischen den Trainingseinheiten wie folgt bequem hochklappen: Den Netzschalter ausschalten und das Netzkabel sowohl aus der Steckdose als auch aus der Buchse am Laufband ziehen. Das Gerät am hinteren Ende anheben.

**BITTE BEACHTEN!** Das J3F muss in der Aufbewahrungsposition immer verriegelt sein.

Zum Transport des J3F wie folgt vorgehen: Vor dem Transport das Netzkabel sowohl aus der Steckdose als auch aus der Buchse am

Laufbandtrainer ziehen. Das Gerät in die Aufbewahrungsstellung hochklappen; vergewissern Sie sich, dass die Lauffläche verriegelt ist. Danach befindet sich das Gerät automatisch auf den integrierten Transportrollen und kann leicht an den gewünschten Platz geschoben werden. Zum Absetzen öffnen Sie die Verriegelung durch Drücken der Raste im linken Handlauf.

**BITTE BEACHTEN!** Das Laufband nur mit äusserster Vorsicht über eine Schwelle oder andere unebene Flächen transportieren. Das Laufband darf nicht auf den Transportrollen über eine Treppe geschoben werden - es muss unbedingt getragen werden.

**BITTE BEACHTEN!** Nach dem Bewegen oder Transport muss das Laufband ggf. neu ausgerichtet werden.

Um Funktionsstörungen zu vermeiden, das Gerät in einem möglichst trockenen Raum mit gleichbleibender Temperatur vor Staub geschützt aufbewahren und benutzen. Nach jedem Training den Netzstecker ziehen.

### TECHNISCHE DATEN

**LÄNGE** 160 cm (Aufbewahrungsstellung 64 cm)

**HÖHE** 142 cm (Aufbewahrungsstellung 155 cm)

**BREITE** 76 cm

**GEWICHT** 68 kg

**LAUFLÄCHE** 40 x 128 cm

**GESCHWINDIGKEIT** 1,0-12 km/h

**NEIGUNG** 2° = 3.5%, 3.5° = 6.1%, 5° = 8.7%

**MOTOR** 1,5 PS (Dauerleistung)

Sämtliche Tunturi-Geräte entsprechen den EG-Richtlinien für elektromagnetische Verträglichkeit, EMC (89/336/EWG) und der europäischen Niederspannungsrichtlinie (72/23/EEC). Das Produkt trägt daher das CE-Kennzeichen. Das J3F erfüllt die Anforderungen der CEN-Sicherheitsnormen (Klasse B, EN-957, Teile 1 und 6).

Aufgrund unserer kontinuierlichen Produktentwicklung behält sich Tunturi das Recht vor, Spezifikationen ohne vorherige Ankündigung zu verändern.

**BITTE BEACHTEN!** Die Hinweise bezüglich der Montage, der Benutzung und der Wartung Ihres Gerätes müssen sorgfältig beachtet werden. Die Garantie schliesst keine Beschädigungen ein, die auf Fahrlässigkeit bei der Montage, Einstellung und Wartung, wie sie in diesem Handbuch beschrieben wurden, zurückzuführen sind. Werden Modifizierungen ohne das Einverständnis der Tunturi Oy Ltd vorgenommen, erlischt jeglicher Garantieanspruch!

**Wir wünschen Ihnen viele angenehme Trainingsstunden mit Ihrem neuen Tunturi Trainingspartner!**

## MODE D'EMPLOI J3F

### CONSEILS ET

### AVERTISSEMENTS

Ce guide est une pièce essentielle de votre appareil sportif. Lisez attentivement ce mode d'emploi avant d'assembler, d'utiliser ou d'effectuer l'entretien de votre appareil sportif. Veuillez conserver ce guide, il contient les renseignements dont vous aurez besoin, maintenant et plus tard, pour utiliser et entretenir votre appareil. Suivez toujours les instructions très rigoureusement.

- L'appareil doit être branché sur une prise mise à la terre. N'utilisez pas de rallonge. La consommation de courant est de 10 A à son maximum. Les sources de courant présentant des variations de tension de plus de 5 % peuvent entraver le bon fonctionnement de l'appareil et endommager son équipement électronique. Si l'appareil est branché sans tenir compte des instructions données dans ce mode d'emploi, sa garantie n'est plus valable.
- Le fil électrique de l'appareil est équipé de fiches mises à la terre. Seule une personne spécialisée dans l'entretien et la réparation de tels appareils électro-mécaniques et qui détient le permis exigé par la loi du pays concerné pour effectuer les travaux en question, peut réaliser d'éventuels changements sur les fiches de l'appareil ou la prise secteur.
- Avant de commencer un entraînement, quel qu'il soit, consultez votre médecin.
- En cas de vertige, nausées, douleur dans la poitrine ou autres symptômes anormaux, interrompez la séance immédiatement et consultez un médecin.
- N'effectuez jamais d'autres opérations de réglage et d'entretien que celles mentionnées dans ce guide et suivez bien les conseils d'entretien qui y sont donnés. Veillez à ce que, durant l'assemblage et l'entretien de l'appareil, l'appareil est éteint et débranché.
- L'appareil ne doit pas être utilisé par des personnes dont le poids excède 110 kg.
- J3F peut être utilisé à la maison. La garantie de 12 mois ne couvre que les défauts apparus au cours de l'utilisation à la maison.

### Bienvenue dans le monde de l'entraînement Tunturi !

Votre choix prouve que vous souhaitez réellement investir dans votre bien-être et votre condition; il révèle aussi que vous savez apprécier la haute

qualité et l'élégance. En choisissant un équipement Tunturi, vous adoptez un produit de premier choix comme partenaire pour un entraînement motivant, en toute sécurité. Quel que soit votre objectif, nous sommes persuadés que cet appareil est celui qui vous y conduira.

### ASSEMBLAGE

Commencez par déballer l'appareil sportif et vérifier que toutes les pièces suivantes sont en votre possession:

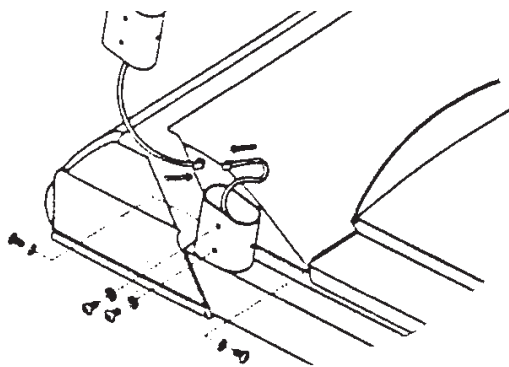
1. Châssis
2. Appuis-bras (2)
3. Barre d'appui
4. Compteur
5. Fil électrique
6. Kit d'assemblage (le contenu avec \* dans la liste des pièces détachées)

Pour tous problèmes, adressez-vous à votre distributeur. L'emballage renferme un sachet de silicate pour l'absorption de l'humidité pendant le stockage et le transport. Veuillez le mettre au rebut après avoir déballé l'appareil. Les termes droit, gauche, avant et arrière sont définis par rapport à la position d'exercice.

**IMPORTANT!** Relever et verrouiller la surface de course en position haute avant de sortir l'appareil de son emballage.

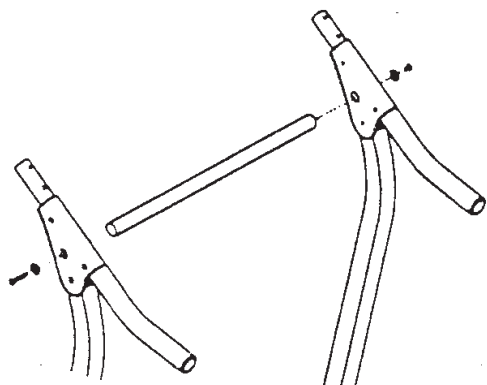
### APPUI-BRAS

Brancher entre eux les fils sortant de l'appui-bras gauche et du châssis. Fixer les deux appuis-bras avec quatre rondelles et vis. **IMPORTANT!** Ne serrer les vis à fond qu'une fois que la barre d'appui et le compteur sont en place.



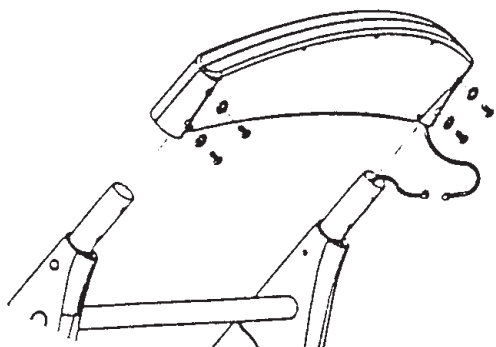
### BARRE D'APPUI

Placer la barre d'appui sur l'appui-bras de telle sorte que l'extrémité la plus longue non recouverte de plastique protecteur se trouve sur la droite. Mettre cette extrémité en place en premier, puis la partie gauche. Fixer l'extrémité gauche de la barre d'appui à l'aide d'une rondelle et d'une vis de fixation longue, l'extrémité droite avec une rondelle et une vis de fixation courte. **IMPORTANT!** Ne serrer les vis à fond qu'une fois que le compteur est en place.



### COMPTEUR

Brancher le fil sortant de l'appui-bras gauche sur le fil du compteur et mettre le compteur en place en avant des appuis-bras. Fixer le compteur avec quatre rondelles et vis. Serrer ensuite les autres vis de fixation des appuis-bras. Retirer le film protecteur recouvrant l'écran.



### CORDON D'ALIMENTATION

Connectez le fil électrique à l'avant droit de l'appareil près de l'interrupteur secteur. Avant de brancher l'appareil à une source d'alimentation, assurez-vous que la tension locale correspond à celle indiquée sur la plaque de type. Le J3F fonctionne en 230 V. Mettez l'appareil sous tension à l'aide de l'interrupteur qui se trouve à côté de la prise.

**IMPORTANT!** L'appareil ne doit être branché qu'à une prise reliée à la terre. N'utilisez pas de rallonge pour le branchement de l'appareil à la source d'alimentation.

### CLE DE VERROUILLAGE DE SECURITE

L'appareil est équipé d'une clé de verrouillage de sécurité qui empêche son fonctionnement si elle n'est pas en place, sous l'unité des compteurs. Fixez le clip se trouvant au bout du cordon de la clé à votre T-shirt par exemple et insérez la clé dans la fente gauche de l'interface. Veillez à ce que le clip de la clé de verrouillage de sécurité est bien fixé à votre vêtement; quand le cordon de la clé se tend, faites bien attention que le clip ne se détache pas de votre vêtement avant que la clé se soit déconnectée de l'interface.

## S'ENTRAINER

### A PROPOS DE SANTE

- Pour éviter les raideurs et les courbatures, commencez et terminez vos séances d'entraînement par des étirements.

### A PROPOS DU LOCAL

- J3F ne doit pas être utilisé à l'extérieur. L'appareil supporte des températures de +10°C à +35°C. L'hygrométrie ne doit jamais excéder 90 %.
- Installer l'appareil sur une surface plane et ferme. Laissez au moins 60 cm d'espace libre devant et sur les côtés et au moins 120 cm derrière.
- Assurez-vous que la pièce où vous vous entraînez bénéficie d'une ventilation adéquate. Pour éviter les coups de froid, ne vous entraînez pas dans un endroit balayé par les courants d'air.

### A PROPOS DE L'UTILISATION

#### DE L'EQUIPEMENT

- Assurez-vous que l'appareil est bien débranché avant d'entamer toute procédure d'assemblage ou de maintenance.
- Coupez toujours l'alimentation de votre appareil à la fin de votre séance d'entraînement.
- Les parents ou autres adultes responsables doivent penser que la curiosité naturelle des enfants, généralement joueurs, peut conduire à des situations et des comportements pour lesquels l'appareil n'est pas prévu. Si des enfants sont autorisés à utiliser votre appareil sportif, ils doivent apprendre à le faire correctement et sous surveillance. Tenez compte de leur développement physique et intellectuel, ainsi que de leur personnalité.
- N'utilisez l'appareil qu'une seule personne à la fois.
- Gardez vos mains éloignées des pièces en mouvement.
- Portez toujours des vêtements et des chaussures appropriés lors des séances d'exercice.
- Suivant le revêtement du sol, il peut être préférable d'installer l'appareil sur un tapis protecteur.
- Vérifiez toujours que toutes les pièces de protection de l'appareil sont bien en place.
- Avant de commencer à utiliser l'appareil, assurez-vous qu'il fonctionne correctement sur tous les points. N'utilisez pas un appareil défectueux.

### ANGLE D'INCLINAISON

L'appareil a trois niveaux d'inclinaison (2° = 3,5 %, 3,5° = 6,1 %, 5° = 8,7 %). Élevez la base de course et mettez le bouton de l'ajustement à place désirée. Assurez-vous le bouton est fermé à clé.

## POUR COMMENCER VOTRE EXERCICE

- Interrompez immédiatement la session et consultez votre médecin si vous êtes pris de nausées ou de vertiges ou sentez d'autres symptômes anormaux pendant l'entraînement.
- Afin d'éviter toutes douleurs musculaires, commencez et terminez vos sessions par des mouvements d'échauffement et d'étirement.
- Ne montez jamais directement sur le tapis mais toujours d'abord sur les bords fixes.
- Prenez toujours appui sur la barre de soutien, que vous montiez sur l'appareil ou en descendiez et également au cours de chaque changement de vitesse. Ne sautez jamais d'un tapis en marche !

## POUR TERMINER VOTRE EXERCICE

- Ne laissez jamais la clé de verrouillage de sécurité sur votre appareil.
- Eteignez votre appareil à l'aide de l'interrupteur secteur situé sur le bord avant.
- Au besoin, par exemple si vous avez sué, nettoyez votre appareil avec un chiffon humide. N'employez pas de solvant.
- Retirez le fil électrique et rangez-le dans un endroit inaccessible aux enfants.

## COMMENT VOUS MOTIVER

### POUR PERSEVERER ?

S'il est facile de commencer une activité physique, il est plus facile encore de l'interrompre ! Pour atteindre les objectifs que vous vous êtes fixés, il vous faut entretenir votre motivation et persévérer jusqu'au terme final : une santé durable pour une meilleure qualité de vie. Souvenez-vous :

- fixez-vous des objectifs réalistes
- progressez d'une étape à la fois, conformément à votre programme
- tenez un journal d'entraînement où vous inscrirez vos progrès
- changez votre mode d'entraînement de temps à autre
- faites preuve d'imagination
- apprenez l'autodiscipline

La diversité est un aspect important de votre entraînement. Varier les exercices permet de travailler des groupes de muscles différents et d'entretenir votre motivation.

Quel que soit votre objectif, vous obtiendrez les meilleurs résultats en vous entraînant à un niveau d'effort approprié, le meilleur contrôle étant votre pouls. Déterminez d'abord votre rythme cardiaque maximum c'est à dire le rythme à partir duquel le pouls n'augmente plus, même si l'effort est accru. Si vous ne connaissez pas votre pouls maximum, utilisez ces formules indicatives :

### FEMME: 226 - âge, HOMME: 220 - âge

Notez bien que ce sont là des valeurs moyennes et que les maxima varient d'une personne à l'autre. Le pouls maximum diminue, en moyenne, d'une pulsation par année. Si vous faites partie d'un des groupes «à risque» mentionnés plus haut, consultez un médecin pour qu'il mesure votre pouls maximum. Nous avons déterminé trois zones de pouls pour vous aider dans vos entraînements soumis à un objectif.

### DÉBUTANT: 50-60 % du pouls maximum

Ce niveau convient aussi aux personnes désirant perdre du poids ou n'ayant pas pratiqué d'activité physique depuis longtemps ainsi qu'aux convalescents. Il est recommandé de s'entraîner au moins une demi-heure trois fois par semaine. Un exercice régulier améliore, de façon décisive, les performances respiratoires et circulatoires du débutant et les effets d'une meilleure forme sont très vite ressentis.

### ENTRAÎNEMENT:

#### 60-70 % du pouls maximum

Ce niveau est parfait pour l'amélioration et le maintien d'une bonne condition physique. Il permet de renforcer le cœur et les poumons tout en respectant un effort raisonnable. S'entraîner au moins trois fois par semaine pendant une demi-heure minimum. Pour progresser davantage, augmentez soit la fréquence soit la durée des séances mais pas les deux en même temps!

### ENTRAÎNEMENT ACTIF:

#### 70-80 % du pouls maximum

L'exercice à ce niveau ne convient qu'aux personnes en excellente condition physique et suppose un entraînement antérieur de longue date.

## TOUCHES DE FONCTION

**STOP** En appuyant sur la touche STOP, le tapis s'arrête.

### TOUCHES DE COMMANDE DE VITESSE

Les touches de commande de vitesse (lièvre/tortue) sont situées en dessous de l'écran. Appuyez sur la touche lièvre pour augmenter la vitesse par crans de 0,1 kmh; appuyez sur la touche tortue pour réduire la vitesse par crans de 0,1 kmh. Un appui prolongé sur ces touches permet de modifier plus rapidement la vitesse. La plage de vitesse du tapis est de 1,0 à 12 km/h.

**SELECT** Avant de commencer l'entraînement, vous pouvez choisir un profil d'entraînement pré-programmé en appuyant sur la touche SELECT (P1 - marche légère, P2 contrôle du poids, P3 - entraînement actif). Si vous avez déjà commencé l'entraînement (appuyé sur la touche START verte) en appuyant sur la touche SELECT, vous pouvez choisir la valeur moyenne de l'écran (distance / dépense énergétique).

**START** En appuyant sur la touche START, le tapis se met en marche.

### AFFICHAGES

**TIME** Durée de l'entraînement (de 00:00 à 59:59, précision à la seconde, puis, de 1:00 à 99:59, précision à la minute).

**DISTANCE** Distance parcourue en kilomètres (0-19,9 km) par crans de 0,1 km.

**CALORIES** Estimation de la dépense calorique (0-999 kcal) par crans de 1 kcal.

**SPEED** Vitesse du tapis en kilomètres (1-12 km/h) par crans de 0,1 km/h.

### ENTRAINEMENT SANS

#### PROFIL PRÉ-PROGRAMMÉ

Lorsque l'appareil est sous tension et que la clé de verrouillage de sécurité est en place, les affichages sont à zéro. Appuyez sur la touche lièvre jusqu'à ce que la vitesse souhaitée s'affiche, la vitesse de départ minimale est de 1 km/h. Appuyez ensuite sur la touche de démarrage START verte. Le tapis se met en marche au bout de 3 secondes. Pendant l'entraînement, il est possible de régler la vitesse du tapis en appuyant sur la touche lièvre ou tortue.

Vous pouvez également commencer votre entraînement en appuyant directement sur la touche verte START. Dans ce cas, le tapis se met en route à une vitesse de 1 km/h. Après quoi, vous pouvez augmenter la vitesse à l'aide des touches de réglage de la vitesse.

### ENTRAINEMENT AVEC UN

#### PROFIL PRÉ-PROGRAMMÉ

Lorsque l'appareil est sous tension et la clé de verrouillage de sécurité en place, choisissez le profil souhaité entre les trois options à l'aide de la touche SELECT.

- P1** - marche légère
- P2** - contrôle du poids
- P3** - entraînement actif

Une fois le choix effectué, appuyez sur la touche verte START. Le tapis se met en marche au bout de 3 secondes. Chaque entraînement comporte une séquence de 30 minutes; durant l'entraînement, vous pouvez modifier la vitesse du tapis à l'aide des touches lièvre / tortue, mais le changement concerne uniquement la période d'une minute durant laquelle la modification a été faite.

### ENTRETIEN

Vérifiez une fois par an que toutes les vis de serrage et tous les boulons sont bien serrés. Ne les serrez jamais trop pour éviter de les endommager.

#### GRAISSAGE DE LA PLAQUE DE BASE

Le graissage est la plus importante des opérations

d'entretien. Le graissage est inévitable et doit impérativement être effectué dès que la friction du tapis augmente; toute augmentation de friction se traduira par des à-coups dans le mouvement du tapis. Un graissage insuffisant conduit à l'usure et à la détérioration du tapis, de la plaque de base et du moteur. Pendant un usage normal (séquence d'entraînement de 30 minutes 3 fois par semaine), il est nécessaire de procéder à une lubrification de maintenance avec de la graisse T-Lube tous les 4 à 6 mois. Vérifiez que le graissage est suffisant en passant votre main sur la plaque de base; si la plaque de base est humide, il n'est pas nécessaire de lubrifier. Si la plaque de base est pratiquement sèche ou sèche, lubrifiez immédiatement conformément aux instructions ci-après:

1. Arrêtez le tapis.
2. Fixez le tuyau de graissage sur l'embout de la bombe de graissage.
3. Relevez le bord du tapis.
4. Faites passer le tuyau de graissage entre le tapis et la plaque de base à une distance d'environ 20 cm de la partie avant de l'appareil.
5. Vaporisez le lubrifiant sur toute la longueur de la plaque de base. Faites en sorte que le lubrifiant soit le plus possible au milieu de la zone de course.
6. Le tapis est prêt pour usage à l'instant.

**IMPORTANT!** Utilisez uniquement du lubrifiant T-Lube de Tunturi pour le graissage de la plaque de base. Le T-Lube est disponible auprès des vendeurs Tunturi.

#### NETTOYAGE DE L'APPAREIL

Nettoyez la barre de soutien et l'unité des compteurs à l'aide d'un chiffon humide. N'utilisez pas de solvant. Dépoussiérez les parties visibles du châssis (entre autres tapis, plateforme et bords) régulièrement à l'aide d'un aspirateur avec bouche d'aspiration de petite taille. Passez aussi le dessous du tapis à l'aspirateur. Pour nettoyer le dessous de l'appareil, mettez-le en position de rangement.

#### REGLAGE DE L'ALIGNEMENT DU TAPIS

Surveillez la course de tapis pendant l'entraînement et effectuez immédiatement les opérations de réglage décrites ci-dessous si nécessaire. En marche, le tapis doit tourner bien en ligne. En général, le tapis n'a pas à être réaligné, si

- l'appareil a été placé sur une surface bien plane et le tapis est tendu comme il faut
- l'alignement de l'appareil est correct

A l'usage cependant, du fait par exemple que le mouvement de course de l'utilisateur peut être irrégulier, il peut arriver que le tapis se mette à dévier sur le côté. Si le tapis dévie pour déborder sur l'un des côtés, procédez comme suit :

1. Réglez la vitesse à 5 km/h.



2. Si le tapis dévie vers la gauche, tourner la vis gauche se trouvant à l'arrière du tapis d'un huitième de tour dans le sens horloge et la vis droite d'un huitième de tour dans le sens inverse. Tourner les vis d'un huitième de tour influe déjà grandement sur la course du tapis et il est donc conseillé de tourner les vis peu à la fois. Si par contre le tapis dévie vers la droite, tourner la vis droite se trouvant à l'arrière du tapis d'un huitième de tour dans le sens horloge et la vis gauche d'un huitième de tour dans le sens inverse.

3. Vérifiez que le tapis tourne maintenant bien en ligne. Dans le cas contraire, poursuivez comme indiqué précédemment. Ce réglage est important car si on laisse le tapis dévier sur un côté, il risque d'apparaître des anomalies de fonctionnement. La garantie ne couvre pas ces anomalies éventuelles.

### REGLAGE DE LA TENSION DU TAPIS

Si en utilisation le tapis commence à patiner, il faudra régler sa tension. Laissez tout de même toujours le plus de jeu possible. Le réglage de la tension s'effectue à l'aide des mêmes vis que ceux de l'alignement.

1. Réglez la vitesse à 5 km/h.
2. Tourner les deux vis d'un huitième de tour dans le sens horloge.
3. Ralentissez la marche du tapis en faisant comme si vous descendiez le long d'une pente raide. Si le tapis continue à patiner, répétez les points 2 et 3.

Remarquez que si vous ralentissez trop fortement, il est normal que le tapis se mette à patiner. Si le tapis patine en permanence malgré les réglages, contactez votre vendeur.

### DEFAUTS DE FONCTIONNEMENT

**IMPORTANT!** En dépit d'un contrôle continu de la qualité, l'appareil peut présenter des défauts ou des anomalies de fonctionnement provenant de certains de ses composants. Dans ce cas, il n'est pas cependant nécessaire d'aller faire réparer votre appareil, le problème pouvant bien souvent être résolu par simple changement de la pièce défectueuse.

Si votre tapis se comporte de façon anormale, placer l'interrupteur en position OFF et attendez environ 1 minute. Remettez le tapis en marche et vérifiez que l'anomalie a disparu. Si l'anomalie a disparu, vous pouvez utiliser votre appareil de façon normale. Si l'anomalie n'a pas disparu, contactez votre vendeur.

Contactez votre distributeur au cas où vous remarqueriez un défaut ou un mauvais fonctionnement de votre l'appareil ou si vous avez besoin de pièces de rechange. Indiquez-lui la nature du problème, les conditions d'utilisation, la date d'achat, le modèle et le numéro de série. Vous trouverez la liste des pièces détachées à la fin de ce mode d'emploi.

### CODER D'ERREUR

Lorsqu'elle détecte un défaut de fonctionnement, l'interface affiche un code d'erreur sur l'écran. Les codes d'erreur affichés sont tous précédés de l'abréviation Err.

**ERR 1:** la vitesse du tapis ne correspond pas à la valeur donnée. Débranchez le tapis, attendez une minute et remettez-le en marche. Si l'anomalie a disparu, vous pouvez utiliser votre appareil de façon normale. Si l'anomalie n'a pas disparu, contactez votre vendeur.

**ERR 2:** la vitesse dépasse la limite de sécurité. Contactez le vendeur de l'appareil.

**ERR 3:** clé de verrouillage de sécurité détachée. Remettez la clé de verrouillage de sécurité en place et continuez l'entraînement.

### SYSTÈME DE CONTRÔLE DE VITESSE

Si la vitesse du tapis dévie des réglages, le système de contrôle de vitesse coupe l'alimentation pour des raisons de sécurité et fait clignoter les valeurs du compteur. Mettre l'interrupteur en position OFF, attendre une minute et l'appareil peut à nouveau être utilisé.

## TRANSPORT

### ET RANGEMENT

Vous pouvez lever la surface de course de J3F dans une position de rangement comme suit : Coupez le courant et débranchez le câble électrique entre la prise et le tapis. Saisissez la partie arrière de la plaque de base et soulevez la plaque de base. **IMPORTANT!** Ne laissez jamais la surface de course en position de rangement sans vous être assuré qu'elle a bien été bloquée. Avant tout déplacement du J3F, retirez le fil électrique et de la prise secteur et de l'appareil; levez la piste de course et assurez-vous qu'elle a bien été bloquée. Placez vous derrière le tapis, tenez les barres de soutien et déplacez le en le faisant rouler et déposez le soigneusement sur le sol.

**IMPORTANT!** Transporter l'appareil avec l'attention extrême au-dessus des surfaces inégales, par exemple au-dessus d'une marche. L'appareil ne doit jamais être transporté dans les escaliers à l'aide des roulettes de transport, au lieu de cela il doit être porté.

**IMPORTANT!** Il peut être nécessaire d'ajuster à nouveau l'alignement du tapis après un déplacement de l'appareil.

Pour garantir un bon fonctionnement à votre appareil, rangez-le dans un endroit sec, sans variations de température importantes, et protégez-le contre les poussières. N'oubliez pas de débrancher votre appareil après chaque utilisation.

**CARACTERISTIQUES****TECHNIQUES****LONGUEUR** 160 cm (Position de rangement 64 cm)**HAUTEUR** 137 cm (Position de rangement 155 cm)**LARGEUR** 76 cm**POIDS** 68 kg**SURFACE DE COURSE** 40 x 128 cm**VITESSE** 1,0-12 km/h**ANGLE D'INCLINAISON**

2° = 3,5 %, 3,5° = 6,1 %, 5° = 8,7 %

**MOTEUR** 1,5 ch

Les appareils Tunturi ont été conçus afin de satisfaire aux exigences posées par la directive communautaire concernant la compatibilité électromagnétique, EMC (89/336/CEE) et les appareils électriques destinés à une utilisation dans certaines limites de tensions (72/23/CEE). Les produits portent en conséquence le label CE. Le J3F est conforme aux normes CEN de définition et de sécurité (Classe B, EN-957, paragraphe 1 et 6).

Du fait de sa politique de développement continu des produits, Tunturi se réserve le droit de modifier les spécifications sans préavis.

**IMPORTANT!** La garantie ne couvre pas les dommages dus à une négligence des instructions d'assemblage, de réglages ou de maintenance données dans ce mode d'emploi. Suivez les instructions scrupuleusement pour l'assemblage, l'utilisation et la maintenance de votre équipement. Des changements ou modifications non expressément approuvés par Tunturi Oy Ltd rendront nulle l'autorité de l'utilisateur sur l'équipement.

**Nous vous souhaitons d'agréables et nombreuses séances d'exercice avec votre partenaire d'entraînement Tunturi !**

**MANUALE D'USO J3F****AVVERTENZE**

Questo libretto di istruzioni è una parte essenziale della tua attrezzatura da ginnastica. Leggi con attenzione quanto scritto in questa guida, prima del montaggio dei pezzi e prima di fare uso dell'attrezzo o di effettuarne qualunque manutenzione. Ti raccomandiamo pure di conservare la presente guida in un; essa ti fornirà, adesso e nel futuro, le istruzioni necessarie all'uso e alla manutenzione della tua attrezzatura da ginnastica. Tali istruzioni devi seguirle sempre con molta attenzione!

- Assicuratevi che l'impianto sia collegato a terra. Evitare di usare prolunghe. Il consumo massimo è 10 A. Prolunghe che servono più apparecchi, o che hanno fl uttuazioni di voltaggio + 5 % possono risultare dannose all'elettronica del treadmill.

- Non effettuare alcuna manutenzione o riparazione, al di fuori di quelle descritte nella presente guida. Qualunque riparazione più impegnativa, deve essere effettuata da un esperto nella manutenzione di congegni elettromeccanici, autorizzato, in conformità alle leggi della nazione in questione, o comunque abilitato, ad effettuare i predetti lavori di manutenzione o di riparazione. Le istruzioni per le riparazioni, contenute in questa guida, devono essere seguite con molta attenzione.

- Prima dell'inizio del training, consulta un medico per il controllo del tuo stato di salute.

- Se provi nausea, capogiri o presenti altri sintomi anormali, durante gli allenamenti, smetti immediatamente ogni esecuzione e vai dal medico.

- Non tentate riparazioni e manutenzioni diverse da quelle descritte in questo manuale. Sequitte alla lettera. Assicuratevi che la presa di corrente sia staccata, prima di metterti a fare qualunque lavoro di montaggio pezzi o di manutenzione.

- L'attrezzo non può essere usato da persone, il cui peso superi i 110 kg.

- J3F può essere usato in casa per il quale è valida la garanzia di 12 mesi.

**Sei benvenuto nel mondo degli allenamenti Tunturi!**

Hai fatto un'ottima scelta. Si vede che tieni alla tua forma fi sica. Indubbiamente sei una persona esigente che richiede il meglio in quanto a qualità e stile. Nella Tunturi troverai il tuo partner ideale. Alta tecnologia, sicurezza e stimolo per sempre migliori prestazioni sono le sue caratteristiche. Qualunque sia il tipo di allenamento che intendi praticare, questo è lo strumento fatto per te.

## ASSEMBLAGGIO

Incomincia col disimballaggio dell'attrezzatura, e controlla che essa sia comprensiva delle seguenti parti:

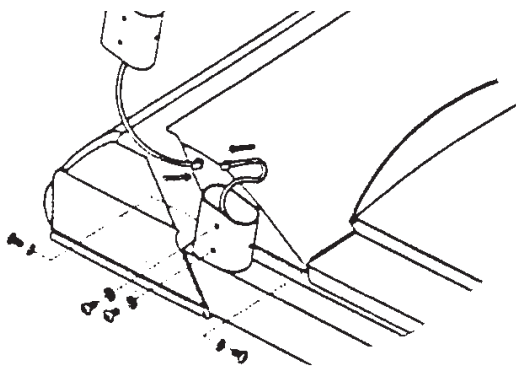
1. Telaio
2. Corrimano (2 pezzi)
3. Barra di appoggio trasversale
4. Contatore
5. Cavo di alimentazione
6. Kit utensili d'installazione (le parti sono segnate con \* nella lista pezzi di ricambio)

In caso di problemi, contattate immediatamente il rivenditore dell'attrezzatura. L'imballaggio è inclusivo di sacchetto riempito con silicati, per l'assorbimento dell'umidità durante l'immagazzinamento e il trasporto. Ricordati di disfartene, dopo il disimballaggio dell'attrezzatura. Le direzioni sinistra, destra, fronte e retro sono definite in rapporto alla posizione in cui si trova la persona durante l'allenamento. Per il montaggio, segui le seguenti istruzioni:

**IMPORTANTE!** Prima di disimballare il treadmill, alzalo e bloccalo in posizione all'insù.

### CORRIMANO

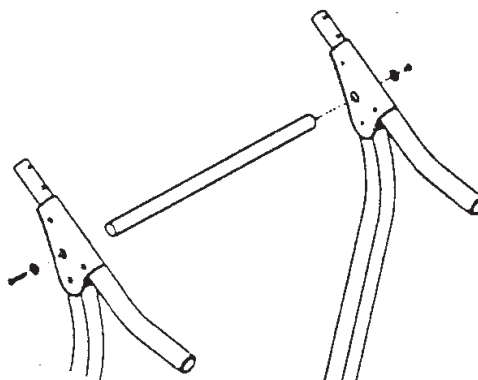
Collega fra loro i cavi che fuoriescono dal corrimano di sinistra e dal telaio. Fissa quindi entrambi i corrimano con quattro viti e relative rondelle. **IMPORTANT!** Le viti vanno strette per bene solo dopo aver montato anche la barra di appoggio trasversale e il contatore.



### BARRA DI APPOGGIO TRASVERSALE

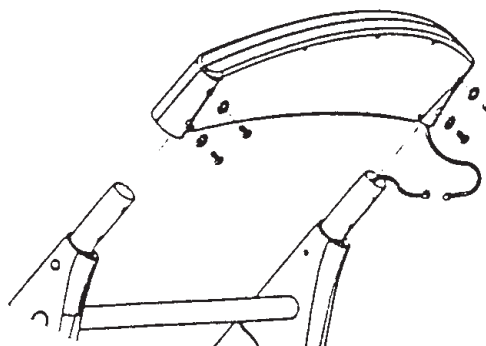
Colloca la barra entro i corrimano, in modo che l'estremità più lunga terminante senza protezione venga a trovarsi nella parte di destra. Una volta sistemata tale estremità al suo posto, sistema anche l'estremità di sinistra. Fissa il terminale sinistro della barra, usando rondella e vite lunga e fissa il terminale destro con rondella e vite corta.

**IMPORTANTE!** Le viti vanno strette solo quando anche il contatore sarà stato fissato al suo posto.



### CONTATORE

Collega il cavo sporgente dal corrimano di sinistra al cavo del contatore e poi, facendo pressione, metti il contatore al suo posto, sull'estremità superiore del corrimano. Il contatore va quindi fissato con quattro viti e relative rondelle. Dopo di ciò, stringi le altre viti del corrimano. Togli quindi, dalla superficie del display, il film protettivo.



### CAVO PER LA CORRENTE

Prima di collegare il dispositivo a una presa di corrente, assicurati che il voltaggio in uso sia quello indicato sulla piastrina di specificazione dell'attrezzo in questione. Attacca la corrente al dispositivo, usando l'interruttore che si trova vicino alla presa per l'elettricità.

**IMPORTANT!** J3F deve essere collegato a corrente con presa di terra. Non fare uso di prolunghe, quando colleghi l'attrezzo ad una presa di corrente.

### CHIAVE DI SICUREZZA

Se la chiave di sicurezza viene rimossa dal pannello il tappeto si ferma immediatamente. Inserite la chiave entro l'apposito alloggiamento, che si trova nel bordo di sinistra, e attaccate la clip all'altro capo alla maglietta o al colletto. Assicurarsi che la clip della chiave di sicurezza sia fissata correttamente ad un capo dell'abbigliamento che indossate; anche se con il cavo sotto tensione, la clip non deve mai staccarsi dal capo di abbigliamento prima che la chiave non sia stata rimossa dal pannello.

## IL TRAINING

### CIRCA LA TUA SALUTE

- Per evitare dolori e sforzi muscolari, inizia e finisci ogni esecuzione con lo stretching.

### CIRCA L'AMBIENTE IN CUI ESERCITARSI

- Non usatelo in esterno.
- Colloca l'attrezzatura su di una superfice solida e piana. Lasciate 120 cm di spazio dietro e 60 cm ai lati e davanti.
- È una buona idea, quella di collocare l'attrezzo su di una base protettiva.
- Assicurati che l'ambiente abbia una ventilazione adeguata. Per evitare raffreddori, non far allenamento in un posto esposto a correnti d'aria.

### CIRCA L'USO DELL'ATTREZZO

- Stacca sempre la corrente, tramite l'apposito interruttore, dopo ogni sessione di allenamento.
- I genitori, o chi per loro, dovrebbero far attenzione alla tendenza naturale dei bambini, di voler giocare e di essere curiosi. Ciò potrebbe portare a situazioni e a comportamenti, che non rientrano tra i requisiti dell'attrezzatura. Se l'attrezzo viene lasciato all'uso dei bambini, bisogna controllarli, ed insegnare loro ad usarlo correttamente, facendo sempre mente locale allo sviluppo fisico e mentale dei bambini, e alla loro personalità.
- Il treadmill può essere usata da una sola persona alla volta.
- Non avvicinare le mani a parti dell'attrezzo che siano in movimento.
- Durante gli allenamenti, usa abiti e scarpe adeguate.
- Prima di incominciare ad usare l'attrezzatura, assicurati che tutti i suoi congegni siano funzionanti a dovere. Non usare attrezzi difettosi.
- Non usare l'attrezzo, qualora l'involucro di protezione non sia fissato al suo posto.

## ELEVAZIONE

L'attrezzatura ha tre livelli di elevazione ( $2^\circ = 3,5\%$ ,  $3,5^\circ = 6,1\%$ ,  $5^\circ = 8,7\%$ ). Elevi il nastro e metta la manopola a posizione desiderata. Si assicuri la manopola è chiusa a chiave.

### INIZIO DI ESECUZIONE

- Se provi nausea, capogiri o presenti altri sintomi anormali, durante gli allenamenti, smetti immediatamente ogni esecuzione e vai dal medico.
- Mettete i piedi sui binari laterali e non sul nastro.
- Per evitare dolori e sforzi muscolari, inizia e finisci ogni esecuzione con lo stretching.
- Impugnate sempre il manubrio quando salite o scendete dal treadmill e quando cambiate velocità.

Non saltate giù quando il nastro è in movimento.

### ALLA FINE DI ESECUZIONE

- Attaccare la chiave di sicurezza.
- Spegnerne l'interruttore generale.
- Togliere la spina e levare il cavo dalla portata di bambini.
- Se necessario pulire l'attrezzo con un panno umido. Non usare solventi.

### QUAL'È LO STIMOLO PER CONTINUARE?

È facile incominciare con gli allenamenti, ma è ancora più facile smettere! Per ottenere lo scopo da te stesso prefissato, hai bisogno in continuazione di crearti uno stimolo a continuare, fin al conseguimento del tuo scopo finale: uno stato di salute, che duri per tutta la vita, ed una nuova qualità di vita. Perciò ricorda:

- Prefissati degli obiettivi realistici.
- Accontentati di progressi metodici, passo dopo passo, secondo una tabella da te stesso prefissata.
- Tieni un diario della tua forma fisica, su cui scrivere i progressi da te fatti.
- Cambia, di tanto in tanto, la tua maniera di esercitarti.
- Usa l'immaginazione.
- Impara l'autodisciplina. Un aspetto importante del tuo training è la versatilità.

Cambiando il tipo di training, metti in movimento differenti gruppi muscolari, e nello stesso tempo hai più possibilità di conservare alta la tua motivazione.

Qualunque sia lo scopo che tu ti sia prefissato, i risultati migliori saranno raggiunti col suddetto training al giusto livello di sforzo, e la misura migliore, per tale sforzo, è il ritmo del tuo stesso cuore. Per prima cosa, quindi, devi sapere qual'è il livello massimo di battiti cardiaci, ovvero il livello, oltre il quale le pulsazioni non aumentano, pur aggiungendo sforzi. Se tu non conosci il numero massimo delle tue pulsazioni, puoi usare la seguente formula indicativa:

**DONNE: 226 meno, l'età**

**UOMINI: 220 meno l'età**

Questi sono valori indicativi e, naturalmente, il valore massimo effettivo varia da persona a persona. Il numero massimo di pulsazioni cardiache diminuisce, in media, di un punto ogni anno. Se appartieni ad uno dei gruppi a rischio, di cui abbiamo fatto menzione in precedenza, chiedi a un medico di misurare il tuo livello massimo di pulsazioni cardiache. Abbiamo definito tre differenti aree di pulsazioni, per aiutarti a stabilire il tuo livello di training.

**PRINCIPIANTI:**

**50-60 % del massimo di pulsazioni**

Questo livello è indicato anche per i weight-watchers, per i convalescenti e per coloro

che non hanno fatto allenamento per lungo tempo. Si raccomandano tre periodi di training ininterrotto alla settimana, ognuno della durata di almeno mezz'ora. Un esercizio regolare migliora notevolmente la performance respiratoria e circolatoria del principiante, tanto da farti sentire presto molto più in forma.

#### **TRAINER: 60-70 % del massimo di pulsazioni**

Questo livello è perfetto per chi voglia migliorare il proprio fitness e mantenerlo in ottime condizioni. Uno sforzo ragionevole e bilanciato migliora notevolmente le funzioni cardiovascolari e respiratorie; il training deve durare per almeno 30 minuti e deve essere fatto come minimo tre volte alla settimana. Per migliorare ulteriormente la tua condizione fisica, puoi aumentare la frequenza o l'intensità dello sforzo, ma non entrambi allo stesso tempo!

#### **TRAINER ATTIVO:**

##### **70-80 % del massimo di pulsazioni**

Le esercitazioni a questo livello vanno bene solo per coloro che hanno raggiunto una forma quasi perfetta e devono essere precedute da lunghi periodi di allenamenti "endurance".

#### **TASTI FUNZIONE**

**STOP** Premendo il tasto STOP, il tappeto si ferma.

**TASTI VELOCITÀ** Premendo la tasto coniglio incrementa la velocità del nastro a passi di 0.1 km/h, premendo la tasto tartaruga diminuisce la velocità a passi di 0.1 km/h. Premendo questi tasti più a lungo il cambiamento di velocità si verifica più rapidamente. La scala di velocità della pedana va da 1.0 a 12 km/h.

**SELECT** Prima di qualsiasi esercizio, con il tasto SELECT puoi scegliere un programma predisposto, di tuo gradimento (P1 - camminata leggera, P2 - controllo del peso, P3 - gareggiamento). Qualora tu abbia già iniziato un esercizio (ovvero tu abbia già premuto il tasto verde START), con il tasto SELECT puoi scegliere tra i valori riportati dal display centrale (percorso / consumo energetico).

**START** Premendo il tasto START, il treadmill si mette in moto.

#### **DISPLAY**

**TIME** durata dell'esercizio, riportata con la precisione di un secondo nel periodo 00:00 - 59:59. dopo tale periodo, e cioè 1:00- 99:59, la precisione è al minuto.

**DISTANCE** Distanza, il tragitto effettuato in chilometri (0-19.9 km), con intervalli di 0.1 km.

**CALORIES** Calorie, il presunto consumo energetico (0-999 kcal), con intervalli di 1 chilocaloria.

**SPEED** La velocità del tappeto in chilometri orari (1-12 km/h), con intervalli di 0.1 km/h.

## **ESERCITAZIONE SENZA**

### **PROGRAMMA PREDISPOSTO**

Una volta che la corrente sia attaccata e che la chiave di sicurezza sia al suo posto, i display del contatore sono sullo zero. Premi il tasto Lepre, fino a che sul display compaia la velocità da te desiderata, che comunque non può essere inferiore a 1 km/h, nemmeno all'inizio. Poi premi il tasto verde START: dopo 3 secondi il tappeto incomincerà a muoversi. Durante l'esercizio puoi regolare la velocità del tappeto, mediante i tasti Lepre / Tartaruga.

L'esercizio può essere avviato anche premendo direttamente il tasto verde START. In tal caso il tappeto si muoverà alla velocità di 1 chilometro all'ora. Volendo aumentare tale velocità, basta usare i tasti di regolazione velocità.

### **ESERCITAZIONE CON PROGRAMMA**

#### **PREDISPOSTO**

Una volta che la corrente sia attaccata e che la chiave di sicurezza sia al suo posto, fra i tre programmi a disposizione scegli quello preferito, usando il tasto SELECT:

- P1** - camminata leggera
- P2** - controllo peso
- P3** - gareggiamento

Effettuata la scelta, premi il tasto verde START: dopo tre secondi il tappeto comincerà a muoversi. Ogni esercizio si compone di un ciclo della durata di 30 minuti; durante i quali puoi comunque cambiare la velocità del tappeto, usando i tasti Lepre / Tartaruga. In tal caso, però, la variazione riguarderà sempre e soltanto il periodo di un minuto, successivo all'attimo in cui la velocità è stata cambiata.

## **MANUTENZIONE**

Controllare una volta l'anno la tenuta di tutte le viti di fissaggio e dei dadi.

### **PROCEDURA PER LA LUBRIFICAZIONE**

La lubrificazione è la più importante delle operazioni di manutenzione. La lubrificazione è assolutamente necessaria ogni volta che notate l'attrito della piattaforma sia aumentato in misura consistente o che il motore sia surriscaldato. Una insufficiente lubrificazione può causare il consumo e la conseguente rottura del nastro, della piattaforma nonché del motore. In caso di uso normale (un esercizio da 30 minuti, 3 volte alla settimana) la lubrificazione con T-Lube è necessaria ogni 4-6 mesi. Per verificare che la quantità di lubrificante sia sufficiente, basta passare la mano sulla piattaforma di base, sotto il tappeto, quando questo sia fermo. Se la base

è umida, non c'è necessità di lubrificazione. Se invece la base è completamente, o quasi, asciutta, bisogna aggiungere immediatamente del lubrificante, secondo le istruzioni che seguono:

1. Ferma il tappeto.
2. Fissa la cannuccia all'imbocco della bomboletta contenente il lubrificante.
3. Solleva un bordo del tappeto.
4. Inserisci la cannuccia fra il tappeto e la base, a circa 20 cm. di distanza dall'estremità frontale dell'attrezzo.
5. Spruzza il lubrificante per tutta la lunghezza della piattaforma di base. Cerca di far sì che il lubrificante finisca il più possibile al centro della pedana.
6. L'attrezzo è pronto all'uso.

**IMPORTANTE!** Per la lubrificazione della base, usare esclusivamente lubrificante T-Lube, della Tunturi. Il T-Lube può essere richiesto direttamente dal vostro rivenditore di fiducia.

## PULIZIA DAL TREADMILL

Pulite i corrimano ed il pannello dalle polveri con un panno umido, senza usare solventi. Usate un'aspirapolvere con punta piccola per pulire dalla polvere tutte le parti visibili (nastro, piattaforma, bordi dei rulli etc.). Aspirate anche nelle grate del motore. Per pulire la base dell'attrezzo sollevarlo verticalmente il posizione di riposo salvaspazio.

## ALLINEAMENTO DEL NASTRO

Controllate la scorrevolezza del tappeto nel corso dell'esercizio ed eseguite le eventuali operazioni di regolazione. Il nastro deve scorrere nella parte centrale dell'attrezzo. Normalmente non c'è bisogno di eseguire alcun tipo di allineamento, se

- il treadmill si trova su una superficie uniforme e la tensione del nastro è corretta
- il nastro si trova in posizione centrale

Se necessario, l'allineamento del nastro è regolato dai due dadi posti sul retro dell'attrezzo.

1. Accendere l'attrezzo e regolare la velocità su 5 km/h.
2. Se il nastro scivola a sinistra girare di  $\frac{1}{4}$  il dado a sinistra in senso orario e svitare di  $\frac{1}{4}$  il dado a destra in senso antiorario. Non girare più di  $\frac{1}{4}$  per volta. Se il nastro scivola a destra girare di  $\frac{1}{4}$  il dado a destra in senso orario e svitare di  $\frac{1}{4}$  il dado a sinistra in senso antiorario.
3. Se il nastro resta in centro, l'allineamento è corretto, altrimenti continuate ad effettuare piccole regolazioni come sopra finché il nastro non rimanga in centro. Se il nastro è lasciato per lunghi periodi toccare da una parte, si deteriora e deve essere cambiato. Questo non è coperto da garanzia perché è dovuto ad una mancanza di manutenzione.

## REGOLAZIONE DELLA

### TENSIONE DEL NASTRO

Il nastro deve essere teso se scivola sui rulli. In uso normale, comunque, mantenete il più lento possibile! Per regolare la tensione del nastro si agisce sugli stessi dadi che si regolano per l'allineamento.

1. Accendere l'attrezzo e regolare la velocità su 5 km/h.
2. Stringere entrambi i dadi in modo uguale ( $\frac{1}{4}$  in senso orario).
3. Camminando sul tappeto, e tenendosi ai corrimano, cercate di rallentarlo (come quando si cammina in discesa).

Se il nastro scivola, stringete ancora i dadi di  $\frac{1}{4}$  e ripetete il test. Se frenate violentemente il tappeto può scivolare. Se, nonostante la regolazione, il tappeto si allenta continuamente, contatta il tuo fornitore.

### DISTURBI DURANTE L'USO

Attenzione! Nonostante un continuo controllo della qualità, l'attrezzatura potrebbe talvolta presentare difetti e malfunzionamenti, causati da qualche singolo componente. Nella maggior parte dei casi, non c'è bisogno di mettersi a far riparare tutta l'attrezzatura, ma generalmente basta sostituire il pezzo o la parte difettosa.

Se nel tuo treadmill compaiono delle funzioni che siano fuori dell'ordinario, gira l'interruttore di corrente in posizione OFF e aspetta per circa un minuto. Poi rimetti in funzione il tappeto ed assicurati che il fenomeno sia scomparso. Qualora non si presenti più il suddetto problema, l'attrezzo può essere usato come d'abitudine. Se però il problema non fosse scomparso, contatta il rivenditore.

Se l'attrezzo non funziona bene durante l'uso o se si ha bisogno dei pezzi di ricambio, contatta il tuo rivenditore Tunturi indicando che cosa si tratta, le condizioni in cui la usi, la data di acquisto, il modello e il numero di serie del tuo attrezzo.

### CODICI DISFUNZIONI

L'interfaccia fornisce, sul display, le informazioni relative a malfunzionamenti da essa stessa rilevati. Il codice di disfunzione ti si rivela sullo schermo con la sigla Err.

**ERR 1:** la velocità del tappeto non è conforme al valore prefissato. Stacca la corrente del treadmill, aspetta per un minuto e poi rimetti in funzione il tappeto. Qualora non si presenti più il suddetto problema, l'attrezzo può essere usato come d'abitudine. Se però il problema non fosse scomparso, contatta il rivenditore.

**ERR 2:** la velocità del tappeto supera il limite di sicurezza. Contatta il rivenditore.

**ERR 3:** la chiave di sicurezza si è staccata Fissa la chiave al suo posto e continua l'esercizio.

Congegno di sicurezza per la regolazione della velocità

Qualora la velocità del tappeto sia differente da quella prefissata, il congegno di sicurezza, come misura protettiva, blocca il treadmill facendo scattare l'alimentazione di corrente e segnala con lampeggi i valori del contatore. Metti l'interruttore in posizione OFF e, dopo l'attesa di un minuto, l'attrezzo è di nuovo pronto per l'uso.

### **SPOSTAMENTO ED IMMAGAZZINAGGIO**

Il J3F è possibile sollevarlo verticalmente in posizione di riposo salvaspazio. Dopo l'allenamento, spegnete l'interruttore e staccate la spina. Impugnate il telaio sul retro ed alzate la base. **IMPORTANT!** Non conservare mai il treadmill in posizione salvaspazio supportandolo solo dall'ammortizzatore a gas. Usare sempre il dispositivo di bloccaggio. Movimentarlo J3F come segue: Ovviamente staccate prima il cavo di alimentazione dalla spina. Sollevare la piattaforma e chiuderla. Stando dietro al tappeto, impugnate i corrimano e abbassate lentamente il tappeto sul pavimento.

**IMPORTANT!** Muovete l'attrezzo con estrema cautela su superfici non perfettamente piane, per esempio sulle soglie delle porte. Non trasportatelo con le sue ruote mai per le scale, dove invece essere trapostato.

**IMPORTANT!** Può darsi che dopo uno spostamento si debba allenare nuovamente il nastro.

Per prevenire problemi, conservate l'attrezzo in luogo non umido e con minori variazioni di temperatura possibili, protetto dalla polvere. Staccate sempre la spina quando non in uso.

### **DATI TECNICI**

**LUNGHEZZA** 160 cm (verticale 64 cm)

**ALTEZZA** 137 cm (verticale 155 cm)

**LARGHEZZA** 76 cm

**PESO** 68 kg

**DIMENSIONI NASTRO** 40 x 128 cm

**VELOCITÀ** 1,0-12 km/h

**PENDENZA** 2° = 3,5 %, 3,5° = 6,1 %, 5° = 8,7 %

**MOTORE** 1,5 HP

Tutti i modelli Tunturi sono stati progettati in conformità delle direttive dell'Unione Europea circa i congegni elettromagnetici, EMC (89/336/CEE) e materiale elettrico destinato all'uso nell'ambito di determinati limiti di tensione (73/23/CEE) e possono perciò portare affisso il marchio di conformità CE. Il J3F è in conformità con gli standard EN per la precisione e la sicurezza (Classe B, EN-957, parti 1 e 6).

A causa di una politica volta a un continuo

sviluppo del prodotto, la Tunturi si riserva il diritto di effettuare cambiamenti nelle caratteristiche degli attrezzi, senza darne relativo preavviso.

**IMPORTANT!** La garanzia non copre danni derivanti da inosservanza, nel montaggio, regolazione e manutenzione, delle istruzioni fornite nella presente guida. Le istruzioni per montaggio, uso e manutenzione della tua attrezzatura, devono essere seguite con molta cura. Non rispondiamo di cambi o modifi che non espressamente approvate da Tunturi Oy Ltd.

**Ti auguriamo di avere la gioia di fare tanti allenamenti, insieme al tuo nuovo amico Tunturi!**

# MANUAL DEL USUARIO

## J3F

### INFORMACIÓN Y

### PRECAUCIONES

Esta guía es una parte esencial de su equipo de entrenamiento. Lea atentamente esta guía antes del montaje, uso o mantenimiento de su equipo de ejercicio. Mantenga esta guía en lugar seguro; le brindará hoy y en el futuro la información que necesite para usar y mantener su equipo. Siga siempre atentamente sus instrucciones.

- Esta máquina sólo se debe enchufar a un enchufe con toma de tierra. No enchufe nunca la máquina a una alargadera. El consumo máximo de la máquina es de 10 A. Los enchufes a los que se conecten otros aparatos o cuya corriente fl uctúe en más de un 5 % pueden producir el funcionamiento errático de la máquina o afectar negativamente a su electrónica. El uso de una corriente eléctrica distinta a la especificada en este manual anula la garantía explícita o tácita de la máquina.

- Esta máquina está equipada con un cordón con enchufe con toma de tierra. No cambie la clavija suministrada con la máquina. Si no la puede enchufar a su enchufe, pida a un electricista autorizado o a una persona familiarizada con el mantenimiento de aparatos electromecánicos que le instale uno adecuado, que cumpla además las normas en vigor.

- Antes de iniciar cualquier entrenamiento, consulte a un médico para revisar su estado de salud.

- Si siente náuseas, vértigo u otros síntomas anormales, deje el ejercicio inmediatamente y consulte a un médico.

- No intente hacer revisiones o ajustes no descritos en este Manual. Siga al pie de la letra las instrucciones de servicio. Antes de hacer cualquier tarea de montaje o mantenimiento compruebe si la máquina está apagada y desenchufada.

- El equipo no puede ser usado por personas de más de 110 kg.

- Se puede usar esta máquina en casa. La garantía de 12 meses cubre únicamente los defectos producidos durante el uso doméstico.

### Bienvenido al mundo Tunturi del ejercicio

Su elección demuestra que Ud. realmente está dispuesto a invertir en su bienestar y en su condición física, y asimismo sabe apreciar la calidad y el estilo. Con el equipamiento de ejercicio

Tunturi, Ud. ha elegido como compañero de entrenamiento un producto de alta calidad, seguro y motivador. Cualquiera sea su meta, puede estar seguro de que este equipo le acompañará hasta cumplirla.

### MONTAJE

Compruebe si en el embalaje están todas las piezas:

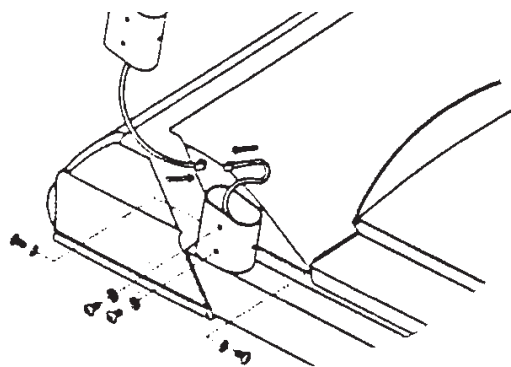
1. Armazón
2. Reposabrazos (2)
3. Manillar horizontal
4. Velocímetro
5. Cable de alimentación
6. Kit de montaje (piezas han marcado con \* en la lista)

Si hubiera algún problema, póngase en contacto con su distribuidor Tunturi. El paquete incluye un saco de silicato para absorber la humedad durante el almacenamiento y transporte. Puede desecharlo una vez que haya abierto el paquete. Las direcciones derecha, izquierda, adelante y atrás se definen desde la posición de ejercicio. El montaje del equipo se realiza de la siguiente manera:

**NOTA:** Levante y bloquee la cinta rodante en su posición superior antes de sacar el equipo del embalaje.

### REPOSABRAZOS

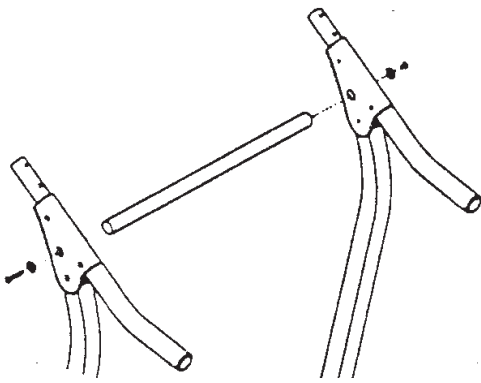
Ajuste los cables del reposabrazos izquierdo y del armazón. Ajuste los dos reposabrazos con 4 tornillos y arandelas. **NOTA:** Apriételes totalmente sólo después de haber ajustado el manillar horizontal y el velocímetro.



### MANILLAR HORIZONTAL

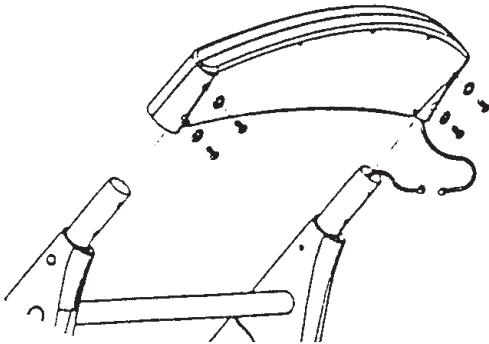
Coloque el manillar horizontal en el reposabrazos de manera que el extremo del primero, que queda menos cubierto por el plástico, se ajuste en el lado derecho. Primero, coloque este extremo y, después, el izquierdo. Apriete el extremo izquierdo del manillar horizontal con la ayuda de un tornillo largo y una arandela y el extremo derecho con un tornillo corto y una arandela. **NOTA:** Apriete totalmente los tornillos sólo después de haber ajustado el velocímetro.





### PANTALLA

Enchufe el cable del reposabrazos izquierdo al de la pantalla y coloque éste último apretándolo a la parte superior del reposabrazos. Ajuste la pantalla con 4 tornillos y arandelas. Finalmente apriete los otros tornillos del reposabrazos. Quite ahora la película protectora que lleva la pantalla.



### CABLE DE ALIMENTACIÓN

Conecte la clavija pequeña del cable en el enchufe que lleva la máquina en la parte delantera inferior derecha. Antes de conectar el equipo a la fuente de electricidad, verifique que la tensión local coincida con la indicada en la placa de modelo. El equipo J3F funciona con 230 V. Encienda el equipo con el interruptor que se encuentra al lado del enchufe.

**NOTA:** Se debe conectar la J3F a un enchufe con toma de tierra. No use alambres de extensión al conectar el equipo a la corriente.

### LLAVE DE SEGURIDAD

Si se quita la llave de la cerradura que hay cerca de la pantalla, la máquina se parará inmediatamente. Meta la llave de seguridad amarilla en el conector al lado izquierdo de la interfaz. Sujete el clip del otro extremo del cordón de la llave a su camisa o sudadera. Asegúrese de que el clip de la llave de seguridad está bien sujeto a su ropa, comprobando si al tirar del cordón no se suelta el clip hasta que se desconecte la llave de seguridad de la interfaz de usuario.

## EJERCICIOS

### SOBRE SU SALUD

- Para evitar dolores y tensiones musculares, comience y finalice cada sesión con ejercicios de estiramiento.

### SOBRE EL ESPACIO DE EJERCICIO

- Esta máquina no se debe usar a la intemperie. El equipo tolera una temperatura ambiente de entre +10°C y +35°C. La humedad relativa ambiente nunca debe exceder el 90 %.
- Coloque el equipo sobre una superficie firme y nivelada. Deje unos 120 cm de espacio detrás de la máquina y unos 60 a cada lado y delante.
- Es una buena idea colocar el equipo sobre una base protectora.
- Verifique que el sitio de ejercicio tenga una ventilación adecuada. Para evitar resfriados, no haga ejercicio en un sitio con corrientes de aire.

### SOBRE EL USO DEL EQUIPO

- Cierre siempre el interruptor de alimentación después de su sesión de ejercicios.
- Los padres u otros responsables de menores deben notar que el espíritu de juego y la curiosidad natural de los niños pueden conducir a situaciones para las que el equipo no está diseñado. Si se les permite a los niños usar el equipo de ejercitación, deben ser supervisados y educados en el uso del mismo, considerando su desarrollo físico y mental y su personalidad.
- Sólo una persona por vez puede usar el equipo.
- Mantenga las manos alejadas de las piezas móviles. No ponga nunca las manos, los pies u otros objetos bajo la máquina de caminar.
- Para hacer ejercicio lleve ropa y calzado adecuado. Atese bien los cordones de los zapatos. Para evitar heridas o un desgaste innecesario de la máquina, limpie bien la suela de sus zapatos de las piedras o gravilla que pudiera tener.
- Antes de comenzar a usar el equipo, asegúrese de que funciona correctamente en todo sentido. No use un equipo averiado.
- No use la máquina sin los protectores.

## ELEVACIÓN

El dispositivo tiene tres niveles de elevación 2° = 3,5 %, 3,5° = 6,1 %, 5° = 8,7 %. Levante la base corriente y ponga el bulto de ajuste a la posición deseada. Asegúrese que el bulto se cierra con llave.

### COMIENZO DE SESIÓN

- Si siente náuseas, vértigo u otros síntomas anormales, deje el ejercicio inmediatamente y consulte a un médico.
- Para evitar dolores y tensiones musculares, comience y finalice cada sesión con ejercicios de

estiramiento.

- Cuando no ande, coloque los pies en los raíles izquierdo y derecho. No permanezca de pie sobre la cinta en movimiento.
- Al subir o bajar de la máquina y al cambiar de velocidad durante el ejercicio, agárrese bien al manillar. No salte de la máquina mientras esté en movimiento.

### AL FINAL DE SESIÓN

- Desconecte la llave de seguridad de la interfaz.
- Apague la máquina con el interruptor.
- Desenchufar la máquina del conector y de la corriente.
- Si fuera necesario, limpie la máquina con un paño húmedo. No use disolventes.
- Guarde el cordón donde no estorbe y fuera del alcance de los niños.

### CUÁL ES LA MEJOR MOTIVACIÓN

#### PARA CONTINUAR

Es fácil comenzar a hacer ejercicios, pero aún más fácil es abandonarlos. Para lograr las metas que Ud. se fi je, necesitará una motivación constante para continuar hasta alcanzar su objetivo inmediato: una mejor calidad de vida y salud para toda la vida.

Recuerde:

- Fíjese metas realistas.
- Progrese paso a paso siguiendo su propio cronograma.
- Lleve un diario de su estado y anote sus progresos.
- Modifi que sus formas de ejercicio de tiempo en tiempo.
- Use su imaginación.
- Hágase una auto-disciplina.

Ud. es quien mejor sabe cómo encontrar su motivación interior. No haga del ejercicio un asunto demasiado importante; su primer objetivo será simplemente hacerse el hábito de entrenar. Sólo cuando la actividad física regular le resulte algo natural, fíjese nuevas metas. Un aspecto importante de su entrenamiento es la versatilidad. Un entrenamiento variado ejercita diferentes grupos musculares y le ayuda a mantener la motivación.

Sea cual sea su objetivo, obtendrá los mejores resultados entrenando a un nivel de esfuerzo adecuado, para lo cual el mejor indicador es su propio ritmo cardíaco. Determine primero su ritmo cardíaco máximo, es decir, el ritmo que ya no aumenta al incrementarse el esfuerzo. Si Ud. no conoce su ritmo cardíaco máximo, use como guía la siguiente fórmula:

**MUJERES: 226 - edad, HOMBRES: 220 - edad**  
Estos son valores promedio, y el máximo varía según las personas. El ritmo cardíaco máximo

disminuye en promedio un punto por año. Si Ud. pertenece a alguno de los grupos de riesgo anteriormente mencionados, solicite a un médico que le mida su ritmo cardíaco máximo. Hemos definido tres zonas diferentes de ritmo cardíaco para ayudarle en su entrenamiento dirigido.

#### PRINCIPIANTE:

##### 50-60 % del ritmo cardíaco máximo

También recomendable para "vigilantes de peso", convalecientes y personas que no hayan hecho ejercicio físico durante largo tiempo. Se recomiendan tres sesiones semanales de por lo menos media hora cada una. El ejercicio regular mejora considerablemente las funciones respiratorias y circulatorias de los principiantes, quienes rápidamente sentirán el progreso.

#### ENTRENAMIENTO:

##### 60-70 % del ritmo cardíaco máximo

Perfecto para una ejercitación de progreso y mantenimiento. Un esfuerzo regular y razonable desarrolla efectivamente el corazón y los pulmones entrenando un mínimo de 30 minutos al menos tres veces por semana. Para mejorar aún más su condición, aumente o la frecuencia o el esfuerzo, pero no ambos al mismo tiempo.

#### ENTRENAMIENTO ACTIVO:

##### 70-80 % del ritmo cardíaco máximo

El ejercicio de este nivel es adecuado sólo para quienes están en óptimo estado, y presupone trabajos de alto rendimiento.

### TECLAS DE FUNCIÓN

**STOP** Pulsando la tecla STOP la cinta se para.

#### TECLAS DE CONTROL DE LA VELOCIDAD

Las teclas de control de la velocidad (liebre/tortuga) están situadas debajo de la pantalla. Aumenta la velocidad de la cinta en pasos de 0,1 km/h pulsando la tecla liebre o reduce la velocidad en pasos de 0,1 km/h pulsando la tecla tortuga. Si se pulsan más prolongadamente estas teclas, la velocidad cambia más rápidamente. La velocidad de la cinta trotadora varía entre 1,0 y 12 km/h.

**SELECT** Antes de empezar el ejercicio con la tecla SELECT puede seleccionar cualquier de los programas fijos (P1 - Pasos ligeros, P2 - Control de peso, P3 - Ejercicio para aumentar la fuerza). En el caso de haber empezado el ejercicio (habiendo pulsado la tecla verde START), puede seleccionar con la tecla SELECT el valor de la pantalla central (Distancia / Consumo de energía).

**START** Pulsando la tecla START la cinta se pone en funcionamiento.

### PANTALLAS

La luz indica qué valor sale en la pantalla.

**TIME** Duración del ejercicio (en minutos y segundos 00:00 - 59:59, y después, en horas y

minutos 1:00-99:59).

**DISTANCE** Distancia recorrida en kilómetros (0-19.9 km) en escalones de 0.1 km.

**CALORIES** Consumo estimado de energía (0-999 kcal) en escalones de 1 kcal.

**SPEED** La velocidad de la cinta (1-12 km/h en escalones de 0.1 km/h).

### EJERCICIOS SIN PREPROGRAMACIÓN

Una vez enchufada la máquina y colocada la llave de seguridad, los valores de la pantalla están a cero. Pulse la tecla liebre hasta que la pantalla indique la velocidad deseada; la velocidad más baja para empezar es de 1 km/h. Pulse la tecla verde START: después de 3 segundos la cinta se pone en marcha. Durante el ejercicio se puede cambiar la velocidad pulsando las teclas liebre / tortuga.

También, puede iniciar el ejercicio pulsando directamente la tecla verde START. La cinta se pone en marcha con una velocidad de 1.0 km/h. Después, puede controlar la velocidad con la ayuda de las teclas de control de velocidad.

### EJERCICIOS PREPROGRAMADOS

Una vez enchufada la máquina y colocada la llave de seguridad, puede seleccionar uno de los tres perfiles de ejercicios preprogramados pulsando la tecla SELECT.

**P1** - Pasos ligeros

**P2** - Control de peso

**P3** - Ejercicio para aumentar la fuerza

Después de haber seleccionado uno de los tres pulse la tecla START: En 3 segundos la cinta se pone en marcha. Cada ejercicio dura un período de 30 minutos; durante el mismo puede cambiar la velocidad pulsando las teclas liebre / tortuga, pero el cambio solamente afecta a un período de un minuto durante el cual se produjo el mismo.

### MANTENIMIENTO

Compruebe de vez en cuando si todos los tornillos y tuercas están bien apretados y los cables bien colocados.

### LUBRICACION DE LA BASE DE LA CINTA

La lubricación es la medida de mantenimiento más importante de la cinta corredora. La lubricación es absolutamente necesaria siempre que se de cuenta de que la resistencia de la cinta corredora haya crecido; si se produjera más rozamiento del normal, se notaría porque la cinta rodante daría tirones. Una lubricación insuficiente conducirá a que se desgasten y rompan la cinta, la placa de base y el motor. Cuando se trata de un uso habitual (un ejercicio de 30 minutos tres veces por semana) es necesario realizar la lubricación con aceite T-Lube cada 4 a 6 meses. Compruebe el estado de lubricación tocando con la mano la placa de base

debajo de la cinta rodante cuando ésta esté parada; en el caso que ésta se encuentre humedecida, no hay necesidad de lubricación. Si la placa de base se encuentra totalmente o bastante seca, pulverícela inmediatamente con lubricante según las siguientes instrucciones:

1. Parar la cinta corredora.
2. Ajustar el inyector al tubo de spray de lubricación.
3. Levantar el borde de la cinta rodante.
4. Colocar el inyector entre la cinta y la placa de base aproximadamente a 20 cm de la parte delantera de la máquina.
5. Pulverizar con el lubricante a lo largo de toda la placa de base alcanzándola al máximo hacia el centro de la misma.
6. La máquina está preparada ya para el uso instantáneamente.

**NOTA:** Lubricar la placa de base sólo con T-Lube de Tunturi. El aceite T-Lube lo puede adquirir en su distribuidor de Tunturi.

### LIMPIEZA DE LA MÁQUINA

Quite el polvo de las superficies de la máquina, sobre todo de los manillares y del contador, con un paño o toalla húmedos. No use disolventes. Limpie con una aspiradora de boquilla fina todos los componentes de la máquina (cinta, base de la cinta, raíles laterales, etc.). Para limpiar la parte inferior de la máquina, levante la cinta rodante hasta su posición vertical.

### AJUSTE DE LA CINTA RODANTE

Observe el movimiento de la cinta durante el ejercicio y lleve a cabo los siguientes ajuste siempre de inmediato al darse cuenta de la necesidad de hacerlo. La cinta debe rodar por el centro del armazón. Generalmente no tendrá que alinearla, siempre que:

- la máquina esté situada sobre una superficie horizontal y bien lisa y la cinta esté bien tensa;
- la cinta esté bien alineada.

Sin embargo se puede desplazar a un lado según sea el estilo de correr del usuario (p. ej., que cargue más peso sobre una pierna). La alineación de la cinta se hace girando los dos pernos que hay detrás de la máquina.

1. Encienda la máquina y aumente la velocidad de la cinta hasta 5 km/h.
2. Si la cinta se desplaza hacia la izquierda, gire el perno de ajuste de la izquierda 1/4 de vuelta en el sentido de las agujas del reloj y el perno de la derecha 1/4 de vuelta en sentido contrario. No apriete más de 1/4 de vuelta cada vez, pues basta con un giro muy pequeño. Si la cinta se desplaza hacia la derecha, gire el perno de ajuste de la derecha 1/4 de vuelta en el sentido de las agujas

del reloj y el perno de la izquierda 1/4 de vuelta en sentido contrario.

**3.** Si ve que la cinta gira centrada, ya está hecho el ajuste. Si no, siga con el anterior procedimiento hasta que quede centrada. Si deja la cinta desplazada hacia un lado mucho tiempo, los bordes se rozarán y no girará correctamente. La garantía no cubre los daños causados en la cinta por falta de los ajustes necesarios.

### AJUSTE DE LA TENSION DE LA CINTA

Si la cinta patina sobre los rodillos, hay que tensarla. Sin embargo, durante el uso normal tiene que estar lo menos tensa posible. La tensión de la cinta se ajusta girando los mismos pernos utilizados para alinearla.

1. Poner en marcha la cinta a 5 km/h.
2. Gire los dos tornillos de ajuste en el sentido de las agujas del reloj aproximadamente 1/4 de vuelta cada uno.
3. Trate de frenar la cinta poniéndose encima, sujetándose al manillar con las dos manos y parándola con los pies (como si estuviera bajando una cuesta).

Si la cinta resbala, gire otra vez los pernos 1/4 de vuelta y repita el procedimiento. Si intenta frenar muy fuerte, la cinta resbalará. Si la cinta sigue resbalando a pesar de los ajustes, contacte con el distribuidor del equipo.

### DEFECTOS DE

### FUNCIONAMIENTO

**NOTA:** Pese al continuo control de calidad que realizamos, el equipo puede presentar defectos o malfuncionamientos debidos a fallos en componentes individuales. En la mayoría de los casos no es necesario llevar todo el equipo a reparar, y generalmente es suficiente con reemplazar la parte defectuosa. En el reverso de esta guía encontrará la lista de piezas. Si el equipo no funciona correctamente durante su uso, tome contacto inmediatamente con su proveedor Tunturi, informando el modelo y el número de serie del equipo.

En el caso que se produzcan funciones anormales en el equipo coloque el interruptor en la posición OFF y espere aproximadamente un minuto. Vuelva a poner en marcha la cinta para comprobar que el aparato ya funciona adecuadamente. En este caso puede seguir utilizando el equipo. Si el problema persiste, póngase en contacto con el distribuidor del equipo.

### CÓDIGOS DE ERROR

La interfaz informa de los fallos detectados indicándolos en la pantalla. Reconocerá un código de error por la abreviación Err en la pantalla.

**ERR 1:** La velocidad de la cinta no corresponde al

valor introducido. Apague la cinta rodante, espere un minuto y vuelva a ponerla en marcha. Si no aparece la indicación de error, puede seguir usando el equipo. En el caso contrario, contacte con el vendedor.

**ERR. 2:** La velocidad de la cinta sobrepasa el límite de seguridad. Contacte con el distribuidor del equipo.

**ERR 3:** Si se quita la llave de seguridad. Colocarla de nuevo y continuar con el ejercicio.

### CONECTADOR DE CONTROL

#### DE VELOCIDAD

En el caso que la velocidad de la cinta cambie en relación con la introducida, el conector de control de velocidad cortará la corriente eléctrica como medida de seguridad indicando los valores del velocímetro. Coloque el interruptor en la posición OFF, espere un minuto y el equipo está preparado para volver a usarlo.

### TRASLADO Y ALMACENAJE

Ud. puede levantar la cinta di J3F hasta una posición vertical para que ocupe menos espacio: Apague el botón de la batería y desenchufe el cordón eléctrico de la toma de corriente y del andador. Sujete el tubo de la estructura por debajo de la parte trasera de la base andadora y levante la base andadora. **NOTA:** No deje nunca la cinta rodante en posición vertical sin sujetarla con el enganche de seguridad. Antes de moverla la J3F, compruebe si está desenchufada del conector de la máquina y de la corriente. Levante la cinta andadora y ciérrela. Sitúese detrás del andador, sujete los manillares, mueva el andador mediante las ruedas y bájelo al suelo cuidadosamente.

**NOTA:** Para transportar la máquina a través de superficies irregulares o escaleras, extreme la precaución: la máquina debe ser transportada en vilo (no usar las ruedas).

**NOTA:** Después de mover la máquina puede que tenga que alinear y centrar la cinta.

Para mantener la máquina en perfecto estado de funcionamiento guárdela en un lugar seco donde la temperatura no varíe mucho. Protéjala del polvo. Mantenga la máquina siempre desenchufada de la corriente cuando no la use.

## DATOS TÉCNICOS

**LONGITUD** 160 cm (posición de almacenaje 64 cm)

**ALTURA** 137 cm (posición de almacenaje 155 cm)

**ANCHURA** 76 cm

**PESO** 68 kg

**LONGITUD DE LA CINTA RODANTE** 128 cm

**ANCHURA DE LA CINTA RODANTE** 40 cm

**VELOCIDAD** 1,5-12 km/h

**GRADOS DE INCLINACIÓN**

2° = 3,5 %, 3,5° = 6,1 %, 5° = 8,7 %

**MOTOR** 1,5 HP

Todos los modelos Tunturi están diseñados de modo que cumplen la directiva de la UE sobre compatibilidad electromagnética, EMC (89/336/EEC) y equipo eléctrico diseñado para su uso dentro de ciertos límites de tensión (72/23(EEC)). Por lo tanto, este producto ostenta la etiqueta CE. La Tunturi J3F cumple con las normas CEN de precisión y seguridad (Class B, EN-957, 1+6).

Debido a nuestro continuo programa de desarrollo del producto, nos reservamos el derecho a cambiar sus especificaciones sin previo aviso.

**NOTA:** La garantía no cubre daños debidos a negligencias en los procedimientos de montaje, ajuste y mantenimiento descritos en esta guía. Deben seguirse estrictamente estas instrucciones en el montaje, uso y mantenimiento de su equipo. Cambios o modificaciones no expresamente aprobados por Tunturi Oy Ltd no están autorizados a los usuarios.

**Le deseamos muchas agradables sesiones de entrenamiento con su nuevo compañero de ejercicio Tunturi.**

## HANDLEIDING J3F

### OPMERKINGEN

### EN ADVIEZEN

Deze gids is een essentieel onderdeel van uw Tunturi looptrainer. Lees deze gids zorgvuldig door vóórdat u begint met monteren, gebruiken of onderhouden van uw looptrainer. Bewaar de gids op een handige plaats. U kunt er, nu en in de toekomst, nuttige informatie uithalen die u nodig heeft voor het gebruik en het onderhoud van de apparatuur. Volg de instructies altijd met zorg op.

- De trainer mag alleen worden aangesloten op een geaard stopcontact. Het stroomverbruik bedraagt maximaal 10 A. Het gebruik van een verlengsnoer is niet toegestaan. Spanningsfluctuaties van meer dan 5% kunnen storingen in de werking van de trainer veroorzaken of de elektronische componenten beschadigen. Indien de netspanning onvoldoende gereguleerd is of de trainer anderszins niet overeenkomstig deze gebruiksaanwijzing wordt aangesloten, vervalt de garantie.
- De J3F mag alleen worden aangesloten op een geaard stopcontact. Het gebruik van een verlengsnoer is niet toegestaan.
- Beperk u tot het onderhoud en instellingen zoals in deze handleiding worden beschreven. Stop direct als zich andere problemen voordoen en vraag advies bij uw Tunturi specialist.
- Laat door een arts, voordat u met trainen begint, uw gezondheid controleren.
- Mocht u tijdens het trainen last krijgen van misselijkheid, duizeligheid of andere niet normale verschijnselen, stop dan direct uw training en raadpleeg een arts.
- Bij het afstellen en het onderhouden van de trainer dient u deze gebruiksaanwijzing op te volgen. Bij montage- en onderhoudswerkzaamheden dient u eerst de hoofdschakelaar van de looptrainer, uit te schakelen en de stekker uit het stopcontact te nemen.
- De J3F mag niet worden gebruikt door personen die zwaarder zijn dan 110 kg.
- De J3F is alleen voor thuisgebruik. De garantietermijn van de J3F bij thuisgebruik is 12 maanden.

**Welkom in de wereld van Tunturi-training!**

Uw keuze toont aan, dat u echt in uw gezondheid en conditie wilt investeren. Het bewijst ook, dat u kwaliteit en stijl belangrijk vindt en dit waardeert. Met deze Tunturi looptrainer heeft u een veilig, motiverend, kwaliteitsproduct als trainingspartner gekozen. Wat uw trainingsdoel ook is, wij zijn ervan overtuigd dat de keuze van deze trainer de juiste is, om uw doel te bereiken.

## MONTAGE

Controleer of de verpakking alle onderdelen bevat:

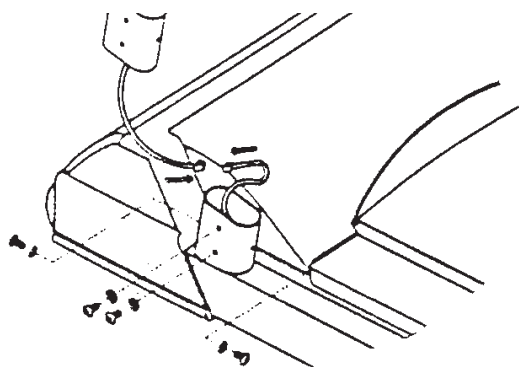
1. Looptrainer
2. Elektriciteits snoer
3. Handrails (2)
4. Horizontale handrail
5. Bedieningspaneel
6. Set met montagebenodigheden (met \* in de onderdelenlijst)

Neem bij problemen contact op met uw Tunturi dealer. De aanduidingen rechts, links, voor en achter betekenen steeds rechts, links enz. gezien vanuit de gebruiker, staand op de loopmat. Monteer de looptrainer als volgt:

Om te voorkomen dat u zich bezeert, dient u eerst de loopplaat omhoog te klappen voordat u de looptrainer uit de doos haalt.

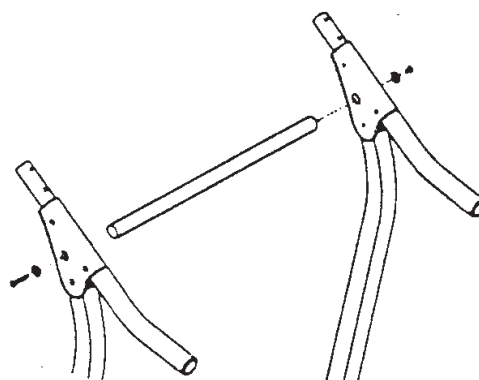
### HANDRAILS

Sluit de snoeren aan voordat u de handrails monteert. Bevestig iedere handrails met vier sluitringen en bouten. **LET OP:** Als het horizontale rails gedeelte en de monitor niet zijn bevestigd, kunnen de bouten niet worden aangedraaid.



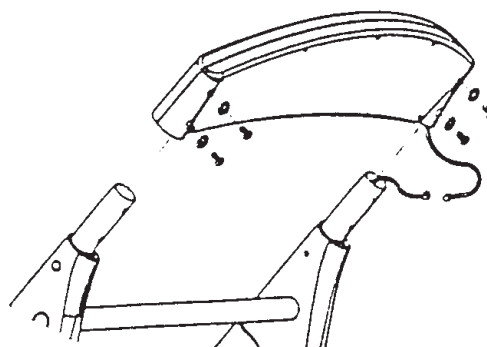
### HORIZONTALE HANDRAIL

De horizontale handrail (handgreep) is aan één kant smaller. Plaats de smalle kant van dit gedeelte in de rechter handrail voor u de horizontale handrail in de linkerkant bevestigt. **LET OP:** de linkerkant dient u te bevestigen met de lange bout en de rechterkant met de korte bout. Draai deze bouten niet aan indien de monitor nog niet is bevestigd.



### MONITOR

Sluit de snoeren aan en plaats daarna de monitor op de handrails. Het is mogelijk dat u de handrails aan beide kanten een beetje moet bewegen zodat de monitor goed past. Als de monitor eenmaal geplaatst is, kunt u de bouten van de monitor bevestigen en aandraaien. Draai alle bouten aan. Verwijder folie van de monitor.



### ELEKTRICITEITSNOER

Controleer, vóór u het apparaat aansluit op het elektriciteitsnet, of het voltage overeenkomt met het voltage dat aangegeven staat op het typeplaatje van uw apparatuur. Sluit de stroom aan het toestel met de stroomschakelaar naast de stekker aan.

**BELANGRIJK!** De J3F mag alleen worden aangesloten op een geaard stopcontact. Het gebruik van een verlengsnoer is niet toegestaan.

### NOODSTOP

De looptrainer en het bedieningspaneel werken alleen indien de veiligheidssleutel correct is geplaatst: als de veiligheidssleutel niet of niet juist is geplaatst, verschijnt op het display een foutmelding. Controleer of de knijper van de veiligheidssleutel goed aan uw kleding is bevestigd. Het koord van de sleutel mag, wanneer er aan getrokken wordt, niet los kunnen schieten van uw kleding voordat de sleutel uit het bedieningspaneel komt.

## FITNESS TRAINING

### OVER UW GEZONDHEID

- Om spierpijn te voorkomen, begin en eindig uw training met enkele rek en strek oefeningen.

### OVER DE RUIMTE WAAR U TRAJNT

- Zorg ervoor dat de ruimte waar u traint goed geventileerd wordt, maar dat het er niet tocht. Dit voorkomt kouvatten.
- Gebruik de looptrainer alleen binnenshuis. De ideale gebruikstemperatuur is tussen +10°C en +35°C. De luchtvochtigheid mag nooit hoger dan 90 % zijn.
- Plaats de trainer op een zo vlak mogelijke ondergrond, met aan de voorkant en aan de zijkanten minstens 60 cm vrije ruimte en aan de achterkant minstens 120 cm.
- Het is beter om de apparatuur op een extra stuk vloerbedekking of rubberen mat te plaatsen. Bij zware transpiratie is de vloer dan ook makkelijker schoon te maken.

### OVER HET GEBRUIK VAN

#### DE APPARATUUR

- Schakel na het trainen altijd de elektriciteit uit en neem de stekker uit het stopcontact.
- Ouders of volwassenen die verantwoordelijk zijn voor kinderen moeten zich altijd realiseren dat de speelsheid en nieuwsgierigheid van kinderen, kan leiden tot situaties waarvoor de apparatuur niet is ontworpen. Gebruik van de apparatuur door kinderen mag daarom alleen plaatsvinden onder supervisie van een volwassene.
- De J3F mag door slechts één persoon tegelijk gebruikt worden.
- Blijf altijd met uw handen uit de buurt van de band wanneer deze in beweging is. Zorg ervoor dat er zich geen obstakels onder het onderstel van de trainer bevinden en steek geen handen, voeten of voorwerpen tussen bewegende delen.
- Draag tijdens de training de juiste kleding en schoenen. Zorg ervoor dat uw schoenveters goed gestrikt zijn. Gebruik schoenen die alleen binnen worden gedragen. Steentjes, zand en ander vuil afkomstig van buitenschoenen, kunnen extra slijtage en/of storingen veroorzaken.
- Controleer voordat u met de training begint of de looptrainer in orde is. Gebruik de looptrainer nooit indien deze defect is.
- Gebruik de trainer alleen indien de behuizing en de beschermkappen correct zijn aangebracht.

#### LOOPHOEK INSTELLEN

Er zijn 3 verschillende loophoek niveaus ( $2^\circ = 3.5\%$ ,  $3.5^\circ = 6.1\%$ ,  $5^\circ = 8.7\%$ ). Ondersteun het loopoppervlak met de linkerhand en trek met de rechterhand de afstelknop uit. Stel de

juiste loophoek instelling in en laat de knop weer los. Controleer of het loopoppervlak weer goed vergrendel is.

### BEGINNEN MET DE TRAINING

- Om spierpijn te voorkomen, begin en eindig uw training met enkele rek en strek oefeningen.
- Ga voordat u de looptrainer start wijdbeens staan op de grijze treeplanken, die zich aan weerszijden van de band bevinden en start dan pas de looptrainer. Start de looptrainer nooit terwijl u er op staat.
- Houdt u altijd, bij het op- en afstappen van de band, of wanneer u tijdens het lopen de bandsnelheid wijzigt, vast aan de handgrepen. Spring nooit van een draaiende loopmat af!
- Mocht u tijdens het trainen last krijgen van misselijkheid, duizeligheid of ander abnormale verschijnselen, stop dan direct uw training en raadpleeg een arts.

### NA IEDERE TRAINING

- Neem de veiligheidssleutel uit het bedieningspaneel.
- Schakel de stroom uit via de hoofdschakelaar.
- Neem de stekker uit het stopcontact en neem het snoer uit de trainer.
- Met een vochtige doek de looptrainer schoonmaken. Gebruik geen oplosmiddelen.
- Berg het snoer op een veilige plaats op, buiten het bereik van kinderen.

### HOE BLIJFT U HET BEST GEMOTIVEERD?

Het is gemakkelijk om met trainen te beginnen, maar het is misschien nog wel makkelijker om er mee te stoppen! Om het doel, uw gezondheid en uw kwaliteit van leven, dat u zich gesteld heeft te bereiken, is het belangrijk dat u de juiste motivatie krijgt en houdt, om dóór te blijven gaan met trainen. Dit helpt u daarbij:

- stel een realistisch doel
- bouw uw training stap-voor-stap aan de hand van een schema op
- houdt een fitnessdagboek bij, waarin u de vorderingen noteert
- verander zo nu en dan de manier waarop u traint
- gebruik uw fantasie bij het trainen
- concentreer u op zelfdiscipline

Natuurlijk weet u zelf het beste hoe u zich moet motiveren. Maak van fitness training niet de belangrijkste zaak in uw leven. Uw eerste doel is te wennen aan het regelmatig trainen. Pas wanneer dat regelmatig trainen natuurlijk aanvoelt kunt u nieuwe doelen stellen.

Wat uw doel, uw streven ook met het trainen is, u bereikt het beste resultaat door te trainen op een niveau dat u aankunt. Daarvoor is, zoals

gezegd, uw hartslag de beste graadmeter. Om te beginnen dient u te weten wat uw maximale hartslag is: dit is de hartslag die bij meer inspanning niet meer hoger wordt. Als u niet weet wat uw maximale hartslag is, kunt u de volgende formule als leidraad nemen:

**VROUWEN: 226 minus de leeftijd**

**MANNEN: 220 minus de leeftijd**

Dit zijn gemiddelde waarden en het maximum varieert van persoon tot persoon. De maximale hartslag daalt per jaar met gemiddeld één punt. Als u tot de eerder genoemde risicogroepen behoort, vraag dan een arts uw maximale hartslag te bepalen. Om u te helpen met uw training, hebben wij drie verschillende hartslag niveaus geselecteerd.

#### **BEGINNER:**

**50 tot 60 % van de maximale hartslag**

Dit niveau is ook geschikt voor mensen die lijnen, mensen die herstellende zijn van een ziekte en mensen die lang niet getraind hebben. Drie trainingen van tenminste een halfuur per week zijn aan te bevelen. Regelmatig trainen stimuleert bij een beginner de ademhaling en bloedsomloop in sterke mate en zorgt al snel voor een merkbaar resultaat.

#### **GEMIDDELDE SPORTER:**

**60 tot 70 % van de maximale hartslag**

Een perfect niveau om de conditie te verbeteren en op peil te houden. Zelfs een redelijk normale inspanning - minimaal 3 trainingen van 30 minuten per week - heeft een positief effect op hart en longen. Om uw conditie verder te verbeteren kunt u het aantal keren trainen per week verhogen of de duur van uw training verlengen. Verhoog echter nooit beide tegelijkertijd!

#### **GETRAINDE SPORTER:**

**70 tot 80 % van de maximale hartslag**

Trainen op dit niveau is alleen weggelegd voor wie écht fit is en wie gewend is aan langdurige conditie trainingen.

## **TOETSEN**

**STOP** U beëindigt de training door op de STOP-toets te drukken.

**SNELHEID** Snelheid insteltoetsen (HAAS / SCHILDPAD - toets) zitten onder het beeldscherm. Door op de toets HAAS te drukken kunt u de snelheid van de band te doen toenemen in stappen van 0,1 km/h. De SCHILDPAD - toets dient om de snelheid van de band laten afnemen in stappen van 0,1 km/h. Langer op deze toetsen drukken maakt dat de snelheid sneller verandert. De loopbandsnelheid is van 1,0 tot 12 km/h.

**SELECT - KEUZE** Voor u de groene start knop indrukt, worden de ingestelde programma's geselecteerd. P1-looppas, P2-afvallen, P3-krachttraining. Nadat u de groene startknop heeft ingedrukt,

kunt u op het display een keuze maken voor afstand of calorieën.

**START** Activeert en versnelt geleidelijk de snelheid van de looptrainer tot het door u ingestelde trainingsniveau.

## **FUNCTIES**

**TIME** Trainingstijd 0:00 - 59:59 met 1 s nauwkeurigheid

**DISTANCE** Trainingsafstand 0-19.9 km met 0,1 km nauwkeurigheid

**CALORIES** Calorieverbruik 0-999 kcal met 1 kcal nauwkeurigheid

**SPEED** Snelheid van de mat 1-12 km/h met 0,1 km/h nauwkeurigheid

## **TRAINING ZONDER VOORAF**

### **INGESTELD PROGRAMMA**

Nadat de stroom is aangesloten en de veiligheidssleutel op de juiste plaats is bevestigd, ziet u dat alle waarden op het display op nul staan. Met de snelheidsknop stelt u de gewenste trainingssnelheid in. De minimum snelheid is 1 km per uur. Als de trainingssnelheid is ingesteld, kunt u de groene startknop indrukken. Het duurt drie seconden voordat de looptrainer op snelheid komt. Tijdens het trainen kunt u de snelheid te allen tijde verhogen of verlagen door de snelheidknop met het pijltje naar boven of naar beneden in te drukken.

Of u kunt direct de groene startknop indrukken; de looptrainer komt op snelheid 1 km per uur. Tijdens het trainen kunt u de snelheid te allen tijde verhogen of verlagen door de snelheidknop met het pijltje naar boven of naar beneden in te drukken.

## **TRAINING MET VOORAF**

### **INGESTELD PROGRAMMA**

Nadat de stroom is aangesloten en de veiligheidssleutel op de juiste plaats is aangesloten, kunt u **KEUZE** indrukken om zo één van de drie vooraf ingestelde programma's te selecteren.

**P1** -looppas

**P2** -afvallen

**P3** -krachttraining

Als u uw keuze heeft gemaakt, drukt u op de **START**-knop om zo de looptrainer te activeren. Elk programma is ingesteld op een training van dertig minuten. Elk onderdeel duurt één minuut. Gedurende elk onderdeel kunt u, indien u er moeite mee heeft de snelheid bij te houden, de snelheid aanpassen op het gewenste niveau door op de knop te drukken met het pijltje naar beneden. Deze aangepaste snelheid geldt alleen tijdens het onderdeel van dat moment. In het daaropvolgende onderdeel schakelt de looptrainer automatisch



terug naar de vooraf ingestelde snelheid volgens het programma.

### ONDERHOUD

Controleer een keer per jaar of alle bouten en moeren nog goed vast zitten. Draai ze echter niet te strak aan.

### SMERING

Het belangrijkste onderhoud van de looptrainer bestaat uit de smering tussen de loopplaat en de loopmat. Smering is beslist noodzakelijk, wanneer u merkt dat de weerstand tijdens het lopen, van de loopmat toeneemt, of de motor warmer wordt dan normaal; u merkt dat de wrijving is toegenomen als de band schokkend loopt of een branderige lucht geeft. Onvoldoende smering veroorzaakt slijtage aan loopmat, loopplaat, motor en aan de elektronische besturing. Dit kan zelfs leiden tot zeer ernstige beschadiging van deze onderdelen. Met een gemiddeld gebruik (een trainingssessie van 30 minuten drie keer in de week voor twee personen) dient de looptrainer iedere vier tot zes maanden te worden doorgesmeerd met silicone. Het aantal keren dat de looptrainer wordt doorgesmeerd kan aan de gebruikintensiviteit van de looptrainer worden aangepast. Het smeringniveau kunt u controleren door de loopmat op te tillen en uw hand vervolgens zover mogelijk in het midden van de mat te plaatsen. Indien de plaat droog aanvoelt en er geen smeermiddel op uw hand te zien is, dient u de looptrainer als volgt door te smeren:

1. Stop de loopmat zodat de matnaad boven en in het midden van de plaat is.
2. Plaats de spuitpijp in de sproeiknop van de smeerbuis.
3. Til de loopmat op.
4. Plaats de straalpijp tussen de mat en de plaat op ongeveer 200 mm van de oorkant van de looptrainer.
5. Breng het smeermiddel aan vanaf de voorkant tot de achterkant van de looptrainer. Probeer de spuit zover mogelijk in het midden van de loopplaat te plaatsen.
6. De looptrainer is nu weer klaar voor gebruik.

**LET OP!** De looptrainer dient uitsluitend te worden gesmeerd met de door Tunturi aanbevolen smeermiddel. De looptrainer mag nooit met andere smeermiddel worden gesmeerd, dan T-Lube. Raadpleeg uw plaatselijke Tunturi dealer voor het verkrijgen van het juiste smeermiddel T-Lube.

### REINIGING VAN DE LOOPTRAINER

Verwijder stof en vuil van het bedieningspaneel en reinig de handgrepen met een licht vochtige doek. Gebruik geen oplosmiddelen. Reinig de zichtbare delen van het frame (o.a. onderstel en zijkant) en

de band regelmatig met een stofzuiger. Klapt u de looptrainer op om de onderkant schoon te maken.

### HET CENTREREN VAN DE LOOPMAT

Controleer tijdens het gebruik of de loopmat goed blijft lopen. Indien de band afstelling behoeft, wacht hier dan niet mee tot na de training maar voer dit onmiddellijk uit. De band dient altijd over het midden van de trainer te lopen. Centreren zal over het algemeen niet nodig zijn wanneer:

- de looptrainer op een vlakke ondergrond staat en de loopmat goed gespannen is;
- de loopmat correct is gecentreerd.

Het kan echter zijn dat als gevolg van een bijzondere loopstijl de loopmat enigszins uit het midden raakt. Het centreren van de loopmat:

1. Controleer eerst of de looptrainer horizontaal / waterpas staat. Laat de loopmat vrij draaien met een snelheid van 5 km/u.
2. Indien de band naar links trekt, draai dan de linker inbusbout achter op de trainer  $\frac{1}{4}$  slag in de richting van de klok mee en de rechter inbusbout  $\frac{1}{4}$  slag tegen de klok in. Het afstellen dient met de nodige voorzichtigheid te gebeuren daar een achtste slag al aanzienlijke gevolgen heeft voor de loop van de loopmat. Draai de inbusbouten dus met maximaal  $\frac{1}{4}$  slag in de richting van de klok of tegen de klok in. Controleer elke keer het gevolg hiervan. Laat de mat enkele minuten draaien, voor weer verder te gaan met afstellen. Indien de mat naar rechts trekt, draai dan de rechter inbusbout achter op de trainer  $\frac{1}{4}$  slag in de richting van de klok en de linker inbusbout  $\frac{1}{4}$  slag tegen de klok in.
3. De loopmat is correct afgesteld wanneer deze in het midden blijft lopen. Wanneer de mat nog steeds naar links of naar rechts trekt dient u het afstellen te herhalen, stapje voor stapje, totdat de loopmat recht loopt. Indien de mat gedurende langere tijd aanloopt kan deze ernstig beschadigen. De garantie op de trainer dekt geen storingen of beschadigingen die ontstaan zijn door het niet centreren van de mat.

### HET SPANNEN VAN DE LOOPMAT

Indien de mat gaat slippen dient u deze wat strakker te stellen. Het is niet goed om de loopmat te strak te zetten; houd de spanning zo laag mogelijk. Het bijstellen van de spanning doet u met dezelfde inbusbouten die ook voor het centreren worden gebruikt.

1. Laat de band vrij lopen met een snelheid van ongeveer 5 km/h.
2. Draai de beide inbusbouten achter op de trainer  $\frac{1}{4}$  slag in de richting van de klok.
3. Controleer of de spanning correct is door op de looptrainer te gaan lopen en deze af te remmen (alsof u bergaf loopt).

Indien de band bij licht afremmen nog steeds slipt, draai dan de inbusbouten nogmaals  $\frac{1}{4}$  slag aan en herhaal de controle. Bij krachtig afremmen mag de loopmat slippen. Als de mat, ondanks het afstellen, blijft doorslippen, neem dan contact op met uw Tunturi dealer.

## GEBRUIKSTORINGEN

**BELANGRIJK!** Ondanks voortdurende kwaliteitscontroles, kunnen er defecten of storingen optreden die het gevolg zijn van het niet goed functioneren van onderdelen die in de looptrainer zijn gebruikt. In de meeste gevallen is het onnodig om het gehele apparaat ter reparatie aan te bieden, aangezien de storing meestal kan worden opgelost door het vervangen van het defecte onderdeel. Mochten er storingen optreden bij het gebruik van de trainer, neem dan onmiddellijk contact op met uw Tunturi dealer. Vermeldt daarbij altijd het model en het serienummer van uw Tunturi trainer, de eventuele storingscode en door wie de trainer is geïnstalleerd.

Indien u merkt dat er iets niet in orde is met de looptrainer, schakelt u direct de looptrainer uit door de aan- en uitknop in te drukken. Wacht vervolgens één minuut en schakel de looptrainer weer aan. Op deze manier moeten incidentele fouten hersteld zijn en kan de looptrainer opnieuw worden gebruikt. Indien de looptrainer na het aan- en uitschakelen door de aan- en uitknop nog steeds niet goed functioneert, neem dan contact op met uw Tunturi dealer voor onderhoud.

Vermeldt bij het bestellen van onderdelen het model, het serienummer van het apparaat en het nummer van het onderdeel. Op de laatste pagina's van deze gids vindt u de onderdelenlijst.

## STORINGEN

De interface meldt de storingen op het screen aan. Een storingscode is te herkennen aan de afkorting Err.

### ERR 1: storing snelheidssensor

Schakel de looptrainer met de aan- en uitknop uit en weer aan om de looptrainer zo opnieuw in te stellen. Als de looptrainer weer normaal functioneert, kunt u de looptrainer verder gebruiken. Indien de looptrainer niet normaal functioneert, neem dan contact op met de dealer voor onderhoud.

### ERR 2: storing te veel snelheid

Neem contact op met uw dealer voor onderhoud.

### ERR 3: storing veiligheidsleutel

Bevestig de veiligheidsleutel op de juiste plaats en ga door met trainen.

## BEVEILIGINGSSYSTEEM

Om uw veiligheid te waarborgen is deze looptrainer ontworpen en voorzien van een

activeringsbeveiliging. Indien de toegestane snelheid van de looptrainer overschreden wordt of onder de gangbare snelheid komt, wordt de looptrainer uitgeschakeld door het

## TRANSPORT EN OPSLAG

De J3F kunt u als volgt opklappen; schakel het apparaat uit en neem het snoer zowel uit het contact in de loopband als uit het stopcontact. Pak de framebuis onder aan de achterkant van het loopvlak en til het loopvlak op. **BELANGRIJK!** Let op dat het frame opgeklapt niet op de gasveer rust en denk er aan om de trainer te vergrendelen. De J3F verplaatst u als volgt: controleer voor transport of het snoer uit de looptrainer en uit het stopcontact genomen is. Til de trainer op en vergrendel de loopband. Ga achter de loopband staan en trek de looptrainer voorzichtig naar u toe, zodat deze op de transportwielen rust. Laat de trainer na het verplaatsen voorzichtig zakken, waarbij u de voet opnieuw op het transportwiel plaatst.

**BELANGRIJK!** Extra voorzichtigheid is geboden bij het verplaatsen van de looptrainer over een oneffen vloer of over een drempel. Ook mag de looptrainer beslist nooit op de wielen over een trap gereden worden, in dit geval moet de looptrainer worden opgetild.

**BELANGRIJK!** Het kan zijn dat de loopmat opnieuw gecentreerd moet worden nadat deze verplaatst is.

Berg de trainer op in een droge ruimte met een redelijk constante temperatuur en dek de trainer af tegen stof. Haal na gebruik altijd de stekker uit het stopcontact.

## TECHNISCHE GEGEVENEN

**LENGTE** 160 cm (Opgeklapte stand 64 cm)

**HOOGTE** 137 cm (Opgeklapte stand 155 cm)

**BREEDTE** 76 cm

**GEWICHT** 68 kg

**LENGTE LOOPVLAK** 128 cm

**BREEDTE LOOPVLAK** 40 cm

**SNELHEID** 1,0-12 km/u

**HELLINGHOEK**

2° = 3.5%, 3.5° = 6.1%, 5° = 8.7%

**MOTOR** 1,5 pk

Alle Tunturi modellen voldoen aan de eisen van EUs EMC. Directiven betreffende elektromagnetische compatibiliteit (89/336/EEC) en elektrische apparatuur ontworpen voor gebruik binnen bepaalde spanningslimieten (73/23/EEC). Daarom is dit product met de CE label voorzien. De Tunturi J3F looptrainer voldoen aan EN precisie- en veiligheidsnormen (Norm B, EN-957, deel 1 en 6).

In verband met ons beleid van voortdurende productinnovatie, is Tunturi gerechtigd om

specificaties te veranderen zonder daarover nader te berichten.

**BELANGRIJK!** De garantie vervalt bij schade als gevolg van het niet volgen van de instructies in deze gids betreffende het monteren, het instellen en het onderhouden van de apparatuur. Veranderingen of modificaties, welke niet door Tunturi Oy Ltd zijn goedgekeurd, laten de Tunturi Oy Ltd product aansprakelijkheid geheel vervallen.

**Wij wensen u veel plezierige trainingen met uw nieuwe Tunturi trainingspartner!**

## BRUKSANVISNING J3F

### ANMÄRKNINGAR OCH

### VARNINGAR

Denna handbok är en väsentlig del av ditt träningsredskap. Börja bekanta dig med redskapet genom att först läsa igenom den här handboken. Den innehåller den information du behöver för att kunna montera, använda och underhålla ditt nya redskap. Spara denna handbok, för du kan behöva instruktionerna senare. Följ alltid dessa instruktioner noggrant.

- Löpbandet får endast anslutas till jordat uttag. Använd inga skarvsladdar när löpbandet ansluts till nätet. Den maximala strömförbrukningen är 10 A. Variationer i nätspänningen på mer än 5 % kan leda till felfunktioner och skada elektroniken. Garantin upphör att gälla om redskapet ansluts i strid med instruktionerna i denna bruksanvisning.
- Redskapets nätkabel är försedd med jordad kontakt och stickdosa. Eventuella ändringar får endast utföras av person, som har kvalifikation att serva elmekaniska redskap enligt de bestämmelser som gäller i respektive land.
- Konsultera din läkare för att kolla upp din hälsa innan du börjar träna.
- Om du känner dig illamående, får svindel eller andra onormala symptom, avsluta träningen omedelbart och sök upp en läkare.
- Utför endast de service- och justeringsåtgärder, som nämns i denna bruksanvisning. Givna anvisningar bör följas. Försäkra dig alltid om att stickproppen är urdragen innan du börjar montera eller göra underhåll på redskapet.
- Redskapet får inte användas av personer som väger mer än 110 kg.
- Redskapet får användas endast hemma. 12 månaders garanti gäller enbart fel eller brister som uppkommer vid användning i hemmet.

### Välkommen till Tunturis träningsvärld!

Ditt val visar att du verkligen vill investera i din kondition och ditt välbefinnande; det visar också att du verkligen värdesätter hög kvalitet och stil. Med ett träningsredskap från Tunturi har du valt en säker och motiverande produkt av hög kvalitet till träningspartner. Oberoende av vilken målsättning du har, är vi säkra på att det här är den rätta utrustningen för att du skall nå ditt mål.

### MONTERING

Börja med att packa upp och kolla att du har följande delar:

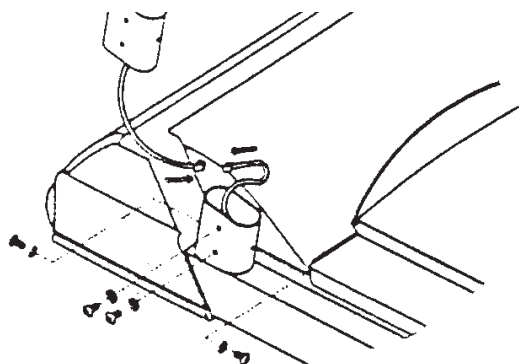
1. Ram
2. Handstöd (2 st.)
3. Tvärbalk
4. Mätare
5. Elsladd
6. Monteringsstillbehör (innehållet med \* i reservdelstilan)

Vid problem, kontakta försäljaren. I förpackningen finns det även en silikatpåse som absorberar fukt under lagring och transport. Släng påsen när du packat upp redskapet. Riktningarna vänster, höger, fram och bak används så som man uppfattar dem när man sitter i träningsställning. Montera ihop ditt träningsredskap enligt följande:

**OBS!** Lyft upp och lås löpunderlaget i övre position innan du lyfter apparaten ur förpackningen.

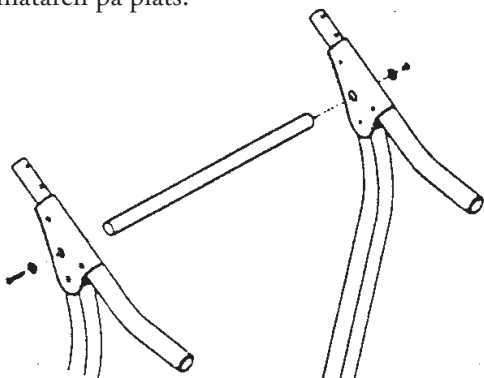
### HANDSTÖD

Koppla ihop kablarna från det vänstra handstödet och ramen. Fäst vardera handstödet med fyra brickor och skruvar. **OBS!** Dra åt skruvarna ordentligt, men först efter att du har monterat tvärbalken och satt mätaren på plats.



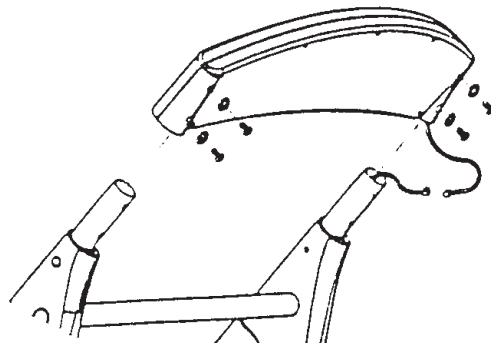
### TVÄRBALK

Fäst tvärbalken i handstödet så att ändan med mindre skyddsplast kommer på högra sidan. Sätt först den ändan på plats och därefter den som kommer till vänster. Skruva fast tvärbalkens vänstra ända med en bricka och en lång fästskruv, därefter den högra med en bricka och en kort skruv. **OBS!** Dra åt skruvarna ordentligt först sedan du har satt mätaren på plats.



### MÄTAREN

Koppla ihop ledningen i det vänstra handstödet med ledningen till mätaren och sätt mätaren på plats i den övre ändan av handstödet. Dra åt mätaren med fyra brickor och skruvar. Dra därefter åt de övriga fästskruvarna till handstödet. Dra loss skyddsfilm från skärmen.



### ELKABEL

Anslut nätkabelns kontakt till stickdosan som finns bredvid strömbrytaren i löpbandets framända. Kontrollera att nätspänningen överensstämmer med den spänning som finns angiven på löpbandets typplatta innan bandet ansluts till elnätet. Koppla på strömmen till löpmattan med strömbrytaren bredvid stickkontakten. **OBS!** Redskapet bör kopplas till ett jordat vägguttag. Använd inga skarvsladdar när du kopplar redskapet till nätet.

### SÄKERHETSNYCKEL

Löpbandet och mätaren fungerar bara om säkerhetsnyckeln sitter i låset; bandet stannar automatiskt om nyckeln inte är på sin plats i låset. Se till att säkerhetsnyckeln är ordentligt i sin plats i fästet i vänstra kanten samt fäst vid kläderna; när bandet spänns får hållaren aldrig lossna från kläderna, utan säkerhetsnyckeln ska dras ur låset.

## TRÄNING

### ANGÅENDE DIN HÄLSA

- För att undvika muskelsmärk, börja och avsluta varje träningspass med stretching.

### ANGÅENDE TRÄNINGSMILJÖN

- Redskapet får inte användas utomhus.
- Placera redskapet på ett stadigt, plant underlag. Placera redskapet på ett så jämnt underlag som möjligt och så att du har ett fritt utrymme på minst 60 cm framför och på sidorna av och minst 120 cm bakom redskapet.
- Vi rekommenderar att redskapet placeras på ett underlag som skyddar golvet.
- Försäkra dig om att träningsutrymmet har god ventilation. Undvik dock att träna i dragiga utrymmen, eftersom det kan ge dig en förkylning.

## ANGÅENDE TRÄNINGEN

- Koppla alltid av strömmen efter varje träningspass.
- Föräldrar och andra med ansvar för barn bör beakta att barns naturliga nyfikenhet och lekfullhet kan leda till situationer och handlingar som redskapet inte är tänkt för. Om barn tillåts använda träningsredskapet bör de övervakas och läras hur man använder det. Man bör då beakta barnens psykiska och fysiska utveckling och deras personlighet.
- Redskapet får användas av endast en person åt gången.
- Håll händerna tillräckligt långt från rörliga delar.
- Använd lämpliga kläder och skor när du tränar.
- Innan du börjar använda redskapet, försäkra dig om att det på alla sätt fungerar som det skall. Använd inte redskapet om det har något fel.
- Använd inte redskapet innan alla kåpor och skydd är på plats.

## LUTNINGSVINKELN

Löpbandet har tre olika lutningsnivåer ( $2^\circ = 3,5\%$ ,  $3,5^\circ = 6,1\%$ ,  $5^\circ = 8,7\%$ ). Lyft upp löpunderlaget, drag ut knappen på ramens högra sida och inställ önskad lutningsvinkeln. Se till att knappen är i låst läge.

## BÖRJA TRÄNINGSPASS

- Värm upp före träningspasset och avsluta med avslappningsövningar och stretching för att undvika träningsvärk.
- Stå grenstående på löpbandets sidoplåtar. Stå inte på själva bandet när du startar redskapet.
- Fatta alltid tag i handstödet när du stiger på eller av löpbandet och alltid när du ändrar bandets hastighet mitt under pågående träning. Hoppa aldrig av ett roterande löpband!
- Om du känner dig illamående, får svindel eller uppvisar andra onormala symtom under träningen, skall du omedelbart avbryta träningen och vända dig till din läkare.

## AVSLUTA TRÄNINGSPASS

- Tag alltid bort säkerhetsnyckeln när du avslutar din träning.
- Koppla bort strömmen med strömbrytaren i löpbandets framända.
- Drag ut nätkabeln ur vägguttaget och stickdosan i löpbandet.
- Torka vid behov bort svett med en fuktig duk. Använd inga lösningsmedel!
- Förvara kabeln på ett säkert ställe utom räckhåll för barn.

## HUR MOTIVERAR MAN SIG

### TILL ATT FORTSÄTTA?

Det är lätt att börja träna och ännu lättare att sluta! För att uppnå de mål du satt upp, behöver du hela tiden motivera dig till att fortsätta. På så sätt når du också det slutliga målet: livslång hälsa och en ny livskvalitet. Så kom ihåg:

- Sätt upp realistiska mål.
- Gå framåt steg för steg enligt din tidsplan.
- För en konditionsdagbok och skriv ner dina framsteg, t.ex. vikt, puls, sträckor, tid och hur du känner dig överlag.
- Ändra sätt att träna emellanåt.
- Använd fantasin.
- Lär dig självdisciplin.

En viktig sida av träningen är mångsidighet. Genom att variera din träning låter du olika muskelgrupper arbeta, vilket hjälper dig hålla motivationen uppe.

Oberoende av vilken din målsättning är når du bästa resultat genom att träna på rätt ansträngningsnivå och det bästa måttet på det är din puls. Ta först reda på din maximipuls, dvs. på vilken nivå pulsen inte längre stiger trots att ansträngningen höjs. Om du inte känner till din maximipuls, kan du använda följande formler som riktgivare:

### KVINNOR: 226 - åldern, MÄN: 220 - åldern

Dessa baserar sig på genomsnittet, men maximipulsen varierar från person till person. Maximipulsen går i medeltal ner med en enhet per år. Om du hör till någon av de riskgrupper som nämndes ovan, be en läkare mäta din maximipuls åt dig. Vi har definerat tre olika pulsområden för att hjälpa dig när du sätter upp mål för träningen.

### NYBÖRJARE: 50-60 % av maximipulsen

Denna nivå lämpar sig också för viktvaktare, rehabiliteringspatienter och personer som inte har tränat på länge. Tre träningspass i veckan på minst en halvtimme var rekommenderas. Regelbunden träning förbättrar andnings- och cirkulationskapaciteten hos nybörjare betydligt och du kommer snabbt att märka förbättringen.

### MOTIONÄR: 60-70 % av maximipulsen

Denna nivå är perfekt för att förbättra och upprätthålla konditionen. Även en måttlig ansträngning utvecklar hjärtat och lungorna effektivt, om du tränar i minst 30 minuter åtminstone tre gånger i veckan. För att ytterligare förbättra din kondition, höj antingen träningsfrekvensen eller ansträngningen, men inte båda på samma gång!

### AKTIV IDROTTARE: 70-80 % av maximipulsen

Träning på denna nivå lämpar sig bara för personer med mycket bra kondition och bör föregås av träning för lång uthållighet.

## TANGENTER

**STOP** När du trycker på STOP stannar löpbandet.  
**HASTIGHETSTANGENTER** Nedanför bildskärmen hittar du tangenter för reglering av hastigheten (Hare/Sköldpadda) för stegvis höjning av hastigheten med 0,1 km/h intervaller (Hare) och minskning (Sköldpadda). Om du håller tangenten intryckt börjar värdena ändras snabbare. Hastigheten på löpmattan kan justeras över intervallet 1,0 - 12 km/h.

**SELECT** Innan du sätter igång kan du välja ett färdigt program genom att trycka på SELECT (P1 - lätt gång, P2 - viktkontroll, P3 - muskelträning). När du redan har startat träningen (tryckt på den gröna START), kan du välja vilket värde som visas i den mellersta displayen med SELECT-tangenten (sträcka/energiförbrukning).

**START** Sätt igång löpbandet genom att trycka på START.

## VISNING PÅ SKÄRMEN

**TIME** (träningstid) Träningstiden visas med en sekunds noggrannhet upp till en timme (00:00-59:59), därefter med en minuts noggrannhet (1:00- 99:59).

**DISTANCE** (sträcka) Den sträcka du har tillryggalagt i kilometer (0-19,9 km) i steg om 0,1 km.

**CALORIES** (energi) Uppskattad energiförbrukning (0-999 kcal) i steg om 1 kcal.

**SPEED** (hastighet) Löpbandets hastighet i kilometer per timme (1-12 km/h) i steg om 0,1 km/h.

## TRÄNING UTAN FÄRDIGT PROGRAM

När apparaten är påslagen och säkerhetsnyckeln är på plats står mätardisplayerna på noll. Tryck på Haren önskad hastighet kommer upp på skärmen; lägsta utgångshastighet är 1 km/h. Tryck därefter på den gröna START: efter 3 sekunder startar mattan. Under träningen kan du reglera bandets hastighet genom att trycka på Haren eller Sköldpaddan.

Du kan också börja träna genom att direkt trycka på den gröna START. Då startar mattan med en hastighet på 1,0 km/h. Efter det kan du reglera hastigheten med hjälp av tangenterna.

## TRÄNING MED ETT FÄRDIGT PROGRAM

När apparaten är påslagen och säkerhetsnyckeln är på plats, kan du välja ett av tre färdiga program med hjälp av tangenten VÄLJ:

- P1** - lätt gång
- P2** - viktkontroll
- P3** - muskelträning

Tryck på den gröna START sedan du valt: efter 3 sekunder startar mattan. Varje träningspass är 30 minuter långt; under träningen kan du ändra hastigheten på bandet med Haren och

Sköldpaddan, men justeringen gäller alltid bara för det segment i programmet där du befinner dig.

## SERVICE

Kolla en gång om året att alla skruvar och muttrar är åtdragna.

## SMÖRJNING

Smörjningen är den allra viktigaste av löpbandets serviceåtgärder. Smörjning är absolut nödvändigt alltid när du märker att löpbandets friktion tydligt ökat eller motorn upphettats; ökad friktion visar sig i form av knyckiga rörelser. Otillräcklig smörjning leder till förslitningar och skador på löpbandet, bottenskivan och motorn. I normal användning (30 minuters träning 3 gånger i veckan) behöver du smörja med T-Lube med 4-6 månaders mellanrum. Kontrollera att du smort tillräckligt genom att känna på plattan under bandet med handen när bandet står stilla; om underlaget är fuktigt, behöver du inte smörja. Om plattan är helt torr eller nästan torr, behöver löpmattan mera smörjmedel. Gör så här:

1. Stanna bandet.
2. Fäst röret för smörjmedlet i spetsen på smörjmedelstuben.
3. Lyft upp kanten på mattan.
4. För in röret för smörjmedlet mellan mattan och underlaget ungefär 20 cm från apparatens framkant.
5. Spruta smörjmedel på underlaget i hela dess längd. Försök få smörjmedlet så nära mitten på löpunderlaget som möjligt.
6. Löpbandet är nu klara att använda.

**OBS!** Använd enbart Tunturis smörjmedel T-Lube till din löpmatta. T-Lube erhåller du hos din Tunturi-handlare.

## RENGÖRING AV LÖPBAND

Torka av handstöden och mätaren med en fuktig duk. Använd inga lösningsmedel! Dammsug regelbundet de synliga delarna av löpbandets ram (bl.a. bandet, bottenskivan, sidoplåtarna) med ett litet munstycke. För rengöring av löpbandets undersida lyfts bandet upp i förvaringsposition.

## CENTRERING AV LÖPBAND

Kontrollera bandets funktion under ditt träningspass och utför de nedan beskrivna inställningsåtgärderna omedelbart när du märker att det behövs. Bandet skall ligga mitt på valsarna. Någon centrering behövs vanligtvis inte, om

- löpbandet placerats på ett plant underlag och har den rätta spänningen
- bandet är riktigt centrerat På grund av olika löpstilar (t ex ojämn viktfördelning) kan bandet dock småningom förskjutas mot endera sidan.

Om löpbandets kant sticker ut under någondera av

sidprofi lerna, måste bandet centreras på nytt.

1. Ställ in hastigheten på 5 km/h.
2. Om löpbandet drar åt vänster, vrid den vänstra justeringsbulten i den bakre kanten av löpbandet  $\frac{1}{4}$  varv medsols och den högra justeringsbulten  $\frac{1}{4}$  varv motsols. Redan  $\frac{1}{4}$  varv påverkar bandets riktning. Därför skall justeringsbultarna vridas litet åt gången. Om löpbandet drar åt höger, vrid den högra justeringsbulten  $\frac{1}{4}$  varv medsols och den vänstra justeringsbulten  $\frac{1}{4}$  varv motsols.
3. Om löpbandet hålls i mitten är inställningen riktig, men om bandet alltså dras åt sidan skall åtgärden upprepas tills bandet löper rakt. Om bandet får löpa snett under en längre tid, så att endera sidan skavar mot redskapets kant, kan driftstörningar förekomma. Garantin täcker inga fel eller skador som beror på att bandet inte centerats.

### JUSTERING AV LÖPBANDETS SPÄNNING

Löpbandet måste spännas, om det börjar slira vid normal drift. Spänningen skall dock vara så liten som möjligt! Spänningen justeras med hjälp av samma bultar som vid centreringen.

1. Ställ in hastigheten på 5 km/h.
2. Vrid båda justeringsbultarna medsols lika mycket, ca  $\frac{1}{4}$  varv.
3. Försök få bandet att gå långsammare genom att bromsa med fötterna (som i en utförbacke).

Om bandet fortfarande slirar, vrid ytterligare  $\frac{1}{4}$  varv och upprepa försöket. Mycket kraftig bromsning får bandet att slira. Om mattan regelbundet börjar slira trots justeringar, kontakta din försäljare.

### STÖRNINGAR VID ANVÄNDNING

**OBS!** Trots kontinuerlig kvalitetskontroll kan fel eller funktionsstörningar som beror på någon enskild komponent förekomma. Därför är det onödigt att hela redskapet skickas på reparation, eftersom det för det mesta räcker med att aktuell komponent byts. Kontakta genast din försäljare om du upptäcker fel eller brister när du använder ditt redskap eller om du behöver reservdelar. Uppge alltid redskapets modell och serienummer. Beskriv problemet, hur redskapet använts, och uppge inköpsdagen. Behöver du reservdelar, uppge också numret på reservdelar; du hittar en lista på reservdelar i slutet på den här handboken.

Om din löpmatta fungerar på ett sätt som avviker från det normala, vrid strömbrytaren till OFF och vänta i en minut. Koppla därefter på mattan igen och kontrollera om felet är avhjälpt. Om felet inte upprepas, kan du använda löpmattan normalt. Om felet inte avhjälps av detta, kontakta din försäljare.

### KODER FÖR FEL

Användargränssnittet meddelar om störningar i olika funktioner genom att visa felkoder med förkortningen Err på skärmen.

**ERR 1:** bandets hastighet motsvarar inte inställt värde Koppla från strömmen till löpmattan, vänta i en minut och koppla på mattan igen. Om felet inte längre upprepas, kan du använda mattan normalt.

Om felet inte avhjälps, kontakta din försäljare.

**ERR 2:** bandets hastighet överstiger säkerhetsgränsen Kontakta din försäljare.

**ERR 3:** säkerhetsnyckeln har lossnat Sätt tillbaka säkerhetsnyckeln på plats och fortsätt träningen.

### SKYDD FÖR HASTIGHETSREGLERINGEN

Om bandets hastighet avviker från inställt värde kommer hastighetsskyddet att bryta strömtillförseln till löpmattan och värdena på mätaren börjar blinka. Vrid strömbrytaren till läget OFF och vänta en minut, så är apparaten klar för användning igen.

## TRANSPORT OCH

## FÖRVARING

Du kan vika ihop J3F löpbandet för att spara utrymme. Stäng av strömbrytaren samt dra ut elsladden ur väggen och löpbandet. Ta tag i ramröret under den bakre delen av löpunderlaget och lyft upp löpunderlaget. Obs! I förvaringsläge måste löpbandet alltid vara låst. För att förflytta J3F, gör så här: Drag ut nätkabeln ur vägguttaget och stickdosan i löpbandet före förflyttningen. Lyft upp löpunderlaget och lås det. Stå bakom löpbandet, ta tag i handtagen och flytta löpbandet genom att rulla det. Sänk löpbandet försiktigt ner på golvet.

**OBS!** Förflytt löpbandet ytterst försiktigt över ojämna ställen på golvet, till exempel över tröskel. I trappor får löpbandet aldrig transporteras på trasporthjulen, utan det måste bäras.

**OBS!** Efter förflyttning måste bandet vid behov centreras.

För undvikande av funktionsstörningar skall redskapet förvaras på ett torrt och dammfritt ställe som har en jämn temperatur. Drag ur stickkontakten efter varje användning.

## TEKNISKA DATA

**LÄNGD** 160 cm (förvaringsläge 64 cm)

**HÖJD** 137 cm (förvaringsläge 155 cm)

**BREDD** 76 cm

**VIKT** 68 kg

**LÖPYTA** 40 x 128 cm

**BANDHASTIGHET** 1,0-12 km/h

**LUTNING** 2° = 3,5 %, 3,5° = 6,1 %, 5° = 8,7 %

**MOTOR** 1,5 HK

Alla Tunturimodeller har konstruerats för att uppfylla EU:s EMC-direktiv gällande elektromagnetisk kompatibilitet (89/336/EEC) och elutrustning som utformats för användning inom vissa gränser för spänningen (73/23/EEC). Därför är denna produkt försedd med CE-konformitetsmärkning. J3F uppfyller EN-standarden för precision och säkerhet (klass B, EN-957, delar 1 och 6).

På grund av vår policy för kontinuerlig produktutveckling förbehåller vi, Tunturi, oss rätten till ändringar.

**OBS!** Instruktionerna måste följas noggrant vid montering, användning och underhåll av redskapet. Garantin gäller inte skador som uppkommit pga. underlåtande att iaktta de instruktioner för montering, justering och underhåll som beskrivits här. Redskapet som modifieras eller förändras på ett sätt som inte är godkänt av Tunturi Oy Ltd får inte användas.

**Vi önskar dig mycket nöje i träningen med din nya träningspartner från Tunturi.**

## KÄYTTÖOHJE J3F

### HUOMAUTUKSET JA

### VAROITUKSET

Tämä opas on olennainen osa kuntolaitettasi. Perehdy ohjeisiin huolellisesti ennen kuin asennat, käytät tai huollat kuntolaitettasi. Sinun tulee ehdottomasti säilyttää tämä opas, sillä jatkossa se opastaa Sinua niin kuntolaitteesi tehokkaaseen käyttöön kuin huoltoonkin. Muista aina noudattaa tämän oppaan ohjeita.

- Laitteen saa kytkeä vain maadoitettuun pistorasiaan. Älä käytä jatkojohtoja juoksumaton kytkennässä virtalähteeseen. Laitteen virrankulutus on enintään 10 A. Virtalähteet, joiden jännitevaihtelu on suurempi kuin 5 % voivat johtaa juoksumaton virheelliseen toimintaan tai vahingoittaa juoksumaton elektroniikkaa. Mikäli laite kytketään tässä ohjekirjassa annettujen ohjeiden vastaisesti, laitteen takuu raukeaa.
- Laitteen verkkojohto on varustettu maadoitetuilla liittimellä ja pistokkeella. Muutoksia pistorasiaan tai verkkojohdon pistokkeisiin saa tehdä vain henkilö, jolla on lupa suorittaa sähkömekaanisten laitteiden huolto- ja korjaustöitä.
- Ennen harjoittelun aloittamista käy varmistuttamassa terveydentilasi lääkärillä.
- Jos harjoittelun aikana tunnet pahoinvointia, huimausta tai muita epänormaaleja oireita, keskeytä harjoittelu välittömästi ja ota yhteys lääkäriin.
- Älä yritä tehdä laitteelle muita kuin tässä ohjekirjassa kuvattuja säätöjä tai huoltotoimenpiteitä. Asennus- ja huoltotöitä tehtäessä virran on oltava kytkettynä pois ja verkkopistokkeen on oltava irti pistorasiasta.
- Laitteen ehdoton enimmäiskäyttäjäpaino on 110 kg.
- Laite on sallittu vain kotikäyttöön. Laitteelle myönnetty 12 kuukauden takuu koskee vain kotikäytössä olevaa laitetta.

### Tervetuloa Tunturi-kuntoilijoiden joukkoon.

Valintasi osoittaa, että tahdot todella huolehtia kunnostasi; valintasi osoittaa myös sen, että arvostat korkeaa laatua ja tyylikkyyttä. Tunturi-kuntolaitteen myötä olet valinnut korkealuokkaisen, turvallisen ja motivoivan kuntolaitteen harjoituskumppaniksesi. Olkoon tavoitteesi kuntoilun saralla mikä tahansa, olemme varmoja, että tällä Tunturin kuntolaitteella tulet tavoitteesi saavuttamaan.



## ASENNUS

Aloita tarkistamalla, että pakkaus sisältää seuraavat osat:

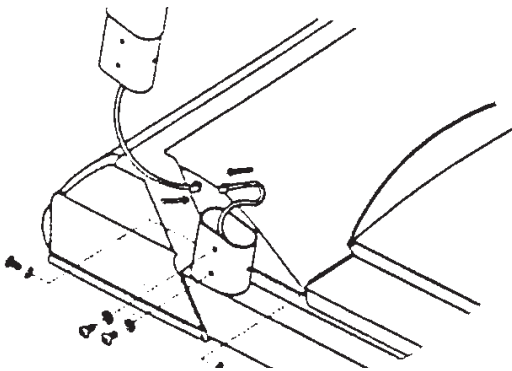
1. Runko
2. Käsituet (2 kpl)
3. Poikittaistuki
4. Mittari
5. Verkkojohto
6. Asennustarvikepussi (sisältö merkitty \*llä varaosaluetteloon)

Ota ongelmatilanteissa yhteys laitteen myyjään. Ohjeessa mainitut suunnat oikea, vasen, etu ja taka on määritelty harjoitusasennosta katsottuna. Kokoa kuntolaitteesi toimintakuntoon seuraavasti:

**TÄRKEÄÄ!** Nosta ja lukitse juoksualusta yläasentoon ennen laitteen nostamista pois pakkauksesta.

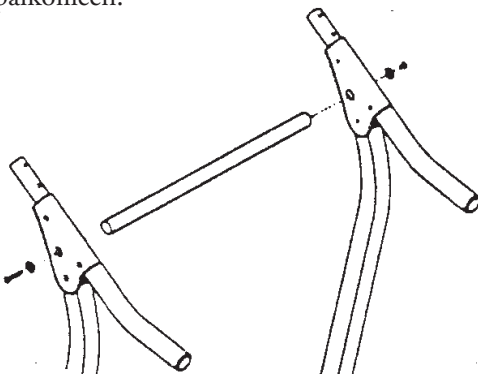
## KÄSITUET

Liitä vasemmasta käsituesta ja rungosta tulevat johdot toisiinsa. Kiinnitä kumpikin käsituki neljällä aluslaatatalla ja ruuvilla. **TÄRKEÄÄ!** Kiristä ruuvit tiukkaan vasta kun olet kiinnittänyt poikittaistuen ja mittarin paikoilleen.



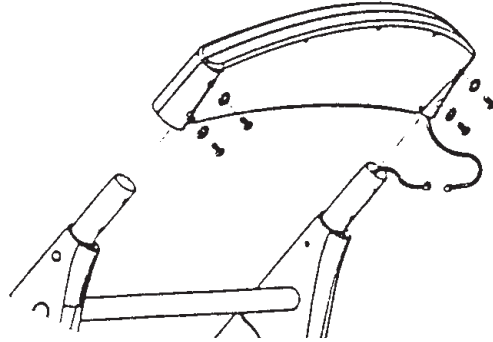
## POIKITTAISTUKI

Aseta poikittaistuki käsitukeen siten, että pidemmältä matkalta suojamuoviton pää tulee oikealle puolelle. Pistä ensin tämä pää paikalleen, sen jälkeen vasen pää. Kiinnitä poikittaistuen vasen pää aluslaatatalla ja pitkällä kiinnitysruuvilla, oikea aluslaatatalla ja lyhyellä ruuvilla. **TÄRKEÄÄ!** Kiristä ruuvit tiukkaan vasta kun olet kiinnittänyt mittarin paikoilleen.



## MITTARI

Liitä vasemmasta käsituesta tuleva johto mittarijohtoon ja paina mittari paikalleen käsitukien yläpäähän. Kiinnitä mittari neljällä aluslaatatalla ja ruuvilla. Kiristä tämän jälkeen muut käsituen kiinnitysruuvit. Poista suojakalvo näytön päältä.



## VERKKOJOHTO

Ennen kuin kytket juoksumaton virtalähteeseen, tarkista jännitteen sopivuus laitteesi tyyppikilvestä. Kytke verkkovirtajohdon pistotulppa juoksumaton vasemmassa sivussa, verkkokytkimen vieressä olevaan pistokkeeseen. Kytke virta laitteeseen virtakytkimestä.

**TÄRKEÄÄ!** Laitteen saa kytkeä vain maadoitettuun pistorasiaan. Älä käytä jatkojohtoja juoksumaton kytkennässä virtalähteeseen.

## TURVA-AVAIN

Juoksumatto ja käyttöliittymä toimivat vain, jos turva-avain on asetettu kunnolla paikalleen; laite pysähtyy välittömästi, kun turva-avain irtoaa. Kiinnitä turva-avaimen naru pidikkeen avulla vaatetukseesi, esim. kaulukseen tai rintapieleen, ja työnnä turva-avain käyttöliittymän vasemmassa reunassa olevaan kiinnikkeeseen. Varmista harjoitellessasi, että turva-avaimen pidike on kiinnitetty vaatetukseesi kunnolla; turva-avaimen narun kiristyessä pidike ei koskaan saa irrota vaatetuksestasi ennen kuin turva-avain on irronnut käyttöliittymästä.

## HARJOITTELU

### HUOMIOITAVAA TERVEYDESTÄSI

- Muista venytellä sekä harjoituksen alussa että lopussa. Venyttelyn avulla saat lihaksesi ja nivelsiteesi joustaviksi, laukaiset mahdolliset jännitystilat ja vältät venähdykset ja kipeytymiset harjoituksen aikana. Tee liikkeet rauhallisesti, pitkään ja nykimättä.

### HUOMIOITAVAA HARJOITTELUPAIKASTA

- Laitetta saa käyttää vain sisätiloissa.
- Sijoita juoksumatto kovalle, tasaiselle ja suojatulle alustalle. Valitse laitteen sijoituspaikka

siten, että laitteen eteen ja sivuille jää vähintään 60 cm ja taakse 120 cm vapaata tilaa.

- Huolehdi, että harjoitteluympäristö on riittävän hyvin ilmastoitu. Vilustumisen estämiseksi vältä kuitenkin harjoittelua vetoisissa tiloissa.

### HUOMIOITAVAA LAITTEEN KÄYTÖSTÄ

- Irrota verkkopistoke jokaisen käyttökerran jälkeen.
- Mikäli lasten annetaan käyttää laitetta, vanhempien tai muiden vastuullisten tulee ottaa huomioon lasten sekä henkinen että fyysinen kehitys ja ennen kaikkea luonne. Lapsia tulee valvoa ja opastaa juoksumaton oikeassa käytössä.
- Vain yksi henkilö kerrallaan saa harjoitella laitteella.
- Pidä kätesi kaukana liikkuvasta matosta. Pidä laitteen alusta aina tyhjänä äläkä työssä sinne käsiäsi tai jalkojasi tai mitään esineitä.
- Käytä harjoitellessasi sopivaa vaatekappausta ja asianmukaisia jalkineita. Varmista, että kengännauhasi ovat harjoitellessa aina kunnolla solmitut. Käytä vain sisäkäyttöön tarkoitettuja urheilujalkineita.
- Varmista ennen harjoittelun aloittamista, että laite on kaikin puolin kunnossa. Älä koskaan käytä viallista laitetta.
- Älä käytä laitetta mikäli kaikki katteet ja suojukset eivät ole paikoillaan.

### JUOKSUALUSTAN KULMAN SÄÄTÖ

Juoksualustan voi säätää 3 eri kulmaan (2° = 3.5%, 3.5° = 6.1%, 5° = 8.7%). Nosta juoksualustaa ylös, tue alustaa vasemmalla kädelläsi ja säädä kulma oikealla kädellä laitteen takaosassa, oikealla puolella olevasta säädintangosta. Vedä säädintankoa ulospäin ja vapauta se, kun olet valinnut haluamasi kulman. Varmista että säädintanko on lukittunut.

### HARJOITUKSEN ALOITTAMINEN

- Muista venytellä sekä harjoituksen alussa että lopussa. Venyttelyn avulla saat lihaksesi ja nivelsiteesi joustaviksi, laukaiset mahdolliset jännitystilat ja vältät venähdykset ja kipeytymiset harjoituksen aikana. Tee liikkeet rauhallisesti, pitkään ja nykimättä.
- Käynnistä juoksumatto harjoitusta varten aina siten, että seisot hajareisin juoksumaton reunalevyillä.
- Ota tukea käsituesta aina kun nousematolle tai siltä pois ja aina kun vaihdat maton nopeutta kesken juoksun. Älä hyppää liikkuvalla matolta.
- Jos tunnet harjoittelun aikana pahoinvointia, huimausta tai muita epänormaaleja oireita, keskeytä harjoittelu välittömästi ja ota yhteys lääkäriin.

### HARJOITUKSEN PÄÄTTÄMINEN

- Irrota turva-avain käyttöliittymästä.

- Kytke virta pois päältä juoksumaton etureunassa olevasta kytkimestä.
- Irrota verkkojohto sekä virtalähteestä että juoksumatosta.
- Puhdista laite tarvittaessa hiestä hieman kostealla liinalla tai pyyhkeellä; älä käytä liuottimia.
- Säilytä verkkojohto lasten ulottumattomissa ja poissa kulkuväyliltä.

### KANNUSTA ITSEÄSI JATKAMAAN

Jotta saavuttaisit ne tavoitteet, jotka olet itsellesi asettanut, motivoi itseäsi liikkumaan. Muista, että lopullisena päämääränäsi on koko elämän kestävä terveys ja laadukkaampi elämä!

- Aseta itsellesi realistiset tavoitteet.
- Etene askel kerrallaan aikataulusi mukaan.
- Pidä kuntopäiväkirjaa, johon kirjaat edistymisesi.
- Vaihtele harjoittelutapaasi aika ajoin.
- Käytä mielikuvitustasi.
- Opettele itsekuria.

Tärkeää kuntoilussa on myös sen monipuolisuus. Harrastamalla eri liikuntalajeja elimistön eri lihasryhmät saavat tarvittavaa liikuntaa ja harjoittelun mielekkäisyys säilyy.

Olipa tavoitteesi harjoittelussa mikä hyvänsä, parhaaseen tulokseen pääset harjoittelemalla oikealla rasiustasolla. Paras rasiustason mittari on oman sydämen syketaajuus. Lähde liikkeelle selvittämällä ensin maksimisykearvosasi eli se lyöntimäärä, josta sykkeesi ei enää nouse, vaikka rasius lisääntyisikin. Jos et tiedä omaa maksimisykearvosasi, voit käyttää seuraavaa kaavaa suuntaa antavana:

#### NAISET: 226 - ikä, MIEHET: 220 - ikä

Nämä ovat keskimääräisiä arvoja, sillä maksimisyke voi vaihdella yksilöllisesti runsaastikin. Maksimisyke putoaa keskimäärin yhden sykkeen vuodessa. Varsinkin siinä tapauksessa, että kuulut johonkin riskiryhmään, kannattaa sinun ehdottomasti varmistaa maksimisykkeesi lääkärin avustuksella.

Olemme määritelleet kolme eri sykealuetta, joista löydät tavoitteitasi parhaiten vastaavat harjoittelualueet.

#### ALOITTELIJAN TASO:

##### 50 - 60 % maksimisykkeestä

Tämä taso on sopiva laihduttajille, toipilaille ja niille, jotka eivät ole harrastaneet liikuntaa aikaisemmin tai pitkään aikaan. Suositeltava harjoitusmäärä on kolme kertaa viikossa vähintään puoli tuntia kerrallaan.

#### KUNTOILIJAN TASO:

##### 60 - 70 % maksimisykkeestä

Tämä taso sopii erinomaisesti kunnan kohottamiseen ja ylläpitämiseen. Harjoituksen tulisi kestää kerrallaan vähintään puoli tuntia

ja harjoituskertoja tulisi olla vähintään kolme viikossa. Mikäli haluat kohottaa kuntoasi edelleen, sinun on lisättävä joko harjoituskertoja tai harjoitustehoa (ei kuitenkaan molempia yhtäaikaan).

#### AKTIIVIKUNTOILIJAN TASO:

##### 70 - 80 % maksimisykkeestä

Harjoittelu tällä tasolla soveltuu vain erittäin hyväkuntoisille ja edellyttää jo pitkään jatkunutta kuntoilua.

#### TOIMINTONÄPPÄIMET

**STOP** Painamalla STOP-näppäintä matto pysähtyy.  
**NOPEUDENSÄÄTÖNÄPPÄIMET** Painamalla jänis-näppäintä lisäät maton nopeutta 0,1 km/h portain, painamalla kilpikonnanäppäintä puolestaan vähennät maton nopeutta 0,1 km/h portain. Pidempi painallus nopeuttaa muutosta. Nopeuden vaihteluväli on 1-12 km/h.

**SELECT** Ennen harjoituksen aloittamista voit valita SELECT-näppäimellä haluamasi valmisohjelman (P1 - kevyt kävely, P2 - painonhallinta, P3 - voimaharjoitus). Mikäli olet jo aloittanut harjoituksen (painanut vihreää START-näppäintä), SELECT-näppäimellä voit valita keskimmäisen näytön arvon (matka / energiankulutus).

**START** Painamalla START-näppäintä käynnistät juoksumaton.

#### NÄYTÖT

**TIME** harjoitus aika (näyttö sekunnin tarkkuudella 00:00 - 59:59, tämän jälkeen minuutin tarkkuudella 1:00-99:59).

**DISTANCE** Karttunut matka kilometreinä (0-19,9 km) 0.1 km:n portain.

**CALORIES** Arvioitu energiankulutus (0-999 kcal) 1 kcal:n portain.

**SPEED** Maton nopeus kilometreinä (1-12 km/h) 0.1 km/h:n portain.

#### HARJOITTELU ILMAN VALMISOHJELMAA

Kun laitteeseen on kytketty virta ja turva-avain on paikallaan, mittarinäytöt ovat nollassa. Paina Jänis-näppäintä kunnes näytössä on haluamasi nopeus; alin lähtönopeus on 1 km/h. Paina seuraavaksi vihreää START-näppäintä: 3 sekunnin kuluttua matto lähtee liikkeelle. Harjoittelun aikana voit säätää maton nopeutta jänis / kilpikonnanäppäinten avulla.

Voit aloittaa harjoituksen myös painamalla suoraan vihreää START-näppäintä. Tällöin matto lähtee liikkeelle 1.0 km/h nopeudella. Tämän jälkeen voit säätää nopeutta nopeudensäätonäppäinten avulla.

#### HARJOITTELU

##### VALMISOHJELMAN KANSSA

Kun laitteeseen on kytketty virta ja turva-avain on paikallaan, valitse haluamasi valmisohjelma

kolmesta vaihtoehdosta SELECT-näppäimellä:

- P1** - kevyt kävely
- P2** - painonhallinta
- P3** - voimaharjoitus

Valinnan jälkeen paina vihreää START-näppäintä: 3 sekunnin kuluttua matto lähtee liikkeelle. Jokainen harjoitus muodostuu 30 minuutin pituisesta jaksosta; harjoituksen aikana voit muuttaa maton nopeutta jänis/kilpikonnanäppäimillä, mutta muutos koskee aina vain sitä minuutin pituista jaksoa, jonka aikana muutos tehtiin.

#### HUOLTO

Tarkista kerran vuodessa kaikkien kiinnitysruuvien ja muttereiden kireys.

#### HUOLTOVOITELU

Huoltovoitelu on juoksumaton huoltotoimenpiteistä ehdottomasti tärkein. Huoltovoitelu on välttämätön aina, kun huomaat maton liikkuvan nykivästi tai moottorin kuumenevan. Lisävoitelun tarve on pitkälti riippuvainen käyttäjän painosta sekä juoksutyylillä: suuri käyttäjäpaino sekä maton hiljainen käyttönopeus ovat tekijöitä, jotka rasittavat laitetta eniten ja vaativat siksi erityistä huomiota huoltovoiteluun. Normaalissa käytössä (30 minuutin harjoitusjakso 3 kertaa viikossa) huoltovoitelu T-Lubella on tarpeen 4 -6 kuukauden välein. Tarkista voitelun riittävyys kokeilemalla kädelläsi aluslevyä pysäytetyn maton alta; mikäli aluslevy on kostea, voitelutarvetta ei ole. Mikäli levy on lähes tai täysin kuiva, lisää välittömästi voiteluainetta seuraavan ohjeen mukaisesti:

1. Pysäytä matto.
2. Kiinnitä voiteluputki voiteluainepurkin nokkaan.
3. Nosta maton reunaa ylös.
4. Työnnä voiteluputki maton ja aluslevyn väliin noin 20 cm:n etäisyydelle laitteen etupäästä.
5. Suihkuta voiteluainetta koko aluslevyn pituudelle. Yritä saada voiteluainetta mahdollisimman keskelle juoksualustaa.
6. Juoksumatto on heti käyttövalmis.

**TÄRKEÄÄ!** Käytä pohjalevyn voiteluun vain Tunturin T-Lube voiteluainetta. T-Lube voiteluainetta on saatavana laitteesi myyjältä.

#### JUOKSUMATON PUHDISTUS

Puhdista käsitet ja käyttöliittymä pölystä ja liasta säännöllisesti hieman kostealla kankaalla. Älä käytä liuottimia. Puhdista juoksumaton rungon näkyvät osat (mm. matto, pohjalevy, reunalevyt) pienisuuttimisella imurilla säännöllisesti. Laitteen pohjapuolen puhdistusta varten nosta juoksumatto säilytysasentoon.

## MATON KESKITTÄMINEN

Tarkkaile maton kulkua harjoittelusi aikana ja suorita alla esitetyt säätötoimet välittömästi, kun huomaat niihin tarvetta. Maton tulee kulkea laitteen keskellä. Keskittämistä ei yleensä tarvita, mikäli

- juoksumatto on tasaisella ja kovalla alustalla ja maton kireys on oikea ja
- matto on oikein keskitetty.

Esimerkiksi harjoittelijan epätasaisesta painonjakaumasta johtuen matto saattaa kuitenkin lähteä siirtymään kohti laitteen toista reunaa.

1. Säädä nopeudeksi 5 km/h.
2. Jos matto siirtyy kohti laitteen vasenta reunaa, käännä juoksumaton takareunassa olevaa vasemmanpuoleista säätöruuvia  $\frac{1}{4}$  kierrosta myötäpäivään ja oikeanpuoleista säätöruuvia  $\frac{1}{4}$  kierrosta vastapäivään. Jos matto siirtyy kohti laitteen oikeaa reunaa, käännä oikeanpuoleista säätöruuvia  $\frac{1}{4}$  kierrosta myötäpäivään ja vasemmanpuoleista säätöruuvia  $\frac{1}{4}$  kierrosta vastapäivään.
3. Säätö on riittävä, mikäli matto pysyy keskellä, mutta jos matto jatkaa edelleen kulkemistaan kohti laitteen toista reunaa, jatka asteittaista säätämistä kunnes matto kulkee suoraan. Mikäli maton annetaan kulkea pidemmän ajan vinossa siten, että jompikumpi maton reuna hankaa laitteen sivuja vasten, laitteen käytössä saattaa ilmetä häiriöitä. Laitteen takuu ei korvaa maton keskittämisen laiminlyömisestä johtuvia vikoja tai vaurioita.

## MATON KIREYDEN SÄÄTÖ

Maton tulee olla niin löysällä kuin mahdollista. Mattoa pitää kuitenkin kiristää, jos se normaalikäytössä alkaa luistaa telan päällä. Kireyden säätö suoritetaan samoilla säätöruuveilla kuin keskittäminen. Mikäli matto ei kiristy säätöruuveista, ota yhteys laitteen myyjään.

1. Säädä nopeudeksi 5 km/h.
2. Kierrä molempia säätöruuveja myötäpäivään  $\frac{1}{4}$  kierrosta.
3. Yritä hidastaa maton kulkua kävelemällä jarruttaen, ikään kuin kulkisit alamäkeen.

Mikäli matto luistaa edelleen, kierrä vielä  $\frac{1}{4}$  kierrosta ja toista kokeilu. Hyvin voimakkaasti jarrutettaessa matto saa luistaa. Mikäli matto luistaa jatkuvasti säädöistä huolimatta, ota yhteys laitteen myyjään.

## KÄYTTÖHÄIRIÖT

**TÄRKEÄÄ!** Jatkuvasta laaduntarkkailusta huolimatta laitteessa saattaa esiintyä yksittäisistä komponenteista johtuvia yksilövikoja tai toimintahäiriöitä. Koko laitteen toimittaminen korjattavaksi on yleensä tarpeetonta, sillä vika on useimmiten korjattavissa ko. osan vaihdolla. Mikäli laitteen toiminnassa ilmenee häiriöitä käytön

aikana, ota välittömästi yhteys laitteen myyjään. Ilmoita laitteesi malli ja sarjanumero. Ilmoita lisäksi häiriön luonne, mahdollinen vikakoodi (esim. Err 2), laitteen käyttöympäristö sekä ostopäivämäärä.

Mikäli juoksumatossasi ilmenee normaalista poikkeavia toimintoja, käännä virtakytkin asentoon OFF ja odota minuutin verran. Käynnistä tämän jälkeen matto ja totea onko virhetoiminta poistunut. Mikäli virhetoimintoa ei enää esiinny, laitetta voi käyttää normaalisti. Mikäli virhetoiminto ei ole poistunut, ota yhteys laitteen myyjään.

Mikäli tarvitset laitteeseesi varaosia, ilmoita aina laitteen malli, sarjanumero sekä tarvittavan osan varaosanumero. Varaosaluettelon löydät tämän oppaan lopusta. Laitteessa saa käyttää vain varaosalistassa mainittuja osia.

## VIKAKOODIT

Käyttöliittymä antaa tiedon havaitsemastaan toimintahäiriöstä näytölle. Vikakoodin tunnustat näytön lyhenteestä Err.

**ERR 1:** maton nopeus ei vastaa asetettua arvoa. Katkaise virta juoksumatolle, odota minuutti ja käynnistä matto uudestaan. Mikäli virhetoimintoa ei enää esiinny, laitetta voi käyttää normaalisti. Mikäli virhetoiminto ei ole poistunut, ota yhteys laitteen myyjään.

**ERR 2:** maton nopeus nousee yli turvarajan. Ota yhteys laitteen myyjään.

**ERR 3:** turva-avain irronnut. Kiinnitä turva-avain paikalleen ja jatka harjoitusta.

## NOPEUDENSÄÄTÖSUOJA

Mikäli maton nopeus poikkeaa asetetusta, turvatoimena nopeudensäättösuoja katkaisee virransyötön juoksumatolle ja vilkuttaa mittarin arvoja. Paina virtakatkaisin OFF asentoon, odota minuutti ja laite on jälleen valmis käytettäväksi.

## KULJETUS JA SÄILYTYS

J3F-juoksumaton juoksualustan voi nostaa tilaa säästävään säilytysasentoon seuraavasti: kytke virta pois virtakytkimestä ja irroita verkkojohto sekä virtalähteestä että juoksumatosta. Tartu laitteen takaosaan ja nosta juoksualusta ylös. **TÄRKEÄÄ!** Älä koskaan jätä juoksualustaa säilytysasentoon vain kaasujousen varaan! Siirrä J3F-juoksumattoa seuraavasti: varmista ennen laitteen siirtämistä, että verkkojohto on irrotettu sekä virtalähteestä että juoksumatosta; nosta sitten juoksualusta säilytysasentoon ja lukitse se. Asetu laitteen taakse ja siirrä laite kuljetuspyörien varassa työntäen. Laske juoksumatto maahan varovasti.

**TÄRKEÄÄ!** Siirrä J3F-juoksumattoa erityisellä varovaisuudella lattian epätasaisuuksien, esim. kynnyksen yli. Rapuissa mattoa tulee aina kantaa.

**TÄRKEÄÄ!** Matto on tarvittaessa keskitettävä laitteen siirtämisen jälkeen.

Säilytä laite mahdollisimman kuivassa ja tasalämpöisessä paikassa pölyltä suojattuna. Irrota verkkopistoke jokaisen käyttökerran jälkeen.

## TEKNISET TIEDOT

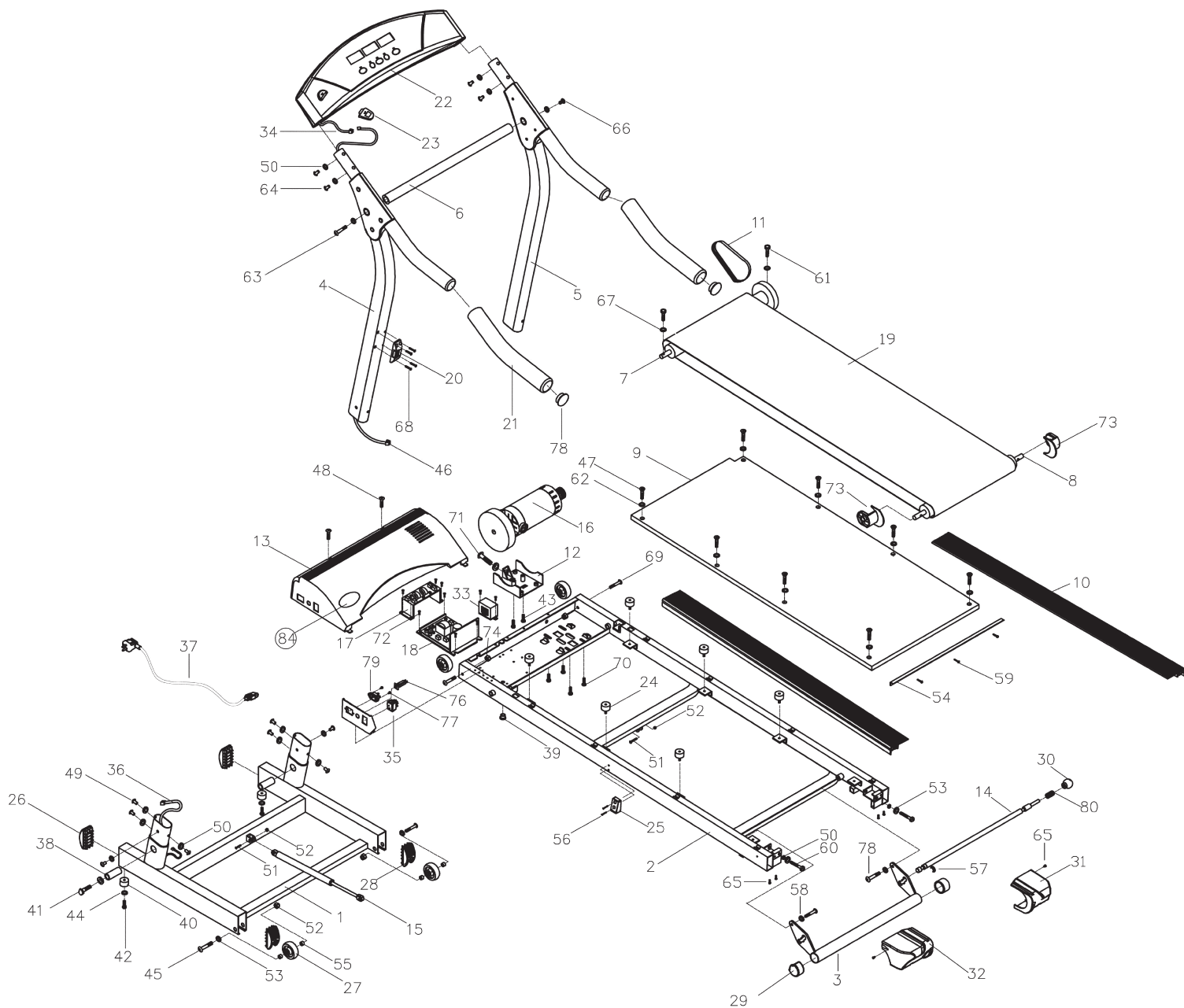
**PITUUS** 160 cm (säilytysasento 64 cm)  
**KORKEUS** 137 cm (säilytysasento 155 cm)  
**LEVEYS** 76 cm  
**PAINO** 68 kg  
**JUOKSUPINTA-ALAN PITUUS** 128 cm  
**JUOKSUPINTA-ALAN LEVEYS** 40 cm  
**NOPEUS** 1,0-12 km/h  
**KALTEVUUDEN SÄÄTÖ**  
2° = 3.5%, 3.5° = 6.1%, 5° = 8.7%  
**MOOTTORI** 1.5 hv (jatkuva teho)

Tunturi-laitteet täyttävät sähkömagneettista yhteensopivuutta koskevan EU:n EMC-direktiivin (89/336/EEC) sekä pienjännitedirektiivin (73/23/EEC) vaatimukset. Tuotteet on varustettu sen mukaisesti CE-merkinnällä. J3F-juoksumatto täyttää CEN-tarkkuus- ja turvanormien vaatimukset (luokka B, EN-957, osat 1 ja 6).

Jatkuvan tuotekehityksen vuoksi oikeudet muutoksiin pidätetään.

**TÄRKEÄÄ!** Tässä ohjekirjassa annettuja tietoja kuntolaitteen asennuksesta, käytöstä ja huollosta tulee noudattaa erittäin huolellisesti. Takuu ei korvaa vahinkoja, jotka ovat aiheutuneet tässä ohjekirjassa mainittujen asennus-, säätö- tai huoltotoimenpiteiden laiminlyönneistä. Mikäli asennus-, säätö- tai huoltotoimenpiteitä tehdään toisin kuin ohjekirjassa mainitaan tai laitteelle tehdään toimenpiteitä, joita Tunturi Oy Ltd ei nimenomaisesti ole hyväksynyt, laitetta ei tule käyttää!

**Toivotamme Sinulle miellyttäviä harjoitushetkiä Tunturi-harjoituskumppanisi kanssa!**



1	103 4039	Front support	1	18	403 4100	Power board	1
2	103 4038	Main frame	1	19	443 4014	Running belt	1
3	103 4040	Lift arm	1	20	373 4007	Locking devise (incl. 25)	1
4	203 4033	Hand rail, L	1	21	213 4013	Handle grip 2	
5	203 4032	Hand rail, R	1	22	233 4022	User interface 1	
6	203 4034	Handlebar	1	23	403 4099	Safety key 1	
7	523 4035	Front roller	1	24	533 4053	Rubber bumper 6	
8	523 4036	Rear roller	1	26	533 4054	Front end cap, pair 1	
9	433 4028	Running deck	1	27	533 4055	Moving wheel 4	
10	433 4029	Side landing	2	28	503 4042	Moving wheel bracket 2	
11	443 4013	Drive belt	1	29	533 4056	Lift arm end cap 2	
12	503 4041	Motor bracket	1	30	533 4057	Incline adjustment knob 1	
13	173 4061	Motor cover	1	31	173 4062	Right rear end cap 1	
14	343 4012	Elevation shaft	1	32	173 4063	Left rear end cap 1	
15	153 4006	Gas spring	1	33	813 4023	Choke 1	
16	813 4022	DC motor	1	34	403 4102	Cable set (incl. 36, 46)	1
17	403 4101	EMI filter	1	35	403 4103	Mains switch	1

37	403 4104	Power cable	1
38	523 4037	Pivot spacer	2
39	533 4060	Cable clip	1
40	533 4058	Front stabilizer rubber foot	2
41		M12x60 Hex bolt	2
42		M4x20 Tapping screw	2
43		M8 Round head Allen key bolt	2
44		M5x12 Washer	2
45		M8x50 Allen head bolt	2
47		M6x20 Machine screw	8
48		M5x10 Machine screw	2
*49		M8x15 Allen head bolt	8
*50		M8 Star washer	14
51		M8x25 Allen head bolt	2
52		M8 Nut nylon lock	4
53		M8x22 Washer	4
54	433 4030	Extension plate	1
55	523 4038	Moving wheel spacer	4
56		M4x8 Machine screw	2
57		Dia 16 E-clip	1
58		Spring washer	2
59		Machine screw	2
60		M8 Allen key adjusting bolt	2
61		M8 Round head Allen key bolt	2
62		M7x12 Washer	8
*63		M8x50 Allen head bolt	1
*64		M8x15 Allen head bolt	4
65		5/32" x 1/2 Screw	11
*66		M8x15 Allen head bolt	1
67		M8x22 Curve washer	2
68		M4x20 Machine screw	4
69		M8x40 Allen head bolt	2
70		M8x20 Hex head bolt	4
71		M8x50 Hex head bolt	1
72		M4x8 Machine screw	4
73	173 4064	Cover, rear roller	2
74		M8 Nylon lock nut	2
76	403 4105	Circuit breaker	1
77		M4x6 Phillips head screw	2
78	533 4059	Handlebar end cap	2
79	403 4016	Mains cable socket	1
80	643 4006	Spring	1
81	403 4106	Sensor cable	1
82	403 4107	Wire harness set (4 wires)	1
84	423 4074	Label set	1
*	553 4017	Assembly kit (incl. *)	1
*		Wrench	1
-	563 4004	T-Lube bottle	1
-	583 4025	Owner's manual	1

<b>P 1</b>		<b>P 2</b>		<b>P 3</b>	
<b>MIN.</b>	<b>KM/H</b>	<b>MIN.</b>	<b>KM/H</b>	<b>MIN.</b>	<b>KM/H</b>
0	2	0	3	0	4
1	2	1	3	1	4
2	2	2	3	2	4
3	3	3	6	3	8
4	3	4	6	4	8
5	3	5	6	5	8
6	4	6	10	6	10
7	4	7	10	7	10
8	4	8	10	8	10
9	5	9	8	9	12
10	5	10	8	10	12
11	5	11	8	11	12
12	6	12	10	12	10
13	6	13	10	13	10
14	6	14	10	14	10
15	6	15	6	15	8
16	6	16	6	16	8
17	6	17	6	17	8
18	5	18	10	18	12
19	5	19	10	19	12
20	5	20	10	20	12
21	4	21	8	21	8
22	4	22	8	22	8
23	4	23	8	23	8
24	3	24	6	24	6
25	3	25	6	25	6
26	3	26	6	26	6
27	2	27	3	27	4
28	2	28	3	28	4
29	2	29	3	29	4



**TUNTURI**<sup>®</sup>  
THE MOTOR – *it's you.*

TUNTURI OY LTD

P.O.BOX 750, FIN-20361  
Turku, Finland  
Tel. +358 (0)2 513 31  
Fax +358 (0)2 513 3323  
www.tunturi.com

5834025A



## Free Manuals Download Website

<http://myh66.com>

<http://usermanuals.us>

<http://www.somanuals.com>

<http://www.4manuals.cc>

<http://www.manual-lib.com>

<http://www.404manual.com>

<http://www.luxmanual.com>

<http://aubethermostatmanual.com>

Golf course search by state

<http://golfingnear.com>

Email search by domain

<http://emailbydomain.com>

Auto manuals search

<http://auto.somanuals.com>

TV manuals search

<http://tv.somanuals.com>