

T90 Rehab

OWNER'S MANUAL	P. 2 - 12
BETRIEBSANLEITUNG	S. 13 - 25
MODE D'EMPLOI	P. 26 - 39
HANDLEIDING	P. 40 - 51
MANUALE D'USO	P. 52 - 64
MANUAL DEL USUARIO	P. 65 - 77
BRUKSANVISNING	S. 78 - 88
KÄYTTÖOHJE	S. 89 - 99

SERIAL NUMBER
SERIENNUMMER
NUMERO DE SERIE
SERIENNUMMER
NUMERO DI SERIE
NÚMERO DE SERIE
SERIENNUMMER
SARJANUMERO



CONTENTS

ASSEMBLY	3
(Extended handrails)	100
BASICS ON EXERCISING	4
HEART RATE	4
METER	5
CHOOSING AN EXERCISE	7
MAINTENANCE	11
MALFUNCTIONS	11
ERROR CODES	12
MOVING AND STORAGE	12
TECHNICAL DATA	12

IMPORTANT SAFETY INSTRUCTIONS

This Owner's Manual is an essential part of your training equipment: reading all instructions in this manual before you start using this appliance. The following precautions must always be followed:

WARNING

- Never use extension cords between the treadmill and your wall outlet. The device's maximum power consumption is 10 A. Outlets with fluctuating voltage of more than 12 % may result in erratic performance or cause damage to treadmill electronics. Using electrical power other than that, which has been specified in this manual will ultimately void any warranty, implied or otherwise.

WARNING

To reduce any risk to persons:

- Keep hands clear of any moving parts. Never place hands, feet or any other objects into any opening or under the treadmill.
- Never leave the treadmill unattended when plugged in. Unplug from outlet when not in use, before putting on or taking off parts. To disconnect, turn all controls to the off position, then remove plug from outlet.
- Close supervision is necessary when the treadmill used by, on, or near

children, invalids, or disabled persons.

- Use the treadmill only for its intended use as described in this manual. Do not use attachments not recommended by Tunturi.
- Before you start using the treadmill, make sure that it functions correctly in every way. Do not use a faulty device.
- Keep the cord away from heated surfaces.
- T90 must not be used outdoors. T90 tolerates an environment measuring +10°C to +35°C. Air humidity must never exceed 90 %.
- Do not attempt any servicing or adjustment other than those described in this manual. The given instructions must be followed carefully.
- Never operate this treadmill if it has a damaged cord or plug, if it has been dropped or damaged, or dropped into water. Return the treadmill to a service center for repair.
- Never operate the appliance with the air opening blocked. Keep the air openings free of lint, hair, and the like.
- Do not operate where aerosol (spray) products are being used or where oxygen is being administered.
- The device must not be used by persons weighing over 150 kg
- Information on warranty terms can be found in the warranty booklet included with the product.

SAVE THESE INSTRUCTIONS!

WELCOME TO THE WORLD OF TUNTURI EXERCISING!

Your choice shows that you really want to invest in your well-being and condition; it also shows you really value high quality and style. With Tunturi Fitness Equipment, you've chosen a high-quality, safe and motivating product as your training partner. Whatever your goal in training, we are certain this is the training equipment to get you there. You'll find information about using your

exercise equipment and what makes for efficient training at Tunturi's website at WWW.TUNTURI.COM.

ASSEMBLY

Before assembling the device, insure all parts are present:

PACKAGE 1/3

1. Running base
2. Power cord

PACKAGE 2/3

3. Handrails
4. Handlebar/meter unit
5. Assembly kit (contents are marked with an * in the spare part list): keep the assembly tools, as you may need them e.g. for adjusting the equipment

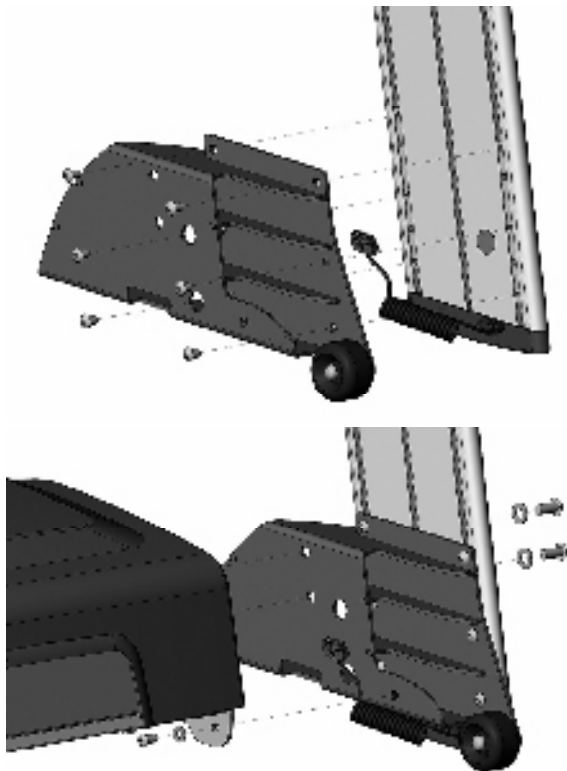
PACKAGE 3/3

6. Extended handrails (Assembly: page 100)

The directions left, right, front and back are defined as seen from the exercising position. In case of problems contact your Tunturi dealer. The package includes a silicate bag for absorbing moisture during storage and transportation. Two people are needed for the installation. Assemble the equipment as follows:

Open both packages and remove all protective styrofoam pieces.

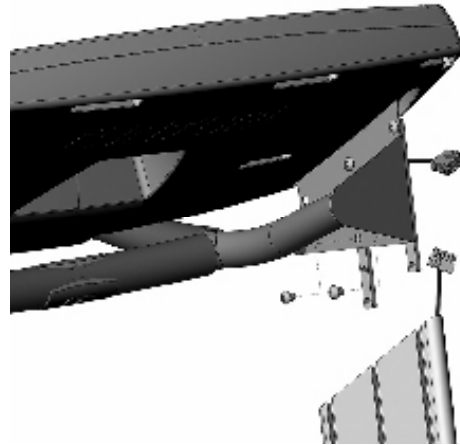
HANDRAILS



Secure the handrail mounting pieces to the lower ends of the handrails, using six hex screws (A) on each mounting piece. Tighten these screws

carefully. **NOTE!** The left handrail and mounting piece are marked with a round red sticker. Secure both handrails to the running base with two hex screws (B) and washers (C) and with one hex screw (D) and a washer (E). Be careful not to damage the wire coming out of the left handrail. **NOTE!** Do not tighten these bolts until the handlebar and meter have been secured.

HANDLEBAR AND METER



Turn the sliders located at the sides of the handlebars downward so that you can attach them with another screw (F) through the lower hole of the handlebar. **NOTE!** Attach the screws as loosely as possible. Do not remove the screws on the sliders. Place the handlebar/meter unit on the handrails so that the sliders fit the handrail grooves. Connect the wire coming out of the left handlebar with the connector in the meter and push the connected wire inside the handlebar. Push the handlebar/meter unit onto the handrail ends and tighten all the hex screws on the sliders.

Be careful not to damage the handgrip pulse wire: make sure that the wire runs along the middle groove in the handrail. Fasten the handrail bolts. Remove the protective film from the display.

Connect the wire coming out of the left handlebar with the connector located under the running base on the left hand side. For easier access, tilt the treadmill slightly on its right side.

SAFETY KEY

The treadmill cannot be used if the key is not properly installed on the meter; if the key is removed from its place, the treadmill will immediately stop. Insert the safety key into the key holder at the left side of the meter. Ensure that the clip of the safety key is properly attached to your clothing; as the cord tightens, make sure the clip does not detach itself from your clothing before the safety key disconnects from the user interface.

POWER CORD AND GROUNDING

INSTRUCTIONS

Plug the socket end of the power cord into the treadmill at the left front corner. Before connecting the device to a power source, make sure that local voltage matches that indicated on the type plate. Turn on the power using the switch next to the socket on the treadmill. This treadmill must be grounded. If it should malfunction or breakdown, grounding provides a path of least resistance for electrical current to reduce the risk of electrical shock. This product is equipped with a cord having an equipment-grounded conductor and a grounding plug. The plug must be plugged into an appropriate outlet that is properly installed and grounded in accordance with all local codes and ordinances. Do not use extension cables when connecting the equipment to the power source.

DANGER! Improper connection of the equipment-grounding conductor can result in a risk of electric shock. Check with a qualified electrician or serviceman, if you are in doubt as to whether the product is properly grounded. Do not modify the plug provided with the product - if it will not fit the outlet, have a proper outlet installed by a qualified electrician.

BASICS ON EXERCISING

Before training on a motor-driven treadmill, you should familiarise yourself with its functions and operation.

Working out with this equipment is excellent aerobic exercise, the principle being that the exercise should be suitably light but of long duration. Aerobic exercise is based on improving the body's maximum oxygen uptake, which in turn improves endurance and fitness.

Aerobic exercise should above all be pleasant. You should perspire, but your heart rate should stay at a comfortable level. This will allow for a longer training session. Three 30 to 60 minute sessions a week is recommended, depending on your goals, fitness level and schedule.

If you prefer a walking exercise, you can increase the versatility and effort level of your workout by adjusting the elevation. For a more versatile walking exercise, you can also use light dumbbells to work your arm muscles. Remember to pay attention to safety concerns, such as maintaining your balance.

You'll find information about using your exercise equipment and what makes for efficient training at Tunturi's website at WWW.TUNTURI.COM.

ABOUT THE EXERCISE ENVIRONMENT

- Make sure the exercise environment has adequate ventilation. To avoid catching cold, do not exercise in a draughty place.
- Place the treadmill on a firm, level surface. Allow

200x100 cm of clearance behind the treadmill and 100 cm on either side and in front of the treadmill. Make sure that children and pets stay away from this area while the treadmill is in use.

- We recommend that the equipment is placed on a protective base.

ABOUT USING THE EQUIPMENT

- Always unplug the treadmill from the electrical outlet after each training session.
- Only one person may use the equipment at a time.
- Keep hands clear of any moving parts. Never place hands, feet or any other objects under the treadmill
- Never leave the treadmill unattended when plugged in.
- Wear appropriate clothing and shoes when exercising. Make sure your shoelaces are properly tied. To avoid injury and unnecessary wear on your treadmill, be sure your shoes are free of any debris such as gravel and small pebbles.

BEGINNING AN EXERCISE SESSION

- To avoid muscular pain and strain, begin and end each workout by stretching.
- Stand on the landing rails to the left and right of the running belt. Do not stand on the running belt.
- Begin each workout at a low speed, and gradually increase your speed and/or treadmill elevation to a comfortable level according to your condition.
- Always hold the handrail for support when getting on or off the treadmill and when changing the speed during exercise. Do not jump off the running belt while it is moving!
- To avoid numbness and pain in the neck, shoulder and back area, maintain an upright posture. Try to run in the middle of the track, within comfortable reach of the meter.
- If you encounter any operational faults during exercise, grip the handlebar for support and stand on the landing rails to the left and right of the running belt. Turn the power switch off and see the instructions under Malfunctions.
- If you experience nausea, dizziness or other abnormal symptoms while exercising, stop your workout at once and consult a physician.

FINISHING AN EXERCISE SESSION

- Finish each workout by gradually reducing the speed. Don't forget to stretch at the end of the workout.
- Never leave the safety key in the treadmill.
- Use the main power switch to turn the unit off.
- Unplug the electrical cord from the wall outlet and from the treadmill.
- If necessary clean the treadmill from sweat with a damp cloth. Do not use solvents.
- Store the electrical cord where it is clear from all pathways and out of childrens' reach.

HEART RATE

No matter what your goal, you'll get the best results by training at the right level of effort, and the best

measure is your own heart rate.

PULSE MEASUREMENT

WITH HANDGRIP PULSE

The handgrip sensors in the handrails take a pulse measurement when the user of the T90 is touching both sensors simultaneously. Reliable pulse measurement requires that the skin is constantly touching the sensors and that the skin is slightly moist. Skin which is too dry or moist will interfere with the pulse measurement. Please also note that heavy pounding of feet on the running belt during exercise can cause interference that may affect the accuracy of the handgrip pulse measurement. To ensure safe operation, we recommend that you use pulse measurement only when training at a walking pace or standing on the landing rails located on each side of the running belt, or when the treadmill has come to a stop. **NOTE!** Once activated, the pulse meter performs an initial check and starts measuring your pulse in 8 seconds.

TELEMETRIC HEART RATE MEASUREMENT

The most reliable heart rate measurement is achieved with a telemetric device, in which the electrodes of the transmitter fastened to the chest transmit the pulses from the heart to the meter by means of an electromagnetic field.

NOTE! If you are fitted with a pacemaker, please consult a physician before using a wireless heart rate monitor.

If you want to measure your heart rate this way during your workout, moisten the grooved electrodes on the transmitter belt with saliva or water. Fasten the transmitter just below the chest with the elastic belt, firmly enough so that the electrodes remain in contact with the skin while exercising, but not so tight that normal breathing is prevented. If you wear the transmitter and belt over a light shirt, moisten the shirt slightly at the points where the electrodes touch the shirt. The transmitter automatically transmits the heart rate reading to the meter up to a distance of about 1 m.

If the electrode surfaces are not moist, the heart-rate reading will not appear on the display. If the electrodes are dry, they must be moistened again. Allow the electrodes warm up properly to ensure accurate heart rate measurement. If there are several telemetric heart rate measurement devices next to each other, the distance between them should be at least 1.5 m. Similarly, if there is only one receiver and several transmitters in use, only one person with a transmitter should be within transmission range. The transmitter is switched to an active state only when it is being used for measurement. Sweat and other moisture can, however, keep the transmitter in an active state and waste battery energy. Therefore it is important to dry the electrodes carefully after use.

When selecting training attire, please note that some fibers used in clothes (e.g. polyester, polyamide) create static electricity, which may prevent reliable heart rate measurement.

Please note that a mobile phone, television and other electrical appliances form an electromagnetic field around them, which will cause problems in heart rate measurement.

First find your maximum heart rate i.e. where the rate doesn't increase with added effort. If you don't know your maximum heart rate, please use the following formula as a guide:

220 - AGE

The maximum varies from person to person. The maximum heart-rate diminishes on average by one point per year. If you belong to a risk group, ask a doctor to measure your maximum heart rate for you.

We have defined three different heart-rate zones to help you with targeted training.

BEGINNER: 50-60 % of maximum heart-rate
Also suitable for weight-watchers, convalescents and those who haven't exercised for a long time. Three sessions a week of at least a half-hour each is recommended. Regular exercise considerably improves beginners' respiratory and circulatory performance and you will quickly feel your improvement.

TRAINER: 60-70 % of maximum heart-rate
Perfect for improving and maintaining fitness. Even reasonable effort develops the heart and lungs effectively, training for a minimum of 30 minutes at least three times a week. To improve your condition still further, increase either frequency or effort, but not both at the same time!

ACTIVE TRAINER: 70-80 % of maximum heart-rate
Exercise at this level suits only the fittest and presupposes long-endurance workouts.

METER

FUNCTION KEYS

START

Starts the selected training and activates the running belt.

SPEED CONTROL KEYS (RABBIT / TURTLE)

RABBIT key increases the belt speed in 0,1 km/h / mph increments, the TURTLE key decreases it in 0,1 km/h / mph increments. Pressing these keys longer makes the speed change faster. Track speed ranges from 0,3-18,0 km/h / 0,2-11 mph.

ELEVATION CONTROL KEYS

Click the elevation up key to increase elevation in 0,5 % increments, and the elevation down key to decrease it in 0,5 % increments. Pressing these keys longer makes the speed change faster. Track

elevation ranges from 0 % (horizontal) to 12 %.

ARROW KEYS

In user settings, you can adjust the values with the arrow keys. In HRC mode, you can set and scale the target HR with the arrow keys. In exercise profiles, you can set and scale the effort level with the arrow keys. Pressing the “arrow up” key will increase the effort, and pressing the “arrow down” key will decrease the effort.

STOP / PAUSE / RESET

Press STOP once and the treadmill stops and moves into its waiting state for 5 minutes. You can restart the interrupted exercise by pressing the START key within 5 minutes. Press STOP twice to end your exercise. Keep the STOP key pressed down for 2 seconds to reset the meter. The meter then switches to its initial state.

SELECT

Before you press the START key, SELECT key selects the training modes. During training, SELECT key selects the profile displays.

ENTER

Confirm your selections (training mode or program, user set-ups)

SET

Press the SET key to change or check device settings.

SPEED

Pressing the SPEED key during manual exercise allows you to adjust the speed in quick steps. Pressing the key once will increase the speed to 5.4 km/h, twice to 7.2 km/h, and three times to 9.6 km/h. After this, pressing the key will decrease the speed in the same steps.

COOL DOWN

Press the COOL DOWN key to start a 5-minute cool-down period, after which the treadmill will stop. In preset exercise programmes, the cool-down period will automatically start once you have completed the profile.

DISPLAYS

HEART RATE

45-220 bpm. The heart rate light always blinks when the meter is receiving a heart rate signal.

KCAL (estimated energy consumption) 0-9999 kcal, 1 kcal increments

ELEVATION

0-12 %, 0,5 % increments

TIME

exercise duration at 1 second intervals 00:00-99:59, and at 1 minute intervals thereafter h1:40-h9:59

DISTANCE

0.00-99.99 km, 0,01 km increments

SPEED

running deck speed (0,3-18,0 km/h / 0,2-11 mph), 0,1 km / mph increments. A signal light indicates the selected measurement unit (km/h, mph, pace = minutes/ kilometre or mile).

GRAPHIC / TEXT DISPLAY

T90 is equipped with a separate graphic display for detailed information on your workout profile, while the text field provides instructions both when you switch to an exercise and during the exercise itself.

DEVICE SETTINGS

1. Press SET.
2. Set the measurement units (Metric = metric system, Imperial = avoirdupois). Use the arrow keys to change the setting, and press ENTER to confirm your selection. You will then move to the next setting.
3. Set the user weight. Use the arrow keys to change the setting, and press ENTER to confirm your selection. This information is needed for estimating energy consumption. You will then move to the next setting.
4. Set gender (male, female). Use the arrow keys to change the setting, and press ENTER to confirm your selection. This information is needed for estimating energy consumption. You will then move to the next setting.
5. Set the age of the user. Use the arrow keys to change the setting, and press ENTER to confirm your selection. This information is needed for estimating energy consumption. You will then move to the next setting.
6. Set the audio signal (ON = signals on, OFF = signals off). Use the arrow keys to change the setting, and press ENTER to confirm your selection. You will then move to the next setting. **NOTE!** In profile workouts, the meter gives an audio signal in advance of any changes in profile.
7. Set the units to be displayed (km/h, min/km (pace), mph, min/mile (pace)). Use the arrow keys to change the setting, and press ENTER to confirm your selection. You will then move to the next setting. **NOTE!** You can set the units during exercise: press SET once and use the arrow keys to change the setting, and press ENTER to confirm your selection.
8. Set the maximum speed for HRC workouts with the arrow keys: since HRC adjust the speed level according to your heart rate, a maximum speed limit is needed to keep the speed at a suitable level. The default is 12 km/h. Use the arrow keys to change the setting, and press ENTER to confirm your selection. You will then move to the next setting.
9. The TOTAL TIME display shows the total training time on the treadmill. Press ENTER to move to the next display.
10. The TOTAL DISTANCE display shows the total training distance on the treadmill. Press ENTER to return to user settings or press START to exit user settings.

CHOOSING AN EXERCISE

Press SELECT until the signal light indicates the desired exercise. You can choose between:

1. Manual exercise in which you adjust both speed and elevation yourself during the exercise.
2. Heart rate controlled HRC exercise in which the treadmill adjusts the speed / elevation automatically, so that your heart rate stays at the level set. You always need to wear a heart rate belt while doing HRC exercises.
3. Fitness test feature with two test options: a 2-kilometre walking test and a 12-minute Cooper run test.
4. Preset exercise profile in which speed/elevation or heart rate level vary according to the preset program.

P1: MANUAL EXERCISE

Quick Start:

1. Manual exercise is the treadmill default setting. You can start the exercise directly by pressing the START key. The belt starts moving at 1,5 km/h / 1,0 mph. Use the RABBIT/TURTLE keys to adjust the speed and the elevation control keys to adjust the elevation.

Starting with the program selection:

2. Press SELECT until the signal light shows next to the Manual text. Press ENTER to confirm your selection.
3. Press START. The belt starts moving at 1,5 km/h / 1,0 mph. Use the RABBIT/TURTLE keys or the SPEED key to adjust the speed and the elevation control keys to adjust the elevation.
4. The profile display collects the exercise details at one minute intervals. After 20 minutes, the display will shift to the left to show the speed details from the last 20 minutes. Pressing SELECT during the exercise will display speed, elevation, heart rate and running track profiles for the exercise.
5. Press STOP and the treadmill stops and moves into waiting state for 5 minutes. You can restart the interrupted exercise by pressing the START key within 5 minutes. Press the STOP key twice to end exercising and display feedback on your workout. The meter then switches to its initial state.

P2: HEART RATE CONTROLLED EXERCISE

Heart rate controlled exercises enable training at a selected heart rate level. Heart rate controlled exercises always require the use of a heart rate belt. If heart rate measurement is not working correctly, the error message CHECK TRANSMITTER will be displayed. You should then make sure that you have properly followed the instructions on the use of the heart rate belt.

1. Press SELECT until the signal light shows the HRC text. Press ENTER to confirm your selection.
2. Select the HRC mode with the arrow keys:

MEN / MAXIMAL OXYGEN UPTAKE (VO _{2MAX})							
1 = VERY POOR - 7 = EXCELLENT							
AGE	1	2	3	4	5	6	7
18-19	<33	33-38	39-44	45-51	52-57	58-63	>63
20-24	<32	32-37	38-43	44-50	51-56	57-62	>62
25-29	<31	31-35	36-42	43-48	49-53	54-59	>59
30-34	<29	29-34	35-40	41-45	46-51	52-56	>56
35-39	<28	28-32	33-38	39-43	44-48	49-54	>54
40-44	<26	26-31	32-35	36-41	42-46	47-51	>51
45-49	<25	25-29	30-34	35-39	40-43	44-48	>48
50-54	<24	24-27	28-32	33-36	37-41	42-46	>46
55-59	<22	22-26	27-30	31-34	35-39	40-43	>43
60-65	<21	21-24	25-28	29-32	33-36	37-40	>40
WOMEN / MAXIMAL OXYGEN UPTAKE (VO _{2MAX})							
1 = VERY POOR - 7 = EXCELLENT							
AGE	1	2	3	4	5	6	7
18-19	<28	28-32	33-37	38-42	43-47	48-52	>52
20-24	<27	27-31	32-36	37-41	42-46	47-51	>51
25-29	<26	26-30	31-35	36-40	41-44	45-49	>49
30-34	<25	25-29	30-33	34-37	38-42	43-46	>46
35-39	<24	24-27	28-31	32-35	36-40	41-44	>44
40-44	<22	22-25	26-29	30-33	34-37	38-41	>41
45-49	<21	21-23	24-27	28-31	32-35	36-38	>38
50-54	<19	19-22	23-25	26-29	30-32	33-36	>36
55-59	<18	18-20	21-23	24-27	28-30	31-33	>33
60-65	<16	16-18	19-21	22-24	25-27	28-30	>30

- A) Speed = heart rate control is based on changing belt speed. If you wish, you can change the inclination angle of the belt during training.
 - B) Elevation = heart rate control is based on changing treadmill inclination. In this mode you have to adjust the speed by yourself using the TURTLE and RABBIT keys or the SPEED key.
 - C) Combination = automatic equal adjustment of both the inclination angle and the speed of the belt.
3. Press ENTER to confirm your selection.
 4. Set the desired heart rate (80-180) with the arrow keys. Press ENTER to confirm your selection.
 5. Press START to start constant heart-rate exercise. You can adjust the heart rate level with the arrow keys during the exercise.
 6. The profile display collects the exercise details at one minute intervals. After 20 minutes, the display will shift to the left to show the speed details from the last 20 minutes. Pressing SELECT during the exercise will display speed, elevation, heart rate and running track profiles for the exercise.
 6. Press STOP and the treadmill stops and moves into waiting state for 5 minutes. You can restart the interrupted exercise by pressing the START key within 5 minutes. Press the STOP key twice to end exercising and display feedback on your workout. The meter then switches to its initial state.

P3: FITNESS TESTS

The treadmill features two different fitness tests. The fast-paced 2 km walking test requires a lower level of effort, while the 12-minute Cooper run test is better suited to those who are fit.

1. Press SELECT until the signal light shows next to the text TEST. Press ENTER to confirm your selection.
2. Press SELECT to choose between the 2 km walking test and the Cooper test. Press ENTER to confirm your selection.

2 KM WALKING TEST

The walking test requires the use of a heart rate transmitter belt. The test measures your fitness level on the basis of your heart rate level during the exercise and the time taken to complete the 2 km distance. The test is preceded by a 3-minute warm-up period. We also recommend you continue walking slowly after the test, so that your heart rate returns smoothly to normal. On the basis of your performance, the meter will display an estimate of your maximum oxygen uptake capacity.

BEGINNING THE WALKING TEST:

1. The display prompts for user height: enter your height with the arrow keys. Press ENTER to confirm your setting.
2. The display prompts for the user's sex: enter your sex with the arrow keys. Press ENTER to confirm your setting.
3. The display prompts for user weight: enter your weight with the arrow keys. Press ENTER to confirm your setting.
4. The display prompts for the user's age: enter your age with the arrow keys. Press ENTER to confirm your setting.
5. The display reads WARM UP to indicate you can begin the 3-minute warm-up period. Begin the warm-up period by pressing START.
6. The running deck elevation is adjusted at 1 % to simulate air resistance. Adjust speed using the speed control keys. We recommend that you warm up by walking at a slightly faster pace than normally.
7. During the warm-up period, time will count down from three minutes. When the time displays 0:00, the meter gives an audio signal and the actual test will begin (TEST STARTED!).

PERFORMING THE WALKING TEST:

1. The goal is to walk the 2 km distance as quickly as possible. Adjust the speed yourself by using the speed control keys. Do not run during the test!
2. If the heart rate measurement is not working correctly, the display will show the alert CHECK TRANSMITTER. You should then make sure that you have properly followed the instructions on the use of the heart rate belt.
3. Once the 2 km distance is covered, the meter gives an audio signal. The test is automatically followed by a 5-minute cool-down period, after which the treadmill will stop. The display gives the test result as your maximum oxygen uptake capacity and shows an estimate of your fitness level.

COOPER TEST

The Cooper test is used to calculate your fitness level on the basis of the distance you run in a period of 12 minutes: the longer the distance you cover, the better your fitness level. The test is preceded by a 3-minute warm-up period. We also recommend you continue walking slowly after the test, so that your heart rate returns smoothly to normal. On the basis of your performance, the meter will display an estimate of your maximum oxygen uptake capacity.

BEGINNING THE COOPER TEST:

1. The display reads COOPER SELECTED. Press START to confirm your selection.
2. The display prompts for the user's sex: enter your sex with the arrow keys. Press ENTER to confirm your setting.
3. The display prompts for the user's age: enter your age with the arrow keys. Press ENTER to confirm your setting.
4. The display reads WARM UP to indicate you can begin the 3-minute warm-up period. Begin the warm-up period by pressing START.
5. The running deck elevation is adjusted at 1 % to simulate air resistance. Adjust speed using the speed control keys. We recommend that you warm up by walking at a slightly faster pace than normally.
6. During the warm-up period, time will count down from three minutes. When the time displays 0:00, the meter gives an audio signal and the actual test will begin (TEST STARTED!).

PERFORMING THE COOPER TEST:

1. The goal is to run as long a distance as possible in a period of 12 minutes. Adjust the speed yourself by using the speed control keys.
2. The display shows the time elapsed and your estimated results throughout the test.
3. Once the 12 minutes are up, the meter gives an audio signal. The test is automatically followed by a 5-minute cool-down period, after which the treadmill will stop. The display gives the test result as your maximum oxygen uptake capacity and shows an estimate of your fitness level.

P4-P16: PRESET TRAINING PROGRAMS

Tunturi has developed different preset exercise programs in order to ensure versatile, pleasant and goal-oriented training. The meter provides detailed information about the selected program during the exercise. The meter gives an audio signal in advance of changes in a program. The profile display shows the shape of the program profile and the details of the next program profile bar.

P4 is a manual exercise program. The display shows a 400 m track and calculates your time for each lap.

1. Press SELECT until the signal light shows the program (P4) you want.
2. Press START. The belt starts moving at 1,5 km/h / 1,0 mph. Use the RABBIT/TURTLE keys or the SPEED

key to adjust the speed and the elevation control keys to adjust the elevation.

3. Pressing SELECT during the exercise will display speed, elevation, heart rate and running track profiles for the exercise.

4. Press STOP and the treadmill stops and moves into waiting state for 5 minutes. You can restart the interrupted exercise by pressing the START key within 5 minutes. Press the STOP key twice to end exercising and display feedback on your workout. The meter then switches to its initial state.

P5 is a 5 km programme, and **P6** a 10 km programme with a preset elevation profile and manual speed adjustment. The elevation profile is adjustable.

1. Press SELECT until the signal light shows the program (P5-P6) you want.

2. Press START. The belt starts moving. Use the RABBIT/TURTLE keys or the SPEED key to adjust the speed.

3. You can adjust the elevation profile using the arrow keys.

4. Press STOP and the treadmill stops and moves into waiting state for 5 minutes. You can restart the interrupted exercise by pressing the START key within 5 minutes. Press the STOP key twice to end exercising and display feedback on your workout. The meter then switches to its initial state.

5. The cool-down period will automatically start once you have completed the profile. After the cool-down the treadmill will stop.

P7 and **P8** are heart rate controlled programs. **P7** is a 15-minute program designed for warming up before a workout. **P8** is a 30-minute program designed for basic aerobic training. The heart rate controlled profiles always require the use of a heart rate belt. If heart rate measurement is not working correctly, the error message CHECK TRANSMITTER will be displayed. You should then make sure that you have properly followed the instructions on the use of the heart rate belt.

1. Press SELECT until the signal light shows next to the profile (P7-P8) you want. Press ENTER to confirm your selection.

2. Select the HRC mode with the arrow keys.

3. Press START. The exercise begins and the belt starts moving. You can scale the program heart rate level up and down at 1 % steps using the arrow keys.

4. Press STOP and the treadmill stops and moves into waiting state for 5 minutes. You can restart the interrupted exercise by pressing the START key within 5 minutes. Press the STOP key twice to end exercising and display feedback on your workout. The meter then switches to its initial state.

5. The cool-down period will automatically start once you have completed the profile. After the cool-down the treadmill will stop.

The programs **P9-P11** are preset exercise programs with different effort levels and preset speed and elevation. You can program the speed to a desired level and set the duration of the exercise to be

displayed either in time or distance.

1. Press SELECT until the signal light shows the program (**P9-P11**) you want. Press ENTER to confirm your selection.

2. Set program distance/time. Use the SELECT key to alternate between different setting values. You can change the value using the arrow keys (limit 10 minutes (0:10) – 3 hours (h3:00), adjusting at 5 minute steps / 3 km – 42 km, adjusting at 1 km steps).

3. Press START. The exercise begins and the belt starts moving. You can scale the program speed level up and down at 1 % steps using the arrow keys. Pressing SELECT during the exercise will display speed and elevation profiles for the exercise.

4. Press STOP and the treadmill stops and moves into waiting state for 5 minutes. You can restart the interrupted exercise by pressing the START key within 5 minutes. Press the STOP key twice to end exercising and display feedback on your workout. The meter then switches to its initial state.

5. The cool-down period will automatically start once you have completed the profile. After the cool-down the treadmill will stop.

The program **P12** is an interval exercise in which you can determine track speed yourself and set the distance to be run or the duration of the exercise.

1. Press SELECT until the signal light shows the program **P12**. Press ENTER to confirm your selection.

2. Set program distance/time. Use the SELECT key to alternate between different setting values. You can change the value using the arrow keys (limit 10 minutes (0:10) – 3 hours (h3:00), adjusting at 5 minute steps / 3 km – 42 km, adjusting at 1 km steps). Press ENTER to confirm your selection.

3. Press START. The exercise begins and the belt starts moving. Use the speed control keys or the SPEED key to adjust the speed.

4. You can scale the program elevation profile up and down using the arrow keys.

5. Press STOP and the treadmill stops and moves into waiting state for 5 minutes. You can restart the interrupted exercise by pressing the START key within 5 minutes. Press the STOP key twice to end exercising and display feedback on your workout. The meter then switches to its initial state.

6. The cool-down period will automatically start once you have completed the profile. After the cool-down the treadmill will stop.

HRC programs (**P13-P16**) are heart rate controlled exercise programs with different effort levels that allow you to set the duration of the exercise. The heart rate controlled programs always require the use of a heart rate belt. If heart rate measurement is not working correctly, the error message CHECK TRANSMITTER will be displayed. You should then make sure that you have properly followed the instructions on the use of the heart rate belt.

1. Press SELECT until the signal light shows the program (P13-P16) you want. Press ENTER to

confirm your selection.

2. Select the HRC mode with the arrow keys. Press ENTER to confirm your selection.
3. Press SELECT to move to program duration (time / distance) setting. The previous duration set is shown on the display. Use the SELECT key to alternate between different setting values. You can change the value using the arrow keys (limit 10 minutes (0:10) – 3 hours (h3:00), adjusting at 5 minute steps / 3 km – 42 km, adjusting at 1 km steps). Press ENTER to confirm your selection.
4. Press START. The exercise begins and the belt starts moving. You can scale the program heart rate level up and down at 1 % steps using the arrow keys.
5. You can set the maximum speed for the treadmill by pressing the speed control keys.
6. Press STOP and the treadmill stops and moves into waiting state for 5 minutes. You can restart the interrupted exercise by pressing the START key within 5 minutes. Press the STOP key twice to end exercising and display feedback on your workout. The meter then switches to its initial state.
7. The cool-down period will automatically start once you have completed the profile. After the cool-down the treadmill will stop.

PROGRAMS (program figures are at the back of the manual)

P4 (Track) is a manual exercise program. The display shows a 400 m track and counts your time for each lap. The program is ideal for active training and competing against your own previously saved exercise profile. You can adjust the running deck elevation to simulate air resistance.

P5 (5K Course) is a 5 km program with a preset elevation profile and manual speed adjustment. The elevation profile is adjustable. The program is suited to runners and active trainers: a popular distance in competitions, the 5 km program is useful in monitoring your training progress. The default values are preset to an average elevation of 1.1% and a top elevation of 3%.

P6 (10K Course) is a 10 km program with a preset elevation profile and manual speed adjustment. The elevation profile is adjustable. The program is suited to runners and active trainers: a popular distance in competitions, the 10 km program is useful in monitoring your training progress. The default values are preset to an average elevation of 0.875% and a top elevation of 3%.

P7 (15 Min Warm Up) is a heart rate controlled program. The 15-minute program is designed for warming up before a workout. The default values are preset to an average heart rate of 113 bpm and a maximum heart rate of 122 bpm.

P8 (30 Min Health) is a heart rate controlled program. The 30-minute program is designed for basic aerobic training. The default values are preset to an average heart rate of 117 bpm and a maximum heart rate of 126 bpm.

P9 (Hill Walk) is based on regular changes in elevation, combined with a fairly steady, brisk walking pace. The program is suited to beginners and active walkers. The default values are preset to an average speed of 5.2 km/h and a top speed of 5.8 km/h, with an average elevation of 2.7%.

P10 (Hill Jog) is based on irregular changes in elevation, combined with a fairly steady, light jogging pace. The program is suited to beginners as well as to those who want to maintain their fitness. The default values are preset to an average speed of 6.9 km/h and a top speed of 7.2 km/h, with an average elevation of 1.9%.

P11 (Hill Run) is based on a consistent, low elevation, combined with a brisk running pace with regular variation. The program is suited to active runners. The default values are preset to an average speed of 11.6 km/h and a top speed of 12.5 km/h, with an average elevation of 1.8%.

P12 (Rolling Hills) is a distance program where you can set the distance to be covered in kilometres. The program is specifically designed for regular training, but also allows for varied routines in fitness training. The maximum distance is 42 km, with the default value preset to 3 km, adjusting at 1 km steps. The program features interval type elevation settings, with an average elevation of 2.4%.

P13 (Fatburner 1) is a heart rate program with a low level of effort, based on a regular rise and fall in the heart rate. The program is suited to weight control. The default values are preset to an average heart rate of 114 bpm and a maximum heart rate of 125 bpm.

P14 (Fatburner 2) is a heart rate program with a medium level of effort, based on an interval type rise and fall in the heart rate. The program is suited to fitness training and weight control. The default values are preset to an average heart rate of 122 bpm and a maximum heart rate of 136 bpm.

P15 (Cardio) is a heart rate program with a medium level of effort, based on a regular rise and fall in the heart rate. The heart rate level remains at around 130-140 bpm almost throughout the entire exercise. The program is ideal for fitness training. The default values are preset to an average heart rate of 129 bpm and a maximum heart rate of 145 bpm.

P16 (Fit) is a heart rate program with a high level of effort, based on a regular rise and fall in the heart rate. The heart rate level remains at around 135-145 bpm almost throughout the entire exercise. The program is suited to demanding fitness training and improvement. The default values are preset to an average heart rate of 133 bpm and a maximum heart rate of 150 bpm.

MAINTENANCE

The equipment is safe to use only when periodically maintained and inspected for faults and wear. Do not attempt any servicing or adjustment other than those described in this manual. Any other servicing must be performed by an authorized service representative. Check the tightness of all fixing screws once a year. Do not overtighten. Defective components must be immediately replaced: the equipment must not be operated with any defective components.

CLEANING AND LUBRICATING THE TREADMILL

FAILURE TO LUBRICATE YOUR TREADMILL MAY INVALIDATE THE PRODUCT'S WARRANTY!

Wipe the treadmill surfaces, especially the handlebars and console from dust with a damp cloth or towel. Do not use solvents. Use a small vacuum nozzle to carefully vacuum around all visible components (belt, running deck, side rails etc.). Also keep the area near the treadmill clean. While in use, the treadmill gathers dust that may cause problems in the operation of the equipment.

In average domestic use (a maximum of 60 minutes a day), you should check the lubrication once a month – however, lubricate the belt only if needed. In more demanding use, the lubrication needs be checked at shorter intervals. This is best done before you begin a training session. Check the lubrication as follows:

1. Ensure the treadmill is powered off! Step on the treadmill belt and stand steadily where you normally run on the belt.
2. Take hold of the horizontal handlebar and push the belt with your feet so that it slides back and forth. The belt should move softly and evenly, without a sound.
3. If you notice jerky movement or if the belt will not slide check for lubrication by sliding your hand under the belt.

Lubricate the running deck according to the following instructions:

1. Attach the nozzle of the lubrication tube to the T-Lube S container.
2. Adjust the running deck to its maximum elevation.
3. Position the nozzle between the belt and the board on the underside of the treadmill. Try to reach the spray as far into the center of the running deck as possible.
4. Spray the lubricant for 2-3 seconds.
5. Lower the running deck into its normal position. Use your treadmill for your training session. Or allow the treadmill to run for at least 5 minutes.

NOTE! Lubricate your treadmill only with T-Lube

S silicon lubricant. Contact your local Tunturi distributor for further supplies of T-Lube or further information on lubrication and maintenance.

ALIGNING THE RUNNING BELT

Monitor belt tracking during exercise and make adjustments as needed. The belt should run in the center of the treadmill. Alignment is not usually needed, provided

- the treadmill is placed on an even, solid and horizontal surface and the belt is correctly tensioned
- the alignment of the belt is correct

It is, however, possible for the belt to be pushed to one side due to the user's running style (e.g. more weight on one foot). The alignment of the belt is adjusted by turning the two bolts at the back of the treadmill.

Align the belt according to the following instructions:

1. Turn the power switch on and increase the treadmill's speed to 5 km/h (3 mph).
2. If the belt drifts to the left, turn the left adjustment bolt $\frac{1}{4}$ turn clockwise and the right adjustment bolt $\frac{1}{8}$ turn anti-clockwise. If the belt drifts to the right, turn the right adjustment bolt $\frac{1}{4}$ turn clockwise and the left adjustment bolt $\frac{1}{4}$ turn anti-clockwise.
3. If the belt remains centered the adjustment is correct. If not, continue to make small adjustments as above until the belt is correctly aligned. If the belt is allowed run across to one side for long periods of time the edges of the belt may be damaged and the treadmill may not continue to operate correctly. Any damage to the belt caused by the lack of necessary adjustment will not be covered by the warranty.

ADJUSTING THE BELT TENSION

The belt must be tensioned if it begins to slip on the rollers. In normal use, however, keep the belt as loose as possible! The belt tension is adjusted by turning the same screws as used for aligning the running belt. If turning the screws will not effect the belt tension, please contact your local Tunturi dealer.

1. Increase the treadmill's speed to 5 km/h (3 mph).
2. Turn both adjustment screws an equal amount, $\frac{1}{4}$ turn clockwise.
3. Try to slow the belt down by holding onto the handrails and braking as you walk (as if you were walking downhill).

If the belt slips, turn another $\frac{1}{4}$ turn and repeat the test. When braking heavily the belt may slip. If the belt keeps slipping despite repeated adjustments, please contact your local Tunturi dealer.

MALFUNCTIONS

NOTE! Despite continuous quality control, defects and malfunctions caused by individual components may occur in the equipment. In most cases it's

unnecessary to take the whole device in for repair, as it's usually sufficient to replace the defective part. Always give the model, serial number of your equipment and in case of malfunctions also conditions of use, nature of malfunction and any error code.

When you encounter unusual behavior from the treadmill, simply turn the power switch off, wait 1 minute and turn the power switch on to reset the treadmill. This should clear incidental errors and ready the treadmill for normal operation again. If after you have reset the treadmill by turning the power switch off and on again, and the treadmill is still not operational, contact your local Tunturi dealer for service.

If you require spare parts, always give the model, serial number of your equipment and the spare part number for the part you need. The spare part list is at the back of this manual. Use only spare parts mentioned in the spare part list.

ERROR CODES

The user interface will display information about operational faults.

SYSTEM CHECK FAILED - Possible motor controller fault. Turn the power switch off, wait 1 minute and turn the power switch on again. If treadmill recovers to normal operation, you may continue to use the treadmill. Otherwise, call the dealer for service.

SPEED SENSOR ERROR - Call the dealer for service.

MOTOR SPEED ERROR - Ensure correct usage of the treadmill. Do not push the belt with your feet. Turn the power switch off, wait 1 minute and turn the power switch on again. If treadmill recovers to normal operation, you may continue to use the treadmill. Otherwise, call the dealer for service.

MOTOR OVERLOAD - Ensure correct usage of the treadmill. Do not brake the belt. Turn the power switch off, wait 1 minute and turn the power switch on again. If treadmill recovers to normal operation, you may continue to use the treadmill. Ensure the lubrication is sufficient, re-lubricate the running deck if needed. Otherwise, call the dealer for service.

LIFT MOTOR ERROR - Call the dealer for service.

LIFT MOTOR OVERLOAD - Ensure correct usage of the treadmill. Do not overload the lift motor by continuously changing the elevation. Turn the power switch off, wait 1 minute and turn the power switch on again. The lift motor will be automatically calibrated when the power switch is turned on. If treadmill recovers to normal operation, you may continue to use the treadmill. Otherwise, call the dealer for service.

MAINTENANCE CODE

CHECK LUBRICATION. Ensure the lubrication is sufficient, re-lubricate the running deck only if

needed. Remove the code by pressing the ENTER key twice.

MOVING AND STORAGE

Move the T90 treadmill according to the following instructions: turn off the power switch and unplug the power cord from the wall and the treadmill. Stand behind the treadmill and take hold of the aluminium profile at the rear end of the treadmill. Tilt the rear end of the equipment so that it rests on the transportation wheels, and move the equipment by wheeling. Lower the treadmill carefully onto the floor.

NOTE! Transport the treadmill with extreme caution over uneven surfaces, for example over a step. The treadmill should never be transported upstairs using the wheels over the steps, instead it must be carried. We recommend that you use a protective base when transporting the equipment. The running belt needs to be realigned and centered after moving.

To prevent malfunctioning of the treadmill, store it in a dry place with as little temperature variation as possible, protected against dust. Always unplug the treadmill from the electrical outlet when not in use.

TECHNICAL DATA

Length	214 cm
Height	143 cm
Width	91 cm
Weight	126 kg
Running surface	52 x 158 cm
Speed	0,3-18,0 km/h / 0,2-11 mph
Elevation range	0-12 %
Motor	3,5 HP

T90 treadmill meets the requirements of the EU's EMC Directives on electromagnetic compatibility (89/336/EEC) and electrical equipment designed for use within certain voltage limits (73/23/EEC). This product therefore carries the CE label. T90 treadmill meets EN precision and safety standards (Class SA, EN-957, parts 1 and 6).

Due to our continuous policy of product development, Tunturi reserves the right to change specifications without notice.

CAUTION! The instructions must be followed carefully in the assembly, use and maintenance of your equipment. The warranty does not cover damage due to negligence of the assembly, adjustment and maintenance instructions described herein. Changes or modifications not expressly approved by Tunturi Oy Ltd will void the user's authority to operate the equipment!

We wish you many enjoyable trainings with your new Tunturi training partner!

INHALT

MONTAGE.....	13
(Verlängerte handläufe).....	100
ALLGEMEINES ZUM TRAINING	14
HERZFREQUENZ.....	15
COCKPIT.....	16
WAHL DER TRAININGSEINHEIT	18
WARTUNG	23
BETRIEBSSTÖRUNGEN.....	24
FEHLERMELDUNGEN	24
TRANSPORT UND AUFBEWAHRUNG	25
TECHNISCHE DATEN	25

WICHTIGE SICHERHEITSHINWEISE

Dieses Handbuch ist ein wesentlicher Bestandteil Ihres Trainingsgerätes. Lesen Sie es bitte sorgfältig durch, bevor Sie Ihr Trainingsgerät montieren, mit ihm trainieren oder es warten. Bitte bewahren Sie dieses Handbuch auf; es wird Sie jetzt und zukünftig darüber informieren, wie Sie Ihr Gerät benutzen und warten. Befolgen Sie diese Anweisungen immer sorgfältig.

Ihr Heimtrainer wurde für das Heimtraining und für die leichte kommerzielle Nutzung entwickelt. Sowohl Tunturi, als auch seine nationalen Vertretungen übernehmen keine Haftung für Verletzungen oder Geräteschäden, die sich bei Einsatz in gewerblichen Fitnesscentern, Sportvereinen und vergleichbaren Einrichtungen ergeben. Für Schäden, die durch Missachtung der in diesem Handbuch beschriebenen Montage-Einstellungs- und Wartungsinstruktionen entstehen, besteht kein Garantieanspruch!

- Das Gerät nur an geerdete Schukosteckdosen anschließen und zum Anschluss kein Verlängerungskabel verwenden. Schwankungen in der Netzspannung von mehr als 10 Prozent können zu Fehlfunktionen des Gerätes führen und die Elektronik beschädigen. Die Leistungsaufnahme kann maximal 10 A betragen. Die Garantie erlischt, wenn das Gerät nicht diesen Anleitungen entsprechend angeschlossen wird.
- Modifikationen an Steckdosen und Netzkabel dürfen nur von Fachkräften durchgeführt werden, die mit der Wartung von elektromechanischen Geräten vertraut sind und eine gültige Genehmigung für die Durchführung derartiger Wartungs- und Reparaturarbeiten haben.
- Suchen Sie vor dem Trainingsbeginn einen Arzt auf, der Ihren Gesundheitszustand feststellt.
- Bei Übelkeit, Schwindelgefühl oder anderen ungewöhnlichen Symptomen während des Trainings, beenden Sie Ihre Übung und suchen Sie einen Arzt auf.
- Keine anderen als die in dieser Gebrauchsanweisung beschriebenen Wartungsmassnahmen und Einstellungen vornehmen. Vor Montage- und Reparaturarbeiten das Gerät ausschalten und den Netzstecker ziehen.
- Das Gerät darf nicht von Personen benutzt

werden, deren Gewicht über 150 kg liegt.

- Nähere Informationen zur Garantie auf Ihr Fitnessgerät finden Sie im dem Gerät beiliegenden Garantieheft. Sowohl Tunturi, als auch seine nationalen Vertretungen übernehmen keine Haftung für Verletzungen oder Geräteschäden, die sich bei Dauereinsatz in gewerblichen Fitnesscentern, Sportvereinen und vergleichbaren Einrichtungen ergeben. Für Schäden, die durch Missachtung der beschriebenen Einstellungs- und Wartungsanweisungen entstehen, besteht kein Garantie-Anspruch!

HERZLICH WILLKOMMEN IN DER WELT DES TRAINIERENS MIT TUNTURI!

Durch Ihren Kauf haben Sie bewiesen, dass Ihnen Ihre Gesundheit und Ihre Kondition viel wert sind; auch haben Sie gezeigt, dass Sie Qualität zu schätzen wissen. Mit einem Tunturi-Fitnessgerät haben Sie sich für ein hochwertiges, sicheres und motivierendes Produkt als Trainingspartner entschieden. Welches Ziel Sie auch immer mit Ihrem Training verfolgen,

wir sind sicher, dass Sie es mit diesem Fitnessgerät erreichen. Hinweise zu Ihrem Trainingsgerät und zum effektiven Training damit finden Sie auf der Internetseite von Tunturi **WWW.TUNTURI.COM**.

MONTAGE

Prüfen Sie, dass folgende Teile vorhanden sind:

VERPACKUNG 1/3

1. Laufunterlage
2. Netzkabel

VERPACKUNG 2/3

3. Vorderstangen
4. Mit Cockpit kombinierte Handstütze
5. Montagezubehör (der Inhalt steht mit * auf der Ersatzteilliste): Bewahren Sie die Montageteile sorgfältig auf, denn Sie können sie später u.a. zur Justierung benötigen

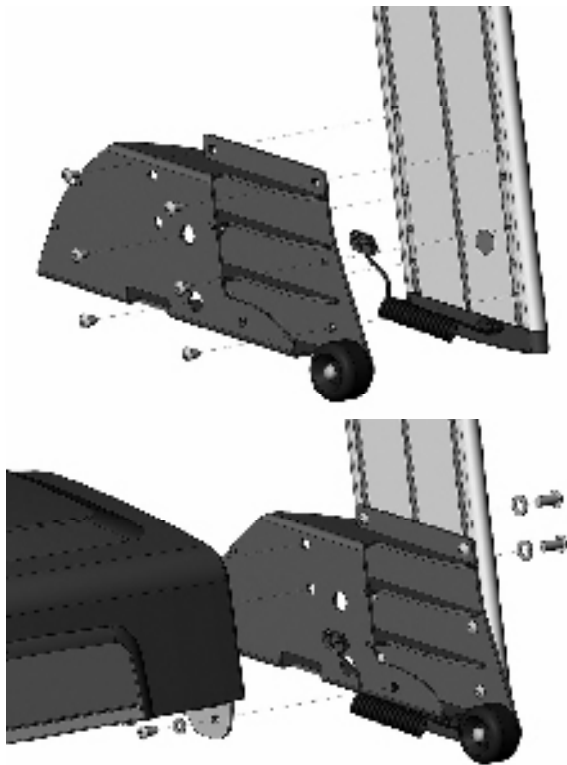
VERPACKUNG 3/3

6. Verlängerte handläufe (montage: seite 100)

Die Richtungsangaben rechts, links, vorne, hinten gehen von der Blickrichtung beim Training aus. In Problemfällen wenden Sie sich bitte mit der Typenbezeichnung und der Seriennummer des Gerätes an Ihren Händler. Der Silikatbeutel verhindert die Feuchtigkeitsbildung während der Lagerung. Er wird nach dem Auspacken nicht mehr benötigt. Wir empfehlen, dass Sie das Gerät mit mindestens einer weiteren erwachsenen Person montieren. Das Gerät wie folgt montieren:

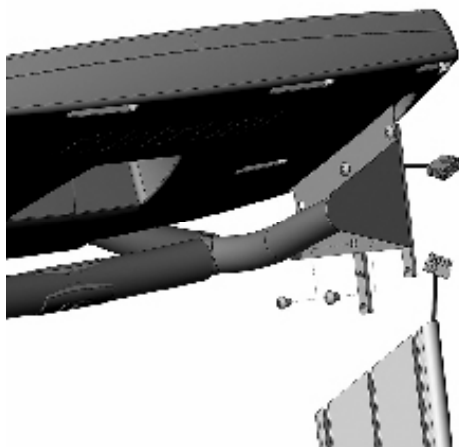
Öffnen Sie beide Verpackungen und entfernen Sie die Schutzteile aus Styropor.

VORDERSTANGEN



Bringen Sie die Befestigungsstücke der Vorderstangen an den unteren Enden der Vorderstangen an. Beide Befestigungsstücke werden mit sechs Sechser-Hohlschrauben (A) befestigt. Ziehen Sie Schrauben fest an. **BITTE BEACHTEN!** Die Vorderstange und das Befestigungsstück für die linke Seite unterscheiden Sie von dem runden, roten Aufkleber. Befestigen Sie dann die beiden Vorderstangen an der Laufunterlage mit jeweils zwei Sechser-Hohlschrauben (B) und Unterlegscheiben (C) sowie mit einer Sechser-Hohlschraube (D) und einer Unterlegscheibe (E). Vermeiden Sie eine Beschädigung des aus der linken Vorderstange kommenden Kabels. **BITTE BEACHTEN!** Ziehen Sie bitte die Schrauben erst dann fest an, wenn Sie die Handstütze und das Cockpit angebracht haben.

HANDSTÜTZE UND COCKPIT



Halten Sie die seitlich an den Handstützen befindlichen Verbindungsstücke so nach

unten, dass Sie jedes Verbindungsstück mit der Befestigungsschraube (F) durch die unteren Verbindungslöcher der Handstützen befestigen können. Schrauben Sie in dieser Arbeitsphase die Verbindungsstücke möglichst lose fest. Bitte die Schrauben an den Verbindungsstücke nicht entfernen.

Setzen Sie die mit dem Cockpit kombinierten Handstützen so auf die Vorderstangen, dass die sich seitlich der Handstützen befindlichen Verbindungshülsen in die Vertiefungen der Vorderstangen passen. Verbinden Sie das aus der linken Handstütze kommende Kabel mit der Buchse des Cockpits und schieben Sie dann das Kabel in die Handstütze. Drücken Sie nun die mit dem Cockpit kombinierten Handstützen auf den Vorderstangen fest und ziehen Sie alle Sechser-Hohlschrauben der Verbindungsstücke an.

Achten Sie bitte darauf das Handpuls kabel nicht zu beschädigen: Das Kabel wird durch die mittlere Kerbe der Vorderstangen geführt. Ziehen Sie jetzt die Befestigungsschrauben der Vorderstangen fest. Entfernen Sie die Schutzfolie von der Anzeige.

Verbinden Sie das aus der linken Handstütze kommende Kabel mit dem Anschluss an der linken Seite unter der Laufunterlage. Das Anschließen geht leichter, wenn Sie das Laufband leicht auf die rechte Seite kippen.

SICHERHEITSSCHLÜSSEL

Der Laufbandtrainer funktioniert nur, wenn der Sicherheitsschlüssel ordnungsgemäss im Schloss steckt. Das Laufband bleibt automatisch stehen, sobald sich der Sicherheitsschlüssel nicht mehr im Schloss links am Cockpit befindet. Die Schnur des Sicherheitsschlüssels mit Hilfe des Clips an der Kleidung befestigen und den Sicherheitsschlüssel ins Schloss stecken. Sicherstellen, dass der Clip an der Schnur des Sicherheitsschlüssels gut an Ihrer Kleidung befestigt ist. Bei Zug sollte sich der Clip nicht von Ihrer Kleidung lösen, sondern der Sicherheitsschlüssel aus dem Schloss gezogen werden.

NETZKABEL

Das Netzkabel am Laufbandtrainer neben dem Netzschalter befindliche Buchse einstecken. Bevor Sie das Gerät an das Stromnetz anschliessen, stellen Sie sicher, dass die Voltzahl Ihres Stromnetzes mit der auf dem Typenschild übereinstimmt. Schalten Sie den Strom für das Gerät mit dem neben dem Stecker befindlichen Stromschalter ein. **BITTE BEACHTEN!** Das Gerät darf nur an eine geerdete Steckdose angeschlossen werden. Verwenden Sie keine Verlängerungsschnur, um das Gerät mit einer Steckdose zu verbinden.

ALLGEMEINES ZUM TRAINING

Vor Beginn des Trainings sollte man sich sorgfältig mit den Funktionen und der Handhabung des motorisierten Laufbandes vertraut gemacht haben.

Trainieren mit einem Laufband ist eine ausgezeichnete aerobe Trainingsform, d.h. das Training ist zwar leicht, erfordert aber eine längere Trainingsdauer. Das aerobe Training basiert auf einer Verbesserung der max. Sauerstoffaufnahme-fähigkeit, was zu einer Steigerung von Kondition und Ausdauer führt. Die Fähigkeit des Körpers, Fett zu verbrennen, hängt direkt von der Fähigkeit des Körpers ab, Sauerstoff zu transportieren.

Aerobes Training ist vor allem angenehm. Man sollte zwar schwitzen, aber der Puls darf nicht unangemessen ansteigen. Auf diese Weise hält man länger durch. Die empfohlene Trainingslänge beträgt drei Mal die Woche 30–60 Minuten – je nach Zielen, Kondition und Möglichkeiten.

Falls Sie auf dem Gehgeschwindigkeitsniveau trainieren möchten, können Sie den Abwechslungs- und Beanspruchungsgrad Ihrer Leistungen durch Veränderung des Anstiegswinkels Ihrer Laufunterlage steigern. Sie können Ihr Gehtraining auch dadurch vielseitiger gestalten, indem Sie gleichzeitig Ihre Armmuskeln mit kleinen Hanteln trainieren. Denken Sie dabei bitte an Ihr Gleichgewicht und an andere Sicherheitsfaktoren.

Hinweise zu Ihrem Trainingsgerät und zum effektiven Training damit finden Sie auf der Internetseite von Tunturi WWW.TUNTURI.COM.

FÜR DIE TRAININGSUMGEBUNG

- Dieses Gerät darf nur in Innenräumen benutzt werden; es ist nicht für den Einsatz in Feuchträumen vorgesehen.
- Stellen Sie das Gerät auf einen sicheren, ebenen Untergrund. Darauf achten, dass der Bereich neben und vor (mindestens 100 cm) und hinter (mindestens 100x200 cm) dem Laufbandtrainer frei ist. Sorgen Sie auch dafür, dass keine Kinder oder Haustiere in diesen Bereich kommen können, solange das Gerät in Betrieb ist.
- Es wird empfohlen, das Gerät auf eine Schutzmatte zu stellen.
- Vergewissern Sie sich, dass der Trainingsraum ausreichend belüftet ist. Um Erkältungen zu vermeiden, trainieren Sie nicht an einem zugigen Ort.

FÜR DEN GEBRAUCH

- Falls Sie Kinder an das Trainingsgerät lassen, müssen Sie deren geistige und körperliche Entwicklung und vor allem deren Temperament berücksichtigen, sie gegebenenfalls beaufsichtigen und sie vor allem auf die richtige Benutzung des Gerätes hinweisen.
- Das Gerät kann immer nur von einer Person

benutzt werden.

- Lassen Sie ein laufendes Laufband nie unbeaufsichtigt.
- Tragen Sie während des Trainings angemessene Kleidung und Schuhe.
- Das Gerät darf nicht benutzt werden, falls es nicht völlig funktionstauglich ist.

TRAINING BEGINNEN

- Zur Vermeidung von Muskelkater Aufwärmtraining (langsames Joggen oder Gehen) und Dehnübungen nicht vergessen.
- Mit gegrätschten Beinen auf die Seitenränder des Laufbandtrainers stellen. Das Gerät nie auf dem Laufband stehend in Bewegung setzen.
- Beginnen Sie Ihr Training mit einer langsamen Geschwindigkeit und steigern Sie dann Geschwindigkeit bzw. Steigungswinkel gradweise je nach Ihrer Kondition und wie Sie sich gerade fühlen.
- Zum Auf- und Absteigen und bei der Bedienung der Tastatur immer an den Handläufen festhalten. Nie vom laufenden Laufband abspringen!
- Halten Sie Rücken und Nacken gerade, so vermeiden Sie Verspannungen und Schmerzen in Nacken, Schultern und Rücken. Laufen Sie möglichst immer in der Mitte des Laufbandes und halten Sie einen solchen Abstand zum Cockpit, dass dieses Ihr Laufen nicht stört, Sie es aber trotzdem leicht erreichen.
- Sollten während Ihres Trainings Funktionsstörungen am Gerät auftreten, halten Sie sich bitte an den Handstützen fest und stellen sich sofort breitbeinig auf die Seitenplatten der Laufunterlage. Stellen Sie das Laufband ab und sehen Sie in der Anleitung unter „Funktionsstörungen“ nach.
- Bei Übelkeit, Schwindelgefühl oder anderen ungewöhnlichen Symptomen während des Trainings, beenden Sie Ihre Übung und suchen Sie einen Arzt auf.

TRAINING BEENDEN

- Beenden Sie nicht abrupt Ihr Training, sondern fahren Sie schrittweise Ihre Geschwindigkeit zurück. Bitte vergessen Sie nicht das Stretching nach Beendigung des Trainings.
- Den Sicherheitsschlüssel immer abziehen.
- Das Gerät ausschalten.
- Das Netzkabel sowohl aus der Steckdose als auch aus der Buchse am Laufbandtrainer ziehen und an einem sicheren Ort, vor Kinderhand geschützt, aufbewahren.
- Das Gerät mit einem leicht angefeuchteten Wischtuch von eventueller Feuchtigkeit befreien. Keine Lösungsmittel verwenden!

HERZFREQUENZ

Egal, welches Ziel Sie erreichen wollen, die besten Resultate erzielen Sie mit einem Training auf dem richtigen Leistungsniveau, und das beste Mass ist dabei Ihre eigene Herzfrequenz.

PULSMESSUNG DURCH HANDSENSOREN

Die Pulsmessung beim T90 geschieht durch Fühler in den Handstützen, die immer dann den Puls messen, wenn der Gerätebenutzer beide Sensoren gleichzeitig berührt. Die Voraussetzung für eine verlässliche Pulsmessung liegt darin, dass die Haut etwas feucht und in ständiger Berührung mit den Sensoren ist. Eine zu trockene oder zu feuchte Haut vermindert die Funktionstüchtigkeit der Handpulsmessung. Bitte berücksichtigen Sie, dass, falls Sie während des Trainings besonders heftig auf dem Laufband auftreten, dies Störungen verursachen kann, die ihrerseits die Zuverlässigkeit der Handpulsmessung beeinträchtigen können. Um die Funktionssicherheit zu gewährleisten, empfehlen wir daher eine Pulsmessung nur für ein Training bei Gehgeschwindigkeit oder wenn Sie das Laufband anhalten bzw. auf den Seitenplatten des Laufbands stehen bleiben. **BITTE BEACHTEN!** Eine zuverlässige Pulsmessung erfordert, dass die Pulsmessung zuerst 8 Sekunden getestet wird.

TELEMETRISCHE HERZFREQUENZMESSUNG

Als zuverlässigste Art der Herzfrequenzmessung hat sich die drahtlose Herzfrequenzabnahme erwiesen, bei der die Herzschläge mit einem Elektrodengurt von der Brust abgenommen werden. Vom Gurt werden die Impulse danach über ein elektromagnetisches Feld an den Empfänger in der Elektronikanzeige übertragen.

BITTE BEACHTEN! Falls Sie einen Herzschrittmacher tragen, lassen Sie sich von Ihrem Arzt bestätigen, dass Sie die drahtlose Herzfrequenzmessung benutzen können.

Zur drahtlosen Herzfrequenzmessung während des Trainings die gegen die Haut kommenden Elektroden am Elektrodengurt sorgfältig mit Wasser oder Speichel anfeuchten. Wird der Elektrodengurt über einem dünnen Hemd getragen, sind die gegen die Elektroden gerichteten Flächen ebenfalls zu befeuchten. Den Sender mit Hilfe des Gurtes fest unterhalb der Brustmuskulatur befestigen und darauf achten, dass der Gurt beim Training nicht verrutscht. Den Elektrodengurt jedoch nicht so festziehen, dass z. B. die Atmung erschwert wird. Der Sender kann den Pulswert bis zu einer Entfernung von zirka 1 m an den Empfänger übertragen.

Bei trockenen Elektroden wird kein Herzfrequenzwert angezeigt. Ggf. Elektroden wieder anfeuchten. Für eine zuverlässige Herzfrequenzmessung müssen die Elektroden auf Körpertemperatur angewärmt sein. Sind mehrere drahtlose Herzfrequenzmessgeräte gleichzeitig eingesetzt, sollten sie mindestens 1,5 m voneinander entfernt sein. Werden nur ein Herzfrequenzempfänger, aber mehrere Sender eingesetzt, darf sich nur eine Person, die einen Herzfrequenzsender trägt, während der Herzfrequenzmessung innerhalb der Reichweite des Senders befinden. Der Sender schaltet sich aus, wenn der Elektrodengurt abgenommen wird.

Er kann jedoch durch Feuchtigkeit neu aktiviert werden, was die Lebensdauer der Batterie verkürzt. Deswegen ist es wichtig, den Sender nach dem Training sorgfältig zu trocknen.

Achten Sie bei Ihrer Trainingskleidung darauf, dass bestimmte für Kleidungsstücke verwendete Fasern (z.B. Polyester, Polyamid) statische elektrische Ladungen verursachen, die ein Hindernis für eine zuverlässige Herzfrequenzmessung sein können. Beachten Sie auch, dass durch Handys, Fernsehgeräte und andere elektrische Geräte elektromagnetische Felder entstehen, die Probleme bei der Herzfrequenzmessung verursachen können.

Ermitteln Sie zuerst Ihre maximale Herzfrequenz. Wenn Sie diese nicht kennen, orientieren Sie sich bitte an der nachfolgenden Formel:

220 - ALTER

Das Maximum unterscheidet sich von Mensch zu Mensch. Die maximale Herzfrequenz verringert sich pro Jahr durchschnittlich um einen Punkt. Wenn Sie zu einer der bereits genannten Risikogruppen zählen, bitten Sie den Arzt, Ihre maximale Herzfrequenz festzustellen.

Wir haben drei Herzfrequenzbereiche definiert, die Sie bei Ihrem zielgerichteten Training unterstützen.

ANFÄNGER: 50-60 % der maximalen Herzfrequenz

Sie ist ausserdem für Übergewichtige und Rekonvaleszenten geeignet sowie für diejenigen, die seit langem nicht mehr trainiert haben. Drei Trainingseinheiten pro Woche von jeweils einer halben Stunde Dauer sind angemessen. Regelmässiges Training verbessert die Leistungsfähigkeit der Atmungs- und Kreislauforgane ganz entscheidend.

FORTGESCHRITTENE: 60-70 % der maximalen Herzfrequenz

Perfekt geeignet zur Verbesserung und Erhaltung der Fitness. Damit stärken Sie Ihr Herz und Ihre Lungen mehr, als auf dem Anfängerniveau. Wir empfehlen mindestens 3 Trainingseinheiten pro Woche mit jeweils mindestens 30 Minuten. Wenn Sie Ihr Fitnessniveau noch weiter erhöhen möchten, trainieren Sie häufiger oder intensiver, aber nicht beides zugleich.

AKTIVE SPORTLER: 70-80 % der maximalen Herzfrequenz

Das Training auf diesem Niveau ist nur für durchtrainierte Sportler geeignet und setzt ein Langzeit-Ausdauertraining voraus.

COCKPIT

FUNKTIONSTASTEN

START

Beginnen Sie mit der gewählten Trainingseinheit.

TASTEN ZUR GESCHWINDIGKEITSKONTROLLE (HASE / SCHILDKRÖTE)

Mit der Hasentaste wird die Laufgeschwindigkeit in 0,1 km/h-Intervallen erhöht, mit der Schildkrötentaste in 0,1 km/h-Intervallen reduziert. Längeres Drücken der Tasten beschleunigt die Geschwindigkeitsänderung. Der Geschwindigkeitsbereich liegt zwischen 0,3-18,0 km/h / 0,2-11 mph.

TASTEN ZUR NEIGUNGSKONTROLLE

Durch Drücken der Taste zum Anheben der Neigung können Sie den Neigungswinkel des Laufbandes in Stufen von 0,5 % erhöhen, durch Drücken der Taste zum Verringern der Neigung wiederum verringern Sie die Neigung in Stufen von 0,5 %. Der Neigungswinkel kann zwischen 0 % (horizontal) und 12 % eingestellt werden.

PFEILTASTEN

Bei den Benutzereinstellungen verändern Sie Einstellwerte mithilfe der Pfeiltasten. Im HRC-Modus können Sie den eingegebenen Pulswert während des Trainings mithilfe der Pfeiltasten verändern. In den Trainingsprogrammen können Sie das Anspruchsniveau mithilfe der Pfeiltasten skalieren. Durch Druck auf die "Pfeil oben" erhöhen Sie das Anspruchsniveau, durch Druck auf die "Pfeil unten" verringern Sie es.

STOP / PAUSE / RESET

Durch einmaliges Drücken der STOP-Taste bleibt das Laufband stehen und geht in einen 5 Minuten dauernden Wartemodus über. Vor Ablauf von 5 Minuten können Sie die unterbrochene Trainingseinheit durch Drücken der START-Taste wieder aufnehmen. Durch erneutes Drücken der STOP-Taste beenden Sie das Training.

SELECT

Vor Betätigung der START-Taste können Sie mit der SELECT-Taste einen Trainingsmodus wählen. Während des Trainings können Sie mit der SELECT-Taste die gewünschte Profilanzeige wählen.

ENTER

Bestätigen Sie Ihre Wahl (Trainingsmodus oder -programm, Benutzereinstellungen).

SET

Durch Drücken der SET-Taste können Sie die Gerätfunktionen einstellen und kontrollieren.

SPEED

Wenn Sie das Manual-Trainingsprogramm gestartet haben, können Sie durch Drücken der SPEED-Taste die Geschwindigkeit schneller einstellen. Beim

ersten Drücken steigt die Geschwindigkeit auf 5.4 km/h, beim zweiten Mal auf 7.2 km/h und beim dritten Mal auf 9.6 km/h. Danach regulieren Sie mit der Taste die Geschwindigkeit in den gleichen Stufen nach unten.

COOL DOWN

Durch Drücken der COOL DOWN-Taste beginnen Sie eine vorprogrammierte, fünf Minuten lange Auslaufphase, an deren Ende das Laubband stehen bleibt. Bei den vorprogrammierten Trainingsprogrammen beginnt die Auslaufphase automatisch nach Beendigung des Profils.

T-WARE PROGRAM

Dieses Gerät ist mit dem T-Ware Fitnesstest- und Kontrollprogramm kompatibel. Hinweise zum T-Ware und zum effektiven Training damit finden Sie auf der Internetseite von Tunturi WWW.TUNTURI.COM.

ANZEIGEN

HEART RATE (Herzfrequenz)

45-220 bpm. Die Herzfrequenzlampe blinkt stets, wenn das Messgerät ein Frequenzsignal empfängt.

KCAL (Energieverbrauch)

0-9999 kcal, in Intervallen von 1 kcal

ELEVATION (Steigungswinkel)

0-12 %, in Intervallen von 0,5 %

TIME (Trainingszeit)

Anzeige mit Sekundengenauigkeit 00:00-99:59, danach mit Minutengenauigkeit h1:40 - h9:59.

DISTANCE (Strecke)

0.00-99.99 km, in Intervallen von 0,01 km. Die Signallampe bezeichnet die gewählte Maßeinheit (km, Meilen).

SPEED (Laufbandgeschwindigkeit)

0,3-18,0 km/h / 0,2-11 mph in Intervallen von 0,1 km/h. Die Signallampe bezeichnet die gewählte Maßeinheit (km/h, mph (miles per hour), pace (Schritt), bzw. Minuten/Kilometer).

GRAFIK/TEXTANZEIGE

Die grafische Anzeige gibt detaillierte Informationen über das jeweilige Trainingsprofil. Das Textfeld führt durch den Trainingsablauf und gibt Anleitungen auf English während des Trainings.

GERÄTEINSTELLUNGEN

1. Bestätigen Sie die SET-Taste.
2. Stellen Sie die Masseinheiten ein (Metric = metrisches System, Imperial = englische Masseinheiten); verändern Sie die Einstellungen mit den Pfeiltasten. Bestätigen Sie den eingegebenen Wert mit der ENTER-Taste, wonach Sie zur nächsten Einstellung gelangen.
3. Geben Sie Ihr Gewicht ein. Ändern Sie die Einstellungen mit der Pfeiltaste, bestätigen Sie den

einggegebenen Wert mit der ENTER-Taste, worauf Sie zur nächsten Einstellung gelangen: Die Angaben werden zur Einschätzung des Energieverbrauchs benötigt.

4. Eingabe des Geschlechts (Male = Mann, Female = Frau). Ändern Sie die Einstellungen mit der Pfeiltaste, bestätigen Sie den eingegebenen Wert mit der ENTER-Taste, worauf Sie zur nächsten Einstellung gelangen: Die Angaben werden zur Einschätzung des Energieverbrauchs benötigt.

5. Geben Sie das Alter des Benutzers ein; verändern Sie die Einstellungen mit den Pfeiltasten, bestätigen Sie den eingestellten Wert mit der ENTER-Taste, worauf Sie zur nächsten Einstellung gelangen: Die Angaben werden zur Einschätzung des Energieverbrauchs benötigt.

6. Schalten Sie die Verwendung der Tonsignale ein (ON = Tonsignale werden verwendet, OFF = Tonsignale werden nicht verwendet); verändern Sie die Einstellungen mit den Pfeiltasten, bestätigen Sie den eingestellten Wert mit der ENTER-Taste, worauf Sie zur nächsten Einstellung gelangen.

BITTE BEACHTEN! Bei den Trainingsprofilen zeigt das Cockpit mit einem Signalton im Voraus die Änderungen im Profil an.

7. Geben Sie die für die Anzeige gewünschte Maßeinheit ein (km/h, min/km (PACE), mph, min/mile (PACE)). Ändern Sie die Einstellungen mit der Pfeiltaste, bestätigen Sie den eingegebenen Wert mit der ENTER-Taste, worauf Sie zur nächsten Einstellung gelangen. **BITTE BEACHTEN!** Die jeweilige Maßeinheit können Sie auch während des Trainings bestimmen: bestätigen Sie die SET-Taste einmal und ändern Sie die Einstellungen mit der Pfeiltaste, bestätigen Sie den eingegebenen Wert mit der ENTER-Taste, worauf Sie zurück zum Training gelangen.

8. Mit Hilfe der Pfeiltasten geben Sie die Spitzengeschwindigkeit des Laufbands für die herzfrequenzgesteuerten Trainingsphasen ein: in diesen Phasen wird die Geschwindigkeit auf Grund der Herzfrequenz des Benutzers geregelt und kann ohne eine vorgegebene Spitzengeschwindigkeit zu schnell für das Training werden. Der vorgegebene Wert für die Spitzengeschwindigkeit beträgt 12 km/h. Ändern Sie die Einstellungen mit der Pfeiltaste. Mit der ENTER-Taste gelangen Sie zur nächsten Anzeige.

9. Aus der Anzeige TOTAL TIME ersehen Sie die Gesamtlaufzeit des Laufbandes. Mit der ENTER-Taste gelangen Sie zur nächsten Anzeige.

10. Aus der Anzeige TOTAL DISTANCE ersehen Sie die Gesamtlaufstrecke des Laufbandes. Die Geräteeinstellungen verlassen Sie mit der ENTER-Taste.

WAHL DER TRAININGSEINHEIT

Drücken Sie die SELECT-Taste bis die Signallampe bei der gewünschten Trainingseinheit leuchtet. Es stehen zur Auswahl:

1. Das Manual-Training, bei dem Sie während des Trainings selbst die Geschwindigkeit und den Neigungswinkel wählen,

2. Das herzfrequenzgesteuerte HRC-Training, bei dem das Laufband die Geschwindigkeit / Neigung in der Weise steuert, dass Sie ständig auf dem von Ihnen gewählten Herzfrequenzniveau trainieren; herzfrequenzgesteuerte Profile erfordern stets die Verwendung eines Herzfrequenzmessgurts,

3. Konditionstest: Das Laufband bietet Ihnen zwei alternative Tests, den 2-km-Gehtest oder den zwölfminütigen Cooper-Lauftest.

4. Vorprogrammierte Trainingsprogramme, bei denen die Geschwindigkeit / Neigungswinkel oder Frequenzniveau in einer im Voraus festgelegten Weise wechseln.

P1: MANUAL-TRAINING

Schnellstart:

1. Das Manual-Training ist die Voreinstellung des Laufbandes. Sie können das Training direkt durch Druck auf die Start-Taste beginnen.

Beginn durch Auswahl eines Programms:

2. Drücken Sie die SELECT-Taste, bis die Manual-Signallampe aufleuchtet. Drücken Sie die ENTER-Taste zur Bestätigung Ihrer Wahl.

3. Drücken Sie die START-Taste; das Laufband setzt sich mit einer Geschwindigkeit von 1,5 km/h in Bewegung. Sie können die Geschwindigkeit mit den Hase-/Schildkrötetasten und mit der SPEED-Taste verändern. Sie können die Laufbandneigung mit den Tasten zur Neigungskontrolle verändern.

4. Die Profilanzeige speichert im Minutenabstand die Geschwindigkeitsdaten des Trainings. Nach 20 Minuten verschiebt sich die Anzeige in der Weise nach links, dass jeweils die Geschwindigkeitsdaten der letzten 20 Minuten angezeigt werden. Bei Drücken der SELECT-Taste während des Trainings zeigt das Textfeld die gesammelten Geschwindigkeits-, Steigungs-, Puls- und Laufbahn-Trainingsprofile an.

5. Durch einmalige Betätigung der STOP-Taste bleibt das Laufband stehen und geht in einen 5 Minuten dauernden Wartezustand über. Während dieser Zeit können Sie das unterbrochene Training durch Betätigung der START-Taste fortsetzen. Durch zweimaliges Drücken der STOP-Taste beenden Sie das Trainingsprogramm, worauf das Cockpit Ihre absolvierte Leistung anzeigt und auf die Startposition zurück springt.

P2: HERZFREQUENZGESTEUERTES TRAINING

Trainingseinheiten mit konstanter Herzfrequenz ermöglichen das Training mit einem zuvor gewählten Frequenzniveau. Herzfrequenzgesteuerte Profile setzen stets die Verwendung eines Herzfrequenzmessgurts. Wenn die Herzfrequenzmessung nicht gelingt, erscheint im Textfeld die Fehleranzeige CHECK TRANSMITTER. Vergewissern Sie sich dann, dass Sie die Hinweise zum Gebrauch des Messgurts befolgt haben.

1. Drücken Sie die SELECT-Taste, bis die HRC-Signallampe aufleuchtet. Drücken Sie die ENTER-Taste zur Bestätigung Ihrer Wahl.

2. Wählen Sie mit den Pfeiltasten ein herzfrequenzgesteuertes Profil:
A) Speed (Tempo): Die Kontrolle des Frequenzniveaus geschieht durch die Veränderung der Laufbandgeschwindigkeit. Falls gewünscht, kann der Steigungswinkel während der Training verändert werden.

B) Elev (Steigung): Die Kontrolle des Frequenzniveaus erfolgt durch die Veränderung der Laufflächensteigung. Bei dieser Trainingsweise regeln Sie die Trainingsform regeln Sie selbst die Geschwindigkeit des Laufbandes mit der SPEED-Taste oder mit der Hasen- und Schildkrötentaste

C) Combi (Kombination): Die Kontrolle des Herzfrequenzniveaus beruht auf der automatischen, gleichmässigen Veränderung des Laufflächensteigungswinkels und der Laufgeschwindigkeit.

3. Drücken Sie die ENTER-Taste zur Bestätigung Ihrer Wahl.

4. Stellen Sie den gewünschten Herzfrequenzwert (80-180) mit den Pfeiltasten und bestätigen Sie den Wert mit der ENTER-Taste.

5. Beginnen Sie mit dem Programm durch Betätigung der START-Taste. Während des Trainings können Sie das Frequenzniveau mit Hilfe der Pfeiltasten verändern.

6. Die Profilanzeige speichert im Minutenabstand die Geschwindigkeitsdaten des Trainings. Nach 20 Minuten verschiebt sich die Anzeige in der Weise nach links, dass jeweils die Geschwindigkeitsdaten der letzten 20 Minuten angezeigt werden. Bei Drücken der SELECT-Taste während des Trainings zeigt das Textfeld die gesammelten Geschwindigkeits-, Steigungs-, Puls- und Laufbahn-Trainingsprofile an.

7. Durch einmalige Betätigung der STOP-Taste bleibt das Laufband stehen und geht in einen 5 Minuten dauernden Wartezustand über. Während dieser Zeit können Sie das unterbrochene Training durch Betätigung der START-Taste fortsetzen. Durch zweimaliges Drücken der STOP-Taste beenden Sie das Trainingsprogramm, worauf das Cockpit Ihre absolvierte Leistung anzeigt und auf die Startposition zurück springt.

P3: KONDITIONSTEST

Dieses Laufband bietet Ihnen zwei verschiedene Konditionsteste. Der 2-km-Gehtest ist von seiner Beanspruchung her leichter und wird in schnellem Gehtempo absolviert. Für Personen mit guter Kondition eignet sich der zwölfminütige Cooper-Lauftest besser.

1. Drücken Sie die SELECT-Taste, bis die Signallampe des Textes Test aufleuchtet. Drücken Sie die ENTER-Taste zur Bestätigung Ihrer Wahl.

2. Drücken Sie die SELECT-Taste, mit deren Hilfe können Sie zwischen dem 2-km-Gehtest und dem Cooper-Test wählen. Drücken Sie die ENTER-Taste zur Bestätigung Ihrer Wahl.

HERREN / MAXIMALE SAUERSTOFF-AUFNAHMEKAPAZITÄT (VO2MAX) 1 = SEHR SCHLECHT - 7 = SEHR GUT							
ALTER	1	2	3	4	5	6	7
18-19	<33	33-38	39-44	45-51	52-57	58-63	>63
20-24	<32	32-37	38-43	44-50	51-56	57-62	>62
25-29	<31	31-35	36-42	43-48	49-53	54-59	>59
30-34	<29	29-34	35-40	41-45	46-51	52-56	>56
35-39	<28	28-32	33-38	39-43	44-48	49-54	>54
40-44	<26	26-31	32-35	36-41	42-46	47-51	>51
45-49	<25	25-29	30-34	35-39	40-43	44-48	>48
50-54	<24	24-27	28-32	33-36	37-41	42-46	>46
55-59	<22	22-26	27-30	31-34	35-39	40-43	>43
60-65	<21	21-24	25-28	29-32	33-36	37-40	>40
DAMEN / MAXIMALE SAUERSTOFF-AUFNAHMEKAPAZITÄT (VO2MAX) 1 = SEHR SCHLECHT - 7 = SEHR GUT							
ALTER	1	2	3	4	5	6	7
18-19	<28	28-32	33-37	38-42	43-47	48-52	>52
20-24	<27	27-31	32-36	37-41	42-46	47-51	>51
25-29	<26	26-30	31-35	36-40	41-44	45-49	>49
30-34	<25	25-29	30-33	34-37	38-42	43-46	>46
35-39	<24	24-27	28-31	32-35	36-40	41-44	>44
40-44	<22	22-25	26-29	30-33	34-37	38-41	>41
45-49	<21	21-23	24-27	28-31	32-35	36-38	>38
50-54	<19	19-22	23-25	26-29	30-32	33-36	>36
55-59	<18	18-20	21-23	24-27	28-30	31-33	>33
60-65	<16	16-18	19-21	22-24	25-27	28-30	>30

2 KM GEHTEST

Der Gehtest setzt die Verwendung eines Herzfrequenzmessgeräts voraus. Beim Gehtest wird das Konditionsniveau auf Basis der Herzfrequenz während des Gehens und der für die 2 km gebrauchten Zeit errechnet. Dem Test geht eine dreiminütige Aufwärmphase voraus. Wir empfehlen auch, nach dem Test kontinuierlich weiterzugehen, so dass Ihre Herzfrequenz allmählich zum Normalwert zurückkehrt. Auf Grund der Ergebnisse zeigt das Cockpit Ihre geschätzte maximale Sauerstoffaufnahme an.

BEGINN DES GEHTESTS:

1. Das Textfeld des Cockpits erfragt die Länge der Testperson (HEIGHT): Geben Sie mit den Pfeiltasten Ihre Länge ein. Bestätigen Sie Ihre Eingabe mit der ENTER-Taste.

2. Das Textfeld des Cockpits erfragt das Geschlecht der Testperson (SEX): Geben Sie mit den Pfeiltasten Ihr Geschlecht ein. Bestätigen Sie Ihre Eingabe mit der ENTER-Taste.

3. Das Textfeld des Cockpits erfragt das Gewicht der Testperson (WEIGHT): Geben Sie mit den Pfeiltasten Ihr Gewicht ein. Bestätigen Sie Ihre Eingabe mit der ENTER-Taste.

4. Das Textfeld des Cockpits erfragt das Alter der Testperson (AGE): Geben Sie mit den Pfeiltasten Ihr Alter ein. Bestätigen Sie Ihre Eingabe mit der ENTER-

Taste.

5. Das Textfeld des Cockpits zeigt an, dass Sie jetzt mit der dreiminütigen Aufwärmphase (WARM UP) beginnen können. Beginnen Sie die Aufwärmphase durch Drücken der START-Taste.

6. Der Steigungswinkel der Laufunterlage stellt sich automatisch auf 1 % ein, womit im Test der Windwiderstand simuliert wird. Regeln Sie die Geschwindigkeit mit Hilfe der Geschwindigkeitstasten. Wir empfehlen zum Aufwärmen eine etwas höher als durchschnittliche Gehgeschwindigkeit.

7. Während der Aufwärmphase läuft die Stoppuhr drei Minuten lang rückwärts. Zeigt die Uhr 0:00, ertönt ein Signalton und der eigentliche Test beginnt (TEST STARTED!).

VERLAUF DES GEHTESTS:

1. Ziel dieses Testes ist es, möglichst schnell eine 2 km lange Strecke zu gehen. Die Geschwindigkeit regeln Sie selbst, mit Hilfe der Geschwindigkeitstasten. Denken Sie bitte daran bei diesem Test nicht zu laufen!

2. Falls die Herzfrequenzmessung nicht funktionieren sollte, erscheint im Textfeld des Cockpits der Text CHECK TRANSMITTER. Vergewissern Sie sich dann, dass Sie die Hinweise zum Gebrauch des Messgurts befolgt haben.

3. Nach Vollenden der 2 km langen Strecke ertönt ein Signalton. Darauf beginnt die vorprogrammierte Auslaufphase von 5 Minuten, an deren Ende das Laufband stehen bleibt. Das Textfeld des Cockpits zeigt das Testergebnis als maximale Sauerstoffaufnahme-fähigkeit und eine Bewertung Ihres Konditionsniveaus an. Das Textfeld zeigt das Testergebnis als maximale Sauerstoffaufnahme-fähigkeit an.

COOPER-TEST

Beim Cooper-Test wird das Konditionsniveau auf Grund einer in zwölf Minuten gelaufenen Strecke errechnet: je länger die zurückgelegte Strecke ist, in desto besserer Kondition befinden Sie sich. Dem Test geht eine dreiminütige Aufwärmphase voraus. Wir empfehlen auch, nach dem Test kontinuierlich weiterzugehen, so dass Ihre Herzfrequenz allmählich zum Normalwert zurückkehrt. Auf Grund der Ergebnisse zeigt das Cockpit Ihre geschätzte maximale Sauerstoffaufnahme-fähigkeit an.

BEGINN DES COOPER-TESTS:

1. Das Textfeld des Cockpits zeigt COOPER SELECTED an. Drücken Sie die ENTER-Taste zur Bestätigung Ihrer Wahl.

2. Das Textfeld des Cockpits erfragt das Geschlecht der Testperson (SEX): Geben Sie mit den Pfeiltasten Ihr Geschlecht ein. Bestätigen Sie Ihre Eingabe mit der ENTER-Taste.

3. Das Textfeld des Cockpits erfragt das Alter der Testperson (AGE): Geben Sie mit den Pfeiltasten Ihr Alter ein. Bestätigen Sie Ihre Eingabe mit der ENTER-Taste.

4. Das Textfeld des Cockpits zeigt an, dass Sie jetzt mit der dreiminütigen Aufwärmphase (WARM UP) beginnen können. Beginnen Sie die Aufwärmphase

durch Drücken der START-Taste.

5. Der Steigungswinkel der Laufunterlage stellt sich automatisch auf 1 % ein, womit im Test der Windwiderstand simuliert wird. Regeln Sie die Geschwindigkeit mit Hilfe der Geschwindigkeitstasten oder der SPEED-Taste. Wir empfehlen zum Aufwärmen eine etwas höher als durchschnittliche Gehgeschwindigkeit.

6. Während der Aufwärmphase läuft die Stoppuhr drei Minuten lang rückwärts. Zeigt die Uhr 0:00, ertönt ein Signalton und der eigentliche Test beginnt (TEST STARTED!).

VERLAUF DES COOPER-TESTS:

1. Ziel des Tests ist es eine möglichst lange Strecke in zwölf Minuten zu laufen. Stellen Sie die Geschwindigkeit mit Hilfe der Tasten zur Geschwindigkeitseinstellung oder mit der SPEED-Taste ein.

2. Das Textfeld des Cockpits ermittelt das Testergebnis auf Grund der verwendeten Geschwindigkeit.

3. Nach Ablauf der zwölf Minuten ertönt ein Signalton. Darauf beginnt die vorprogrammierte Auslaufphase von 5 Minuten, an deren Ende das Laufband stehen bleibt. Das Textfeld des Cockpits zeigt das Testergebnis als maximale Sauerstoffaufnahme-fähigkeit und eine Bewertung Ihres Konditionsniveaus an.

P4-P16: VORPROGRAMMIERTE

TRAININGSPROGRAMME

Zur Sicherstellung eines vielseitigen, angenehmen und zielorientierten Trainings hat Tunturi in verschiedener Weise wirkende fertige Trainingsprogramme entwickelt. Das Anzeigegerät informiert im voraus mit einem Tonsignal über Programmveränderungen. Die Programmanzeige zeigt die Form des Programms sowie die Daten des nächsten Programmpeilers.

Das Programm P4 basiert auf der Manual-Funktion, in der Anzeige erscheint eine 400 m lange Laufbahn und Ihre Zeit wird nach jeder Runde gemessen.

1. Drücken Sie die SELECT-Taste, bis die Signallampe des gewünschten Programms (P4) aufleuchtet.

2. Drücken Sie die START-Taste; das Laufband setzt sich mit einer Geschwindigkeit von 1,5 km/h in Bewegung. Sie können die Geschwindigkeit mit den Hase-/Schildkrötetasten und mit der SPEED-Taste verändern.

3. Bei Drücken der SELECT-Taste während des Trainings zeigt das Textfeld die Geschwindigkeits-, Steigungs-, Puls- und Laufbahn-Trainingsprofile an.

4. Durch einmalige Betätigung der STOP-Taste bleibt das Laufband stehen und geht in einen 5 Minuten dauernden Wartezustand über. Während dieser Zeit können Sie das unterbrochene Training durch Betätigung der START-Taste fortsetzen. Durch zweimaliges Drücken der STOP-Taste beenden Sie das Trainingsprogramm, worauf das Cockpit Ihre absolvierte Leistung anzeigt und auf die Startposition zurück springt.

Das Programm **P5** umfasst eine Strecke von 5 km, **P6** seinerseits von 10 km. Das Steigungsprofil des Programms ist vorprogrammiert, die Geschwindigkeitseinstellung geschieht manuell. Auch das Steigungsprofil kann stufenweise verändert werden.

1. Drücken Sie die SELECT-Taste, bis die Signallampe des gewünschten Programms (P5-P6) aufleuchtet.
2. Drücken Sie die START-Taste; das Laufband setzt sich mit einer Geschwindigkeit von 1,5 km/h in Bewegung. Sie können die Geschwindigkeit mit den Hase-/Schildkrötetasten und mit der SPEED-Taste verändern.
3. Sie können das Steigungsprofil mit Hilfe der Pfeiltasten stufenweise verändern.
4. Durch einmalige Betätigung der STOP-Taste bleibt das Laufband stehen und geht in einen 5 Minuten dauernden Wartezustand über. Während dieser Zeit können Sie das unterbrochene Training durch Betätigung der START-Taste fortsetzen. Durch zweimaliges Drücken der STOP-Taste beenden Sie das Trainingsprogramm, worauf das Cockpit Ihre absolvierte Leistung anzeigt und auf die Startposition zurück springt.
5. Nach Beendigung des Programms beginnt die vorprogrammierte Auslaufphase, an deren Ende das Laufband stehen bleibt.

Die Programme **P7** und **P8** basieren auf der Herzfrequenzsteuerungsfunktion. Das Programm **P7** dauert 15 Minuten und ist speziell als Aufwärmprogramm für andere Trainingsformen konzipiert. Das Programm **P8** dauert 30 Minuten und ist als aerobes Grundtraining konzipiert. Die herzfrequenzgesteuerten Profile setzen jeweils die Verwendung eines Herzfrequenzmessgurts voraus. Wenn die Herzfrequenzmessung nicht gelingt, erscheint im Textfeld die Fehleranzeige CHECK TRANSMITTER. Vergewissern Sie sich dann, dass Sie die Hinweise zum Gebrauch des Messgurts befolgt haben.

1. Drücken Sie die SELECT-Taste, bis die Signallampe des gewünschten Programms (P7-P8) aufleuchtet. Drücken Sie die ENTER-Taste zur Bestätigung Ihrer Wahl.
2. Wählen Sie mit den Pfeiltasten das Modus zur Herzfrequenzsteuerung.
3. Drücken Sie die START-Taste; das Training beginnt, und die Matte setzt sich in Bewegung. Sie können das Geschwindigkeitsniveau des Profils mit Hilfe der Pfeiltasten in Stufen von 1 % nach oben und unten verändern.
4. Durch einmalige Betätigung der STOP-Taste bleibt das Laufband stehen und geht in einen 5 Minuten dauernden Wartezustand über. Während dieser Zeit können Sie das unterbrochene Training durch Betätigung der START-Taste fortsetzen. Durch zweimaliges Drücken der STOP-Taste beenden Sie das Trainingsprogramm, worauf das Cockpit Ihre absolvierte Leistung anzeigt und auf die Startposition zurück springt.
5. Nach Beendigung des Programms beginnt die vorprogrammierte Auslaufphase, an deren Ende das

Laufband stehen bleibt.

Bei den Kombinationsprofilen **P9-P11** handelt es sich um vom Anforderungsgrad her unterschiedliche Trainingsprofile, bei denen Geschwindigkeit und Steigungswinkel fertig eingestellt sind. Sie können noch die Geschwindigkeit stufenweise auf das gewünschte Niveau einstellen und die Trainingsdauer in Zeit oder Strecke eingeben.

1. Drücken Sie die SELECT-Taste, bis die Signallampe des gewünschten Profils (P9-P11) aufleuchtet. Drücken Sie die ENTER-Taste zur Bestätigung Ihrer Wahl.
2. Geben Sie die Strecke bzw. Dauer des Profils ein. Durch Betätigen der SELECT-Taste gelangen Sie von dem einen Eingabewert zum nächsten. Sie können den Wert mit den Pfeiltasten verändern (Grenzwerte 10 Minuten (0:10)- 3 Stunden (h3:00), Veränderungen in Stufen zu 5 Minuten / 3 km – 42 km, Veränderungen in Stufen zu 1 km).
3. Drücken Sie die START-Taste; das Training beginnt, und die Matte setzt sich in Bewegung. Sie können das Geschwindigkeitsniveau des Profils mit Hilfe der Pfeiltasten in Stufen von 1 % nach oben und unten verändern. Bei Betätigen der SELECT-Taste während des Trainings zeigt das Textfeld die gesammelten Geschwindigkeits- und Steigungswinkelprofile an.
4. Durch einmalige Betätigung der STOP-Taste bleibt das Laufband stehen und geht in einen 5 Minuten dauernden Wartezustand über. Während dieser Zeit können Sie das unterbrochene Training durch Betätigung der START-Taste fortsetzen. Durch zweimaliges Drücken der STOP-Taste beenden Sie das Trainingsprogramm, worauf das Cockpit Ihre absolvierte Leistung anzeigt und auf die Startposition zurück springt.
5. Nach Beendigung des Programms beginnt die vorprogrammierte Auslaufphase, an deren Ende das Laufband stehen bleibt.

Bei Programm **12** handelt es sich um eine Art von Intervalltraining, bei dem Sie während des Trainings die Länge und Dauer der zu laufenden Strecke eingeben und die Geschwindigkeit des Laufbands selbst bestimmen können.

1. Drücken Sie die SELECT-Taste, bis die Signallampe des gewünschten Profils (P12) aufleuchtet. Drücken Sie die ENTER-Taste zur Bestätigung Ihrer Wahl.
2. Geben Sie die Strecke bzw. Dauer des Profils ein. Durch Betätigen der SELECT-Taste gelangen Sie von dem einen Eingabewert zum nächsten. Sie können den Wert mit den Pfeiltasten verändern (Grenzwerte 10 Minuten (0:10)- 3 Stunden (h3:00), Veränderungen in Stufen zu 5 Minuten / 3 km – 42 km, Veränderungen in Stufen zu 1 km).
3. Drücken Sie die START-Taste; das Training beginnt, und die Matte setzt sich in Bewegung.
4. Sie können das Steigungsprofil mit Hilfe der Pfeiltasten stufenweise verändern.
5. Durch einmalige Betätigung der STOP-Taste bleibt das Laufband stehen und geht in einen 5 Minuten dauernden Wartezustand über. Während dieser Zeit können Sie das unterbrochene Training

durch Betätigung der START-Taste fortsetzen. Durch zweimaliges Drücken der STOP-Taste beenden Sie das Trainingsprogramm, worauf das Cockpit Ihre absolvierte Leistung anzeigt und auf die Startposition zurück springt.

6. Nach Beendigung des Programms beginnt die vorprogrammierte Auslaufphase, an deren Ende das Laufband stehen bleibt.

Die HRC Programme (P13-P16) sind unterschiedliche Trainingsprofile mit Herzfrequenzsteuerung, bei denen Sie die Dauer der Trainingsabschnitte einstellen können. Die herzfrequenzgesteuerten Programme setzen jeweils die Verwendung eines Herzfrequenzmessgurts voraus. Wenn die Herzfrequenzmessung nicht gelingt, erscheint im Textfeld die Fehleranzeige CHECK TRANSMITTER. Vergewissern Sie sich dann, dass Sie die Hinweise zum Gebrauch des Messgurts befolgt haben.

1. Drücken Sie die SELECT-Taste, bis die Signallampe neben dem gewünschten Programm (P13-P16) aufleuchtet. Drücken Sie die ENTER-Taste zur Bestätigung Ihrer Wahl.

2. Wählen Sie mit den Pfeiltasten das Modus zur Herzfrequenzsteuerung. Drücken Sie die ENTER-Taste zur Bestätigung Ihrer Wahl.

3. Geben Sie die Strecke bzw. Dauer des Programms ein. Durch Betätigen der SELECT-Taste gelangen Sie von dem einen Eingabewert zum nächsten. Die zuletzt eingestellte Dauer erscheint in der Nummernanzeige. Sie können den Wert mit den Pfeiltasten verändern (Grenzwerte 10 Minuten (0:10)- 3 Stunden (h3:00), Veränderungen in Stufen zu 5 Minuten / 3 km – 42 km, Veränderungen in Stufen zu 1 km). Drücken Sie die ENTER-Taste zur Bestätigung Ihrer Wahl.

4. Drücken Sie die START-Taste; das Training beginnt, und die Matte setzt sich in Bewegung. Sie können das Herzfrequenzniveau des Programms mit Hilfe der Pfeiltasten in Stufen von 1 % nach oben und unten verändern.

5. Durch Betätigung der Tasten zur Geschwindigkeitskontrolle können Sie die Spitzengeschwindigkeit des Laufbands eingeben.

6. Durch einmalige Betätigung der STOP-Taste bleibt das Laufband stehen und geht in einen 5 Minuten dauernden Wartezustand über. Während dieser Zeit können Sie das unterbrochene Training durch Betätigung der START-Taste fortsetzen. Durch zweimaliges Drücken der STOP-Taste beenden Sie das Trainingsprogramm, worauf das Cockpit Ihre absolvierte Leistung anzeigt und auf die Startposition zurück springt.

7. Nach Beendigung des Programms beginnt die vorprogrammierte Auslaufphase, an deren Ende das Laufband stehen bleibt.

DIE PROFILE DER PROGRAMME (Die Abbildungen finden Sie am Ende dieser Anleitung)

P4 (Track) basiert auf der Manual-Funktion, in der Anzeige erscheint eine 400 m lange Laufbahn und Ihre Zeit wird nach jeder Runde gemessen. Das Profil eignet sich hervorragend für das

Leistungssporttraining und als Wettkampffunktion, wenn Sie gegen Ihre eigenen Leistungen antreten. Durch Regulieren des Winkels der Laufunterlage können Sie den Windwiderstand simulieren.

P5 (5K Course). Die vorgegebene Strecke dieses Programms beträgt 5 km. Das Steigungsprofil des Programms ist vorprogrammiert und die Geschwindigkeitseinstellung geschieht manuell. Auch das Steigungsprofil kann stufenweise verändert werden. Das Programm eignet sich für Jogger und zum Leistungssporttraining: 5 km sind eine bevorzugte Laufstrecke, weswegen das Programm ausgezeichnet zur Kontrolle des eigenen Leistungsstands eingesetzt werden kann. Die durchschnittliche Steigung bei den vorprogrammierten Einstellungen beträgt 1,1 % bei einer maximalen Steigung von 3 %.

P6 (10K Course). Die vorgegebene Strecke dieses Programms beträgt 10 km. Das Steigungsprofil des Programms ist vorprogrammiert und die Geschwindigkeitseinstellung geschieht manuell. Auch das Steigungsprofil kann stufenweise verändert werden. Das Programm eignet sich für Jogger und zum Leistungssporttraining: 10 km sind eine bevorzugte Laufstrecke, weswegen das Programm ausgezeichnet zur Kontrolle des eigenen Leistungsstands eingesetzt werden kann. Die durchschnittliche Steigung bei den vorprogrammierten Einstellungen beträgt 0,875 % bei einer maximalen Steigung von 3 %.

P7 (15 Min Warm Up). Das Programm basiert auf der Herzfrequenzsteuerungsfunktion. Die vorgegebene Länge des Programms beträgt 15 Minuten und ist speziell als Aufwärmprogramm für andere Trainingsformen konzipiert. Der durchschnittliche Puls bei den vorgegebenen Einstellungen beträgt 113 bei einem Spitzenpuls von 122.

P8 (30 Min Health). Das Programm basiert auf der Herzfrequenzsteuerungsfunktion. Die vorgegebene Länge des Programms beträgt 30 Minuten und ist als aerobes Grundtraining konzipiert. Der durchschnittliche Puls bei den vorgegebenen Einstellungen beträgt 117 bei einem Spitzenpuls von 126.

P9 (Hill Walk). Dieses Profil besteht aus regelmässigen Steigungsvarianten und einer ziemlich gleichmäßigen raschen Gehgeschwindigkeit. Das Profil eignet sich für Anfänger und Personen, die gerne spazieren gehen. Bei der vorgegebenen Einstellung beträgt die Durchschnittsgeschwindigkeit 5,2 km/h und die Spitzengeschwindigkeit 5,8 km/h. Die durchschnittliche Steigung beträgt 2,7%.

P10 (Hill Jog). Dieses Profil besteht aus abwechslungsreichen Steigungsvarianten und einem ziemlich gleichmäßigen, leichten Jogging. Das Profil eignet sich für Anfänger und dient der Aufrechterhaltung der Kondition. Bei der vorgegebenen Einstellung beträgt

die Durchschnittsgeschwindigkeit 6,9 km/h und die Spitzengeschwindigkeit 7,2 km/h. Die durchschnittliche Steigung beträgt 1,9%.

P11 (Hill Run). Dieses Profil besteht aus einer gleichmässigen geringen Steigung und einer gleichmässig variierenden raschen Laufgeschwindigkeit. Das Profil eignet sich für Dauerläufer. Bei der vorgegebenen Einstellung beträgt die Durchschnittsgeschwindigkeit 11,6 km/h und die Spitzengeschwindigkeit 12,5 km/h. Die durchschnittliche Steigung beträgt 1,8%.

P12 (Rolling Hills). Streckenprofil: Sie können die Kilometerlänge des Profils selbst einstellen. Das Profil wurde vor allem für das Leistungssporttraining entwickelt, bringt aber auch Abwechslung ins Konditionstraining. Die maximale Streckenlänge beträgt 42 km, bei der vorgegebenen Einstellung 3 km, Einstellungsmöglichkeiten in Stufen zu 1 km. Die Steigungseinstellungen sind von den jeweiligen Intervallen abhängig, die durchschnittliche Steigung beträgt 2,4%.

P13 (Fatburner 1). Kräftesparendes Pulsprofil, das auf einem gleichmäßigen Steigen und Sinken des Pulslevels basiert. Dieses Profil eignet sich zur Gewichtskontrolle. Bei der vorgegebenen Einstellung beträgt der Durchschnittspuls 114, der Spitzenpuls 125.

P14 (Fatburner 2). Mittelschweres Pulsprofil, das auf einem intervallabhängigen Steigen und Sinken des Pulslevels basiert. Dieses Profil eignet sich sowohl für das Konditionstraining, wie zur Gewichtskontrolle. Bei der vorgegebenen Einstellung beträgt der Durchschnittspuls 122, der Spitzenpuls 136.

P15 (Cardio). Mittelschweres Pulsprofil, das auf einem gleichmäßigen Steigen und Sinken des Pulslevels basiert. Das Pulslevel verbleibt fast während des gesamten Trainings zwischen 130 und 140. Dieses Profil eignet sich ausgezeichnet für das Konditionstraining. Bei der vorgegebenen Einstellung beträgt der Durchschnittspuls 129, der Spitzenpuls 145.

P16 (Fit). Hocheffektives Pulsprofil, das auf dem gleichmäßigen Steigen und Sinken des Pulslevels basiert. Das Pulslevel verbleibt fast während des gesamten Trainings zwischen 135 und 145. Dieses Profil eignet sich zum Konditionstraining für Personen mit bereits guter Kondition, sowie zum Konditionsaufbau. Bei der vorgegebenen Einstellung beträgt der Durchschnittspuls 133, der Spitzenpuls 150.

WARTUNG

Die Gewährleistung der Betriebssicherheit des Geräts erfordert regelmässige Pflege und genaue Kontrolle der potentiellen Störstellen (verschleissbare Teile usw.). Kontrollieren Sie bitte einmal im Jahr die Spannung aller Befestigungsschrauben und Muttern. Wenn sich

ein Teil des Gerätes als fehlerhaft herausstellt, wechseln Sie es bitte unmittelbar aus. Das Gerät darf nicht benutzt werden, falls es nicht völlig funktionstauglich ist.

REINIGUNG DES LAUFBANDES UND PFLEGE

DER LAUFPLATTE

WENN SIE IHR LAUFBAND NICHT SCHMIEREN, KANN DIE GARANTIE DES PRODUKTS ERLÖSCHEN!

Die Handläufe und die Elektronikanzeige mit einem feuchten Tuch reinigen. Auf keinen Fall Lösungsmittel verwenden! Die sichtbaren Teile des Rahmens (wie Laufmatte, Laufplatte und Seitenprofile) regelmässig mit einer kleinen Düse absaugen. Halten Sie die Umgebung des Laufbandes sauber. Im Betrieb zieht das Laufband z.B. Staub an, der Probleme für die Funktion des Gerätes verursachen kann.

Die Schmierung ist eine wichtige Maßnahme bei der Pflege Ihres Laufbands. Bei durchschnittlicher privater Nutzung (maximal 60 Minuten pro Tag) sollten Sie einmal im Monat überprüfen, ob das Laufband geschmiert werden muss. Schmieren Sie es jedoch nur bei Bedarf. Bei stärkerer Nutzung sollten Sie den Schmierzustand in kürzeren Abständen überprüfen, am besten bevor Sie mit einer Trainingseinheit beginnen. Überprüfen Sie den Schmierzustand wie folgt:

1. Vergewissern Sie sich, dass das Laufband ausgeschaltet ist! Stellen Sie sich auf dem Laufband an die Stelle, auf der Sie normalerweise laufen.
2. Umgreifen Sie den horizontalen Lenkerbügel, und drücken Sie mit Ihren Füßen gegen das Band, so dass es vor und zurück gleitet. Das Band sollte sich geräuschlos, sanft und gleichmäßig bewegen.
3. Wenn sich das Band ruckartig oder gar nicht bewegt, überprüfen Sie den Ölunzustand, indem Sie mit Ihrer Hand unter das Band fassen. Schmieren Sie das Band wie folgt:

1. Bringen Sie die Spritzdüse des Schmiermittelröhrchens am T-Lube S-Behälter an.
2. Stellen Sie die Lauffläche auf die maximale Steigung ein.
3. Positionieren Sie die Spritzdüse zwischen Band und Platte. Versuchen Sie, möglichst weit in die Mitte der Lauffläche zu sprühen.
4. Versprühen Sie das Schmiermittel 2-3 Sekunden lang.
5. Bringen Sie das Laufband wieder in die Ausgangsposition. Verwenden Sie es nun für Ihre Trainingseinheit, oder lassen Sie es mindestens fünf Minuten laufen.

BITTE BEACHTEN! Schmieren Sie Ihr Laufband ausschließlich mit dem Schmiermittel T-Lube S.

Wenden Sie sich an Ihren Tunturi Händler vor Ort, wenn Sie mehr T-Lube oder weitere Informationen zur Schmierung und Wartung benötigen.

AUSRICHTEN DER LAUFMATTE

Beobachten Sie den Lauf des Bandes während des Trainings und führen Sie die unten beschriebenen Einstellmassnahmen sofort aus, wenn sie notwendig sind. Während des Trainings sollte die Laufmatte möglichst gerade und mittig laufen. Die Laufmatte braucht nicht neu ausgerichtet werden, falls

- das Gerät an einem ebenen Ort aufgestellt wird und ordnungsgemäss gespannt ist, und
- das Laufband ursprünglich ordnungsgemäss ausgerichtet wurde.

Aufgrund von besonderen Laufstilen (z. B. einseitige Gewichtsverteilung) kann die Laufmatte mit der Zeit jedoch schräg laufen. Ragt die Laufmatte über eines der beiden Seitenprofile hinaus, muss die Laufmatte wie folgt neu ausgerichtet werden:

1. Die Matte mit einer Geschwindigkeit von 5 km/h laufen lassen.
2. Läuft die Laufmatte nach links, die linke Einstellschraube am hinteren Ende des Laufbandtrainers um ¼ Umdrehung nach rechts und die rechte Einstellschraube um ¼ Umdrehung nach links drehen. Bereits eine ¼ Umdrehung verändert die Richtung der Laufmatte. Deshalb die Stellung der Einstellschrauben nur Schritt für Schritt verändern. Läuft die Laufmatte nach rechts, die rechte Einstellschraube am hinteren Ende des Laufbandtrainers um ¼ Umdrehung nach rechts und die linke Einstellschraube um ¼ Umdrehung nach links drehen.
3. Läuft die Laufmatte in der Mitte, ist die Einstellung richtig. Wenn nicht, die obigen Schritte so lange wiederholen, bis die Laufmatte in der Mitte des Gerätes bleibt.

Läuft die Laufmatte über längere Zeit hinweg schräg, so dass es an der einen Geräteseite scheuert, können Betriebsstörungen auftreten. Die Garantie deckt keine Schäden, die auf eine unterlassene Ausrichtung der Laufmatte zurückzuführen sind.

NACHSPANNEN DER LAUFMATTE

Die Laufmatte muss nachgespannt werden, wenn sie bei normalem Betrieb über die Laufrolle zu rutschen beginnt. Die Laufbandspannung jedoch so gering wie möglich halten! Das Nachspannen erfolgt mit denselben Einstellschrauben wie zum Ausrichten.

1. Die Matte mit einer Geschwindigkeit von 5 km/h laufen lassen.
2. Beide Einstellschrauben gleich viel, ¼ Umdrehung, nach rechts drehen.
3. Durch Gehen wie an einem steileren Abhang versuchen, die Laufmatte zu bremsen.

Rutscht das Laufband immer noch zu leicht über die Laufrolle, die Einstellschrauben um eine weitere ¼ Umdrehung nach rechts drehen und einen weiteren Bremsversuch machen. Die Laufmatte sollte erst bei scharfem Bremsen rutschen. Falls die Laufmatte

trotz wiederholtem Nachspannen rutscht, bitte Kontakt mit Ihrem Tunturi-Händler aufnehmen.

BETRIEBSSTÖRUNGEN

BITTE BEACHTEN! Trotz kontinuierlicher Qualitätsüberwachung können vereinzelt an den Geräten durch einzelne Komponenten verursachte Funktionsstörungen auftreten. Dabei ist es nicht angebracht, das ganze Gerät zur Reparatur zu bringen, da der Fehler meistens durch Austauschen der defekten Komponente behoben werden kann.

Falls Sie Funktionsstörungen an Ihrem Gerät feststellen, schalten Sie es umgehend aus. Warten Sie 1 Minute und schalten Sie das Gerät wieder ein. Normalerweise werden Funktionsstörungen mit dieser Massnahme behoben und das Gerät kann weiterverwendet werden. Sollte die Funktionsstörung aber wieder auftreten, das Gerät umgehend ausschalten und Kontakt mit Ihrer nationalen Tunturi-Vertretung aufnehmen.

Wenden Sie sich an Ihre nationale Tunturi-Vertretung, wenn Sie Ersatzteile benötigen oder Funktionsstörungen an Ihrem Gerät feststellen. Beschreiben Sie das Problem und die Einsatzbedingungen und teilen Sie das Kaufdatum und die Seriennummer des Gerätes mit. Die Ersatzteilnummern finden Sie in der Liste am Ende dieser Anweisung. Für das Gerät dürfen nur die in der Ersatzteilliste genannten Teile benutzt werden.

FEHLERMELDUNGEN

Das Cockpit zeigt eine Funktionsstörung auf der Anzeige an.

SYSTEM CHECK FAILED - Mögliche Störung der Motorsteuerung. Schalten Sie am Hauptschalter den Strom ab, warten Sie eine Minute und starten Sie das Laufband neu. Falls die Fehlermeldung verschwunden ist, können Sie das Gerät wieder ganz normal benutzen. Sollte die Fehlermeldung nicht verschwinden, wenden Sie sich bitte an den Verkäufer des Geräts.

SPEED SENSOR ERROR - Störung beim Geschwindigkeitssensor. Wenden Sie sich bitte an den Verkäufer des Geräts.

MOTOR SPEED ERROR - Störung bei der Geschwindigkeitseinstellung des Laufbands. Vergewissern Sie sich, dass Sie das Gerät richtig benutzen: Sie dürfen das Band nicht mit den Füßen verschieben. Schalten Sie am Hauptschalter den Strom ab, warten Sie eine Minute und starten Sie das Laufband neu. Falls die Fehlermeldung verschwunden ist, können Sie das Gerät wieder ganz normal benutzen. Sollte die Fehlermeldung nicht verschwinden, wenden Sie sich bitte an den Verkäufer des Geräts.

MOTOR OVERLOAD - Überlastung des Motors. Vergewissern Sie sich, dass Sie das Gerät richtig benutzen: Das Band darf nicht gebremst werden.

Schalten Sie am Hauptschalter den Strom ab, warten Sie eine Minute und starten Sie das Laufband neu. Falls die Fehlermeldung verschwunden ist, können Sie das Gerät wieder ganz normal benutzen. Vergewissern Sie sich, dass das Band ausreichend eingefettet ist, führen Sie bei Bedarf eine Einfettung durch. Sollte die Fehlermeldung nicht verschwinden, wenden Sie sich bitte an den Verkäufer des Geräts.

LIFT MOTOR ERROR - Störung beim Hebemotor. Wenden Sie sich bitte an den Verkäufer des Geräts.

LIFT MOTOR OVERLOAD - Überlastung des Hebemotors. Vergewissern Sie sich, dass Sie das Gerät richtig benutzen: Sie dürfen den Motor nicht durch ständiges Ändern des Steigungswinkels überlasten. Schalten Sie am Hauptschalter den Strom ab, warten Sie eine Minute und starten Sie das Laufband neu. Beim Starten führt das Laufband automatisch eine Kalibrierung des Hebemotors durch. Falls die Fehlermeldung verschwunden ist, können Sie das Gerät wieder ganz normal benutzen. Sollte die Fehlermeldung nicht verschwinden, wenden Sie sich bitte an den Verkäufer des Geräts.

WARTUNGSMELDUNG

CHECK LUBRICATION. Vergewissern Sie sich, dass das Band ausreichend eingefettet ist, führen Sie nur bei Bedarf eine Einfettung durch. Löschen Sie die Meldung durch zweimaliges Drücken der ENTER-Taste.

TRANSPORT UND AUFBEWAHRUNG

Bewegen Sie das T90 Laufband folgendermassen: Schalten Sie den Strom am Stromschalter ab und trennen Sie das Netzkabel von der Stromquelle und dem Laufband. Stellen Sie sich hinter das Gerät und greifen Sie am Aluminiumprofil am hinteren Ende des Geräts zu. Heben Sie das hintere Ende des Geräts so an, dass es auf den Transporträdern zu Stehen kommt. Durch Schieben können Sie das Gerät auf den Transporträdern bewegen. Senken Sie die Laufunterlage vorsichtig zu Boden.

BITTE BEACHTEN! Das Laufband nur mit äusserster Vorsicht über eine Schwelle oder andere unebene Flächen transportieren. Das Laufband darf nicht auf den Transportrollen über eine Treppe geschoben werden - es muss unbedingt getragen werden. Ein Verschieben des Geräts kann manche Fussbodenmaterialien beschädigen, z.B. Holzparkettböden. In diesem Fall müssen Sie den Boden vorher schützen. Nach dem Bewegen oder Transport muss das Laufband ggf. neu ausgerichtet werden.

Um Funktionsstörungen zu vermeiden, das Gerät in einem möglichst trockenen Raum mit gleichbleibender Temperatur vor Staub geschützt

aufbewahren und benutzen. Nach jedem Training den Netzstecker ziehen.

TECHNISCHE DATEN

Länge	214 cm
Höhe	143 cm
Breite	91 cm
Gewicht.....	126 kg
Lauffläche	52 x 158 cm
Geschwindigkeit	0,3-18,0 km/h
Neigung	0-12 %
Motor	3,5 PS

Sämtliche Tunturi-Geräte entsprechen den EG-Richtlinien für elektromagnetische Verträglichkeit, EMC (89/336/EWG) und der europäischen Niederspannungsrichtlinie (72/23/EEC). Das Produkt trägt daher das CE-Kennzeichen. Das T90 erfüllt die Anforderungen der CEN-Sicherheitsnormen (Klasse SA, EN-957, Teile 1 und 6).

Aufgrund unserer kontinuierlichen Produktentwicklung behält sich Tunturi das Recht vor, Spezifikationen ohne vorherige Ankündigung zu vorzunehmen.

BITTE BEACHTEN! Die Hinweise bezüglich der Montage, der Benutzung und der Wartung Ihres Gerätes müssen sorgfältig beachtet werden. Die Garantie schliesst keine Beschädigungen ein, die auf Fahrlässigkeit bei der Montage, Einstellung und Wartung, wie sie in diesem Handbuch beschrieben wurden, zurückzuführen sind. Werden Modifizierungen ohne das Einverständnis der Tunturi Oy Ltd vorgenommen, erlischt jeglicher Garantieanspruch!

Wir wünschen Ihnen viele angenehme Trainingsstunden mit Ihrem neuen Tunturi Trainingspartner!

TABLE DES MATIERES

ASSEMBLAGE.....	27
(Barres de soutien plus longues).....	100
GÉNÉRALITÉS SUR L'ENTRAÎNEMENT.....	28
POUR COMMENCER VOTRE EXERCICE.....	29
RYTHME CARDIAQUE.....	29
UNITE DES COMPTEURS.....	30
CHOIX DE L'ENTRAÎNEMENT.....	32
ENTRETIEN.....	37
CODER D'ERREUR.....	38
TRANSPORT ET RANGEMENT.....	38
CARACTERISTIQUES TECHNIQUES.....	39

CONSEILS ET AVERTISSEMENTS

Ce guide est une pièce essentielle de votre appareil sportif. Lisez attentivement ce mode d'emploi avant d'assembler, d'utiliser ou d'effectuer l'entretien de votre appareil sportif. Veuillez conserver ce guide, il contient les renseignements dont vous aurez besoin, maintenant et plus tard, pour utiliser et entretenir votre appareil. Suivez toujours les instructions très rigoureusement.

ATTENTION

- L'appareil doit être branché sur une prise mise à la terre. N'utilisez pas de rallonge. La consommation de courant est de 10 A à son maximum. Les sources de courant présentant des variations de tension de plus de 12 % peuvent entraver le bon fonctionnement de l'appareil et endommager son équipement électronique. Si l'appareil est branché sans tenir compte des instructions données dans ce mode d'emploi, sa garantie n'est plus valable.

DANGER

Pour réduire les risques de choc électrique:

- Débranchez toujours l'appareil de la prise de courant immédiatement après son utilisation et avant de le nettoyer.
- Le fil électrique de l'appareil est équipé de fiches mises à la terre.

Pour réduire les risques de brûlures, d'incendie, de choc électrique ou de

blessure aux personnes:

1) Un équipement ne devrait jamais être laissé sans surveillance lorsqu'il est branché. Débranchez de la prise lorsque vous ne l'utilisez pas et avant de monter ou de retirer des pièces.

2) Une surveillance étroite est nécessaire lorsque cet équipement est utilisé par ou à proximité d'enfants, de personnes invalides ou handicapées.

3) N'utilisez cet équipement qu'à l'usage auquel il est destiné tel que décrit dans ce manuel.

Ne pas utiliser d'accessoires non recommandés par le fabricant.

4) N'utilisez jamais cet équipement si sa prise ou son cordon de secteur sont endommagés, s'il ne fonctionne pas parfaitement, s'il est tombé ou qu'il a été endommagé ou s'il est tombé dans l'eau. Retournez l'équipement au centre de service pour contrôle et réparation.

5) Maintenir les fils électriques à distance des surfaces chauffées.

6) N'utilisez jamais l'appareil lorsque ses aspirations d'air sont bloquées. Veillez à ce qu'il n'y ait pas de peluches, de cheveux ou équivalent sur les aspirations d'air.

7) Ne jamais laisser tomber ou insérer aucun objet dans les aspirations d'air.

8) Ne pas utiliser en extérieur.

9) Ne pas utiliser dans un endroit où l'on utilise des produits aérosol (spray), ni dans un endroit où l'on administre de l'oxygène.

10) Pour débrancher, placer tous les contrôles en position fermée, puis retirer la prise de courant.

- Seule une personne spécialisée dans l'entretien et la réparation de tels appareils électro-mécaniques et qui détient le permis exigé par la loi du pays concerné pour effectuer les travaux en question, peut réaliser d'éventuels changements sur les fiches de l'appareil ou la prise secteur.

- Avant de commencer un entraînement, quel qu'il soit, consultez votre médecin.
- En cas de vertige, nausées, douleur dans la poitrine ou autres symptômes anormaux, interrompez la séance immédiatement et consultez un médecin.
- N'effectuez jamais d'autres opérations de réglage et d'entretien que celles mentionnées dans ce guide et suivez bien les conseils d'entretien qui y sont donnés. Veillez à ce que, durant l'assemblage et l'entretien de l'appareil, l'appareil est éteint et débranché.
- L'appareil ne doit pas être utilisé par des personnes dont le poids excède 150 kg.
- Pour information complémentaire sur la garantie de votre équipement de fitness, veuillez consulter la brochure de garantie livrée avec l'appareil. Veuillez noter que la garantie ne couvre pas les dommages causés par un manque de précaution quant aux instructions de montage et d'entretien décrites dans ce mode d'emploi.

CONSERVEZ CES INSTRUCTIONS!

BIENVENUE DANS LE MONDE DE L'ENTRAÎNEMENT TUNTURI!

Votre choix prouve que vous souhaitez réellement investir dans votre bien-être et votre condition; il révèle aussi que vous savez apprécier la haute qualité et l'élégance. En choisissant un équipement Tunturi, vous adoptez un produit de premier choix comme partenaire pour un entraînement motivant, en toute sécurité. Quel que soit votre objectif, nous sommes persuadés que cet appareil est celui qui vous y conduira. Vous trouverez les indications concernant l'utilisation de votre appareil sportif et les facteurs d'un entraînement efficace sur le web de Tunturi, à l'adresse WWW.TUNTURI.COM.

ASSEMBLAGE

Commencez par déballer l'appareil sportif et vérifier que toutes les pièces suivantes sont en votre possession:

EMBALLAGE 1/3

1. Piste
2. Fil électrique

EMBALLAGE 2/3

3. Barres d'appui avant

4. Bloc repose-mains/compteur

5. Kit d'assemblage (le contenu avec * dans la liste des pièces détachées): Conservez les outils de montage, vous pourrez en avoir besoin pour régler l'appareil par exemple.

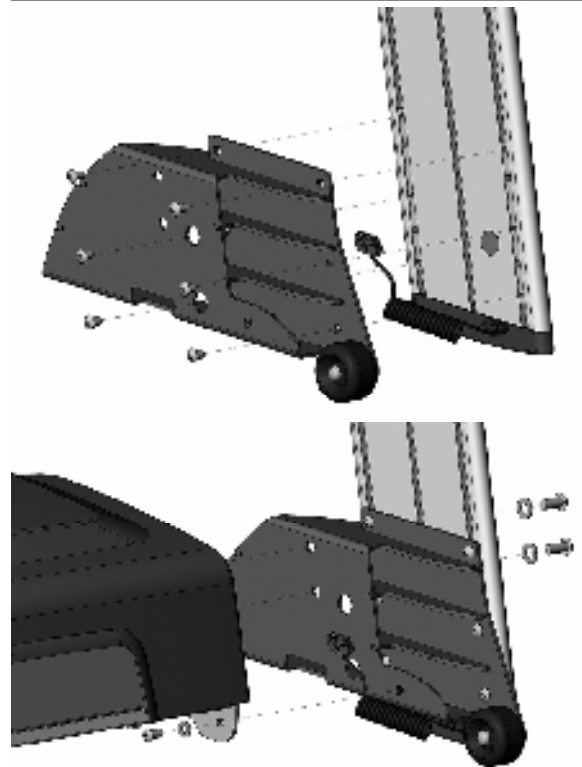
EMBALLAGE 3/3

6. Barres de soutien plus longues (assemblage: page100)

Les termes droit, gauche, avant et arrière sont définis par rapport à la position d'exercice. Pour tous problèmes, adressez-vous à votre distributeur. L'emballage renferme un sachet de silicate pour l'absorption de l'humidité pendant le stockage et le transport. Veuillez le mettre au rebut après avoir déballé l'appareil. Pour assembler l'appareil, il faut deux personnes. Effectuez l'assemblage comme suit:

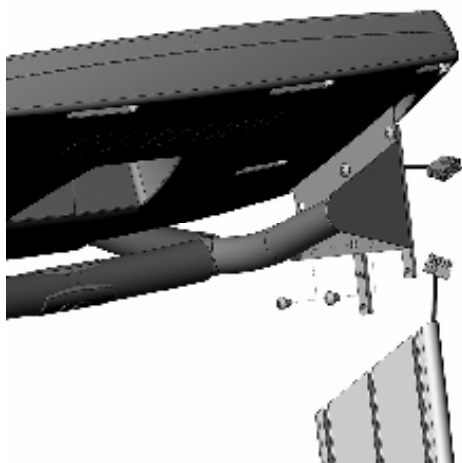
Ouvrir les deux emballages et retirer tous les morceaux de polystyrol

BARRES D'APPUI AVANT



Fixer les pièces de fixation des barres d'appui avant sur la partie inférieure de ces barres. Les deux pièces de fixation sont fixées avec 6 vis six pans (A). Serrer les vis à fond. **ATTENTION !** La barre gauche et la pièce de fixation correspondant sont marqués d'une étiquette ronde de couleur rouge. Fixer les deux barres d'appui avant à la piste avec deux vis six pans (B) et rondelles (C) et une vis six pans (D) et un rondelle (E). Attention à ne pas abîmer le fil sortant de la barre d'appui avant gauche. **IMPORTANT !** Serrer les vis à fond uniquement une fois que vous aurez mis le repose-mains et le compteur en place.

REPOSE-MAINS ET COMPTEUR



Faire tourner les pièces coulissantes situées sur les côtés du repose-mains vers le bas, de manière à pouvoir fixer chaque pièce coulissante avec la vis de fixation (F) au trou de fixation inférieur du repose-mains. À ce stade, fixer les pièces coulissantes en les serrant le moins possible. Ne pas retirer les vis situées dans les pièces coulissantes. Placer l'ensemble repose-mains / compteur sur la barre d'appui avant, de sorte que les pièces coulissantes sur les côtés du repose-main glissent dans les fentes de la barre d'appui avant. Brancher le fil sortant du repose-main gauche sur le raccord du compteur et enfoncer le fil raccordé à l'intérieur du repose-main. Poser maintenant l'ensemble repose-mains/compteur pour le fixer sur les barres d'appui avant et serrer toutes les vis à six pans des pièces coulissantes.

Attention à ne pas abîmer les fils du pulsomètre: le fil doit passer au niveau de la fente centrale dans la barre d'appui avant. Serrer les vis de fixation des barres d'appui. Retirer le film protecteur de l'écran.

Brancher le fil sortant du repose-main gauche sous la piste sur le raccord situé à gauche. Pour faciliter l'installation, basculer légèrement le tapis de course sur la droite.

CLE DE VERROUILLAGE DE SECURITE

L'appareil est équipé d'une clé de verrouillage de sécurité qui empêche son fonctionnement si elle n'est pas en place, sous l'unité des compteurs. Fixez le clip se trouvant au bout du cordon de la clé à votre T-shirt par exemple et insérez la clé dans la fente gauche de l'interface. Veillez à ce que le clip de la clé de verrouillage de sécurité est bien fixé à votre vêtement; quand le cordon de la clé se tend, faites bien attention que le clip ne se détache pas de votre vêtement avant que la clé se soit déconnectée de l'interface.

CORDON D'ALIMENTATION

Connectez le fil électrique à l'avant de l'appareil près de l'interrupteur secteur. Avant de brancher l'appareil à une source d'alimentation, assurez-vous que la tension locale correspond à celle indiquée

sur la plaque de type. Le tapis de course fonctionne sur 230 V ou 120 V. Mettez l'appareil sous tension à l'aide de l'interrupteur qui se trouve à côté de la prise. **ATTENTION !** L'appareil ne doit être branché qu'à une prise reliée à la terre. En cas de défaillance ou de panne, la mise à terre offre au courant une voie à résistance minimale, réduisant ainsi le danger de choc électrique. N'utilisez pas de rallonge pour le branchement de l'appareil à la source d'alimentation.

Ce produit est équipé d'un cordon avec un conducteur de mise à la terre et une fiche mise à la terre. La fiche doit être branchée dans une prise appropriée, correctement installée et mise à la terre conformément aux exigences et réglementations locales. Ne pas utiliser de rallonges lorsque vous branchez l'équipement sur une source d'alimentation.

Configuration 120 V

DANGER ! Un branchement incorrect du conducteur de mise à la terre de l'équipement peut entraîner un risque de choc électrique. Vérifiez auprès d'un électricien ou d'un mécanicien d'entretien qualifié si vous n'êtes pas sûr que le produit est correctement mis à la terre. Ne modifiez pas la fiche fournie avec le produit, si elle ne rentre pas dans la prise de courant, faites-la changer par un électricien qualifié. Si le produit doit être utilisé sur circuit de 120 volt nominal, sa prise de mise à la terre ressemble à l'illustration. Assurez-vous que le produit est branché sur une prise ayant la même configuration que la fiche. Il est interdit d'utiliser un adaptateur avec ce produit.

GÉNÉRALITÉS SUR

L'ENTRAÎNEMENT

Il est indispensable de se familiariser soigneusement avec les fonctions et le contrôle du tapis de course motorisé avant de commencer l'exercice.

L'entraînement avec un tapis de course est une excellente forme d'exercice aérobic qui lie à la fois modération et durée dans les efforts. Un tel exercice vise à améliorer votre capacité maximale d'absorption d'oxygène, donc votre endurance et votre condition physique. La capacité du corps à "brûler" la graisse est directement liée à sa capacité de transporter l'oxygène.

L'exercice en aérobic est avant tout plaisant. Il faut transpirer, mais le pouls ne doit pas monter exagérément. Cela permet de faire de l'exercice plus longtemps. Il est recommandé de pratiquer de l'exercice 30 à 60 minutes trois fois par semaine en fonction des objectifs, de la forme et des possibilités.

Si vous souhaitez vous exercer en marchant, vous pouvez varier le type et l'intensité de l'exercice en modifiant l'angle d'inclinaison du tapis de course. La marche peut être diversifiée en utilisant simultanément des petits poids pour faire travailler les muscles des bras. Attention dans ce cas à votre

équilibre et aux autres facteurs de sécurité.

Vous trouverez les indications concernant l'utilisation de votre appareil sportif et les facteurs d'un entraînement efficace sur le web de Tunturi, à l'adresse WWW.TUNTURI.COM.

A PROPOS DU LOCAL

- T90 ne doit pas être utilisé à l'extérieur. L'appareil supporte des températures de +10°C à +35°C. L'hygrométrie ne doit jamais excéder 90 %.
- Installer l'appareil sur une surface plane et ferme. Laissez au moins 100 cm d'espace libre devant et sur les côtés et au moins 100x200 cm derrière. Veiller à ce que ni enfant, ni animal familier ne soient à proximité durant l'utilisation de l'appareil.
- Assurez-vous que la pièce où vous vous entraînez bénéficie d'une ventilation adéquate. Pour éviter les coups de froid, ne vous entraînez pas dans un endroit balayé par les courants d'air.

A PROPOS DE L'UTILISATION DE

L'EQUIPEMENT

- Les parents ou autres adultes responsables doivent penser que la curiosité naturelle des enfants, généralement joueurs, peut conduire à des situations et des comportements pour lesquels l'appareil n'est pas prévu. Si des enfants sont autorisés à utiliser votre appareil sportif, ils doivent apprendre à le faire correctement et sous surveillance. Tenez compte de leur développement physique et intellectuel, ainsi que de leur personnalité.
- N'utilisez l'appareil qu'une seule personne à la fois.
- Gardez vos mains éloignées des pièces en mouvement.
- Ne jamais laisser la piste en marche sans surveillance.
- Portez toujours des vêtements et des chaussures appropriés lors des séances d'exercice.
- Avant de commencer à utiliser l'appareil, assurez-vous qu'il fonctionne correctement sur tous les points. N'utilisez pas un appareil défectueux.
- Vérifiez toujours que toutes les pièces de protection de l'appareil sont bien en place.

POUR COMMENCER VOTRE

EXERCICE

- Afin d'éviter toutes douleurs musculaires, commencez et terminez vos sessions par des mouvements d'échauffement et d'étirement.
- Ne montez jamais directement sur le tapis mais toujours d'abord sur les bords fixes.
- Commencer l'exercice lentement et augmenter graduellement la vitesse et/ou l'inclinaison en fonction de votre forme et de vos sensations.
- Prenez toujours appui sur la barre de soutien, que vous montiez sur l'appareil ou en descendiez et également au cours de chaque changement de

vitesse. Ne sautez jamais d'un tapis en marche !

- Garder le dos et la nuque droits, vous éviterez ainsi les raideurs et les douleurs dans la nuque, les épaules et le dos. Toujours courir le plus possible au milieu du tapis et maintenir une distance avec le compteur de manière à ce que celui-ci ne dérange pas votre course, mais soit toutefois facile à atteindre.

- En cas de défaut de fonctionnement pendant l'exercice, attrapez le repose-mains et placez-vous immédiatement les jambes écartées sur les plaques latérales du tapis de course. Arrêtez le tapis de course et reportez-vous aux instructions, chapitre Dé rangement en cours d'utilisation.

- Interrompez immédiatement la session et consultez votre médecin si vous êtes pris de nausées ou de vertiges ou sentez d'autres symptômes anormaux pendant l'entraînement.

POUR TERMINER VOTRE EXERCICE

- N'arrêtez pas l'exercice brutalement, mais ralentissez progressivement et n'oubliez pas de vous étirer à la fin de l'exercice.
- Ne laissez jamais la clé de verrouillage de sécurité sur votre appareil.
- Eteignez votre appareil à l'aide de l'interrupteur secteur situé sur le bord avant.
- Au besoin, par exemple si vous avez sué, nettoyez votre appareil avec un chiffon humide. N'employez pas de solvant.
- Retirez le fil électrique et rangez-le dans un endroit inaccessible aux enfants.

RYTHME CARDIAQUE

Quel que soit votre objectif, vous obtiendrez les meilleurs résultats en vous entraînant à un niveau d'effort approprié, le meilleur contrôle étant votre pouls.

MESURE DU POULS GRACE AUX

CAPTEURS À MAIN

Le pulsomètre du T90 fonctionne grâce aux capteurs situés dans les repose-mains qui mesurent le pouls à chaque fois que l'utilisateur touche simultanément les deux capteurs. Pour obtenir une lecture fiable, la peau doit être en contact constant avec les capteurs et légèrement moite. Une peau trop sèche ou trop humide affaiblit le fonctionnement du pulsomètre. Notez que si, durant l'exercice, l'impact des pieds sur le tapis est très important, cela peut provoquer des interférences, qui elles, peuvent amoindrir la fiabilité de la mesure du pulsomètre. Pour garantir une meilleure fiabilité d'utilisation du pulsomètre, nous recommandons de mesurer le pouls soit en marchant, soit en se tenant debout immobile sur le rebord du tapis ou en arrêtant le tapis.

IMPORTANT ! Le pulsomètre vérifie le pouls durant les premières 8 secondes avant de commencer à mesurer.

MESURE DU RYTHME CARDIAQUE SANS FIL

La façon la plus fiable de mesurer le pouls est de le faire à l'aide d'un couple émetteur-récepteur sans fil, dans lequel les électrodes de l'émetteur fixé au niveau de la poitrine envoient les pulsations à l'unité des compteurs à travers le champ électromagnétique existant entre l'émetteur et le récepteur.

ATTENTION ! Si vous utilisez un stimulateur cardiaque, vérifiez auprès de votre médecin que vous pouvez utiliser un cardiofréquencemètre sans fil.

Si vous désirez mesurer votre pouls avec la méthode sans fil, commencez par bien mouiller, avec de l'eau ou votre salive, les électrodes de la ceinture de l'émetteur, qui seront en contact avec la peau de votre poitrine. Si vous fixez la ceinture sur votre T-shirt, mouillez le T-shirt aux endroits où se posent les électrodes. Placez la ceinture flexible sous les muscles pectoraux de façon à ce que les électrodes de l'émetteur restent constamment en contact avec votre peau tout au long de l'exercice. Ne serrez cependant pas trop la ceinture: vous devez pouvoir respirer normalement. L'émetteur peut transmettre votre pouls à l'unité des compteurs sur une distance d'un mètre au maximum.

Si les électrodes ne sont pas suffisamment mouillées, l'écran n'affichera pas votre pouls. Donc si les électrodes se sont asséchées en contact avec votre peau, il vous faudra les mouiller à nouveau. Pour mesurer le pouls avec un maximum de fiabilité, laissez les électrodes s'échauffer, par contact sur votre peau, à la température de votre corps. Dans le cas où plusieurs équipements de mesure du pouls sans fils sont utilisés en même temps, la distance entre eux doit être d'au moins 1,5 m. D'autre part, si on ne dispose que d'un récepteur mais de plusieurs émetteurs, une seule personne portant un émetteur doit se trouver à l'intérieur de la zone de portée du récepteur, lorsque la mesure du pouls est en cours.

ATTENTION! Prenez en compte dans vos vêtements d'entraînement le fait que certaines fibres utilisées dans les vêtements (ex. polyester, polyamide) génèrent de l'électricité statique, ce qui peut entraîner un manque de fiabilité de la mesure du rythme cardiaque. Un téléphone portable, une télévision et d'autres appareils électriques créent un champ électromagnétique autour d'eux, ce qui pose des problèmes dans la mesure du rythme cardiaque.

Déterminez d'abord votre rythme cardiaque maximum c'est à dire le rythme à partir duquel le pouls n'augmente plus, même si l'effort est accru. Si vous ne connaissez pas votre pouls maximum, utilisez ces formules indicatives :

220 - ÂGE

Notez bien que c'est une valeur moyenne et que les maxima varient d'une personne à l'autre. Le pouls maximum diminue, en moyenne, d'une pulsation

par année. Si vous faites partie d'un des groupes «à risque», consultez un médecin pour qu'il mesure votre pouls maximum. Nous avons déterminé trois zones de pouls pour vous aider dans vos entraînements soumis à un objectif.

DÉBUTANT : 50-60 % du pouls maximum

Ce niveau convient aussi aux personnes désirant perdre du poids ou n'ayant pas pratiqué d'activité physique depuis longtemps ainsi qu'aux convalescents. Il est recommandé de s'entraîner au moins une demi-heure trois fois par semaine. Un exercice régulier améliore, de façon décisive, les performances respiratoires et circulatoires du débutant et les effets d'une meilleure forme sont très vite ressentis.

ENTRAÎNEMENT : 60-70 % du pouls maximum

Ce niveau est parfait pour l'amélioration et le maintien d'une bonne condition physique. Il permet de renforcer le coeur et les poumons tout en respectant un effort raisonnable. S'entraîner au moins trois fois par semaine pendant une demi-heure minimum. Pour progresser davantage, augmentez soit la fréquence soit la durée des séances mais pas les deux en même temps !

ENTRAÎNEMENT ACTIF : 70-80 % du pouls maximum

L'exercice à ce niveau ne convient qu'aux personnes en excellente condition physique et suppose un entraînement antérieur de longue date.

UNITE DES COMPTEURS

TOUCHES DE FONCTION

START

Met en route l'exercice choisi.

TOUCHES DE COMMANDE DE VITESSE (LIEVRE / TORTUE)

Appuyez sur la touche LIEVRE pour augmenter la vitesse par crans de 0,1 kmh; appuyez sur la touche TORTUE pour réduire la vitesse par crans de 0,1 kmh. Un appui prolongé sur ces touches permet de modifier plus rapidement la vitesse. La plage de vitesse du tapis est de 0,3 à 18,0 km/h.

TOUCHE DE COMMANDE D'INCLINAISON

En appuyant sur la touche inclinaison haut, vous augmentez l'inclinaison du tapis de course par incrémentation de 0,5 %, en appuyant sur la touche inclinaison bas, vous diminuez l'inclinaison du tapis de course par incrémentation de 0,5 %. Une pression plus longue accélère le changement. L'intervalle de changement de l'inclinaison est de 0 - 12 %.

TOUCHES FLÈCHEES

Dans les réglages de l'utilisateur, vous pouvez modifier les valeurs de réglage à l'aide des touches de réglage de la vitesse. Dans l'entraînement par contrôle de la fréquence cardiaque, vous

pouvez échelonner le fréquence cardiaque à l'aide des touches de réglage de la vitesse. Dans les programmes d'entraînement, vous pouvez échelonner le niveau d'effort à l'aide des touches de réglage de la vitesse. En appuyant sur la touche lièvre, vous augmentez le niveau d'effort, en appuyant sur la touche tortue, vous réduisez le niveau d'effort.

STOP / PAUSE / RESET

Pour arrêter l'entraînement, vous pouvez appuyer sur la touche STOP. Un appui sur la touche STOP vous permet d'arrêter le tapis et de passer en pause pour cinq minutes. Pour reprendre l'entraînement, il vous suffit d'appuyer sur la touche START. Lorsque cinq minutes de pause sont écoulées, l'exercice prend fin et l'appareil repasse à la phase initiale du choix des profils. Pour arrêter l'entraînement, vous pouvez également appuyer deux fois sur la touche STOP.

SELECT

Avant d'appuyer sur la touche START, vous pouvez choisir votre mode d'entraînement à l'aide de la touche SELECT. Durant l'exercice, vous pouvez choisir l'affichage de profil à l'aide de la touche SELECT.

ENTER

Validez votre choix (mode ou programme d'entraînement, réglages de l'utilisateur).

SET

Appuyer sur la touche SET pour faire des réglages ou les vérifier sur l'appareil.

SPEED - VITESSE

En mode d'entraînement manuel il est possible de faire un réglage rapide de la vitesse en appuyant sur la touche SPEED. Appuyer une première fois monte la vitesse à 5,4 km/h, la deuxième fois à 7,2 km/h et la troisième fois à 9,6 km/h. Une fois la vitesse maximum atteinte, appuyer sur la touche fait baisser la vitesse avec les mêmes paliers.

COOL DOWN

Appuyer sur la touche COOL DOWN met en route une phase de ralentissement automatique d'une durée de 5 minutes au bout desquelles le tapis s'arrête automatiquement. Dans les profils préprogrammés, la phase de ralentissement commence automatiquement à la fin du profil.

LOGICIEL T-WARE

Cet équipement est compatible avec le logiciel T-Ware que teste et gère votre condition physique. Adressez-vous à www.tunturi.com pour plus d'informations.

AFFICHAGES

HEART RATE (POULS D'ENTRAÎNEMENT).

45-220 bpm. Le voyant du pouls clignote toujours lorsque le compteur enregistre le rythme cardiaque.

KCAL

Estimation de la dépense calorique (0-9999 kcal) par crans de 1 kcal.

ELEVATION (ANGLE D'INCLINAISON)

0-12 %, par crans de 0,5 %.

TIME (DURÉE DE L'ENTRAÎNEMENT)

Durée de l'entraînement de 00:00 à 99:59, précision à la seconde, puis, de h1:40 à h9:59, précision à la minute.

DISTANCE

Distance parcourue en kilomètres (0.00-99,99 km) par crans de 0,01 km.

SPEED (VITESSE)

Vitesse du tapis en kilomètres (0,3 à 18,0 km/h) par crans de 0,1 km/h. Le voyant lumineux indique l'unité sélectionnée (km/h, mph, pace = minute / kilomètre).

GRAPHISME/AFFICHAGE DE TEXTE

Un affichage graphique indépendant donne des informations détaillées sur le profil d'entraînement, le champ du texte donne des instructions lors du démarrage et en cours d'exercice.

REGLAGES DE L'APPAREIL

1. Appuyer sur la touche SET.
2. Réglez les unités de mesure (Metric = système métrique, Imperial = unités anglaises); modifiez le réglage à l'aide des touches flèche, validez la valeur entrée en appuyant sur la touche ENTER et vous passez ensuite au réglage suivant.
3. Réglez le poids de l'utilisateur. Modifiez le réglage à l'aide des touches flèches, validez la valeur entrée à l'aide de la touche ENTER et vous passez ensuite au réglage suivant. Cette information est nécessaire pour l'évaluation de la consommation énergétique.
4. Indiquer le sexe (Male = homme, Female = femme); modifiez le réglage à l'aide des touches flèches, validez la valeur entrée à l'aide de la touche ENTER et vous passez ensuite au réglage suivant. Cette information est nécessaire pour l'évaluation de la consommation énergétique.
5. Indiquez l'âge de l'utilisateur; modifiez le réglage à l'aide des touches flèches, validez la valeur entrée en appuyant sur la touche ENTER et vous passez ensuite au réglage suivant. Cette information est nécessaire pour l'évaluation de la consommation énergétique.
6. Réglez l'utilisation de l'avertissement sonore (ON = avertissement sonore branché, OFF = les avertissements sonores ne sont pas branchés), validez la valeur entrée en appuyant sur la touche ENTER et vous passez ensuite au réglage suivant. Dans les exercices avec profil, le compteur indique à l'avance de manière sonore les changements de profil.
7. Régler les unités affichées à l'écran (km/h, min/km (pace), mph, min/mile (pace)). Modifiez le réglage à l'aide des touches flèches, validez la valeur entrée en appuyant sur la touche ENTER et vous passez

ensuite au réglage suivant. **IMPORTANT !** Le choix de l'unité peut être fait durant l'exercice: appuyer sur la touche SET une fois, modifiez le réglage à l'aide des touches flèches, et validez la valeur entrée en appuyant sur la touche ENTER.

8. Réglez la vitesse maximum du tapis à l'aide des touches fléchées pour les exercices contrôlés par fréquence cardiaque. Dans ces exercices, la vitesse est réglée en fonction du rythme cardiaque de la personne et elle pourrait devenir trop importante pour le bénéfice de l'exercice sans un réglage de la vitesse maximale. La valeur maximum par défaut est 12 km/h. Validez la valeur entrée en appuyant sur la touche ENTER et vous passez ensuite au réglage suivant.

9. L'affichage TOTAL TIME vous permet de visualiser la durée totale d'utilisation du tapis de course. Une pression sur la touche ENTER permet d'afficher l'écran suivant.

10. L'affichage TOTAL DISTANCE vous permet de visualiser la distance totale d'utilisation du tapis de course. Appuyez sur la touche ENTER pour quitter les réglages de l'appareil.

CHOIX DE L'ENTRAINEMENT

Appuyez sur la touche SELECT, jusqu'à ce que le voyant s'allume au niveau du programme d'entraînement désiré. Vous pouvez choisir entre:

1. Entraînement manuel, vous réglez vous-même aussi bien la vitesse que l'inclinaison durant l'entraînement.
2. Entraînement HRC par contrôle de la fréquence cardiaque, le tapis de course règle sa vitesse / inclinaison de manière automatique afin que l'entraînement se fasse en permanence au rythme cardiaque que vous aurez réglé, les profils à contrôle par fréquence cardiaque exigent toujours l'utilisation de la ceinture télémétrique.
3. Test de condition physique: le tapis vous offre deux types de test de condition physique, un test de 2 km de marche ainsi que le test de Cooper de 12 minutes de course.
4. Entraînement avec profil préprogrammé durant lequel la vitesse / l'angle ou le niveau cardiaque varient de manière préprogrammée.

P1: MANUAL

Quick start (Démarrage rapide):

1. L'entraînement manuel est le réglage par défaut du tapis de course. Vous pouvez commencer directement l'entraînement en appuyant sur la touche START. Le tapis se met en route à une vitesse de 1,5 km/h.

Démarrage par la sélection de programme:

2. Appuyez sur la touche SELECT, jusqu'à ce que le voyant s'allume à côté du texte Manual. Appuyez sur la touche ENTER pour valider le réglage.
3. Appuyez sur la touche START, le tapis se met en route à une vitesse de 1,5 km/h. Vous pouvez

HOMMES / POUVOIR MAXIMUM D'ABSORPTION D'OXYGÈNE (VO2MAX) 1 = TRÈS FAIBLE - 7 = EXCELLENTE							
AGE	1	2	3	4	5	6	7
18-19	<33	33-38	39-44	45-51	52-57	58-63	>63
20-24	<32	32-37	38-43	44-50	51-56	57-62	>62
25-29	<31	31-35	36-42	43-48	49-53	54-59	>59
30-34	<29	29-34	35-40	41-45	46-51	52-56	>56
35-39	<28	28-32	33-38	39-43	44-48	49-54	>54
40-44	<26	26-31	32-35	36-41	42-46	47-51	>51
45-49	<25	25-29	30-34	35-39	40-43	44-48	>48
50-54	<24	24-27	28-32	33-36	37-41	42-46	>46
55-59	<22	22-26	27-30	31-34	35-39	40-43	>43
60-65	<21	21-24	25-28	29-32	33-36	37-40	>40
FEMMES / POUVOIR MAXIMUM D'ABSORPTION D'OXYGÈNE (VO2MAX) 1 = TRÈS FAIBLE - 7 = EXCELLENTE							
AGE	1	2	3	4	5	6	7
18-19	<28	28-32	33-37	38-42	43-47	48-52	>52
20-24	<27	27-31	32-36	37-41	42-46	47-51	>51
25-29	<26	26-30	31-35	36-40	41-44	45-49	>49
30-34	<25	25-29	30-33	34-37	38-42	43-46	>46
35-39	<24	24-27	28-31	32-35	36-40	41-44	>44
40-44	<22	22-25	26-29	30-33	34-37	38-41	>41
45-49	<21	21-23	24-27	28-31	32-35	36-38	>38
50-54	<19	19-22	23-25	26-29	30-32	33-36	>36
55-59	<18	18-20	21-23	24-27	28-30	31-33	>33
60-65	<16	16-18	19-21	22-24	25-27	28-30	>30

réglage la vitesse à l'aide des touches Lièvre/Tortue et à l'aide de la touche SPEED. Vous pouvez régler l'inclinaison à l'aide des touches de commande d'inclinaison.

4. L'écran du profil affiche toutes les minutes les informations sur la vitesse de l'entraînement. Au bout de 20 minutes, l'affichage commence à se déplacer vers la gauche de sorte que les informations sur la vitesse sont indiquées pour les 20 dernières minutes. En appuyant sur la touche SELECT durant l'exercice, le champ textuel affiche la vitesse, l'angle, la fréquence cardiaque cumulés ainsi que le profil du parcours de course.

5. En appuyant une fois sur la touche STOP pendant l'entraînement, le tapis s'arrête et se met en mode pause pour une durée de 5 minutes. Pendant cette durée, vous pouvez reprendre le programme interrompu en appuyant sur la touche START. En appuyant deux fois sur la touche STOP le programme d'entraînement s'arrête, le compteur affiche alors les informations sur la performance et passe en mode veille.

P2: ENTRAINEMENT PAR CONTROLE DE LA

FREQUENCE CARDIAQUE

Les exercices à fréquence cardiaque constant permettent de s'entraîner à un niveau choisi de

vitesse de la fréquence cardiaque. Les profils contrôlés par la fréquence cardiaque requièrent toujours l'utilisation de la ceinture télémétrique. Si la mesure du rythme cardiaque ne fonctionne pas, le champ de texte affiche le message d'erreur suivant CHECK TRANSMITTER. Vérifiez dans ce cas que vous avez bien respecté les instructions données pour l'utilisation de la ceinture télémétrique.

1. Appuyez sur la touche SELECT, jusqu'à ce que le voyant s'allume à côté du texte HRC. Appuyez sur la touche ENTER pour valider le réglage.
2. Sélectionnez un modèle de contrôle cardiaque avec les touches fléchées:
 - A) Speed (Vitesse) = Le maintien du pouls à une valeur constante est basé sur la variation de vitesse du tapis. Si vous le souhaitez, vous pouvez changer l'inclinaison pendant l'exercice.
 - B) Elevation (Inclinaison) = Le maintien du pouls à une valeur constante est basé sur la variation de l'angle d'inclinaison du tapis. Dans cette forme d'entraînement, vous réglez vous-même la vitesse du tapis, soit à l'aide de la fonction PSC, soit à l'aide des touches lièvre et tortue.
 - C) Combination (Combinaison) = Le maintien du pouls à une valeur constante est basé sur un réglage équilibré et simultané de la vitesse et de l'angle d'inclinaison du tapis.
3. Appuyez sur la touche ENTER pour confirmer votre choix.
4. Réglez la valeur de pouls (80-180) à l'aide des touches fléchées. Appuyez sur la touche ENTER pour confirmer votre choix.
5. Appuyez sur la touche START pour commencer l'exercice. Vous pouvez régler le niveau de pouls à l'aide des touches de réglages flèches pendant l'exercice.
6. L'écran du profil affiche toutes les minutes les informations sur la vitesse de l'entraînement. Au bout de 20 minutes, l'affichage commence à se déplacer vers la gauche de sorte que les informations sur la vitesse sont indiquées pour les 20 dernières minutes. En appuyant sur la touche SELECT durant l'exercice, le champ textuel affiche la vitesse, l'angle, la fréquence cardiaque cumulés ainsi que le profil du parcours de course.
7. En appuyant une fois sur la touche STOP pendant l'entraînement, le tapis s'arrête et se met en mode pause pour une durée de 5 minutes. Pendant cette durée, vous pouvez reprendre le programme interrompu en appuyant sur la touche START. En appuyant deux fois sur la touche STOP le programme d'entraînement s'arrête, le compteur affiche alors les informations sur la performance et passe en mode veille.

P3: TEST DE CONDITION PHYSIQUE

Le tapis de course permet de passer deux tests différents de condition physique. Un test de marche sur 2 km, moins éprouvant, qui doit être effectuée à marche soutenue. Pour les personnes en bonne condition physique, mieux vaut choisir le test de course de Cooper qui dure 12 minutes.

1. Appuyez sur la touche SELECT, jusqu'à ce que le voyant s'allume à côté du texte TEST. Appuyez sur la

touche ENTER pour valider le réglage.

2. Appuyez sur la touche SELECT, ce qui vous permet de choisir soit le test de marche de 2 km, soit le test de Cooper. Appuyez sur la touche ENTER pour valider le réglage.

LE TEST DE MARCHÉ 2 KM

Le test de marche nécessite l'utilisation du cardiofréquencemètre. Dans le test de marche, la condition physique est mesurée en fonction du rythme cardiaque durant l'exercice et sur la base de la durée nécessaire pour parcourir 2 km. Le test est précédé d'une séquence de 3 minutes d'échauffement. Tunturi vous recommande de continuer à marcher tranquillement après le test, pour que le pouls retombe doucement à sa valeur normale. Sur la base du test, le compteur affiche l'évaluation de votre pouvoir d'absorption d'oxygène maximal.

MISE EN ROUTE DU TEST DE MARCHÉ:

1. Le compteur demande la taille (HEIGHT) de la personne: réglez votre taille à l'aide des touches fléchées. Validez votre réglage à l'aide de la touche ENTER.
2. Le compteur demande le sexe (SEX) de la personne: indiquez votre sexe à l'aide des touches fléchées. Validez votre réglage à l'aide de la touche ENTER.
3. Le compteur demande le poids (WEIGHT) de la personne: réglez votre poids à l'aide des touches fléchées. Validez votre réglage à l'aide de la touche ENTER.
4. Le compteur demande l'âge (AGE) de la personne: entrez votre âge à l'aide des touches fléchées. Validez votre réglage à l'aide de la touche ENTER.
5. L'écran du compteur indique que la séquence d'échauffement de 3 minutes (WARM UP) peut commencer. Démarrez la séquence d'échauffement en appuyant sur la touche START.
6. L'angle du tapis de course se règle automatiquement à 1% d'angle, pour simuler la résistance au vent durant le test. Réglez la vitesse à l'aide des touches de vitesse. Pour l'échauffement, nous recommandons une cadence de marche légèrement plus soutenue qu'à l'ordinaire.
7. Durant la séquence d'échauffement le compte se fait à rebours pendant trois minutes. Lorsque l'horloge affiche 0:00, le compteur émet un signal sonore et le véritable test commence (TEST STARTED!).

RÉALISATION DU TEST DE MARCHÉ:

1. L'objectif de ce test est de parcourir 2 km en marchant le plus rapidement possible. Réglez vous-même la vitesse à l'aide des touches de vitesse. N'oubliez pas, il est interdit de courir durant le test!
2. Si le cardiofréquencemètre ne fonctionne pas, l'écran du compteur l'indique avec le texte CHECK TRANSMITTER. Vérifiez dans ce cas que vous avez bien respecté les instructions données pour l'utilisation de la ceinture télémétrique.
3. À la fin du parcours de 2 km, le compteur émet un signal sonore. Ensuite la phase de ralentissement pour une durée de 5 minutes se met

automatiquement en marche, puis le tapis s'arrête en fin de cycle. Le champ textuel du compteur indique le résultat de test sous la forme de pouvoir d'absorption d'oxygène, ainsi qu'une évaluation de la condition physique.

TEST DE COOPER

Le test de Cooper évalue le niveau de forme physique sur la base de la distance parcourue en courant pendant 12 minutes: plus la distance parcourue est longue, meilleure est votre forme physique. Le test est précédé d'une séquence de 3 minutes d'échauffement. Tunturi vous recommande de continuer à marcher tranquillement après le test, pour que le pouls retombe doucement à sa valeur normale. Sur la base du test, le compteur affiche l'évaluation de votre pouvoir d'absorption d'oxygène maximal.

DÉMARRAGE DU TEST DE COOPER:

1. L'écran du compteur indique COOPER SELECTED. Appuyez sur la touche ENTER pour valider le réglage.
2. Le compteur demande le sexe (SEX) de la personne: indiquez votre sexe à l'aide des touches fléchées. Validez votre réglage à l'aide de la touche ENTER.
3. Le compteur demande l'âge (AGE) de la personne: entrez votre âge à l'aide des touches fléchées. Validez votre réglage à l'aide de la touche ENTER.
4. L'écran du compteur indique que la séquence d'échauffement de 3 minutes (WARM UP) peut commencer. Démarrez la séquence d'échauffement en appuyant sur la touche START.
5. L'angle du tapis de course se règle automatiquement à 1% d'angle, pour simuler la résistance au vent durant le test. Réglez la vitesse à l'aide des touches de vitesse. Pour l'échauffement, nous recommandons une cadence de marche légèrement plus soutenue qu'à l'ordinaire.
6. Durant la séquence d'échauffement le compte se fait à rebours pendant trois minutes. Lorsque l'horloge affiche 0:00, le compteur émet un signal sonore et le véritable test commence (TEST STARTED!).

RÉALISATION DU TEST DE COOPER:

1. L'objectif du test est de parcourir la distance la plus longue possible pendant 12 minutes. Vous réglez vous-même la vitesse du tapis à l'aide des touches lièvre et tortue.
2. Le champ textuel du compteur donne l'estimation du résultat de test selon la vitesse utilisée.
3. Au bout de 12 minutes, le compteur émet un signal sonore. Ensuite la phase de ralentissement pour une durée de 5 minutes se met automatiquement en marche, puis le tapis s'arrête en fin de cycle. Le champ textuel du compteur indique le résultat de test sous la forme de pouvoir d'absorption d'oxygène, ainsi qu'une évaluation sur la condition physique.

P4-P16: PROGRAMMES D'ENTRAÎNEMENT

PREPROGRAMMES

Afin de vous assurer un entraînement agréable et répondant à vos objectifs, Tunturi a développé des programmes d'entraînement fonctionnant de différentes manières. Le compteur prévient à l'avance des changements dans le programme par un signal sonore. L'affichage du programme indique le mode de programme ainsi que les informations sur la colonne suivante du programme.

Le programme **P4** est basé sur le mode manuel, l'écran affiche un parcours de 400 m et le temps est contrôlé à chaque tour de piste.

1. Appuyez sur la touche SELECT, jusqu'à ce que le voyant s'allume à côté du texte Manual.
2. Appuyez sur la touche START, le tapis se met en route à une vitesse de 1,5 km/h. Vous pouvez régler la vitesse à l'aide des touches LIEVRE/TORTUE et à l'aide de la touche SPEED.
3. En appuyant sur la touche SELECT durant l'exercice, le champ textuel affiche la vitesse, l'angle, la fréquence cardiaque ainsi que le profil du parcours de course.
4. En appuyant une fois sur la touche STOP pendant l'entraînement, le tapis s'arrête et se met en mode pause pour une durée de 5 minutes. Pendant cette durée, vous pouvez reprendre le programme interrompu en appuyant sur la touche START. En appuyant deux fois sur la touche STOP le programme d'entraînement s'arrête, le compteur affiche alors les informations sur la performance et passe en mode veille.

Le programme **P5** couvre une distance de 5km, le **P6** de 10 km. Le profil d'angle du programme est préprogrammé, le réglage de la vitesse se fait manuellement. Le profil d'angle est échelonnable.

1. Appuyez sur la touche SELECT, jusqu'à ce que le voyant s'allume au niveau du programme (5-6) désiré.
2. Appuyez sur la touche START, l'exercice commence et le tapis se met en route.
3. Vous pouvez échelonner le niveau de vitesse du profil à l'aide des touches flèches.
4. En appuyant une fois sur la touche STOP pendant l'entraînement, le tapis s'arrête et se met en mode pause pour une durée de 5 minutes. Pendant cette durée, vous pouvez reprendre le programme interrompu en appuyant sur la touche START. En appuyant deux fois sur la touche STOP le programme d'entraînement s'arrête, le compteur affiche alors les informations sur la performance et passe en mode veille.
5. La phase de ralentissement commence automatiquement à la fin du profil. Le tapis s'arrête automatiquement.

Les programmes **P7** et **P8** sont basés sur la fonction de contrôle par fréquence cardiaque. Le programme **P7** dure 15 minutes et il est particulièrement conçu pour être un programme d'échauffement en vue

d'autres entraînements Le programme P8 dure 30 minutes et il est conçu comme un programme aérobic de base. Les profils avec contrôle par fréquence cardiaque requièrent toujours l'utilisation d'une ceinture télémétrique. Si la mesure du rythme cardiaque ne fonctionne pas, le champ de texte affiche le message d'erreur suivant CHECK TRANSMITTER. Vérifiez alors que vous avez bien respecté les instructions données pour l'utilisation de la ceinture télémétrique.

1. Appuyez sur la touche SELECT, jusqu'à ce que le voyant s'allume au niveau du programme (7-8) désiré. Appuyez sur la touche ENTER pour valider le réglage.
2. Sélectionnez un modèle de contrôle cardiaque avec les touches fléchées.
3. Appuyez sur la touche START, l'exercice commence et le tapis se met en route. Vous pouvez échelonner le niveau de vitesse du programme à l'aide des touches flèches, par incréments de 1 % vers le haut et vers le bas.
4. En appuyant une fois sur la touche STOP pendant l'entraînement, le tapis s'arrête et se met en mode pause pour une durée de 5 minutes. Pendant cette durée, vous pouvez reprendre le programme interrompu en appuyant sur la touche START. En appuyant deux fois sur la touche STOP le programme d'entraînement s'arrête, le compteur affiche alors les informations sur la performance et passe en mode veille.
5. La phase de ralentissement commence automatiquement à la fin du profil. Le tapis s'arrête automatiquement.

Les programmes 9 à 11 sont des programmes d'entraînement de niveaux et de degrés variés dans lesquels la vitesse et l'angle sont préprogrammés. Vous pouvez échelonner la vitesse au niveau souhaité et régler la durée de l'exercice en fonction de la durée ou de la distance.

1. Appuyez sur la touche SELECT, jusqu'à ce que le voyant s'allume au niveau du profil (9-11) désiré. Appuyez sur la touche ENTER pour valider le réglage.
2. Réglez la distance / durée du programme. Appuyez sur la touche SELECT pour passer d'une valeur préprogrammée à l'autre. Vous pouvez changer la valeur avec les touches flèches (valeurs limite 10 minutes (0:10) – 3 heures (h3:00), modifications par crans de 5 minutes / 3 km – 42 km, modifications par crans de 1 km).
3. Appuyez sur la touche START, l'exercice commence et le tapis se met en route. Vous pouvez échelonner le niveau de vitesse du profil à l'aide des touches flèches, par incréments de 1 % vers le haut et vers le bas. En appuyant sur la touche SELECT durant l'exercice, l'écran affiche le profil de vitesse et d'angle durant l'entraînement.
4. En appuyant une fois sur la touche STOP pendant l'entraînement, le tapis s'arrête et se met en mode pause pour une durée de 5 minutes. Pendant cette durée, vous pouvez reprendre le programme interrompu en appuyant sur la touche START. En appuyant deux fois sur la touche STOP le

programme d'entraînement s'arrête, le compteur affiche alors les informations sur la performance et passe en mode veille.

5. La phase de ralentissement commence automatiquement à la fin du profil. Le tapis s'arrête automatiquement.

Le programme 12 est un exercice de type intervallaire, vous pouvez régler la distance et la durée en cours d'exercice et vous déterminez vous-même la vitesse du tapis.

1. Appuyez sur la touche SELECT, jusqu'à ce que le voyant s'allume à côté du programme 12. Appuyez sur la touche ENTER pour valider le réglage.
2. Réglez la distance / durée du programme. Appuyez sur la touche SELECT pour passer d'une valeur préprogrammée à l'autre. Vous pouvez changer la valeur avec les touches flèches (valeurs limite 10 minutes (0:10) – 3 heures (h3:00), modifications par crans de 5 minutes / 3 km – 42 km, modifications par crans de 1 km).
3. Appuyez sur la touche START, l'exercice commence et le tapis se met en route. Réglez la vitesse à l'aide des touches de réglage de la vitesse.
4. Vous pouvez échelonner le profil d'inclinaison à l'aide des touches flèches.
5. En appuyant une fois sur la touche STOP pendant l'entraînement, le tapis s'arrête et se met en mode pause pour une durée de 5 minutes. Pendant cette durée, vous pouvez reprendre le programme interrompu en appuyant sur la touche START. En appuyant deux fois sur la touche STOP le programme d'entraînement s'arrête, le compteur affiche alors les informations sur la performance et passe en mode veille.
6. La phase de ralentissement commence automatiquement à la fin du profil. Le tapis s'arrête automatiquement.

Les programmes HRC (13-16) sont des programmes d'entraînement avec contrôle par fréquence cardiaque et différents niveaux d'effort dans lesquels vous pouvez régler vous-même la durée de l'exercice. Les programmes avec contrôle par fréquence cardiaque requièrent toujours l'utilisation d'une ceinture télémétrique. Si la mesure du rythme cardiaque ne fonctionne pas, le champ de texte affiche le message d'erreur suivant CHECK TRANSMITTER. Vérifiez alors que vous avez bien respecté les instructions données pour l'utilisation de la ceinture télémétrique.

1. Appuyez sur la touche SELECT, jusqu'à ce que le voyant s'allume au niveau du programme (13-16) désiré. Appuyez sur la touche ENTER pour valider le réglage.
2. Sélectionnez un modèle de contrôle cardiaque avec les touches fléchées. Appuyez sur la touche ENTER pour valider le réglage.
3. Vous accédez au réglage de durée / distance souhaitée du programme. Le dernier réglage de durée est visible sur l'écran numérique. Appuyez sur la touche SELECT pour passer d'une valeur préprogrammée à l'autre. Vous pouvez changer la

valeur avec les touches flèches (valeurs limite 10 minutes (0:10) – 3 heures (h3:00), modifications par crans de 5 minutes / 3 km – 42 km, modifications par crans de 1 km). Appuyez sur la touche ENTER pour valider le réglage. Le réglage reste dans la mémoire du compteur tant qu'il n'est pas remplacé par une nouvelle valeur.

4. Appuyez sur la touche START, l'exercice commence et le tapis se met en route. Vous pouvez échelonner le niveau de vitesse du programme à l'aide des touches flèches, par incréments de 1 % vers le haut et vers le bas.

5. En appuyant sur les touches de commande de vitesse vous pouvez régler la vitesse maximum du tapis.

6. En appuyant une fois sur la touche STOP pendant l'entraînement, le tapis s'arrête et se met en mode pause pour une durée de 5 minutes. Pendant cette durée, vous pouvez reprendre le programme interrompu en appuyant sur la touche START. En appuyant deux fois sur la touche STOP le programme d'entraînement s'arrête, le compteur affiche alors les informations sur la performance et passe en mode veille.

7. La phase de ralentissement commence automatiquement à la fin du profil. Le tapis s'arrête automatiquement.

PROFILS DES PROGRAMMES (Les figures se trouvent à fin de ce mode d'emploi)

P4 (Track) est basé sur la fonction manuelle, l'écran affiche un parcours de 400 m et le temps est contrôlé à chaque tour de piste. Ce profil est particulièrement adapté pour les pratiquants de la discipline et comme fonction de compétitions pour réaliser des performances personnelles. Le réglage de la piste de vitesse permet de simuler la résistance du vent.

P5 (5K Course). La distance fixe du programme est de 5 km. Le profil d'angle du programme est préprogrammé, le réglage de la vitesse se fait manuellement. Le profil d'angle est échelonné. Le programme convient aux coureurs et à l'entraînement de la discipline. 5km est une distance de compétition appréciée, le programme peut donc idéalement être utilisé pour contrôler son propre niveau de performance. Avec les réglages préprogrammés, l'angle moyen est de 1,1% et l'angle maximal est de 3%.

P6 (10K Course). La distance fixe du programme est de 10 km. Le profil d'angle du programme est préprogrammé, le réglage de la vitesse se fait manuellement. Le profil d'angle est échelonné. Le programme convient aux coureurs et à l'entraînement de la discipline. 10 km est une distance de compétition appréciée, le programme peut donc idéalement être utilisé pour contrôler son propre niveau de performance. Avec les réglages préprogrammés, l'angle moyen est de 0,875% et l'angle maximal est de 3%.

P7 (15 Min Warm Up). Le programme est basé sur

la fonction de contrôle par fréquence cardiaque. Le programme P7 dure 15 minutes et il est particulièrement conçu pour être un programme d'échauffement en vue d'autres entraînements. Avec les réglages préprogrammés, le rythme cardiaque moyen est de 113, le pic est à 122.

P8 (30 Min Health). Le programme est basé sur la fonction de contrôle par fréquence cardiaque. La durée fixe du programme est de 30 minutes et il est conçu pour être un programme aérobie de base. Avec les réglages préprogrammés le rythme cardiaque moyen est de 117, le pic est à 126.

P9 (Hill Walk). Le programme est conçu avec des changements d'angles réguliers et une cadence de marche plutôt soutenue et régulière. Ce programme convient aux débutants et aux personnes pratiquant la marche. Avec les paramètres standard, la vitesse moyenne est de 5,2 km/h et la vitesse maximale de 5,8 km/h, l'angle moyen est de 2,7%.

P10 (Hill Jog). Le programme est basé sur des changements d'angles variables et une cadence de course relativement régulière et pas trop poussée. Ce programme convient aux débutants et pour les personnes souhaitant entretenir leur forme physique. Avec les paramètres standard, la vitesse moyenne est de 6,9 km/h et la vitesse maximale de 7,2 km/h, l'angle moyen est de 1,9%.

P11 (Hill Run). Le programme est basé sur un angle régulier et peu prononcé ainsi que sur une cadence de course soutenue à changements réguliers. Ce programme convient aux personnes pratiquant la course à pied. Avec les paramètres standard, la vitesse moyenne est de 11,6 km/h et la vitesse maximale de 12,5 km/h, l'angle moyen est de 1,8%.

P12 (Rolling Hills). Le programme de distance: vous pouvez régler la distance du profil en kilomètres. Ce programme est développé particulièrement pour les pratiquants de la discipline, mais apporte également un changement aux exercices de maintien de forme physique. La distance maximale est de 42 km, 3km avec les paramètres pré réglés, réglage tous les 1 km. Les paramètres d'angle sont de type intervallaire, l'angle moyen est de 2,4 %.

P13 (Fatburner 1). Le programme cardiaque à puissance basse, basé sur une augmentation et une baisse régulières du rythme cardiaque. Ce programme convient au contrôle du poids. Avec les paramètres préprogrammés, le taux cardiaque moyen est de 114, le taux maximal de 125.

P14 (Fatburner 2). Le programme cardiaque à puissance moyenne, basé sur une augmentation et une baisse du rythme cardiaque de type intervallaire. Ce programme convient au maintien de la forme physique et au contrôle du poids. Avec les paramètres préprogrammés, le taux cardiaque moyen est de 122, le taux maximal de 136.

P15 (Cardio). Le programme cardiaque de puissance moyenne, basée une augmentation et une

baisse régulière du rythme cardiaque, le rythme cardiaque est aux environs de 130-140 pendant presque tout l'exercice. Ce programme convient parfaitement au maintien de la forme physique. Avec les paramètres préprogrammés, le taux cardiaque moyen est de 129, le taux maximal de 145.

P16 (Fit). Le programme cardiaque de puissance élevé, basé sur une augmentation et une baisse régulière du rythme cardiaque, le rythme cardiaque est aux environs de 135-145 pendant presque tout l'exercice. Ce programme convient au maintien et au développement de la forme physique. Avec les paramètres préprogrammés, le taux cardiaque moyen est de 133, le taux maximal de 150.

ENTRETIEN

Pour que l'équipement puisse être utilisé en toute sécurité, il doit être régulièrement entretenu et il faut surveiller les facteurs susceptibles de provoquer des dérangements (usure des pièces, etc.). Vérifiez une fois par an le serrage de toutes les vis et écrous. Si l'une des pièces de l'équipement présente un défaut, elle doit être immédiatement changée. L'équipement ne doit pas être utilisé s'il n'est pas en parfait état de marche.

NETTOYAGE DE L'APPAREIL ET GRAISSAGE

DE LA PLAQUE DE BASE

L'ABSENCE DE LUBRIFICATION DU TAPIS DE COURSE PEUT ENTRAINER L'ANNULATION DE LA GARANTIE !

Nettoyez la barre de soutien et l'unité des compteurs à l'aide d'un chiffon humide. N'utilisez pas de solvant. Dépoussiérez les parties visibles du châssis (entre autres tapis, plateforme et bords) régulièrement à l'aide d'un aspirateur avec bouche d'aspiration de petite taille. Passez aussi le dessous du tapis à l'aspirateur. Veillez à ce que l'environnement du tapis de course soit propre. À l'usage, le tapis de course accumule de la poussière par ex. ce qui peut poser des problèmes dans le fonctionnement de l'appareil.

Dans le cas d'une utilisation moyenne à la maison (60 minutes par jour maximum), vérifiez la lubrification une fois par mois. Cependant, ne lubrifiez la courroie que si nécessaire. Si l'utilisation du tapis de course est plus intensive, la lubrification doit être vérifiée plus souvent. Il est préférable de le faire avant chaque séance d'entraînement. Pour vérifier la lubrification, procédez comme suit :

1. Assurez-vous que le tapis de course est éteint. Montez sur la courroie de course et placez-vous à l'emplacement où vous courez normalement.
2. Prenez appui avec vos mains sur le guidon et poussez la courroie avec vos pieds d'avant en arrière. La courroie doit alors se déplacer doucement et régulièrement, sans bruit.

3. Si vous remarquez des mouvements brusques ou si la courroie ne se déplace pas, vérifiez la lubrification en passant votre main sous la courroie.

Pour lubrifier, procédez comme suit :

1. Fixez l'embout de pulvérisation sur le tube T-Lube S.
2. Elevez la planche de course à sa hauteur maximale.
3. Placez le pulvérisateur entre le tapis et la planche. Dirigez le pulvérisateur le plus près possible du centre de la planche de course.
4. Pulvériser le lubrifiant pendant 2-3 secondes.
5. Abaissez le tapis en position normale. Exécutez votre séance d'entraînement sur le tapis de course ou faites fonctionner le tapis de course pendant au moins 5 minutes.

ATTENTION ! Pour lubrifier votre tapis de course, utilisez uniquement un lubrifiant silicone T-Lube S. Si vous souhaitez acheter du lubrifiant T-Lube ou obtenir des informations sur la lubrification et la maintenance, contactez votre distributeur Tunturi local.

REGLAGE DE L'ALIGNEMENT DU TAPIS

Surveillez la course de tapis pendant l'entraînement et effectuez immédiatement les opérations de réglage décrites ci-dessous si nécessaire. En marche, le tapis doit tourner bien en ligne. En général, le tapis n'a pas à être réaligné, si

- l'appareil a été placé sur une surface bien plane et le tapis est tendu comme il faut
- l'alignement de l'appareil est correct

À l'usage cependant, du fait par exemple que le mouvement de course de l'utilisateur peut être irrégulier, il peut arriver que le tapis se mette à dévier sur le côté. Si le tapis dévie pour déborder sur l'un des côtés, procédez comme suit :

1. Réglez la vitesse à 5 km/h.
2. Si le tapis dévie vers la gauche, tourner la vis gauche se trouvant à l'arrière du tapis d'un huitième de tour dans le sens horloge et la vis droite d'un huitième de tour dans le sens inverse. Tourner les vis d'un huitième de tour influe déjà grandement sur la course du tapis et il est donc conseillé de tourner les vis peu à la fois. Si par contre le tapis dévie vers la droite, tourner la vis droite se trouvant à l'arrière du tapis d'un huitième de tour dans le sens horloge et la vis gauche d'un huitième de tour dans le sens inverse.
3. Vérifiez que le tapis tourne maintenant bien en ligne. Dans le cas contraire, poursuivez comme indiqué précédemment.

Ce réglage est important car si on laisse le tapis dévier sur un côté, il risque d'apparaître des anomalies de fonctionnement. La garantie ne couvre pas ces anomalies éventuelles.

REGLAGE DE LA TENSION DU TAPIS

Si en utilisation le tapis commence à patiner, il faudra régler sa tension. Laissez tout de même toujours le plus de jeu possible. Le réglage de la tension s'effectue à l'aide des mêmes vis que ceux de l'alignement.

1. Réglez la vitesse à 5 km/h.
2. Tourner les deux vis d'un huitième de tour dans le sens horloge.
3. Ralentissez la marche du tapis en faisant comme si vous descendiez le long d'une pente raide. Si le tapis continue à patiner, répétez les points 2 et 3.

Remarquez que si vous ralentissez trop fortement, il est normal que le tapis se mette à patiner. Si le tapis patine en permanence malgré les réglages, contactez votre vendeur.

DEFAUTS DE FONCTIONNEMENT

ATTENTION ! En dépit d'un contrôle continu de la qualité, l'appareil peut présenter des défauts ou des anomalies de fonctionnement provenant de certains de ses composants. Dans ce cas, il n'est pas cependant nécessaire d'aller faire réparer votre appareil, le problème pouvant bien souvent être résolu par simple changement de la pièce défectueuse.

Si votre tapis se comporte de façon anormale, placer l'interrupteur en position O et attendez environ 1 minute. Remettez le tapis en marche et vérifiez que l'anomalie a disparu. Si l'anomalie a disparu, vous pouvez utiliser votre appareil de façon normale. Si l'anomalie n'a pas disparu, contactez votre vendeur.

Contactez votre distributeur au cas où vous remarqueriez un défaut ou un mauvais fonctionnement de votre l'appareil ou si vous avez besoin de pièces de rechange. Indiquez-lui la nature du problème, les conditions d'utilisation, la date d'achat, le modèle et le numéro de série. Vous trouverez la liste des pièces détachées à la fin de ce mode d'emploi. Seules des pièces mentionnées dans la liste des pièces de rechange peuvent être utilisées dans l'appareil.

CODER D'ERREUR

Lorsqu'elle détecte un défaut de fonctionnement, l'interface affiche un code d'erreur sur l'écran.

SYSTEM CHECK FAILED - Mauvais fonctionnement éventuel de la commande du moteur. Débrancher le courant du tapis de course à partir de l'interrupteur principal, attendre une minute et remettre en marche. Si le message d'erreur n'apparaît plus, vous pouvez utiliser l'appareil normalement. Si le message d'erreur ne disparaît pas, prendre contact avec le vendeur de l'appareil.

SPEED SENSOR ERROR - Mauvais fonctionnement du capteur de vitesse. Prendre contact avec le vendeur

de l'appareil.

MOTOR SPEED ERROR - Mauvais fonctionnement du réglage de vitesse de la piste. Vérifier que vous utilisez l'appareil de manière appropriée : ne poussez pas la piste avec vos pieds. Débrancher le courant du tapis de course à partir de l'interrupteur principal, attendre une minute et remettre en marche. Si le message d'erreur n'apparaît plus, vous pouvez utiliser l'appareil normalement. Si le message d'erreur ne disparaît pas, prendre contact avec le vendeur de l'appareil.

MOTOR OVERLOAD - Surcharge du moteur. Vérifier que vous utilisez l'appareil de manière appropriée : ne freinez pas la piste. Vérifier que la piste est suffisamment lubrifiée, si nécessaire, procéder à une lubrification d'entretien. Débrancher le courant du tapis de course à partir de l'interrupteur principal, attendre une minute et remettre en marche. Si le message d'erreur n'apparaît plus, vous pouvez utiliser l'appareil normalement. Si le message d'erreur ne disparaît pas, prendre contact avec le vendeur de l'appareil.

LIFT MOTOR ERROR - Mauvais fonctionnement du moteur de levage. Prendre contact avec le vendeur de l'appareil.

LIFT MOTOR OVERLOAD - Surcharge du moteur de levage. Vérifier que vous utilisez l'appareil de manière appropriée : ne surchargez pas le moteur en changeant en permanence le réglage d'angle. Débrancher le courant du tapis de course à partir de l'interrupteur principal, attendre une minute et remettre en marche. Lors de la mise en marche, le tapis effectue automatiquement le calibrage du moteur de levage. Si le message d'erreur n'apparaît plus, vous pouvez utiliser l'appareil normalement. Si le message d'erreur ne disparaît pas, prendre contact avec le vendeur de l'appareil.

CODE D'ENTRETIEN

CHECK LUBRICATION. Vérifier que la piste est suffisamment lubrifiée. Si nécessaire, procéder à une lubrification d'entretien. Appuyez deux fois sur la touche ENTER, et le code disparaît.

TRANSPORT ET RANGEMENT

Déplacer le T90 de la manière suivante : débrancher le courant à partir du commutateur et débrancher le fil électrique de la prise et du tapis de course. Placez-vous derrière l'équipement et attrapez le profil en aluminium situé à l'arrière de l'équipement. Soulevez la partie arrière de l'équipement de telle manière qu'il repose sur les roulettes de transport. Déplacez l'équipement en le poussant sur les roulettes de transport. Abaissez prudemment la piste.

ATTENTION ! Placez une protection sous l'appareil. Transporter l'appareil avec l'attention extrême au-dessus des surfaces inégales, par exemple au-dessus d'une marche. L'appareil ne doit jamais être

transporté dans les escaliers à l'aide des roulettes de transport, au lieu de cela il doit être porté. Le déplacement de l'équipement peut abîmer certains revêtements de sol, par ex. les parquets en bois. Dans ce cas, veillez à protéger le sol. Il peut être nécessaire d'ajuster à nouveau l'alignement du tapis après un déplacement de l'appareil.

Pour garantir un bon fonctionnement à votre appareil, rangez-le dans un endroit sec, sans variations de température importantes, et protégez-le contre les poussières. N'oubliez pas de débrancher votre appareil après chaque utilisation.

CARACTERISTIQUES TECHNIQUES

Longueur	214 cm
Hauteur	143 cm
Largeur	91 cm
Poids.....	126 kg
Surface de course	52 x 158 cm
Vitesse	0,3-18,0 km/h
Angle d'inclinaison	0-12 %
Moteur	3,5 ch

Les appareils Tunturi ont été conçus afin de satisfaire aux exigences posées par la directive communautaire concernant la compatibilité électromagnétique, EMC (89/336/CEE) et les appareils électriques destinés à une utilisation dans certaines limites de tensions (72/23/CEE). Les produits portent en conséquence le label CE. Le T90 est conforme aux normes CEN de définition et de sécurité (Classe SA, EN-957, paragraphe 1 et 6).

Du fait de sa politique de développement continu des produits, Tunturi se réserve le droit de modifier les spécifications sans préavis.

ATTENTION ! La garantie ne couvre pas les dommages dus à une négligence des instructions d'assemblage, de réglages ou de maintenance données dans ce mode d'emploi. Suivez les instructions scrupuleusement pour l'assemblage, l'utilisation et la maintenance de votre équipement. Des changements ou modifications non expressément approuvés par Tunturi Oy Ltd rendront nulle l'autorité de l'utilisateur sur l'équipement.

Nous vous souhaitons d'agréables et nombreuses séances d'exercice avec votre partenaire d'entraînement Tunturi!

INHOUD

MONTAGE.....	40
(Verlengde handgrepen).....	100
FITNESS TRAINING	41
BEGINNEN MET DE TRAINING	42
HARTSLAG	42
MONITOR.....	43
TRAININGSKEUZE.....	45
ONDERHOUD	49
GEBRUIKSSTORINGEN.....	50
STORINGEN	50
TRANSPORT EN OPSLAG.....	50
TECHNISCHE GEGEVENS	51

OPMERKINGEN EN ADVIEZEN

Deze gids is een essentieel onderdeel van uw Tunturi looptrainer. Lees deze gids zorgvuldig door vóóordat u begint met monteren, gebruiken of onderhouden van uw looptrainer. Bewaar de gids op een handige plaats. U kunt er, nu en in de toekomst, nuttige informatie uithalen die u nodig heeft voor het gebruik en het onderhoud van de apparatuur. Volg de instructies altijd met zorg op.

- De trainer mag alleen worden aangesloten op een geaard stopcontact. Het stroomverbruik bedraagt maximaal 10 A. Spanningsfluctuaties van meer dan 12 % kunnen storingen in de werking van de trainer veroorzaken of de elektronische componenten beschadigen. Indien de netspanning onvoldoende gereguleerd is of de trainer anderszins niet overeenkomstig deze gebruiksaanwijzing wordt aangesloten, vervalt de garantie.
- De T90 mag alleen worden aangesloten op een geaard stopcontact. Het gebruik van een verlengsnoer is niet toegestaan.
- Beperk u tot het onderhoud en instellingen zoals in deze handleiding worden beschreven. Stop direct als zich andere problemen voordoen en vraag advies bij uw Tunturi specialist.
- Laat, voordat u met trainen begint, door een arts uw gezondheid controleren.
- Mocht u tijdens het trainen last krijgen van misselijkheid, duizeligheid of andere niet normale verschijnselen, stop dan direct uw training en raadpleeg een arts.
- Bij het afstellen en het onderhouden van de trainer dient u deze gebruiksaanwijzing op te volgen. Bij montage- en onderhoudswerkzaamheden dient u eerst de hoofdschakelaar van de looptrainer, uit te schakelen en de stekker uit het stopcontact te nemen.
- De T90 mag niet worden gebruikt door personen die zwaarder zijn dan 150 kg.
- Gebruik de looptrainer alleen binnenshuis. De ideale gebruikstemperatuur is tussen +10°C en +35°C. De luchtvochtigheid mag nooit hoger dan 90 % zijn.
- Nadere informatie over de garantie op uw trainingstoestel vindt u in het bijgesloten garantieboekje. De garantie vervalt bij schade ontstaan tijdens de verzending of door het niet volgen van de in deze handleiding gegeven instructies betreffende het monteren, afstellen en

onderhoud van het apparaat.

WELKOM IN DE WERELD VAN TUNTURI-TRAINING!

Uw keuze toont aan dat u echt in uw gezondheid en conditie wilt investeren. Het bewijst ook, dat u kwaliteit en stijl belangrijk vindt en dit waardeert. Met deze Tunturi looptrainer heeft u een veilig en motiverend, kwaliteitsproduct als trainingspartner gekozen. Wat uw trainingsdoel ook is, wij zijn ervan overtuigd dat de keuze van deze trainer de juiste is, om uw doel te bereiken. Informatie betreffende het gebruik van Uw trainingsapparatuur en een efficiënte training hiermede kunt U in deze gids en Tunturi's website WWW.TUNTURI.NL vinden.

MONTAGE

Controleer of de verpakking alle onderdelen bevat:

VERPAKKING 1/3

1. Looptainer
2. Elektriciteitsnoer

VERPAKKING 2/3

3. Voorleuningen
4. Handsteun-monitor combinatie
5. Set met montagebenodigdheden (met * in de onderdelenlijst): Bewaar de montagebenodigdheden, omdat u die o.a. nog bij de bijstelling van de apparatuur kunt gebruiken.

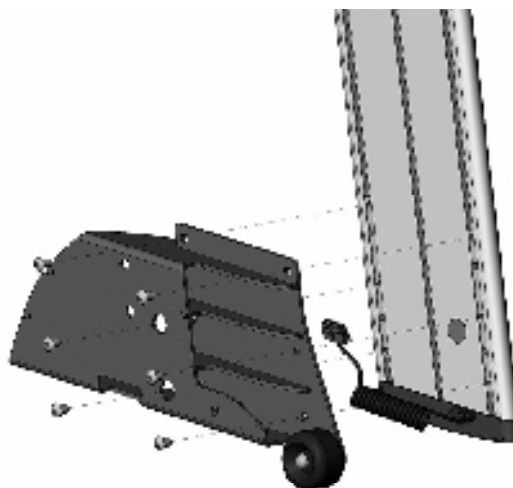
VERPAKKING 3/3

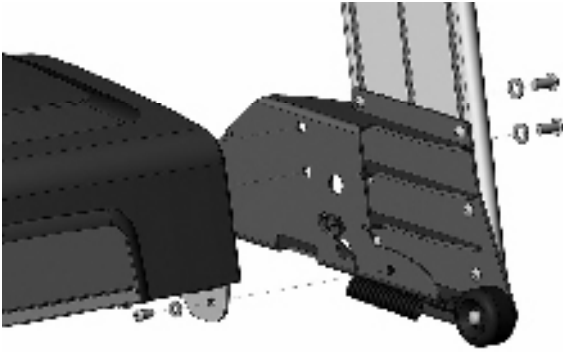
6. Verlengde handgrepen (montage: pagina 100)

De aanduidingen rechts, links, voor en achter betekenen steeds rechts, links enz. gezien vanuit de gebruiker, staande op de looptainer. Neem bij problemen contact op met uw Tunturi dealer. Voor de montage zijn twee personen nodig. Monteer de looptainer als volgt:

Maak beide verpakkingen open en verwijder alle losse piepschuimstukken.

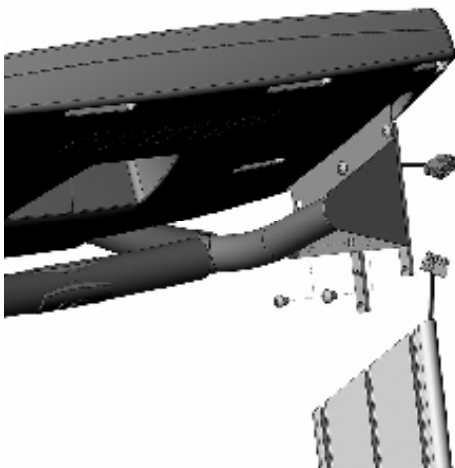
VOORLEUNINGEN





Bevestig de montagestukken van de voorleuningen aan de onderste uiteinden van de voorleuningen. Beide montagestukken worden bevestigd met 6 inbusbouten (A). Draai de bouten strak vast. De linker handrail en bevestigingsstuk zijn gemarkeerd met een rode sticker. Bevestig elk van beide voorleuningen aan het looponderstel met 2 zeskantbouten (B) en ringen (C), 1 zeskantbout (D) en 1 ring (E). Pas op dat het snoer dat uit de linker voorleuning komt niet beschadigd raakt. **BELANGRIJK!** Draai de schroeven pas strak vast, nadat u de handsteun en de monitor gemonteerd heeft.

HANDSTEUN EN MONITOR



Draai de glijstukken op de zijkanten van de handsteunen naar beneden, zodat u elk van de glijstukken via de onderste montageopeningen in de handsteun kunt bevestigen met de bevestigingsbout (F). Bevestig de glijstukken in dit stadium nog zo los mogelijk. Haal de inbusbouten niet uit de glijstukken, maar draai deze vast. Laat de combinatie handsteun-monitor op de voorleuningen zakken, op zo'n manier dat de glijstukken op de zijkanten van de handsteunen in de groeven van de voorleuningen komen te zitten. Verbind het snoer dat uit de linker handsteun komt met de stekker van de monitor en duw het zo aangesloten snoer de handsteun in. Duw nu de combinatie handsteun-monitor op de uiteinden van de voorleuningen en draai alle inbusbouten van de glijstukken vast.

Pas op dat het polssnoer niet beschadigd raakt: het polssnoer moet in de middelste groef

van de voorleuning liggen. Draai daarna de bevestigingsschroeven van de voorleuningen strak. Trek het beschermende folie van het display af.

Sluit het snoer dat uit de linker handsteun komt aan op de connector die links onder het looponderstel zit. Dit gaat gemakkelijker als u de lootrainer aan de linker kant iets optilt zodat hij op zijn rechter zijkant komt te rusten.

NOODSTOP

De looptrainer en het bedieningspaneel werken alleen indien de veiligheidssleutel correct is geplaatst: als de veiligheidssleutel niet of niet juist is geplaatst, verschijnt op het display een foutmelding. (error Insert Safety Key). Controleer of de knipper van de veiligheidssleutel goed aan uw kleding is bevestigd. Het koord van de sleutel mag, wanneer er aan getrokken wordt, niet los kunnen schieten van uw kleding voordat de sleutel uit het bedieningspaneel komt.

ELEKTRICITEITSSNOER

Controleer, vóór u het apparaat aansluit op het elektriciteitsnet, of het voltage overeenkomt met het voltage dat aangegeven staat op het typeplaatje van uw apparatuur. Sluit de stroom aan het toestel met de stroomschakelaar naast de stekker aan. **BELANGRIJK!** De T90 mag alleen worden aangesloten op een geaard stopcontact. Het gebruik van een verlengsnoer is niet toegestaan.

FITNESS TRAINING

Men moet zich voor de training zorgvuldig op de hoogte stellen van de werking en het gebruik van deze motorisch aangedreven lootrainer.

Trainen op een looptrainer is een uitstekende aërobe training. Het basisidee is een voldoende lichte training die langere tijd kan worden volgehouden. Aërobe training bevordert het zuurstofopnamevermogen van het lichaam, waardoor ook het uithoudingsvermogen en de conditie verbeteren. Het menselijk vermogen tot vermogen tot het verbranden van vet is afhankelijk van dit zuurstofopnamevermogen.

Aerobische lichaamsbeweging moet vooral prettig aanvoelen. Zweeten "moet", maar de hartslag mag niet te hoog worden. Zo kan men ook langer trainen. De aanbevolen trainingstijd is drie keer per week 30-60 minuten, afhankelijk van de basisconditie, het gewenste effect en de mogelijkheid om te trainen.

Als u wilt trainen door te wandelen, kunt u de mate en de wijze van inspanning variëren door de hellingshoek van de lootrainer te wijzigen. Wandeltraining kan ook worden gevarieerd door tegelijkertijd de armspieren te trainen door kleine gewichten in de hand te nemen. Let dan wel op uw evenwicht en andere veiligheidsaspecten.

Information betreffende het gebruik van uw trainingsapparatuur en een efficiënte training hiermede kunt u in deze gids en op Tunturi's website www.tunturi.nl vinden.

OVER DE RUIMTE WAAR U TRAJNT

- Zorg ervoor dat de ruimte waar u traint goed geventileerd wordt, maar dat het er niet tocht. Dit voorkomt kouvatten.
- Gebruik de looptrainer alleen binnenshuis.
- Plaats de trainer op een zo vlak mogelijke ondergrond, met aan de voorkant en aan de zijkanten minstens 100 cm vrije ruimte en aan de achterkant minstens 100x200 cm. Zorg er ook voor dat er tijdens het gebruik van de lootrainer geen kinderen of huisdieren in dit gebied kunnen komen.
- Het is beter om de apparatuur op een extra stuk vloerbedekking of rubberen mat te plaatsen. Bij zware transpiratie is de vloer dan ook makkelijker schoon te maken.

OVER HET GEBRUIK VAN DE APPARATUUR

- Ouders of volwassenen die verantwoordelijk zijn voor kinderen moeten zich altijd realiseren dat de speelsheid en nieuwsgierigheid van kinderen, kan leiden tot situaties waarvoor de apparatuur niet is ontworpen. Gebruik van de apparatuur door kinderen mag daarom alleen plaatsvinden onder supervisie van een volwassene.
- De T90 mag door slechts één persoon tegelijk gebruikt worden.
- Blijf altijd met uw handen uit de buurt van de band wanneer deze in beweging is. Zorg ervoor dat er zich geen obstakels onder het onderstel van de trainer bevinden en steek geen handen, voeten of voorwerpen tussen bewegende delen.
- Draag tijdens de training de juiste kleding en schoenen. Zorg ervoor dat uw schoenveters goed gestrikt zijn. Gebruik schoenen die alleen binnen worden gedragen. Steentjes, zand en ander vuil afkomstig van buitenschoenen, kunnen extra slijtage en/of storingen veroorzaken.
- Controleer voordat u met de training begint of de looptrainer in orde is. Gebruik de looptrainer nooit indien deze defect is.
- Gebruik de trainer alleen indien de behuizing en de beschermkappen correct zijn aangebracht.
- Laat de mat nooit zonder toezicht lopen.

BEGINNEN MET DE TRAINING

- Om spierpijn te voorkomen, begin en eindig uw training met enkele rek en strek oefeningen. Rek- en strekoefeningen.
- Ga voordat u de looptrainer start wijdbeens staan op de grijze treeplanken, die zich aan weerszijden van de band bevinden en start dan pas de looptrainer. Start de looptrainer nooit terwijl u er op staat.
- Begin de training met lage snelheid en vergroot de snelheid en / of de hoek geleidelijk aan. Dat kunt u doen op gevoel; houd rekening met uw conditie.
- Houdt u altijd, bij het op- en afstappen van

de band, of wanneer u tijdens het lopen de bandsnelheid wijzigt, vast aan de handgrepen.

Spring nooit van een draaiende lootrainer af!

- Houd uw rug en nek recht. Zo voorkomt dat uw nek, schouders en rug vast gaan zitten en pijn gaan doen. Loop altijd zoveel mogelijk in het midden van de mat en blijf zo ver van de monitor af dat deze u niet hindert, maar dat u er wel goed bij kunt.
- Als er tijdens de training storingen aan het apparaat optreden, pak dan de handsteun vast en ga direct wijdbeens staan, met de voeten op de randplaten van de mat. Schakel de lootrainer uit en kijk in de gebruiksaanwijzing bij Storingen.
- Mocht u tijdens het trainen last krijgen van misselijkheid, duizeligheid of ander abnormale verschijnselen, stop dan direct uw training en raadpleeg een arts.

NA IEDERE TRAINING

- Houd niet plotseling op met de training, maar verminder de snelheid geleidelijk aan. Vergeet na de training de cooling down rekoefeningen niet.
- Neem de veiligheidssleutel uit het bedieningspaneel.
- Schakel de stroom uit via de hoofdschakelaar.
- Neem de stekker uit het stopcontact en neem het snoer uit de trainer.
- Met een vochtige doek de looptrainer schoonmaken. Gebruik geen oplosmiddelen.
- Berg het snoer op een veilige plaats op, buiten het bereik van kinderen.

HARTSLAG

Wat uw doel, uw streven ook met het trainen is, u bereikt het beste resultaat door te trainen op een niveau dat u aankunt. Daarvoor is, zoals gezegd, uw hartslag de beste graadmonitor.

POLSMETING MET HANDSENSOREN

De polsmeting van de T90 gebeurt met sensoren die in de handsteunen zijn verwerkt en die de pols altijd meten wanneer de gebruiker beide sensoren tegelijkertijd aanraakt. Voor een betrouwbare polsmeting is het nodig dat de huid voortdurend in contact met de sensoren is en dat de huid iets vochtig is. Een te droge of te natte huid is nadelig voor de werking van de polsmeting. Let er ook op, dat de hartslagmeting aan de pols soms gestoord kan worden door sterke trillingen en dus minder betrouwbaar is, als uw voeten tijdens de training steeds hard op de lootrainer neerkomen. Vanwege de veiligheid bevelen wij aan om de polsmeting alleen te gebruiken bij wandelsnelheden of wanneer u op de randplaten van de mat staat. **BELANGRIJK!** De bekrachtiging van de polsmeting aan het begin van de meting duurt 8 seconden.

TELEMETRISCHE HARTSLAGMETING

De telemetrische borstbandsensor is het meest betrouwbare systeem, dat werkt met een borstband met meerdere elektrodes waarvan de gemeten waarden draadloos doorgeseind worden naar de

monitor. Als u een pacemaker heeft, moet u eerst uw arts raadplegen over het gebruik van draadloze hartslagmeting.

BELANGRIJK! Als u een pacemaker gebruikt, mag u de borstband alleen met toestemming van een arts gebruiken.

Wanneer u uw hartslag tijdens de training op deze manier wilt controleren, moeten de geribbelde elektroden aan de binnenzijde van de borstband vochtig gemaakt worden (water). Plaats de zender juist onder de borst met de elastische band strak genoeg om tijdens het lopen de elektroden contact te laten houden met de huid, maar niet zo strak dat normaal ademen wordt belemmerd.

De zender geeft de hartslag automatisch door aan de monitor die zich niet verder dan één monitor van de borstband mag bevinden. Wanneer de zender verder van de monitor verwijderd is, wordt het signaal te zwak om te ontvangen. Let er ook op dat niet meerdere personen met een borstband om, binnen een straal van één monitor rond de monitor staan, want de monitor ontvangt dan van elke elektrode een signaal en telt deze dan bij elkaar op. Door vocht en transpiratie op de elektrodes kan de zender aan blijven staan. Om lege batterijen te voorkomen maakt u de elektrodes na gebruik goed schoon en droog.

Denkt u eraan wat de trainingskleding betreft, dat bepaalde in de kleding gebruikte vezels (zoals polyester of polyamide) statische electriciteit veroorzaken, wat bij de hartslagmeting problemen veroorzaken kan. Denkt u eraan dat mobiele telefoons, een televisie of andere elektronische apparaten een electromagnetisch veld om zich heen vormen, wat bij de hartslagmeting problemen veroorzaken kan.

MAXIMALE HARTSLAG

Om te beginnen dient u te weten wat uw maximale hartslag is: dit is de hartslag die bij meer inspanning niet meer hoger wordt. Als u niet weet wat uw maximale hartslag is, kunt u de volgende formule als leidraad nemen:

220 - DE LEEFTIJD

Het maximum varieert van persoon tot persoon. De maximale hartslag daalt per jaar met gemiddeld één punt. Als u tot de risicogroepen behoort, vraag dan een arts uw maximale hartslag te bepalen. Om u te helpen met uw training, hebben wij drie verschillende hartslag niveaus geselecteerd.

BEGINNER: 50 tot 60 % van de maximale hartslag

Dit niveau is ook geschikt voor mensen die lijnen, mensen die herstellende zijn van een ziekte en mensen die lang niet getraind hebben. Drie trainingen van tenminste een halfuur per week zijn aan te bevelen. Regelmatig trainen stimuleert bij een beginner de ademhaling en bloedsomloop

in sterke mate en zorgt al snel voor een merkbaar resultaat.

GEMIDDELDE SPORTER: 60 tot 70 % van de maximale hartslag

Een perfect niveau om de conditie te verbeteren en op peil te houden. Zelfs een redelijk normale inspanning - minimaal 3 trainingen van 30 minuten per week - heeft een positief effect op hart en longen. Om uw conditie verder te verbeteren kunt u het aantal keren trainen per week verhogen of de duur van uw training verlengen. Verhoog echter nooit beide tegelijkertijd!

GETRAINDE SPORTER: 70 tot 80 % van de maximale hartslag

Trainen op dit niveau is alleen weggelegd voor wie écht fit is en wie gewend is aan langdurige conditie trainingen.

MONITOR

TOETSEN

START

Begin met de door u gekozen training.

SNELHEID (HAAS / SCHILDPAD)

Door op de toets HAAS te drukken kunt u de snelheid van de band te doen toenemen in stappen van 0,1 km/h. De SCHILDPAD - toets dient om de snelheid van de band laten afnemen in stappen van 0,1 km/h. Langer op deze toetsen drukken maakt dat de snelheid sneller verandert. De loopbandsnelheid is van 0,3 tot 18,0 km/h.

LOOPHOEK

Door op de loophoek omhoog -toets te drukken, verhoogt u de hellinghoek telkens met 0,5 %; door op de loophoek omlaag -toets te drukken, verlaagt u de hellinghoek met telkens 0,5 %. Als u een toets ingedrukt houdt, versnelt u de verandering. De hellinghoek kunt u van 0 tot 12 % veranderen.

PIJLTOETSEN

Op de gebruikerinstelling kunt u de instellingswaarden veranderen met behulp van de toetsen van de snelheidsregeling. Op de hartslagaangepaste training kunt u het hartslagniveau veranderen met behulp van de toetsen van de snelheidsregeling. Pijl omhoog-toets te drukken, verhoogt u de moeilijkheidsgraad; door op de pijl omlaag-toets te drukken, verlaagt u de moeilijkheidsgraad.

STOP / PAUSE / RESET

U beëindigt de training door op de STOP-toets te drukken. Als U éénmaal op de STOP-toets drukt, gaat de lootrainer over op een 5 minuten durende pauze, en tegelijk begint de meting van de herstel hartslag automatisch. Tijdens deze 5 minuten kunt u de afgebroken training herstarten door het drukken op de START-toets. U beëindigt de training door nog eens op de STOP-toets te drukken.

SELECT

Voordat u de START-toets indrukt, kunt u via de SELECT-toets de trainingmethode kiezen. Wanneer u de training heeft gestart, kunt u via de SELECT-toets de profieldisplay kiezen.

ENTER

Bevestig hiermee uw keuze (trainingmethode of -programma, gebruikerinstelling).

SET

Door op de SET-knop te drukken, kunt u de instellingen van de lootrainer bekijken en veranderen.

SPEED

Wanneer u de manuele training heeft gestart, kunt u de snelheid eenvoudig bijregelen met de SPEED-knop. Bij een keer drukken wordt de snelheid 5.4 km/h, bij twee keer 7.2 km/h en bij drie keer 9.6 km/h. Daarna dient deze knop voor het verlagen van de snelheid in dezelfde stappen.

COOL DOWN

Door op de COOL DOWN-knop te drukken, start u de automatische afkoelfase van 5 minuten, waarna de lootrainer stopt. In voorgeprogrammeerde trainingsprogramma's begint de afkoelfase automatisch aan het eind van het profiel.

T-WARE PROGRAMMA

Deze trainer is geschikt voor het gebruik van de T-Ware fitness test- en conditieprogramma. Informatie betreffende het gebruik van T-Ware kunt u in Tunturi's website www.tunturi.nl vinden.

FUNCTIES

HEART RATE (HARTSLAGMETING)

45-220 bpm. Het hartslaglampje licht altijd op, als de monitor het hartsignaal registreert.

KCAL (CALORIEËN)

Calorieverbruik 0-9999 kcal met 1 kcal nauwkeurigheid

ELEVATION (LOOPHOEK)

0-12 %, met 0,5 % nauwkeurigheid

TIME (TIJD)

Trainingstijd 0:00 - 99:59 met 1 s nauwkeurigheid, h1:40-h9:59 met 1 min nauwkeurigheid

DISTANCE (AFSTAND)

Trainingsafstand 0,00-99,99 km met 0,01 km nauwkeurigheid

SPEED (SNELHEID)

Snelheid van de mat 0,3-18,0 km/h / 0,2-11 mph, met 0,1 km/h nauwkeurigheid. De controlelamp geeft de geselecteerde eenheid aan (km/h, mph, pace = minuut / kilomonitor).

GRAFIEK//TEKSTDISPLAY

Het model T90 heeft een apart grafisch display voor gedetailleerde informatie over het trainingsprofiel. Het tekstveld begeleidt de gebruiker aan het begin van en tijdens de training.

INSTELLINGEN

1. Druk de SET-toets.
2. Stel de meeteenheden in (Metric = gegevens volgens het metrische systeem / Imperial = gegevens in Engelse eenheden): verander de instelling met de pijltoetsen en bevestig de ingestelde waarde met de ENTER-toets; u gaat dan verder naar de volgende instelling.
3. Geef uw gewicht op. Verander de instelling met de pijltoetsen en bevestig de ingestelde waarde met de ENTER-toets; u gaat dan verder naar de volgende instelling. Deze gegevens zijn nodig voor de inschatting van het energieverbruik.
4. Stel het geslacht in (Male = man / Female = vrouw): verander de instelling met de pijltoetsen en bevestig de ingestelde waarde met de ENTER-toets; u gaat dan verder naar de volgende instelling. Deze gegevens zijn nodig voor de inschatting van het energieverbruik.
5. Stel de leeftijd van de gebruiker in: verander de instelling met de pijltoetsen en bevestig de waarde van de instelling met de ENTER-toets; u gaat dan verder naar de volgende instelling. Deze gegevens zijn nodig voor de inschatting van het energieverbruik.
6. Stel het gebruik van het signaalteken in (ON = signaalteken klinkt / OFF = signaalteken klinkt niet): Bij profieltraining meldt de monitor profielwijzigingen van tevoren d.m.v. een geluidssignaal. Verander de instelling met de pijltoetsen en bevestig de ingestelde waarde met de ENTER-toets; u gaat dan verder naar de volgende instelling.
7. Stel de eenheden van het display in (km/h, min/km (PACE), mph, min/mijl (PACE)). Verander de instelling met de pijltoetsen en bevestig de ingestelde waarde met de ENTER-toets; u gaat dan verder naar de volgende instelling. **BELANGRIJK!** U kunt de eenheden tijdens het trainen instellen: druk de SET-toets, verander de instelling met de pijltoetsen en bevestig met de ENTER-toets.
8. Stel voor training met hartslagbesturing de topsnelheid van de lootrainer in met de pijltoetsen: bij deze trainingsvormen wordt de snelheid gekozen op basis van de hartslag. Als er geen topsnelheid is opgegeven, kan deze tijdens de training te hoog worden. De standaardwaarde voor de topsnelheid is 12 km/h. Verander de instelling met de pijltoetsen en bevestig de ingestelde waarde met de ENTER-toets; u gaat dan verder naar de volgende instelling.
9. Op het display TOTAL TIME -ziet u de totale gebruiksduur van de lootrainer. Door de ENTER-toets in te drukken, gaat u verder naar het volgende display.
10. Op het display TOTAL DISTANCE -ziet u de totale loopafstand van de lootrainer. Met de ENTER-toets laat u de getoonde gebruikerinstelling verdwijnen.

TRAININGSKEUZE

Druk de SELECT-toets zo lang in, totdat het signaallampje brandt naast de door u gewenste training. U kunt dus kiezen:

1. een manueel doorgevoerde oefening, waarbij u zelf tijdens de training zowel de snelheid als de hoek kunt regelen;
2. een hartslagaangepaste HRC-training, waarbij de lootrainer automatisch wordt geregeld zodat u permanent bij de door u ingestelde hartslag traint. Zulke hartslagaangepaste profielen vereisen altijd het gebruik van de hartslaggordel;
3. conditietest: de mat biedt twee testmogelijkheden, een wandeltest van 2 km of een Coopertest van 12 minuten.
4. een voorgegeven trainingsprofiel, waarbij de snelheid/hellingshoek of het hartslagniveau op een vooraf ingestelde manier afwisselen.

P1: MANUELE TRAINING

Direct beginnen:

1. Manuele training is de uitganginstelling van de lootrainer. U kunt de training direct beginnen door op de START-toets te drukken. De mat beweegt nu met een snelheid van 1,5 km/h.

Begin via programmakeuze:

2. Druk de SELECT-toets in, totdat het signaallampje naast de MANUAL-tekst brandt. Met de ENTER-toets bevestigt u de instelling.
3. Druk de START-toets in. De mat beweegt nu met een snelheid van 1,5 km/h. U kunt deze snelheid verder regelen met de Haas/Schildpad-toetsen en met SPEED toets. Om de minuut verschijnen op het profieldisplay de snelheidsgegevens van de training. Na verloop van 20 minuten verdwijnt het displaybeeld van de monitor naar links en kunt u de snelheidsgegevens van de afgelopen 20 minuten aflezen. Als u tijdens de training op SELECT drukt, komen op de monitor de cumulatieve snelheids-, hellings-, hartslag- en atletiekprofiel te staan.
4. Door tijdens de training de STOP-toets 1 x in te drukken, staat de mat stil en gaat in een vijf minuten durende pauzetijd over. Gedurende deze tijd kunt u de onderbroken training voortzetten door de START-toets te drukken. Door twee keer op de STOP-knop te drukken, beëindigt u het trainingsprogramma; het display toont de gegevens over de geleverde prestatie en gaat terug in de startmodus.

P2: HARTSLAGGESTUURDE TRAINING

Gecontroleerde hartslagtrainingen geven de mogelijkheid tot training op een gewenst hartslagniveau. Hartslagaangepaste profielen veronderstellen altijd het gebruik van de borstband. Als de hartslagmeting niet functioneert, verschijnt er in het tekstveld het foutteken CHECK TRANSMITTER. Dan moet u controleren of u de gegeven aanwijzingen voor het gebruik van de borstband hebt opgevolgd.

1. Druk de SELECT-toets in, totdat het signaallampje naast de HRC-tekst brandt. Met de ENTER-toets bevestigt u de instelling.

2. Selecteer met de pijltoetsen een van de volgende hartslagmodellen:

A) Snelheid besturing = De looptrainer houdt uw hartslag door middel van de snelheidsbesturing constant. Indien gewenst is de loophoek ook tijdens de training te veranderen.

B) Loophoek besturing = De besturing van de hartslag is door de hellinghoek van de band aan te passen. In deze mode, wordt de snelheid aangepast door op het Haas of op de Schildpad-toets te drukken. Bij deze trainingsvorm regelt u zelf de snelheid van de lootrainer met de SPEED toets of met behulp van de haas/schildpad-toetsen.

C) Combinatie = De looptrainer houdt uw hartslag ook constant door de hellinghoek en de snelheid evenredig aan te passen.

3. Druk ENTER voor bevestiging van uw keuze.

4. Kies het gewenste hartslagniveau (80-180) met de pijltoetsen.

5. Druk op de START-toets om training met een constant hartslagniveau te beginnen. Tijdens de training kunt u het hartslagniveau met de pijltoetsen veranderen.

6. Om de minuut verschijnen op het profieldisplay de snelheidsgegevens van de training. Na verloop van 20 minuten verdwijnt het displaybeeld van de monitor naar links en kunt u de snelheidsgegevens van de afgelopen 20 minuten aflezen. Als u tijdens de training op SELECT drukt, komen op het monitor de cumulatieve snelheids-, hellings-, hartslag- atletiekbaan-profiel te staan.

7. Door tijdens de training de STOP-toets 1 x in te drukken, staat de mat stil en gaat in een vijf minuten durende pauzetijd over. Gedurende deze tijd kunt u de onderbroken training voortzetten door de START-toets te drukken. Door twee keer op de STOP-knop te drukken, beëindigt u het trainingsprogramma; het display toont de gegevens over de geleverde prestatie en gaat terug in de startmodus.

P3: CONDITIETEST

Met de lootrainer zijn twee verschillende conditietests mogelijk. De lichte conditietest is een wandeltest van 2 km, die u snel wandelend moet afleggen. Voor personen met een goede conditie is de Cooper-hardlooptest geschikter, deze duurt 12 minuten.

1. Druk de SELECT-toets in, totdat het signaallampje naast de TEST-tekst brandt. Met de ENTER-toets bevestigt u de instelling.

2. Druk op de SELECT-knop, hiermee kunt u kiezen voor de wandeltest van 2 km of de Coopertest. Met de ENTER-toets bevestigt u de instelling.

2 KM LOOPTEST

Bij de wandeltest moet de hartslagmonitor worden gebruikt: de conditie wordt beoordeeld aan de hand van de hartslag tijdens het lopen en de tijd die u voor het wandelen van 2 km nodig had. Aan

de test gaat een opwarmfase van 3 min vooraf. Wij adviseren dan ook aan, om na de test rustig te blijven door lopen totdat uw hartslagniveau weer de normale waarde bereikt heeft. Op basis van de resultaten geeft de monitor een schatting van uw maximale zuurstofopnamecapaciteit de VO2Max.

BEGIN VAN DE WANDELTEST:

1. In het tekstveld van de monitor wordt de lengte van de deelnemer aan de test gevraagd (HEIGHT): stel deze in met de pijltoetsen. Bevestig met ENTER.
2. In het tekstveld van de monitor wordt het geslacht van de deelnemer gevraagd (SEX): stel dit in met de pijltoetsen. Bevestig met ENTER.
3. In het tekstveld van de monitor wordt het gewicht van de deelnemer gevraagd (WEIGHT): stel uw gewicht in met de pijltoetsen. Bevestig met ENTER.
4. In het tekstveld van de monitor wordt de leeftijd van de deelnemer gevraagd (AGE): stel deze in met de pijltoetsen. Bevestig met ENTER.
5. In het tekstveld van de monitor wordt gemeld, dat de opwarmfase van 3 min (WARM UP) kan beginnen. Druk op START om te beginnen.
6. De helling van de mat wordt automatisch op 1 % gezet; dit simuleert de luchtweerstand. U kunt de snelheid regelen met de snelheidsknoppen. Wij adviseren voor de opwarmfase een iets hoger wandeltempo dan gemiddeld.
7. Tijdens het opwarmen telt de klok drie minuten terug. Wanneer de klok op 0:00 komt, klinkt een geluidssignaal en begint de eigenlijke test (TEST STARTED!).

UITVOERING VAN DE WANDELTEST:

1. Het is de bedoeling de afstand van 2 km zo snel mogelijk wandelend af te leggen. U kunt uw loopsnelheid zelf regelen met de snelheidsknoppen. Let op: u mag niet hardlopen!
2. Als de hartslagmeting niet werkt, wordt dat in het tekstveld van de monitor aangegeven met de mededeling CHECK TRANSMITTER. Controleert u in dat geval of u de gegevens aanwijzingen over het gebruik van de hartslagbordel op de juiste manier hebt opgevolgd.
3. Na 2 km geeft de monitor een geluidssignaal. Dan begint de automatische afkoelfase van 5 minuten, waarna de lootrainer stopt. In het tekstveld van de monitor wordt het testresultaat gegeven in de vorm van uw maximale zuurstofopnamecapaciteit (de VO2Max) en een schatting van de conditie.

COOPERTEST

Bij de Coopertest wordt uw conditie berekend op basis van de afstand die u in 12 minuten heeft gerend. Hoe verder u bent gekomen, hoe beter uw conditie is. Aan de test gaat een opwarmfase van 3 min vooraf. Wij adviseren dan ook aan, om na de test rustig te blijven doorlopen, totdat uw hartslagniveau weer de normale waarde bereikt heeft. Op basis van de resultaten geeft de monitor een schatting van uw maximale zuurstofopnamecapaciteit.

BEGIN VAN DE COOPERTEST:

1. In het tekstveld van de monitor wordt gemeld COOPER SELECTED. Met de START-toets bevestigt u de instelling.
2. In het tekstveld van de monitor wordt het geslacht van de deelnemer gevraagd (SEX): stel dit in met de pijltoetsen. Bevestig met ENTER.
3. In het tekstveld van de monitor wordt de leeftijd van de deelnemer gevraagd (AGE): stel deze in met de pijltoetsen. Bevestig met ENTER.
4. In het tekstveld van de monitor wordt gemeld, dat de opwarmfase van 3 min (WARM UP) kan beginnen. Druk op START om te beginnen.
5. De helling van de mat wordt automatisch op 1 % gezet; dit simuleert de luchtweerstand. U kunt de snelheid regelen met de snelheidsknoppen. Wij adviseren voor de opwarmfase een iets hoger wandeltempo dan gemiddeld.
6. Tijdens het opwarmen telt de klok drie minuten terug. Wanneer de klok op 0:00 komt, klinkt een geluidssignaal en begint de eigenlijke test (TEST STARTED!).

UITVOERING VAN DE COOPERTEST:

1. Het is de bedoeling dat u in 12 minuten een zo groot mogelijke afstand rennend aflegt. U kunt de snelheid regelen met de snelheidstoetsen of de SPEED-toets.
2. In het tekstveld van het display staat een schatting van het testresultaat bij de gebruikte snelheid.
3. Na 12 minuten geeft de monitor een geluidssignaal. Dan begint de automatische afkoelfase van 5 minuten, waarna de lootrainer stopt. In het tekstveld van de monitor wordt het testresultaat gegeven in de vorm van uw maximale zuurstofopnamecapaciteit en een schatting van de conditie.

P4-P16: VOORGEPROGRAMMEERDE

TRAININGSPROGRAMMA'S

Om u van een veelzijdige, aangename en doelbewuste training te verzekeren, heeft Tunturi een paar duidelijke, op verschillende manieren functionerende trainingsprogramma's ontwikkeld. Tijdens de training biedt de monitor u bovendien belangrijke informatie aan over het door u gekozen programma. De monitor geeft op tijd door een geluidssignaal aan, als er veranderingen in het programma optreden. Het profieldisplay geeft zowel het soort profiel als de gegevens van de volgende profielbalk aan.

Programma P4 is manueel, op het display staat een atletiekbaan van 400 m en uw rondetijd wordt telkens gemeten.

1. Druk de SELECT-toets in, totdat het signaallampje bij het door u gewenste profiel (P4) brandt.
2. Druk de START-toets in. De mat beweegt nu met een snelheid van 1,5 km/h. U kunt deze snelheid verder regelen met de Haas/Schildpad-toetsen en met SPEED toets. Om de minuut verschijnen op het profieldisplay de snelheidsgegevens van de training.

3. Als u tijdens de training op SELECT drukt, komen op het monitor de snelheids-, helling- en hartslagprofiel te staan.
4. Door tijdens de training de STOP-toets 1 x in te drukken, staat de mat stil en gaat in een vijf minuten durende pauzetijd over. Gedurende deze tijd kunt u de onderbroken training voortzetten door de START-toets te drukken. Door twee keer op de STOP-knop te drukken, beëindigt u het trainingsprogramma; het display toont de gegevens over de geleverde prestatie en gaat terug in de startmodus.

Programma **P5** is 5 km lang, **P6** is 10 km lang. Het hellingprofiel van het programma is voorgeprogrammeerd, de snelheidsregeling gebeurt manueel. U kunt een hellingprofiel kiezen.

1. Druk de SELECT-toets in, totdat het signaallampje bij het door u gewenste profiel (P5-P6) brandt.
2. Druk de START-toets in. De mat beweegt nu. U kunt deze snelheid verder regelen met de Haas/Schildpad-toetsen en met SPEED toets.
3. U kunt een hellingprofiel kiezen met de pijltoetsen.
4. Door tijdens de training de STOP-toets 1 x in te drukken, staat de mat stil en gaat in een vijf minuten durende pauzetijd over. Gedurende deze tijd kunt u de onderbroken training voortzetten door de START-toets te drukken. Door twee keer op de STOP-knop te drukken, beëindigt u het trainingsprogramma; het display toont de gegevens over de geleverde prestatie en gaat terug in de startmodus.
5. Aan het eind van het programma begint de automatische afkoelfase, waarna de lootrainer stopt.

De programma's **P7** en **P8** zijn gebaseerd op de hartslagfunctie. Programma P7 duurt 15 minuten en is vooral bedoeld als opwarmprogramma voor het begin van een andere training. Programma P8 duurt 30 minuten en is bedoeld als aerobische basistraining.

1. Druk de SELECT-toets in, totdat het signaallampje bij het door u gewenste programma (P7-P8) brandt. Met de ENTER-toets bevestigt u de instelling.
2. Selecteer met de pijltoetsen de hartslagmodel.
3. Druk op de START-toets om de training te beginnen. Tijdens de training kunt u het hartslagniveau met de pijltoetsen veranderen.
4. Door tijdens de training de STOP-toets 1 x in te drukken, staat de mat stil en gaat in een vijf minuten durende pauzetijd over. Gedurende deze tijd kunt u de onderbroken training voortzetten door de START-toets te drukken. Door twee keer op de STOP-knop te drukken, beëindigt u het trainingsprogramma; het display toont de gegevens over de geleverde prestatie en gaat terug in de startmodus.
5. Aan het eind van het programma begint de automatische afkoelfase, waarna de lootrainer stopt.

De programma's **P9-P11** hebben een verschillende moeilijkheidsgraad. De snelheid en de helling zijn voorgeprogrammeerd. U kunt de snelheid naar believen instellen. Voor de trainingslengte kunt u kiezen uit trainingstijd of trainingsafstand.

1. Druk de SELECT-toets in, totdat het signaallampje bij het door u gewenste programma (P9-P11) brandt. Met de ENTER-toets bevestigt u de instelling.
2. Stel de afstand / tijd van het profiel in. Met de SELECT-knop kunt u naar de volgende instelwaarde. U kunt de duur met de pijltoetsen veranderen (grenswaarden tussen 10 minuten - 0:10 - en 3 uur - 3:00 -, de schaaleenheid bedraagt 5 minuten / 3 km - 42 km, de schaaleenheid bedraagt 1 km).
3. Druk de START-toets in: de training begint en de lootrainer zet zich in beweging. U kunt het snelheidsniveau van het profiel telkens met 1 % naar boven of naar beneden op schaal aanpassen. Als u tijdens de training op SELECT drukt, komen op het monitor de snelheids- en hellingprofielen te staan.
4. Door tijdens de training de STOP-toets 1 x in te drukken, staat de mat stil en gaat in een vijf minuten durende pauzetijd over. Gedurende deze tijd kunt u de onderbroken training voortzetten door de START-toets te drukken. Door twee keer op de STOP-knop te drukken, beëindigt u het trainingsprogramma; het display toont de gegevens over de geleverde prestatie en gaat terug in de startmodus.
5. Aan het eind van het programma begint de automatische afkoelfase, waarna de lootrainer stopt.

Programma **P12** is een soort intervaltraining, waarbij u tijdens de training de afstand en de duur van de training kunt instellen en de snelheid van de lootrainer zelf kunt regelen.

1. Druk de SELECT-toets in, totdat het signaallampje bij het door u gewenste programma (P12) brandt. Met de ENTER-toets bevestigt u de instelling.
2. Stel de afstand / tijd van het profiel in. Met de SELECT-knop kunt u naar de volgende instelwaarde. U kunt de duur met de pijltoetsen veranderen (grenswaarden tussen 10 minuten - 0:10 - en 3 uur - 3:00 -, de schaaleenheid bedraagt 5 minuten / 3 km - 42 km, de schaaleenheid bedraagt 1 km).
3. Druk de START-toets in: de training begint en de lootrainer zet zich in beweging. U kunt uw snelheid regelen met behulp van de snelheidsregeltoetsen.
4. U kunt een hellingprofiel kiezen met de pijltoetsen.
5. Door tijdens de training de STOP-toets 1 x in te drukken, staat de mat stil en gaat in een vijf minuten durende pauzetijd over. Gedurende deze tijd kunt u de onderbroken training voortzetten door de START-toets te drukken. Door twee keer op de STOP-knop te drukken, beëindigt u het trainingsprogramma; het display toont de gegevens over de geleverde prestatie en gaat terug in de startmodus.
6. Aan het eind van het programma begint de automatische afkoelfase, waarna de lootrainer stopt.

De HRC-programma's **P13-P16** zijn wat het eiseniveau betreft getrapte hartslaggestuurde trainingsprofielen, waarbij u de duur van de training zelf kunt instellen. De hartslaggestuurde programma's veronderstellen altijd het gebruik van de borstband. Als de hartslagmonitor niet functioneert, verschijnt er in het tekstveld van de display de foutmelding CHECK TRANSMITTER. Controleert u in dat geval of u de

gegeven aanwijzingen over het gebruik van de hartslagbord op de juiste manier hebt opgevolgd.

1. Druk de SELECT-toets in, totdat het signaallampje naast het door u gewenste programma (P13-P16) brandt. Met de ENTER-toets bevestigt u de instelling.
2. Selecteer met de pijltoetsen een van de hartslagmodellen. Druk de ENTER-toets weer in om de instelling te bevestigen.
3. Stel de afstand / tijd van het profiel in. De laatst ingestelde duur ziet u op het cijferdisplay op de monitor. U kunt de duur met de pijltoetsen veranderen (grenswaarden tussen 10 minuten - 0:10 - en 3 uur - 3:00 -, de schaaleenheid bedraagt 5 minuten / 3 km - 42 km, de schaaleenheid bedraagt 1 km). Met de SELECT-knop kunt u naar de volgende instelwaarde. Druk de ENTER-toets weer in om de instelling te bevestigen.
4. Druk de START-toets in: de training begint en de lootrainer zet zich in beweging. U kunt het hartslagniveau van het profiel telkens met 1 % naar boven of naar beneden op schaal aanpassen.
5. U kunt tijdens de training de topsnelheid van de lootrainer instellen met de snelheidtoetsen.
6. Door tijdens de training de STOP-toets 1 x in te drukken, staat de mat stil en gaat in een vijf minuten durende pauzetime over. Gedurende deze tijd kunt u de onderbroken training voortzetten door de START-toets te drukken. Door twee keer op de STOP-knop te drukken, beëindigt u het trainingsprogramma; het display toont de gegevens over de geleverde prestatie en gaat terug in de startmodus.
7. Aan het eind van het programma begint de automatische afkoelfase, waarna de lootrainer stopt.

PROFIELEN VAN DE PROGRAMMA'S (aan het eind van de gebruiksaanwijzing vindt u gedetailleerde uitleg over de programma's)

P4 (Track) is manueel, op het display staat een baan van 400 m en uw rondetijd wordt steeds gemeten. Dit profiel is speciaal geschikt voor atletiektraining en voor wedstrijden met uzelf. Door de helling van de lootrainer te wijzigen kunt u de luchtweerstand nabootsen.

P5 (5K Course). De vaste lengte van het programma is 5 km. Het hellingsprofiel van het programma is voorgeprogrammeerd, de snelheidsregeling gebeurt met de hand. U kunt een hellingsprofiel kiezen. Het programma is voor hardlopers en voor atletiektraining: 5 km is een populaire wedstrijdafstand, zodat u hiermee uw eigen prestatie goed kunt inschatten en volgen. Met de standaardinstellingen is de gemiddelde helling 1,1 % en de grootste helling 3 %.

P6 (10K Course). De vaste lengte van het programma is 10 km. Het hellingsprofiel van het programma is voorgeprogrammeerd, de snelheidsregeling gebeurt met de hand. U kunt een hellingsprofiel kiezen. Het programma is voor hardlopers en voor atletiektraining: 10 km is een populaire wedstrijdafstand, zodat u hiermee uw eigen prestatie goed kunt inschatten en volgen. Met de

standaardinstellingen is de gemiddelde helling 0,875 % en de grootste helling 3 %.

P7 (15 Min Warm Up). Het programma is gebaseerd op de hartslagfunctie. De vaste programmalengte is 15 minuten en het is vooral bedoeld als opwarmprogramma voor een andere training. Met standaardinstellingen is de gemiddelde hartslag 113, de maximale hartslag 122.

P8 (30 Min Health). Het programma is gebaseerd op de hartslagfunctie. De vaste programmalengte is 30 minuten en het is vooral bedoeld als aerobische basistraining. Met standaardinstellingen is de gemiddelde hartslag 117, de maximale hartslag 126.

P9 (Hill Walk). Profiel met regelmatige wijzigingen van de helling en een gelijkmatig, flink wandeltempo. Het profiel is geschikt voor beginners en actieve wandelaars. Met standaardinstellingen is de gemiddelde snelheid 5,2 km/h en de topsnelheid 5,8 km/h, de gemiddelde helling is 2,7 %.

P10 (Hill Jog). Profiel met afwisselende helling en tamelijk gelijkmatig, licht jogtempo. Het profiel is geschikt voor beginners en om de conditie op peil te houden. Met standaardinstellingen is de gemiddelde snelheid 6,9 km/h en de topsnelheid 7,2 km/h, de gemiddelde helling is 1,9 %.

P11 (Hill Run). Profiel met gelijkmatige en lichte helling en een gelijkmatig afwisselend flink hardlooptempo. Het profiel is geschikt voor hardlopers. Met standaardinstellingen is de gemiddelde snelheid 11,6 km/h en de topsnelheid 12,5 km/h, de gemiddelde helling is 1,8 %.

P12 (Rolling Hills). Afstandsprofiel: u kunt de lengte van het profiel in kilometers instellen. Het profiel is vooral bedoeld voor training in deze tak van sport, maar zorgt ook voor afwisseling bij de conditietraining. De maximale afstand is 42 km. Met standaardinstellingen is de afstand 3 km, instelbaar in stappen van 1 km. De hellingsinstellingen zijn van het intervaltype, de gemiddelde helling is 2,4 %.

P13 (Fatburner 1). Hartslagprofiel met lage intensiteit, gebaseerd op gelijkmatig toe- en afnemen van de hartslag. Het profiel is geschikt voor gewichtsbeheersing. Met standaardinstellingen is de gemiddelde hartslag 114, maximaal 125.

P14 (Fatburner 2). Hartslagprofiel met middelzware intensiteit, gebaseerd op toe- en afnemen van de hartslag in intervallen. Het profiel is geschikt voor conditietraining en gewichtsbeheersing. Met standaardinstellingen is de gemiddelde hartslag 122, maximaal 136.

P15 (Cardio). Hartslagprofiel met middelzware intensiteit, gebaseerd op gelijkmatig toe- en afnemen van de hartslag, de hartslag blijft bijna de hele tijd rond de 130-140. Het profiel is uitstekend voor conditietraining. Met standaardinstellingen is de gemiddelde hartslag 129, maximaal 145.

P16 (Fit). Hartslagprofiel met zware intensiteit, gebaseerd op gelijkmatig toe- en afnemen van de hartslag. De hartslag blijft bijna de hele tijd rond de 135-145. Het profiel is geschikt voor conditietraining en -verbetering, voor mensen met een goede conditie. Met standaardinstellingen is de gemiddelde hartslag 133, maximaal 150.

ONDERHOUD

Voor een veilig gebruik van het toestel is het nodig dit regelmatig te onderhouden en te letten op bepaalde zaken die kunnen leiden tot storingen (slijtage van onderdelen enz.). Controleer een keer per jaar of alle bouten en moeren nog goed vast zitten. Draai ze echter niet te strak aan. Het toestel mag alleen worden gebruikt als het geheel in orde is.

REINIGING EN SMERING VAN DE

LOOPTRAINER

ALS U NALAAT UW LOOPTRAINER TE SMEREN, KAN UW RECHT OP GARANTIE VERVALLEN!

Verwijder stof en vuil van het bedieningspaneel en reinig de handgrepen met een licht vochtige doek. Gebruik geen oplosmiddelen. Reinig de zichtbare delen van het frame (o.a. onderstel en zijpanelen) en de band regelmatig met een stofzuiger. Houdt u ook de omgeving van de loopmat schoon. Bij gebruik vergaart de loopmat bijvoorbeeld stof, wat problemen kan veroorzaken bij het functioneren van de apparatuur.

Bij normaal thuisgebruik (maximaal 60 minuten per dag) dient u de smering één keer per maand te controleren. De mat moet echter alleen worden gesmeerd als het nodig is. Bij veeleisender gebruik moet de smering met kortere tussenpozen worden gecontroleerd. Dit kan het best worden gedaan voordat

u met een trainingssessie begint. Controleer de smering als volgt:

1. Schakel de looptrainer uit! Stap op de loopmat en blijf stil staan in plaats van te gaan lopen, zoals u normaal gesproken doet.
2. Pak de horizontale handgreep vast en beweeg de mat met uw voeten achterwaarts en voorwaarts. De mat moet soepel, gelijkmatig en geruisloos bewegen.
3. Als u vaststelt dat de mat schokkerig beweegt of niet soepel loopt, schuift u uw hand onder de mat en controleert u de smering.

Smeer de mat als volgt:

1. Bevestig de spuitmond van het slangetje op de T-Lube S-spuitbus.
2. Stel het loopvlak op de maximale hellingshoek in.
3. Plaats de spuitmond tussen de mat en de plaat. Probeer de spray zo veel mogelijk in het midden van

het loopvlak te krijgen.

4. Spuit gedurende 2-3 seconden.
5. Laat het loopvlak naar zijn normale positie zakken. Begin direct met uw trainingssessie. Of zet de looptrainer aan en wacht vijf minuten voordat u begint.

BELANGRIJK! Smeer uw looptrainer alleen met T-Lube S-siliconensmeermiddel. Neem contact op met uw Tunturi-distributeur voor de aanschaf van extra T-Lube of voor meer informatie over smering en onderhoud.

HET CENTREREN VAN DE LOOTRAINER

Controleer tijdens het gebruik of de lootrainer goed blijft lopen. Indien de band afstelling behoeft, wacht hier dan niet mee tot na de training maar voer dit onmiddellijk uit. De band dient altijd over het midden van de trainer te lopen. Centreren zal over het algemeen niet nodig zijn wanneer:

- de looptrainer op een vlakke ondergrond staat en de lootrainer goed gespannen is;
- de lootrainer correct is gecentreerd.

Het kan echter zijn dat als gevolg van een bijzondere loopstijl de lootrainer enigszins uit het midden raakt. Het centreren van de lootrainer:

1. Controleer eerst of de looptrainer horizontaal / waterpas staat. Laat de lootrainer vrij draaien met een snelheid van 5 km/u.
2. Indien de band naar links trekt, draai dan de linker inbusbout achter op de trainer $\frac{1}{4}$ slag in de richting van de klok mee en de rechter inbusbout $\frac{1}{4}$ slag tegen de klok in. Het afstellen dient met de nodige voorzichtigheid te gebeuren daar een achtste slag al aanzienlijke gevolgen heeft voor de loop van de lootrainer. Draai de inbusbouten dus met maximaal $\frac{1}{4}$ slag in de richting van de klok of tegen de klok in. Controleer elke keer het gevolg hiervan. Laat de mat enkele minuten draaien, voor weer verder te gaan met afstellen. Indien de mat naar rechts trekt, draai dan de rechter inbusbout achter op de trainer $\frac{1}{4}$ slag in de richting van de klok en de linker inbusbout $\frac{1}{4}$ slag tegen de klok in.
3. De lootrainer is correct afgesteld wanneer deze in het midden blijft lopen. Wanneer de mat nog steeds naar links of naar rechts trekt dient u het afstellen te herhalen, stapje voor stapje, totdat de lootrainer recht loopt. Indien de mat gedurende langere tijd aanloopt kan deze ernstig beschadigen. De garantie op de trainer dekt geen storingen of beschadigingen die ontstaan zijn door het niet centreren van de mat.

HET SPANNEN VAN DE LOOTRAINER

Indien de mat gaat slippen dient u deze wat strakker te stellen. Het is niet goed om de lootrainer te strak te zetten; houd de spanning zo laag mogelijk. Het bijstellen van de spanning doet u met dezelfde inbusbouten die ook voor het centreren worden gebruikt.

1. Laat de band vrij lopen met een snelheid van ongeveer 5 km/h.
2. Draai de beide inbusbouten achter op de trainer ¼ slag in de richting van de klok.
3. Controleer of de spanning correct is door op de looptrainer te gaan lopen en deze af te remmen (alsof u bergaf loopt).

Indien de band bij licht afremmen nog steeds slipt, draai dan de inbusbouten nogmaals ¼ slag aan en herhaal de controle. Bij krachtig afremmen mag de lootrainer slippen. Als de mat, ondanks het afstellen, blijft doorslippen, neem dan contact op met uw Tunturi dealer.

GEbruIKSStORINGEN

BELANGRIJK! Ondanks voortdurende kwaliteitscontroles, kunnen er defecten of storingen optreden die het gevolg zijn van het niet goed functioneren van onderdelen die in de looptrainer zijn gebruikt. In de meeste gevallen is het onnodig om het gehele apparaat ter reparatie aan te bieden, aangezien de storing meestal kan worden opgelost door het vervangen van het defecte onderdeel. Mochten er storingen optreden bij het gebruik van de trainer, neem dan onmiddellijk contact op met uw Tunturi dealer. Vermeldt daarbij altijd het model en het serienummer van uw Tunturi trainer, de eventuele storingscode en door wie de trainer is geïnstalleerd.

Indien u merkt dat er iets niet in orde is met de looptrainer, schakelt u direct de looptrainer uit door de aan- en uitknop in te drukken. Wacht vervolgens één minuut en schakel de looptrainer weer aan. Op deze manier moeten incidentele fouten hersteld zijn en kan de looptrainer opnieuw worden gebruikt. Indien de looptrainer na het aan- en uitschakelen door de aan- en uitknop nog steeds niet goed functioneert, neem dan contact op met uw Tunturi dealer voor onderhoud.

Vermeldt bij het bestellen van onderdelen het model, het serienummer van het apparaat en het nummer van het onderdeel. Op de laatste pagina's van deze gids vindt u de onderdelenlijst. Voor het toestel mogen alleen onderdelen worden gebruikt die in de lijst van reserveonderdelen staan.

StORINGEN

De monitor meldt de storingen op het screen aan.

SYSTEM CHECK FAILED - Eventuele storing van de motorbesturing. Schakel de stroom van de lootrainer uit met de hoofdschakelaar, wacht een minuut en zet hem dan opnieuw aan. Als de foutmelding niet terugkomt, kunt u het toestel verder normaal gebruiken. Als de foutmelding niet verdwijnt, neem dan contact op met de verkoper van het toestel.

SPEED SENSOR ERROR - Storing van de snelheidssensor. Neem contact op met de verkoper van het toestel.

MOTOR SPEED ERROR - Storing van de snelheidsregeling van de mat. Controleer of u de mat correct gebruikt: duw de mat niet met uw voeten voort. Schakel de stroom van de lootrainer uit met de hoofdschakelaar, wacht een minuut en zet hem dan opnieuw aan. Als de foutmelding niet terugkomt, kunt u het toestel verder normaal gebruiken. Als de foutmelding niet verdwijnt, neem dan contact op met de verkoper van het toestel.

MOTOR OVERLOAD - Overbelasting van de motor. Controleer of u het toestel correct gebruikt: de mat niet afremmen. Controleer of de mat voldoende gesmeerd is; smeer de mat eventueel (onderhoudsbeurt). Schakel de stroom van de lootrainer uit met de hoofdschakelaar, wacht een minuut en zet hem dan opnieuw aan. Als de foutmelding niet terugkomt, kunt u het toestel verder normaal gebruiken. Als de foutmelding niet verdwijnt, neem dan contact op met de verkoper van het toestel.

LIFT MOTOR ERROR - Storing van de hefmotor. Neem contact op met de verkoper van het toestel.

LIFT MOTOR OVERLOAD - Overbelasting van de hefmotor. Controleer of u het toestel correct gebruikt: overbelast de hefmotor niet door steeds de hellingshoek te wijzigen. Schakel de stroom van de lootrainer uit met de hoofdschakelaar, wacht een minuut en zet hem dan opnieuw aan. Bij het starten voert de mat automatisch het ijkken van de hefmotor uit. Als de foutmelding niet terugkomt, kunt u het toestel verder normaal gebruiken. Als de foutmelding niet verdwijnt, neem dan contact op met de verkoper van het toestel.

ONDERHOUD MELDING

CHECK LUBRICATION. Controleer of de mat voldoende gesmeerd is; smeer de mat eventueel. Druk op de ENTER twee keer om de melding te verwijderen.

TRANSPORT EN OPSLAG

Verplaats de T90 lootrainer als volgt. Schakel de stroom uit met de schakelaar en trek de stekker uit het stopcontact en uit de lootrainer. Ga achter het apparaat staan en pak het aluminiumprofiel aan de achterkant van het apparaat vast. Til het apparaat zover op dat het op de transportwielen komt te rusten. U kunt het apparaat nu verplaatsen door het te duwen en verrijden op de wielen. Laat het looponderstel voorzichtig op de grond zakken.

BELANGRIJK! Extra voorzichtigheid is geboden bij het verplaatsen van de looptrainer over een oneffen vloer of over een drempel. Ook mag de looptrainer beslist nooit op de wielen over een trap gereden worden, in dit geval moet de looptrainer worden opgetild. Pas op dat de vloer niet beschadigt wanneer u het toestel verplaatst. Bescherm tere vloermaterialen zoals parketvloeren enz. Het kan zijn dat de lootrainer opnieuw gecentreerd moet

worden nadat deze verplaatst is.

Berg de trainer op in een droge ruimte met een redelijk constante temperatuur en dek de trainer af tegen stof. Haal na gebruik altijd de stekker uit het stopcontact.

TECHNISCHE GEGEVENS

Lengte	214 cm
Hoogte	143 cm
Breedte	91 cm
Gewicht.....	126 kg
Lengte loopvlak	158 cm
Breedte loopvlak	52 cm
Snelheid	0,3-18,0 km/h
Hellinghoek	0-12 %
Motor	3,5 pk

Alle Tunturi modellen voldoen aan de eisen van EUs EMC. Directiven betreffende elektromagnetische compatibiliteit (89/336/EEC) en elektrische apparatuur ontworpen voor gebruik binnen bepaalde spanningslimieten (73/23/EEC). Daarom is dit product met de CE label voorzien. De Tunturi T90 looptrainer voldoen aan EN precisie- en veiligheidsnormen (Norm SA, EN-957, deel 1 en 6).

In verband met ons beleid van voortdurende productinnovatie, is Tunturi gerechtigd om specificaties te veranderen zonder daarover nader te berichten.

BELANGRIJK! De garantie vervalt bij schade als gevolg van het niet volgen van de instructies in deze gids betreffende het monteren, het instellen en het onderhouden van de apparatuur. Veranderingen of modificaties, welke niet door Tunturi Oy Ltd zijn goedgekeurd, laten de Tunturi Oy Ltd product aansprakelijkheid geheel vervallen.

Wij wensen u veel plezierige trainingen met uw nieuwe Tunturi trainingspartner!

INDICE

ASSEMBLAGGIO.....	52
(Corrimano più lunghi).....	100
ALLENAMENTO.....	54
BATTITO CARDIACO.....	54
PANNELLO.....	55
IMPOSTAZIONI.....	56
SCELTA DELL'ESERCIZIO.....	57
MANUTENZIONE.....	61
DISTURBI DURANTE L'USO.....	62
CODICI DISFUNZIONI.....	63
SPOSTAMENTO ED IMMAGAZZINAGGIO.....	63
DATI TECNICI.....	63

AVVERTENZE

Questo libretto di istruzioni è una parte essenziale della tua attrezzatura da ginnastica. Leggi con attenzione quanto scritto in questa guida, prima del montaggio dei pezzi e prima di fare uso dell'attrezzo o di effettuarne qualunque manutenzione. Ti raccomandiamo pure di conservare la presente guida in un; essa ti fornirà, adesso e nel futuro, le istruzioni necessarie all'uso e alla manutenzione della tua attrezzatura da ginnastica. Tali istruzioni devi seguirle sempre con molta attenzione!

- Assicuratevi che l'impianto sia collegato a terra. Evitare di usare prolunghe. Il consumo massimo è 10 A. Prolunghe che servono più apparecchi, o che hanno fl uttuazioni di voltaggio + 12 % possono risultare dannose all'elettronica del treadmill.
- Non effettuare alcuna manutenzione o riparazione, al di fuori di quelle descritte nella presente guida. Qualunque riparazione più impegnativa, deve essere effettuata da un esperto nella manutenzione di congegni elettromeccanici, autorizzato, in conformità alle leggi della nazione in questione, o comunque abilitato, ad effettuare i predetti lavori di manutenzione o di riparazione. Le istruzioni per le riparazioni, contenute in questa guida, devono essere seguite con molta attenzione.
- Prima dell'inizio del training, consulta un medico per il controllo del tuo stato di salute.
- Se provi nausea, capogiri o presenti altri sintomi anormali, durante gli allenamenti, smetti immediatamente ogni esecuzione e vai dal medico.
- Non tentate riparazioni e manutenzioni diverse da quelle descritte in questo manuale. Seguite alla lettera. Assicuratevi che la presa di corrente sia staccata, prima di metterti a fare qualunque lavoro di montaggio pezzi o di manutenzione.
- Non usatelo in esterno. Consigliamo di conservare l'attrezzatura a temperatura ambiente da +10 a +35°C. Il tasso d'umidità non deve mai superare il 90 %.
- L'attrezzo non può essere usato da persone, il cui peso superi i 150 kg.
- Per maggiori informazioni sulle condizioni di garanzia dell'attrezzo, consultare il libretto di garanzia allegato. La garanzia non copre danni derivati da negligenze derivate nelle regolazioni o nelle manutenzioni descritte in questo manuale!

SEI BENVENUTO NEL MONDO DEGLI ALLENAMENTI TUNTURI!

Hai fatto un'ottima scelta. Si vede che tieni alla tua forma fisica. Indubbiamente sei una persona esigente che richiede il meglio in quanto a qualità e stile. Nella Tunturi troverai il tuo partner ideale. Alta tecnologia, sicurezza e stimolo per sempre migliori prestazioni sono le sue caratteristiche. Qualunque sia il tipo di allenamento che intendi praticare, questo è lo strumento fatto per te. Nel fascicolo unito al tuo attrezzo Tunturi troverai le informazioni necessarie per un allenamento efficace. Puoi anche consultare il sito internet della Tunturi (WWW.TUNTURI.COM).

ASSEMBLAGGIO

Incomincia col disimballaggio dell'attrezzatura, e controlla che essa sia comprensiva delle seguenti parti:

IMBALLAGGIO 1/3:

1. Tappeto
2. Cavo di alimentazione

IMBALLAGGIO 2/3:

3. Barre d'appoggio anteriori
4. Poggiamano-assieme contatore
5. Kit utensili d'installazione (le parti sono segnate con * nella lista pezzi di ricambio): conserva tali utensili con cura, in quanto ne puoi aver bisogno (per esempio, in fase di regolazione dell'attrezzo).

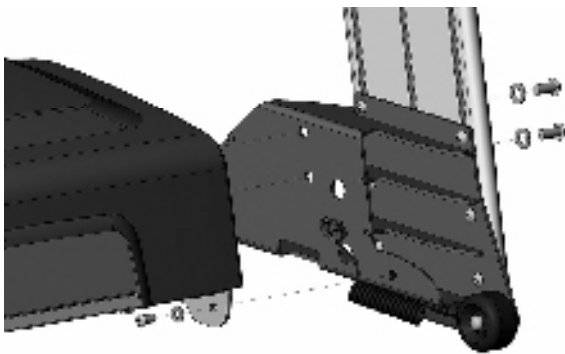
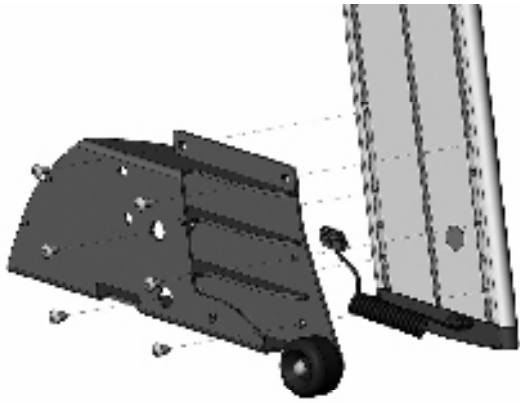
IMBALLAGGIO 3/3

6. Corrimano più lunghi (assemblaggio: pagina 100)

Le direzioni sinistra, destra, fronte e retro sono definite in rapporto alla posizione in cui si trova la persona durante l'allenamento. In caso di problemi, contattate immediatamente il rivenditore dell'attrezzatura. L'imballaggio è inclusivo di sacchetto riempito con silicati, per l'assorbimento dell'umidità durante l'immagazzinamento e il trasporto. Ricordati di disfartene, dopo il disimballaggio dell'attrezzatura. Per installare l'attrezzatura sono necessarie due persone. Per il montaggio, segui le seguenti istruzioni:

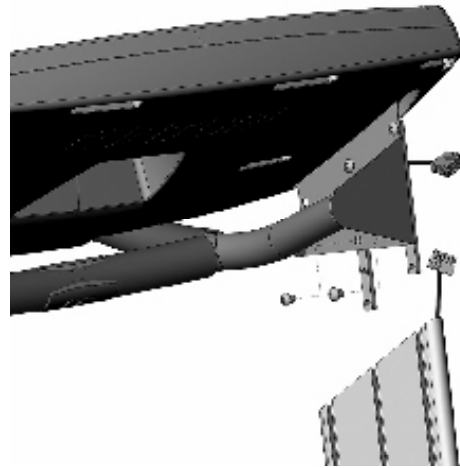
Aprire entrambe le confezioni e rimuovere i supporti in polistirolo.

BARRE D'APPOGGIO ANTERIORI



Fissa gli attacchi delle barre d'appoggio anteriori alla parte inferiore di queste. Entrambi i supporti di fissaggio devono essere fissati con 6 viti esagonali (A). Serra le viti! **NOTA BENE!** Il corrimano sinistro ed il pezzo per montarlo sono contrassegnati da un adesivo rosso. Fissare entrambe le barre anteriori al nastro, utilizzando rispettivamente due viti esagonali (B) ed rosetti (C), una vite esagonali (D) ed un rosette (E). Fare attenzione a non danneggiare il cavetto che fuoriesce dalla barra d'appoggio sinistra. **NOTA BENE!** Serra le viti solo dopo aver montato il corrimano e il contatore.

CORRIMANO E CONTATORE



Ruotare verso il basso le guide che si trovano sui lati del corrimano. In questo modo le guide potranno essere fissate al corrimano con le apposite viti (F), che devono essere inserite attraverso i fori inferiori. Fissare le guide in modo lasco. Non rimuovere le viti delle guide. Abbassare il blocco corrimano - contatore in modo che vada a poggiare sulle barre anteriori. Le guide laterali dei corrimano devono essere inserite nelle apposite scanalature delle barre anteriori. Collega alla presa del contatore il cavo che fuoriesce dal corrimano sinistro. Inserisci poi il cavo all'interno del corrimano. Pressare adesso il blocco del pannello in corrispondenza dell'estremità delle barre anteriori. Serrare tutte le viti esagonali delle guide.

Fare attenzione a non danneggiare il cavetto del sensore delle pulsazioni: il cavetto deve essere posizionato nella scanalatura centrale della barra anteriore. Serra poi le viti di fissaggio. Rimuovi la pellicola protettiva del display del contatore.

Collegare il cavetto proveniente dal corrimano sinistro alla presa che si trova sotto il treadmill, sempre a sinistra. Per facilitare questa operazione, inclinare leggermente il treadmill sul lato destro.

CHIAVE DI SICUREZZA

Se la chiave di sicurezza viene rimossa dal pannello il tappeto si ferma immediatamente. Inserite la chiave entro l'apposito alloggiamento e attaccate la clip all'altro capo alla maglietta o al colletto. Assicurarsi che la clip della chiave di sicurezza sia fissata correttamente ad un capo dell'abbigliamento che indossate; anche se con il cavo sotto tensione, la clip non deve mai staccarsi dal capo di abbigliamento prima che la chiave non sia stata rimossa dal pannello.

CAVO PER LA CORRENTE

Prima di collegare il dispositivo a una presa di corrente, assicurati che il voltaggio in uso sia quello indicato sulla piastrina di specificazione dell'attrezzo in questione. Attacca la corrente al dispositivo, usando l'interruttore che si trova vicino alla presa per l'elettricità. **ATTENZIONE!** T90 deve

essere collegato a corrente con presa di terra. Non fare uso di prolunghe, quando colleghi l'attrezzo ad una presa di corrente.

ALLENAMENTO

Prima di iniziare l'allenamento, leggere attentamente le istruzioni di funzionamento ed uso del treadmill motorizzato.

L'allenamento con il treadmill T90 è un eccellente esercizio aerobico molto meglio se di bassa intensità ma di lunga durata per persone di tutte le età. L'allenamento aerobico migliora la capacità polmonare, che migliora la resistenza e la condizione fisica in generale. La capacità del corpo umano di bruciare grasso è direttamente dipendente alla capacità di immissione dell'ossigeno.

L'esercizio aerobico è particolarmente piacevole. Nonostante l'esercizio stimoli la sudorazione, il battito cardiaco deve comunque rimanere entro limiti accettabili. In questo modo l'allenamento può essere prolungato nel tempo. Si condigliano sedute di allenamento di 30-60 minuti, tre volte alla settimana in linea con la propria condizione fisica e con gli obiettivi prefissati.

Se desideri camminare e non correre, potrai variare il carico d'allenamento, modificando l'inclinazione del treadmill. Inoltre, si possono utilizzare dei piccoli manubri per diversificare di più questo tipo di allenamento. Fare comunque attenzione al mantenimento dell'equilibrio e a tutti gli altri fattori di rischio.

CIRCA L'AMBIENTE IN CUI ESERCITARSI

- Colloca l'attrezzatura su di una superficie solida e piana. Lasciate 200x100 cm di spazio dietro e 100 cm ai lati e davanti. Assicurarsi inoltre che durante l'uso dell'attrezzo né i bambini, né gli animali domestici si avvicinino a quest'area.
- È una buona idea, quella di collocare l'attrezzo su di una base protettiva.
- Assicurati che l'ambiente abbia una ventilazione adeguata. Per evitare raffreddori, non far allenamenti in un posto esposto a correnti d'aria.

CIRCA L'USO DELL'ATTREZZO

- Stacca sempre la corrente, tramite l'apposito interruttore, dopo ogni sessione di allenamento.
- I genitori, o chi per loro, dovrebbero far attenzione alla tendenza naturale dei bambini, di voler giocare e di essere curiosi. Ciò potrebbe portare a situazioni e a comportamenti, che non rientrano tra i requisiti dell'attrezzatura. Se l'attrezzo viene lasciato all'uso dei bambini, bisogna
 - controllarli, ed insegnare loro ad usarlo correttamente, facendo sempre mente locale allo sviluppo fisico e mentale dei bambini, e alla loro personalità.
 - Il treadmill può essere usata da una sola persona alla volta.
 - Non avvicinare le mani a parti dell'attrezzo che

siano in movimento.

- Durante gli allenamenti, usa abiti e scarpe adeguate.
- Prima di incominciare ad usare l'attrezzatura, assicurati che tutti i suoi congegni siano funzionanti a dovere. Non usare attrezzi difettosi.
- Non usare l'attrezzo, qualora l'involucro di protezione non sia fissato al suo posto.
- Non lasciare il treadmill in funzione da solo.

INIZIO DI ESECUZIONE

- Se provi nausea, capogiri o presenti altri sintomi anormali, durante gli allenamenti, smetti immediatamente ogni esecuzione e vai dal medico.
- Mettete i piedi sui binari laterali e non sul nastro.
- Inizia l'allenamento selezionando una velocità moderata. Aumenta poi la velocità o modifica l'inclinazione del treadmill a secondo degli obiettivi dell'allenamento.
- Per evitare dolori e sforzi muscolari, inizia e finisci ogni esecuzione con lo stretching.
- Mantieni la schiena ed il collo dritti in modo da evitare il loro indolenzimento. Ricorda sempre di correre nell'area centrale del tappeto, mantenendo costante la distanza dal contatore. In questo modo sarà sempre a portata di mano.
- Se, durante l'uso dell'attrezzatura, dovessero manifestarsi degli inconvenienti, afferra i corrimano e metti i piedi sui supporti laterali del tappeto. Spegni il treadmill e consulta il manuale di istruzioni al paragrafo Disturbi durante l'uso.
- Impugnate sempre il manubrio quando salite o scendete dal treadmill e quando cambiate velocità. Non saltate giù quando il nastro è in movimento.

ALLA FINE DI ESECUZIONE

- Non interrompere l'allenamento improvvisamente. Consigliamo di ridurre gradatamente sia la velocità che il livello di resistenza. Inoltre, ricordiamo l'importanza dello stretching alla fine dell'allenamento.
- Attaccare la chiave di sicurezza.
- Spegner l'interruttore generale.
- Togliere la spina e levare il cavo dalla portata di bambini.
- Se necessario pulire l'attrezzo con un panno umido. Non usare solventi.

BATTITO CARDIACO

Qualunque sia lo scopo che tu ti sia prefissato, i risultati migliori saranno raggiunti col suddetto training al giusto livello di sforzo, e la misura migliore, per tale sforzo, è il ritmo del tuo stesso cuore.

CARDIOFREQUENZIMETRO INTEGRATO NEL

CORRIMANO

Il cardiofrequenzimetro del T90 è integrato nel corrimano. I sensori installati, rivelano la frequenza cardiaca quando l'utente appoggia entrambe le mani sul corrimano. Per garantire l'accuratezza

del rilevamento, è importante che le mani siano in continuo contatto con i sensori e che la pelle di quest'area sia leggermente umida. Una pelle troppo umida o troppo asciutta possono compromettere il corretto funzionamento del cardiofrequenzimetro. Ricordare inoltre che se durante l'allenamento si fa troppa pressione con i piedi (corsa) sul treadmill, questo potrebbe compromettere negativamente sull'affidabilità della misurazione del cardiofrequenzimetro. Per garantire un uso affidabile dell'attrezzo, consigliamo di utilizzare il cardiofrequenzimetro solo se l'allenamento prevede una velocità a passo d'uomo, quando ci si ferma e si rimane in piedi sui bordi oppure fermando il treadmill.

ATTENZIONE! La conferma del rilevamento cardiaco del cardiofrequenzimetro dura all'inizio della misurazione 8 secondi.

MISURAZIONE TELEMETRICA

La misurazione telemetrica è la più affidabile, gli elettrodi rilevano e trasmettono le pulsazioni dal cuore al pannello per mezzo di un campo elettromagnetico.

ATTENZIONE! Coloro i quali sono portatori di pacemaker devono consultare il proprio medico, che indicherà o meno la possibilità di utilizzare l'attrezzo con questo tipo di cardiofrequenzimetro.

Se volete misurare le pulsazioni in questo modo durante l'allenamento, inumidite gli elettrodi in gomma posti sulla cinghia elastica con saliva e acqua. Allacciate la cintura sotto al petto abbastanza stretta in modo che gli elettrodi rimangano a contatto con la pelle, ma non così stretta da rendere difficile la respirazione. Il campo di trasmissione massimo o è circa 1 m. nella portata di trasmissione. Se allacciate le cintura sopra una maglietta, inumiditela leggermente nei punti di contatto degli elettrodi.

Se gli elettrodi non sono umidi, il vostro battito non appare sullo schermo. Se gli elettrodi sono asciutti, inumiditeli nuovamente. Se ci sono parecchi sistemi di rilevazione telemetrica vicini, è bene che la distanza tra loro sia di almeno 1.5 m. Il trasmettitore si accende da solo appena rileva i primi battiti. Sudore o creme possono mantenerlo acceso anche dopo l'uso consumando la batteria. Ecco perché è bene pulire gli elettrodi dopo l'uso.

Prima di scegliere gli abiti da ginnastica, tieni presente che alcune fibre tessili in essi usate (esempio poliesteri e poliamidi) sono produttrici di elettrostaticità, e ciò può inficiare l'affidabilità della misura pulsazioni. Tieni anche presente che telefono cellulare, TV ed altri apparati elettrici formano all'intorno un campo elettromagnetico, con conseguenti problemi nella misura del battito cardiaco.

Per prima cosa, quindi, devi sapere qual'è il livello massimo di battiti cardiaci, ovvero sia il livello,

oltre il quale le pulsazioni non aumentano, pur aggiungendo sforzi. Se tu non conosci il numero massimo delle tue pulsazioni, puoi usare la seguente formula indicativa:

220 - L'ETÀ

Naturalmente, il valore massimo effettivo varia da persona a persona. Il numero massimo di pulsazioni cardiache diminuisce, in media, di un punto ogni anno. Se appartieni ad un gruppo a rischio, chiedi a un medico di misurare il tuo livello massimo di pulsazioni cardiache. Abbiamo definito tre differenti aree di pulsazioni, per aiutarti a stabilire il tuo livello di training.

PRINCIPIANTI: 50-60 % del massimo di pulsazioni

Questo livello è indicato anche per i weight-watchers, per i convalescenti e per coloro che non hanno fatto allenamento per lungo tempo. Si raccomandano tre periodi di training ininterrotto alla settimana, ognuno della durata di almeno mezz'ora. Un esercizio regolare migliora notevolmente la performance respiratoria e circolatoria del principiante, tanto da farti sentire presto molto più in forma.

TRAINER: 60-70 % del massimo di pulsazioni

Questo livello è perfetto per chi voglia migliorare il proprio fitness e mantenerlo in ottime condizioni. Uno sforzo ragionevole e bilanciato migliora notevolmente le funzioni cardiovascolari e respiratorie; il training deve durare per almeno 30 minuti e deve essere fatto come minimo tre volte alla settimana. Per migliorare ulteriormente la tua condizione fisica, puoi aumentare la frequenza o l'intensità dello sforzo, ma non entrambi allo stesso tempo!

TRAINER ATTIVO: 70-80 % del massimo di pulsazioni

Le esercitazioni a questo livello vanno bene solo per coloro che hanno raggiunto una forma quasi perfetta e devono essere precedute da lunghi periodi di allenamenti "endurance".

PANNELLO

TASTI FUNZIONE

START

Parti con l'esercizio prescelto.

TASTI VELOCITÀ (LEPRE / TARTARUGA)

Premendo la tasto lepre incrementa la velocità del nastro a passi di 0,1 km/h, premendo la tasto tartaruga diminuisce la velocità a passi di 0,1 km/h. Premendo questi tasti più a lungo il cambiamento di velocità si verifica più rapidamente. La scala di velocità della pedana va da 0,3-18,0 km/h / 0,2-11 mph.

TASTI INCLINAZIONE

Ad ogni pressione della tasto "su", l'inclinazione della pedana aumenta dello 0,5 %, mentre ogni volta che si preme la tasto "giù", l'inclinazione diminuisce dello 0,5 %. Per variazioni più veloci, la pressione sulle freccette deve essere continua. L'inclinazione può variare fra 0 e 12 %.

STOP / PAUSE / RESET

Premendo una volta il tasto STOP, il treadmill si ferma e va ad assumere una posizione di attesa per la durata di 5 minuti e nello stesso tempo inizia automaticamente la misurazione delle pulsazioni di risposta cardiaca. Nel periodo dei suddetti 5 minuti, puoi riavviare l'esercizio interrotto, premendo il tasto START. Se poi premi di nuovo il tasto STOP, il tuo esercizio è finito.

TASTI FRECCIA

Questi tasti ti permettono di graduare il livello di difficoltà negli esercizi programmati ed di graduare il livello di pulsazioni cardiache negli esercizi a controllo pulsazioni cardiache. Ad ogni pressione del tasto "su", il grado di difficoltà aumenta del 1 %, mentre ogni volta che si preme il tasto "giù", il livello di difficoltà diminuisce del 1 %.

SELECT

Prima di premere il tasto START, il tasto SELECT ti permette di scegliere la forma di esercizio. Durata dell'esercizio, il tasto SELECT ti permette di scegliere la forma del profilo sul display grafico.

ENTER

Conferma la tua scelta (forma di esercizio o esercizio predisposto, setup utente).

SET

Le impostazioni dell'attrezzo sono visibili, premendo il tasto SET.

SPEED

Dopo aver attivato la modalità di annegamento manuale, è possibile regolare rapidamente la velocità, premendo il tasto SPEED. Una prima pressione fa aumentare la velocità di 5,4 km/h, la seconda di 7,2 km/h e la terza di 9,6 km/7. Per ridurre la velocità, ripetere suddette operazioni in ordine inverso.

COOL DOWN

Il tasto COOL DOWN avvia un periodo di defaticamento automatico di 5 minuti, alla fine del quale il trademill si arresterà. Con i profili preimpostati il periodo di defaticamento si attiva automaticamente alla fine del programma.

T-WARE

Questo attrezzo è compatibile con il software di T-Ware. Consulta il sito internet della Tunturi (www.tunturi.com).

DISPLAY

HEART RATE

Medición del ritmo cardíaco, 45-220 bpm. La lucetta pulsazioni lampeggia sempre, quando il contatore riceve segnali da battito cardiaco.

KCAL

Calorie, il presunto consumo energetico (0-9999 kcal), con intervalli di 1 chilocaloria.

ELEVATION

Ángulo de inclinación, 0-12 %, con intervalli di 0,5 %.

TIME

durata dell'esercizio, riportata con la precisione di un secondo nel periodo 00:00 - 99:59. Dopo tale periodo, e cioè h1:40- h9:59, la precisione è al minuto.

DISTANCE

Distanza, il tragitto effettuato in chilometri (0,00-99,99 km), con intervalli di 0,01 km.

SPEED

La velocità del tappeto in chilometri orari (0,3-18,0 km/h / 0,2-11 mph), con intervalli di 0,1 km/h. La spia evidenzia l'unità di misura selezionata (km/h, mph, pace = minuti / chilometri).

DISPLAY GRAFICO/TESTO

Il display grafico indipendente, di cui è dotato il modello T90, fornisce informazioni dettagliate sul profilo dell'allenamento, mentre il campo di testo guida l'utente durante le varie fasi dell'allenamento.

IMPOSTAZIONI

1. Premi il tasto SET.
2. Inserisci le unità di misura (Metric = sistema metrico-decimale, Imperial = unità di misura inglesi); spostati da un dato all'altro tramite i tasti freccia, e conferma il dato da inserire facendo uso del tasto ENTER. A questo punto passerai all'inserimento del dato successivo.
3. Impostare il peso dell'utente. Cambia i dati tramite i tasti freccia, e conferma il dato inserito facendo uso del tasto ENTER. Il dato è necessario per effettuare il calcolo sul consumo di energia.
4. Dati concernenti il sesso (Male = maschile, Female = femminile); spostati da un dato all'altro tramite i tasti freccia, e conferma il dato da inserire facendo uso del tasto ENTER. Il dato è necessario per effettuare il calcolo sul consumo di energia.
5. Scrivi l'età dell'utente; cambia i dati tramite i tasti freccia, e conferma il dato inserito facendo uso del tasto ENTER. Il dato è necessario per effettuare il calcolo sul consumo di energia.
6. Disponi circa l'uso di segnale acustico (ON = segnale acustico in uso, OFF = segnali acustici non in uso); spostati da un'opzione all'altra tramite i tasti freccia, e conferma l'opzione da inserire facendo uso del tasto ENTER. Durante il programma profilo, il pannello comunica in anticipo l'imminente variazione del profilo, emettendo un segnale

acustico.

7. Impostare le unità di misura dell'attrezzo (km/h, min/km (PACE), mph, min/miglia (PACE)). Cambia i dati tramite i tasti freccia, e conferma il dato inserito facendo uso del tasto ENTER. La selezione delle unità di misura può essere effettuata anche durante l'allenamento: premi il tasto SET, cambia i dati tramite i tasti freccia, e conferma il dato inserito facendo uso del tasto ENTER.

8. Durante i programmi controllo frequenza cardiaca il treadmill deve essere regolato alla velocità massima. Durante questi programmi, la velocità viene regolata automaticamente in base alla frequenza cardiaca dell'utente; se la velocità del treadmill non venisse impostata al massimo fin dall'inizio, questa potrebbe aumentare in misura eccessiva durante l'allenamento. Il valore di default della velocità massima è pari a 12 km/h. Cambia i dati tramite i tasti freccia, e conferma il dato inserito facendo uso del tasto ENTER.

9. La schermata TOTAL TIME visualizza le ore di utilizzo complessive del treadmill. Con tasto ENTER passerai al dato successivo.

10. La schermata TOTAL DISTANCE visualizza la distanza complessiva del treadmill. Per uscire dalla fase "Impostazioni", basta premere il tasto ENTER.

SCelta DELL'ESERCIZIO

Premi quindi il tasto SELECT, finché la spia luminosa non si accenda in corrispondenza dell'esercizio da te scelto. Le selezioni possibili sono le seguenti:

1. Esercizio in Manual, in cui sei tu stesso, durante l'esecuzione, a regolare sia la velocità che l'angolo di inclinazione della pedana.
2. Esercizio HRC, a controllo frequenza cardiaca. In esso la velocità / inclinazione del treadmill viene ad essere regolata automaticamente, in modo che l'esecuzione proceda sempre al livello pulsazioni da te prestabilito; i profili a controllo frequenza cardiaca presuppongono sempre l'uso di cintura pulsazioni.
3. Test di condizione fisica: il treadmill offre due alternative, test di camminata da 2 km e prova di corsa Cooper da 12 km.
4. Nei programmi di allenamento preimpostati i livelli di velocità, inclinazione e battito cardiaco variano in base a rampe predefinite.

P1: ESERCIZIO IN MANUAL

Avvio rapido:

1. L'esercitazione in MANUAL è quella che il treadmill ha come predisposizione di base. Puoi passare direttamente all'esercizio, premendo il tasto START, e il tappeto si metterà in movimento alla velocità di 1,5 km all'ora.

Avvio attraverso la selezione del programma:

2. Premi il tasto SELECT, finché non si accenda la spia luminosa vicina al testo MANUAL. Premi il tasto ENTER per confermare.
3. Premi il tasto START, e il tappeto si metterà in

movimento, alla velocità di 1,5 km all'ora. Sei tu a regolare la velocità del nastro, mediante i tasti SPEED, lepre e tartaruga, ed la inclinazione, facendo uso dei tasti inclinazione.

4. Sul display del profilo, ad intervalli di un minuto, si predispongono i dati relativi alla velocità di esecuzione. Trascorsi 20 minuti, i dati in visione incominciano a spostarsi a sinistra, in modo che sul display restino solo i dati velocità relativi agli ultimi 20 minuti. Premendo il tasto SELECT durante l'allenamento, è possibile visualizzare nel campo di testo i profili cumulativi di velocità, inclinazione e frequenza cardiaca dell'esercizio in corso.

5. Premendo una volta il tasto STOP, il treadmill si ferma e va ad assumere una posizione di attesa, per la durata di 5 minuti. Entro tale lasso di tempo, puoi riavviare l'esercizio interrotto, premendo il tasto START. Per fermare l'attrezzo basta premere due volte il tasto STOP. In questo caso il pannello visualizzerà le informazioni relative all'allenamento completato e poi passerà in modalità avviamento.

P2: ESERCIZIO A CONTROLLO PULSAZIONI

CARDIACHE

Gli esercizi a pulsazioni standard rendono possibile l'esecuzione di un esercizio, in cui le pulsazioni cardiache si mantengano ai livelli desiderati. Gli esercizi presuppongono sempre l'uso di cintura pulsazioni. Se la misura dei battiti non funziona, sulla lavagna del display compare l'avviso CHECK TRANSMITTER. In questo caso, accertati di avere osservato tutte le istruzioni concernenti l'uso di cintura pulsazioni.

1. Premi il tasto SELECT, finché non si accenda la spia luminosa vicina al testo HRC. Premi il tasto ENTER per confermare.
2. Selezionare il modello di controllo in base alla frequenza cardiaca, utilizzando i tasti freccia:
 - A) Inclinazione = La definizione del livello delle pulsazioni si basa principalmente sui cambiamenti del livello di pendenza della piattaforma. In questo modo di esercizio sei tu a regolare la velocità del nastro, mediante la funzione PSC o tramite i tasti lepre e tartaruga.
 - B) Velocità = La definizione del livello delle pulsazioni si basa sui cambiamenti della velocità del tappeto. Se lei desidera, lei può cambiare l'inclinazione a mano.
 - C) Combinazione = La definizione del livello delle pulsazioni si basa sul controllo esercitato dall'attrezzo in maniera uguale sia sull'angolo di pendenza della piattaforma che sulla velocità del tappeto.
3. Premi il tasto ENTER per confermare.
4. Fissa il valore pulsazioni, da te desiderato (80-180), facendo uso dei tasti freccia. Premi il tasto ENTER per confermare.
5. Inizia il programma a pulsazioni standard premendo il tasto START.
6. Durante l'esercizio, puoi cambiare il livello di frequenza cardiaca facendo uso dei tasti freccia.
7. Sul display del profilo, ad intervalli di un minuto,

si predispongono i dati relativi alla velocità di esecuzione. Trascorsi 20 minuti, i dati in visione incominciano a spostarsi a sinistra, in modo che sul display restino solo i dati velocità relativi agli ultimi 20 minuti. Premendo il tasto SELECT durante l'allenamento, è possibile visualizzare nel campo di testo i profili cumulativi di velocità, inclinazione e frequenza cardiaca dell'esercizio in corso.

8. Premendo una volta il tasto STOP, il treadmill si ferma e va ad assumere una posizione di attesa, per la durata di 5 minuti. Entro tale lasso di tempo, puoi riavviare l'esercizio interrotto, premendo il tasto START. Per fermare l'attrezzo basta premere due volte il tasto STOP. In questo caso il pannello visualizzerà le informazioni relative all'allenamento completato e poi passerà in modalità avviamento.

P3: TEST DI CONDIZIONE FISICA

Il treadmill permette di eseguire due diversi test di condizione fisica. Il più leggero è un test di camminata di 2 km, che viene effettuata a velocità sostenuta. Per i più in forma è invece consigliato il test di corsa Cooper, che dura 12 minuti.

1. Premi il tasto SELECT, finchè non si accenda la spia luminosa vicina al testo TEST. Premi il tasto ENTER per confermare.
2. Premere il tasto SELECT per selezionare il test di camminata da 2 km od il test Cooper. Premi il tasto ENTER per confermare.

TEST FITNESS DI 2 KM DI CAMMINATA

Il test di camminata richiede l'uso del cardiofrequenzimetro. Durante il test, il livello della condizione fisica viene calcolato in base alla frequenza cardiaca ed al tempo impiegato per completare il percorso di 2 km. Il test prevede 3 minuti di riscaldamento. Raccomandiamo inoltre che, terminato il test, l'utente continui a camminare a velocità più bassa per far tornare al suo ritmo normale la frequenza cardiaca. In base ai risultati del test, sul display viene visualizzato il consumo di ossigeno calcolato.

INIZIO DEL TEST DI CAMMINATA:

1. Il programma chiede nel campo di testo l'altezza (HEIGHT) dell'utente: inserire la propria altezza, utilizzando i tasti freccia. Confermare la selezione, premendo il tasto ENTER.
2. Il programma chiede nel campo di testo il sesso (SEX) dell'utente: inserire il proprio sesso, utilizzando i tasti freccia. Confermare la selezione, premendo il tasto ENTER.
3. Il programma chiede nel campo di testo il peso (WEIGHT) dell'utente: inserire il proprio peso, utilizzando i tasti freccia. Confermare la selezione, premendo il tasto ENTER.
4. Il programma chiede nel campo di testo l'età (AGE) dell'utente: inserire la propria età, utilizzando i tasti freccia. Confermare la selezione, premendo il tasto ENTER.
5. Il programma indica nel campo di testo l'inizio dei 3 minuti di riscaldamento (WARM UP). Avviare il riscaldamento con il tasto START.

UOMINI / CAPACITÀ MASSIMA DI IMMISSIONE DI OSSIGENO (VO2MAX) 1 = MOLTO BASSO - 7 = OTTIMO							
ETÀ	1	2	3	4	5	6	7
18-19	<33	33-38	39-44	45-51	52-57	58-63	>63
20-24	<32	32-37	38-43	44-50	51-56	57-62	>62
25-29	<31	31-35	36-42	43-48	49-53	54-59	>59
30-34	<29	29-34	35-40	41-45	46-51	52-56	>56
35-39	<28	28-32	33-38	39-43	44-48	49-54	>54
40-44	<26	26-31	32-35	36-41	42-46	47-51	>51
45-49	<25	25-29	30-34	35-39	40-43	44-48	>48
50-54	<24	24-27	28-32	33-36	37-41	42-46	>46
55-59	<22	22-26	27-30	31-34	35-39	40-43	>43
60-65	<21	21-24	25-28	29-32	33-36	37-40	>40
DONNE / CAPACITÀ MASSIMA DI IMMISSIONE DI OSSIGENO (VO2MAX) 1 = MOLTO BASSO - 7 = OTTIMO							
ETÀ	1	2	3	4	5	6	7
18-19	<28	28-32	33-37	38-42	43-47	48-52	>52
20-24	<27	27-31	32-36	37-41	42-46	47-51	>51
25-29	<26	26-30	31-35	36-40	41-44	45-49	>49
30-34	<25	25-29	30-33	34-37	38-42	43-46	>46
35-39	<24	24-27	28-31	32-35	36-40	41-44	>44
40-44	<22	22-25	26-29	30-33	34-37	38-41	>41
45-49	<21	21-23	24-27	28-31	32-35	36-38	>38
50-54	<19	19-22	23-25	26-29	30-32	33-36	>36
55-59	<18	18-20	21-23	24-27	28-30	31-33	>33
60-65	<16	16-18	19-21	22-24	25-27	28-30	>30

6. L'inclinazione del treadmill viene regolata automaticamente all'1%, in modo da simulare la resistenza del vento durante il test. Regolare la velocità con i test freccia. Per il riscaldamento consigliamo una velocità di camminata leggermente superiore a quella media.

7. Durante la fase di riscaldamento il timer eseguirà il conto alla rovescia, partendo da tre minuti. Quando il timer arriverà a 0:00, il pannello emetterà un segnale acustico, avvertendo l'utente dell'inizio del test vero e proprio (TEST STARTED!).

OBIETTIVO DEL TEST DI CAMMINATA:

1. L'obiettivo del test è di camminare il più velocemente possibile per 2 km. Regolare la velocità con i test freccia. Ricordare che durante il test non si può correre!
2. Se il cardiofrequenzimetro non dovesse funzionare correttamente, nel campo di testo verrà visualizzato il messaggio CHECK TRANSMITTER. In questo caso, accertati di avere osservato tutte le istruzioni concernenti l'uso di cintura pulsazioni.
3. Alla fine dei 2 km, il pannello emetterà un segnale acustico. Una volta completato il programma impostato ed il periodo di defaticamento di 5 minuti automatico, il treadmill si fermerà da solo. Nel campo di testo il programma visualizzerà il risultato del test, come consumo massimo di ossigeno e

come possibile livello di condizione fisica.

TEST COOPER

Nel test Cooper il livello della condizione fisica viene calcolato in base alla distanza corsa in un intervallo di tempo di 12 minuti: più lunga sarà la distanza percorsa, migliore sarà la condizione fisica dimostrata. Il test prevede 3 minuti di riscaldamento. Raccomandiamo inoltre che, terminato il test, l'utente continui a camminare a velocità più bassa per far tornare al suo ritmo normale la frequenza cardiaca. In base ai risultati del test, sul display viene visualizzato il consumo di ossigeno calcolato.

INIZIO DEL TEST COOPER

1. Sul display compare il testo COOPER SELECTED. Confermare la selezione, premendo il tasto START.
2. Il programma chiede nel campo di testo il sesso (SEX) dell'utente: inserire il proprio sesso, utilizzando i tasti freccia. Confermare la selezione, premendo il tasto ENTER.
3. Il programma chiede nel campo di testo l'età (AGE) dell'utente: inserire la propria età, utilizzando i tasti freccia. Confermare la selezione, premendo il tasto ENTER.
4. Il programma indica nel campo di testo l'inizio dei 3 minuti di riscaldamento (WARM UP). Avviare il riscaldamento con il tasto START.
5. L'inclinazione del treadmill viene regolata automaticamente all'1%, in modo da simulare la resistenza del vento durante il test. Regolare la velocità con i test freccia. Per il riscaldamento consigliamo una velocità di camminata leggermente superiore a quella media.
6. Durante la fase di riscaldamento il timer eseguirà il conto alla rovescia, partendo da tre minuti. Quando il timer arriverà a 0:00, il pannello emetterà un segnale acustico, avvertendo l'utente dell'inizio del test vero e proprio (TEST STARTED!).

OBIETTIVO DEL TEST COOPER:

1. L'obiettivo del test è di correre il più velocemente possibile per 12 minuti. Regolare la velocità con i test freccia o con la funzione PSC.
2. Nel campo di testo il programma visualizzerà il risultato del test in relazione alla velocità.
3. Alla fine dei 12 minuti, il pannello emetterà un segnale acustico. Una volta completato il programma impostato ed il periodo di defaticamento di 5 minuti automatico, il treadmill si fermerà da solo. Nel campo di testo il programma visualizzerà il risultato del test, come consumo massimo di ossigeno e come possibile livello di condizione fisica.

P4-P16: PROGRAMMI PREIMPOSTATI

Per assicurarsi che ogni esercizio possa essere variopinto e piacevole, oltre che orientato a raggiungere determinati risultati, Tunturi ha messo in programma profili di esercizio in grado di soddisfare le più svariate esigenze. Un segnale acustico, proveniente dal contatore, annuncerà per tempo i cambiamenti di profilo. Sul display compare sia la forma del profilo che i dati relativi alla

successiva colonna profilo.

Il programma P4 è manuale. Il pannello visualizza un percorso circolare di 400 m ed inizia a calcolare i tempi per ogni singolo giro.

1. Premi il tasto SELECT, finché non si accenda la spia luminosa vicina al profilo (P4).
2. Premi il tasto START, e il tappeto si metterà in movimento, alla velocità di 1,5 km all'ora. Sei tu a regolare la velocità del nastro, mediante i tasti SPEED, lepre e tartaruga, ed la inclinazione, facendo uso dei tasti inclinazione.
3. Premendo il tasto SELECT durante l'allenamento, è possibile visualizzare nel campo di testo i profili di velocità, inclinazione e frequenza cardiaca dell'esercizio in corso.
4. Premendo una volta il tasto STOP, il treadmill si ferma e va ad assumere una posizione di attesa, per la durata di 5 minuti. Entro tale lasso di tempo, puoi riavviare l'esercizio interrotto, premendo il tasto START. Per fermare l'attrezzo basta premere due volte il tasto STOP. In questo caso il pannello visualizzerà le informazioni relative all'allenamento completato e poi passerà in modalità avviamento.

Il programma P5 prevede un percorso di 5 km ed il P6 di 10 km. L'inclinazione prevista dal programma è preimpostata, mentre la velocità viene regolata manualmente. Il profilo di inclinazione può essere scalato.

1. Premi il tasto SELECT, finché non si accenda la spia luminosa vicina al profilo (P5-P6).
2. Premi il tasto START, e il tappeto si metterà in movimento. Sei tu a regolare la velocità del nastro, mediante i tasti SPEED, lepre e tartaruga.
3. Sei tu a regolare la inclinazione con i tasti inclinazione.
4. Premendo una volta il tasto STOP, il treadmill si ferma e va ad assumere una posizione di attesa, per la durata di 5 minuti. Entro tale lasso di tempo, puoi riavviare l'esercizio interrotto, premendo il tasto START. Per fermare l'attrezzo basta premere due volte il tasto STOP. In questo caso il pannello visualizzerà le informazioni relative all'allenamento completato e poi passerà in modalità avviamento.
5. Una volta completato il programma impostato ed il periodo di defaticamento automatico, il treadmill si fermerà da solo.

I programmi P7 e P8 si basano sul mantenimento di una determinata frequenza cardiaca. Il programma P7 dura 15 minuti ed è particolarmente indicato per il riscaldamento prima di altri tipi di allenamento. Il programma P8 dura 30 minuti ed è particolarmente indicato per gli esercizi aerobici. In quanto profili a controllo frequenza cardiaca presuppongono sempre l'uso di cintura pulsazioni. Se la misura dei battiti non funziona, sulla lavagna del display compare l'avviso CHECK TRANSMITTER. In questo caso, accertati di avere osservato tutte le istruzioni concernenti l'uso di cintura pulsazioni.

1. Premi il tasto SELECT, finché non si accenda la spia luminosa vicina al profilo (P7-P8). Premi il tasto

ENTER per confermare.

2. Selezionare il modello di controllo in base alla frequenza cardiaca, utilizzando i tasti freccia.
3. Premi il tasto START; l'esercizio incomincia e il tappeto si mette in movimento. Puoi graduare il livello velocità del profilo, facendo uso dei tasti freccia: in su o in giù, del 1 % alla volta.
4. Premendo una volta il tasto STOP, il treadmill si ferma e va ad assumere una posizione di attesa, per la durata di 5 minuti. Per fermare l'attrezzo basta pressare due volte il tasto STOP. In questo caso il pannello visualizzerà le informazioni relative all'allenamento completato e poi passerà in modalità avviamento.
5. Una volta completato il programma impostato ed il periodo di defaticamento automatico, il treadmill si fermerà da solo.

I programmi **P9-P11** presentano livelli di difficoltà variabili e valori di velocità ed inclinazione prefissati. La velocità può essere scalata in base al livello desiderato; inoltre, l'utente può selezionare in modo personalizzato sia il valore di durata che di distanza.

1. Premi il tasto SELECT, finchè non si accenda la spia luminosa vicina al profilo (**P9-P11**). Premi il tasto ENTER per confermare.
2. Impostare la distanza / durata del profilo. Premi il tasto SELECT per cambiare distanza / durata. Puoi cambiare tale valore, facendo uso dei tasti freccia (i valori vanno da un minimo di 10 minuti (0:10) ad un massimo di 3 ore (3:00), con variazioni graduali di 5 minuti alla volta / 3 km – 42 km, con variazioni graduali di 1 km alla volta).
3. Premi il tasto START; l'esercizio incomincia e il tappeto si mette in movimento. Puoi graduare il livello velocità del profilo, facendo uso dei tasti freccia: in su o in giù, del 1 % alla volta. Pressando il tasto SELECT durante l'allenamento, è possibile visualizzare nel campo di testo i profili cumulativi di velocità e inclinazione dell'esercizio in corso.
4. Premendo una volta il tasto STOP, il treadmill si ferma e va ad assumere una posizione di attesa, per la durata di 5 minuti. Entro tale lasso di tempo, puoi riavviare l'esercizio interrotto, premendo il tasto START. Per fermare l'attrezzo basta pressare due volte il tasto STOP. In questo caso il pannello visualizzerà le informazioni relative all'allenamento completato e poi passerà in modalità avviamento.
5. Una volta completato il programma impostato ed il periodo di defaticamento automatico, il treadmill si fermerà da solo.

P12 è un programma di allenamento tipo intervallato che permette all'utente di definire la distanza da percorrere, la durata dell'esercizio e la velocità del treadmill.

1. Premi il tasto SELECT, finchè non si accenda la spia luminosa vicina al profilo (**P12**). Premi il tasto ENTER per confermare.
2. Impostare la distanza / durata del profilo. Premi il tasto SELECT per cambiare distanza / durata. Puoi cambiare tale valore, facendo uso dei tasti freccia (i valori vanno da un minimo di 10 minuti (0:10) ad un massimo di 3 ore (3:00), con variazioni graduali

di 5 minuti alla volta / 3 km – 42 km, con variazioni graduali di 1 km alla volta).

3. Premi il tasto START; l'esercizio incomincia e il tappeto si mette in movimento. In questo modo di esercizio sei tu a regolare la velocità del nastro, mediante il tasto SPEED o tramite i tasti lepre e tartaruga.
4. Sei tu a regolare la inclinazione con i tasti inclinazione.
5. Premendo una volta il tasto STOP, il treadmill si ferma e va ad assumere una posizione di attesa, per la durata di 5 minuti. Per fermare l'attrezzo basta pressare due volte il tasto STOP. In questo caso il pannello visualizzerà le informazioni relative all'allenamento completato e poi passerà in modalità avviamento.
6. Una volta completato il programma impostato ed il periodo di defaticamento automatico, il treadmill si fermerà da solo.

I programmi **HRC (P13-P16)** sono programmi a frequenza cardiaca controllate, con diversi livelli di impegno. In essi puoi predeterminare la durata dell'esercitazione. In quanto programmi a controllo frequenza cardiaca presuppongono sempre l'uso di cintura pulsazioni. Se la misura dei battiti non funziona, sulla lavagna del diplay compare l'avviso CHECK TRANSMITTER. In questo caso, accertati di avere osservato tutte le istruzioni concernenti l'uso di cintura pulsazioni.

1. Premi il tasto SELECT, finchè non si accenda la spia luminosa vicina al profilo (**P13-P16**). Premi il tasto ENTER per confermare.
2. Selezionare il modello di controllo in base alla frequenza cardiaca, utilizzando i tasti freccia. Premi il tasto ENTER per confermare.
3. Impostare la distanza / durata del profilo. Premi il tasto SELECT per cambiare distanza / durata. Puoi cambiare tale valore, facendo uso dei tasti freccia (i valori vanno da un minimo di 10 minuti (0:10) ad un massimo di 3 ore (3:00), con variazioni graduali di 5 minuti alla volta / 3 km – 42 km, con variazioni graduali di 1 km alla volta). Premi quindi il tasto ENTER per confermare il dato fornito.
4. Premi il tasto START; l'esercizio incomincia e il tappeto si mette in movimento. Puoi graduare il livello velocità del profilo, facendo uso dei tasti freccia: in su o in giù, del 1 % alla volta.
5. Premendo i tasti velocità puoi graduare la velocità massima del treadmill.
6. Premendo una volta il tasto STOP, il treadmill si ferma e va ad assumere una posizione di attesa, per la durata di 5 minuti. Entro tale lasso di tempo, puoi riavviare l'esercizio interrotto, premendo il tasto START. Per fermare l'attrezzo basta pressare due volte il tasto STOP. In questo caso il pannello visualizzerà le informazioni relative all'allenamento completato e poi passerà in modalità avviamento.
7. Una volta completato il programma impostato ed il periodo di defaticamento automatico, il treadmill si fermerà da solo.

PROFILI DEI PROGRAMMI (le foto sono riportate nella copertina di fondo)

P4 (Track) è manuale. Il pannello visualizza un percorso circolare di 400 m ed inizia a calcolare i tempi per ogni singolo giro. Il profilo è particolarmente indicato per chi si allena alla corsa amatoriale o competitiva. Regolando l'angolo di inclinazione del treadmill si può simulare la resistenza dell'aria.

P5 (5K Course). La lunghezza fissa del programma è pari a 5 km. L'inclinazione prevista dal programma è preimpostata, mentre la velocità viene regolata manualmente. Il profilo di inclinazione può essere scalato. Il profilo è indicato per chi si allena alla corsa: 5 km è una distanza standard e quindi il programma può essere utilizzato per monitorare il proprio rendimento. Il livello medio di inclinazione va da un minimo di 1,1% ad un massimo di 3%.

P6 (10K Course). La lunghezza fissa del programma è pari a 10 km. L'inclinazione prevista dal programma è preimpostata, mentre la velocità viene regolata manualmente. Il profilo di inclinazione può essere scalato. Il profilo è indicato per chi si allena alla corsa: 10 km è una distanza standard e quindi il programma può essere utilizzato per monitorare il proprio rendimento. Il livello medio di inclinazione va da un minimo di 0,875 % ad un massimo di 3%.

P7 (15 Min Warm Up). Il programma ha come obiettivo quello di mantenere costante la frequenza cardiaca. La lunghezza standard del programma è di 15 minuti ed è indicato per il riscaldamento prima di altri tipi di allenamento. La frequenza cardiaca preimpostata è pari a 113 battiti, mentre quella massima a 122.

P8 (30 Min Health). Il programma ha come obiettivo quello di mantenere costante la frequenza cardiaca. Il programma P8 dura 30 minuti ed è particolarmente indicato per gli esercizi aerobici. La frequenza cardiaca preimpostata è pari a 117 battiti, mentre quella massima a 126.

P9 (Hill Walk). Il profilo prevede variazioni di pendenza costanti ed un passo sostenuto ed uniforme. È particolarmente indicato per i principianti e per chi pratica la camminata (walking). La velocità media preimpostata è di 5,2 km/h e la massima di 5,8 km/h. La pendenza media è pari a 2,7%.

P10 (Hill Jog). Il profilo prevede cambiamenti di pendenza varie ed un ritmo di corsa leggero ed uniforme. È particolarmente indicato per i principianti e per il mantenimento della condizione fisica. La velocità media preimpostata è di 6,9 km/h e la massima di 7,2 km/h. La pendenza media è pari a 1,9 %.

P11 (Hill Run). Il profilo prevede una pendenza uniforme e limitata, ed un ritmo di corsa sostenuto e variabile. È indicato per chi pratica la corsa. La velocità media preimpostata è di 11,6 km/h e la massima di 12,5 km/h. La pendenza media è pari a 1,8 %.

P12 (Rolling Hills). Distanza da percorrere: la lunghezza del profilo può essere impostata in chilometri. Nonostante questo profilo sia stato sviluppato soprattutto per chi pratica lo sport a livello agonistico, è indicato anche per il miglioramento della condizione fisica. La lunghezza massima del percorso è pari a 42 km, distanza preimpostata pari a 3 km e possibilità di regolazione 1 km alla volta. Le importazioni della pendenza sono di tipo ad intervallo ed il valore medio è pari al 2,4%.

P13 (Fatburner 1). Profilo d'intensità media, con controllo della frequenza cardiaca. Questo profilo si basa sull'aumento e la riduzione intervallata della frequenza cardiaca. Questo profilo è indicato per il controllo del peso corporeo. La frequenza cardiaca preimpostata è pari a 114 battiti, mentre quella massima a 125.

P14 (Fatburner 2). Profilo d'intensità media, con controllo della frequenza cardiaca. Questo profilo si basa sull'aumento e la riduzione intervallata della frequenza cardiaca. È particolarmente indicato per il miglioramento della condizione fisica e per il controllo del peso corporeo. La frequenza cardiaca preimpostata è pari a 122 battiti, mentre quella massima a 136.

P15 (Cardio). Profilo d'intensità media, con controllo della frequenza cardiaca. Questo profilo si basa sull'aumento e la riduzione costante della frequenza cardiaca, che si attesta intorno a 130-140 battiti per l'intera durata dell'esercizio. Questo profilo è particolarmente indicato per il miglioramento della condizione fisica. La frequenza cardiaca preimpostata è pari a 129 battiti, mentre quella massima a 145.

P16 (Fit). Profilo d'intensità elevata, con controllo della frequenza cardiaca. Questo profilo si basa sull'aumento e la riduzione costante della frequenza cardiaca, che si attesta intorno a 135-145 battiti per l'intera durata dell'esercizio. Questo profilo è particolarmente indicato per chi gode già di un'ottima condizione fisica e per chi invece la vuole migliorare. La frequenza cardiaca preimpostata è pari a 133 battiti, mentre quella massima a 150.

MANUTENZIONE

Per garantire la sicurezza del treadmill è necessario svolgere regolarmente i vari interventi di manutenzione e servizio e riparare eventuali anomalie (usura dei componenti). Importante è controllare periodicamente la tenuta di tutte le viti ed i dadi di fissaggio. Se un componente si guasta, dovrà essere sostituito tempestivamente. Il treadmill non potrà essere utilizzato se non è perfettamente funzionante.

PULIZIA DAL TREADMILL ED LUBRIFICAZIONE

LA MANCATA LUBRIFICAZIONE DEL TREADMILL PUÒ INVALIDARE LA GARANZIA DEL PRODOTTO.

Pulite i corrimano ed il pannello dalle polveri con un panno umido, senza usare solventi. Usate un'aspirapolvere con punta piccola per pulire dalla polvere tutte le parti visibili (nastro, piattaforma, bordi dei rulli etc.). Aspirate anche nelle grate del motore. Anche l'ambiente adiacente al treadmill va conservato pulito. In fase esecutiva, sul treadmill potrebbero concentrarsi polveri o altro sudiciume, con conseguenze dannose al funzionamento dell'apparato.

Per un uso domestico medio (massimo 60 minuti al giorno), si consiglia di controllare la lubrificazione una volta al mese, lubrificando il tappeto solo se necessario. Per un uso più intensivo, è necessario controllare la lubrificazione più frequentemente. Si consiglia di eseguire questo controllo prima di iniziare una sessione di allenamento. Per controllare la lubrificazione, attenersi alla procedura riportata di seguito.

1. Accertarsi che il treadmill sia spento. Posizionarsi sul tappeto, in corrispondenza dell'area in cui normalmente si corre.
2. Afferrare il manubrio orizzontale e far scorrere il tappeto con i piedi avanti e indietro. Il movimento del tappeto deve essere fluido, uniforme e silenzioso.
3. In presenza di un movimento a scatti o se il tappeto non scorre, inserire una mano sotto il tappeto per verificare che sia lubrificato.

Per lubrificare, attenersi alla procedura riportata di seguito:

1. Fissare il beccuccio del tubicino di lubrificazione al contenitore T-Lube S.
2. Regolare la pedana alla massima pendenza.
3. Posizionare il beccuccio tra il tappeto e la base. Raggiungendo il più possibile il centro della pedana.
4. Spruzzare il lubrificante per 2-3 secondi.
5. Abbassare la pedana nella sua posizione normale. Utilizzare il treadmill per una sessione di allenamento o lasciarlo in attività almeno per 5 minuti.

NOTA! Lubrificare il treadmill solo con il lubrificante in silicone T-Lube S. Per ulteriori informazioni sulla lubrificazione e la manutenzione o per ordinare ulteriori forniture di T-Lube, contattare il distributore Tunturi locale.

ALLINEAMENTO DEL NASTRO

Controllate la scorrevolezza del tappeto nel corso dell'esercizio ed eseguite le eventuali operazioni di regolazione. Il nastro deve scorrere nella parte centrale dell'attrezzo. Normalmente non c'è bisogno di eseguire alcun tipo di allineamento, se

- il treadmill si trova su una superficie uniforme e la tensione del nastro è corretta

- il nastro si trova in posizione centrale

Se necessario, l'allineamento del nastro è regolato dai due dadi posti sul retro dell'attrezzo.

1. Accendere l'attrezzo e regolare la velocità su 5 km/h.
2. Se il nastro scivola a sinistra girare di ¼ il dado a sinistra in senso orario e svitare di ¼ il dado a destra in senso antiorario. Non girare più di ¼ per volta. Se il nastro scivola a destra girare di ¼ il dado a destra in senso orario e svitare di ¼ il dado a sinistra in senso antiorario.
3. Se il nastro resta in centro, l'allineamento è corretto, altrimenti continuate ad effettuare piccole regolazioni come sopra finchè il nastro non rimanga in centro.

Se il nastro è lasciato per lunghi periodi toccare da una parte, si deteriora e deve essere cambiato. Questo non è coperto da garanzia perchè è dovuto ad una mancanza di manutenzione.

REGOLAZIONE DELLA TENSIONE DEL NASTRO

Il nastro deve essere teso se scivola sui rulli. In uso normale, comunque, mantenete il più lento possibile! Per regolare la tensione del nastro si agisce sugli stessi dadi che si regolano per l'allineamento.

1. Accendere l'attrezzo e regolare la velocità su 5 km/h.
2. Stringere entrambi i dadi in modo uguale (¼ in senso orario).
3. Camminando sul tappeto, e tenendosi ai corrimano, cercate di rallentarlo (come quando si cammina in discesa).

Se il nastro scivola, stringete ancora i dadi di ¼ e ripetete il test. Se frenate violentemente il tappeto può scivolare. Se, nonostante la regolazione, il tappeto si allenta continuamente, contatta il tuo fornitore.

DISTURBI DURANTE L'USO

ATTENZIONE! Nonostante un continuo controllo della qualità, l'attrezzatura potrebbe talvolta presentare difetti e malfunzionamenti, causati da qualche singolo componente. Nella maggior parte dei casi, non c'è bisogno di mettersi a far riparare tutta l'attrezzatura, ma generalmente basta sostituire il pezzo o la parte difettosa.

Se nel tuo treadmill compaiono delle funzioni che siano fuori dell'ordinario, gira l'interruttore di corrente in posizione OFF e aspetta per circa un minuto. Poi rimetti in funzione il tappeto ed assicurati che il fenomeno sia scomparso. Qualora non si presenti più il suddetto problema, l'attrezzo può essere usato come d'abitudine. Se però il problema non fosse scomparso, contatta il rivenditore.

Se l'attrezzo non funziona bene durante l'uso o se si ha bisogno dei pezzi di ricambio, contatta il tuo rivenditore Tunturi indicando de che cosa si tratta, le condizioni in cui la usi, la data di acquisto, il modello e il numero di serie del tuo attrezzo. Si raccomanda di utilizzare sempre pezzi di ricambio originali.

CODICI DISFUNZIONI

Il display fornisce le informazioni relative a malfunzionamenti da essa stessa rilevati.

SYSTEM CHECK FAILED - Eventuale problema nel controllo del motore. Disattivare l'alimentazione di corrente dell'attrezzo, spegnendo l'interruttore principale. Attendere un minuto e riaccendere l'attrezzo. Se il messaggio di errore non viene più visualizzato, allora potrete continuare ad utilizzare l'attrezzo regolarmente. Se invece il messaggio di errore venisse visualizzato ancora una volta, allora raccomandiamo di contattare il rivenditore.

SPEED SENSOR ERROR - Funzionamento anomalo del sensore di velocità. Raccomandiamo di contattare il rivenditore.

MOTOR SPEED ERROR - Funzionamento anomalo della regolazione di velocità del nastro. Assicurarsi di utilizzare correttamente l'attrezzo. Non spingere il nastro con i piedi. Disattivare l'alimentazione di corrente dell'attrezzo, spegnendo l'interruttore principale. Attendere un minuto e riaccendere l'attrezzo. Se il messaggio di errore non viene più visualizzato, allora potrete continuare ad utilizzare l'attrezzo regolarmente. Se invece il messaggio di errore venisse visualizzato ancora una volta, allora raccomandiamo di contattare il rivenditore.

MOTOR OVERLOAD - Sovraccarico del motore. Assicurarsi di utilizzare correttamente l'attrezzo. Non frenare il nastro. Disattivare l'alimentazione di corrente dell'attrezzo, spegnendo l'interruttore principale. Attendere un minuto e riaccendere l'attrezzo. Se il messaggio di errore non viene più visualizzato, allora potrete continuare ad utilizzare l'attrezzo regolarmente. Controllare la corretta lubrificazione del nastro e, se necessario, aggiungere dell'olio. Se invece il messaggio di errore venisse visualizzato ancora una volta, allora raccomandiamo di contattare il rivenditore.

LIFT MOTOR ERROR - Funzionamento anomalo del motore di sollevamento. Raccomandiamo di contattare il rivenditore.

LIFT MOTOR OVERLOAD - Sovraccarico del motore di sollevamento. Assicurarsi di utilizzare correttamente l'attrezzo. Non sovraccaricare il motore di sollevamento, variando continuamente l'inclinazione dell'attrezzo. Disattivare l'alimentazione di corrente dell'attrezzo, spegnendo l'interruttore principale. Attendere un minuto e riaccendere l'attrezzo. All'avviamento il treadmill esegue automaticamente la taratura del motore

di sollevamento. Se il messaggio di errore non viene più visualizzato, allora potrete continuare ad utilizzare l'attrezzo regolarmente. Se invece il messaggio di errore venisse visualizzato ancora una volta, allora raccomandiamo di contattare il rivenditore.

CODICI MANUTENZIONE

CHECK LUBRICATION. Controllare la corretta lubrificazione del nastro e, se necessario, aggiungere dell'olio. Per cancellare, premi sul tasto ENTER due volte.

SPOSTAMENTO ED

IMMAGAZZINAGGIO

Sposta il treadmill T90 come segue: spegni l'interruttore e scollega il cavo di alimentazione sia dalla presa di corrente che dal treadmill. Mettiti dietro all'attrezzatura ed afferra il profilato d'alluminio posteriore. Solleva la parte posteriore del treadmill in modo che poggi solo sulle rotelle. Sposta l'attrezzatura nel punto desiderato, utilizzando le apposite rotelle. Abbassa il treadmill delicatamente sul pavimento.

ATTENZIONE! Muovete l'attrezzo con estrema cautela su superfici non perfettamente piane, per esempio sulle soglie delle porte. Non trasportatelo con le sue ruote mai per le scale, dove invece essere trasportato. Posizionare l'attrezzo su una superficie la più piana possibile. Lo spostamento del treadmill può danneggiare alcuni tipi di pavimento, come per esempio il parquet. Raccomandiamo quindi di proteggere adeguatamente il pavimento. Può darsi che dopo uno spostamento si debba allienare nuovamente il nastro.

Per prevenire problemi, conservate l'attrezzo in luogo non umido e con minori variazioni di temperatura possibili, protetto dalla polvere. Staccate sempre la spina quando non in uso.

DATI TECNICI

Lunghezza	214 cm
Altezza	143 cm
Larghezza	91 cm
Peso	126 kg
Dimensioni nastro	52 x 158 cm
Velocità	0,3-18,0 km/h
Pendenza.....	0-12 %
Motore	3,5 HP

Tutti i modelli Tunturi sono stati progettati in conformità delle direttive dell'Unione Europea circa i congegni elettromagnetici, EMC (89/336/CEE) e materiale elettrico destinato all'uso nell'ambito di determinati limiti di tensione (73/23/CEE) e possono perciò portare affi sso il marchio di conformità CE. Il T90 è in conformità con gli standards EN per la precisione e la sicurezza (Classe SA, EN-957, parti 1 e 6).

A causa di una politica volta a un continuo sviluppo del prodotto, la Tunturi si riserva il diritto di effettuare cambiamenti nelle caratteristiche degli attrezzi, senza darne relativo preavviso.

ATTENZIONE! La garanzia non copre danni derivanti da inosservanza, nel montaggio, regolazione e manutenzione, delle istruzioni fornite nella presente guida. Le istruzioni per montaggio, uso e manutenzione della tua attrezzatura, devono essere seguite con molta cura. Non rispondiamo di cambi o modifiche non espressamente approvate da Tunturi Oy Ltd.

Ti auguriamo di avere la gioia di fare tanti allenamenti, insieme al tuo nuovo amico Tunturi!

INDICE

MONTAJE.....	65
(Prolongaciones de las barandillas)	100
ASPECTOS GENERALES DEL	
ENTRENAMIENTO	67
RITMO CARDÍACO	68
PANTALLAS	69
SELECCIÓN DEL EJERCICIO	70
MANTENIMIENTO	74
DEFECTOS DE FUNCIONAMIENTO	75
CÓDIGOS DE ERROR.....	76
TRASLADO Y ALMACENAJE	76
DATOS TÉCNICOS	76

INFORMACIÓN Y PRECAUCIONES

Esta guía es una parte esencial de su equipo de entrenamiento. Lea atentamente esta guía antes del montaje, uso o mantenimiento de su equipo de ejercicio. Mantenga esta guía en lugar seguro; le brindará hoy y en el futuro la información que necesite para usar y mantener su equipo. Siga siempre atentamente sus instrucciones.

- Esta máquina sólo se debe enchufar a un enchufe con toma de tierra. No enchufe nunca la máquina a una alargadera. El consumo máximo de la máquina es de 10 A. Los enchufes a los que se conecten otros aparatos o cuya corriente fluctúe en más de un 12 % pueden producir el funcionamiento errático de la máquina o afectar negativamente a su electrónica. El uso de una corriente eléctrica distinta a la especificada en este manual anula la garantía explícita o tácita de la máquina.
- Esta máquina está equipada con un cable con enchufe con toma de tierra. No cambie la clavija suministrada con la máquina. Si no la puede enchufar a su enchufe, pida a un electricista autorizado o a una persona familiarizada con el mantenimiento de aparatos electromecánicos que le instale uno adecuado, que cumpla además las normas en vigor.
- Antes de iniciar cualquier entrenamiento, consulte a un médico para revisar su estado de salud.
- Si siente náuseas, vértigo u otros síntomas anormales, deje el ejercicio inmediatamente y consulte a un médico.
- No intente hacer revisiones o ajustes no descritos en este manual. Siga al pie de la letra las instrucciones de servicio. Antes de hacer cualquier tarea de montaje o mantenimiento compruebe si la máquina está apagada y desenchufada.
- Esta máquina no se debe usar a la intemperie. El equipo tolera una temperatura ambiente de entre +10°C y + 35°C. La humedad relativa ambiente nunca debe exceder el 90 %.
- El equipo no puede ser usado por personas de más de 150 kg.
- Encontrará información más detallada sobre la garantía de su equipo de ejercicio en el libro

de garantía suministrado con el equipo. Por favor anótese que la garantía no cubre daños debidos a transportes o negligencias de ajuste o no seguir instrucciones de mantenimiento descritas en este manual.

BIENVENIDO AL MUNDO TUNTURI DEL EJERCICIO

Su elección demuestra que usted, realmente está dispuesto a invertir en su bienestar y en su condición física, y asimismo sabe apreciar la calidad y el estilo. Con el equipamiento de ejercicio Tunturi, Ud. ha elegido como compañero de entrenamiento un producto de alta calidad, seguro y motivador. Cualquiera que sea su meta, puede estar seguro de que este equipo le acompañará hasta cumplirla. Encontrará información sobre el uso de su equipo de ejercicio y todo lo inherente a un entrenamiento eficiente en el sitio de Tunturi en Internet (WWW.TUNTURI.COM).

MONTAJE

Compruebe si en los embalajes están todas las piezas:

EMBALAJE 1/3:

1. Superficie de carrera
2. Cable de alimentación

EMBALAJE 2/3:

3. Columnas delanteras
4. Manillar con monitor incorporado
5. Kit de montaje (piezas han marcado con * en la lista): se recomienda guardar las piezas de kit, por ejemplo, para eventuales reajustes del equipo.

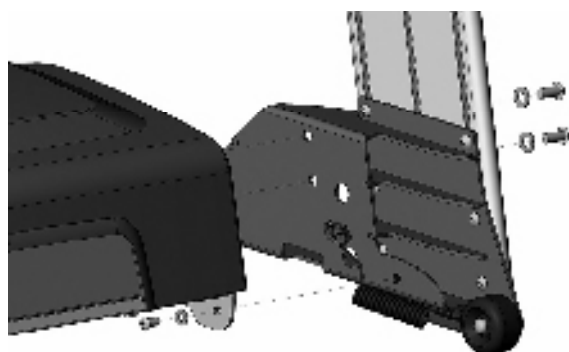
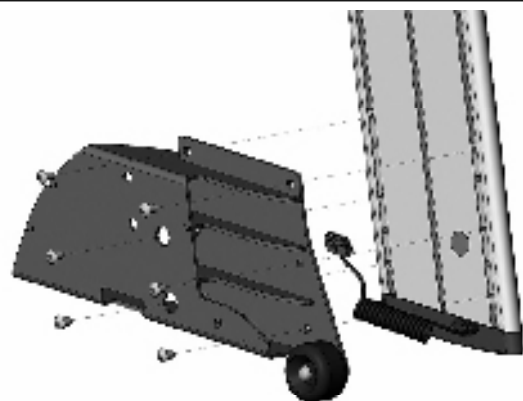
EMBALAJE 3/3

6. Prolongaciones de las barandillas (montaje: página 100)

Las direcciones derecha, izquierda, adelante y atrás se definen desde la posición de ejercicio. Si hubiera algún problema, póngase en contacto con su distribuidor Tunturi. El paquete incluye un saco de silicato para absorber la humedad durante el almacenamiento y transporte. Puede desecharlo una vez que haya abierto el paquete. Para la instalación son necesarias dos personas. El montaje se realiza de la siguiente manera:

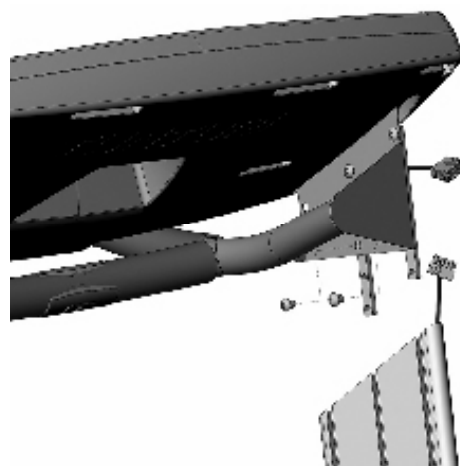
Abra los dos embalajes y retire todos los trozos protectores de poliestireno.

BARANDILLAS DELANTERAS



Sujete las piezas de montaje de las barandillas a los extremos inferiores de las barandillas mediante 6 tornillos de cabeza hexagonal (A) para cada pieza de montaje. Apriete los tornillos. **NOTA:** El manillar izquierdo y su pieza de montaje están marcados con un adhesivo redondo de color rojo. Sujete ambas barandillas a la superficie de carrera mediante 2 tornillos de cabeza hexagonal (B) y arandelas (C), un tornillo (D) y una arandela (E). Tenga cuidado de no dañar el cable que sale de la barandilla izquierda. **NOTA:** Apriete los tornillos después de haber colocado el manillar y el monitor en su sitio.

MANILLAR Y MONITOR



Gire hacia abajo las correderas con articulación que se encuentran a los lados del manillar, de forma que cada corredera se pueda fijar con los tornillos de sujeción (F) a través de los orificios de montaje inferiores del manillar. Al fijar las correderas con articulación en esta fase, déjelas lo más sueltas posibles. No saque los tornillos de las correderas con articulación. Apoye el manillar con monitor incorporado sobre las barandillas delanteras de modo que las correderas con articulación a los lados del manillar se introduzcan en las ranuras de las barandillas. Acople el cable del manillar izquierdo con el conector del monitor y, una vez conectado, introdúzcalo en la barra del manillar. A continuación, sujete el manillar con monitor a los extremos de las barandillas delanteras y apriete todos los tornillos de cabeza hueca hexagonal de las correderas.

Tenga cuidado de no dañar el cable del pulsómetro; asegúrese de que el cable discurre a lo largo de la ranura central de la barandilla. Apriete los tornillos de sujeción de las barandillas delanteras. Retire la película protectora de la pantalla.

Introduzca el cable procedente del manillar izquierdo en el conector situado debajo de la superficie de carrera, en el lado izquierdo. Se puede facilitar el montaje inclinando la cinta andadora un poco hacia el costado derecho.

LLAVE DE SEGURIDAD

Si se quita la llave de la cerradura que hay cerca de la pantalla, la máquina se parará inmediatamente. Meta la llave de seguridad amarilla en el conector de la interfaz. Sujete el clip del otro extremo del cordón de la llave a su camisa o sudadera. Asegúrese de que el clip de la llave de seguridad está bien sujeto a su ropa, comprobando si al tirar del cordón no se suelta el clip hasta que se desconecte la llave de seguridad de la interfaz de usuario.

CABLE DE ALIMENTACIÓN

Conecte la clavija pequeña del cable en el enchufe que lleva la máquina en la parte delantera. Antes de conectar el equipo a la fuente de electricidad, verifique que la tensión local coincida con la indicada.

en la placa de modelo. Encienda el equipo con el interruptor que se encuentra al lado del enchufe.

NOTA: Se debe conectar la T90 a un enchufe con toma de tierra. No use alambres de extensión al conectar el equipo a la corriente.

ASPECTOS GENERALES DEL

ENTRENAMIENTO

Antes de empezar a utilizar la cinta andadora motorizada deberá leer con cuidado las instrucciones referentes a las funciones y el control de la máquina.

El ejercicio con la cinta corredora es un excelente ejercicio aeróbico, siempre que se elija una resistencia no muy alta pero se mantenga durante bastante tiempo. El ejercicio aeróbico consiste en aumentar al máximo el suministro de oxígeno al cuerpo, lo que su vez mejora el estado físico y la resistencia. La capacidad del cuerpo para quemar grasas depende directamente de su capacidad de oxigenación.

El ejercicio aeróbico es ante todo agradable. El objetivo es llegar a sudar, pero sin que ritmo cardíaco suba de forma excesiva, y, así, poder alargar aún más el entrenamiento. Se recomienda realizar el ejercicio en tres sesiones semanales de entre 30 y 60 minutos cada una, dependiendo del objetivo y la condición física, así como de las posibilidades.

Si lo que desea es caminar, puede añadir al entrenamiento modificaciones y un nivel más exigente sólo con cambiar la inclinación de la superficie de carrera. El ejercicio de marcha se puede hacer más variado si al mismo tiempo se ejercitan los músculos de los brazos con unas pesas pequeñas. En este caso, deberá tomar en consideración su equilibrio y otros factores de seguridad.

Encontrará información sobre el uso de su equipo de ejercicios y todo lo inherente a un entrenamiento eficiente en el sitio de Tunturi en Internet (www.tunturi.com).

SOBRE EL ESPACIO DE EJERCICIO

- Coloque el equipo sobre una superficie firme y nivelada. Deje unos 100x200 cm de espacio detrás de la máquina y unos 100 a cada lado y delante. Asegúrese de que niños y animales domésticos se mantengan alejados mientras el equipo esté en uso.
- Es una buena idea colocar el equipo sobre una base protectora.
- Verifique que el sitio de ejercicio tenga una ventilación adecuada. Para evitar resfriados, no haga ejercicio en un sitio con corrientes de aire.

SOBRE EL USO DEL EQUIPO

- Cierre siempre el interruptor de alimentación después de su sesión de ejercicios.

- Los padres u otros responsables de menores deben notar que el espíritu de juego y la curiosidad natural de los niños pueden conducir a situaciones para las que el equipo no está diseñado. Si se les permite a los niños usar el equipo de ejercitación, deben ser supervisados y educados en el uso del mismo, considerando su desarrollo físico y mental y su personalidad.

- Sólo una persona por vez puede usar el equipo.
- Nunca deje desatendida la cinta mientras esté conectada a la fuente de alimentación.
- Mantenga las manos alejadas de las piezas móviles. No ponga nunca las manos, los pies u otros objetos bajo la máquina de caminar.
- Para hacer ejercicio lleve ropa y calzado adecuado. Atese bien los cordones de los zapatos. Para evitar heridas o un desgaste innecesario de la máquina, limpie bien la suela de sus zapatos de las piedras o gravilla que pudiera tener.
- Antes de comenzar a usar el equipo, asegúrese de que funciona correctamente en todo sentido. No use un equipo averiado.
- No use la máquina sin los protectores.

COMIENZO DE SESIÓN

- Si siente náuseas, vértigo u otros síntomas anormales, deje el ejercicio inmediatamente y consulte a un médico.
- Para evitar dolores y tensiones musculares, comience y finalice cada sesión con ejercicios de estiramiento.
- Cuando no ande, coloque los pies en los raíles izquierdo y derecho. No permanezca de pie sobre la cinta en movimiento.
- Empiece el ejercicio a un ritmo lento y vaya aumentando gradualmente la velocidad y/o inclinación de acuerdo con su forma física y sensación actual.
- Al subir o bajar de la máquina y al cambiar de velocidad durante el ejercicio, agárrese bien al manillar. No salte de la máquina mientras esté en movimiento.
- Mantenga derechos la espalda y el cuello para evitar entumecimientos y dolores en la nuca, los hombros y la espalda. Corra siempre lo más cerca posible del centro de la cinta y deje entre usted y el monitor una distancia que no estorbe su ejercicio, pero que le permita llegar hasta él con facilidad.
- Si durante el ejercicio se produjera algún fallo en el funcionamiento del aparato, deberá agarrarse del manillar y colocarse inmediatamente a horcajadas sobre los raíles laterales de la cinta. A continuación, apague la cinta y lea en las instrucciones de uso el apartado Averías.

AL FINAL DE SESIÓN

- No interrumpa el entrenamiento de repente, reduzca la velocidad gradualmente y no olvide realizar estiramientos después del ejercicio en la cinta.
- Desconecte la llave de seguridad de la interfaz.
- Apague la máquina con el interruptor.
- Desenchufar la máquina del conector y de la

corriente.

- Si fuera necesario, limpie la máquina con un paño húmedo. No use disolventes.
- Guarde el cordón donde no estorbe y fuera del alcance de los niños.

RITMO CARDÍACO

Sea cual sea su objetivo, obtendrá los mejores resultados entrenando a un nivel de esfuerzo adecuado, para lo cual el mejor indicador es su propio ritmo cardíaco.

MEDICION DEL PULSO A TRAVES DEL

MANILLAR

Los sensores del manillar en las barandillas toman la medición del pulso cuando el usuario de la T90 toca ambos sensores simultáneamente. Una medición fiable del pulso requiere que la piel esté constantemente en contacto con los sensores y que esté ligeramente húmeda. Una piel demasiado seca o demasiado húmeda puede interferir con la medición del pulso. Observe asimismo que, en caso de que durante el ejercicio las piernas golpeen fuertemente la cinta, pueden aparecer alteraciones que a su vez pueden comprometer la fiabilidad de la medición del pulso en la mano. A fin de garantizar la seguridad de uso, le recomendamos que realice la medición del pulso durante un ejercicio a velocidad de paseo o permaneciendo inmóvil bien de pie en los bordes de la superficie de carrera bien deteniendo la cinta.

¡IMPORTANTE! La confirmación de la medición del pulso dura 8 segundos al comienzo de la medición.

MEDICION TELEMÉTRICO

La medida del pulso es más fiable si se hace con un sensor telemétrico en el que los electrodos de un transmisor sujeto al pecho transmiten las pulsaciones del corazón al monitor creando un campo electromagnético.

¡IMPORTANTE! Si Usted tiene incorporado un marcapasos, consulte a su médico antes de utilizar un monitor inalámbrico del ritmo cardíaco.

Si quiere medir su pulso de este modo durante su ejercicio, moje las ranuras de los electrodos del transmisor con saliva o agua. Si quiere ponerse el transmisor y la correa encima de una camiseta ligera, moje un poco la camiseta en los puntos donde los electrodos tocan la piel. Colóquese el transmisor justo debajo del pecho, con la correa elástica suficientemente apretada para que los electrodos estén en contacto con su piel, pero no tan fuerte que no pueda respirar normalmente. El transmisor envía automáticamente la lectura de las pulsaciones al monitor hasta una distancia aproximada de 1 m.

Si la superficie de los electrodos no está mojada, no aparece en pantalla la medida del pulso. Si los electrodos se secan, hay que volver a mojarlos. Para

que la medida del pulso sea más exacta, espere a que los electrodos se calienten. Si hay varios medidores telemétricos del pulso cerca unos de otros, la distancia mínima debe ser de 1,5 m. Del mismo modo, si sólo se usa un receptor con varios transmisores, sólo debe haber en el radio de alcance del transmisor una persona. El transmisor sólo se activa cuando se usa para medir. Sin embargo, el sudor y otras humedades pueden hacer que se active y gaste pila. Por tanto, es importante secar bien los electrodos después de usarlo.

A la hora de elegir la ropa adecuada para realizar los ejercicios tenga en cuenta que algunas fibras textiles (por ejemplo el poliéster o la poliamida) producen electricidad estática, lo que puede impedir una correcta medición del pulso. Tenga en cuenta que el teléfono móvil, el televisor y otros aparatos eléctricos forman a su alrededor un campo electromagnético que puede producir errores en la medición del pulso.

Determine primero su ritmo cardíaco máximo, es decir, el ritmo que ya no aumenta al incrementarse el esfuerzo. Si Ud. no conoce su ritmo cardíaco máximo, use como guía la siguiente fórmula:

220 - EDAD

El máximo varía según las personas. El ritmo cardíaco máximo disminuye en promedio un punto por año. Si Ud. pertenece a alguno grupo de riesgo, solicite a un médico que le mida su ritmo cardíaco máximo. Hemos definido tres zonas diferentes de ritmo cardíaco para ayudarle en su entrenamiento dirigido.

PRINCIPIANTE: 50-60 % del ritmo cardíaco máximo

También recomendable para "vigilantes de peso", convalecientes y personas que no hayan hecho ejercicio físico durante largo tiempo. Se recomiendan tres sesiones semanales de por lo menos media hora cada una. El ejercicio regular mejora considerablemente las funciones respiratorias y circulatorias de los principiantes, quienes rápidamente sentirán el progreso.

ENTRENAMIENTO: 60-70 % del ritmo cardíaco máximo

Perfecto para una ejercitación de progreso y mantenimiento. Un esfuerzo regular y razonable desarrolla efectivamente el corazón y los pulmones entrenando un mínimo de 30 minutos al menos tres veces por semana. Para mejorar aún más su condición, aumente o la frecuencia o el esfuerzo, pero no ambos al mismo tiempo.

ENTRENAMIENTO ACTIVO: 70-80 % del ritmo cardíaco máximo

El ejercicio de este nivel es adecuado sólo para quienes están en óptimo estado, y presupone trabajos de alto rendimiento.

MONITOR

Teclas de función

START

El ejercicio elegido se pone en marcha.

CONTROL DE LA VELOCIDAD (LIEBRE / TORTUGA)

Aumenta la velocidad de la cinta en pasos de 0,1 km/h pulsando la tecla liebre o reduce la velocidad en pasos de 0,1 km/h pulsando la tecla tortuga. Si se pulsan más prolongadamente estas teclas, la velocidad cambia más rápidamente. La velocidad de la cinta trotadora varía entre 0,5-24 km/h.

CONTROL DE LA PENDIENTE

Pulsando la tecla "arriba" la cinta corredora aumenta la inclinación en intervalos de 0,5 % y pulsando la tecla "abajo" ésta disminuye en la misma proporción. Pulsando dichas teclas durante más tiempo aumenta el ritmo de la modificación introducida. El intervalo de la inclinación es de 0 a 12 %.

LAS TECLAS FLECHA

El nivel de dificultad durante los programas de ejercicio se modifica también pulsando dichas opciones. El nivel de pulso durante los programas de pulso se modifica también pulsando dichas opciones. Pulsando el botón "arriba" el nivel de dificultad aumenta en un 1 % y pulsando la tecla "abajo" éste disminuye en la misma proporción.

STOP / PAUSE / RESET

Pulsando una vez la tecla STOP, la cinta se para y pasa al estado de espera durante cinco minutos. Durante los cinco minutos, puede volver a iniciar el ejercicio interrumpido volviendo a pulsar la tecla START. Pulsando otra vez la tecla STOP, puede terminar el ejercicio.

SELECT

Antes de pulsar la tecla START puede seleccionar el modo de ejercicio pulsando la tecla SELECT. Durante el ejercicio puede seleccionar el perfil deseado pulsando la tecla SELECT.

ENTER

Confirme la selección (el modo de ejercicio o el programa de ejercicio y las opciones de usuario).

SET

Pulse la tecla SET para cambiar o controlar la configuración del usuario.

SPEED

Pulsando la tecla SPEED durante el ejercicio manual, se puede ajustar la velocidad a pasos rápidos. Presionando la tecla una vez la velocidad ascenderá a 5,4 km/h, al hacerlo dos veces a 7,2 km/h y tres veces a 9,6 km/h. Tras esto, a cada pulsación posterior de la tecla, la velocidad descenderá de la misma manera escalonada.

COOL DOWN

A pulsar la tecla COOL DOWN la cinta pasará al estado de espera durante un periodo de 5 minutos, transcurrido este tiempo se parará. En programas de ejercicios predeterminados, el estado de espera se iniciará automáticamente una vez que el usuario haya completado el perfil.

PROGRAMA T-WARE

Este equipo es compatible con T-Ware, programa de ordenador que revisa y monitoriza el fitness. Encontrará información sobre el T-Ware en el sitio de Tunturi en Internet (www.tunturi.com).

PANTALLAS**HEART RATE (PULSO)**

De 45 a 220 latidos por minuto. La luz de pulso parpadea siempre que el monitor reciba una señal de pulso.

KCAL (CONSUMO ESTIMADO DE ENERGÍA)

Consumo estimado de energía (0-9999 kcal) en escalones de 1 kcal.

ELEVATION (ÁNGULO DE INCLINACIÓN)

0-12 % en escalones de 0,5 %.

TIME (DURACIÓN)

Duración del ejercicio en minutos y segundos 00:00 - 99:59, y después, en horas y minutos h1:40-h9:59.

DISTANCE (DISTANCIA)

Distancia recorrida en kilómetros (0,00-99,99 km) en escalones de 0,01 km.

SPEED (VELOCIDAD)

La velocidad de la cinta, 0,5-24 km/h en escalones de 0,1 km/h. La señal luminosa indica la unidad seleccionada (km/h, mph, pace = minutos / kilómetro).

MONITOR GRÁFICO Y DE TEXTO

En el monitor, un monitor gráfico separado presenta información detallada acerca del perfil del ejercicio y, asimismo, el campo de texto muestra instrucciones tanto durante el ejercicio como al cambiar de tipo de entrenamiento.

CONFIGURACION DE LOS DATOS DEL**USUARIO**

1. Pulse la tecla SET.
2. Sistema métrico (Metric = sistema métrico, Imperial = unidades inglesas); pulsando las teclas flecha y confirmando el valor elegido con la ayuda de ENTER.
3. Introduzca su peso. Pulsando las teclas flecha y confirmando con la ayuda de la tecla ENTER. Dicha información es necesaria para estimar el consumo de energía del usuario.
4. Sexo (Male = Hombre, Female = Mujer); pulsando las teclas flecha y confirmando con la ayuda de la tecla ENTER. Dicha información es necesaria para estimar el consumo de energía del usuario.
5. Edad del usuario; pulsando las teclas flecha y

confirmando el valor introducido con la ayuda de la tecla ENTER. Dicha información es necesaria para estimar el consumo de energía del usuario.

6. Señal acústica (ON = activa, OFF = no activa); pulsando las teclas de flecha y confirmando el valor elegido con la ayuda de ENTER. En los ejercicios realizados siguiendo un perfil determinado el monitor anuncia con anticipación y mediante una señal acústica cualquier cambio en el perfil.

7. Introduzca las unidades que utiliza el monitor (km/h, min/km, millas/hora min/milla). Pulsando las teclas flecha y confirmando con la ayuda de la tecla ENTER. Dicha información es necesaria para estimar el consumo de energía del usuario. **NOTA:** Usted puede establecer las unidades durante el ejercicio: pulse la tecla SET, pulsando las teclas flecha y confirmando con la ayuda de la tecla ENTER.

8. Introduzca la velocidad máxima de la cinta para los ejercicios de control de ritmo cardíaco, ya que en este tipo de ejercicios la velocidad se establece a partir del ritmo cardíaco del usuario y, si no se fija un límite, puede verse aumentada sobremanera. La velocidad máxima por defecto es de 12 km/h. Confirme el valor introducido con la tecla ENTER a fin de proceder a la siguiente configuración.

9. En la ventana TOTAL TIME se puede ver el tiempo total de uso acumulado. Para seguir, pulse la tecla ENTER.

10. La ventana TOTAL DISTANCE muestra el total de kilómetros acumulados. Para salir pulse ENTER.

SELECCIÓN DEL EJERCICIO

Pulse la tecla SELECT hasta que la lámpara del ejercicio deseado se encienda. Puede elegir:

1. El ejercicio manual durante el cual el usuario elige tanto la velocidad como el ángulo de la inclinación
2. El ejercicio HRC de pulso durante el cual la cinta regula la velocidad / inclinación de tal modo que el usuario está realizando el ejercicio según el nivel de pulso elegido de antemano; los perfiles de pulso requieren siempre el uso del cinturón de pulso.
3. Prueba para medir la condición física: la cinta ofrece dos posibilidades de test: una prueba de marcha de 2 km y una prueba de carrera Cooper de 12 minutos.
4. El perfil predeterminado durante el cual la velocidad / ángulo o nivel de pulso se alteran de la manera predeterminada.

P1: EJERCICIO MANUAL

Puesta en marcha instantánea:

1. El ejercicio manual aparece como opción inicial de la cinta. Puede empezar el ejercicio pulsando la tecla START. La cinta se pone en marcha a la velocidad de 1,5 km por hora.

Puesta en marcha mediante configuración del usuario:

2. Pulse SELECT hasta que aparezca la luz indicadora al lado del texto MANUAL. Para aceptar pulse ENTER.

3. Pulse START y la cinta se pone en marcha a la velocidad de 1,5 km por hora. Puede regular la velocidad con la ayuda de las teclas LIEBRE / TORTUGA y SPEED. Puede regular la inclinación con la ayuda de las teclas "arriba" / "abajo".

4. En la pantalla de perfil se acumulan cada minuto los datos sobre la velocidad del ejercicio. Tras 20 minutos los datos de la pantalla empiezan a moverse hacia la izquierda de tal modo que en la misma aparecen los datos de velocidad durante los últimos 20 minutos. Al presionar la tecla SELECT durante el ejercicio aparecerán en el campo de texto el perfil de velocidad, inclinación, ritmo cardíaco y pista del ejercicio.

5. Pulsando la tecla STOP una vez la cinta para y se queda durante 5 minutos en estado de espera. Durante este tiempo puede continuar el ejercicio anterior pulsando la tecla START. Pulse dos veces la tecla STOP para finalizar el ejercicio. A continuación aparecerá en el campo de texto la información relativa al ejercicio realizado y el monitor pasará al estado inicial.

P2: EJERCICIOS DE RITMO CARDÍACO

CONSTANTE

Los ejercicios de ritmo cardíaco constante permiten ejecutar ejercicios a un nivel de ritmo cardíaco deseado. Los ejercicios de ritmo cardíaco constante requieren el uso del cinturón de seguridad. Si la medición de pulso no funciona, en el campo textual aparece una información de error CHECK TRANSMITTER. Asegúrese que haya respetado las instrucciones sobre el uso del cinturón.

1. Pulse SELECT hasta que aparezca la luz indicadora al lado del texto HRC. Para aceptar pulse ENTER.
2. Utilice las teclas de flecha para seleccionar un modelo de control de ritmo cardíaco:
 - A) Inclinación = El mantenimiento de un pulso constante se basa en las modificaciones de los ángulos de inclinación de la base de correr. De este modo, usted debe ajustar la velocidad con los teclas liebre y tortuga. En este modo de entrenamiento uno mismo controla la velocidad con la ayuda de función PSC o con las teclas liebre y tortuga.
 - B) Velocidad = La obtención de un pulso constante se basa en las modificaciones de las velocidades de la cinta. Si usted lo desea, usted puede cambiar la inclinación durante el entrenamiento.
 - C) Combinación = La obtención de un pulso constante se basa en que el aparato guía equitativamente el ángulo de inclinación de la base de correr al igual que la velocidad de la cinta.
3. Para aceptar pulse ENTER.
4. Instale el valor de ritmo cardíaco (80-180) deseado con las teclas de flecha. Para aceptar pulse ENTER.
5. Pulse la tecla START para comenzar el ejercicio.
6. Ud. puede ajustar el nivel de ritmo cardíaco durante el ejercicio con las teclas de flecha.
7. En la pantalla de perfil se acumulan cada minuto los datos sobre la velocidad del ejercicio. Tras 20 minutos los datos de la pantalla empiezan a moverse hacia la izquierda de tal modo que en la misma aparecen los datos de velocidad durante los

últimos 20 minutos. Al presionar la tecla SELECT durante el ejercicio aparecerá en el campo de texto el perfil de velocidad, inclinación, ritmo cardíaco y pista del ejercicio.

8. Pulsando la tecla STOP una vez la cinta para y se queda durante 5 minutos en estado de espera. Durante este tiempo puede continuar el ejercicio anterior pulsando la tecla START. Pulse dos veces la tecla STOP para finalizar el ejercicio. A continuación aparecerá en el campo de texto la información relativa al ejercicio realizado y el monitor pasará al estado inicial.

P3: PRUEBA PARA MEDIR LA CONDICIÓN

FÍSICA

La cinta andadora ofrece dos pruebas diferentes de condición física. La prueba de marcha de 2 km a ritmo rápido requiere un esfuerzo menor, en tanto que la prueba de carrera Cooper, que tiene una duración de 12 minutos, está más indicada para las personas que están en forma.

1. Pulse SELECT hasta que aparezca la luz indicadora al lado del texto TEST. Para aceptar pulse ENTER.
2. Pulse el botón SELECT para escoger la prueba de marcha de 2 km o la prueba de Cooper. Para aceptar pulse ENTER.

TEST DE CAMINATA DE LOS 2 KM

La prueba de marcha requiere el uso del pulsómetro. En la prueba de marcha, el nivel de forma física se calcula en base al ritmo cardíaco alcanzado durante el ejercicio y al tiempo utilizado en recorrer los 2 km. Previamente a la prueba se debe realizar un calentamiento de 3 minutos. También le recomendamos continuar caminando a baja velocidad después de la prueba para que su ritmo cardíaco retorne progresivamente a la situación normal. Basándose en los resultados, el monitor indica el consumo máximo de oxígeno.

INICIO DE LA PRUEBA DE MARCHA:

1. El campo de texto del monitor pregunta la altura del usuario (HEIGHT): fije la altura mediante los botones de flecha. Confirme su configuración mediante el botón ENTER.
2. El campo de texto del monitor pregunta el sexo del usuario (SEX): fije el sexo mediante los botones de flecha. Confirme su configuración mediante el botón ENTER.
3. El campo de texto del monitor pregunta el peso del usuario (WEIGHT): fije el peso mediante los botones de flecha. Confirme su configuración mediante el botón ENTER.
4. El campo de texto del monitor pregunta la edad del usuario (AGE): fije la edad mediante los botones de flecha. Confirme su configuración mediante el botón ENTER.
5. El campo de texto del monitor le anuncia que puede empezar el calentamiento (WARM UP) de 3 minutos. Empiece el calentamiento pulsando START.
6. La inclinación de la superficie de carrera se autoregula a un 1 %, lo cual supone en esta prueba

HOMBRES / CAPACIDAD MÁXIMA DE TOMA DE OXÍGENO (VO2MAX) 1 = MUY MALO - 7 = MUY BUENO							
EDAD	1	2	3	4	5	6	7
18-19	<33	33-38	39-44	45-51	52-57	58-63	>63
20-24	<32	32-37	38-43	44-50	51-56	57-62	>62
25-29	<31	31-35	36-42	43-48	49-53	54-59	>59
30-34	<29	29-34	35-40	41-45	46-51	52-56	>56
35-39	<28	28-32	33-38	39-43	44-48	49-54	>54
40-44	<26	26-31	32-35	36-41	42-46	47-51	>51
45-49	<25	25-29	30-34	35-39	40-43	44-48	>48
50-54	<24	24-27	28-32	33-36	37-41	42-46	>46
55-59	<22	22-26	27-30	31-34	35-39	40-43	>43
60-65	<21	21-24	25-28	29-32	33-36	37-40	>40
MUJERES / CAPACIDAD MÁXIMA DE TOMA DE OXÍGENO (VO2MAX) 1 = MUY MALO - 7 = MUY BUENO							
EDAD	1	2	3	4	5	6	7
18-19	<28	28-32	33-37	38-42	43-47	48-52	>52
20-24	<27	27-31	32-36	37-41	42-46	47-51	>51
25-29	<26	26-30	31-35	36-40	41-44	45-49	>49
30-34	<25	25-29	30-33	34-37	38-42	43-46	>46
35-39	<24	24-27	28-31	32-35	36-40	41-44	>44
40-44	<22	22-25	26-29	30-33	34-37	38-41	>41
45-49	<21	21-23	24-27	28-31	32-35	36-38	>38
50-54	<19	19-22	23-25	26-29	30-32	33-36	>36
55-59	<18	18-20	21-23	24-27	28-30	31-33	>33
60-65	<16	16-18	19-21	22-24	25-27	28-30	>30

la simulación de la resistencia del aire. Regule la velocidad con ayuda de los botones de flecha. Recomendamos una velocidad de calentamiento algo superior al ritmo medio de marcha.

7. Durante el calentamiento el reloj realiza una cuenta atrás de 3 minutos. Cuando en el reloj aparece 0:00, el monitor emite una señal acústica y la prueba de verdad empieza (TEST STARTED!).

REALIZACIÓN DE LA PRUEBA DE MARCHA:

1. El objetivo de la prueba es realizar lo más rápido posible un recorrido de 2 km. Usted mismo regula la velocidad con ayuda de los botones de flecha. ¡Recuerde que no se puede correr en esta prueba!
2. Si el pulsómetro no funciona, el campo de texto del monitor anuncia CHECK TRANSMITTER. Asegúrese que haya respetado las instrucciones sobre el uso del cinturón.
3. Una vez completado el recorrido de 2 km, el monitor emite una señal acústica. Un periodo de estado de espera de 5 minutos sigue automáticamente a la prueba, tras el cual la cinta se detendrá. En el campo de texto del monitor aparecerá el resultado de la prueba en forma de capacidad máxima de consumo de oxígeno y una estimación de su nivel de condición física.

PRUEBA DE COOPER

En la prueba de Cooper el nivel de forma física se calcula en base a una carrera de 12 minutos: cuanto

mayor sea la distancia que usted puede correr, mejor condición física tendrá usted. Previamente a la prueba se debe realizar un calentamiento de 3 minutos. También le recomendamos continuar caminando a baja velocidad después de la prueba para que su ritmo cardíaco retorne progresivamente a la situación normal. Basándose en los resultados, el monitor indica el consumo máximo de oxígeno.

INICIO DE LA PRUEBA DE COOPER:

1. El campo de texto del monitor le anuncia COOPER SELECTED. Para aceptar pulse ENTER.
2. El campo de texto del monitor pregunta el sexo del usuario (SEX): fije el sexo mediante los botones de flecha. Confirme su configuración mediante el botón ENTER.
3. El campo de texto del monitor pregunta la edad del usuario (AGE): fije la edad mediante los botones de flecha. Confirme su configuración mediante el botón ENTER.
4. El campo de texto del monitor le anuncia que puede empezar el calentamiento (WARM UP) de 3 minutos. Empiece el calentamiento pulsando START.
5. La inclinación de la superficie de carrera se autoregula a un 1 %, lo cual supone en esta prueba la simulación de la resistencia del aire. Regule la velocidad con ayuda de los botones de flecha. Recomendamos una velocidad de calentamiento algo superior al ritmo medio de marcha.
6. Durante el calentamiento el reloj realiza una cuenta atrás de 3 minutos. Cuando en el reloj aparece 0:00, el monitor emite una señal acústica y la prueba de verdad empieza (TEST STARTED!).

REALIZACIÓN DE LA PRUEBA DE COOPER:

1. El objetivo de la prueba es correr la mayor distancia posible en 12 minutos. En este modo de entrenamiento uno mismo controla la velocidad con la tecla SPEED o con las teclas liebre y tortuga. El campo de texto del monitor indica constantemente durante la prueba el tiempo consumido.
2. El campo de texto del monitor muestra una estimación de su resultado en la prueba basándose en la velocidad de marcha.
3. Una vez completado el recorrido de 2 km, el monitor emite una señal acústica. Un periodo de estado de espera de 5 minutos sigue automáticamente a la prueba, tras el cual la cinta se detendrá. En el campo de texto del monitor aparecerá el resultado de la prueba en forma de capacidad máxima de consumo de oxígeno y una estimación de su nivel de condición física.

P4-P16: PROGRAMAS DE EJERCICIO

PREDETERMINADOS

Para garantizar los ejercicios variados, agradables y exigentes, Tunturi ha desarrollado diferentes perfiles predeterminados. Las características de los mismos aparecen en la película del teclado del monitor. Durante el ejercicio se facilita, además, información detallada sobre el perfil elegido. El monitor indica los cambios de perfil con una señal acústica. La pantalla de perfil indica las características del perfil y

los datos del siguiente pilar de perfil.

P4 es un programa manual de ejercicio. El campo de texto del monitor muestra una pista de 400 m y calcula su tiempo en cada vuelta.

1. Pulse SELECT hasta que aparezca la luz indicadora del perfil deseado (P4).
2. Pulse START y la cinta se pone en marcha a la velocidad de 1,5 km por hora. Puede regular la velocidad con la ayuda de las teclas "Liebre" / "Tortuga" y con la tecla SPEED. Puede regular la inclinación con la ayuda de las teclas "arriba" / "abajo".
3. Al presionar la tecla SELECT durante el ejercicio aparecerán en el campo de texto el perfil de velocidad, inclinación y ritmo cardíaco.
4. Pulsando la tecla STOP una vez la cinta para y se queda durante 5 minutos en estado de espera. Durante este tiempo puede continuar el ejercicio anterior pulsando la tecla START. Pulse dos veces la tecla STOP para finalizar el ejercicio. A continuación aparecerá en el campo de texto la información relativa al ejercicio realizado y el monitor pasará al estado inicial.

P5 es un programa de 5 km, y **P6** es un programa de 10 km con un perfil de inclinación predeterminado y ajuste manual de velocidad. El perfil de inclinación es ajustable.

1. Pulse SELECT hasta que aparezca la luz indicadora del perfil deseado (P5-P6).
2. Pulse START y la cinta se pone en marcha. Puede regular la velocidad con la ayuda de las teclas LIEBRE / TORTUGA y con la tecla SPEED.
3. El perfil de inclinación puede ser ajustado haciendo uso de las teclas flecha.
4. Pulsando la tecla STOP una vez la cinta para y se queda durante 5 minutos en estado de espera. Durante este tiempo puede continuar el ejercicio anterior pulsando la tecla START. Pulse dos veces la tecla STOP para finalizar el ejercicio. A continuación aparecerá en el campo de texto la información relativa al ejercicio realizado y el monitor pasará al estado inicial.
5. Un periodo de estado de espera sigue automáticamente el ejercicio, tras el cual la cinta se detendrá.

P7 Y P8 son programas basados en el ritmo cardíaco. **P7** es un programa de 15 minutos de duración diseñado para el calentamiento previo al entrenamiento. **P8** es un programa de 30 minutos de duración diseñado para entrenamiento aeróbico básico. Los perfiles de ejercicios de ritmo cardíaco requieren el uso del cinturón de pulso. Si la medición de pulso no funciona, en la pantalla de texto aparece una indicación CHECK TRANSMITTER. Asegúrese de haber respetado las instrucciones sobre el uso del cinturón.

1. Pulse SELECT hasta que aparezca la luz indicadora del perfil deseado (P7-P8). Para aceptar pulse ENTER.
2. Utilice las teclas de flecha para seleccionar un

modelo de control de ritmo cardíaco.

3. Pulse START y la cinta se pone en marcha. Ud. puede ajustar el nivel de ritmo cardíaco durante el ejercicio con las teclas de flecha.

4. Pulsando la tecla STOP una vez la cinta para y se queda durante 5 minutos en estado de espera. Durante este tiempo puede continuar el ejercicio anterior pulsando la tecla START. Pulse dos veces la tecla STOP para finalizar el ejercicio. A continuación aparecerá en el campo de texto la información relativa al ejercicio realizado y el monitor pasará al estado inicial.

5. Un periodo de estado de espera sigue automáticamente el ejercicio, tras el cual la cinta se detendrá.

Los programas **P9-P11** ofrecen diferentes niveles de exigencia y presentan valores prefijados de velocidad e inclinación. Podrá cambiar el grado de velocidad hasta el nivel que usted desee, así como prefijar la duración del ejercicio en forma de tiempo o distancia.

1. Pulse SELECT hasta que aparezca la luz indicadora del programa deseado (P9-P11). Para aceptar pulse ENTER.

2. Introduzca la distancia y el tiempo del perfil. Utilice la tecla SELECT para desplazarse de un valor prefijado a otro. Puede cambiarlo pulsando las teclas flecha (valores máximos de 10 minutos (10:00) a 3 horas (h3:00); las modificaciones se producen en intervalos de 5 minutos / 3 km – 42 km, modificaciones en intervalos de 1 km); las modificaciones se producen en intervalos de 1 km).

3. Pulse START; el ejercicio empieza y la cinta se pone en marcha. Puede alterar la velocidad de perfil con la ayuda de las teclas flecha en progresión de un 1 %. Si pulsa la tecla SELECT durante el ejercicio, el campo de texto le mostrará el perfil de velocidad y inclinación.

4. Pulsando la tecla STOP una vez la cinta para y se queda durante 5 minutos en estado de espera. Durante este tiempo puede continuar el ejercicio anterior pulsando la tecla START. Pulse dos veces la tecla STOP para finalizar el ejercicio. A continuación aparecerá en el campo de texto la información relativa al ejercicio realizado y el monitor pasará al estado inicial.

5. Un periodo de estado de espera sigue automáticamente el ejercicio, tras el cual la cinta se detendrá.

El programa **P12** es un ejercicio con intervalos durante el cual podrá introducir la distancia o duración de una sesión flexible y en el que usted mismo podrá determinar la velocidad de la cinta.

1. Pulse SELECT hasta que aparezca la luz indicadora del programa deseado (P12). Para aceptar pulse ENTER.

2. Introduzca la distancia y el tiempo del perfil. Utilice la tecla SELECT para desplazarse de un valor prefijado a otro. Puede cambiarlo pulsando las teclas flecha (valores máximos de 10 minutos (10:00) a 3 horas (h3:00); las modificaciones se

producen en intervalos de 5 minutos / 3 km – 42 km, modificaciones en intervalos de 1 km); las modificaciones se producen en intervalos de 1 km).

3. Pulse START; el ejercicio empieza y la cinta se pone en marcha. Puede alterar la velocidad de perfil con la ayuda de las teclas de control de la velocidad y la tecla SPEED.

4. El perfil de inclinación puede ser ajustado haciendo uso de las teclas flecha.

5. Pulsando la tecla STOP una vez la cinta para y se queda durante 5 minutos en estado de espera. Durante este tiempo puede continuar el ejercicio anterior pulsando la tecla START. Pulse dos veces la tecla STOP para finalizar el ejercicio. A continuación aparecerá en el campo de texto la información relativa al ejercicio realizado y el monitor pasará al estado inicial.

6. Un periodo de estado de espera sigue automáticamente el ejercicio, tras el cual la cinta se detendrá.

Los programas HRC (P13-P16) son perfiles de pulso de dificultad variable, en los cuales el usuario puede elegir la duración del ejercicio. Los perfiles de ejercicios de ritmo cardíaco requieren el uso del cinturón de pulso. Si la medición de pulso no funciona, en la pantalla de texto aparece una indicación CHECK TRANSMITTER. Asegúrese de haber respetado las instrucciones sobre el uso del cinturón.

1. Pulse SELECT hasta que aparezca la luz indicadora del perfil deseado (P13-P16). Para aceptar pulse ENTER.

2. Utilice las teclas de flecha para seleccionar un modelo de control de ritmo cardíaco. Para aceptar pulse ENTER.

3. Introduzca la distancia y el tiempo del perfil. Utilice la tecla SELECT para desplazarse de un valor prefijado a otro. Puede cambiarlo pulsando las teclas flecha (valores máximos de 10 minutos (10:00) a 3 horas (h3:00); las modificaciones se producen en intervalos de 5 minutos / 3 km – 42 km, modificaciones en intervalos de 1 km); las modificaciones se producen en intervalos de 1 km). Pulse ENTER para confirmar.

4. Pulse START; el ejercicio empieza y la cinta se pone en marcha. Ud. puede ajustar el nivel de ritmo cardíaco durante el ejercicio con las teclas de flecha.

5. Pulsando las teclas de control de la velocidad Ud. puede ajustar la velocidad máxima de la cinta.

6. Pulsando la tecla STOP una vez la cinta para y se queda durante 5 minutos en estado de espera. Durante este tiempo puede continuar el ejercicio anterior pulsando la tecla START. Pulse dos veces la tecla STOP para finalizar el ejercicio. A continuación aparecerá en el campo de texto la información relativa al ejercicio realizado y el monitor pasará al estado inicial.

7. Un periodo de estado de espera sigue automáticamente el ejercicio, tras el cual la cinta se detendrá.

PERFILES DE PROGRAMAS (las figuras aparecen en el desplegable al final de este manual)

P4 (Track) es un programa manual de ejercicio. El campo de texto muestra una pista de 400 m y calcula su tiempo para cada vuelta. Es un programa idóneo para entrenamiento activo y le permite competir con su propio perfil de ejercicio previamente guardado en la memoria. Usted puede ajustar la inclinación de la superficie de carrera para estimular la resistencia del aire.

P5 (5K Course) es un programa de 5 km con un perfil de inclinación prefijado y ajuste manual de velocidad. El perfil de inclinación es ajustable. Es un programa adecuado para corredores y personas que entrenan activamente: dado que presenta una popular distancia de competición, el programa de 5 km resulta muy útil para realizar un seguimiento del avance de su entrenamiento. El valor medio de inclinación prefijado es del 1,1% y el nivel máximo de inclinación es del 3%.

P6 (10K Course) es un programa de 10 km con un perfil de inclinación predeterminado y ajuste manual de velocidad. El perfil de inclinación es ajustable. Es un programa adecuado para corredores y personas que entrenan activamente: dado que presenta una popular distancia de competición, el programa de 10 km resulta muy útil para realizar un seguimiento del avance de su entrenamiento. El valor medio de inclinación prefijado es del 0,875% y el nivel máximo de inclinación es del 3%.

P7 (15 Min Warm Up) es un programa basado en el ritmo cardíaco. Este programa de 15 minutos de duración está diseñado para el precalentamiento previo al entrenamiento. Los valores preestablecidos incluyen un ritmo cardíaco medio de 113 pulsaciones y un ritmo máximo de 122 pulsaciones por minuto.

P8 (30 Min Health) es un programa basado en el ritmo cardíaco. Este programa de 30 minutos de duración está diseñado para entrenamiento aeróbico básico. Los valores predeterminados incluyen un ritmo cardíaco medio de 117 pulsaciones y un ritmo máximo de 126 pulsaciones por minuto.

P9 (Hill Walk). Este perfil se basa en cambios regulares de pendiente y en un ritmo de marcha enérgico y constante; es apropiado para principiantes y aficionados a la marcha. Los valores preestablecidos incluyen una velocidad media de 5,2 km/h, una velocidad máxima de 5,8 km/h y una inclinación media del 2,7 %.

P10 (Hill Jog). Este perfil se basa en cambios variables de pendiente y en un ritmo de trote ligero y constante; es apropiado para principiantes y para el mantenimiento de la forma física. Los valores preestablecidos incluyen una velocidad media de 6,9 km/h, una velocidad máxima de 7,2 km/h y una inclinación media del 1,9 %.

P11 (Hill Run). Este perfil se basa en una pendiente reducida y constante y en un ritmo de carrera

enérgico y de cambios regulares; es apropiado para los aficionados a la carrera. Los valores preestablecidos incluyen una velocidad media de 11,6 km/h, una velocidad máxima de 12,5 km/h y una inclinación media del 1,8 %.

P12 (Rolling Hills). Perfil de recorrido: se puede introducir la distancia del perfil en kilómetros. Este perfil está pensado especialmente para el entrenamiento profesional, pero también puede aportar variedad a los ejercicios de mantenimiento. La distancia máxima del recorrido es de 42 km, la distancia prefijada, de 3 km, y la regulación es posible a intervalos de 1 km. Los valores prefijados de inclinación permiten un entrenamiento con pendiente a intervalos, la inclinación media es del 2,4 %.

P13 (Fatburner 1). Perfil de ritmo cardíaco de poca intensidad basado en el aumento y la disminución constantes del nivel de ritmo cardíaco; es apropiado para controlar el peso. Los valores preestablecidos incluyen un ritmo cardíaco medio de 114 y un ritmo máximo de 125.

P14 (Fatburner 2). Perfil de ritmo cardíaco de intensidad media basado en el aumento y la disminución a intervalos del nivel de ritmo cardíaco; apropiado para el ejercicio de mantenimiento y el control de peso. Los valores preestablecidos incluyen un ritmo cardíaco medio de 122 y un ritmo máximo de 136.

P15 (Cardio). Perfil de ritmo cardíaco de intensidad media basado en el aumento y la disminución constantes del nivel de ritmo cardíaco, en el que el pulso permanece sobre los 130-140 durante casi todo el entrenamiento; excelente para el ejercicio de mantenimiento. Los valores preestablecidos incluyen un ritmo cardíaco medio de 129 y un ritmo máximo de 145.

P16 (Fit). Perfil de ritmo cardíaco de alta intensidad basado en el aumento y la disminución constantes del nivel de ritmo cardíaco, en el que el pulso permanece sobre los 135-145 durante casi todo el entrenamiento. Indicado para el ejercicio de mantenimiento de personas en buena forma y para desarrollar la condición física. Los valores preestablecidos incluyen un ritmo cardíaco medio de 133 y un ritmo máximo de 150.

MANTENIMIENTO

Para continuar usando el aparato de forma segura es necesario realizar revisiones regulares, así como inspecciones de cualquier posible desencadenante de averías (por ejemplo, el desgaste de las piezas). Compruebe una vez al año que los tornillos de sujeción y las roscas interiores están bien apretados. En el supuesto de que alguna pieza del aparato sufriera daños, ésta debería cambiarse inmediatamente. El aparato no deberá utilizarse si no se encuentra en perfecto estado de funcionamiento.

LIMPIEZA Y LUBRICACION

LA FALTA DE LUBRICACIÓN DE LA CINTA PARA CORRER PUEDE ANULAR LA GARANTÍA DEL PRODUCTO

Quite el polvo de las superficies de la máquina, sobre todo de los manillares y del contador, con un paño o toalla húmedos. No use disolventes. Limpie con una aspiradora de boquilla fina todos los componentes de la máquina (cinta, base de la cinta, raíles laterales, etc.). Mantenga también limpia la zona alrededor de la cinta. Al utilizar la misma se acumula polvo que puede causar errores en el funcionamiento.

Si realiza un uso doméstico medio de un máximo de 60 minutos al día, debe comprobar la lubricación de su cinta para correr una vez al mes; aunque sólo tiene que lubricarla si lo necesita. Si el uso es mayor, tendrá que comprobar la lubricación más a menudo. Realice esta operación antes de comenzar una sesión de entrenamiento. Compruebe la lubricación de la siguiente manera:

1. Asegúrese de que la cinta para correr está apagada. Súbase a la máquina y colóquese en el lugar de la cinta donde corre normalmente.
2. Agarre el manillar horizontal e impulse la cinta con los pies para que se desplace hacia delante y atrás. La cinta debería deslizarse con suavidad y, normalmente, sin hacer ruido.
3. Si nota alguna vibración o si la cinta no se desliza, compruebe la lubricación pasando la mano por debajo de la cinta.

Proceda a lubricar de la siguiente manera:

1. Ajuste la boquilla del tubo de lubricación en el envase de T-Lube S.
2. Ajuste la plataforma de la máquina a la elevación máxima.
3. Coloque la boquilla entre la cinta y la placa. Intente acercar el pulverizador lo más al centro posible de la plataforma de la máquina.
4. Pulverice el lubricante durante 2-3 segundos.
5. Coloque la plataforma de la máquina en su posición normal. Utilice la cinta para correr y realice una sesión de entrenamiento. O bien, deje que la cinta gire sola durante al menos 5 minutos.

NOTA: Lubrique la cinta para correr únicamente con el lubricante de silicona T-Lube S. Contacte con su distribuidor local Tunturi para adquirir unidades de T-Lube, o para obtener más información sobre la lubricación y el mantenimiento.

AJUSTE DE LA CINTA RODANTE

Observe el movimiento de la cinta durante el ejercicio y lleve a cabo los siguientes ajustes siempre de inmediato al darse cuenta de la necesidad de hacerlo. La cinta debe rodar por el centro del armazón. Generalmente no tendrá que alinearla,

siempre que:

- la máquina esté situada sobre una superficie horizontal y bien lisa y la cinta esté bien tensa;
- la cinta esté bien alineada.

Sin embargo se puede desplazar a un lado según sea el estilo de correr del usuario (p. ej., que cargue más peso sobre una pierna). La alineación de la cinta se hace girando los dos pernos que hay detrás de la máquina.

1. Encienda la máquina y aumente la velocidad de la cinta hasta 5 km/h.
2. Si la cinta se desplaza hacia la izquierda, gire el perno de ajuste de la izquierda $\frac{1}{4}$ de vuelta en el sentido de las agujas del reloj y el perno de la derecha $\frac{1}{4}$ de vuelta en sentido contrario. No apriete más de $\frac{1}{4}$ de vuelta cada vez, pues basta con un giro muy pequeño. Si la cinta se desplaza hacia la derecha, gire el perno de ajuste de la derecha $\frac{1}{4}$ de vuelta en el sentido de las agujas del reloj y el perno de la izquierda $\frac{1}{4}$ de vuelta en sentido contrario.
3. Si ve que la cinta gira centrada, ya está hecho el ajuste. Si no, siga con el anterior procedimiento hasta que quede centrada.

Si deja la cinta desplazada hacia un lado mucho tiempo, los bordes se rozarán y no girarán correctamente. La garantía no cubre los daños causados en la cinta por falta de los ajustes necesarios.

AJUSTE DE LA TENSION DE LA CINTA

Si la cinta patina sobre los rodillos, hay que tensarla. Sin embargo, durante el uso normal tiene que estar lo menos tensa posible. La tensión de la cinta se ajusta girando los mismos pernos utilizados para alinearla.

1. Poner en marcha la cinta a 5 km/h.
2. Gire los dos tornillos de ajuste en el sentido de las agujas del reloj aproximadamente $\frac{1}{4}$ de vuelta cada uno.
3. Trate de frenar la cinta poniéndose encima, sujetándose al manillar con las dos manos y parándola con los pies (como si estuviera bajando una cuesta).

Si la cinta resbala, gire otra vez los pernos $\frac{1}{4}$ de vuelta y repita el procedimiento. Si intenta frenar muy fuerte, la cinta resbalará. Si la cinta sigue resbalando a pesar de los ajustes, contacte con el distribuidor del equipo.

DEFECTOS DE FUNCIONAMIENTO

Pese al continuo control de calidad que realizamos, el equipo puede presentar defectos o malfuncionamientos debidos a fallos en componentes individuales. En la mayoría de los casos no es necesario llevar todo el equipo a reparar, y generalmente es suficiente con reemplazar la parte defectuosa. En el reverso de esta guía encontrará la lista de piezas. Utilice sólo piezas

de repuesto mencionadas en la lista de piezas de repuesto.

Si el equipo no funciona correctamente durante su uso, tome contacto inmediatamente con su proveedor Tunturi, informando el modelo y el número de serie del equipo.

En el caso que se produzcan funciones anormales en el equipo coloque el interruptor en la posición O y espere aproximadamente un minuto. Vuelva a poner en marcha la cinta para comprobar que el aparato ya funciona adecuadamente. En este caso puede seguir utilizando el equipo. Si el problema persiste, póngase en contacto con el distribuidor del equipo.

CÓDIGOS DE ERROR

La interfaz informa de los fallos detectados indicándolos en la pantalla.

SYSTEM CHECK FAILED - Posible avería del mecanismo de accionamiento por motor. Apague la cinta andadora mediante el interruptor maestro, espere un minuto y vuelva a encenderla. Si el mensaje de error ha desaparecido, podrá utilizar el aparato con normalidad. En el caso de que el mensaje de error no hubiera desaparecido, debería ponerse en contacto con el vendedor del producto.

SPEED SENSOR ERROR - Avería en el sensor de velocidad. Debería ponerse en contacto con el vendedor del producto.

MOTOR SPEED ERROR - Defecto de funcionamiento en el dispositivo regulador de velocidad de la cinta. Asegúrese de que está utilizando el aparato correctamente: no arrastre las piernas sobre la cinta. Apague la cinta andadora mediante el interruptor maestro, espere un minuto y vuelva a encenderla. Si el mensaje de error ha desaparecido, podrá utilizar el aparato con normalidad. En el caso de que el mensaje de error no hubiera desaparecido, debería ponerse en contacto con el vendedor del producto.

MOTOR OVERLOAD - Sobrecarga del motor. Asegúrese de que está utilizando el aparato correctamente: no frene la cinta. Apague la cinta andadora mediante el interruptor maestro, espere un minuto y vuelva a encenderla. Si el mensaje de error ha desaparecido, podrá utilizar el aparato con normalidad. Asegúrese de que la cinta está suficientemente lubricada; si fuera necesario, proceda a lubricar el aparato. En el caso de que el mensaje de error no hubiera desaparecido, debería ponerse en contacto con el vendedor del producto.

LIFT MOTOR ERROR - Avería en el motor de sustentación. Debería ponerse en contacto con el vendedor del producto.

LIFT MOTOR OVERLOAD - Sobrecarga del motor de sustentación. Asegúrese de que está utilizando el aparato correctamente: no sobrecargue el motor de sustentación con variaciones continuadas en la regulación de la pediente. Apague la cinta andadora

mediante el interruptor maestro, espere un minuto y vuelva a encenderla. El motor de sustentación se calibra automáticamente al encender el interruptor de funcionamiento. Si el mensaje de error ha desaparecido, podrá utilizar el aparato con normalidad. En el caso de que el mensaje de error no hubiera desaparecido, debería ponerse en contacto con el vendedor del producto.

CÓDIGO DEL MANTENIMIENTO

CHECK LUBRICATION. Asegúrese de que la cinta está suficientemente lubricada; si fuera necesario, proceda a lubricar el aparato. Para borrar el código, pulse la tecla ENTER dos veces.

TRASLADO Y ALMACENAJE

Traslade la cinta T90 siguiendo estas instrucciones: Desconecte el interruptor y desenchufe el cable de alimentación de la cinta andadora y de la alimentación de corriente. Colóquese detrás de la máquina y agarre el perfil de aluminio que se encuentra en el extremo posterior de ésta. Levante el extremo posterior del aparato de forma que se sostenga sobre las ruedas de transporte. Traslade el aparato empujándolo sobre las ruedas de transporte. Deposite la superficie de carrera sobre el suelo con cuidado.

NOTA: Para transportar la máquina a través de superficies irregulares o escaleras, extreme la precaución: la máquina debe ser transportada en vilo (no usar las ruedas). Es una buena idea colocar la máquina sobre una base protectora. Al desplazar el aparato se pueden producir daños en algunos suelos, por ejemplo, en el parquet. Por esta razón el suelo deberá protegerse. Después de mover la máquina puede que tenga que alinear y centrar la cinta.

Para mantener la máquina en perfecto estado de funcionamiento guárdela en un lugar seco donde la temperatura no varíe mucho. Protéjala del polvo. Mantenga la máquina siempre desenchufada de la corriente cuando no la use.

DATOS TÉCNICOS

Longitud	214 cm
Altura	143 cm
Anchura	91 cm
Peso	126 kg
La cinta rodante	52 x 158 cm
Velocidad	0,3-18,0 km/h
Grados de inclinación	0-12 %
Motor	3,5 HP

Todos los modelos Tunturi cumplen la directiva de la UE sobre compatibilidad electromagnética, EMC (89/336/ EEC) y equipo eléctrico diseñado para su uso dentro de ciertos límites de tensión (72/23/EEC).

Por lo tanto, este producto viene provisto con la etiqueta CE. La Tunturi T90 cumple con las normas CEN de precisión y seguridad (Class SA, EN-957, 1+6).

Debido a nuestro continuo programa de desarrollo del producto, nos reservamos el derecho a cambiar sus especificaciones sin previo aviso.

NOTA: La garantía no cubre daños debidos a negligencias en los procedimientos de montaje, ajuste y mantenimiento descritos en esta guía. Deben seguirse estrictamente estas instrucciones en el montaje, uso y mantenimiento de su equipo. Los usuarios no están autorizados a realizar cambios o modificaciones que no hayan sido expresamente aprobados por Tunturi Oy Ltd.

Le deseamos muchas agradables sesiones de entrenamiento con su nuevo compañero de ejercicio Tunturi.

INNEHÅLL

MONTERING.....	78
(Längre handstöd).....	100
ALLMÄNT OM TRÄNING.....	79
PULS.....	80
MÄTARE.....	81
VAL AV TRÄNING.....	82
SERVICE.....	86
STÖRNINGAR VID ANVÄNDNING.....	87
KODER FÖR FEL.....	87
TRANSPORT OCH FÖRVARING.....	88
TEKNISKA DATA.....	88

ANMÄRKNINGAR OCH VARNINGAR

Denna handbok är en väsentlig del av ditt träningsredskap. Börja bekanta dig med redskapet genom att först läsa igenom den här handboken. Den innehåller den information du behöver för att kunna montera, använda och underhålla ditt nya redskap. Spara denna handbok, för du kan behöva instruktionerna senare. Följ alltid dessa instruktioner noggrant.

- Löpbandet får endast anslutas till jordat uttag. Använd inga skarvsladdar när löpbandet ansluts till nätet. Den maximala strömförbrukningen är 10 A. Variationer i nätspänningen på mer än 12 % kan leda till felfunktioner och skada elektroniken. Garantin upphör att gälla om redskapet ansluts i strid med instruktionerna i denna bruksanvisning.
- Redskapets nätkabel är försedd med jordad kontakt och stickdosa. Eventuella ändringar får endast utföras av person, som har kvalifikation att serva elmekaniska redskap enligt de bestämmelser som gäller i respektive land.
- Konsultera din läkare för att kolla upp din hälsa innan du börjar träna.
- Utför endast de service- och justeringsåtgärder, som nämns i denna bruksanvisning. Givna anvisningar bör följas. Försäkra dig alltid om att stickproppen är urdragen innan du börjar montera eller göra underhåll på redskapet.
- Redskapet får inte användas utomhus. Redskapet tål vid träning en omgivning från +10°C till +35°C. Luftfuktigheten får aldrig överskrida 90 %.
- Redskapet får inte användas av personer som väger mer än 150 kg.
- Utförligare information om träningsredskapets garanti hittar du i den bifogade garantiboken. Observera att garantin inte täcker skador uppkomna genom försumlighet av inställningen och justeringar eller underlåtenhet att följa givna anvisningarna.

VÄLKOMMEN TILL TUNTURIS TRÄNINGSVÄRLD!

Ditt val visar att du verkligen vill investera i din kondition och ditt välbefinnande; det visar också

att du verkligen värdesätter hög kvalitet och stil. Med ett träningsredskap från Tunturi har du valt en säker och motiverande produkt av hög kvalitet till träningspartner. Oberoende av vilken målsättning du har, är vi säkra på att det här är den rätta utrustningen för att du skall nå ditt mål. Du kan hitta information om hur du ska använda ditt träningsredskap och hur man tränar effektivt på Tunturis webbplats på adressen WWW.TUNTURI.COM.

MONTERING

Börja med att packa upp och kolla att du har följande delar:

FÖRPACKNING 1/3:

1. Löpunderlag
2. Elsladd

FÖRPACKNING 2/3:

3. Stolpar
4. Mätare med handtag
5. Monteringstillbehör (innehållet med * i reservdelstilan): spara tillbehören, för du kan behöva dem bl.a. till att göra inställningar på redskapet.

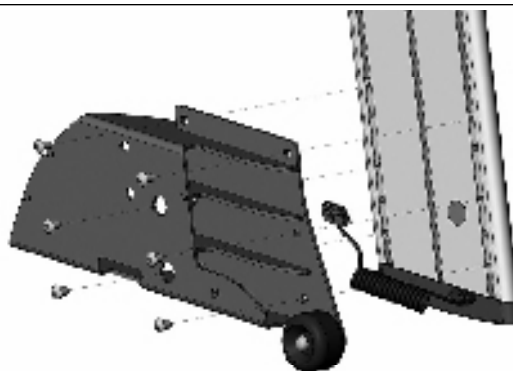
FÖRPACKNING 3/3

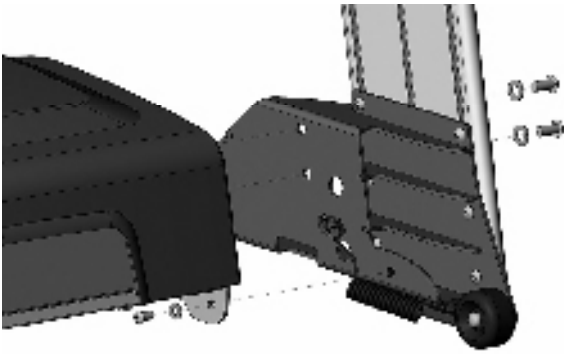
6. Längre handstöd (montering: sida 100)

Riktningarna vänster, höger, fram och bak används så som man uppfattar dem när man sitter i träningsställning. Vid problem, kontakta försäljaren. I förpackningen finns det även en silikatpåse som absorberar fukt under lagring och transport. Släng påsen när du packat upp redskapet. För montering behövs två personer. Montera ihop ditt träningsredskap enligt följande:

Öppna båda förpackningarna och ta bort alla frigolitbitar samt brädorna från löpunderlagets sidor.

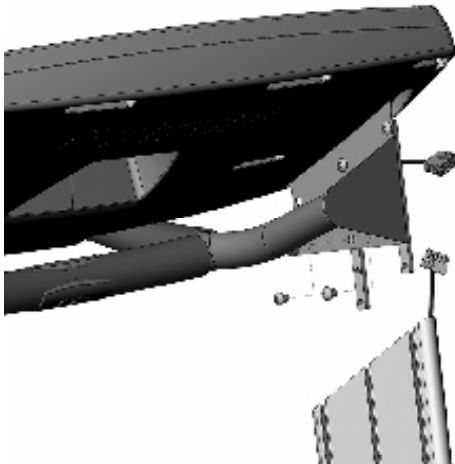
STOLPAR





Sätt fast de främre handstödens fäststycken i nederkant på handstöden. Bägge fäststyckena sätts fast med 6 st sexkantsskruvar (A). Dra åt skruvarna ordentligt. **OBS!** Vänstra stolpen och fäststycken är markerade med en rund röd dekal. Fäst de bägge handstöden på löpytan med 2 sexkantsskruvar (B) och brickor (C) samt en sexkantsskruv (D) och en bricka (E). Var försiktig, så att kabeln i den vänstra stolpen inte kommer till skada. **VIKTIGT!** Dra åt skruvarna ordentligt först när du satt handtag och display på plats.

HANDTAG OCH DISPLAY



Vänd glidstyckena i handtagens sidor nedåt, så att du kan fästa glidstyckena med skruvarna (F) genom de nedre hålen. Fäst glidstyckena så löst som möjligt i detta skede. Lossa inte glidstyckenas skruvar. Montera fast handtag-displayenheten, så att handtagens glidstycken ligger på plats i skårorna på framstolparna. Koppla ihop det vänstra handtagets kabel med displayen och skjut sedan in kabeln i handtaget. Tryck sedan fast handtag-displayenheten i ändarna av framstolparna och dra åt alla insexskruvarna som finns i glidstyckena.

Var försiktig så inte handpuls-kabeln skadas: kabeln skall löpa utmed den mellersta skåran i det främre handstödet. Dra sedan åt skruvarna i stolparna. Dra loss skyddsfilmen från displayen.

Koppla ihop kabeln från det vänstra handtaget med kontakten till vänster under löpunderlaget. Det underlättar om du lutar löpbandet en aning mot höger sida.

SÄKERHETSNYCKEL

Löpbandet och mätaren fungerar bara om säkerhetsnyckeln sitter i låset; bandet stannar automatiskt om nyckeln inte är på sin plats i låset. Se till att säkerhetsnyckeln är ordentligt i sin plats samt fäst vid kläderna; när bandet spänns får hållaren aldrig lossna från kläderna, utan säkerhetsnyckeln ska dras ur låset.

ELKABEL

Anslut nätkabelns kontakt till stickdosan som finns bredvid strömbrytaren i löpbandets framända. Kontrollera att nätspänningen överensstämmer med den spänning som finns angiven på löpbandets typplatta innan bandet ansluts till elnätet. Koppla på strömmen till löpmattan med strömbrytaren bredvid stickkontakten. **VIKTIGT!** Redskapet bör kopplas till ett jordat vägguttag. Använd inga skarvsladdar när du kopplar redskapet till nätet.

ALLMÄNT OM TRÄNING

Innan du börjar träna är det viktigt att du bekantar dig med hur det motordrivna löpbandet fungerar och hur du använder det.

Träning med ett löpband är en utmärkt aerobisk motion. Grundidén är att motionen skall vara förhållandevis lätt, men räcka länge. Aerobisk motion bygger på en förbättring av den maximala syreupptagningsförmågan, som förbättrar uthålligheten och konditionen. Kroppens förmåga att använda fett som bränsle är direkt beroende av dess förmåga att transportera syre.

Aerobisk träning ska framför allt vara behagligt. Du ska bli svettig men pulsen ska inte bli skyhögt. Detta gör att du kan träna längre. Den rekommenderade träningsmängden är 30–60 minuter 3 gånger i veckan beroende på din kondition och målsättning samt dina träningsmöjligheter.

Om du vill gångträna kan du variera och göra träningen mer krävande genom att justera löpunderlagets vinkel. Du kan också göra gångträningen mångsidigare genom att samtidigt träna armmusklerna med hantlar. Tag då i beaktande balans och andra säkerhetsfaktorer.

ANGÅENDE TRÄNINGSMILJÖN

- Placera redskapet på ett stadigt, plant underlag. Placera redskapet på ett så jämnt underlag som möjligt och så att du har ett fritt utrymme på minst 100 cm framför och på sidorna och minst 200 cm bakom redskapet. Kontrollera även att inga barn eller husdjur kommer in på denna yta då apparaten är igång.
- Vi rekommenderar att redskapet placeras på ett underlag som skyddar golvet.
- Försäkra dig om att träningsutrymmet har god ventilation. Undvik dock att träna i dragiga utrymmen, eftersom det kan ge dig en förkylning.

ANGÅENDE TRÄNINGEN

- Koppla alltid av strömmen efter varje träningspass.
- Föräldrar och andra med ansvar för barn bör beakta att barns naturliga nyfikenhet och lekfullhet kan leda till situationer och handlingar som redskapet inte är tänkt för. Om barn tillåts använda träningsredskapet bör de övervakas och läras hur man använder det. Man bör då beakta barnens psykiska och fysiska utveckling och deras personlighet.
- Redskapet får användas av endast en person åt gången.
- Lämna aldrig mattan obebakad då den rullar.
- Håll händerna tillräckligt långt från rörliga delar.
- Använd lämpliga kläder och skor när du tränar.
- Innan du börjar använda redskapet, försäkra dig om att det på alla sätt fungerar som det skall. Använd inte redskapet om det har något fel.
- Använd inte redskapet innan alla kåpor och skydd är på plats.

BÖRJA TRÄNINGSPASS

- Värm upp före träningspasset och avsluta med avslappningsövningar och stretching för att undvika träningsvärk.
- Stå grenstående på löpbandets sidoplåtar. Stå inte på själva bandet när du startar redskapet.
- Börja träningen i ett lågt tempo och öka tempot och/eller vinkeln på löpbandet successivt med hänsyn till din kondition.
- Håll rygg och nacke rak, så undviker du att bli stel eller få ont i nacke, skuldror och rygg. Löp alltid mitt på bandet och håll avståndet till displayen så att du lätt når den utan att din löpning störs.
- Fatta alltid tag i handstödet när du stiger på eller av löpbandet och alltid när du ändrar bandets hastighet mitt under pågående träning. Hoppa aldrig av ett roterande löpband!
- Om du känner dig illamående, får svindel eller uppvisar andra onormala symtom under träningen, skall du omedelbart avbryta träningen och vända dig till din läkare.
- Om det uppkommer fel på redskapet under ett träningspass, ta tag i handtagen och ställ dig omedelbart gränsle över löpbandet genom att stå på sidokåporna. Stäng av löpbandet och läs under "Störningar vid användning" i bruksanvisningen.

AVSLUTA TRÄNINGSPASS

- Avsluta aldrig ett träningspass tvärt, utan minska tempot successivt och glöm inte att stretcha efter passet.
- Tag alltid bort säkerhetsnyckeln när du avslutar din träning.
- Koppla bort strömmen med strömbrytaren i löpbandets framända.
- Drag ut nätkabeln ur vägguttaget och stickdosan i löpbandet.
- Torka vid behov bort svett med en fuktig duk. Använd inga lösningsmedel!
- Förvara kabeln på ett säkert ställe utom räckhåll för barn.

PULS

Oberoende av vilken din målsättning är när du bästa resultat genom att träna på rätt ansträngningsnivå och det bästa måttet på det är din puls.

PULSMÄTNING MED HJÄLP AV HANDTAGEN

T90:s pulsmätning sker med hjälp av givare som finns i handtagen och givarna mäter pulsen så fort användaren kommer i kontakt med bägge sensorerna samtidigt. Tillförlitlig pulsmätning fås då huden är i ständig kontakt med givarna och huden samtidigt är något fuktig. Alltför torr eller blöt hud försvagar pulsmätarens funktion. Observera, om man under träning sätter ned fötterna alltför hårt på bandet kan detta orsaka störningar som kan påverka handpulsomätarens tillförlitlighet. För att vara försäkrad om ett tillförlitligt resultat, rekommenderar vi att pulsmätning görs under träning i promenadtakt, vid stillastående på löpbandets sidostöd eller då löpbandet stoppats helt. **VIKTIGT!** Pulsmätningens bekräftelse pågår i 8 sekunder från början av mätningen.

TRÅDLÖS PULSMÄTNING

Trådlös pulsmätning, där elektroderna i en sändare på bröstkorgen överför hjärtats slag med hjälp av ett elektromagnetiskt fält till mätaren, har visat sig vara det tillförlitligaste sättet att mäta pulsen.

VIKTIGT! I det fall du använder pacemaker – hör med din läkare om du kan använda trådlös pulsmätning.

För trådlös mätning av pulsen under träningen, skall du noggrant fukta de räfflade elektroderna i elektrodväskan med vatten eller saliv. Om du använder pulssändaren ovanpå skjortan, skall skjortan fuktas under elektroderna. Spänn det elastiska väskan med sändaren kring bröstet under bröstmusklerna, så att elektroderna hela tiden har hudkontakt under träningen. Väskan får dock inte vara så spänd att andningen försvåras. Pulsvärdet från pulssändaren överförs automatiskt till mottagaren upp till ett avstånd på 1 m.

Om elektrodytorna inte är fuktiga, visar mätaren inget pulsvärde. Elektroderna skall då fuktas på nytt. Tänk också på att elektroderna skall värmas upp på huden till kroppstemperatur för att ge tillförlitliga resultat. Om det finns flera apparater för trådlös pulsmätning bredvid varandra, skall avståndet mellan dem vara minst 1,5 m. Om det bara finns en mottagare, men flera sändare, får endast en person med sändare befinna sig inom räckvidd för mottagaren under mätningen. När du tar av dig elektrodväskan, kopplas sändaren bort. Fukt kan dock hålla sändaren aktiverad, vilket förkortar batteriets livslängd. Därför är det viktigt att sändaren omsorgsfullt torkas av efter varje användning.

Observera när du väljer kläder att vissa fibrer i tyget (t.ex. polyester, polyamid) genererar statisk elektricitet och kan därför hindra en tillförlitlig

pulsmätning. Observera att mobiltelefoner, tv-apparater och andra elektriska anordningar genererar ett elektromagnetiskt fält omkring sig och kan därför ge upphov till problem i pulsmätningen.

Ta först reda på din maximipuls, dvs. på vilken nivå pulsen inte längre stiger trots att ansträngningen höjs. Om du inte känner till din maximipuls, kan du använda följande formler som riktgivare:

220 - ÅLDERN

Maximipulsen varierar från person till person. Om du hör till någon riskgrupp, be en läkare mäta din maximipuls åt dig. Vi har definierat tre olika pulsområden för att hjälpa dig när du sätter upp mål för träningen.

NYBÖRJARE: 50-60 % av maximipulsen

Denna nivå lämpar sig också för viktväktare, rehabiliteringspatienter och personer som inte har tränat på länge. Tre träningspass i veckan på minst en halvtimme var rekommenderas. Regelbunden träning förbättrar andnings- och cirkulationskapaciteten hos nybörjare betydligt och du kommer snabbt att märka förbättringen.

MOTIONÄR: 60-70 % av maximipulsen

Denna nivå är perfekt för att förbättra och upprätthålla konditionen. Även en måttlig ansträngning utvecklar hjärtat och lungorna effektivt, om du tränar i minst 30 minuter åtminstone tre gånger i veckan. För att ytterligare förbättra din kondition, höj antingen träningsfrekvensen eller ansträngningen, men inte båda på samma gång!

AKTIV IDROTTARE: 70-80 % av maximipulsen

Träning på denna nivå lämpar sig bara för personer med mycket bra kondition och bör föregås av träning för lång uthållighet.

MÄTARE

FUNKTIONSTANGENTER

START

Starta träningen.

HASTIGHETSTANGENTER (HARE / SKÖLDPADDA)

Nedanför bildskärmen hittar du tangenter för reglering av hastigheten för stegvis höjning av hastigheten med 0,1 km/h intervaller (HARE) och minskning (SKÖLDPADDA). Om du håller tangenten intryckt börjar värdena ändras snabbare. Hastigheten på löpmattan kan justeras över intervallet 0,3-18,0 km/h / 0,2-11 mph.

LUTNINGSTANGENTER

Genom att trycka på tangenten "uppåt" höjer du lutningen på löpunderlaget i steg om 0,5 %, genom att trycka på tangenten "neråt" sänker du lutningen i steg om 0,5 %. Om du håller tangenten intryckt

förändras inställningen snabbare. Lutningen kan justeras i intervallet 0-12 %.

PILTANGENTER

I träningsprogrammen kan du byta ansträngningsnivå genom att skala om programmet med samma tangenter, i pulsstyrd träning kan du byta pulsnivån. Genom att trycka på tangenten "upp" höjer du ansträngningsnivån i steg om 1 %, genom att trycka på tangenten "ner" sänker du däremot ansträngningsnivån i steg om 1 %.

STOP / PAUSE / RESET

Tryck på STOP om du vill avbryta träningen. Om du trycker en gång på STOP stannar löpmattan och går över till stand by-läge i 5 minuter (PAUSE). Du kan återuppta den träning du avbröt genom att trycka på START inom 5 minuter. Tryck på STOP en gång till om du vill avbryta träningen.

SELECT

Innan du trycker på START kan du välja träningsform med SELECT. När du har startat träningen, kan du välja profildisplayen med SELECT.

ENTER

Bekräfta ditt val (träningsform eller -program, användarinställningar).

SET

Genom att trycka på SET kan du kontrollera och ändra apparatens inställningar.

SPEED

När du har startat en funktion enligt manual, kan du snabbjustera hastigheten genom att trycka på SPEED. En första tryckning ökar hastigheten till 5,4 km/h, en andra tryckning ökar hastigheten till 7,2 km/h och en tredje tryckning ökar hastigheten till 9,6 km/h. Efter detta är det möjligt att sänka hastigheten på samma sätt.

COOL DOWN

Genom att trycka på COOL DOWN påbörjas en automatisk nedtrappningsperiod på 5 minuter, varefter mattan stoppar. Vid användning av färdiga träningsprogram startas nedtrappningsperioden automatiskt då programmet är färdigt.

T-WARE PROGRAMVARA

Detta redskap är kompatibelt med T-Ware programvaran för konditionstestning och uppföljning som Tunturi utvecklat. Du kan hitta mera information om T-Ware på Tunturis webbplats på adressen www.tunturi.com.

VISNING PÅ SKÄRMEN

HEART RATE

Uppmätt puls, 45-220 bpm. Pulssignalen blinkar alltid när mätaren mottar en pulssignal.

KCAL

Uppskattad energiförbrukning (0-9999 kcal) i steg om 1 kcal.

ELEVATION

Lutningsvinkeln 0-12 % i steg om 0,5 %.

TIME

Träningstiden visas med en sekunds noggrannhet upp till en timme (00:00-99:59), därefter med en minuts noggrannhet (h1:40-h9:59).

DISTANCE

Den sträcka du har tillryggalagt i kilometer (0,00-99,99 km) i steg om 0,01 km.

SPEED

Löpbandets hastighet i kilometer per timme (0,3-18,0 km/h) i steg om 0,1 km/h. Lampan visar vald enhet (km/h, mph, pace = minuter/kilometer).

GRAFIK/TEXTVISNING

En separat grafikdisplay ger utförlig information om träningsprofilen och i textfältet får du instruktioner genom hela träningspasset.

APPARATINSTÄLLNINGAR

1. Tryck på SET.
2. Ställ in måttenheter (Metric = metersystemet, Imperial = engelska måttenheter); ändra inställningen med piltangenterna, bekräfta inställt värde med ENTER så kommer du vidare till nästa inställning.
3. Mata in din vikt. Ändra inställningen med piltangenterna och bekräfta inställt värde med ENTER så kommer du vidare till nästa inställning: informationen behövs för uppskattning av energiförbrukningen.
4. Ställ in kön (Male = man, Female = kvinna); ändra inställningen med piltangenterna och bekräfta inställt värde med ENTER så kommer du vidare till nästa inställning: informationen behövs för uppskattning av energiförbrukningen.
5. Ställ in användarens ålder; ändra inställningen med piltangenterna, bekräfta inställt värde med ENTER så kommer du vidare till nästa inställning: informationen behövs för uppskattning av energiförbrukningen.
6. Ställ in ljudsignalen (ON = signalen är påkopplad, OFF = signalen är avkopplad); ändra inställningen med piltangenterna, bekräfta inställt värde med ENTER så kommer du vidare till nästa inställning. En ljudsignal meddelar på förhand om förändring i träningsprofilen.
7. Ställ in måttenhet (km/h, min/km (PACE), mph, min/engelskt mil (PACE)). Ändra inställningen med piltangenterna, bekräfta inställt värde med ENTER så kommer du vidare till nästa inställning. **VIKTIGT!** Enhetsval kan göras under träningens gång: tryck på SET en gång och ändra inställningen med piltangenterna, bekräfta inställt värde med ENTER så kommer du tillbaka till träningen.
8. Ställ in löpbandets topphastighet med piltangenterna för den pulsbaserade träningen. I denna träningsform regleras hastigheten av din puls. Om en övre gräns inte ställs in, kan hastigheten bli för hög. Den förinställda maxhastigheten är 12 km/h. Ändra inställningen med piltangenterna,

- bekräfta inställt värde med ENTER så kommer du vidare till nästa inställning.
9. Under TOTAL TIME visas den använda totaltiden. Du kommer vidare till nästa inställning med ENTER.
 10. Under TOTAL DISTANCE visas den använda totaldistansen. Avsluta användarinställningarna med ENTER.

VAL AV TRÄNING

Tryck på SELECT tills önskad träning är indikerad. Du har följande alternativ:

1. Manual-träning, där du själv ställer in både hastigheten och lutningen under träningen.
2. Pulsstyrd träning, HRC-träning, där löpmattan justerar hastigheten/lutning automatiskt så att du hela tiden tränar vid inställd puls nivå; pulsstyrda profiler förutsätter alltid att du använder pulsbälte.
3. Konditionstest. Det finns två olika konditionstest att välja mellan, antingen ett 2 km:s gångtest eller ett 12 minuters Coopers löptest.
4. Färdiga träningsprogram, där hastighet, vinkel eller pulseffekt skiftar efter ett i förväg inställt mönster.

P1: MANUAL-TRÄNING

Snabbstart:

1. Löpmattan är förinställd på Manual-träning, så kan du börja träna direkt genom att trycka på START. Mattan går igång med en hastighet på 1,5 km/h.

Start genom programval:

2. Tryck på SELECT tills MANUAL är indikerat. Bekräfta inställningen genom att trycka på ENTER.
3. Tryck på START; mattan går igång med en hastighet på 1,5 km/h. Du kan justera hastigheten med tangentparet Hare/Sköldpadda eller med SPEED-tangenten. Du kan justera lutningen med lutningstangenter.
4. Profilvisningen tar upp hastighetsdata för träningen med en minuts mellanrum. Efter 20 minuter börjar profilen flyttas till vänster så att visningen omfattar informationen för de 20 senaste minuterna. Genom att trycka på SELECT under pågående träning visas hastighet, vinkel och puls samt löpbanans profil i textfältet.
5. Om du trycker på STOP en gång stannar mattan och övergår till stand-by-läge i 5 minuter. Under den tiden kan du återuppta träningen genom att trycka på START. Genom att trycka två gånger på STOP avslutas träningsprogrammet och mätaren visar utförd prestation varefter den återgår till startläge.

P2: PULSSTYRD TRÄNING

Träning med konstant puls är en träningsform där du ställer in en viss nivå för pulsen under träningen. Pulsstyrd träning förutsätter att du använder pulsbälte. Om pulsmätningen inte fungerar kommer felmeddelandet CHECK TRANSMITTER upp i textfältet. Kontrollera att du har följt instruktionerna för pulsbältet.

1. Tryck på SELECT tills HRC är indikerat. Bekräfta inställningen genom att trycka på ENTER.
2. Välj pulstränings sätt med piltangenter:
 - A) Lutning = Stabiliseringen av pulsnivån grundar sig på ändringar i löpunderlagets lutningsvinkel. I den här träningsformen justerar du själv bandhastigheten med hjälp av PSC eller tangenterna Hare och Sköldpadda.
 - B) Hastighet = Stabiliseringen av pulsnivån grundar sig på automatiska ändringar i bandhastigheten. Om du önskar kan du ändra löpunderlagets lutningsvinkel under träningspasset.
 - C) Kombination = Stabiliseringen av pulsnivån grundar sig på att apparaten styr både löpunderlagets lutningsvinkel och bandhastigheten automatiskt.
4. Bekräfta inställningen genom att trycka på ENTER.
5. Ställ in önskad puls (80-180) med piltangenterna. Bekräfta inställningen genom att trycka på ENTER.
6. Tryck på START för att starta träningen. Du kan justera nivån på pulsen under träningspasset med piltangenterna.
7. Profilvisningen tar upp hastighetsdata för träningen med en minuts mellanrum. Efter 20 minuter börjar profilen flyttas till vänster så att visningen omfattar informationen för de 20 senaste minuterna. Genom att trycka på SELECT under pågående träning visas hastighet, vinkel och puls samt löpbanans profil i textfältet.
8. Om du trycker på STOP en gång stannar mattan och övergår till stand-by-läge i 5 minuter. Under den tiden kan du återuppta träningen genom att trycka på START. Genom att trycka två gånger på STOP avslutas träningsprogrammet och mätaren visar utförd prestation varefter den återgår till startläge.

P3: KONDITIONSTEST

Löpmattan erbjuder två olika konditionstester. Lätt belastning fås med gångtesten på 2 km, som utförs i snabb promenadfart. För den med god kondition passar Coopers löptest bättre och den tar 12 minuter.

1. Tryck på SELECT tills TEST är indikerad. Bekräfta inställningen genom att trycka på ENTER. Bekräfta inställningen genom att trycka på ENTER.
2. Tryck på SELECT för att välja mellan 2 km gångtest och Coopers löptest. Bekräfta inställningen genom att trycka på ENTER.

2 KM GÅNGTEST

Gångtestet förutsätter pulsmätning. Vi rekommenderar trådlös pulsmätning. Din kondition beräknas utifrån din puls under testet, samt för hur lång tid det tar för dig att gå 2 km. Testet börjar med en 3 minuters uppvärmningsperiod. Resultaten visar din maximala syreupptagningsförmåga.

ATT STARTA KONDITIONSTESTET:

1. Mätaren frågar efter testpersonens längd (HEIGHT): mata in din längd med piltangenterna. Tryck sedan på ENTER.
2. Mätaren frågar efter testpersonens kön (SEX): ange kön med piltangenterna. Tryck sedan på ENTER.
3. Mätaren frågar efter testpersonens vikt (WEIGHT):

mata in din vikt med piltangenterna. Tryck sedan på ENTER.

4. Mätaren frågar efter testpersonens ålder (AGE). Mata in åldern med piltangenterna. Tryck sedan på ENTER.
5. Meddelandet (WARM UP) anger att du kan börja uppvärmningen, som tar 3 minuter. Tryck på START för att börja uppvärmningen.
6. För att simulera luftmotståndet justeras lutningen på löpbandet automatiskt till ungefär 1 %. Justera hastigheten med piltangenterna. Som uppvärmningshastighet rekommenderar vi en något snabbare hastighet än normal promenadtakt.
7. Under uppvärmningsperioden räknar klockan ned tiden till noll från 3 minuter. När klockan visar 0.00, hörs en ljudsignal och testet börjar (TEST STARTED).

ATT GÖRA KONDITIONSTESTET:

1. Målsättningen är att gå 2 km så snabbt som möjligt. Justera hastigheten med hastighetstangenterna. Kom ihåg att det inte är tillåtet att springa under testet!
2. Om puls bältet inte fungerar, visas ett felmeddelande i textfältet, CHECK TRANSMITTER. Kontrollera då att du har följt instruktionerna för puls bältet.
3. När testet tar slut hörs en ljudsignal. Då startar den automatiska nedtrappningsperioden som tar 5 minuter och därefter stannar mattan. Mätarens textfält visar ett testresultat vid maximal syreupptagningsförmåga och ditt konditionsvärde.

COOPERS TEST

Coopers löptest går ut på att springa så långt som möjligt på 12 minuter, ju längre sträcka du springer desto bättre kondition har du. Testet börjar med en 3 minuters uppvärmningsperiod. Resultaten visar din maximala syreupptagningsförmåga.

ATT STARTA COOPERS TEST:

1. Meddelandet COOPER SELECTED anger att du har valt Coopers test. Bekräfta inställningen genom att trycka på ENTER.
2. Mätaren frågar efter testpersonens kön (SEX): ange kön med piltangenterna. Tryck sedan på ENTER.
3. Mätaren frågar efter testpersonens ålder (AGE). Mata in åldern med piltangenterna. Tryck sedan på ENTER.
4. Meddelandet (WARM UP) anger att du kan börja uppvärmningen, som tar 3 minuter. Tryck på START för att börja uppvärmningen.
5. För att simulera luftmotståndet justeras lutningen på löpbandet automatiskt till ungefär 1 %. Justera hastigheten med piltangenterna. Som uppvärmningshastighet rekommenderar vi en något snabbare hastighet än normal promenadtakt.
6. Under uppvärmningsperioden räknar klockan ned tiden till noll från 3 minuter. När klockan visar 0.00, hörs en ljudsignal och testet börjar (TEST STARTED).

ATT GÖRA COOPERS TEST:

1. Målsättningen är att springa en så lång sträcka som möjligt på 12 minuter. Du kan justera hastighetsnivån med hjälp av

hastighetstangenterna eller även med SPEED-tangenten.

2. I displayen visas den använda tiden för testet. På mätarens textfält syns ett uppskattat testvärde för den valda hastigheten.

3. När tiden är ute hörs en ljudsignal. Då börjar den automatiska nedtrappningsperioden som tar 5 minuter och därefter stannar mattan. Mätarens textfält visar ett testresultat vid maximal syreupptagningsförmåga och ditt konditionsvärde.

P4-P16: FÄRDIGA TRÄNINGSPROGRAM

För att säkerställa att träningen blir mångsidig, behaglig och målinriktad har Tunturi utvecklat ett antal färdiga träningsprogram som fungerar på olika sätt. Mätaren meddelar på förhand om förändringar i programmet med hjälp av en ljudsignal. Profilverisningen upptar programmets form och uppgifter om nästa stapel i programmet.

Programmet **P4** baseras på manualfunktion, den visar 400 m/varv och din tid mäts vid varje varv.

1. Tryck på SELECT tills programmet P4 är indikerat.
2. Tryck på START; mattan går igång med en hastighet på 1,5 km/h. Du kan justera hastigheten med tangentparet Hare/Sköldpadda eller med SPEED-tangenten.
3. Genom att trycka på SELECT under pågående träning visas hastighet, vinkel och pulsprofilen i textfältet.
4. Om du trycker på STOP en gång stannar mattan och övergår till stand by-läge i 5 minuter. Under den tiden kan du återuppta träningen genom att trycka på START. Genom att trycka två gånger på STOP avslutas träningsprogrammet och mätaren visar utförd prestation varefter den återgår till startläge.

Programmet **P5** är 5 km långt, **P6** är 10 km långt. Programmets vinkelprofil är färdigsatt, hastighetsjusteringen sker manuellt. Vinkelprofilen går att justera

1. Tryck på SELECT tills önskat program (P5-P6) är indikerat.
2. Tryck på START; programmet börjar och mattan går igång. Du kan justera hastigheten med tangentparet HARE/SKÖLDPADDA eller med SPEED-tangenten.
3. Vinkelprofilen går att justera med hjälp av vinkelknappen.
4. Om du trycker på STOP en gång stannar mattan och övergår till stand by-läge i 5 minuter. Under den tiden kan du återuppta träningen genom att trycka på START. Genom att trycka två gånger på STOP avslutas träningsprogrammet och mätaren visar utförd prestation varefter den återgår till startläge.
5. Vid användning av färdiga träningsprogram startas nedtrappningsperioden automatiskt då programmet är färdigt. Därefter mattan stoppar.

Programmet **P7** och **P8** baseras på pulsstyrning. Programmet **P7** är 15 minuter långt och har särskilt utvecklats som uppvärmningsprogram inför

MÄN / MAXIMAL SYREUPPTAGNINGSKAPACITET (VO2MAX)							
1 = MYCKET LÅG - 7 = UTMÄRKT							
ÅLDER	1	2	3	4	5	6	7
18-19	<33	33-38	39-44	45-51	52-57	58-63	>63
20-24	<32	32-37	38-43	44-50	51-56	57-62	>62
25-29	<31	31-35	36-42	43-48	49-53	54-59	>59
30-34	<29	29-34	35-40	41-45	46-51	52-56	>56
35-39	<28	28-32	33-38	39-43	44-48	49-54	>54
40-44	<26	26-31	32-35	36-41	42-46	47-51	>51
45-49	<25	25-29	30-34	35-39	40-43	44-48	>48
50-54	<24	24-27	28-32	33-36	37-41	42-46	>46
55-59	<22	22-26	27-30	31-34	35-39	40-43	>43
60-65	<21	21-24	25-28	29-32	33-36	37-40	>40
KVINNOR / MAXIMAL SYREUPPTAGNINGSKAPACITET (VO2MAX)							
1 = MYCKET LÅG - 7 = UTMÄRKT							
ÅLDER	1	2	3	4	5	6	7
18-19	<28	28-32	33-37	38-42	43-47	48-52	>52
20-24	<27	27-31	32-36	37-41	42-46	47-51	>51
25-29	<26	26-30	31-35	36-40	41-44	45-49	>49
30-34	<25	25-29	30-33	34-37	38-42	43-46	>46
35-39	<24	24-27	28-31	32-35	36-40	41-44	>44
40-44	<22	22-25	26-29	30-33	34-37	38-41	>41
45-49	<21	21-23	24-27	28-31	32-35	36-38	>38
50-54	<19	19-22	23-25	26-29	30-32	33-36	>36
55-59	<18	18-20	21-23	24-27	28-30	31-33	>33
60-65	<16	16-18	19-21	22-24	25-27	28-30	>30

annan träning. Programmet **P8** är 30 minuter långt och har utvecklats som aerobisk grundträning. Pulsstyrning förutsätter att du använder pulsbalte. Om pulsmätningen inte fungerar kommer felmeddelandet CHECK TRANSMITTER upp i textfältet. Kontrollera att du har följt instruktionerna för pulsbalte.

1. Tryck på SELECT tills önskat program (P7-P8) är indikerat. Bekräfta inställningen genom att trycka på ENTER.
2. Välj pulsträningsätt med piltangenter.
3. Tryck på START för att starta träningen. Du kan justera nivån på pulsen under träningspasset med piltangenterna.
4. Om du trycker på STOP en gång stannar mattan och övergår till stand by-läge i 5 minuter. Under den tiden kan du återuppta träningen genom att trycka på START. Genom att trycka två gånger på STOP avslutas träningsprogrammet och mätaren visar utförd prestation varefter den återgår till startläge.
5. Vid användning av färdiga träningsprogram startas nedtrappningsperioden automatiskt då programmet är färdigt. Därefter mattan stoppar.

Program **P9-P11** har varierande svårighetsgrad med förinställd hastighet och lutning. Du kan justera hastigheten till önskad nivå, samt ställa in önskad längd för träningspasset, välj mellan tid eller distans.

1. Tryck på SELECT tills önskat program (P9-P11) är indikerat. Bekräfta inställningen genom att trycka på ENTER.
2. Ställ in önskad distans/tid för programmet. Tryck på SELECT för att komma till önskat värde (distans / tid). Du kan ändra värdet med piltangenterna. Gränsvärdena är 10 minuter (0:10) och 3 timmar (3:00), ändringar görs i steg om 5 minuter / 3 km – 42 km, ändringar görs i steg om 1 km.
3. Tryck på START; träningen börjar och mattan går igång. Tryck på SELECT under träningen, så visas hastighets- och lutningsprofilen för träningspasset.
4. Om du trycker på STOP en gång stannar mattan och övergår till stand-by-läge i 5 minuter. Under den tiden kan du återuppta träningen genom att trycka på START. Genom att trycka två gånger på STOP avslutas träningsprogrammet och mätaren visar utförd prestation varefter den återgår till startläge.
5. Vid användning av färdiga träningsprogram startas nedtrappningsperioden automatiskt då programmet är färdigt. Därefter mattan stoppar.

Program P12 är en intervallträningsprofil, där du kan ställa in distans eller tid och själv bestämma löpbandets hastighet.

1. Tryck på SELECT tills önskat program (P12) är indikerat. Bekräfta inställningen genom att trycka på ENTER.
2. Ställ in önskad distans/tid för programmet. Tryck på SELECT för att komma till önskat värde (distans / tid). Du kan ändra värdet med piltangenterna. Gränsvärdena är 10 minuter (0:10) och 3 timmar (3:00), ändringar görs i steg om 5 minuter / 3 km – 42 km, ändringar görs i steg om 1 km.
3. Tryck på START; träningen börjar och mattan går igång. Du kan justera hastighetsnivån med hjälp av hastighetstangenterna eller även med SPEED-tangenten.
4. Du kan justera lutningsprofilen under träningspasset med piltangenterna.
5. Om du trycker på STOP en gång stannar mattan och övergår till stand-by-läge i 5 minuter. Under den tiden kan du återuppta träningen genom att trycka på START. Genom att trycka två gånger på STOP avslutas träningsprogrammet och mätaren visar utförd prestation varefter den återgår till startläge.
6. Vid användning av färdiga träningsprogram startas nedtrappningsperioden automatiskt då programmet är färdigt. Därefter mattan stoppar.

HRC-profilerna P13-P16 är pulsstyrda träningsprofiler med olika grad av ansträngning och låter dig ställa in längden på träningen. Profilerna förutsätter alltid att du använder pulsbalte. Om pulsmätningen inte fungerar kommer felmeddelandet CHECK TRANSMITTER upp i textfältet. Kontrollera då att du har följt instruktionerna för pulsbalte.

1. Tryck på SELECT tills önskat program (P13-P16) är indikerat. Bekräfta inställningen genom att trycka på ENTER.

2. Välj pulstränings sätt med piltangenter. Bekräfta inställningen genom att trycka på ENTER.
3. Ställ in önskad distans/tid för programmet. Tryck på SELECT för att komma till önskat värde (distans / tid). Det senast inställda värdet visas i sifferfönstret. Du kan ändra värdet med piltangenterna. Gränsvärdena är 10 minuter (0:10) och 3 timmar (3:00), ändringar görs i steg om 5 minuter / 3 km – 42 km, ändringar görs i steg om 1 km. Tryck på ENTER för att bekräfta inställt värde.
4. Tryck på START; träningen börjar och mattan går igång. Du kan skala om puls nivån för profilen med hjälp av piltangenterna i steg om 1 % uppåt eller neråt.
5. Om du trycker på hastighetstangenter kan du ställa in löpbandets topphastighet.
6. Om du trycker på STOP en gång stannar mattan och övergår till stand-by-läge i 5 minuter. Under den tiden kan du återuppta träningen genom att trycka på START. Genom att trycka två gånger på STOP avslutas träningsprogrammet och mätaren visar utförd prestation varefter den återgår till startläge.
7. Vid användning av färdiga träningsprogram startas nedtrappningsperioden automatiskt då programmet är färdigt. Därefter mattan stoppar.

PROGRAMPROFILER (Bilderna finns i slutet av handboken)

P4 (Track) baseras på manulfunktion, den visar 400 m/varv och din tid mäts vid varje varv. Profilen lämpar sig speciellt för grenidrottsträning och för jämförelse av den egna prestationsnivån. Genom att ställa in löpytans vinkel kan du simulera vindmotstånd.

P5 (5K Course). Programmets fasta längd är 5 km. Programmets vinkelprofil är färdigsatt, hastighetsjusteringen sker manuellt. Vinkelprofilen går att minska. Programmet passar för löp- och grenidrottsträning: 5 km är utvecklat som en tävlingsbana och programmet kan då användas vid jämförelse av den egna prestationsnivån. Den färdigsatta medelvinkeln är 1,1% lutning och toppvinkeln är 3,3% lutning.

P6 (10K Course). Programmets fasta längd är 10 km. Programmets vinkelprofil är färdigsatt, hastighetsjusteringen sker manuellt. Vinkelprofilen går att minska. Programmet passar för löp- och grenidrottsträning: 5 km är utvecklat som en tävlingsbana och programmet kan då användas vid jämförelse av den egna prestationsnivån. Den färdigsatta medelvinkeln är 0,875% lutning och toppvinkeln är 3,3% lutning.

P7 (15 Min Warm Up). Programmet baseras på pulsstyrning. Programmets fasta tidslängd är 15 minuter och det passar särskilt bra som uppvärmningsvarv inför annan träning. Medelpulsvärdet är 113 slag/minut och toppvärdet 122 slag/minut.

P8 (30 Min Health). Programmet baseras på pulsstyrning. Programmets fasta tidslängd är 30

minuter och den passar särskilt bra som aerobisk grundträning. Medelpulsvärdet är 117 slag/minut och toppvärdet 126 slag/minut.

P9 (Hill Walk). Programmet med regelbundet varierande lutning och en tämligen jämn, rask gånghastighet. Programmet passar såväl nybörjare som personer med tidigare erfarenhet av gångträning. Den förinställda medelhastigheten är 5,2 km/h och maxhastigheten är 5,8 km/h. Den förinställda medellutningen är 2,7 %.

P10 (Hill Jog). Programmet med varierande lutning och ett tämligen jämnt, lätt joggingtempo. Programmet passar såväl nybörjare som för den som vill upprätthålla sin kondition. Den förinställda medelhastigheten är 6,9 km/h och maxhastigheten är 7,2 km/h. Den förinställda medellutningen är 1,9 %.

P11 (Hill Run). Programmet med en liten och jämn lutning samt ett regelbundet varierande, raskt löptempo. Programmet passar personer som löptränar. Den förinställda medelhastigheten är 11,6 km/h och maxhastigheten är 12,5 km/h. Den förinställda medellutning är 1,8 %.

P12 (Rolling Hills). Ett distansprogram. Ställ in distansen i kilometer. Programmet är tänkt främst som ett träningsprogram för löpträning, men passar även för konditionsträning. Maxdistansen är 42 km, den förinställda distansen är 3 km, med justering i steg om 1 km. Den förinställda lutningsprofilen är av intervalltyp. Den förinställda medellutningen är 2,4 %.

P13 (Fatburner 1). Ett pulsbaserat program på lågintensiv nivå, som baserar sig på en jämn höjning och sänkning av pulsnivån. Den förinställda medelpulsen är 114, maxpulsen 125.

P14 (Fatburner 2). Ett pulsbaserat program på medelintensiv nivå, som baserar sig på höjning och sänkning av pulsnivån i intervaller. Programmet passar såväl för konditionsträning som för viktkontroll. Den förinställda medelpulsen är 122, maxpulsen 136.

P15 (Cardio). Ett pulsbaserat program på medelintensiv nivå, som baserar sig på en jämn höjning och sänkning av pulsnivån. Pulsnivån ligger på ungefär 130–140 genom hela träningspasset. Programmet passar utomordentligt för konditionsträning. Den förinställda medelpulsen är 129, maxpulsen 145.

P16 (Fit). Ett pulsbaserat program på högintensiv nivå, som baserar sig på en jämn höjning och sänkning av pulsnivån. Pulsnivån ligger på ungefär 135–145 genom hela träningspasset. Programmet passar för konditionsträning för personer med god kondition och för att förbättra konditionen. Den förinställda medelpulsen är 133, maxpulsen 150.

SERVICE

För att redskapet ska vara säkert att använda krävs regelbunden service, och att man ger akt på eventuella fel (slitage av delar osv.). Kolla en gång om året att alla skruvar och muttrar är åtdragna. Om någon del går sönder ska delen bytas ut omedelbart. Redskapet får inte användas om det inte är i funktionsdugligt skick.

RENGÖRING OCH SMÖRJNING AV LÖPBAND

OM DU UNDERLÅTER ATT SMÖRJA LÖPBANDET KAN DET LEDA TILL ATT PRODUKTGARANTIN BLIR OGILTIG!

Torka av handstöden och mätaren med en fuktig duk. Använd inga lösningsmedel! Dammsug regelbundet de synliga delarna av löpbandets ram (bl.a. bandet, bottenskivan, sidoplåtarna) med ett litet munstycke. Håll även omgivningen kring löpmattan ren. Löpmattan drar i användning till sig t.ex. damm som kan ge upphov till funktionsproblem för redskapet.

Vid genomsnittlig hemanvändning (högst 60 minuter om dagen) bör du kontrollera smörjningen en gång i månaden - men smörj bara bandet om det behövs. Vid mer krävande användning behöver smörjningen kontrolleras med kortare intervall. Det gör du bäst innan du påbörjar ett träningspass. Kontrollera smörjningen på följande sätt:

1. Se till att strömmen till löpbandet är avstängd! Kliv upp på löpbandet och stå stadigt där du normalt springer på bandet.
2. Fatta tag i det horisontala handstödet och tryck på bandet med fötterna så att det rör sig fram och tillbaka. Bandet ska röra sig mjukt, jämnt och ljudlöst.
3. Om du observerar ryckiga rörelser eller om bandet inte rör sig kontrollerar du smörjningen genom att känna med handen under bandet.

Smörj mattan på följande sätt:

1. Fäst munstycket till smörjtuben på T-Lube S-behållaren.
2. Justera loppplattan till det högsta läget.
3. Placera munstycket mellan bandet och skivan. Försök att spreja så långt in mot mitten av loppplattan som möjligt.
4. Spreja med smörjmedlet i 2-3 sekunder.
5. Sänk loppplattan till normal position. Använd löpbandet för träning eller kör löpbandet i minst 5 minuter.

OBS! Använd endast T-Lube S-silikonsmörjmedel för smörjning av löpbandet. Kontakta närmaste Tunturiäterförsäljare om du behöver mer T-Lube eller mer information om smörjning och underhåll.

CENTRERING AV LÖPBAND

Kontrollera bandets funktion under ditt träningspass och utför de nedan beskrivna inställningsåtgärderna omedelbart när du märker att det behövs. Bandet skall ligga mitt på valsarna. Någon centrering behövs vanligtvis inte, om

- löpbandet placerats på ett plant underlag och har den rätta spänningen
- bandet är riktigt centrerat

På grund av olika löpstilar (t ex ojämn viktfordelning) kan bandet dock småningom förskjutas mot endera sidan.

Om löpbandets kant sticker ut under någondera av sidprofilerna, måste bandet centreras på nytt.

1. Ställ in hastigheten på 5 km/h.
2. Om löpbandet drar åt vänster, vrid den vänstra justeringsbulten i den bakre kanten av löpbandet $\frac{1}{4}$ varv medsols och den högra justeringsbulten $\frac{1}{4}$ varv motsols. Redan $\frac{1}{4}$ varv påverkar bandets riktning. Därför skall justeringsbultarna vridas litet åt gången. Om löpbandet drar åt höger, vrid den högra justeringsbulten $\frac{1}{4}$ varv medsols och den vänstra justeringsbulten $\frac{1}{4}$ varv motsols.
3. Om löpbandet hålls i mitten är inställningen riktig, men om bandet alltfjämt dras åt sidan skall åtgärden upprepas tills bandet löper rakt.

Om bandet får löpa snett under en längre tid, så att endera sidan skavar mot redskapets kant, kan driftstörningar förekomma. Garantin täcker inga fel eller skador som beror på att bandet inte centrerats.

JUSTERING AV LÖPBANDETS SPÄNNING

Löpbandet måste spännas, om det börjar slira vid normal drift. Spänningen skall dock vara så liten som möjligt! Spänningen justeras med hjälp av samma bultar som vid centreringen.

1. Ställ in hastigheten på 5 km/h.
2. Vrid båda justeringsbultarna medsols lika mycket, ca $\frac{1}{4}$ varv.
3. Försök få bandet att gå långsammare genom att bromsa med fötterna (som i en utförsbacke).

Om bandet fortfarande slirar, vrid ytterligare $\frac{1}{4}$ varv och upprepa försöket. Mycket kraftig bromsning får bandet att slira. Om mattan regelbundet börjar slira trots justeringar, kontakta din försäljare.

STÖRNINGAR VID ANVÄNDNING

VIKTIGT! Trots kontinuerlig kvalitetskontroll kan fel eller funktionsstörningar som beror på någon enskild komponent förekomma. Därför är det onödigt att hela redskapet skickas på reparation, eftersom det för det mesta räcker med att aktuell komponent byts.

Om din löpmatta fungerar på ett sätt som avviker

från det normala, vrid strömbrytaren till OFF och vänta i en minut. Koppla därefter på mattan igen och kontrollera om felet är avhjälpt. Om felet inte upprepas, kan du använda löpmattan normalt. Om felet inte avhjälps av detta, kontakta din försäljare.

Kontakta genast din försäljare om du upptäcker fel eller brister när du använder ditt redskap eller om du behöver reservdelar. Uppge alltid redskapets modell och serienummer. Beskriv problemet, hur redskapet använts, och uppgi inköpsdagen. Behöver du reservdelar, uppgi också numret på reservdelar; du hittar en lista på reservdelar i slutet på den här handboken. Till apparaten får endast delar från reservdelslistan användas.

KODER FÖR FEL

Mätaren meddelar om störningar i olika funktioner på skärmen.

SYSTEM CHECK FAILED - Eventuella störningar i motorstyrenheten. Stäng av löpbandet, vänta 1 minut och slå på strömmen igen. Om inget felmeddelande visas, kan du använda redskapet normalt. Om felmeddelandet kvarstår, kontakta återförsäljaren.

SPEED SENSOR ERROR - Störningar i hastighetssensorn. Kontakta återförsäljaren.

MOTOR SPEED ERROR - Störningar i löpbandets hastighetsjustering. Försäkra dig om att du använder redskapet korrekt: skjut inte på bandet med dina fötter. Stäng av löpbandet, vänta 1 minut och slå på strömmen igen. Om inget felmeddelande visas, kan du använda redskapet normalt. Om felmeddelandet kvarstår, kontakta återförsäljaren.

MOTOR OVERLOAD - Överbelastning av motorn. Försäkra dig om att du använder redskapet korrekt: bromsa inte löpbandet. Stäng av löpbandet, vänta 1 minut och slå på strömmen igen. Om inget felmeddelande visas, kan du använda redskapet normalt. Kontrollera att löpbandet är välsmort, smörj vid behov. Om felmeddelandet kvarstår, kontakta återförsäljaren.

LIFT MOTOR ERROR - Störningar i lyftmotorn. Kontakta återförsäljaren.

LIFT MOTOR OVERLOAD - Överbelastning av lyftmotorn. Försäkra dig om att du använder redskapet korrekt: överbelasta inte lyftmotorn genom att ständigt justera lutningen. Stäng av löpbandet, vänta 1 minut och slå på strömmen igen. Vid start av löpmattan kalibreras lyftmotorn automatiskt. Om inget felmeddelande visas, kan du använda redskapet normalt. Om felmeddelandet kvarstår, kontakta återförsäljaren.

SERVICE KOD

CHECK LUBRICATION. Kontrollera att löpbandet är välsmort, smörj vid behov. Tryck två gånger på ENTER för att ta bort koden.

TRANSPORT OCH FÖRVARING

Gör så här för att förflytta löpband T90: Stäng av strömmen och lossa elkabeln från både vägguttaget och löpbandet. Ställ dig bakom redskapet och ta tag i aluminiumprofilen bak på redskapet. Fäll upp redskapet så att det vilar på transporthjulen. Förflytta redskapet genom att rulla det framåt på transporthjulen. Sänk försiktigt ner löpbandet på golvet.

VIKTIGT! Förflytta löpbandet ytterst försiktigt över ojämna ställen på golvet, till exempel över tröskel. I trappor får löpbandet aldrig transporteras på transporthjulen, utan det måste bäras. För undvikande av skador rekommenderas att redskapet placeras på ett skyddat underlag. När man flyttar på löpbandet kan vissa golvmaterial ta skada, t.ex. parkettgolv. Underlaget bör i sådana fall skyddas. Efter förflyttning måste bandet vid behov centreras.

För undvikande av funktionsstörningar skall redskapet förvaras på ett torrt och dammfritt ställe som har en jämn temperatur. Drag ur stickkontakten efter varje användning.

TEKNISKA DATA

Längd	214 cm
Höjd	143 cm
Bredd	91 cm
Vikt	126 kg
Löpyta	52 x 158 cm
Bandhastighet	0,3-18,0 km/h
Lutning	0-12 %
Motor	3,5 HK

Alla Tunturimodeller har konstruerats för att uppfylla EU:s EMC-direktiv gällande elektromagnetisk kompatibilitet (89/336/EEC) och elutrustning som utformats för användning inom vissa gränser för spänningen (73/23/EEC). Därför är denna produkt försedd med CE-konformitetsmärkning. T90 uppfyller EN-standarden för precision och säkerhet (klass SA, EN-957, delar 1 och 6).

På grund av vår policy för kontinuerlig produktutveckling förbehåller vi, Tunturi, oss rätten till ändringar.

VIKTIGT! Instruktionerna måste följas noggrant vid montering, användning och underhåll av redskapet. Garantin gäller inte skador som uppkommit pga. underlåtenhet att iaktta de instruktioner för montering, justering och underhåll som beskrivits här. Redskap som modifieras eller förändras på ett sätt som inte är godkänt av Tunturi Oy Ltd får inte användas.

Vi önskar dig mycket nöje i träningen med din nya träningspartner från Tunturi.

SISÄLTÖ

ASENNUS	89
(Pidennetyt käsituet).....	100
YLEISTÄ HARJOITTELUSTA.....	90
SYKE	91
MITTARI	92
HARJOITUKSEN VALINTA	93
HUOLTO	97
KÄYTTÖHÄIRIÖT.....	98
KULJETUS JA SÄILYTYS	99
TEKNISET TIEDOT	99

HUOMAUTUKSET JA VAROITUKSET

Tämä opas on olennainen osa kuntolaitettasi. Pehdy ohjeisiin huolellisesti ennen kuin asennat, käytät tai huollat kuntolaitettasi. Sinun tulee ehdottomasti säilyttää tämä opas, sillä jatkossa se opastaa Sinua niin kuntolaitteesi tehokkaaseen käyttöön kuin huoltoonkin. Muista aina noudattaa tämän oppaan ohjeita.

- Laitteen saa kytkeä vain maadoitettuun pistorasiaan. Älä käytä jatkojohtoja juoksumaton kytkennässä virtalähteeseen. Laitteen virrankulutus on enintään 10 A. Virtalähteet, joiden jännitevaihtelu on suurempi kuin 12 % voivat johtaa juoksumaton virheelliseen toimintaan tai vahingoittaa juoksumaton elektroniikkaa. Mikäli laite kytketään tässä ohjekirjassa annettujen ohjeiden vastaisesti, laitteen takuu raukeaa.
- Laitteen verkkojohto on varustettu maadoitetuilla liittimellä ja pistokkeella. Muutoksia pistorasiaan tai verkkojohdon pistokkeisiin saa tehdä vain henkilö, jolla on lupa suorittaa sähkömekaanisten laitteiden huolto- ja korjaustöitä.
- Ennen harjoittelun aloittamista käy varmistuttamassa terveydentilasi lääkärillä.
- Älä yritä tehdä laitteelle muita kuin tässä ohjekirjassa kuvattuja säätöjä tai huoltotoimenpiteitä. Asennus- ja huoltotöitä tehtäessä virran on oltava kytkettynä pois ja verkkopistokkeen on oltava irti pistorasiasta.
- Laitetta saa käyttää vain sisätiloissa. Harjoitteluolosuhteissa laite kestää lämpötiloja +10 asteesta +35 asteeseen, varastoitaessa lämpötiloja -15 asteesta +40 asteeseen. Ilman kosteus ei saa missään tapauksessa ylittää 90 %.
- Laitteen ehdoton enimmäiskäyttäjänpaino on 150 kg.
- Tarkempia tietoja kuntolaitteesi takuusta löydät laitteen mukana toimitetusta takuukirjasesta. Huomaa, että takuu ei korvaa mitään vahinkoja, jotka ovat aiheutuneet tässä ohjekirjassa mainittujen asennus-, säätö- ja huolto-ohjeiden laiminlyönneistä.

TERVETULOA
TUNTURIKUNTOILIJOIDEN

JOUKKOON!

Valintasi osoittaa, että tahdot todella huolehtia kunnostasi; valintasi osoittaa myös sen, että arvostat korkeaa laatua ja tyylikkyyttä. Tunturi-kuntolaitteen myötä olet valinnut korkealuokkaisen, turvallisen ja motivoivan kuntolaitteen harjoituskumppaniksesi. Olkoon tavoitteesi kuntoilun saralla mikä tahansa, olemme varmoja, että tällä Tunturin kuntolaitteella tulet tavoitteesi saavuttamaan. Lisätietoja Tunturin kuntolaitteista sekä harjoittelusta löydät internetistä Tunturin kotisivuilta WWW.TUNTURI.COM.

ASENNUS

Aloita tarkistamalla, että pakkaukset sisältävät seuraavat osat:

PAKKAUS 1/3:

1. Juoksualusta
2. Verkkojohto

PAKKAUS 2/3:

3. Etukaiteet
4. Käsituki-mittarikokonaisuus
5. Asennustarvikepussi (sisältö merkitty *):llä varaosaluetteloon): säästä asennustarvikkeet, sillä voit tarvita niitä mm. laitteen säätämiseen

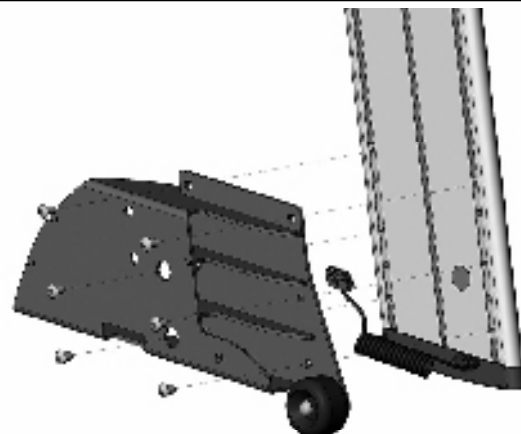
PAKKAUS 3/3:

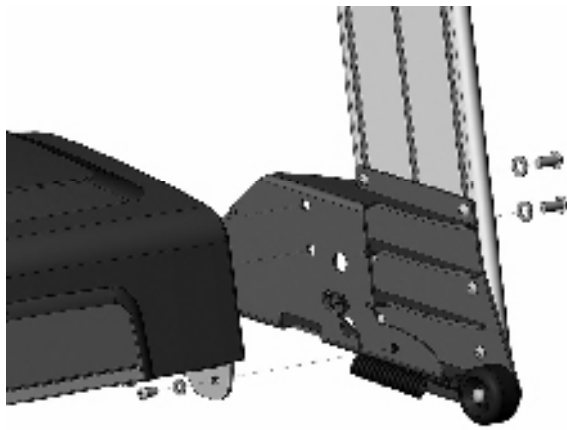
6. Pidennetyt käsituet (asennus: sivu 100)

Ohjeessa mainitut suunnat oikea, vasen, etu ja taka on määritelty harjoitusasennosta katsottuna. Ota ongelmatilanteissa yhteys laitteen myyjään. Suosittelemme, että laitteen kokoaa kaksi henkilöä. Kokoaa kuntolaitteesi toimintakuntoon seuraavasti:

Avaa molemmat pakkaukset ja poista kaikki suojastyrox-palat.

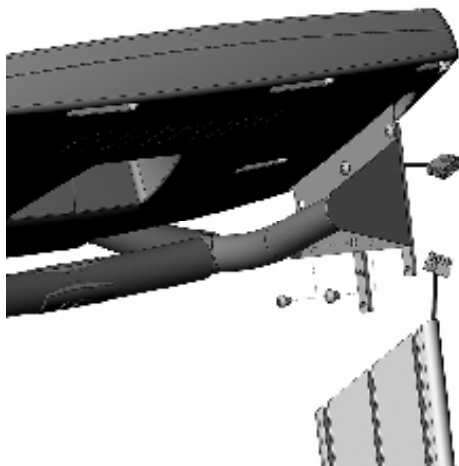
ETUKAITEET





Kiinnitä etukaiteiden kiinnityskappaleet etukaiteiden alapäihin. Molemmat kiinnityskappaleet kiinnitetään 6 kuusiokoloruuvilla (A) tiukkaan. **TÄRKEÄÄ!** Vasen etukaide ja kiinnityskappale on merkitty punaisella tarralla. Kiinnitä kumpikin etukaide juoksualustaan kahdella kuusiokoloruuvilla (B) ja aluslaatalla (C) sekä yhdellä kuusiokoloruuvilla (D) ja aluslaatalla (E). Varo vahingoittamasta vasemmasta etukaiteesta tulevaa johtoa. **TÄRKEÄÄ!** Kiristä ruuvit tiukkaan vasta kun olet kiinnittänyt käsituen ja mittarin paikoilleen.

KÄSITUKI JA MITTARI



Käännä käsitukien sivuilla olevia liukupaloja alaspäin niin, että voit kiinnittää kunkin liukupalan kiinnitysruuvilla (F) käsituen alempien kiinnitysreikien kautta. **TÄRKEÄÄ!** Kiinnitä tässä vaiheessa liukupalat mahdollisimman löysästi. Älä poista liukupaloiissa olevia ruuveja. Laske käsituki-mittarikokonaisuus etukaiteiden varaan siten, että käsitukien sivuissa olevat liukupalat menevät etukaiteiden uriin. Liitä vasemmasta etukaiteesta tuleva johto mittarin liittimeen ja työnnä liitetty johto etukaiteen sisälle. Paina nyt käsitukimittarikokonaisuus etukaiteiden päihin kiinni ja kiristä liukupalojen kaikki kuusiokoloruuvit.

Varo vahingoittamasta käsipulssijohtoa: johdon tulee kulkea etukaiteen keskimmäisen uran kohdalla. Kiristä etukaiteiden kiinnitysruuvit. Poista suojakalvo näytön päältä.

Liitä vasemmasta käsituesta tulevan johto juoksualustan alla, vasemmalla puolella olevaan liittimeen. Asennusta voi helpottaa kallistamalla juoksumattoa hieman oikealle kyljelleen.

TURVA-AVAIN

Juoksumatto toimii vain, jos turva-avain on asetettu kunnolla paikalleen; laite pysähtyy välittömästi, kun turva-avain irtoaa. Kiinnitä turva-avaimen naru pidikkeen avulla vaatetukseesi, esim. kaulukseen tai rintapieleen, ja työnnä turva-avain käyttöliittymän alareunassa olevaan loveen. Varmista harjoitellessasi, että turva-avaimen pidike on kiinnitetty vaatetukseesi kunnolla; turva-avaimen narun kiristyessä pidike ei koskaan saa irrota vaatetuksestasi ennen kuin turva-avain on irronnut käyttöliittymästä.

VERKKOJOHTO

Ennen kuin kytket juoksumaton virtalähteeseen, tarkista jännitteen sopivuus laitteesi tyyppikilvestä. Kytke verkkovirtajohdon pistotulppa juoksumaton etuosassa olevaan liittimeen. Kytke virta laitteeseen liittimen vieressä olevasta virtakytkimestä. **TÄRKEÄÄ!** Laitteen saa kytkeä vain maadoitettuun pistorasiaan. Älä käytä jatkojohtoja juoksumaton kytkennässä virtalähteeseen.

YLEISTÄ HARJOITTELUSTA

Moottoroidun juoksumaton toimintoihin ja hallintaan tulee tutustua huolellisesti ennen harjoittelun aloittamista.

Harjoittelu juoksumatolla on erinomaista aerobista liikuntaa, jonka perusideana on, että liikunta on sopivan kevyttä mutta pitkäkestoista. Aerobinen liikunta perustuu maksimaalisen hapenottokyvyn parantamiseen; se puolestaan lisää kestävyyttä ja kuntoa.

Aerobinen liikunta on ennen kaikkea miellyttävää. Hien pitää nousta pintaan, mutta syke ei saa nousta kohtuuttoman korkealle. Näin harjoitusta voidaan jatkaa pidempäänkin. Suositus harjoituksen pituudeksi on 30-60 minuuttia kolme kertaa viikossa tavoitteiden, kunnan ja mahdollisuuksien mukaan.

Mikäli haluat harjoitella kävellen, voit lisätä suorituksen vaihtelevuutta ja vaativuutta muuttamalla juoksualustan kulmaa. Kävelyharjoitusta voi monipuolistaa myös harjoittamalla samanaikaisesti käsilihaksia pienillä painoilla. Huomioi tällöin tasapainosi ja muut turvallisuustekijät.

Lisätietoja Tunturin kuntolaitteista sekä harjoittelusta löydät internetistä Tunturin kotisivuilta www.tunturi.com.

HUOMIOITAVAA HARJOITTELUPAIKASTA

- Laitetta saa käyttää vain sisätiloissa.
- Sijoita juoksumatto kovalle, tasaiselle ja suojatulle

alustalle. Valitse laitteen sijoituspaikka siten, että laitteen eteen ja sivuille jää vähintään 100 cm ja taakse 100x200 cm vapaata tilaa. Huolehdi, etteivät lapset tai kotieläimet tule tälle alueelle laitetta käytettäessä.

● Huolehdi, että harjoitteluympäristö on riittävän hyvin ilmastoitu. Vilustumisen estämiseksi vältä kuitenkin harjoittelua vetoisissa tiloissa.

HUOMIOITAVAA LAITTEEN KÄYTÖSTÄ

- Mikäli lasten annetaan käyttää laitetta, vanhempien tai muiden vastuullisten tulee ottaa huomioon lasten sekä henkinen että fyysinen kehitys ja ennen kaikkea luonne. Lapsia tulee valvoa ja opastaa juoksumaton oikeassa käytössä.
- Vain yksi henkilö kerrallaan saa harjoitella laitteella.
- Pidä kätesi kaukana liikkuvasta matosta. Pidä laitteen alusta aina tyhjänä äläkä työnnä sinne käsiäsi tai jalkojasi tai mitään esineitä.
- Käytä harjoitellessasi sopivaa vaatekappausta ja asianmukaisia jalkineita. Varmista, että kengännauhasi ovat harjoitellessa aina kunnolla solmitut. Käytä vain sisäkäyttöön tarkoitettuja urheilujalkineita.
- Varmista ennen harjoittelun aloittamista, että laite on kaikin puolin kunnossa. Älä koskaan käytä viallista laitetta.
- Älä käytä laitetta mikäli kaikki katteet ja suojukset eivät ole paikoillaan.
- Älä milloinkaan jätä mattoa pyörimään ilman valvontaa.

HARJOITUKSEN ALOITTAMINEN

- Muista venytellä sekä harjoituksen alussa että lopussa. Venyttelyn avulla saat lihaksesi ja nivelsiteesi joustaviksi, laukaiset mahdolliset jännitystilat ja vältät venähdykset ja kipeytymiset harjoituksen aikana. Tee liikkeet rauhallisesti, pitkään ja nykimättä.
- Käynnistä juoksumatto harjoitusta varten aina siten, että seisot hajareisin juoksumaton reunalevyillä.
- Aloita harjoitus hitaalla nopeudella, ja lisää nopeutta ja/tai kulmaa asteittain kuntosi ja tuntemustesi mukaan.
- Ota tukea käsituesta aina kun nousemat matolle tai siltä pois ja aina kun vaihdat maton nopeutta kesken juoksun. Älä hyppää liikkuvalla matolla.
- Pidä selkä ja niska suorana, näin vältät niskan, hartioiden ja selän puutumista ja kipeytymistä. Juokse aina mahdollisimman keskellä mattoa, ja pidä etäisyytesi mittariin sellaisena, ettei se häiritse juoksuasi, mutta yllät siihen helposti.
- Mikäli laitteen toiminnassa ilmenee häiriöitä harjoituksen aikana, ota käsituesta kiinni ja siirry välittömästi seisomaan hajareisin juoksumaton reunalevyille. Sammuta juoksumatto ja katso käyttöohjeen kohta Käyttöhäiriöt.
- Jos tunnet harjoittelun aikana pahoinvointia, huimausta tai muita epänormaaleja oireita, keskeytä harjoittelu välittömästi ja ota yhteys lääkäriin.

HARJOITUKSEN PÄÄTTÄMINEN

- Älä lopeta harjoitustasi yhtäkkiä, vaan vähennä nopeuttasi asteittain, äläkä unohda venyttelyä harjoituksen päätyttyä.
- Irrota turva-avain käyttöliittymästä.
- Kytke virta pois päältä juoksumaton etureunassa olevasta kytkimestä.
- Irrota verkkojohto sekä virtalähteestä että juoksumatosta.
- Puhdista laite tarvittaessa hiestä hieman kostealla liinalla tai pyyhkeellä; älä käytä liuottimia.
- Säilytä verkkojohto lasten ulottumattomissa ja poissa kulkuväyliltä.

SYKE

Sykettä voidaan mitata mittarin sisälle valmiiksi asennetun sykevastaanottimen avulla Polarin sykälähtimen kanssa. Olipa tavoitteesi harjoittelussa mikä hyvänsä, parhaaseen tulokseen pääset harjoittelemalla oikealla rasiustasolla.

PULSSINMITTAUS KÄSIANTUREIDEN AVULLA

T90:n pulssinmittaus perustuu käsituissa oleviin antureihin, jotka mittaavat pulssia aina kun laitteen käyttäjä koskettaa molempia sensoreita yhtäaikaista. Luotettava pulssinmittaus edellyttää että iho on jatkuvassa kosketuksessa antureihin ja että sensoreita koskettava iho on hieman kostea. Liian kuiva ja liian kostea iho heikentävät käsipulssimittauksen toimivuutta. Huomaa myös, että mikäli harjoitellessa jalat iskeytyvät voimakkaasti mattoon, voi tästä aiheutua häiriöitä jotka puolestaan saattavat heikentää käsipulssimittauksen luotettavuutta. Käyttöturvallisuuden varmistamiseksi suosittelemme pulssinmittauksen käyttöä kävelyvauhtisessa harjoittelussa tai liikkumatta joko maton reunalevyillä seisten tai pysäyttämällä maton. **TÄRKEÄÄ!** Pulssinmittauksen varmistus kestää mittauksen alussa 8 sekuntia.

TELEMETRINEN SYKEMITTAUS

Luotettavimmaksi sykkeenmittausperiaatteeksi on todettu langaton sykemittaus, jossa rintakehälle kiinnitettävän lähetimen elektrodit siirtävät sykeimpulssit sydäimestä sähkömagneettisen kentän avulla mittarille.

TÄRKEÄÄ! Mikäli käytät sydämentahdistinta, varmista lääkäritäsi, että voit käyttää langatonta sykemittausta.

Mikäli haluat mitata sykettä langattomasti harjoittelun aikana, kostuta huolellisesti lähetinvyössä olevat, ihoa vasten tulevat uralliset elektrodit vedellä tai syljellä. Mikäli käytät lähetintä paidan päällä, kostuta paita elektrodipintoja vastaavilta kohdilta. Kiinnitä lähetin joustavan vyön avulla sopivan tiukasti rintalihasten alapuolelle siten, että elektrodit pysyvät ihokontaktissa koko harjoituksen ajan. Lähetin ei kuitenkaan saa olla liian tiukalla, jottei esim. normaali hengitys

vaikeudu. Sykelähetin siirtää sydämen sykelukeman automaattisesti sykevastaanottimelle n. 1 m:n etäisyyteen saakka.

Mikäli elektrodipinnat eivät ole kosteat, sykelukema ei ilmesty mittarin näyttöön. Siksi jos elektrodit kuivuvat iholla, kostuta ne uudelleen. Muista myös, että elektrodien tulee antaa lämmetä iholla kehon lämpöiseksi, jotta mittaus toimisi luotettavasti. Jos langattomasti sykettä mittaavia laitteita on useampia vierekkäin, niiden välisen etäisyyden tulee olla vähintään 1,5 m. Vastaavasti jos käytössä on vain yksi vastaanotin, mutta useampi lähetin, saa mittauksen aikana lähetysetäisyydellä olla vain yksi henkilö, jolla on lähetin. Lähettimen toiminta lakkaa, kun otat sen pois yltäsi. Kosteus saattaa kuitenkin aktivoida lähettimen, jolloin patterin käyttöikä lyhenee. Siksi on tärkeää kuivata lähetin huolellisesti käytön jälkeen.

Huomioi harjoitusvaatetuksessasi että tietyt vaatteisiin käytetyt kuidut (esim. polyesteri, polyamidi) tuottavat staattista sähköä, mikä saattaa estää luotettavan sykemittauksen. Huomioi että matkapuhelin, tv ja muut sähkölaitteet muodostavat ympärilleen sähkömagneettisen kentän, joka aiheuttaa ongelmia sykemittauksessa.

Paras rasiustason mittari on oman sydämen syketaajuus. Lähde liikkeelle selvittämällä ensin maksimisyykearvosi eli se lyöntimäärä, josta sykkeesi ei enää nouse, vaikka rasiutus lisääntyisikin. Jos et tiedä omaa maksimisyykearvoasi, voit käyttää seuraavaa kaavaa suuntaa antavana:

220 – IKÄ

Maksimisyyke voi vaihdella yksilöllisesti runsaastikin. Maksimisyyke putoaa keskimäärin yhden sykkeen vuodessa. Mikäli kuulut johonkin riskiryhmään, sinun kannattaa ehdottomasti varmistaa maksimisyykkeesi lääkärin avustuksella.

Olemme määritelleet kolme eri sykealuetta, joista löydät tavoitteitasi parhaiten vastaavat harjoittelualueet.

ALOITTELIJAN TASO: 50 - 60 % maksimisyykkeestä

Tämä taso on sopiva laihduttajille, toipilaille ja niille, jotka eivät ole harrastaneet liikuntaa aikaisemmin tai pitkään aikaan. Suositeltava harjoitusmäärä on kolme kertaa viikossa vähintään puoli tuntia kerrallaan.

KUNTOILIJAN TASO: 60 - 70 % maksimisyykkeestä

Tämä taso sopii erinomaisesti kunnon kohottamiseen ja ylläpitämiseen. Harjoituksen tulisi kestää kerrallaan vähintään puoli tuntia ja harjoituskertoja tulisi olla vähintään kolme viikossa. Mikäli haluat kohottaa kuntoasi edelleen, sinun on lisättävä joko harjoituskertoja tai harjoitustehoa (ei kuitenkaan molempia yhtäaikaan).

AKTIIVIKUNTOILIJAN TASO: 70 - 80 %

maksimisyykkeestä

Harjoittelu tällä tasolla soveltuu vain erittäin hyväkuntoisille ja edellyttää jo pitkään jatkunutta kuntoa.

MITTARI

TOIMINTOPAINIKKEET

START

Käynnistät valitun harjoitteen.

NOPEUDENSÄÄTÖPAINIKKEET (JÄNIS/KILPIKONNA)

Painamalla jänispainiketta lisää maton nopeutta 0,1 km/h portain, painamalla kilpikonnapainiketta puolestaan vähennät maton nopeutta 0,1 km/h portain. Pidempi painallus nopeuttaa muutosta. Nopeuden vaihteluväli on 0,3 – 18 km/h.

KALTEVUUDENSÄÄTÖPAINIKKEET

Painamalla nuoli ylös-painiketta lisää juoksualustan kaltevuutta 0,5 % portain, painamalla nuoli alas-painiketta puolestaan vähennät juoksualustan kaltevuutta 0,5 % portain. Pidempi painallus nopeuttaa muutosta. Kaltevuuden vaihteluväli on 0 – 12 %.

STOP / PAUSE / RESET

Painamalla STOP-painiketta kerran, matto pysähtyy ja siirtyy 5 minuuttia kestävään odotustilaan. Tämän ajan kuluessa voit jatkaa keskeytettyä harjoitusta painamalla START-painiketta. Painamalla kahdesti STOP-painiketta päätät harjoitusohjelman.

NUOLINÄPPÄIMET

Harjoitusohjelmissa voit skaalata vaativuustasoa ja sykeohjatussa harjoittelussa säätää tavoitesyketasoa nopeudensäätpainikkeiden avulla. Painamalla nuoli ylös-painiketta lisää rasiustasoa, painamalla nuoli alas-painiketta puolestaan vähennät rasiustasoa. Pidempi painallus nopeuttaa muutosta.

SELECT

Ennen START-painikkeen painallusta voit valita SELECT-painikkeella haluamasi harjoitteen. Harjoituksen aikana voit valita SELECT-painikkeella haluamasi profiilinäytön.

ENTER

Vahvistat valintasi (harjoite, käyttäjäasetukset).

SET

Painamalla SET-painiketta pääset tekemään ja tarkistamaan laiteasetuksia.

SPEED

Kun olet käynnistänyt manuaaliharjoituksen, voit pikasäätää nopeutta painamalla SPEED-painiketta. Ensimmäinen painallus nostaa nopeuden 5.4 km/h, toinen 7.2 km/h ja kolmas 9.6 km/h. Tämän jälkeen painike säätää nopeutta samoin portain alaspäin.

COOL DOWN

Painamalla COOL DOWN-painiketta aloitat automatisoidun 5 minuuttia kestävä jähdyttelyvaiheen, jonka päätteeksi matto pysähtyy. Valmiissa harjoitusohjelmissa jähdyttelyvaihe alkaa automaattisesti profiilin päätyttyä.

T-WARE -OHJELMISTO

Tämä kuntolaite on yhteensopiva Tunturin kehittämän T-Ware -kuntotestaus- ja seurantaohjelmiston kanssa. Lisätietoja T-Ware -ohjelmistosta ja sen käytöstä löydät Tunturin kotisivuilta www.tunturi.com.

NÄYTÖT**HEART RATE (HARJOITUSSYKE)**

45-220 bpm. Sykevalo vilkkuu aina, kun mittari vastaanottaa sykesignaalia.

KCAL (ARVIOITU ENERGIANKULUTUS)

0-9999 kcal, 1 kalorien portain

ELEVATION (JUOKSUALUSTAN KULMA)

0-12 %, 0,5 % portain

TIME (HARJOITUSAIKA)

näyttö sekunnin tarkkuudella 00:00 - 99:59, tämän jälkeen minuutin tarkkuudella h1:40-h9:59.

DISTANCE (HARJOITUSMATKA)

0-99,99 km, 0,01 km portain. Merkkivalo osoittaa valitun yksikön (metrit / mailit).

SPEED (JUOKSUMATON NOPEUS)

0,3-18,0 km/h / 0,2-11 mph, 0,1 km/h portain. Merkkivalo osoittaa valitun yksikön (km/h, mph, pace = minuuttia / kilometri).

GRAFIikka/TEKSTINÄYTTÖ

T90-mallissa on yhdistetty teksti- ja profiilinäyttö, joka ohjeistaa käyttäjää englanninkielellä harjoitukseen siirryttäessä sekä harjoituksen aikana. Erillinen grafiikkanäyttö antaa yksityiskohtaista tietoa harjoituksen profiilista. Tekstikenttä ohjeistaa niin harjoitukseen siirryttäessä sekä harjoituksen aikana.

LAITEASETUKSET

1. Paina SET-painiketta. Tekstikenttään tulee englanninkielinen ohjeteksti, joka vaihtuu asetettavan arvon mukaan.
2. Aseta mittayksiköt (METRIC = metrinen järjestelmä, IMPERIAL = englantilaiset yksiköt); muuta asetusta nuolipainikkeilla, vahvista asetettu arvo ENTER-painikkeella jolloin siirryt seuraavaan asetukseen.
3. Aseta käyttäjäpaino; muuta asetusta nuolipainikkeilla, vahvista asetettu arvo ENTER-painikkeella jolloin siirryt seuraavaan asetukseen.
4. Aseta sukupuoli (Male = mies, Female = nainen); muuta asetusta nuolipainikkeilla, vahvista asetettu arvo ENTER-painikkeella jolloin siirryt seuraavaan

asetukseen.

5. Aseta käyttäjän ikä; muuta asetusta nuolipainikkeilla, vahvista asetettu arvo ENTER-painikkeella jolloin siirryt seuraavaan asetukseen.
6. Aseta äänimerkin käyttö (AUDIO ON = äänimerkit käytössä, AUDIO OFF = äänimerkit eivät käytössä); muuta asetusta nuolipainikkeilla, vahvista asetettu arvo ENTER-painikkeella jolloin siirryt seuraavaan asetukseen. **TÄRKEÄÄ!** Profiiliharjoitteissa mittari ilmoittaa profiilin muutoksista äänimerkillä etukäteen.
7. Aseta näytön käyttämät yksiköt (km/h, min/km (PACE), mph, min/maili(PACE)); muuta asetusta nuolipainikkeilla, vahvista asetettu arvo ENTER-painikkeella jolloin siirryt seuraavaan asetukseen. **TÄRKEÄÄ!** Yksikkövalinnan voit tehdä harjoituksen aikana: paina SET-painiketta kerran ja valitse asetusta nuolipainikkeilla. Hyväksy asetusta ENTER-painikkeella, jolloin palaat harjoitukseen.
8. Aseta maton huippunopeus nuolinäppäimillä sykeohjattuihin harjoitteisiin: näissä harjoitteissa nopeus määräytyy harjoittelijan sykkeen perusteella ja saattaa ilman huippunopeuden asetusta nousta harjoituksen kannalta liian suureksi. Oletusarvona huippunopeus on 12 km/h. Vahvista asetusta ENTER-painikkeella jolloin siirryt seuraavaan asetukseen.
9. TOTAL TIME -näytössä näet juoksumaton kokonaiskäyttöajan. ENTER-painikkeella siirryt seuraavaan näyttöön.
10. TOTAL DISTANCE -näytössä näet juoksumaton kokonaiskäyttömatkan. ENTER-painikkeella tallennat tiedot ja laite palaa käynnistystilaan.

HARJOITUKSEN VALINTA

Paina SELECT-painiketta kunnes merkkivalo palaa haluamasi harjoituksen kohdalla. Vaihtoehtoina ovat

1. Manual (Track)-harjoitus, jossa säädät harjoituksen aikana itse niin nopeutta kuin kulmaakin
2. Sykeohjattu HRC-harjoitus, jossa juoksumatto säätelee nopeutta / juoksualustan kaltevuutta automaattisesti siten, että harjoittelet jatkuvasti asettamallasi syketasolla
3. Kuntotesti: matto tarjoaa kaksi testivaihtoehtoa, 2 km kävelytestin sekä 12 minuutin Cooperin juoksutestin.
4. Valmis harjoitusohjelma, jossa nopeus, kulma tai syketaso vaihtelevat ennaltsäädetyllä tavalla.

P1: MANUAL-HARJOITUS

Pika-aloitus:

1. Manual-harjoitus on juoksumaton oletusasetuksena. Voit siirtyä Manual-harjoitukseen suoraan painamalla START-painiketta. Matto lähtee liikkeelle 1,5 km/h nopeudella.

Aloitus ohjelmavalinnan kautta:

1. Paina SELECT-painiketta kunnes Manual-tekstin merkkivalo palaa. Vahvista valintasi ENTER-painikkeella.

2. Paina START-painiketta; matto lähtee liikkeelle 1,5 km/h nopeudella. Voit säätää nopeutta Jänis/Kilpikonna-painikkeilla tai SPEED-painikkeen avulla ja juoksualustan kaltevuutta kaltevuudensäätöpainikkeilla.
3. Harjoituksen aikana profiilinäyttöön kerääntyy tietoa minuutin välein. 20 minuutin kuluttua harjoituksen alusta näyttö alkaa siirtyä vasemmalle siten, että näytössä ovat viimeiset 20 minuuttia. Painamalla SELECT-painiketta harjoituksen aikana tekstikenttä näyttää harjoituksen kertyneen nopeus-, kulma- ja syke- sekä juoksurataprofiilin.
4. Painamalla STOP-painiketta kerran, matto pysähtyy ja siirtyy 5 minuuttia kestävään odotustilaan. Tämän ajan kuluessa voit jatkaa keskeytettyä harjoitusta painamalla START-painiketta. Painamalla kahdesti STOP-painiketta päätät harjoitusohjelman, jolloin mittari antaa tietoa tehdystä suorituksesta ja siirtyy käynnistystilaan.

P2: SYKEOHJATTU HARJOITUS

Vakiosykeharjoitukset mahdollistavat harjoittelun halutulla syketasolla. Sykeohjattu harjoittelu edellyttää sykevyön käyttöä. Mikäli sykemittaus ei toimi, tekstikentässä on virheilmoitus CHECK TRANSMITTER. Varmista tällöin, että olet noudattanut sykevyön käytöstä annettuja ohjeita.

1. Paina SELECT-painiketta kunnes HRC-tekstin merkkivalo palaa. Vahvista valintasi ENTER-painikkeella.
2. Valitse sykeohjausmalli nuolipainikkeilla:
 - A) Elev (Kulma): syketason vakiointi perustuu juoksualustan kaltevuuskulman automaattisiin muutoksiin. Tässä harjoitusmuodossa säädät itse maton nopeutta jänis- ja kilpikonnainpainikkeilla tai SPEED-painikkeen avulla.
 - B) Speed (Nopeus): syketason vakiointi perustuu maton nopeuden automaattisiin muutoksiin. Halutessasi voit harjoituksen aikana muuttaa juoksualustan kulmaa.
 - C) Combi (Yhdistelmä): syketason vakiointi perustuu juoksualustan kaltevuuskulman ja maton nopeuden automaattisiin muutoksiin.
3. Vahvista valintasi ENTER-painikkeella.
4. Aseta haluamasi sykearvo (80-180) nuolipainikkeiden avulla. Vahvista valintasi ENTER-painikkeella.
5. Aloita vakiosykeohjelma painamalla START-painiketta. Voit muuttaa tavoitesyketasoa harjoituksen aikana nuolipainikkeilla.
6. Harjoituksen aikana profiilinäyttöön kerääntyy tietoa minuutin välein. 20 minuutin kuluttua harjoituksen alusta näyttö alkaa siirtyä vasemmalle siten, että näytössä ovat viimeiset 20 minuuttia. Painamalla SELECT-painiketta harjoituksen aikana tekstikenttä näyttää harjoituksen kertyneen nopeus-, kulma- ja syke- ja juoksurataprofiilin.
7. Painamalla STOP-painiketta kerran, matto pysähtyy ja siirtyy 5 minuuttia kestävään odotustilaan. Tämän ajan kuluessa voit jatkaa keskeytettyä harjoitusta painamalla START-painiketta. Painamalla kahdesti STOP-painiketta päätät harjoitusohjelman, jolloin mittari siirtyy

käynnistystilaan. Painamalla kahdesti STOP-painiketta päätät harjoitusohjelman, jolloin mittari antaa tietoa tehdystä suorituksesta ja siirtyy käynnistystilaan.

P3: KUNTOTESTI

Juoksumatto tarjoaa kaksi erilaista kuntotestiä. Rasitukseltaan kevyempi on 2 km kävelytesti, joka suoritetaan nopeaa kävelyvauhtia. Hyväkuntoisille soveltuu paremmin Cooperin juoksumatto, joka kestää 12 minuuttia.

ALOITUS:

1. Paina SELECT-painiketta kunnes TEST-tekstin merkkivalo palaa. Vahvista valintasi ENTER-painikkeella.
2. Paina SELECT-painiketta, jonka avulla voit valita joko 2 km kävelytestin tai Cooperin testin. Vahvista valintasi ENTER-painikkeella.

2 KM KÄVELYTESTI

Kävelytesti edellyttää sykevyön käyttöä. Kävelytestissä kuntotaso lasketaan suorituksen aikaisen syketason sekä 2 km matkaan käytetyn ajan perusteella. Testiä edeltää 3 minuutin lämmittelyjakso. Lisäksi suosittelemme, että jatkat kävelemistä rauhalliseen tahtiin testin päätyttyä muutaman minuutin ajan, jolloin sykkeesi palautuu normaalille tasolle. Tulosten perusteella mittari ilmoittaa arvioidun maksimaalisen hapenottokykyä.

KÄVELYTESTIN ALOITUS:

1. Mittarin tekstikenttä kysyy testihenkilön pituutta (HEIGHT): aseta pituus nuolipainikkeilla. Vahvista asetuksesi ENTER-painikkeella.
2. Mittarin tekstikenttä kysyy testihenkilön sukupuolta (SEX): aseta sukupuoli nuolipainikkeilla. Vahvista asetuksesi ENTER-painikkeella.
3. Mittarin tekstikenttä kysyy testihenkilön painoa (WEIGHT): aseta paino nuolipainikkeilla. Vahvista asetuksesi ENTER-painikkeella.
4. Mittarin tekstikenttä kysyy testihenkilön ikää (AGE): aseta ikä nuolipainikkeilla. Vahvista asetuksesi ENTER-painikkeella.
5. Mittarin tekstikenttä ilmoittaa, että 3 minuuttia kestävä lämmittelyjakso (WARM UP) voidaan aloittaa. Aloita lämmittelyjakso painamalla START-painiketta.
6. Juoksualustan kulma säätyy automaattisesti 1 %:n kulmaan, joka testissä simuloi ilmanvastusta. Säädä nopeutta nopeuspainikkeiden avulla. Suosittelemme lämmittelynopeudeksi hieman keskimääräistä nopeampaa kävelyvauhtia.
7. Lämmittelyjakson aikana kello kulkee taaksepäin kolmen minuutin ajan. Kun kello näyttää 0:00, mittari antaa äänimerkin ja varsinaisen testi alkaa (TEST STARTED!).

KÄVELYTESTIN SUORITUS:

1. Tavoitteena testissä on kävellä mahdollisimman nopeasti 2 km matka. Säädät itse nopeutta nopeuspainikkeiden avulla. Muista, että testissä ei saa juosta!
2. Mikäli sykemittaus ei toimi, mittarin tekstikenttä

ilmoittaa tästä tekstillä CHECK TRANSMITTER. Varmista tällöin, että olet noudattanut sykevyyden käytöstä annettuja ohjeita.

3. 2 km:n matkan tultua täyteen mittari antaa äänimerkin. Tällöin alkaa automaattinen 5 minuuttia kestävä jäähdyttelyvaihe, jonka päätteeksi matto pysähtyy. Mittarin tekstikenttä ilmoittaa testituloksen maksimaalisena hapenottokykynä sekä arvion kuntotasosta.

COOPERIN TESTI

Cooperin testissä kuntotaso lasketaan 12 minuutin aikana juostun matkan perusteella: mitä pidemmän matkan pystyt juoksemaan, sen paremmassa kunnossa olet. Testiä edeltää 3 minuutin lämmittelyjakso. Lisäksi suosittelemme, että jatkat kävelemistä rauhalliseen tahtiin testiin päätyttyä muutaman minuutin ajan, jolloin sykkeesi palautuu normaalille tasolle. Tulosten perusteella mittari ilmoittaa arvioidun maksimaalisen hapenottokykyä.

COOPERIN TESTIN ALOITUS:

1. Valittuasi Cooperin testin, mittari ilmoittaa COOPER SELECTED. Hyväksy valintasi ENTER-painikkeella.
2. Mittarin tekstikenttä kysyy testihenkilön sukupuolta (SEX): aseta sukupuoli nuolipainikkeilla. Vahvista asetukseksi ENTER-painikkeella.
3. Mittarin tekstikenttä kysyy testihenkilön ikää (AGE): aseta ikä nuolipainikkeilla. Vahvista asetukseksi ENTER-painikkeella.
4. Mittarin tekstikenttä ilmoittaa, että 3 minuuttia kestävä lämmittelyjakso (WARM UP) voidaan aloittaa. Aloita lämmittelyjakso painamalla START-painiketta.
5. Juoksualustan kulma säätyy automaattisesti 1 %:n kulmaan, joka testissä simuloi ilmanvastusta. Säädä nopeutta nopeuspainikkeiden avulla.
6. Lämmittelyjakson aikana kello kulkee taaksepäin kolmen minuutin ajan. Kun kello näyttää 0:00, mittari antaa äänimerkin ja varsinainen testi alkaa (TEST STARTED!).

COOPERIN TESTIN SUORITUS:

1. Tavoitteena testissä on juosta mahdollisimman pitkä matka 12 minuutin aikana. Säädetä itse nopeutta nopeuspainikkeiden tai SPEED-painikkeen avulla.
2. Mittarin tekstikenttä arvioi testitulosta käytetyllä nopeudella.
3. 12 minuutin tultua täyteen mittari antaa äänimerkin. Tällöin alkaa automaattinen 5 minuuttia kestävä jäähdyttelyvaihe, jonka päätteeksi matto pysähtyy. Mittarin tekstikenttä ilmoittaa testituloksen maksimaalisena hapenottokykynä sekä arvion kuntotasosta.

P4-P16: VALMIIT HARJOITUSOHJELMAT

Monipuolisen, tehokkaan ja tavoitteellisen harjoittelun varmistamiseksi Tunturi on kehittänyt eri tavoin toimivia valmiita harjoitusohjelmia. Harjoituksen aikana mittari antaa tarkempaa tietoa valitusta ohjelmasta. Mittari ilmoittaa etukäteen ohjelman muutoksista äänimerkillä. Profiilinäyttö

MIEHET / MAKSIMAALINEN HAPENOTTOKY (VO2MAX)							
1 = erittäin heikko - 7 = erinomainen							
IKÄ	1	2	3	4	5	6	7
18-19	<33	33-38	39-44	45-51	52-57	58-63	>63
20-24	<32	32-37	38-43	44-50	51-56	57-62	>62
25-29	<31	31-35	36-42	43-48	49-53	54-59	>59
30-34	<29	29-34	35-40	41-45	46-51	52-56	>56
35-39	<28	28-32	33-38	39-43	44-48	49-54	>54
40-44	<26	26-31	32-35	36-41	42-46	47-51	>51
45-49	<25	25-29	30-34	35-39	40-43	44-48	>48
50-54	<24	24-27	28-32	33-36	37-41	42-46	>46
55-59	<22	22-26	27-30	31-34	35-39	40-43	>43
60-65	<21	21-24	25-28	29-32	33-36	37-40	>40
NAISET / MAKSIMAALINEN HAPENOTTOKY (VO2MAX)							
1 = erittäin heikko - 7 = erinomainen							
IKÄ	1	2	3	4	5	6	7
18-19	<28	28-32	33-37	38-42	43-47	48-52	>52
20-24	<27	27-31	32-36	37-41	42-46	47-51	>51
25-29	<26	26-30	31-35	36-40	41-44	45-49	>49
30-34	<25	25-29	30-33	34-37	38-42	43-46	>46
35-39	<24	24-27	28-31	32-35	36-40	41-44	>44
40-44	<22	22-25	26-29	30-33	34-37	38-41	>41
45-49	<21	21-23	24-27	28-31	32-35	36-38	>38
50-54	<19	19-22	23-25	26-29	30-32	33-36	>36
55-59	<18	18-20	21-23	24-27	28-30	31-33	>33
60-65	<16	16-18	19-21	22-24	25-27	28-30	>30

osoittaa ohjelman muodon sekä seuraavan profiilipylvään tiedot.

Ohjelma P4 perustuu manuaalitoimintoon, näytössä on 400 m rata kierros, ja aikasi mitataan jokaiselta kierrokselta.

1. Paina SELECT-painiketta kunnes haluamasi profiilin (P4) merkkivalo palaa.
2. Paina START-painiketta; matto lähtee liikkeelle 1,5 km/h nopeudella. Voit säätää nopeutta Jänis/Kilpikonna-painikkeilla tai SPEED-painikkeen avulla ja juoksualustan kaltevuutta kaltevuudensäätöpainikkeilla.
3. Painamalla SELECT-painiketta harjoituksen aikana tekstikenttä näyttää harjoituksen nopeus-, kulma-, syke- ja rataprofiilin.
4. Painamalla STOP-painiketta kerran, matto pysähtyy ja siirtyy 5 minuuttia kestävään odotustilaan. Tämän ajan kuluessa voit jatkaa keskeytettyä harjoitusta painamalla START-painiketta. Painamalla kahdesti STOP-painiketta päätät harjoitusohjelman, jolloin mittari antaa tietoa tehdystä suorituksesta ja siirtyy käynnistystilaan.

Ohjelma P5 on pituudeltaan 5 km, P6 puolestaan 10 km. Ohjelman kulmaprofiili on valmis, nopeudensäätö tapahtuu manuaalisesti. Kulmaprofiili on skaalattavissa.

1. Paina SELECT-painiketta kunnes haluamasi profiiliin (P5-P6) merkkivalo palaa.
2. Paina START-painiketta; harjoitus alkaa ja matto lähtee liikkeelle. Säädä nopeutta nopeudensäätöpainikkeiden avulla.
3. Kulmaprofiilia voit skaalata nuolipainikkeiden avulla.
4. Painamalla STOP-painiketta kerran, matto pysähtyy ja siirtyy 5 minuuttia kestäväan odotustilaan. Tämän ajan kuluessa voit jatkaa keskeytettyä harjoitusta painamalla START-painiketta. Painamalla kahdesti STOP-painiketta päätät harjoitusohjelman, jolloin mittari siirtyy käynnistystilaan.
5. Ohjelman päättyessä alkaa automaattinen jäähdyttelyvaihe, jonka päätteeksi matto pysähtyy.

Ohjelmat P7 ja P8 perustuvat sykeohjaustoimintoon. Ohjelma P7 kestää 15 minuuttia, ja se on suunniteltu erityisesti lämmittelyohjelmaksi muita suorituksia varten. Ohjelma P8 kestää 30 minuuttia, ja se on suunniteltu aerobiseksi perusharjoitteeksi. Sykeohjatut ohjelmat edellyttävät aina sykevyyden käyttöä. Mikäli sykemittaus ei toimi, tekstikentässä on virheilmoitus CHECK TRANSMITTER. Varmista tällöin, että olet noudattanut sykevyyden käytöstä annettuja ohjeita.

1. Paina SELECT-painiketta kunnes haluamasi ohjelman (P7-P8) merkkivalo palaa. Vahvista valintasi ENTER-painikkeella.
2. Valitse sykeohjausmalli nuolipainikkeilla.
3. Paina START-painiketta; harjoitus alkaa ja matto lähtee liikkeelle. Voit skaalata ohjelman syketasoa nuolipainikkeiden avulla 1 % portain ylös- ja alaspäin.
4. Painamalla STOP-painiketta kerran, matto pysähtyy ja siirtyy 5 minuuttia kestäväan odotustilaan. Tämän ajan kuluessa voit jatkaa keskeytettyä harjoitusta painamalla START-painiketta. Painamalla kahdesti STOP-painiketta päätät harjoitusohjelman, jolloin mittari siirtyy käynnistystilaan.
5. Ohjelman päättyessä alkaa automaattinen jäähdyttelyvaihe, jonka päätteeksi matto pysähtyy.

Ohjelmat P9-P11 ovat vaativuustasoltaan eriasteisia harjoitusprofiileja, joissa nopeus ja kulma ovat valmiiksi asetettuja. Voit skaalata nopeutta haluamallesi tasolle sekä asettaa harjoituksen keston aikana tai matkana.

1. Paina SELECT-painiketta kunnes haluamasi profiiliin (P9-P11) merkkivalo palaa. Vahvista valintasi ENTER-painikkeella.
2. Aseta profiiliin matka / aika. Asetusarvosta toiseen siirryt SELECT-painikkeella. Voit muuttaa arvoa nuolipainikkeilla (raja-arvot 10 minuuttia (0:10) – 3 tuntia (3:00), muutokset 5 minuutin portain / 3 km – 42 km, muutokset 1 km portain).
3. Paina START-painiketta; harjoitus alkaa ja matto lähtee liikkeelle. Voit skaalata ohjelman nopeustasoa nuolipainikkeiden avulla 1 % portain ylös- ja alaspäin. Painamalla SELECT-painiketta harjoituksen aikana tekstikenttä näyttää harjoituksen nopeus- ja

kulmaprofiiliin.

4. Painamalla STOP-painiketta kerran, matto pysähtyy ja siirtyy 5 minuuttia kestäväan odotustilaan. Tämän ajan kuluessa voit jatkaa keskeytettyä harjoitusta painamalla START-painiketta. Painamalla kahdesti STOP-painiketta päätät harjoitusohjelman, jolloin mittari siirtyy käynnistystilaan.
5. Ohjelman päättyessä alkaa automaattinen jäähdyttelyvaihe, jonka päätteeksi matto pysähtyy.

Ohjelma P12 on intervallityyppinen harjoitus, jossa voit asettaa harjoituksen aikana juostavan matkan pituuden tai keston, ja määrät itse maton nopeuden.

1. Paina SELECT-painiketta kunnes Rolling Hills-profiiliin (P12) merkkivalo palaa. Vahvista valintasi ENTER-painikkeella.
2. Aseta profiiliin matka / aika. Asetusarvosta toiseen siirryt SELECT-painikkeella. Voit muuttaa arvoa nuolipainikkeilla (raja-arvot 10 minuuttia (0:10) – 3 tuntia (3:00), muutokset 5 minuutin portain / 3 km – 42 km, muutokset 1 km portain).
3. Paina START-painiketta; harjoitus alkaa ja matto lähtee liikkeelle. Säädä nopeutta nopeudensäätöpainikkeiden avulla.
4. Kulmaprofiilia voit skaalata nuolipainikkeiden avulla.
5. Painamalla STOP-painiketta kerran, matto pysähtyy ja siirtyy 5 minuuttia kestäväan odotustilaan. Tämän ajan kuluessa voit jatkaa keskeytettyä harjoitusta painamalla START-painiketta. Painamalla kahdesti STOP-painiketta päätät harjoitusohjelman, jolloin mittari siirtyy käynnistystilaan.
6. Ohjelman päättyessä alkaa automaattinen jäähdyttelyvaihe, jonka päätteeksi matto pysähtyy.

HRC (sykeohjatut) ohjelmat P13-16 ovat vaativuustasoltaan eriasteisia harjoitusprofiileja, joissa voit asettaa harjoituksen keston. Sykeohjatut ohjelmat edellyttävät aina sykevyyden käyttöä. Mikäli sykemittaus ei toimi, tekstikentässä on virheilmoitus CHECK TRANSMITTER. Varmista tällöin, että olet noudattanut sykevyyden käytöstä annettuja ohjeita.

1. Paina SELECT-painiketta kunnes haluamasi ohjelman (P13-P16) merkkivalo palaa. Vahvista valintasi ENTER-painikkeella.
2. Valitse sykeohjausmalli nuolipainikkeilla. Vahvista valintasi ENTER-painikkeella.
3. Aseta ohjelman matka / aika. Asetusarvosta toiseen siirryt SELECT-painikkeella. Ohjelmalle viimeksi asetettu kesto näkyy mittarin tekstikentässä: voit käyttää suoraan tätä arvoa harjoituksen perustana. Voit muuttaa arvoa nuolipainikkeilla (raja-arvot 10 minuuttia (0:10) – 3 tuntia (3:00), muutokset 5 minuutin portain / 3 km – 42 km, muutokset 1 km portain). Vahvista valintasi ENTER-painikkeella.
4. Paina START-painiketta; harjoitus alkaa ja matto lähtee liikkeelle. Voit skaalata ohjelman syketasoa nuolipainikkeiden avulla 1 % portain ylös- ja alaspäin.

5. Painamalla nopeudensäätöpainikkeita voit asettaa juoksumaton käyttämän huippunopeuden.
6. Painamalla STOP-painiketta kerran, matto pysähtyy ja siirtyy 5 minuuttia kestävään odotustilaan. Tämän ajan kuluessa voit jatkaa keskeytettyä harjoitusta painamalla START-painiketta. Painamalla kahdesti STOP-painiketta päätät harjoitusohjelman, jolloin mittari siirtyy käynnistystilaan.
7. Ohjelman päättyessä alkaa automaattinen jäähdyttelyvaihe, jonka päätteeksi matto pysähtyy.

OHJELMIEN PROFILITIEDOT (profiilikuvat ovat takakannen kääntösivulla)

P4 (Track) perustuu manuaalitoimintoon, näytössä on 400 m rata kierros, ja aikasi mitataan jokaiselta kierrokselta. Profiili soveltuu erinomaisesti lajiharjoitteluun ja kilpailutoiminnaksi omia suorituksiasi vastaan. Säättämällä juoksualustan kulmaa voit simuloida ilmanvastusta.

P5 (5K Course). Ohjelman kiinteä pituus on 5 km. Ohjelman kulmaprofiili on valmis, nopeudensäätö tapahtuu manuaalisesti. Kulmaprofiili on skaalattavissa. Ohjelma sopii juoksijoille ja lajiharjoitteluun: 5 km on suosittu kilpamatka, joten ohjelmaa voi käyttää mainiosti oman suoritustason tarkkailuun. Valmisasetuksilla keskimääräinen kulma on 1,1 % ja huippukulma 3 %.

P6 (10K Course). Ohjelman kiinteä pituus on 10 km. Ohjelman kulmaprofiili on valmis, nopeudensäätö tapahtuu manuaalisesti. Kulmaprofiili on skaalattavissa. Ohjelma sopii juoksijoille ja lajiharjoitteluun: 10 km on suosittu kilpamatka, joten ohjelmaa voi käyttää mainiosti oman suoritustason tarkkailuun. Valmisasetuksilla keskimääräinen kulma on 0,875 % ja huippukulma 3 %.

P7 (15 Min Warm Up). Ohjelma perustuu sykeohjaustoimintoon. Ohjelman kiinteä pituus on 15 minuuttia, ja se on suunniteltu erityisesti lämmittelyohjelmaksi muita suorituksia varten. Valmisasetuksilla keskimääräinen syke on 113, huippusyke on 122.

P8 (30 Min Health). Ohjelma perustuu sykeohjaustoimintoon. Ohjelman kiinteä pituus on 30 minuuttia, ja se on suunniteltu aerobiseksi perusharjoitteeksi. Valmisasetuksilla keskimääräinen syke on 117, huippusyke on 126.

P9 (Hill Walk). Ohjelma perustuu säännöllisiin kulmanmuutoksiin ja melko tasaiseen, reippaaseen kävelyvauhtiin. Ohjelma sopii aloittelijoille sekä kävelyn harrastajille. Valmisasetuksilla keskimääräinen nopeus on 5,2 km/h ja huippunopeus 5,8 km/h, keskimääräinen kulma on 2,7 %.

P10 (Hill Jog). Ohjelma perustuu vaihteleviin kulmanmuutoksiin ja melko tasaiseen, kevyeen hölkkävauhtiin. Ohjelma sopii aloittelijoille sekä kunnon ylläpitoon. Valmisasetuksilla keskimääräinen

nopeus on 6,9 km/h ja huippunopeus 7,2 km/h, keskimääräinen kulma on 1,9 %.

P11 (Hill Run). Ohjelma perustuu tasaiseen ja vähäiseen kulmaan sekä tasaisesti vaihtelevaan reippaaseen juoksuvauhtiin. Ohjelma sopii juoksun harrastajille. Valmisasetuksilla keskimääräinen nopeus on 11,6 km/h ja huippunopeus 12,5 km/h, keskimääräinen kulma on 1,8 %.

P12 (Rolling Hills). Matkaprofiili: voit asettaa ohjelman pituuden kilometreinä, kulmamuoto pysyy samana eikä ole skaalattavissa. Ohjelma on kehitetty etenkin lajiharjoitteluun, mutta tuo vaihtelua myös kuntoharjoitteluun. Matkan maksimipituus on 42 km, valmisasetuksilla 3 km, säätö 1 km välein. Kulma-asetukset ovat intervallityyppisesti, keskimääräinen kulma on 2,4 %.

P13 (Fatburner 1). Matalatehoinen sykeohjelma, joka perustuu syketason tasaiseen nousuun ja laskuun. Ohjelma sopii painonhallintaan. Valmisasetuksilla keskimääräinen syke on 114, huippusyke 125.

P14 (Fatburner 2). Keskitehoinen sykeohjelma, joka perustuu syketason intervallityyppiseen nousuun ja laskuun. Ohjelma sopii kuntoharjoitteluun sekä painonhallintaan. Valmisasetuksilla keskimääräinen syke on 122, huippusyke on 136.

P15 (Cardio). Keskitehoinen sykeohjelma, joka perustuu syketason tasaiseen nousuun ja laskuun, syketaso pysyy lähes koko harjoituksen ajan 130-140 paikkeilla. Ohjelma sopii erinomaisesti kuntoharjoitteluun. Valmisasetuksilla keskimääräinen syke on 129, huippusyke 145.

P16 (Fit). Korkeatehoinen sykeohjelma, joka perustuu syketason tasaiseen nousuun ja laskuun, syketaso pysyy lähes koko harjoituksen ajan 135-145 paikkeilla. Ohjelma sopii hyväkuntoisten kuntoharjoitteluun ja kunnon kehittämiseen. Valmisasetuksilla keskimääräinen syke on 133, huippusyke 150.

HUOLTO

Laitteen käyttöturvallisuuden ylläpitäminen vaatii säännöllistä huoltoa ja mahdollisten toimintahäiriöitä aiheuttavien tekijöiden (osien kuluminen jne.) tarkkailua. Tarkista kerran vuodessa kaikkien kiinnitysruuvien ja muttereiden kireys. Mikäli jokin laitteen osa vikaantuu, osa tulee vaihtaa välittömästi. Laitetta ei saa käyttää ellei se ole täysin toimintakuntoinen.

JUOKSUMATON PUHDISTUS JA

HUOLTOVOITELU

HUOLTOVOITELUN LAIMINLYÖNTI VOI JOHTAA TAKUUN RAUKEAMISEEN

Puhdista käsitet ja käyttöliittymä pölystä ja liasta säännöllisesti hieman kostealla kankaalla. Älä käytä liuottimia. Puhdista juoksumaton rungon näkyvät osat (mm. matto, pohjalevy, reunalevyt)

pienuuttimisella imurilla säännöllisesti. Pidä myös juoksumaton ympäristö puhtaana. Käytössä juoksumatto kerää esim. pölyä, joka voi aiheuttaa ongelmia laitteen toiminnassa. Tavanomaisessa kotikäytössä (enimmäiskäyttöaika 1 tunti / päivä) juoksumaton voitelu tulee tarkistaa kerran kuukaudessa – matto tulee kuitenkin voidella vain silloin kun se on tarpeen. Vaativammassa käytössä voitelu tulee tarkistaa mainittua useammin. Helpointa tämä on tehdä ennen harjoituksen aloittamista. Tarkista voitelu seuraavasti:

1. Varmista että juoksumatto on irroitettu virtalähteestä. Astu laitteen maton päälle ja seiso tukevasti siinä kohtaa, jossa normaalisti juokset matolla.
2. Tartu poikittaiskäsitukeen ja työnnä mattoa jaloillasi edestakaisin. Maton tulee liukua pehmeän tasaisesti, ilman ääntä.
3. Mikäli matto liikkuu nykivästi tai ei lainkaan, tarkista onko pohjalevyn pinnassa voiteluainetta työntämällä kätesi maton alle. Voitele juoksualusta seuraavasti:

1. Kiinnitä voiteluputki T-Lube S -purkin nokkaan.
2. Aja juoksualusta maksimikulmaan.
3. Työnnä voiteluputki aluslevyn ja maton väliin etutelan viereen laitteen alapuolelta siten, että voiteluputken pää on maton keskikohdalla.
4. Ruiskuta voiteluainetta 2-3 sekunnin ajan.
5. Laske juoksualusta alas käyttöasentoon. Aloita harjoituksesi tai anna maton pyöriä vähintään 5 minuutin ajan.

TÄRKEÄÄ! Käytä pohjalevyn voiteluun vain Tunturin T-Lube S -voiteluainetta. T-Lube S -voiteluainetta sekä neuvoja juoksumaton huollosta ja voitelusta saat laitteesi myyjältä.

MATON KESKITTÄMINEN

Tarkkaile maton kulkua harjoittelusi aikana ja suorita alla esitetyt säätötoimet välittömästi, kun huomaat niihin tarvetta. Maton tulee kulkea laitteen keskellä. Keskittämistä ei yleensä tarvita, mikäli

- juoksumatto on tasaisella ja kovalla alustalla ja maton kireys on oikea ja
- matto on oikein keskitetty.

Esimerkiksi harjoittelijan epätasaisesta painonjakaumasta johtuen matto saattaa kuitenkin lähteä siirtymään kohti laitteen toista reunaa.

1. Säädä nopeudeksi 5 km/h.
2. Jos matto siirtyy kohti laitteen vasenta reunaa, käännä juoksumaton takareunassa olevaa vasemmanpuoleista säätöruuvia ¼ kierrosta myötäpäivään ja oikeanpuoleista säätöruuvia ¼ kierrosta vastapäivään. Jos matto siirtyy kohti laitteen oikeaa reunaa, käännä oikeanpuoleista säätöruuvia ¼ kierrosta myötäpäivään ja vasemmanpuoleista säätöruuvia ¼ kierrosta vastapäivään.
3. Säätö on riittävä, mikäli matto pysyy keskellä,

mutta jos matto jatkaa edelleen kulkemistaan kohti laitteen toista reunaa, jatka asteittaista säätämistä kunnes matto kulkee suoraan.

Mikäli maton annetaan kulkea pidemmän ajan vinossa siten, että jompikumpi maton reuna hankaa laitteen sivuja vasten, laitteen käytössä saattaa ilmetä häiriöitä. Laitteen takuu ei korvaa maton keskittämisen laiminlyömisestä johtuvia vikoja tai vaurioita.

MATON KIREYDEN SÄÄTÖ

Maton tulee olla niin löysällä kuin mahdollista. Mattoa pitää kuitenkin kiristää, jos se normaalikäytössä alkaa luistaa telan päällä. Kireyden säätö suoritetaan samoilla säätöruuveilla kuin keskittäminen. Mikäli matto ei kiristy säätöruuveista, ota yhteys laitteen myyjään.

1. Säädä nopeudeksi 5 km/h.
2. Kierrä molempia säätöruuveja myötäpäivään ¼ kierrosta.
3. Yritä hidastaa maton kulkua kävelemällä jarruttaen, ikään kuin kulkisit alamäkeen.

Mikäli matto luistaa edelleen, kierrä vielä ¼ kierrosta ja toista kokeilu. Hyvin voimakkaasti jarrutettaessa matto saa luistaa. Mikäli matto luistaa jatkuvasti säädöistä huolimatta, ota yhteys laitteen myyjään.

KÄYTTÖHÄIRIÖT

Jatkuvasta laaduntarkkailusta huolimatta laitteessa saattaa esiintyä yksittäisistä komponenteista johtuvia yksilövikoja tai toimintahäiriöitä. Koko laitteen toimittaminen korjattavaksi on yleensä tarpeetonta, sillä vika on useimmiten korjattavissa ko. osan vaihdolla. Mikäli laitteen toiminnassa ilmenee häiriöitä käytön aikana, ota välittömästi yhteys laitteen myyjään. Ilmoita laitteesi malli ja sarjanumero, sekä häiriön luonne, laitteen käyttöympäristö sekä ostopäivämäärä.

Mikäli juoksumatossasi ilmenee normaalista poikkeavia toimintoja, katkaise virta päävirtakatkaisimesta ja odota minuutin verran. Käynnistä tämän jälkeen matto ja totea onko virhetoiminta poistunut. Mikäli virhetoimintoa ei enää esiinny, laitetta voi käyttää normaalisti. Mikäli virhetoiminto ei ole poistunut, ota yhteys laitteen myyjään.

Mikäli tarvitset laitteeseesi varaosia, ota yhteys laitteen myyjään. Ilmoita aina laitteen malli, sarjanumero sekä tarvittavan osan varaosnumero. Varaosaluettelon löydät tämän oppaan lopusta. Laitteessa saa käyttää vain varaosalistassa mainittuja osia.

VIRHEKOODIT

SYSTEM CHECK FAILED - Mahdollinen moottorinohjaimen häiriö. Katkaise juoksumaton virta päävirtakatkaisimesta, odota minuutti ja käynnistä uudestaan. Mikäli virheilmoitus on poistunut, voit käyttää laitetta normaalisti. Mikäli

virheilmoitus ei poistu, ota yhteys laitteen myyjään.

SPEED SENSOR ERROR - Nopeussensorihäiriö. Ota yhteys laitteen myyjään.

MOTOR SPEED ERROR - Maton nopeudensäädön häiriö. Varmista että käytät laitetta oikein: älä työnnä mattoa. Katkaise juoksumaton virta päävirtakatkaisimesta, odota minuutti ja käynnistä uudestaan. Mikäli virheilmoitus on poistunut, voit käyttää laitetta normaalisti. Mikäli virheilmoitus ei poistu, ota yhteys laitteen myyjään.

MOTOR OVERLOAD - Moottorin ylikuormitus. Varmista että käytät laitetta oikein: älä jarruta mattoa. Varmista että maton voitelu on riittävä, tarvittaessa suorita huoltovoitelu. Katkaise juoksumaton virta päävirtakatkaisimesta, odota minuutti ja käynnistä uudestaan. Mikäli virheilmoitus on poistunut, voit käyttää laitetta normaalisti. Mikäli virheilmoitus ei poistu, ota yhteys laitteen myyjään.

LIFT MOTOR ERROR - Nostomoottorihäiriö. Ota yhteys laitteen myyjään.

LIFT MOTOR OVERLOAD - Nostomoottorin ylikuormitus. Varmista että käytät laitetta oikein: älä ylikuormita nostomoottoria jatkuvalla kulmasäädön muutoksella. Katkaise juoksumaton virta päävirtakatkaisimesta, odota minuutti ja käynnistä uudestaan. Käynnistettäessä matto suorittaa automaattisesti nostomoottorin kalibroinnin. Mikäli virheilmoitus on poistunut, voit käyttää laitetta normaalisti. Mikäli virheilmoitus ei poistu, ota yhteys laitteen myyjään.

HUOLTOILMOITUS

CHECK LUBRICATION. Varmista että maton voitelu on riittävä, suorita huoltovoitelu vain tarvittaessa. Poista ilmoitus painamalla ENTER-painiketta kahdesti.

KULJETUS JA SÄILYTYS

Siirrä juoksumattoa seuraavasti: kytke virta pois virtakytkimestä ja irroita verkkojohto virtalähteestä sekä juoksumatosta. Asetu laitteen taakse ja tartu laitteen takapäässä olevaan alumiiniprofiiliin. Nosta laitteen takapäätä niin että se nousee kuljetuspyörien varaan. Siirrä laite kuljetuspyörien varassa työntäen. Laske juoksualusta maahan varovasti.

TÄRKEÄÄ! Siirrä juoksumattoa erityisellä varovaisuudella lattian epätasaisuuksien, esim. kynnysten yli. Rapuissa mattoa tulee aina kantaa. Laitteen siirtäminen saattaa vahingoittaa joitakin lattiamateriaaleja, esim. puuparkettia. Suojaa lattia siirtäessäsi laitetta vahinkojen estämiseksi. Matto on tarvittaessa keskitettävä laitteen siirtämisen jälkeen.

Säilytä laite mahdollisimman kuivassa ja tasalämpöisessä paikassa pölyltä suojattuna. Irrota verkkopistoke jokaisen käyttökerran jälkeen.

TEKNISET TIEDOT

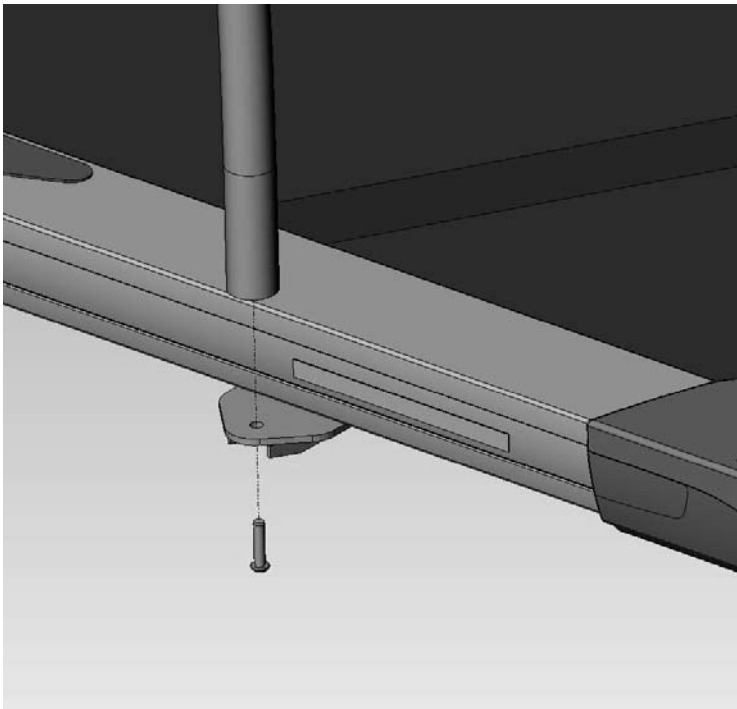
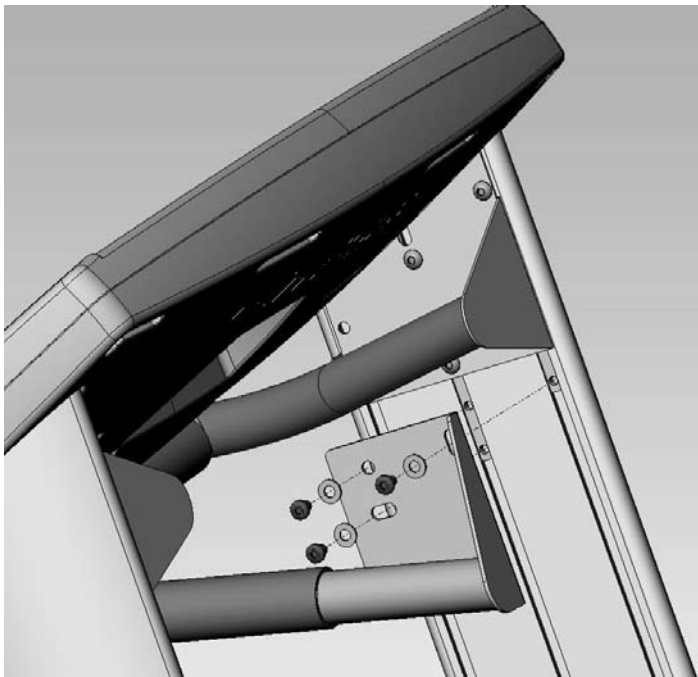
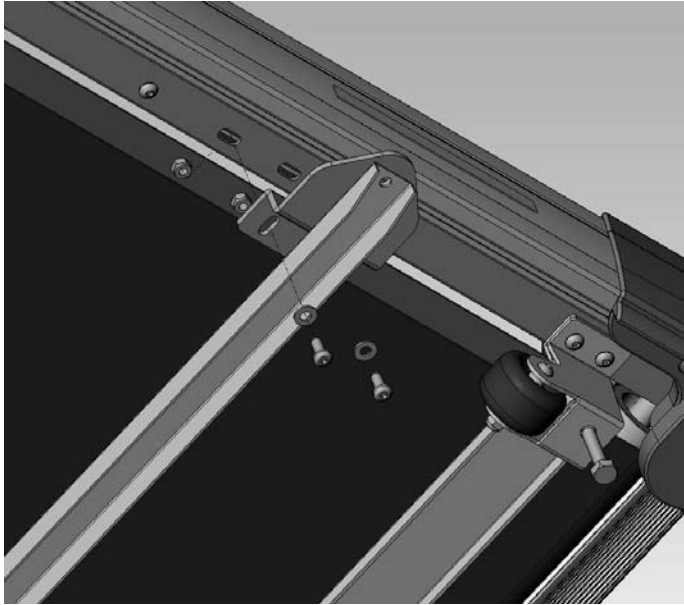
Pituus	214 cm
Korkeus	143 cm
Leveys	91 cm
Paino	126 kg
Juoksualusta.....	52 x 158 cm
Nopeus	0,3-18,0 km/h
Kulmansäätö	0-12 %
Moottoriteho	3,5 HV

Tunturi-laitteet täyttävät sähkömagneettista yhteensopivuutta koskevan EU:n EMC-direktiivin (89/336/EEC) sekä pienjännitedirektiivin (73/23/EEC) vaatimukset. Tuotteet on varustettu sen mukaisesti CE-merkinnällä. Tunturi-juoksumatot täyttävät CEN-tarkkuus- ja turvanormien vaatimukset (luokka SA, EN-957, osat 1 ja 6).

Jatkuvan tuotekehityksen vuoksi oikeudet muutoksiin pidätetään.

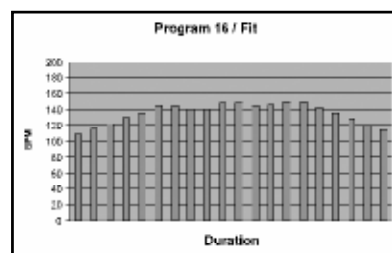
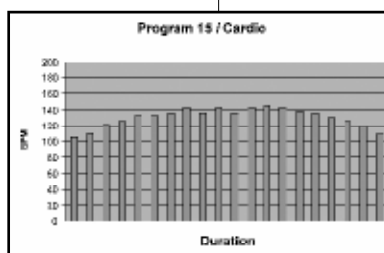
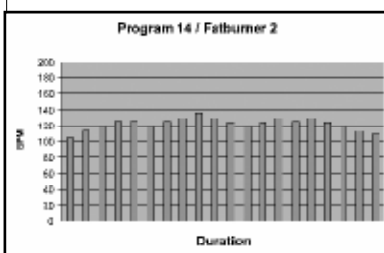
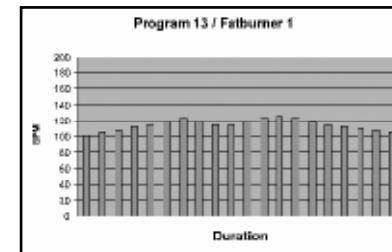
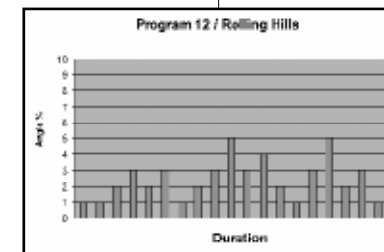
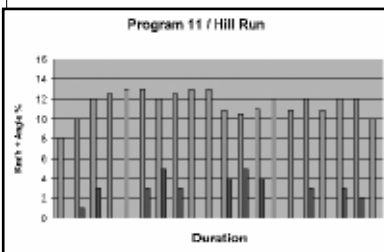
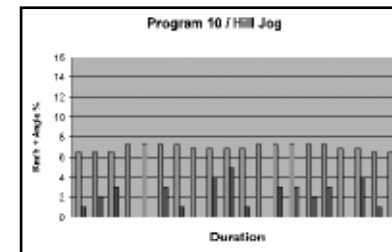
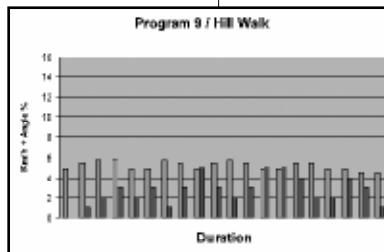
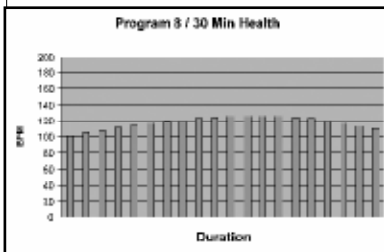
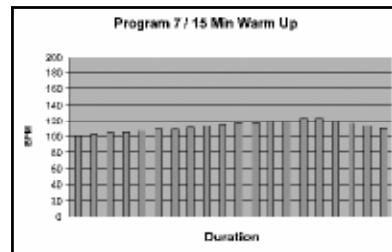
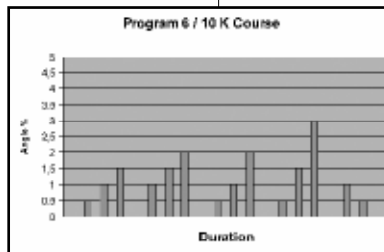
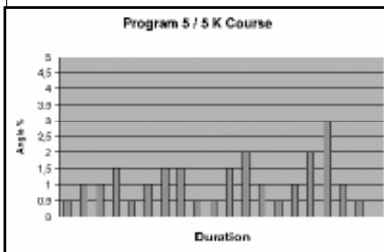
TÄRKEÄÄ! Tässä ohjekirjassa annettuja tietoja kuntolaitteen asennuksesta, käytöstä ja huollosta tulee noudattaa erittäin huolellisesti. Takuu ei korvaa vahinkoja, jotka ovat aiheutuneet tässä ohjekirjassa mainittujen asennus-, säätö- tai huoltotoimenpiteiden laiminlyönneistä. Mikäli asennus-, säätö- tai huoltotoimenpiteitä tehdään toisin kuin ohjekirjassa mainitaan tai laitteelle tehdään toimenpiteitä, joita Tunturi Oy Ltd ei nimenomaisesti ole hyväksynyt, laitetta ei tule käyttää!

Toivotamme Sinulle miellyttäviä harjoitushetkiä Tunturi-harjoituskumppanisi kanssa!

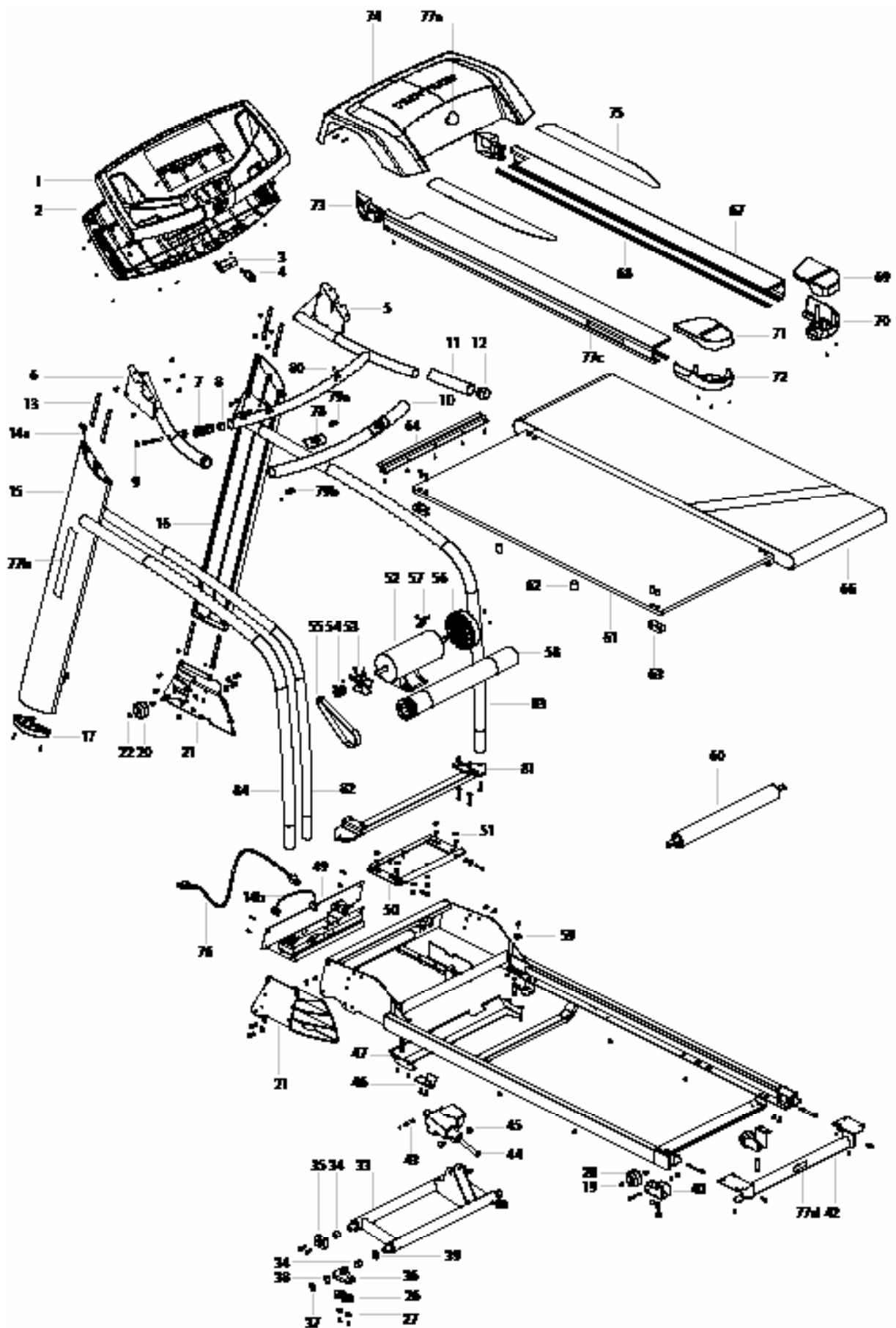




PROFILES



T90 REHAB



T90 REHAB

1	233 4061	User interface, (incl.2)	1	-	M8 DIN 934	Nut	2
-	KB 30x8 WN 1411	PT-Screw	20	-	M8 DIN 125A	Washer	1
2	173 4110	Lower cover	1	-	M8x35 DIN 933	Hex screw	2
-	KB 30x12 WN 1411	PT-Screw	18	52	813 4031	Motor, 3.0HP, (incl. 53, 54, 56)	1
-	M8 DIN 934	Nut	4	-	M8 DIN 985	Locking nut	4
3	403 4138	Safety switch	1	53	303 4005	Motor fan	1
*4	403 4055	Safety key	1	54	263 4007	Drive pulley	1
5	203 4090	Handlebar, R (incl.10 - 12)	1	-	M6x8 DIN 916	Locking screw	2
6	203 4089	Handlebar, L (incl. 11, 12)	1	55	443 4025	Drive belt	1
-	M8x12 ISO 7380	Head allen key screw	4	56	303 4010	Flywheel	1
7	503 4053	Handlebar bracket	2	-	M6x8 DIN 916	Locking screw	2
8	693 4005	Taper sleeve	1	57	403 4133	Sensor cable	1
-	M8x90 DIN 912	Head allen key screw	1	-	M4x8 DIN 7500 C	Screw	2
9	533 4091	Plug	2	58	523 4069	Front roller	1
10	213 4020	Handle grip	1	-	M8 DIN 125A	Washer	2
11	213 4021	Handle grip	2	-	M8x25 DIN 912	Head allen key screw	2
12	533 4084	Handlebar end cap	2	59	693 4004	Front roller guide	1
13	503 4058	Fastening bar	8	-	M6x16 DIN 912	Head allen key screw	4
-	M8x8 DIN 916	Locking screw	4	60	523 4049	Rear roller	1
*F-	M8x10 ISO 7380	Head allen key screw(*4 pcs)	8	-	M8x80 DIN 912	Head allen key screw	2
14	403 4135	Cable, set (incl. 14a, 14b)	1	61	433 4105	Running deck	1
15	203 4086	Main rail, L	1	-	M8x25 DIN 7991	Countersunk head screw	8
16	203 4087	Main rail, R	1	62	533 4079	Rubber bumper	4
17	173 4161	Main rail end cap, R	1	-	M8x10 ISO 7380	Head allen key screw	4
-	173 4162	Main rail end cap, L	1	63	643 4008	Leaf spring	4
-	M5x20 DIN 7500 C	Screw	4	-	M8x14 ISO 7380	Head allen key screw	4
19	523 4029	Sleeve	4	64	433 4079	Z-plate front	1
20	533 1029	Moving wheel	4	-	4,8x16 DIN 7981	Screw	5
21	503 4101	Rail bracket, R	1	-	4,8x16 DIN 7981	Screw	5
-	503 4100	Rail bracket, L	1	66	443 4062	Running belt	1
*A-	M8x12 ISO 7380	Head allen key screw	12	67	433 4052	Side landing, R	1
*B-	M10x25 ISO 7380	Head allen key bolt	4	-	433 4053	Side landing, L	1
*C-	M10 DIN 125A	Washer	4	68	683 4015	Rubber strip	2
*D-	M8x16 ISO 7380	Head allen key screw	2	69	173 4163	Right rear end cover, lower	1
*E-	M8 DIN 125A	Washer	2	70	173 4164	Right rear end cover, upper	1
22	673 500 88	Snap lock	2	71	173 4165	Left rear end cover lower	1
26	533 507 82	Stand foot	4	72	173 4166	Left rear end cover upper	1
27	653 236 83	Washer	4	-	KA 3,5x12 WN 1411	PT-Screw	8
-	M6x12 DIN 7991	Countersunk head screw	4	-	M4x12 DIN 7500 C	Screw	2
33	103 4102	Incline structure frame	1	73	533 4156	Frame end plug, R	1
34	523 4051	Plain bearing	4	-	533 4257	Frame end plug, L	1
35	523 4107	Bearing housing	2	-	4,2x13 DIN 7504-N	Screw	2
-	M8x20 DIN 912	Head allen key screw	4	74	173 4160	Motor cover	1
36	503 4082	Bracket	2	-	M5x16 DIN 7985	Screw	4
37	673 4004	Retainer ring, 20 mm	2	75	433 4046	Anti-slip mat, pair	1
38	653 1015	Plastic washer	2	76	403 4134 EU	Power cable	1
39	653 2002	Plastic washer	2	-	403 4134 USA	Power cable	1
40	503 4080	Bracket, R	1	-	403 4134 GB	Power cable	1
-	503 4081	Bracket, L	1	-	403 4134 ISR	Power cable	1
-	M8x14 ISO 7380	Head allen key screw	4	-	403 4134 SUI	Power cable	1
-	M10x45 ISO 7380	Head allen key bolt	2	77	423 4133	Lable set (incl. 77a - 77d)	1
-	M8x60 ISO 7380	Head allen key screw	2	78	403 4179	Handle pulse unit (incl. 79,80)	1
-	M8 DIN 125A	Washer	2	81	203 4093	Rehab support	1
-	M8 DIN 985	Locking nut	2	82	203 4091	Rehab handrail, L	1
42	103 4104	Rear roller cover	1	83	203 4092	Rehab handrail, R	1
-	M8x16 DIN 912	Head allen key screw	2	84	213 4020	Handle grip for rehab handrail	2
43	343 4008	Axle	1	-	KB 35x8 WN 1411	PT-screw	2
-	DIA 10 DIN 471	Retainer ring, 10 mm	2	*	553 4027	Assembly kit (incl *)	1
44	813 4035	Lift motor	1	*	556 031 00	Allen key wrench, 5mm	1
45	653 4057	Screw	2	-	556 0001	Allen key wrench, 6mm	1
46	693 4003	Guide	2	-	553 0017	Screw set	1
-	M8x14 ISO 7380	Head allen key screw	4	-	403 0044	T-Ware cable	1
47	433 4078	Front roller cover	1	-	453 203	Transmitter belt	1
-	M6x8 DIN 7985	Screw	4	-	423 9030	Label set	1
49	403 4198	Power board, 230V	1	-	583 4046	Owner's manual	1
-	403 4200	Power board, 110V	1	-	583 0006	Warranty booklet	1
-	M5 DIN 6798 I	Star washer	1				
-	M4x12 DIN 7500 C	Screw	2				
-	M5x16 DIN 7500 M	Screw	4				
50	103 4052	Motor bracket	1				
51	652 133 74	Washer	8				
-	M8x16 DIN 933	Hex screw	4				

TUNTURI®

Austria

Accell Fitness Österreich
Am Messendorfgrund 30
A-8042 Graz
Österreich
Tel: +43 316 716412
Fax: +43 316 716435

Benelux

Accell Fitness Benelux
Koningsbeltweg 51
1329 AE ALMERE
The Netherlands
Tel: +31 36 5460050
Fax: + 31 36 5460055

Finland

Accell Fitness Scandinavia
Varusmestarintie 26
20361 TURKU
Finland
Tel: +358 2513 31
Fax: +358 2513 313

Germany

Accell Fitness Deutschland
P/a Koningsbeltweg 51
1329 AE ALMERE
The Netherlands
Tel: +31 36 5460050
Fax: + 31 36 5460055

United Kingdom

Accell Fitness United Kingdom
Boland House
Nottingham South Industrial Estate
Ruddington Lane
Wilford
Nottingham NG11 7EP
United Kingdom
Tel: +44 115 9822844
Fax: +44 115 9817784

Sweden

Accell Fitness Scandinavia
Varusmestarintie 26
20361 TURKU
Finland
Tel: +358 2513 31
Fax: +358 2513 313

Switzerland

Accell Fitness Schweiz
Altgraben 31
CH-4624 Härlungen SD
Schweiz
Tel: +41 (0)62-3877979
Fax: +41 (0)62-3877970

USA / Canada

Accell Fitness North America Inc.
130 Hayward Ave, Suite 2
N2C 2E4
Kitchener, ON Canada
Tel. 1-888-388-6887
Fax: 1-519-576-2521

www.accellfitness.com

583 4046

Free Manuals Download Website

<http://myh66.com>

<http://usermanuals.us>

<http://www.somanuals.com>

<http://www.4manuals.cc>

<http://www.manual-lib.com>

<http://www.404manual.com>

<http://www.luxmanual.com>

<http://aubethermostatmanual.com>

Golf course search by state

<http://golfingnear.com>

Email search by domain

<http://emailbydomain.com>

Auto manuals search

<http://auto.somanuals.com>

TV manuals search

<http://tv.somanuals.com>