

The TurboChef 30"

SPECS AND DIMENSIONS

page 1 of 2

MODEL NUMBERS		30" DOUBLE WALL	30" SINGLE WALL
Voltage	208 VAC	TDO30 - * - 208	TSO30 - * - 208
	240 VAC	TDO30 - * - 240	TSO30 - * - 240

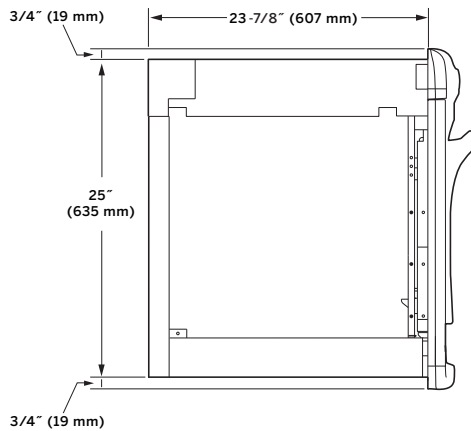
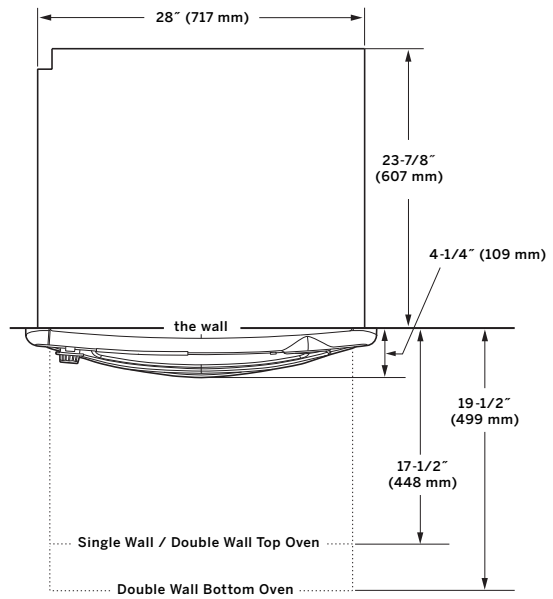
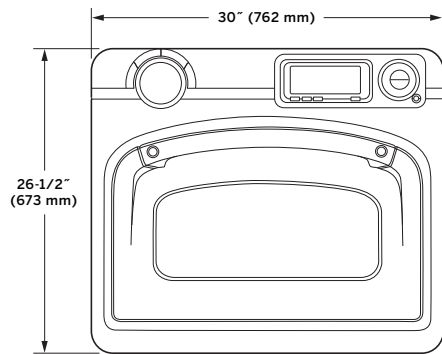
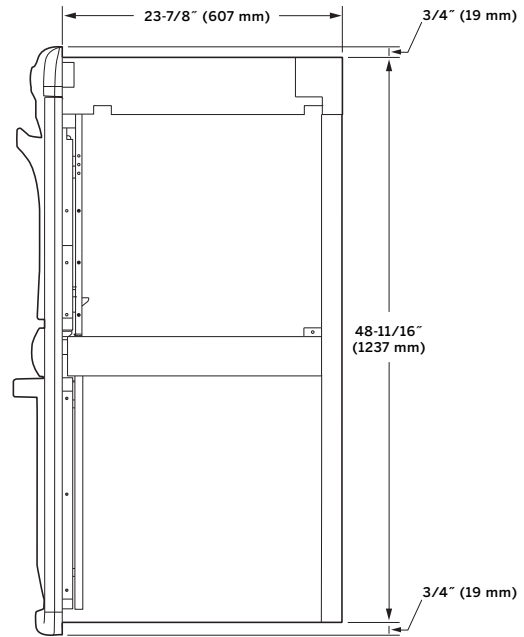
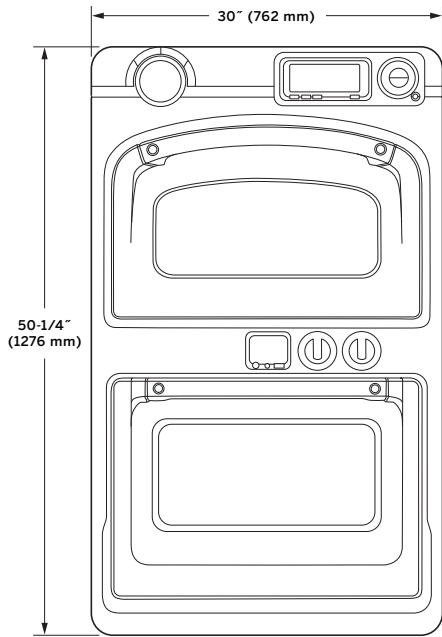
DIMENSIONS			
Overall Oven	Height	50 ¼" (1276)	26 ½" (673)
	Width	30" (762)	30" (762)
	Depth	23 ⅞" (607)	23 ⅞" (607)
	Depth from Wall	4 ¼" (108)	4 ¼" (108)
	with top door open	17 ½" (445)	17 ½" (445)
	with bottom door open	19 ½" (495)	n/a
	Weight	410 lbs. (186 kg.)	230 lbs. (105 kg.)
Top Oven Cavity	Height	12" (305)	12" (305)
	Width	24" (610)	24" (610)
	Depth	15" (381)	15" (381)
	Cooking Space	2 ½ cu. ft.	2 ½ cu. ft.
Bottom Oven Cavity	Height	15 ½" (394)	n/a
	Width	24" (610)	n/a
	Depth	17 ½" (445)	n/a
	Cooking Space	3 ¾ cu. ft.	n/a

ELECTRICAL SPECIFICATIONS			
Electrical Supply	Phase	Single	Single
Requirements	Frequency	60 Hz	60 Hz
	Current	50 Amp	30 Amp
	Cord	4-wire (inc. ground)	4-wire (inc. ground)
	Voltage (VAC)	208 (TDO30 - * - 208)	208 (TSO30 - * - 208)
		240 (TDO30 - * - 240)	240 (TSO30 - * - 240)
Connection (see note 3)		5 ½ foot flex conduit	5 ½ foot flex conduit
Total Connected Power (see note 4)		50 Amps	30 Amps

NOTE:

1. "*" Indicates a two letter code – OR, RD, BU, CH, IV, WH, or SS – which refers to the oven door color.
2. Dimensions in parentheses are in millimeters unless otherwise noted.
3. Unit includes a 5 ½ foot flex conduit to be used between the oven and conduit box. Connectors are supplied by installation electrician.
4. Branch circuit must be protected with a 50 Amp (Double Wall Oven) or 30 Amp (Single Wall Oven) over-current protector.
5. See back of this page for illustrations.

Specifications are subject to change without notice.



The TurboChef 30"

SPECS AND DIMENSIONS

page 2 of 2

INCLUDED ACCESSORIES

- 1 oven rack for the top Speedcook oven
- 2 oven racks (1 standard/1 roller) for the bottom oven (Double Wall Oven Only)
- Meat probe for the bottom oven (Double Wall Oven Only)
- TurboChef Cookbook

TOP OVEN DOOR FINISHES & COLORS

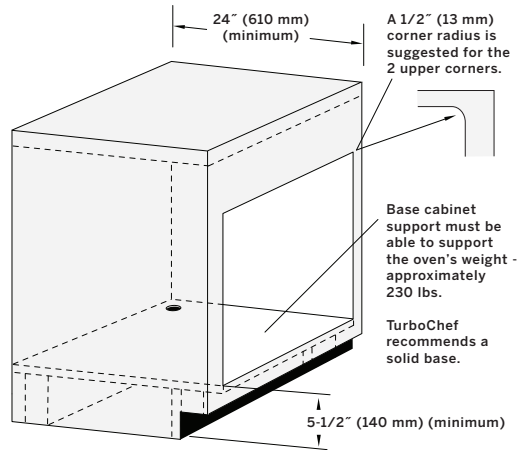
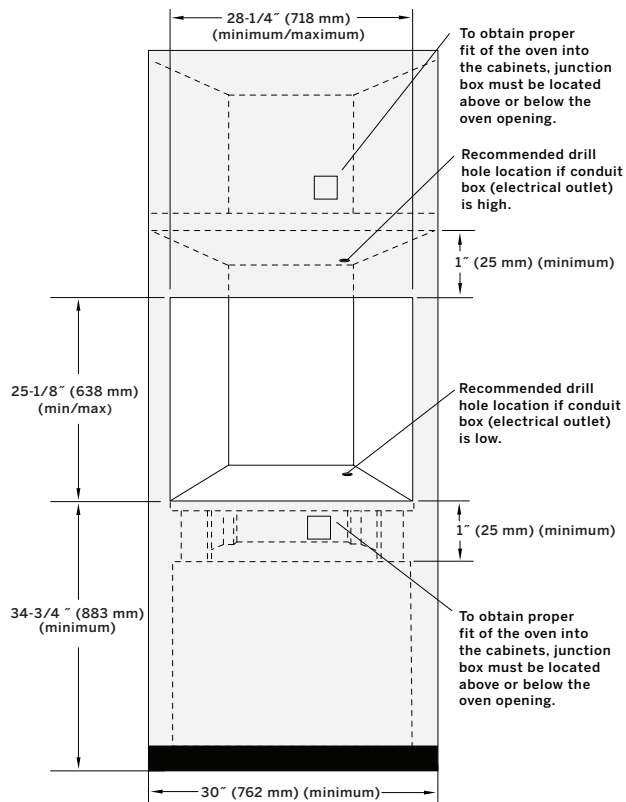
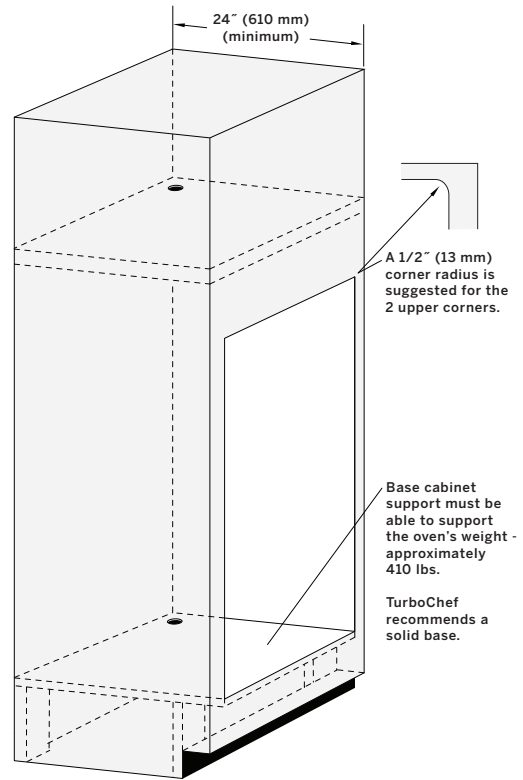
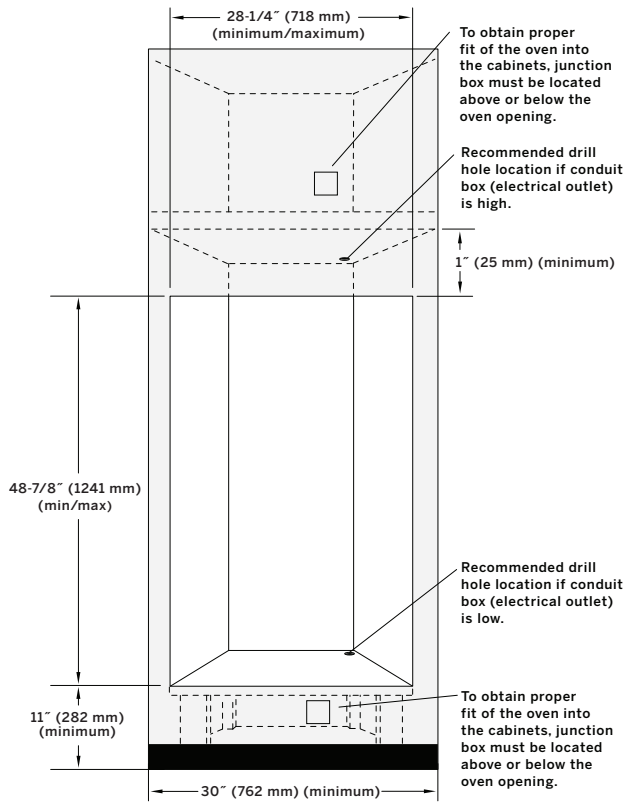
All colored doors are a powered coated enamel with a semi-gloss finish. Stainless steel doors match the stainless steel oven chassis.



CABINET DIMENSIONS		30" DOUBLE WALL	30" SINGLE WALL
Cabinet	Width (min)	30" (762)	30" (762)
	Wood Fascia Thickness (min)	3/8" (10)	3/8" (10)
Rough Wall Opening	Height (min/max)	48 7/8" (1241)	25 1/8" (638)
	Width (min/max)	28 1/2" (726)	28 1/2" (726)
	Upper Corner Radius (preferred)	1/2" (13)	1/2" (13)
	Depth (min)	24" (610)	24" (610)
Cabinet Base Height	Wall Installations (min)	11" (279)	34 3/4" (883)
	Wall Installations (max)	15" (381)	38 3/4" (984)
	Under Counter Installations (min)	n/a	5 1/2" (139)

NOTE:

1. Dimensions in parentheses are in millimeters unless otherwise noted.
2. Failure to adhere to the Rough Wall Opening specs may cause corners of the cabinet opening to be exposed.
3. Due to the oven frame's overall depth the power supply line location shown in the illustrations on the following page (high or low conduit box) must be adhered to in order to obtain a proper fit in the cabinet.
4. Cabinet base must be built to support the oven's weight. TurboChef strongly recommends a solid base.
5. The oven utilizes ambient air from the kitchen to assist in keeping the operational components cool. This air is drawn in through the top control panel area through openings in the top access panel and exhausted through an opening at the base of the oven. Please allow a minimum clearance above and below these areas.



PLEASE NOTE:
Single wall ovens installed under a counter, require a low conduit box (electrical outlet).

All specifications are subject to change without notice.

Free Manuals Download Website

<http://myh66.com>

<http://usermanuals.us>

<http://www.somanuals.com>

<http://www.4manuals.cc>

<http://www.manual-lib.com>

<http://www.404manual.com>

<http://www.luxmanual.com>

<http://aubethermostatmanual.com>

Golf course search by state

<http://golfingnear.com>

Email search by domain

<http://emailbydomain.com>

Auto manuals search

<http://auto.somanuals.com>

TV manuals search

<http://tv.somanuals.com>