

Models covered by this Quick Start Guide

TXD-081, TXD-121, TXD-151, TXD-252, TXD-12M, TXD-15M, TXD-115, TXD-215, TXD-118, TXD-218.

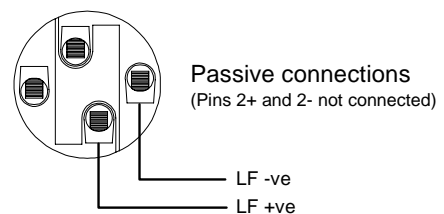
Thank you for choosing a TURBOSOUND TXD series loudspeaker product for your application. If you would like further information about this or any other TURBOSOUND product, please contact us. A detailed user manual on this product is available on our web site at www.turbosound.com

Unpacking the TXD series loudspeaker

After unpacking the unit please check carefully for damage. If damage is found, please notify your supplier at once. You, the consignee, must instigate any claim. Please retain all packaging in case of future re-shipment.

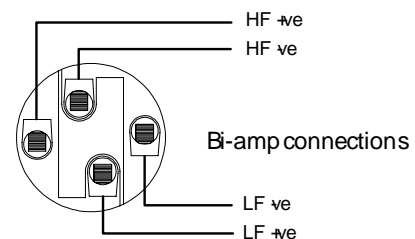
System Requirements – Passive Models

TXD series loudspeakers, with the exception of the TXD-252 and TXD-15M, are passive systems, and require only one amplifier channel for correct operation, the frequency splitting between the LF driver and the HF driver being accomplished by the internal passive crossover network built into each enclosure. These models are equipped with Neutrik Speakon NL4MP connectors for both input and parallel connections. Pins 2+ and 2- are not used for passive connections. Always observe the correct polarity as shown.



System Requirements – Bi-amped Models

The TXD-252 and TXD-15M are switchable passive/bi-amp systems, and when used in bi-amp mode require two amplifier channels and an external electronic crossover for correct operation. These models are equipped with a single switchable Neutrik Speakon NL4MD-V-S connector (in addition to two regular NL4MP connectors for passive mode), with pins 1+ and 1- being used for the low frequency amplifier and pins 2+ and 2- for the high frequency amplifier. Always observe the correct polarity as shown.



Using Passive Loudspeakers with Subwoofers

TXD series subwoofers are equipped with internal passive crossover networks which enable a system of, for example, TXD-121 and TXD-115 units to be configured together as a full-range system without the need for external electronic crossovers or additional power amplifiers. The subwoofer's internal crossover filters high frequency signals out of the subwoofer cabinet to ensure a clean transition.

Amplifier considerations

TXD speaker enclosures should be driven by high quality power amplifiers designed for true professional use. Amplifiers should be capable of delivering long term broadband power **equal to the loudspeaker's program power rating at the stated nominal impedance**. Always operate your power amplifiers at maximum gain for the best headroom and signal/noise ratio, controlling the overall system volume from the mixing console. The use of under-powered amplifiers must be avoided as heavily clipped signals can cause permanent loudspeaker damage.

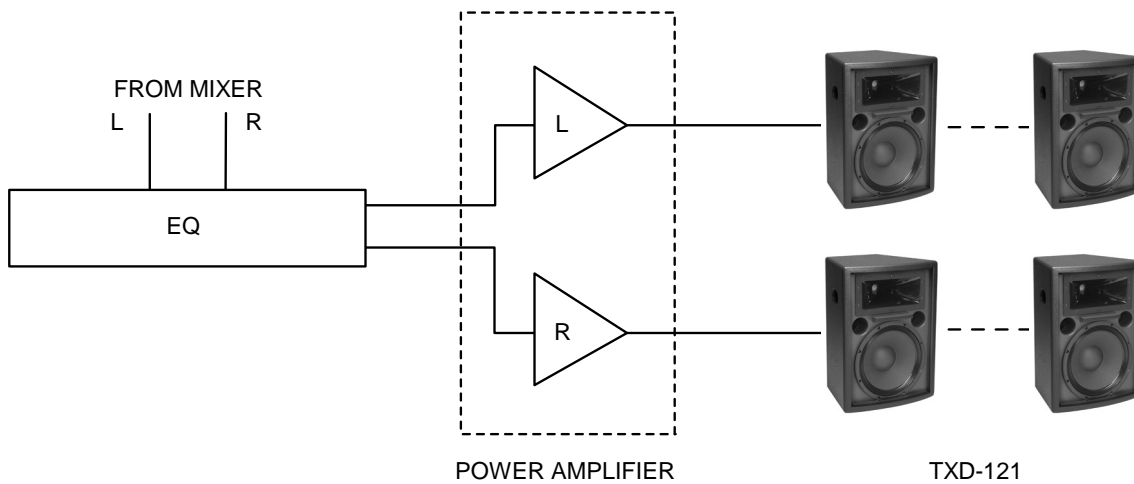
RECOMMENDED AMPLIFIER POWER RATING

The amplifier's rated r.m.s. continuous power output (20Hz – 20kHz, each channel) should be equal to the loudspeaker's program power handling at its nominal impedance.

System Controllers

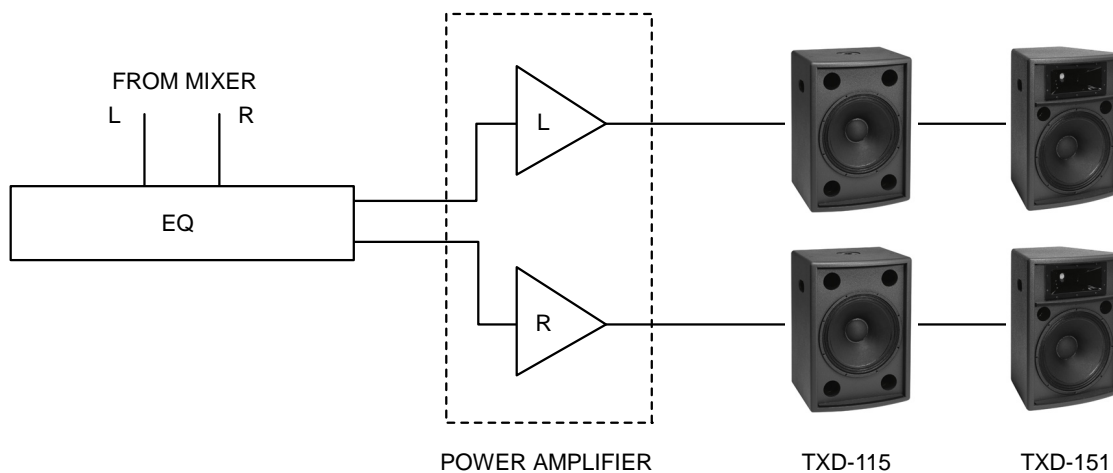
The Turbosound LMS-D24 is a high quality 2-in, 4-out digital crossover designed and pre-configured for use with TXD loudspeakers. This enables you to assemble sound reinforcement systems ranging from a simple two-channel live performance rig or monitor system up to a multi-zone nightclub or entertainment venue.

Passive systems without sub-bass



Connect the left and right mixer outputs, via a graphic equaliser if required, to one channel each of a stereo power amplifier. Connect a TXD speaker to each amplifier channel with suitable speaker cable terminated with a Speakon NL4 connector. A second TXD speaker (shown with a dotted line) can be connected to each amplifier channel via the loudspeaker's parallel link connector up to a maximum of two per channel.

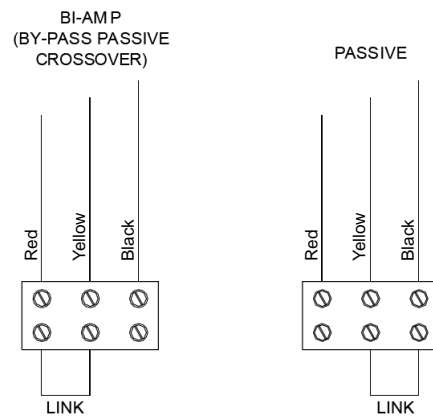
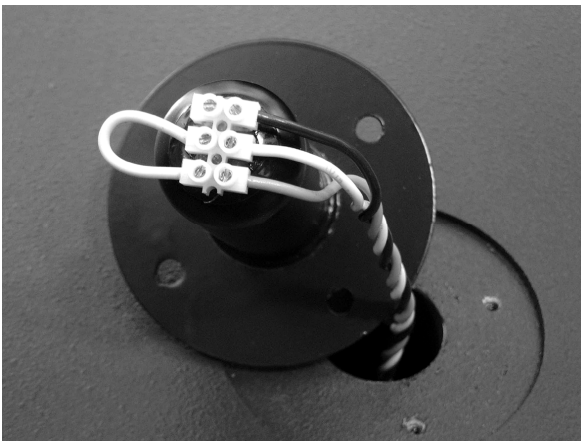
Passive systems with sub-bass



Low frequency enclosures can be used to extend system low frequency response, without the need for additional amplifier channels or external electronic crossovers. A full range system consisting of, for example, TXD-151 and TXD-115 enclosures can be powered from a single stereo power amplifier as shown. Connect first to the bass cabinets and then link out to the top cabinets via the parallel link connector.

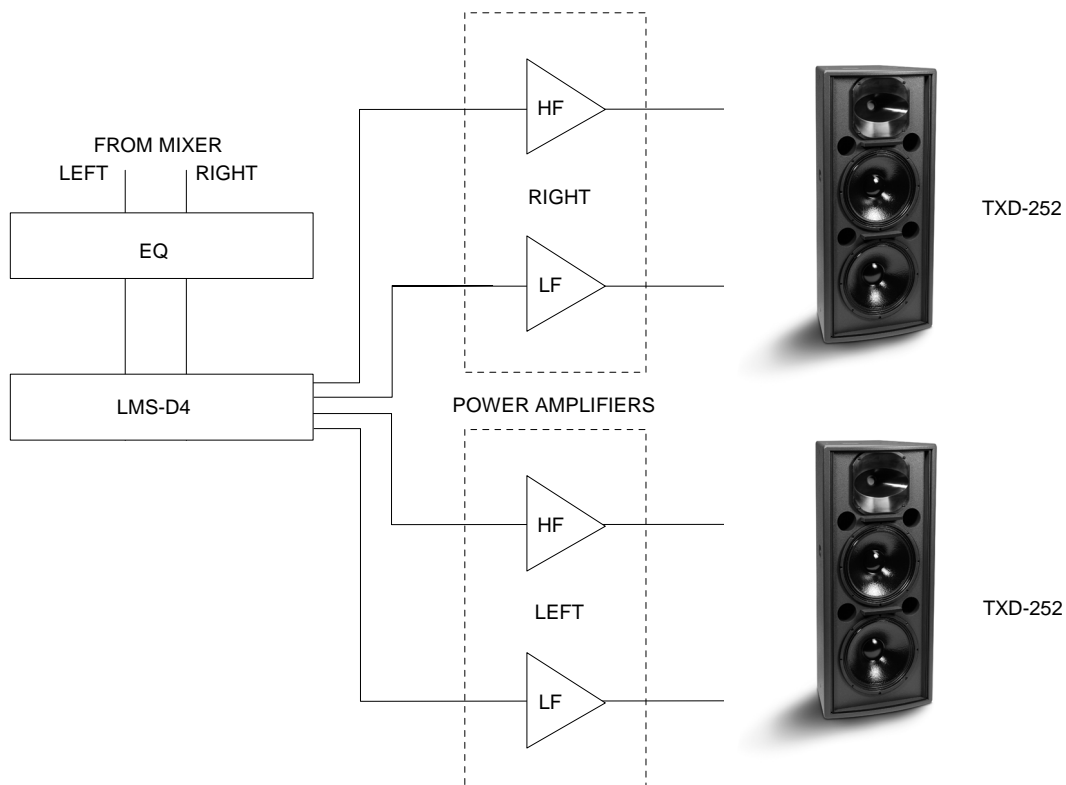
Using Passive Speakers with Subwoofers in Bi-amplified Mode

TXD series two-way loudspeakers can also be operated in bi-amplified mode together with any of the available subwoofer enclosures. An external 2-in, 4-out crossover such as the LMS-D24 is required with a crossover frequency of 125Hz, 24dB/octave slope, Linkwitz-Riley. To operate TXD systems in bi-amplified mode, it is necessary to by-pass the internal passive crossover in the bass cabinet. To do this, undo the four screws holding the pole mount socket in place, and firmly pull the pole mount out of the cabinet together with the passive crossover selection wiring. In the case of the TXD-215 and the TXD-218, remove the lower side pole mount. To by-pass the internal passive crossover, remove the yellow link wire from the red and connect it to the black as shown in the diagram, and replace the pole mount in the cabinet.



Bi-amplified Systems

TXD-252 and TXD-15M loudspeakers can be operated in bi-amp mode, using two separate amplifiers and an external electronic crossover such as the LMS-D24.



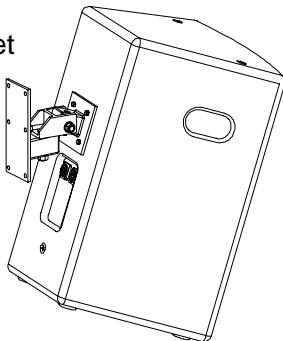
Mounting and Fixing

TXD series cabinets are equipped with pole mount sockets to enable use with a range of speaker poles of different lengths. TXD series cabinets can be rigged in permanent installations using optional M10 shoulder eyebolts coupled to the internal rigging points provided on the top and back. Remove the appropriate M10 countersunk screws and replace them with M10 eyebolts, which must have a thread length of at least 18mm. Use the rear rigging point to angle the cabinet for optimum room coverage.

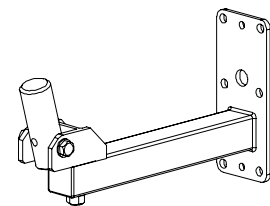
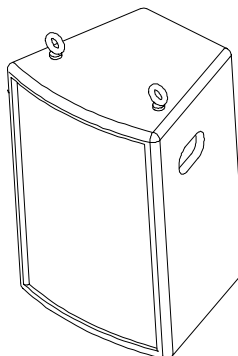
Turbosound wall and ceiling brackets are available as options for installing TXD series cabinets. The PB-55 pole bracket can be used to wall mount all types of cabinets fitted with a pole mount socket.

Model	Wall Mount	Ceiling Mount	Pole Mount	Eyebolts
TXD-081	WB-20	CB-55	PB-55	M10
TXD-121	WB-20	CB-55	PB-55	M10
TXD-151	WB-20	CB-55	PB-55	M10

WB-20
wall bracket



M10 eyebolts



PB-55 pole bracket

Spares and Accessories

CD-111 / RD-111	Compression driver / diaphragm for TXD-081, TXD-121, TXD-12M, TXD-151
CD-212 / RD-212	Compression driver / diaphragm for TXD-15M, TXD-252
LS-1219 / RC-1219	12" low frequency loudspeaker / recone kit for TXD-121, TXD-12M
LS-1521 / RC-1521	15" low frequency loudspeaker / recone kit for TXD-151, TXD-15M
LS-1522 / RC-1522	15" low frequency loudspeaker / recone kit for TXD-252
LS-1523 / RC-1523	15" low frequency loudspeaker / recone kit for TXD-115, TXD-215
LS-1811 / RC-1811	18" low frequency loudspeaker / recone kit for TXD-118, TXD-218
LS-8010	8" low frequency loudspeaker for TXD-081

Free Manuals Download Website

<http://myh66.com>

<http://usermanuals.us>

<http://www.somanuals.com>

<http://www.4manuals.cc>

<http://www.manual-lib.com>

<http://www.404manual.com>

<http://www.luxmanual.com>

<http://aubethermostatmanual.com>

Golf course search by state

<http://golfingnear.com>

Email search by domain

<http://emailbydomain.com>

Auto manuals search

<http://auto.somanuals.com>

TV manuals search

<http://tv.somanuals.com>