



## 92136-0920 TMH™ Flex Pak™ Battery Pack & Charger

*The WAIT is OVER. The FLASH CHARGE™ power system charges 8 TIMES FASTER! Conventional chargers take 4 HOURS to charge your R/C battery. The FLASH CHARGE™ system charges in about 30 MINUTES! It's BREAKTHROUGH TECHNOLOGY that works with ALL TMH™ powered R/C vehicles.\**

*\* Please see FLASH CHARGE COMPATIBILITY on page 2.*

- Your vehicle's running time will vary depending on its power consumption (and your driving style). A high-performance vehicle driven at full speed, with frequent turns and stunts, will give the shortest running time between charges. For maximum performance, please read all instructions before operating.*
- Pick up extra batteries for non-stop action! With one in your car and one in the charger, it's practically "perpetual motion!"*

### TO CHARGE THE BATTERY PACK, PLEASE FOLLOW THESE INSTRUCTIONS:

1. Plug the charger into standard wall outlet.
2. Raise the charger door as shown.
3. Hold the battery pack fully open, with the metal contacts at the top, as shown. The labels marked 1 and 2 in the upper left-hand corner should be facing you. Now slide the battery pack securely into the charger, make sure the battery pack is fully inserted into charger.
4. Close the charger door. Clicking the charger door shut begins the charging process; the battery pack cannot be charged with the charger door open. The red LED will light to show that charging is in progress.
5. The charging process will take approximately 30 minutes. Charging is complete when the green charger LED lights.
6. After charging, remove the battery pack as follows. Raise the charger door. Press the two release buttons at the same time and slide the battery pack out of the charger.
7. After charging, the battery may feel warm. This is normal for fully charged batteries.
8. Never attempt to recharge a hot battery. Allow a hot battery to cool down before recharging.
9. Unplug charger when not in use.



Your Flash Charge charger features an exclusive dual-LED status monitor. Whenever the charger is plugged in and a battery pack is inserted, the LEDs will indicate battery charging status.

Solid red LED: charging in progress.  
Solid green LED: charging complete.



Blinking LEDs may indicate a problem with the charger or the battery pack.

**CAUTION-ELECTRIC TOY:**  
NOT RECOMMENDED FOR CHILDREN UNDER 8 YEARS OF AGE. AS WITH ALL ELECTRIC PRODUCTS, PRECAUTIONS SHOULD BE OBSERVED DURING HANDLING AND USE TO PREVENT ELECTRIC SHOCK. INPUT:  
OUTPUT:

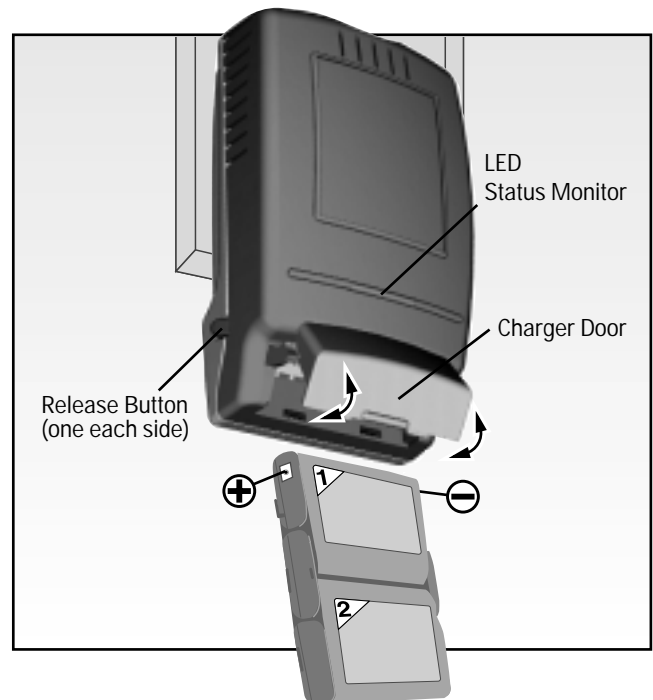


**TYCO® R/C  
CONSUMER AFFAIRS  
WE CARE!**

If you have questions or difficulty operating this vehicle, **DO NOT RETURN IT TO THE STORE!** Call Toll-Free 1-888-557-TYCO (1-888-557-8926) for **EXPERT** technical help and **RAPID** parts and service assistance.

[www.tycorc.com](http://www.tycorc.com)

Keep these instructions for future reference: they contain important information.



Blinking red charger LED: the battery pack can't be charged right now (too hot, too cold or overly "run down" between charges). Leave the battery pack in the charger and the charger plugged in. Within 30 minutes the LED should change to solid red, and normal charging should begin. If not, please call the TYCO® R/C Consumer Affairs toll-free number for assistance.

Blinking green charger LED: the battery pack did not accept a "full" charge (too cold, too old or already charged). The battery pack may be used. Follow normal charging procedure after use.

Slowly blinking red and green charger LEDs: possible charger problem (too hot, too cold, moisture in charger, etc.). Unplug the charger and remove the battery pack. Leave the charger inside at room temperature for 30 minutes. Try charging again. If the problem persists, please call the TYCO® R/C Consumer Affairs toll-free number for assistance.

Quickly blinking red and green charger LEDs: battery pack contacts may be dirty. Remove the battery pack and clean the metal contacts with a clean dry cloth. Try charging again. If the problem persists, please call the TYCO® R/C Consumer Affairs toll-free number for assistance.

## TIPS & HINTS

- Your vehicle's running time may be slightly shorter than normal the first two times you use a new Flash Charge battery pack. Subsequent charges will provide full vehicle running time.
- A single charge cycle is all that is required to charge the battery pack. Do not attempt to charge the battery pack further following completion of the charging process.
- The charger is designed to operate in normal room temperatures. Do not use the charger in temperatures below 60° F (15° C) or above 95° F (35° C).
- Unlike alkaline batteries, whose power loss is gradual, a NiCd (Nickel-Cadmium) battery will run for its normal running time, depending on your particular vehicle, and then lose most of its power at once. It is time to recharge the battery pack.
- If you don't use your battery for a long period (more than 14 months), damage to the battery may occur. To avoid this, the battery should be fully charged at least once every 12 months.

## FLASH CHARGE™ COMPATIBILITY

The Flash Charge power system uses exclusive technology to deliver a full charge in approximately 30 minutes. For this reason, there are some important things to know about battery and vehicle compatibility.

- The Flash Charge battery pack is fully compatible with ALL TMH™ powered R/C vehicles, old AND new. It will not work in any 6.0V or 9.6V NiCd powered vehicles.
- The Flash Charge power system is NOT compatible with existing conventional TMH battery packs ONLY Flash Charge branded Flex Pak™ battery packs can be charged in the Flash Charge charger. To charge existing conventional 6.0V NiCd battery packs, please use the TYCO® R/C conventional TMH charger.

- The Flash Charge power system is designed for use ONLY with TYCO® R/C Flash Charge branded battery packs. DO NOT attempt to use the Flash Charge charger with competitors' battery packs.
- Flash Charge branded battery packs can be safely charged in the existing conventional TYCO® R/C TMH charger. However, the charging process will require that charger's normal 4 hour charge time, rather than the 30 minute charge time provided by the Flash Charge power system.

## CAUTIONS:

- DO NOT RECHARGE BATTERY PACK IF IT'S HOT. ALLOW IT TO COOL BEFORE RECHARGING.
- DO NOT CHARGE A BATTERY PACK THAT SHOWS LEAKAGE OR CORROSION.
- DO NOT DISASSEMBLE THE BATTERY PACK. THE BATTERY PACK IS A SEALED NiMH (NICKEL-METAL HYDRIDE) BATTERY.
- DO NOT DISPOSE OF THE BATTERY PACK IN FIRE.
- EXERCISE CAUTION IN HANDLING A HOT BATTERY PACK.
- IF BATTERY PACK AND/OR CHARGER ARE WET, THOROUGHLY DRY BEFORE CHARGING.

## SPECIAL NOTE TO ADULTS:

- This product is age-graded for ages 8 and over; it should be operated in the presence of children under age 8 only with adult supervision.
- Regularly examine for damage to the plug, enclosure and other parts. In the event of any damage, the toy must not be used with the transformer until the damage has been repaired.
- This toy is not intended for children under 3 years old. The transformer is not a toy.



Unlike NiCd (Nickel-Cadmium) rechargeable batteries, your **TMH™ FlexPak™** battery pack requires no special procedures or precautions for disposal. However, as with all products, you should dispose of your battery pack in an environmentally responsible and considerate manner.

Here are our answers to some of the questions our customers ask most often.

Take a second to read them over. Maybe the answer to **your** question is here.



### OTHER QUESTIONS?

CALL OUR TOLL-FREE NUMBER. WE'LL BE GLAD TO HELP.

## FREQUENTLY ASKED QUESTIONS

FREQUENTLY ASKED QUESTIONS	ANSWERS!
Can I leave my charger plugged in all the time?	Just as a matter of basic electrical safety, we don't recommend this practice.
Can I charge my battery pack for less than the full charge time?	You can interrupt the charging process at any time by raising the charger door. Although you can do this occasionally without harm to the battery pack, we don't recommend it as a routine practice. Please note that interrupting the charging process will reset the charger's timer.
Can I recharge my battery pack before it's fully discharged?	We discourage this practice. Although it poses no safety hazard, it may significantly reduce battery pack life.
How will I know if my battery pack is "wearing out"?	After many, many uses, the battery pack's average running time will start to decrease: it's nearing the end of its life.
How long will a fully-charged battery pack hold its charge if I'm not actually using it?	At room temperature, the battery pack will hold its charge for a good while; at warmer temperatures, it will discharge more quickly. For gift giving, you can certainly charge your battery pack a day or so beforehand and wrap the battery pack and vehicle together. That way the fun can start right away!
If I'm going to store my battery pack for a long time, should I put it away charged or discharged?	From the standpoint of electrical safety, we recommend storing the battery pack in a discharged condition.

## WARRANTY

### TYCO® R/C 90-DAY LIMITED WARRANTY: Battery Pack/Battery Pack and Charger

Mattel, Inc. (the "Guarantor") warrants this Battery Pack/Battery Pack and Charger (the "Product") to be free from defects in material and workmanship for a period of ninety (90) days from the date of purchase. Guarantor will repair or replace the Product (at its sole option) if any such defect should appear within the period of this warranty. This warranty applies only to the original purchaser. PLEASE RETAIN YOUR ORIGINAL DATED PURCHASE RECEIPT.

#### RETURN PROCEDURE

In the event of such a defect occurring within the period of this warranty, DO NOT RETURN THE PRODUCT TO THE STORE. Instead, please call the TYCO® R/C toll-free number listed below. Many problems can be solved in this manner. If necessary, you will be given an authorization number to return the Product, postage prepaid insured, to the TYCO® R/C Consumer Affairs Department (please see address below). Enclose your name and address, your dated receipt, and an explanation of the defect. If the defect is covered by this warranty, replacement will be FREE OF CHARGE (less shipping and handling costs). Please do not send products without authorization; delays in service will result.

#### NOT COVERED UNDER WARRANTY

This warranty covers normal use and does not cover the Product if it has been damaged by unreasonable use, neglect, accident, abuse, misuse, improper service or other causes not arising out of defects in materials or workmanship. Failure to furnish an original dated purchase receipt may result in the Product not being covered by this warranty.

#### LIMITATIONS AND EXCLUSIONS

The Guarantor's sole and exclusive liability for defects in material and workmanship shall be limited to repair or replacement of the Product (at its sole option), and the Guarantor shall not be liable for incidental, consequential, or contingent damages (except in those states that do not allow this exclusion or limitation). This warranty is exclusive, and is made in lieu of any other express or implied warranty. This warranty gives you specific legal rights. You may have other rights which vary from state to state. This warranty (and toll-free number) valid in the U.S.A. only.

TOLL-FREE 1-888-557-TYCO (1-888-557-8926)

Call between 8:00 a.m.-5:00 p.m. Eastern Standard Time, Monday-Friday.

Expect some delay in January following the holiday season. Please be patient and keep trying the toll-free number.

CONSUMER AFFAIRS DEPARTMENT

636 Girard Avenue  
East Aurora, NY 14052

## Free Manuals Download Website

<http://myh66.com>

<http://usermanuals.us>

<http://www.somanuals.com>

<http://www.4manuals.cc>

<http://www.manual-lib.com>

<http://www.404manual.com>

<http://www.luxmanual.com>

<http://aubethermostatmanual.com>

Golf course search by state

<http://golfingnear.com>

Email search by domain

<http://emailbydomain.com>

Auto manuals search

<http://auto.somanuals.com>

TV manuals search

<http://tv.somanuals.com>