

TYLER

A^{series} Advantage

Installation & Service Manual



N5D, N5DH, N5DL, N5DSC

NARROW MULTI-DECK DAIRY/DELI MERCHANDISERS
Medium Temperature Refrigerated Display Cases

**This manual has been designed to be used in conjunction with the
General (UL/NSF) Installation & Service Manual.**

Save the Instructions in Both Manuals for Future Reference!!

This merchandiser conforms to the American National Standard Institute & NSF International Health and Sanitation standard ANSI/NSF 7 - 2003.

PRINTED IN U.S.A.	Specifications subject to change without notice.	REPLACES EDITION	10/05	ISSUE DATE	5/06	PART NO.	9037155	REV. D
-------------------	--	------------------	-------	------------	------	----------	---------	--------

Tyler Refrigeration * Niles, Michigan 49120

CONTENTS

	<u>Page</u>
Specifications	
N5D/N5DH/N5DL Specification Sheets	4
N5DSC Specification Sheets	6
Pre-Installation Responsibilities (See General-UL/NSF I&S Manual)	
Installation Procedures	
Carpentry Procedures	8
Case Pull-Up Locations	8
Electrical Procedures	8
Electrical Considerations	8
Plumbing Procedures (See General-UL/NSF I&S Manual)	
Refrigeration Procedures (See General-UL/NSF I&S Manual)	
Defrost Information	8
Defrost Control Chart	8
Installation Procedure Check Lists (See Gen.-UL/NSF I&S Manual)	
Wiring Diagrams	8
N5D/N5DH/N5DL Domestic & Export (50Hz) 4' Case Circuits	9
N5D/N5DH/N5DL Domestic & Export (50Hz) 6' Case Circuits	10
N5D/N5DH/N5DL Domestic & Export (50Hz) 8' Case Circuits	11
N5DSC Domestic & Export (50Hz) 4' and 6' Case Circuits	12
Canopy Lighting Circuits	13
Optional Shelf Light Circuits	14
Cleaning and Sanitation (See General-UL/NSF I&S Manual)	
Component Removal and Installation Instructions for Cleaning	15
Mirrors	15
Shelves and Shelf Brackets	15
Bottom Trays	15
Front Air Ducts	15
Rear Duct Panels	15
Discharge Air Honeycomb	15
Top Duct	16
Lower Cladding	16
Upper Cladding	16

	<u>Page</u>
General Information	
NSF Product Thermometer	16
Service Instructions	
Preventive Maintenance	(See General-UL/NSF I&S Manual)
Troubleshooting Self-Contained Units	17
Light Servicing	
Ballast and Lighting Locations	18
Fan Blade and Motor Replacement (See Gen.-UL/NSF I&S Manual)	
Color Band and Bumper Replacement (See Gen.-UL/NSF I&S Man.)	
Parts Information	
Operational Parts List	19
Cladding and Optional Trim Parts List	20
TYLER Warranty	(See General-UL/NSF I&S Manual)

The following Narrow Medium Temperature Dairy and Deli Merchandiser models are covered in this manual:

MODELS	DESCRIPTION
N5D	3', 4', 6' & 8' REMOTE MULTI-DECK DAIRY/DELI MERCHANDISER
N5DH	4', 6' & 8' REMOTE DEEP WELL MULTI-DECK DAIRY/DELI MERCHANDISER
N5DL	4', 6' & 8' REMOTE LOW FRONT MULTI-DECK DAIRY/DELI MERCHANDISER
N5DSC	4' & 6' SELF-CONTAINED MULTI-DECK DAIRY/DELI MERCHANDISER

SPECIFICATIONS

N5D/N5DH/N5DL Narrow Multi-Deck Dairy/Deli Merchandisers

Refrigeration Data:

MODEL	CASE LENGTH	CASE USAGE	CAPACITY (BTUH / FT)		EVAPORATOR (°F)	UNIT SIZING (°F)	DISCHARGE AIR		AVG. REF. CHARGE (LBS/FT)
			PARALLEL	CONVENTIONAL			TEMPERATURE (°F)	VELOCITY (FPM)	
N5D	3'4 1/8' 7/8"	MED TEMP	1,276*	1,367**	+15**	+13	35	300***	1.36****
N5DH	4'6' 7/8"	MED TEMP	1,299*	1,392**	+15**	+13	35	300***	1.36****
N5DL	4'6' 7/8"	MED TEMP	1,339*	1,435**	+15**	+13	35	300***	1.36****

* Capacity data listed for cases with 1 row of 800MA canopy lights and 4 rows of optional T-8 lighted shelves. Adjustments must be made to this base rating for each option installed on this case. DEDUCT 20 BTUH/FT for each row of unlighted shelves. For sizing all refrigeration equipment other than TYLER, use conventional BTUH values.

** Evaporator temperature is based on the saturated pressure leaving the case.

*** Air velocity measured 1 hour after defrost at the top discharge air duct using an ALNOR JR. velometer with a scoop.

**** This is an average refrigeration charge per foot based on R22 and R404A refrigerant usage.

FOR SPECIFIC COMPRESSOR SIZING INFORMATION, REFER TO TYLER APPLICATIONS FOR RACK SYSTEM COMPRESSORS AND/OR THE COMPRESSOR MANUFACTURERS FOR SINGLE COMPRESSORS. FOR LINE SIZING INFORMATION, REFER TO THE MISCELLANEOUS SECTION "BUFF" IN THE TYLER SPECIFICATION GUIDE.

Electrical Data:

Fans and Heaters (120 Volt)

MODEL	CASE LENGTH	FANS / CASE	TOTAL STANDARD FANS		TOTAL ECM FANS		TOTAL ANTI-SWEATS (120V)	
			AMPS	WATTS	AMPS	WATTS	DISCHARGE AIR AMPS	WATTS
N5D	3'	2	1.24	27.8	N/A	N/A	N/A	N/A
N5D(H/L)	4'	2	0.68	60.4	0.44	22.0	N/A	N/A
N5D(H/L)	6'	2	0.68	60.4	0.44	22.0	N/A	N/A
N5D(H/L)	8'	3	1.02	90.6	0.66	33.0	N/A	N/A

800MA and T-8 Lighting with Electronic Ballasts (120 Volt)

MODEL	CASE LENGTH	CANOPY LIGHTS* - PER ROW						SHELF LIGHTS - PER ROW								MAX. LIGHTING (5 or 6 ROWS)	
		(800 MA)		(T-8)				AMPS				WATTS				AMPS	WATTS
		1	1	1	2	1	2	1	2	3	4	1	2	3	4		
N5D	3'	N/A	N/A	0.30	0.40	36.0	48.0	0.30	0.45	0.60	0.75	36.0	54.0	72.0	90.0	1.05	138.0
N5D(H/L)	4'	0.91	109.2	0.35	0.50	42.0	60.0	0.45	0.60	0.80	0.95	54.0	72.0	96.0	114.0	1.86	232.2
N5D(H/L)	6'	0.98	117.6	0.40	0.75	48.0	90.0	0.60	0.90	1.20	1.50	72.0	108.0	144.0	180.0	2.48	297.6
N5D(H/L)	8'	1.07	128.4	0.50	0.95	60.0	114.0	0.90	1.20	1.60	1.90	108.0	144.0	182.0	228.0	2.97	356.4

* Standard lighting for this case is 1 row of 800MA canopy lights on all models except the N5D3, which has 2 rows of T-8 canopy lights.

Defrost Data:

DEFROST TYPE*	DEFROSTS PER DAY	DURATION TIME (MIN)	TERMINATION (°F)	EPR SETTINGS **		DEFROST WATER (LB / FT / DAY)
				R22 (PSIG)	R404A (PSIG)	
TIME OFF	4	24	- - -	37	49	1.2

* If an Electronic Sensor is used for termination, it should be set at 70°F termination temperature. The sensor must be located in the same location as the defrost termination klixon for that defrost type.

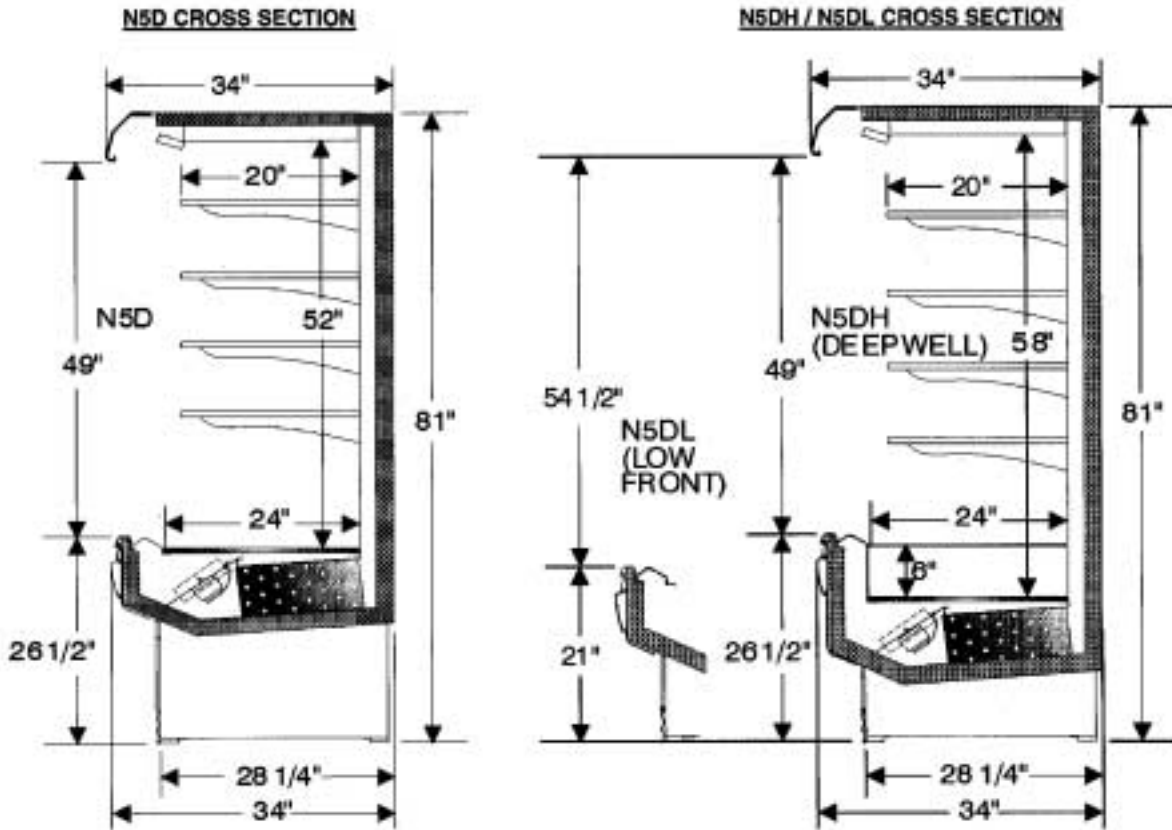
** Set EPR to give this pressure at the case.

SHELVING NOTES: You MUST USE all 20" deep shelves (3 rows minimum or 4 rows maximum). The top row MUST HAVE a rear gasket. TYLER recommends that this case be merchandised on straight shelves, not sloped downward.

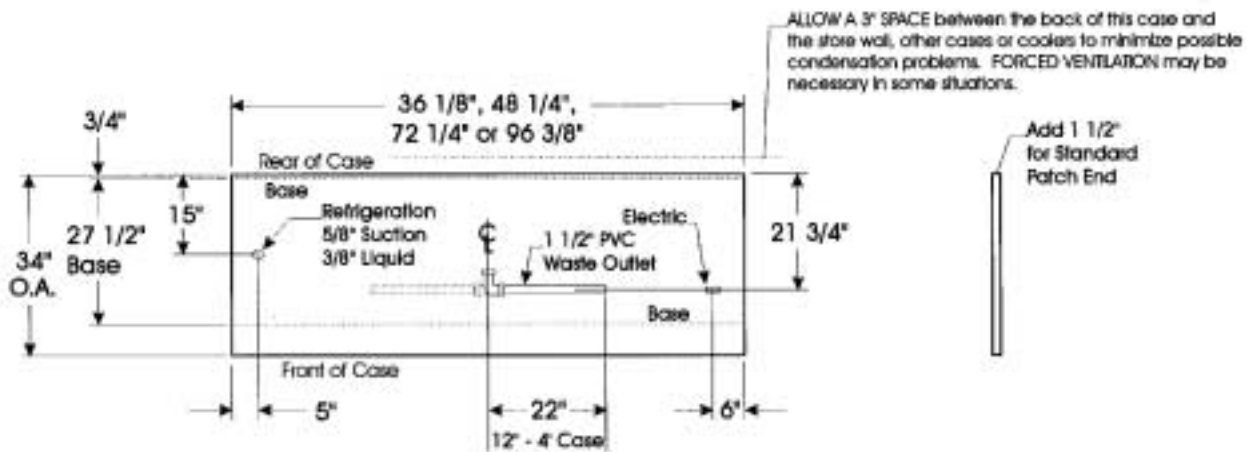
UL SANITATION approved in accordance with ANSI/NSF - 7.

CASE BTUH REQUIREMENTS are calculated to produce approximately the indicated entering-air temperature with absolute maximum operating ambient limits of 75°F & 55RH.

The information contained herein is based on technical data and tests that we believe are reliable, and is intended for use by persons having technical skill at their own discretion and risk. Since conditions of use are outside of Tyler's control, we cannot assume any liability for results obtained or damages incurred through the applications of the data presented. SPECIFICATIONS ARE SUBJECT TO CHANGE WITHOUT NOTICE.



N5D(H/L) FLOOR PLAN



N5DSC Narrow Multi-Deck Dairy/Deli Merchandisers (Self-Contained)

Refrigeration Data:

MODEL	CASE LENGTH	CASE USAGE	CAPACITY (BTUH / FT)		EVAPORATOR (°F)	UNIT SIZING (°F)	DISCHARGE AIR		AVG. REF. CHARGE (LBS/FT)
			PARALLEL	CONVENTIONAL			TEMPERATURE (°F)	VELOCITY (FPM)	
N5D	3'4"/6'8"	MED TEMP	1,276*	1,367*	+15**	+13	35	300***	1.36****
N5DH	4'6"/8'	MED TEMP	1,299*	1,392*	+15**	+13	35	300***	1.36****
N5DL	4'6"/8'	MED TEMP	1,339*	1,435*	+15**	+13	35	300***	1.36****

* Capacity data listed for cases with 1 row of 800MA canopy lights and 4 rows of optional T-8 lighted shelves. Adjustments must be made to this base rating for each option installed on this case. DEDUCT 20 BTUH/FT for each row of unlighted shelves. For sizing all refrigeration equipment other than TYLER, use conventional BTUH values.

** Evaporator temperature is based on the saturated pressure leaving the case.

*** Air velocity measured 1 hour after defrost at the top discharge air duct using an ALNOR JR. velometer with a scoop.

**** This is an average refrigeration charge per foot based on R22 and R404A refrigerant usage.

FOR SPECIFIC COMPRESSOR SIZING INFORMATION, REFER TO TYLER APPLICATIONS FOR RACK SYSTEM COMPRESSORS AND/OR THE COMPRESSOR MANUFACTURERS FOR SINGLE COMPRESSORS. FOR LINE SIZING INFORMATION, REFER TO THE MISCELLANEOUS SECTION "BUFF" IN THE TYLER SPECIFICATION GUIDE.

Electrical Data:

Fans and Heaters (120 Volt)

MODEL	CASE LENGTH	FANS / CASE	TOTAL STANDARD FANS		TOTAL ECM FANS		TOTAL ANTI-SWEATS (120V)	
			AMPS	WATTS	AMPS	WATTS	DISCHARGE AIR AMPS	WATTS
N5D	3'	2	1.24	27.8	N/A	N/A	N/A	N/A
N5D(H/L)	4'	2	0.68	60.4	0.44	22.0	N/A	N/A
N5D(H/L)	6'	2	0.68	60.4	0.44	22.0	N/A	N/A
N5D(H/L)	8'	3	1.02	90.6	0.66	33.0	N/A	N/A

800MA and T-8 Lighting with Electronic Ballasts (120 Volt)

MODEL	CASE LENGTH	CANOPY LIGHTS* - PER ROW (800 MA)						SHELF LIGHTS - PER ROW								MAX. LIGHTING (5 or 6 ROWS)	
		(T-8)		(T-8)		(T-8)		AMPS				WATTS				AMPS	WATTS
		1	2	1	2	1	2	1	2	3	4	1	2	3	4		
N5D	3'	N/A	N/A	0.30	0.40	36.0	48.0	0.30	0.45	0.60	0.75	36.0	54.0	72.0	90.0	1.05	138.0
N5D(H/L)	4'	0.91	109.2	0.35	0.50	42.0	60.0	0.45	0.60	0.80	0.95	54.0	72.0	96.0	114.0	1.86	232.2
N5D(H/L)	6'	0.96	117.6	0.40	0.75	48.0	90.0	0.60	0.90	1.20	1.50	72.0	108.0	144.0	180.0	2.48	297.6
N5D(H/L)	8'	1.07	128.4	0.50	0.95	60.0	114.0	0.90	1.20	1.60	1.90	108.0	144.0	192.0	228.0	2.97	356.4

* Standard lighting for this case is 1 row of 800MA canopy lights on all models except the N5D3, which has 2 rows of T-8 canopy lights.

Defrost Data:

DEFROST TYPE*	DEFROSTS PER DAY	DURATION TIME (MIN)	TERMINATION (°F)	EPR SETTINGS **		DEFROST WATER (LB / FT / DAY)
				R22 (PSIG)	R404A (PSIG)	
TIME OFF	4	24	---	37	49	1.2

* If an Electronic Sensor is used for termination, it should be set at 70°F termination temperature. The sensor must be located in the same location as the defrost termination klixon for that defrost type.

** Set EPR to give this pressure at the case.

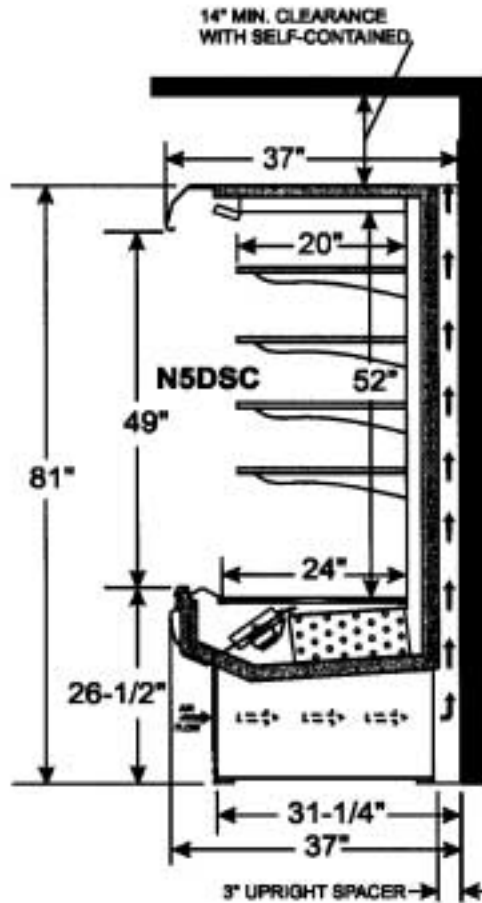
SHELVING NOTES: You MUST USE all 20" deep shelves (3 rows minimum or 4 rows maximum). The top row MUST HAVE a rear gasket. TYLER recommends that this case be merchandised on straight shelves, not sloped downward.

UL SANITATION approved in accordance with ANSI/NSF - 7.

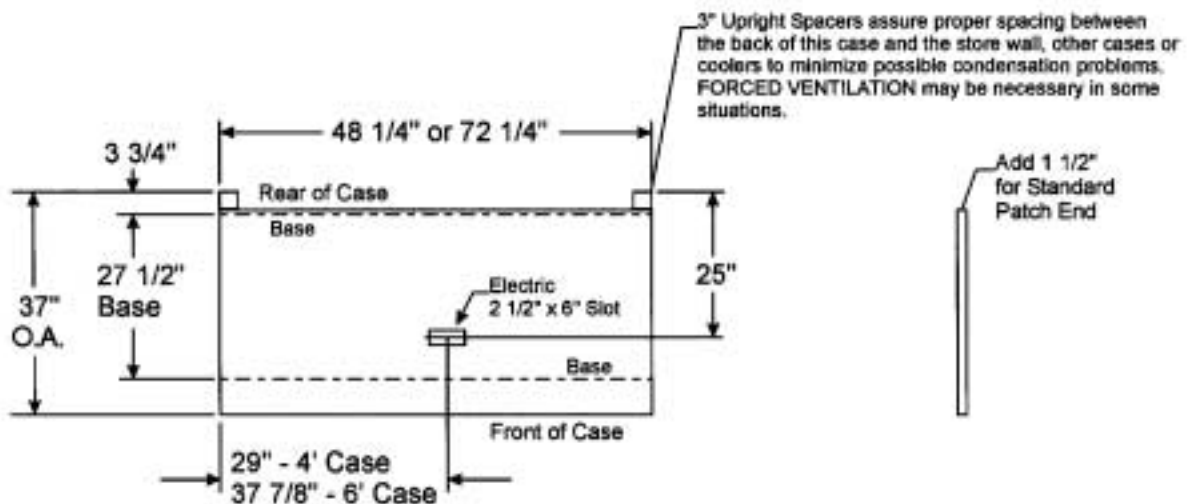
CASE BTUH REQUIREMENTS are calculated to produce approximately the indicated entering-air temperature with absolute maximum operating ambient limits of 75°F & 55RH.

The information contained herein is based on technical data and tests that we believe are reliable, and is intended for use by persons having technical skill at their own discretion and risk. Since conditions of use are outside of Tyler's control, we cannot assume any liability for results obtained or damages incurred through the applications of the data presented. SPECIFICATIONS ARE SUBJECT TO CHANGE WITHOUT NOTICE.

N5DSC CROSS SECTION



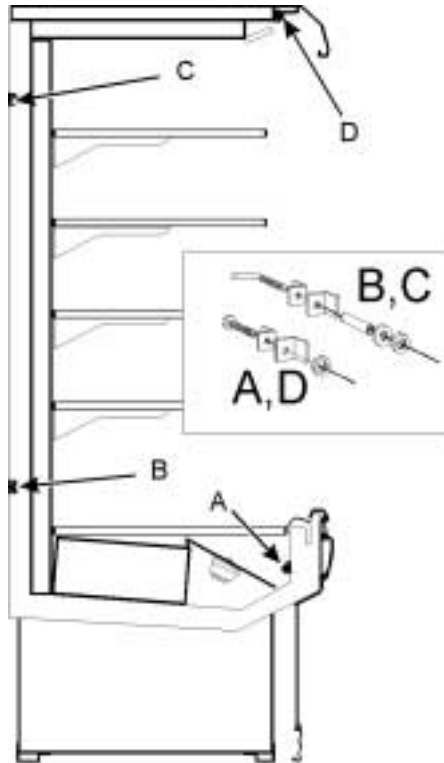
N5DSC FLOOR PLAN



INSTALLATION PROCEDURES

Carpentry Procedures

Case Pull-Up Locations



The N5D, N5DH, N5DL and N5DSC models have four pull-ups at each end of the case. Pull-ups A, B, C and D are located as shown and should be installed and tightened starting with A and finishing with D.

See "General-UL/NSF I&S Manual" for line-up assembly instructions.

Electrical Procedures

Electrical Considerations

CAUTION

Make sure all electrical connections at components and terminal blocks are tight.

NOTE

Since the lower front cladding is shipped loose, the wiring has immediate access.

Case Fan Circuit

This circuit is to be supplied by an uninterrupted, protected 120V circuit. The case fan circuit is not cycled during defrost on any of these models.

Fluorescent Lamp Circuit

N5D/N5DH/N5DL/N5DSC case lighting is supplied by 800MA HO horizontal lights. It is controlled by a light switch in each case. The standard lighting is 1-row of high output 800MA canopy lights. N5D/N5DH/N5DL/N5DSC also offers up to 4 rows of T-8 shelf lights with remote electronic ballasts.

Self-Contained Circuit

N5DSC cases are self-contained units. Specific information on self-contained units, not listed on the specifications sheets on pages 6 and 7, should be obtained directly from TYLER Refrigeration.

Defrost Information

See "General-UL/NSF I&S Manual" for operational descriptions for Off Time defrost control.

Defrost Control Chart

<u>Defrost Type</u>	<u>Defrosts Per Day</u>	<u>Defrost Duration (Min)</u>	<u>Term. Temp.</u>
N5D(H/L) Off Time	4	24	-----
N5DSC Off Time	6	28	-----

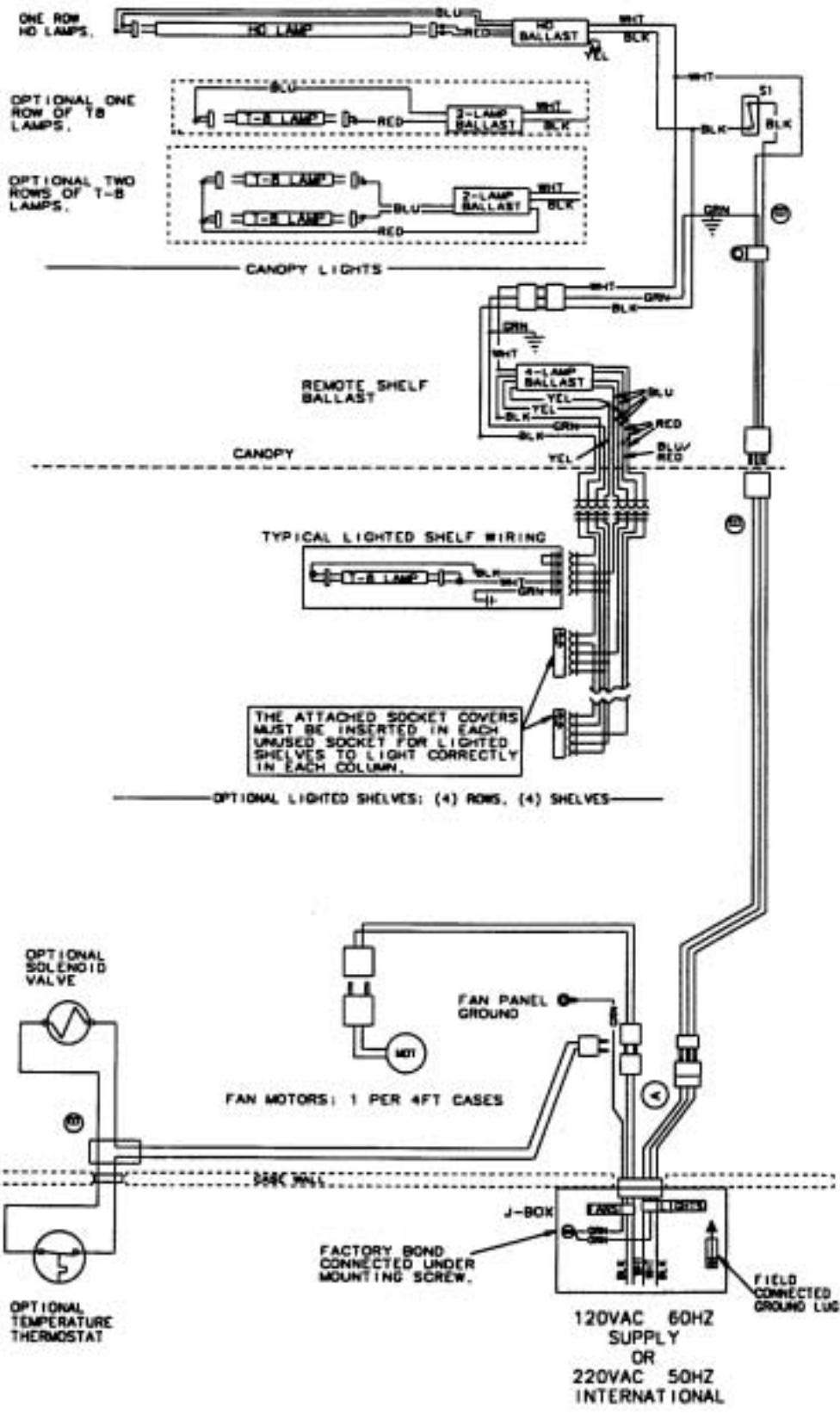
WIRING DIAGRAMS

ELECTRICIAN NOTE - OVERCURRENT PROTECTION

120V circuits should be protected by 15 or 20 Amp devices per the requirements noted on the cabinet nameplate or the National Electrical Code, Canadian Electrical Code - Part 1, Section 28. 208V defrost circuits employ No. 12 AWG field wire leads for field connections. On remote cases intended for end to end line-ups, bonding for ground may rely upon the pull-up bolts.

The following wiring diagrams on pages 9 thru 14 will cover the N5D, N5DH, N5DL and N5DSC case circuits and the lighting circuits.

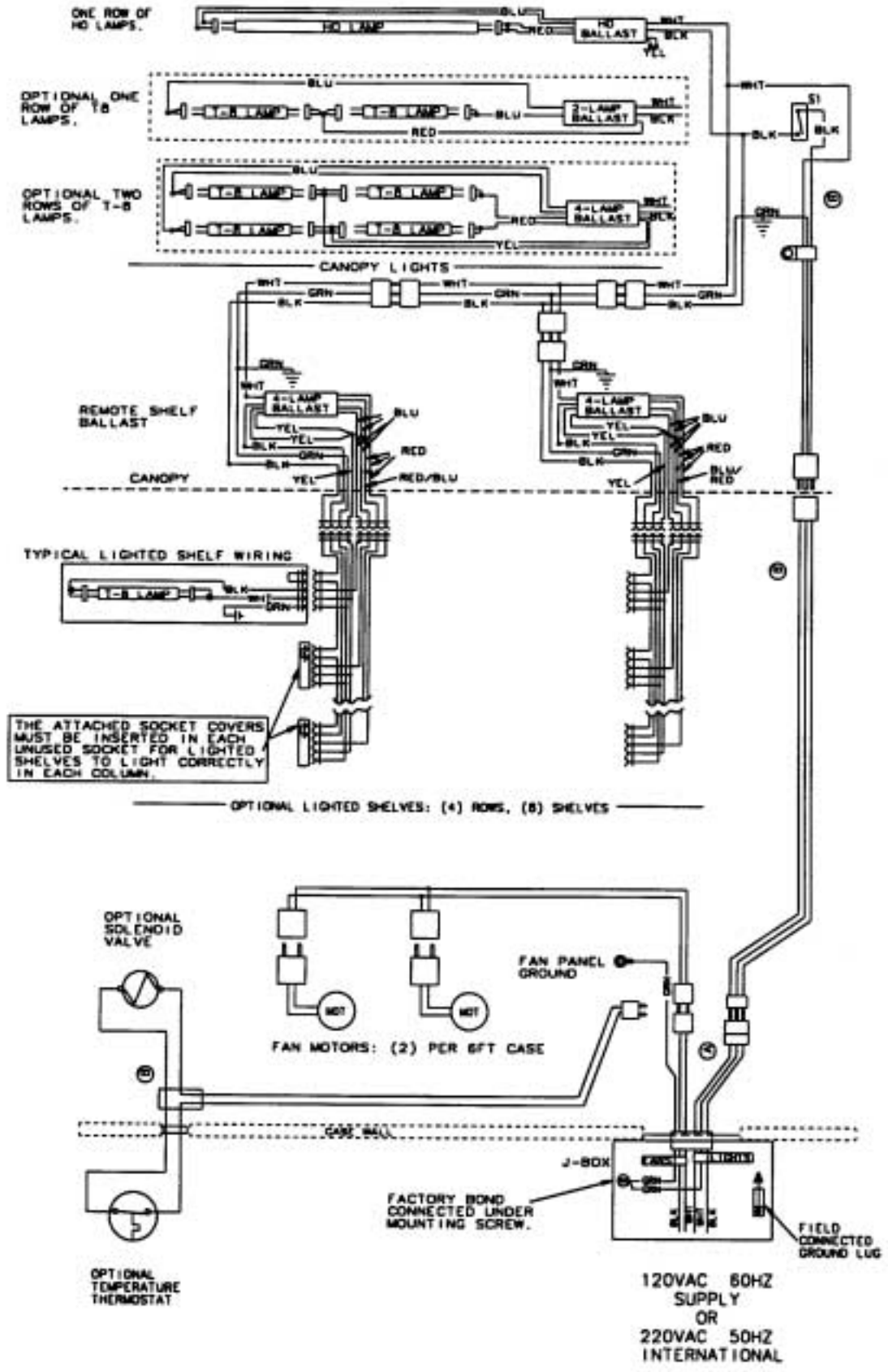
UNIT TYPE: B-1
 MODEL: 230CT96
 MANUFACTURED BY: TYLER ELECTRIC CO.
 COUNTRIES: U.S.A., CANADA, U.K., FRANCE, GERMANY, ITALY, JAPAN, SWITZERLAND, U.S.S.R., INDIA, AUSTRALIA, SOUTH AFRICA, NEW ZEALAND, SINGAPORE, HONG KONG, TAIWAN, MALAYSIA, THAILAND, PHILIPPINES, INDONESIA, BRAZIL, ARGENTINA, CHILE, COLOMBIA, VENEZUELA, GUATEMALA, HONDURAS, NICARAGUA, COSTA RICA, PANAMA, CUBA, DOMINICAN REPUBLIC, PUERTO RICO, VENEZUELA, GUATEMALA, HONDURAS, NICARAGUA, COSTA RICA, PANAMA, CUBA, DOMINICAN REPUBLIC, PUERTO RICO



DECIMALS +/- .030 ANGLES +/- 1 DEG	NONE	NONE
REVISED TO HOF MODEL	230CT96	LC
REVISED PER ECH	23184	LC
REVISED PER IANICES	87-018	LC
REVISION	DATE	BY
	06-104	

DIAGRAM WRG
 N5D(H,L) 4FT.
 9026362

WARRANTY POLICY: ALL TYLER EQUIPMENT IS GUARANTEED TO BE FREE FROM DEFECTS IN MATERIALS AND WORKMANSHIP FOR A PERIOD OF 90 DAYS FROM THE DATE OF PURCHASE. THE WARRANTY IS VOID IF THE EQUIPMENT IS MISUSED, ABUSED, OR IF THE USER FAILS TO FOLLOW THE INSTRUCTIONS IN THE OPERATING MANUAL. TYLER ASSUMES NO LIABILITY FOR CONSEQUENTIAL DAMAGES. TYLER, THE TYLER LOGO, AND "TYLER" ARE REGISTERED TRADEMARKS OF TYLER MANUFACTURING COMPANY.

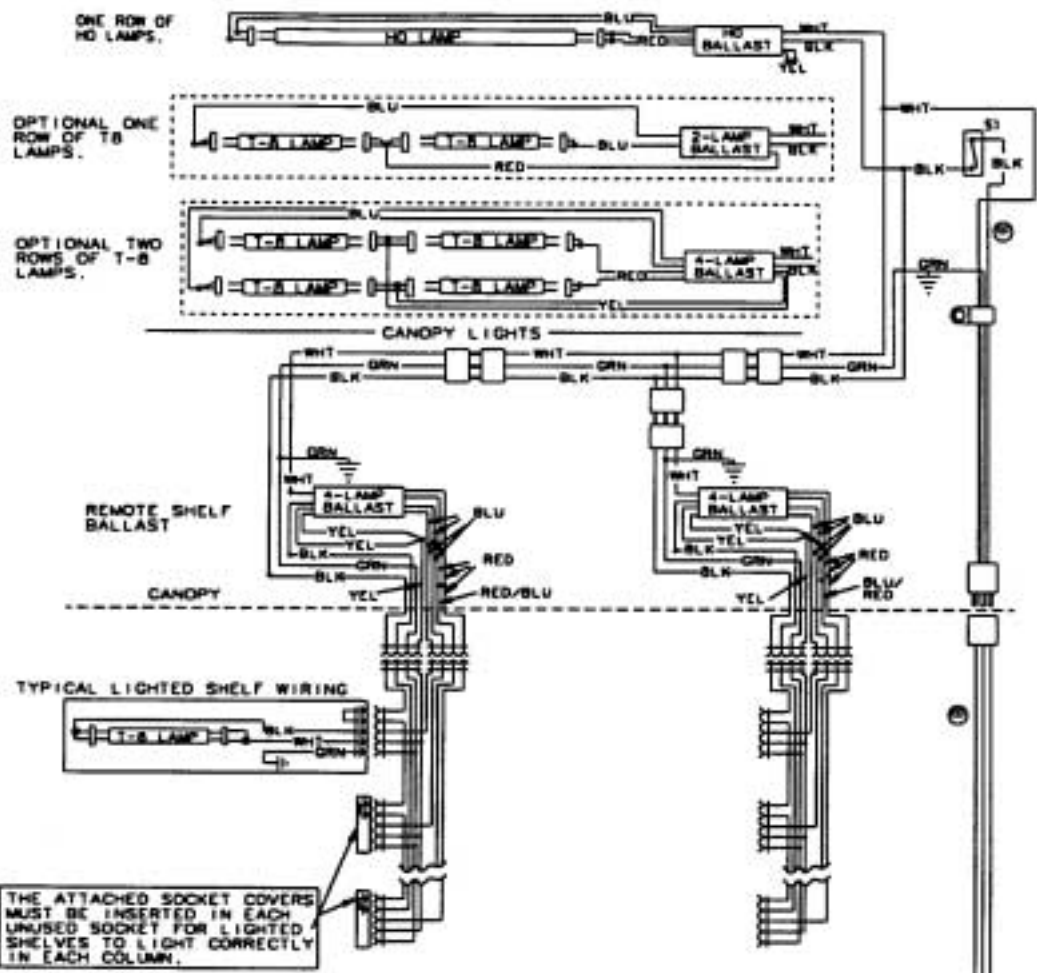


DECIMALS +/- .030 ANGLES +/- 1 DEG	NONE	
LC	230C18B	LC
B	3887	3184
A	37-018	37-018
W	WELLS	WELLS
96-104	9026363	C

DIAGRAM WRG N50(H.L.) 6FT

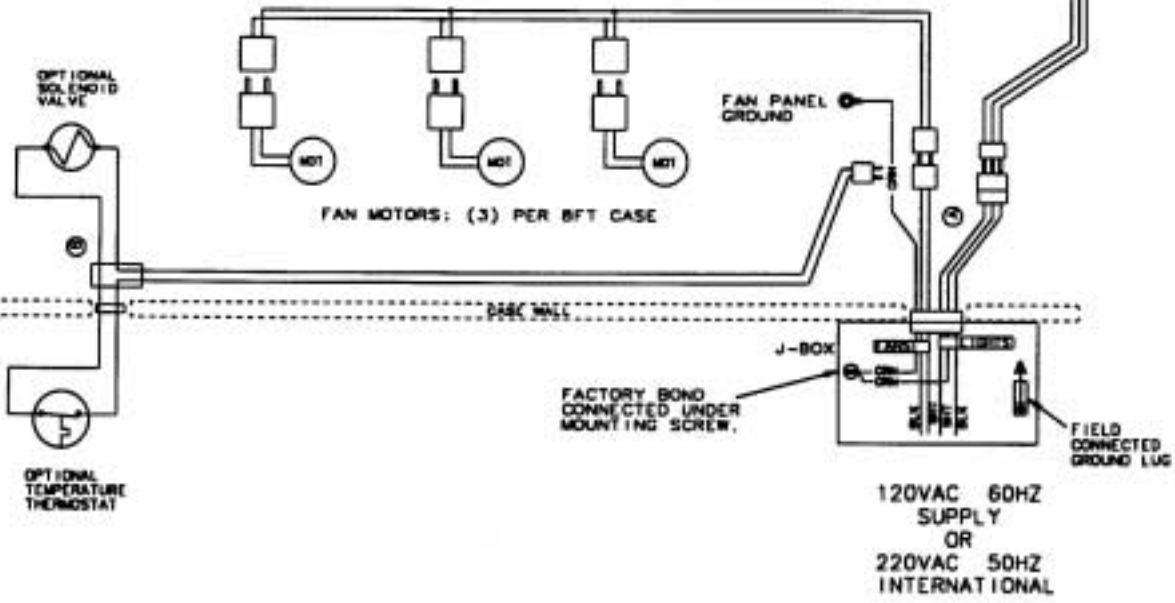
TYLER

PART TYPE B 1 C
 MODEL
 MANUFACTURED BY
 PART NUMBER
 REVISION
 DATE



THE ATTACHED SOCKET COVERS
 MUST BE INSERTED IN EACH
 UNUSED SOCKET FOR LIGHTED
 SHELVES TO LIGHT CORRECTLY
 IN EACH COLUMN.

OPTIONAL LIGHTED SHELVES: (4) ROWS, (8) SHELVES



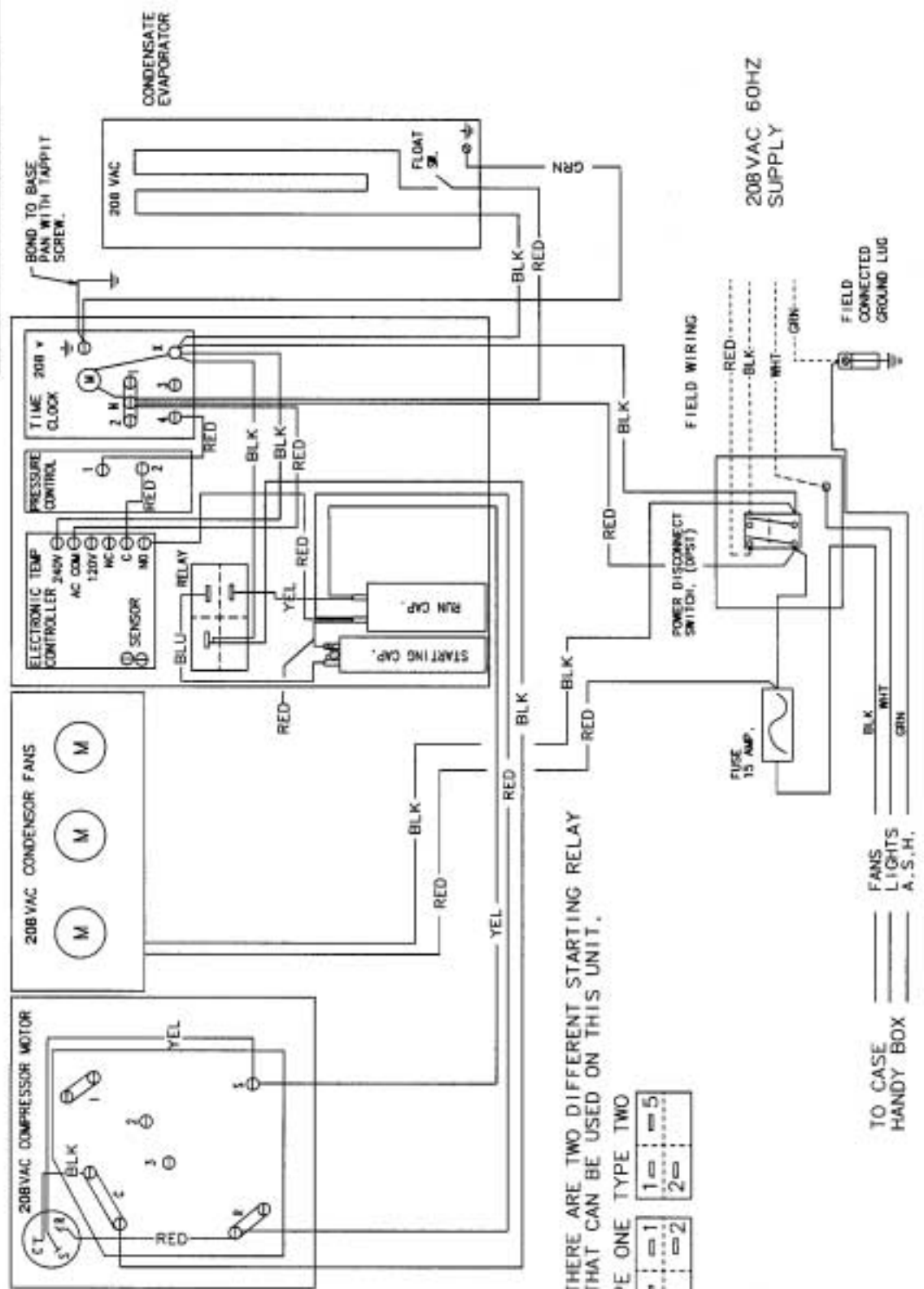
NOTE: ALL CASES MUST BE GROUNDED

DECIMALS +/- .030 ANGLES +/- 1 DEG	NONE	NONE
230CT86		
28887 20MOVOC LC	OK	
23184 22MOVOC LC	OK	
97-878 27MOVOC LC	OK	
REVISION	DATE	BY
98-104		

NONE
 NONE
 230CT86
 LC
 LC
 OK
 OK
 98-104
 B C

DIAGRAM WRG
 MSD(H,L) BFT

PART TYPE N I 2
 MODEL
 FABRICATED X
 PURCHASED
 DATE
 BY
 LOCATION



NOTE: THERE ARE TWO DIFFERENT STARTING RELAY TYPES THAT CAN BE USED ON THIS UNIT.



TO CASE HANDY BOX

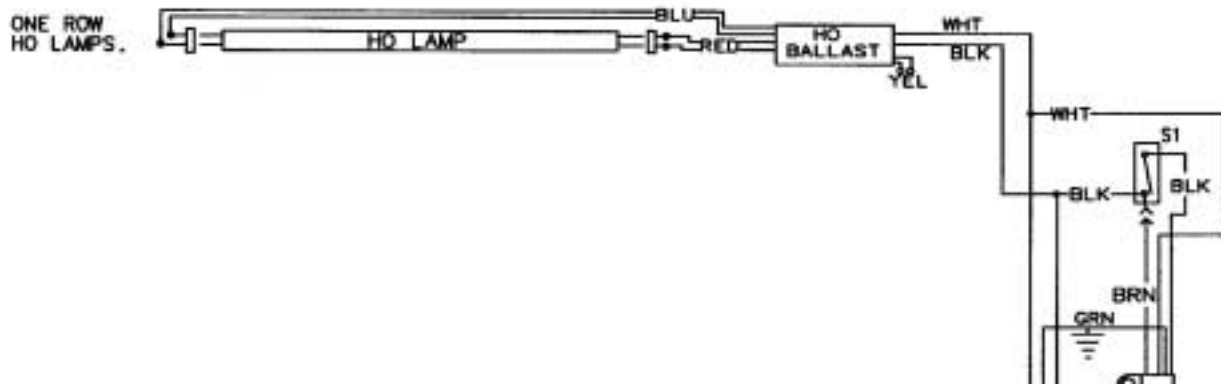
FANS
 LIGHTS
 A.S.H.

BLK
 WHT
 GRN

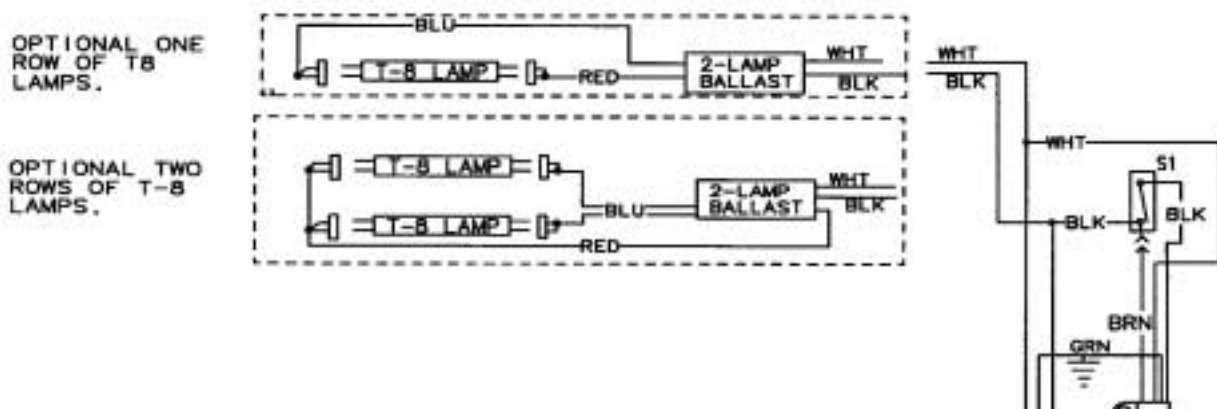
REV B	18MAY10-4	40311	9603470
LC	AS		
AS			
AS			
AS			
AS			

DIAGRAM WRG SCNT
 NSDSC 4&6FT CASES

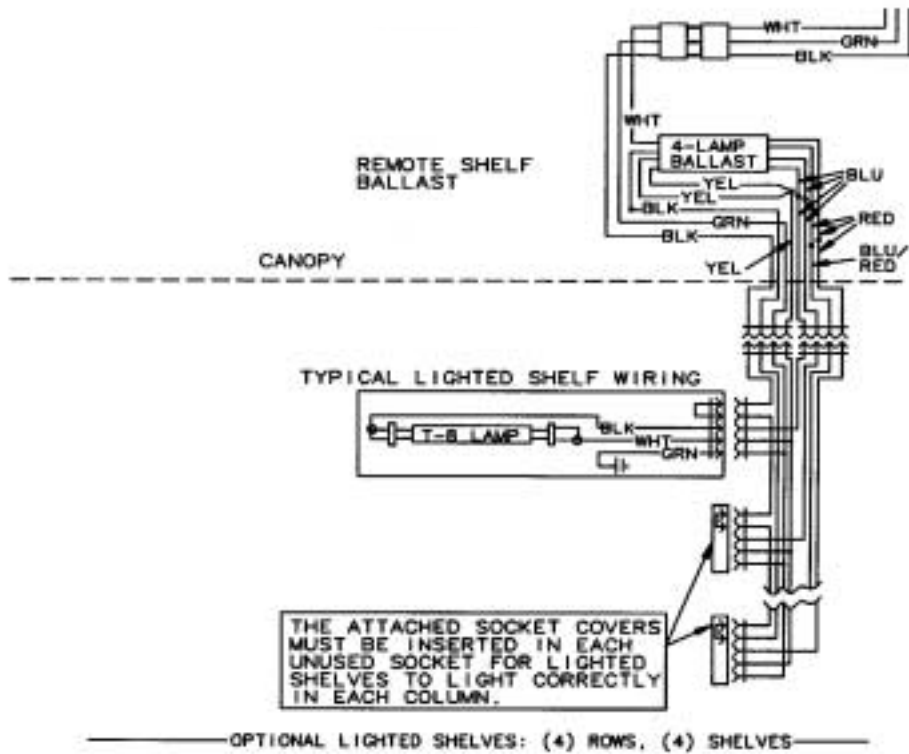
800MA Canopy Lighting Circuit



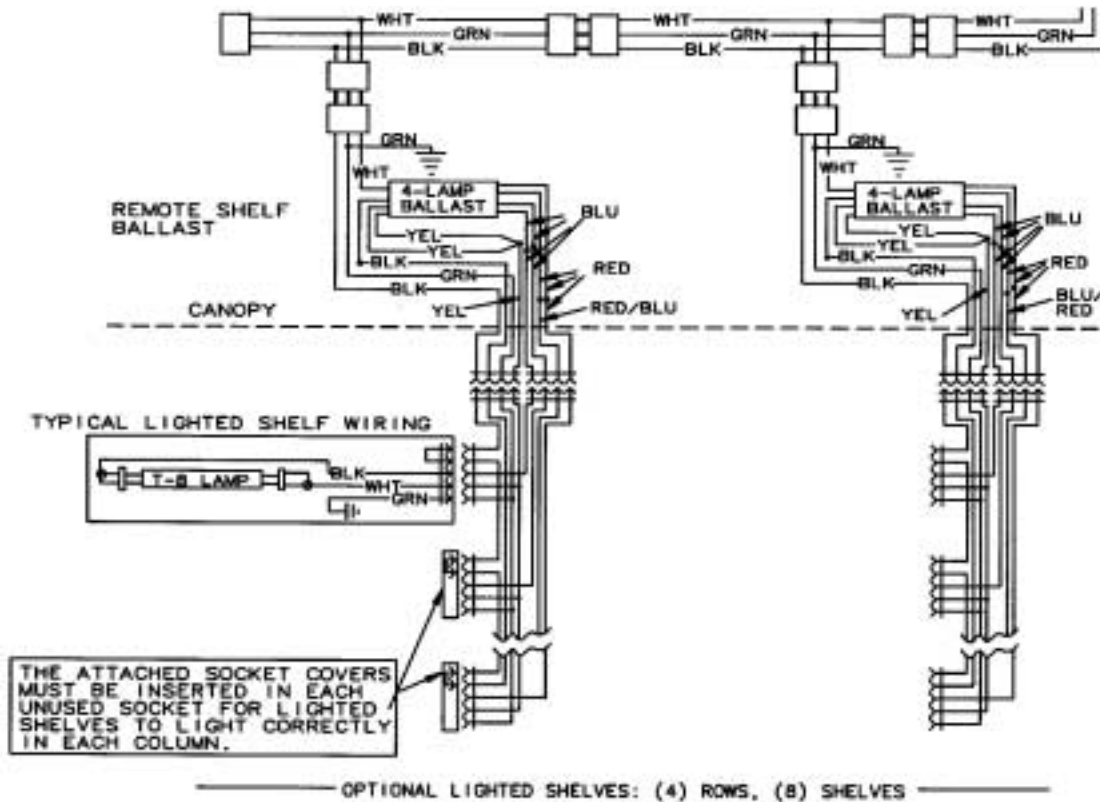
Optional Canopy Lighting Circuit



Optional Shelf Lighting Circuits 3' & 4' Cases



6' & 8' Cases



CLEANING AND SANITATION

Component Removal and Installation Instructions for Cleaning

Mirrors

1. Remove mounting screws and end molding of mirror line-up.
2. Carefully grasp and lift mirror section until bottom edge clears the lower mirror track.
3. Carefully lower mirror out of upper mirror track and remove from case.
4. After cleaning, replace in reverse order.

Shelves and Shelf Brackets

1. Remove product from shelves.
2. If shelf has a light, unplug the light cord from the socket in the rear duct panel. Completely insert socket cover in the light socket to protect the receptacle.
3. Push shelves back and then lift up and out to remove them from the shelf brackets.
4. Remove shelf brackets from slots in rear uprights.
5. After cleaning, replace in reverse order.

Bottom Trays

1. Remove product from bottom of case.
2. Grasp and lift out each of the bottom trays from the case interior.
3. After cleaning, replace in reverse order.

Front Air Ducts

1. Remove lower trays, see this page.
2. Lift out front air duct sections.
3. After cleaning, replace in reverse order.

Rear Duct Panels

(w/o Shelf Light Sockets)

1. Remove shelves and bottom trays, see above.
2. Remove mounting screws and rear duct panels from case.
3. After cleaning, replace and secure rear duct panels in reverse order.

(with Shelf Light Sockets)

1. Remove mirrors, shelves and bottom trays, see this page.
2. Remove mounting screws from rear duct panel.
3. Slowly lift out rear duct panel until the shelf harness connector near the top of the panel can be accessed.
4. Disconnect shelf harness connector and complete removing the rear duct panel.

WARNING

Rear duct panels with electrical receptacles can be cleaned without removing the electrical receptacles. Do not get moisture on electrical wires when cleaning under this cover. Moisture on wires could cause premature product failure and/or personal injury or death from electrical shock.

5. After cleaning, reconnect the shelf harness connector: install the top socket assembly: replace and secure rear duct panels in reverse order.

Discharge Air Honeycomb

1. Loosen screws securing rear retainer plate.

NOTE

Note position of the honeycomb grid during removal so it can be reinstalled the same way.

2. Slide rear retainer plate back until the honeycomb grid sections can be removed from the top duct.

CAUTION

Improper installation of the honeycomb grid section could result in improper air flow and/or poor refrigeration.

3. After cleaning, replace honeycomb grid sections as they were removed and secure with the rear retainer plate and screws.

Top Duct

1. Remove shelves and shelf brackets, see page 15.
2. Remove screws, rear retainer plate and honeycomb grid sections from top of case.
3. Remove screws and top duct from case.
4. After cleaning, replace top duct and remaining components in reverse order.

Lower Cladding

1. Remove front kickplate from kickplate supports. (See General-UL/NSF I&S Manual.)
2. Remove mounting screws from top and bottom of lower cladding and remove lower cladding.
3. After cleaning, replace in reverse order.

Upper Cladding

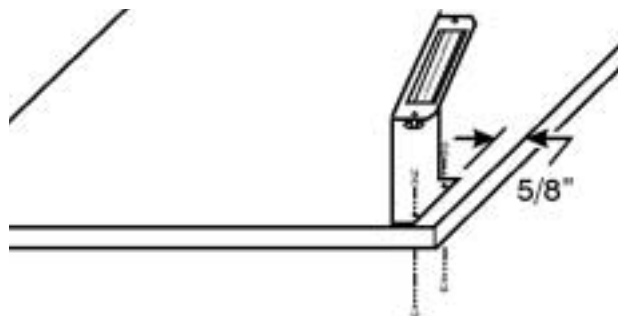
1. Remove lower cladding, see this page.
2. Remove color band, bumper and bumper retainer from the case. (See General-UL/NSF I&S Manual.)
3. Remove screws for top and bottom of upper cladding and remove upper cladding.
4. After cleaning, replace upper cladding and remaining front components in reverse order.

GENERAL INFORMATION**NSF Product Thermometer Installation**

1. Unwrap the thermometer and bracket assembly shipped loose with the case.
2. Position bracket in front right corner of the right-most bottom tray. Making sure the bracket is 5/8" in from the right edge, use the bracket holes as a template for where to drill the holes.
3. Drill two .196" holes in the bottom tray.

NOTE

For ease of installation, position the washers and capnuts on the top side of the bracket and bottom tray.

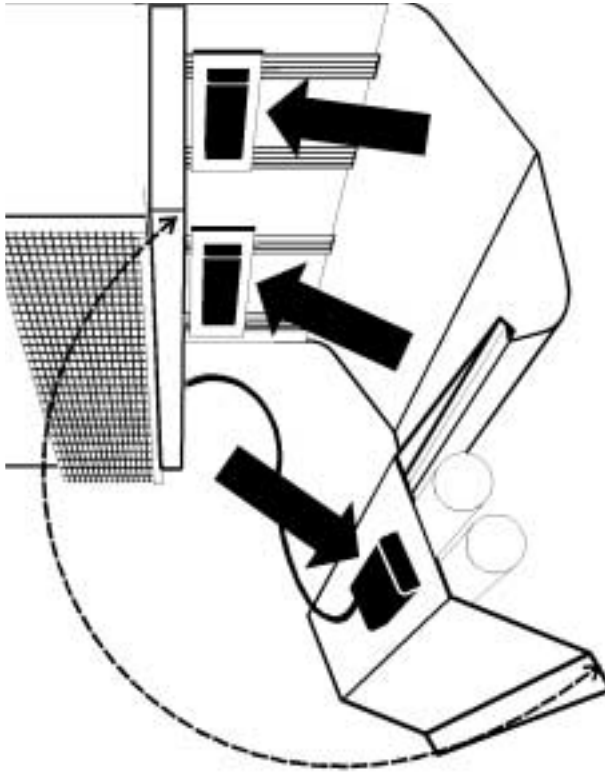


4. Mount the bracket to the bottom tray with two screws, washers and capnuts.

SERVICE INSTRUCTIONS**Troubleshooting Self-Contained Units****WARNING**

Never work on electrically powered equipment while it is energized! Electrical shock could cause personal injury and/or death.

<u>TROUBLE</u>	<u>COMMON CAUSE</u>	<u>REMEDY</u>
1. Unit will not run	Blown fuse	Replace fuse.
	Low voltage	Check outlet with voltmeter. Voltage should be 115V or 220V ($\pm 10\%$).
	Inoperative motor or temperature control	Check connections.
2. Refrigerated section is too warm	Shelves overloaded; blocked air flow	Make sure items do not block the air flow.
	Thermostat set incorrectly	Check setting.
	Pressure control set incorrectly	Check setting.
3. Refrigerated section too cold	Case fans not operating	Check terminal block connections.
	Thermostat set incorrectly	Check setting.
	Pressure control set incorrectly	Check setting.
4. Unit runs all the time	Inadequate air circulation	Relocate cabinet or remove obstruction. Check installation requirements.
	Room temperature too warm	Ventilate room appropriately.
	Thermostat set incorrectly	Reset thermostat.
	Refrigerant charge low	Have unit serviced by a qualified service technician.
5. Noisy operation	Loose baffles	Tighten or brace baffles.
	Tubing contacting cabinet or other tubing	Move tubing.
	Cabinet not level	Level cabinet.
6. Frost or ice on evaporator coil	Defrost clock doesn't work	Check electrical connections. Have unit serviced by a qualified service technician.
7. Water dripping from case drain	Condensate drain clogged	Clear drain.
	Dissipator not functioning	Check electrical supply. Check float assembly.

Light Servicing**Ballast and Lighting Locations**

All light ballasts are located under the canopy and mounted on the top of the canopy light channel. This includes remote ballasts for optional shelf lights. The canopy light(s) are under the canopy light channel in the top of the case. The optional shelf lights are mounted in separate light channels under the front of each shelf section.

NOTE

See "General-UL/NSF I&S Manual" for 800MA and T-8 ballast and lamp, fan blade & motor and color band & bumper replacement instructions.

PARTS INFORMATION

Operational Parts List

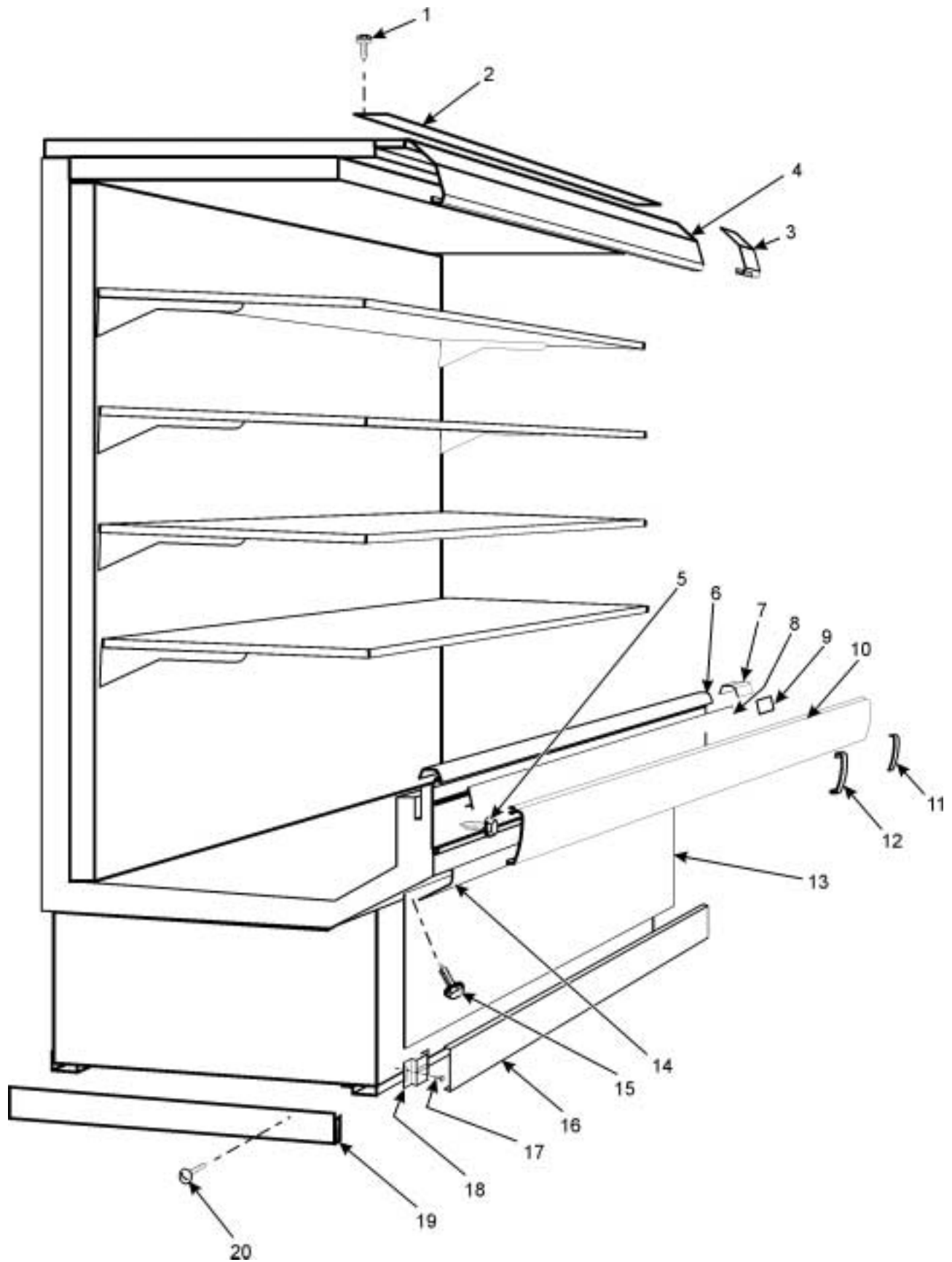
Case Usage	Domestic			Export		
	115 Volt 60 Hertz			220 Volt 50 Hertz		
Electrical Circuit						
Case Size	4'	6'	8'	4'	6'	8'
Fan Motors (N5D/N5DH/N5DL)	5125532 5 Watt	5125532 5 Watt	5125532 5 Watt	5126572 5 Watt	5126572 5 Watt	5126572 5 Watt
Fan Motors (N5DSC)	5125532 5 Watt	5125532 5 Watt	----	----	----	----
Fan Motor Brackets	5962269	5962269	5962269	5962269	5962269	5962269
Fan Bracket Plate	9041077	9041077	9041077	9041077	9041077	9041077
Fan Blades (7" 40° 5B)	5221604	5221604	5221604	5221604	5221604	5221604
Opt. ECM Fan Motors (N5D/N5DH/N5DL)	9025002 8 Watt	9025002 8 Watt	9025002 8 Watt	9025002 8 Watt	9025002 8 Watt	9025002 8 Watt
Opt. ECM Fan Motors (N5DSC)	9025002 8 Watt	9025002 8 Watt	----	9025002 8 Watt	9025002 8 Watt	----
Opt. ECM Motor Brackets	9025005	9025005	9025005	9025005	9025005	9025005
Opt. ECM Fan Blades (7" 30° 5B)	5223370	5223370	5223370	5223370	5223370	5223370
800MA Ballast (canopy)	5049140	5049140	5049140	5232195	5232195	5232195
Opt. T-8 Ballast (can. 1-row)	5991029	5991029	5991029	9322286	9322286	9322286
(can. 2-row)	5966635	5966635	5966635	9322286	9322286	9322286
(shelf)	5966635	5966635	5966635	9322288	9322288	9322288
800MA Lampholder (telescoping)	5614628	5614628	5614628	5614628	5614628	5614628
(stationary)	5614629	5614629	5614629	5614629	5614629	5614629
T-8 Lampholder (canopy)	9041897	9041897	9041897	9041897	9041897	9041897
(shelf)	9041897	9041897	9041897	9041897	9041897	9041897
Self-Cont. Compressor (N5DSC)	5965977	5965978	----	----	----	----
Compressor Model No. (N5DSC)	REK3-0125-PFV	REY3-0175-PFV	----	----	----	----
Condensate Pan (N5DSC)	9601926	5966037	----	----	----	----
Condensate Pan Heater (2-8 VAC)(N5DSC)	9601906 1500 Watt	9601905 2000 Watt	----	----	----	----
NSF Product Thermometer	5967100	5967100	5967100	5967100	5967100	5967100

For information on operational parts not listed above and for 3' N5D operational parts, contact the TYLER Service Parts Department.

Cladding and Optional Trim Parts List

Item Description	N5D/N5DH/N5DL			N5DSC	
	4'	6'	8'	4'	6'
1 Screw	5183536(3)	5183536(4)	5183536(6)	5183536(3)	5183536(4)
2 Close-off, Hood	9026366	9026367	9026368	9026366	9026367
3 Can. Hood Joint Trim, Ptd.	9029422	9029422	9029422	9029422	9029422
4 Canopy Hood, Ptd.	9025968	9025969	9025970	9025968	9025969
5 Screw	9025833	9025833	9025833	9025833	9025833
6 Bumper Retainer/Hand Rail	-----	-----	color by order	-----	-----
7 Hand Rail Backer, Ptd.	9025316	9025316	9025316	9025316	9025316
8 Color Band, Ptd.	9023791	9023796	9023799	9023791	9023796
9 Color Band Backer, Ptd.	9040223	9040223	9040223	9040223	9040223
10 Bumper	-----	-----	color by order	-----	-----
11 Bumper Backer	-----	-----	color by order	-----	-----
12 Bumper End Trim	-----	-----	color by order	-----	-----
13 Lwr. Frt. Cladding, Ptd. (N5D / N5DL)	9025459	9025460	9025461	----	----
(N5DH)	9026305	9026306	9026307	----	----
(N5DSC)	----	----	----	9603773	9603774
14 Upr. Frt. Cladding, Ptd. (N5D / N5DL)	9025462	9025463	9025464	----	----
(N5DH)	9026308	9026309	9026310	----	----
(N5DSC)	----	----	----	9025462	9025463
15 Screw	5183536(10)	5183536(12)	5183536(15)	5183536(10)	5183536(12)
16 Kickplate, Ptd.	9039267	9039268	9039269	9039267	9039268
Kickplate Joint Trim, Ptd.	9039020	9039020	9039020	9039020	9039020
Screw	9037551(4)	9037551(5)	9037551(6)	9037551(4)	9037551(5)
17 Screw	9029131(4)	9029131(6)	9029131(8)	9029131(4)	9029131(6)
18 Kickplate Support	9039022(2)	9039022(3)	9039022(4)	9039022(2)	9039022(3)
19 LH End Close-off, Ptd.	9022469	9022469	9022469	9022469	9022469
RH End Close-off, Ptd.	9022471	9022471	9022471	9022471	9022471
20 Screw	5048626(2)	5048626(2)	5048626(2)	5048626(2)	5048626(2)

For information on 3' N5D cladding and optional trim parts, contact the TYLER Service Parts Department.



Free Manuals Download Website

<http://myh66.com>

<http://usermanuals.us>

<http://www.somanuals.com>

<http://www.4manuals.cc>

<http://www.manual-lib.com>

<http://www.404manual.com>

<http://www.luxmanual.com>

<http://aubethermostatmanual.com>

Golf course search by state

<http://golfingnear.com>

Email search by domain

<http://emailbydomain.com>

Auto manuals search

<http://auto.somanuals.com>

TV manuals search

<http://tv.somanuals.com>