



*O r i g i n s   S e r i e s*

---

# Use and Care Guide

**Freezer Model:  
75F**

**1 Introduction**

Congratulations on your purchase of a U-Line refrigeration product. A pioneer in the field for more than 40 years, U-Line Corporation is the world's number one manufacturer of built-in, under-counter, specialty refrigeration and ice making products. U-Line dedicates 100% of its research and development to these products. The result: U-Line technology consistently leads the market with innovation, design, depth of product line and performance.

U-Line products are making life more convenient in homes, businesses, and hotels around the world. U-Line supports its products with a strong dealer network, and its commitment to quality even extends to environmentally safe packaging.

**IMPORTANT**

**READ all of the instructions in this guide completely before operating the unit for the first time.**

For future reference, keep this guide in a safe, accessible location. If you need additional information or assistance, please contact U-Line Corporation directly. Contact information appears on the rear cover of this guide.

If you have a problem with the operation of this product, the SERVICE section of this guide will assist you in quickly identifying common problems and provide information on possible causes and remedies. If your product needs service, contact U-Line directly.

**Warranty Registration**

Your U-Line Corporation Limited Warranty is located on the inside rear cover of this guide. To validate your warranty, the product and its original purchase date must be registered. A Warranty Registration Card has been included for this purpose in the package containing this manual. Complete and mail the Warranty Registration Card, or register your product online at [www.U-LineService.com](http://www.U-LineService.com) as soon as possible after purchase.

If your product registration is not on file and a request for warranty coverage is received, the date of sale to the U-Line Selling Dealer or Distributor will be established as the first date of warranty coverage for your product.

**Please Record Your Model Information**

When you request additional information or service, you will be asked for your products model and serial numbers. You can find this information on the serial plate located on the upper right or rear wall in the interior of your unit. This information also appears on the warranty registration card.



**Figure 1**

Please record the model number (**Figure 1, 1**), serial number (**Figure 1, 2**), date of purchase, and dealer contact information for your U-Line product below:

**Model Number:**

\_\_\_\_\_

**Dealer Name:**

\_\_\_\_\_

**Serial Number:**

\_\_\_\_\_

**Dealer Address:**

\_\_\_\_\_

**Purchase Date:**

\_\_\_\_\_

**Dealer Telephone:**

\_\_\_\_\_

<b>2</b>	<b>Table of Contents</b>	
Introduction .....		2
Warranty Registration .....		2
Please Record Your Model Information .....		2
Table of Contents .....		3
Safety Precautions .....		5
Safety Alert Definitions .....		5
General Precautions .....		5
Product Features .....		6
Origins Freezer Model 75F .....		6
Operation .....		6
Initial Startup .....		6
Temperature Control .....		6
Normal Operating Sounds .....		7
Outdoor, Marine and RV Usage .....		7
Storage, Vacation, Moving .....		7
Product Disposal .....		7
Cleaning and Maintenance .....		8
General Cleaning .....		8
Maintenance .....		8
Service .....		12
Before Calling for Service .....		12
If Service is Required .....		12
Replacement Parts .....		12
Troubleshooting Guide .....		13
U-Line Corporation Limited Warranty .....		15

This page intentionally left blank

### 3 Safety Precautions

#### IMPORTANT

PLEASE READ all instructions completely before attempting to install, operate, or service your unit.

- Proper installation procedures must be followed if this unit is being initially installed, or is moved to a new location after being in service. An **INSTALLATION GUIDE** for your unit, providing complete installation information is available from U-Line Corporation directly, and must be consulted before any installation is begun. U-Line contact information appears on the rear cover of this guide.
- This unit requires connection to a grounded (three-prong), polarized receptacle that has been placed by a qualified electrician in accordance with applicable electrical codes.

#### Safety Alert Definitions

Safety items throughout this guide are labeled with a Danger, Warning or Caution based on the risk type:

#### DANGER

*Danger means that failure to follow this safety statement will result in severe personal injury or death.*

#### WARNING

Warning means that failure to follow this safety statement could result in serious personal injury or death.

#### CAUTION

Caution means that failure to follow this safety statement may result in minor or moderate personal injury, property or equipment damage.

#### General Precautions

Use this appliance for its intended purpose only and follow these general precautions along with those listed throughout this guide:

#### DANGER

**RISK OF CHILD ENTRAPMENT.** Before you throw away your old refrigerator or freezer, take off the doors and leave shelves in place so that children may not easily climb inside.

#### WARNING

**SHOCK HAZARD - Electrical Grounding Required.**

- Never attempt to repair or perform maintenance on the unit until the electricity has been disconnected.
- Never remove the round grounding prong from the plug and never use a two-prong grounding adapter.
- Altering, cutting of power cord, removal of power cord, removal of power plug, or direct wiring can cause serious injury, fire and/or loss of property and/or life, and will void the warranty.
- Never use an extension cord to connect power to the unit.
- Always keep your working area dry.

#### CAUTION

- Use care when moving and handling the unit. Use gloves to prevent personal injury from sharp edges.
- If your model requires defrosting, **DO NOT** use any type of heater to defrost. Using a heater to speed up defrosting can cause personal injury and damage to the inner lining.

#### IMPORTANT

- Do not lift unit by door handle.
- Never install or operate the unit behind closed doors. Be sure front grille is free of obstruction. Obstructing free air flow can cause the unit to malfunction and may void the warranty.
- Failure to clean the condenser every three months can cause the unit to malfunction. This could void the warranty.
- Allow unit temperature to stabilize for 24 hours before use.
- If your model requires defrosting, never use an ice pick or other sharp instrument to help speed up defrosting. These instruments can puncture the inner lining or damage the cooling unit.
- Use only genuine U-Line replacement parts. Imitation parts can damage the unit, affect its operation or performance and may void the warranty.

## 4 Product Features

### Origins Freezer Model 75F

The Model 75F Freezer provides 6.0 cu ft (170 L) of freezer capacity and features manual temperature control.

- A generous capacity, one piece molded interior is very durable and easy to clean.
- Four adjustable tempered glass shelves are used. These shelves are easy to clean, contain spills, and may be positioned evenly throughout the interior to use all space efficiently.
- Two inner door "pick-off" storage shelves.
- Black and white models accept custom flat or raised door panels, and can achieve a custom, built-in look by matching surrounding cabinets.
- Doors on black and white models are field-reversible.
- All cabinets feature contoured design lines that provide a fashionable designer appearance.
- All models feature a vinyl clad steel cabinets that provide a rich textured look, and resist scratching, peeling, or flaking.

Features and specifications are subject to change without notice.

## 5 Operation

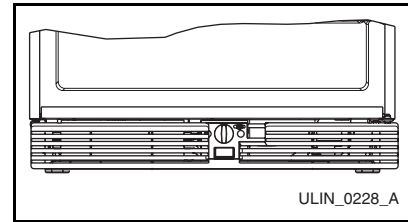


Figure 2

### IMPORTANT

**Proper air flow (Figure 2) is required for your unit to operate at its highest efficiency. A grille, located in the base of the unit, must not be blocked at any time, or your unit will not perform as expected.**

### Initial Startup

All U-Line units are shipped with controls that are preset. No initial adjustments are required.

### IMPORTANT

**U-Line recommends the unit be allowed to run overnight prior to loading the refrigerator and/or freezer with product.**

To turn unit off: Turn the controller knob located in the center of the grille counterclockwise until a "click" is heard. It may take some force to get the control to "click."

To turn unit on: Turn the controller knob located in the center of the grille clockwise to a MID setting, number 3 or 4 on the controller knob.

### Temperature Control

#### Adjusting Temperature

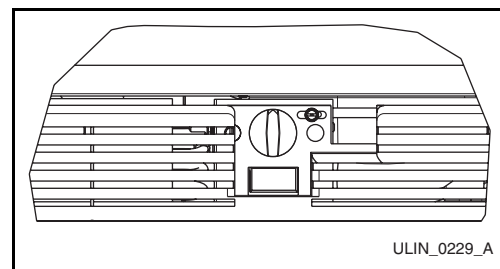


Figure 3

Adjust the temperature by turning the numbered dial (**Figure 3, 1**) in small increments.

Many factors can affect the internal temperatures of the cabinet. They include:

- Temperature setting.
- Ambient temperature where installed.

- The number of times and length of time the door is opened and closed.
- Installation in direct sunlight or near a heat source.

## Normal Operating Sounds

All models incorporate rigid foam insulated cabinets to provide high thermal efficiency and maximum sound reduction for its internal working components. In spite of this technology, your model may make sounds that are unfamiliar.

Normal operating sounds may be more noticeable because of the unit's environment. Hard surfaces such as cabinets, wood/vinyl/tiled floors and paneled walls have a tendency to reflect normal appliance operating noises.

Common refrigeration components, and a brief description of the normal operating sounds they make, are listed below. **NOTE:** Your product may not contain all of the components listed.

- Compressor: The compressor makes a hum or pulsing sound that may be heard when it operates.
- Evaporator: Refrigerant flowing through an evaporator may sound like boiling liquid.
- Condenser Fan: Air moving through a condenser may be heard.
- Automatic Defrost/Drain Pan: Water may be heard dripping or running into the drain pan when the unit is in the defrost cycle.

## Outdoor, Marine and RV Usage

Some U-Line models are designed to operate in outdoor, marine and RV environments. For best performance, keep the unit out of direct sunlight.

- If the unit will be shut off for five days or more, prop door open to allow for air circulation and prevent mold and mildew.

### IMPORTANT

**If the ambient temperature is expected to drop below 45°F, turn off and unplug unit, and drain all water from the unit to prevent freezing damage not covered by the warranty.**

- High ambient temperatures (110°F or higher) may reduce the unit's ability to reach low temperatures.

## Storage, Vacation, Moving

If the unit will not be used for an extended period, or otherwise stored, follow these steps completely:

### WARNING

**Electrical Shock Hazard. Disconnect power before servicing. Before operating, replace all panels. Failure to do so may result in death or electrical shock.**

1. Remove all consumable contents from the unit.
2. Disconnect the power cord from its outlet, and leave it disconnected until the unit is returned to service.
3. Clean and dry the interior of the cabinet (See CLEANING AND MAINTENANCE: GENERAL CLEANING).
4. During periods of non-use, the cabinet must remain open to prevent the formation of mold and mildew. Open door a minimum of 2 in. (5 cm) to provide the necessary ventilation.

## Product Disposal

If the unit is being removed from service for disposal, check and obey all Federal, State and/or Local regulations regarding the disposal and recycling of refrigeration appliances, and follow these steps completely:

1. Remove all consumable contents from the unit.
2. Disconnect power to the unit and unplug the power cord from its outlet.

### DANGER

**RISK OF CHILD ENTRAPMENT. Before you throw away your old refrigerator or freezer, take off the doors and leave shelves in place so that children may not easily climb inside.**

3. Remove the cabinet door.

## 6 Cleaning and Maintenance

### General Cleaning

#### Exterior Cleaning (As Required)

##### Black and White Models:

- Surfaces may be cleaned with a mild detergent and warm water solution. Do not use solvent-based or abrasive cleaners. Use a soft sponge and rinse with clean water. Wipe with a soft, clean towel to prevent water spotting.

#### Interior Cleaning (As Required)

- Disconnect power to the unit. Clean the interior and all removed components using a mild non-abrasive detergent and warm water solution applied with a soft sponge or non-abrasive cloth. Rinse the interior using a soft sponge and clean water.
- **Do not use any solvent-based or abrasive cleaners. These types of cleaners may transmit taste to the interior products and damage or discolor the interior.**

### Maintenance

Proper maintenance of your U-Line product will ensure efficiency, top performance and long life. The maintenance intervals listed are based on normal conditions. You may want to shorten the intervals if you have pets or other special considerations.

#### Defrosting

##### Manual Defrost Models - Every Two Months (Minimum)

#### WARNING

**DO NOT use any type of electrical heating device, ice pick, knife or other sharp instrument to defrost; this could damage the inner lining or refrigeration system and void the warranty.**

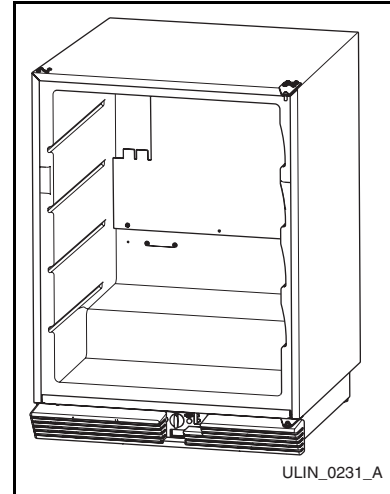


Figure 4

To defrost:

1. Turn unit off.
2. Remove all products from the interior.
3. Remove all glass shelving from unit. Allow glass to acclimate to room temperature, then clean and set aside to reinstall after defrosting unit.
4. Prop the door in an open position (2" (5 cm) minimum).
5. Allow the frost to completely melt naturally. Clean the interior and all removed components using a mild non-abrasive detergent and warm water solution applied with a soft sponge or non-abrasive cloth. **NOTE: DO NOT use any solvent-based or abrasive cleaners. They will discolor or damage the interior.**
6. Dampen a soft sponge or non-abrasive cloth in clean water and wipe down the cabinet interior and removed components to remove any detergent residue. Rinse the sponge or cloth in clean water and repeat as necessary until the cabinet and components are clean.
7. When the interior is dry, reinstall glass shelving, making sure back strips are attached on back edge of glass fully. Then slide glass back into unit fully and turn unit back on.



## Condenser Cleaning

### Interval - Every Three Months

To maintain operational efficiency, keep the front grille free of dust and lint, and clean the condenser every three months. Depending on environmental conditions, more or less frequent cleaning may be necessary.

**⚠ WARNING**

**Disconnect electric power to the unit before cleaning the condenser.**

**⚠ WARNING**

**DO NOT touch the condenser fins. The condenser fins are SHARP and can be easily damaged.**

**IMPORTANT**

**DO NOT use any type of cleaner on the condenser unit.**

1. Disconnect power to the unit.

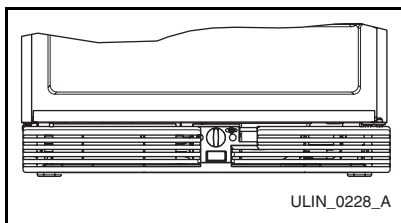


Figure 5

2. Remove the control knob (Figure 5, 1) by pulling it straight out, away from grille.
3. Remove screw from grille (Figure 5, 2) and save.
4. Remove the grille.

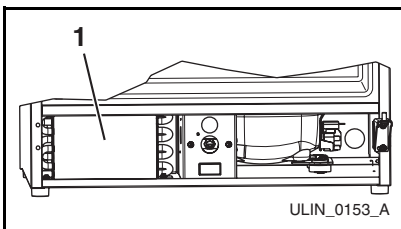


Figure 6

5. Clean the condenser coil (Figure 6, 1) using a soft brush with a "combing" action or vacuum cleaner. Do not touch the condenser coil.

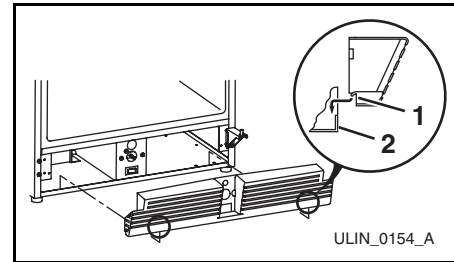


Figure 7

6. Place the two hook-hinges (Figure 7, 1) located on the rear bottom side of the grille onto the front lip of the unit base. Swing the grille up into position, and align the screw hole on the grille to the grille screw hole on the cabinet.
7. Insert the screw (Figure 5, 2). Do not overtighten.
8. Reinstall the control knob (Figure 5, 1).
9. Reconnect power to the unit.

## Leveling

It is important that units equipped with adjustable feet are level, for proper door and ice maker (if equipped) operation.

To level units with adjustable feet:

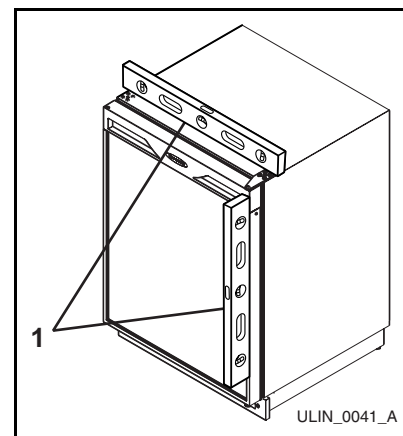


Figure 8

1. Use a level to check the levelness of the unit from front to back and from side to side. Level should be placed along top edge and side edge as shown (Figure 8).

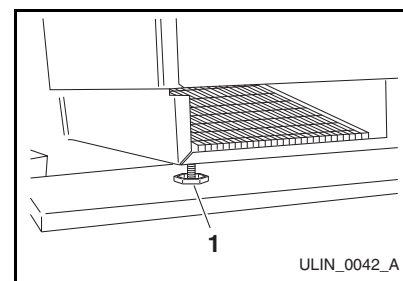


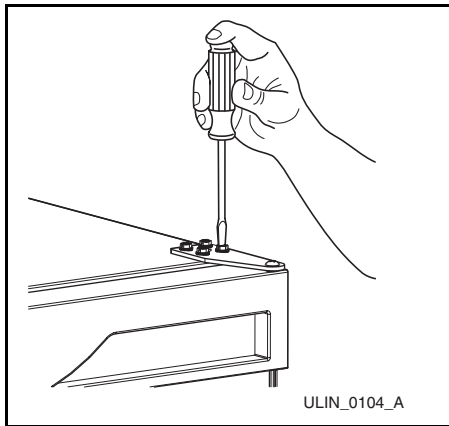
Figure 9

- If the unit is not level, adjust the feet on the corners of the unit as necessary (**Figure 9**).
- Check the levelness after each adjustment and repeat the previous steps until the unit is level.

### Door Alignment Check and Adjustment

#### IMPORTANT

Properly aligned, the door's gasket should be firmly in contact with the cabinet all the way around the door (no gaps). Carefully examine the door's gasket to assure that it is firmly in contact with the cabinet. Also make sure the door gasket is not pinched on the hinge side of the door.



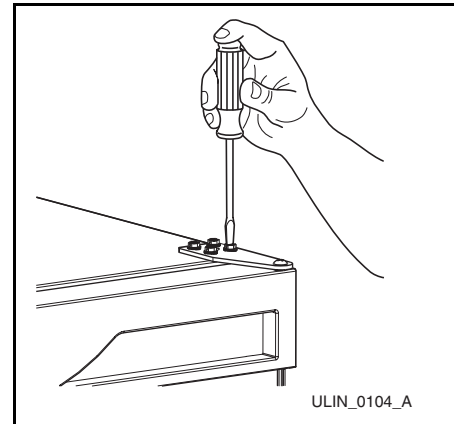
**Figure 10**

**NOTE:** It may be necessary to remove the grille to access lower hinge screws.

- Loosen (do not remove) top (**Figure 10**) and bottom hinge screws.
- Align door squarely with cabinet.
- Make sure gasket is firmly in contact with cabinet all the way around the door (no gaps).
- Tighten bottom hinge screws.
- Tighten top hinge screws.

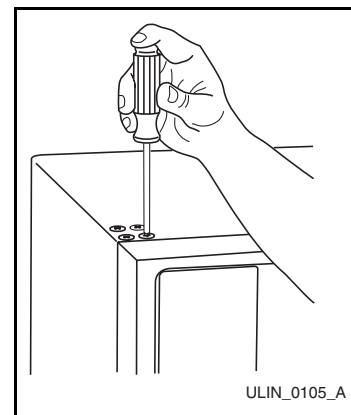
### Door Reversal

To reverse the door, perform the following:



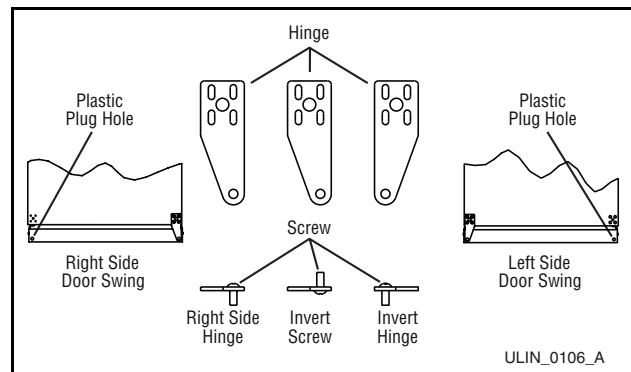
**Figure 11**

- Remove grille unit.
- Remove top hinge from cabinet (four screws) (**Figure 11**). Hold door to keep it from falling.
- Lift the door off the bottom hinge.



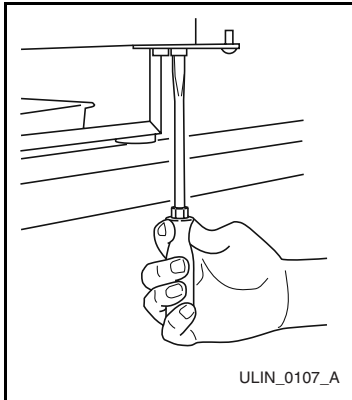
**Figure 12**

- Remove four plastic plugs (**Figure 12**) in hinge holes, top of cabinet, opposite side. Be careful not to scratch cabinet.



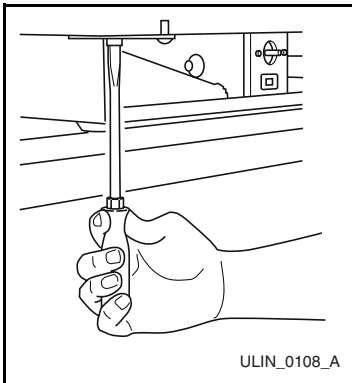
**Figure 13**

- Remove pivot screw from top hinge, invert screw and reinstall pivot screw in top hinge (**Figure 13**). Do not install hinge on cabinet at this time.



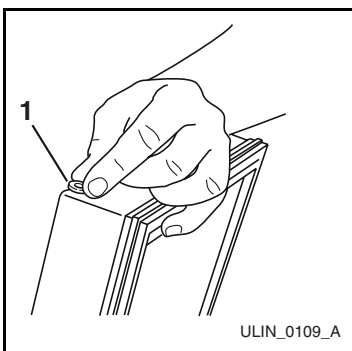
**Figure 14**

- Remove bottom hinge from cabinet (four screws) and screws on opposite side of cabinet (**Figure 14**).
- Remove pivot screw from bottom hinge, invert screw and reinstall pivot screw in hinge (**Figure 13**).



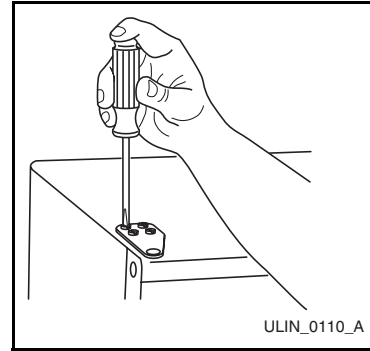
**Figure 15**

- Install bottom hinge on cabinet, opposite side, aligning flat edge of hinge with outer edge of unit (**Figure 15**). Partially tighten screws.



**Figure 16**

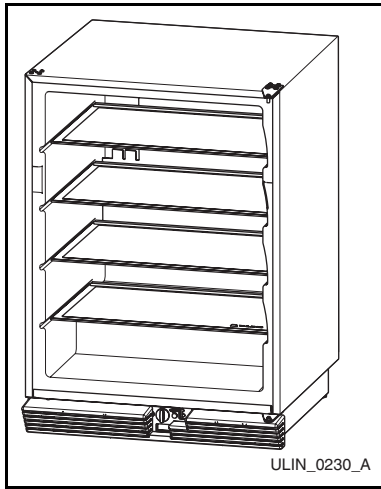
- Relocate plastic spacer/bushing (**Figure 16**) on bottom of door to the opposite side. Clean out bushing hole in door bottom if necessary.



**Figure 17**

- Place door on lower hinge pin. Align flat edge of top hinge with outer edge of unit and fasten upper hinge to unit (four screws) (**Figure 17**). Partially tighten screws.
- Adjust door to assure proper seal. Tighten upper and lower hinge screws securely.
- Replace four plastic plugs removed in Step 3 into holes on top of unit. Replace screws in holes in bottom of unit on opposite side.
- Reinstall grille to unit.

## Glass Shelf Removal/Installation



**Figure 18**

Reposition the shelves as follows:

1. Grasp the shelf edge in the center and slide the shelf from the unit.
2. Reposition the shelf as required, ensuring the raised white edge strip is toward the rear of the unit and the decorative graphics, if applied, are on the underside of the shelves.
3. Push the shelf in completely.

### **IMPORTANT**

- **Make sure the shelves are inserted fully into the unit.**
- **The white edge strip toward the rear prevents items from freezing against the cold evaporator.**

## **7** Service

### **Before Calling for Service**

If your U-Line product appears to be malfunctioning, read through the OPERATION section of this guide to ensure that the function of all controls are clearly understood. If the malfunction persists, the TROUBLESHOOTING GUIDE in this guide will assist you in quickly identifying common problems, and provide information on possible causes and remedies. Most often, this will resolve the problem without the need to call for service.

### **If Service is Required**

If you do not understand a troubleshooting remedy, or your product needs service, contact U-Line Corporation directly. Contact information appears on the rear cover of this guide.

You will be asked for your product Model and Serial Numbers. This information should be recorded inside the front cover of this guide, following the products original purchase. It also appears on the Model and Serial number plate located on the upper right or rear wall of the interior of your product.

### **Replacement Parts**

When you need replacement parts, always request that genuine U-Line replacements be used. U-Line products have been designed and engineered using components that work efficiently, and provide superior service life and performance. The use of aftermarket parts or components may affect the safety, operation, performance or durability of your product, and may also void its warranty.

## Troubleshooting Guide

### DANGER

#### **ELECTROCUTION HAZARD**

**Never attempt to repair or perform maintenance on the unit until the main electrical power has been disconnected.**

**Troubleshooting - What to check when problems occur:**

PROBLEM	POSSIBLE CAUSE	REMEDY
Unit not cold enough	Door gasket not sealing properly	Adjust door (See MAINTENANCE; DOOR ALIGN, ADJUST, REVERSE).
	Item(s) interfering with door	Reposition or remove item(s).
	Dirty condenser coils	Clean condenser (See MAINTENANCE; CONDENSER CLEANING).
	Airflow to front grille blocked	Airflow must not be obstructed to front grille (See OPERATION).
	Temperature not set cold enough	Set control knob to cooler setting (See OPERATION). Allow 24 hours for temperature to stabilize.
The unit frosts up.	Unit is manual defrost model.	Models SP18, 95, 98, CO29, CO75 and 75F are manual defrost (See MAINTENANCE; DEFROSTING).
	Door gasket not sealing properly	Adjust door (See MAINTENANCE; DOOR ALIGN, ADJUST, REVERSE).
	High ambient temperatures or humidity	Defrost unit manually (See MAINTENANCE; DEFROSTING).
Noise during operation	Certain sounds are normal.	Soft sounds from the fan will be heard.
	Fan blade touching obstruction (wiring, foam insulation, etc.)	Remove obstruction.

This page intentionally left blank

## U-Line Corporation Limited Warranty

U-Line Corporation warrants each U-Line product to be free from defects in materials and workmanship for a period of one year from the date of purchase; and warrants the sealed system (consisting of the compressor, the condenser, the evaporator, the hot gas bypass valve, the dryer and the connecting tubing) in each U-Line product to be free from defects in materials and workmanship for a period of five years from the date of purchase. During the initial one-year warranty period for all U-Line products U-Line shall: (1) at U-Lines option, repair any product or replace any part of a product that breaches this warranty; and (2) for all Marine, RV and Domestic U-Line products sold and serviced in the United States (including Alaska and Hawaii) and Canada, U-Line shall cover the labor costs incurred in connection with the replacement of any defective part. During years two through five of the warranty period for the sealed system, U-Line shall: (1) repair or replace any part of the sealed system that breaches this warranty; and (2) for all Marine, RV and Domestic U-Line products sold and serviced in the United States (including Alaska and Hawaii) and Canada, U-Line shall cover the labor costs incurred in connection with the replacement of any defective part of the sealed system. All other charges, including transportation charges for replacements under this warranty and labor costs not specifically covered by this warranty, shall be borne by you. This warranty is extended only to the original purchaser of the U-Line product. The Registration Card included with the product should be promptly completed by you and mailed back to U-Line or you can register on-line at [www.U-LineService.com](http://www.U-LineService.com).

The following are excluded from this limited warranty: installation charges; damages caused by disasters or acts of God, such as fire, floods, wind and lightening; damages incurred or resulting from shipping, improper installation, unauthorized modification, or misuse/abuse of the product; customer education calls; food loss/spoilage; door and water level adjustments (except during the first 90 days from the date of purchase); defrosting the product; adjusting the controls; door reversal; or cleaning the condenser.

If a product defect is discovered during the applicable warranty period, you must promptly notify either the dealer from whom you purchased the product or U-Line at P.O. Box 245040, Milwaukee, Wisconsin 53224 or at 414-354-0300. In no event shall such notification be received later than 30 days after the expiration of the applicable warranty period. U-Line may require that defective parts be returned, at your expense, to U-Lines factory in Milwaukee, Wisconsin, for inspection. Any action by you for breach of warranty must be commenced within one year after the expiration of the applicable warranty period.

**This limited warranty is in lieu of any other warranty, express or implied, including, but not limited to any implied warranty of merchantability or fitness for a particular purpose; provided however, that to the extent required by law, implied warranties are included but do not extend beyond the duration of the express warranty first set forth above. U-Lines sole liability and your exclusive remedy under this warranty is set forth in the initial paragraph above. U-Line shall have no liability whatsoever for any incidental, consequential or special damages arising from the sale, use or installation of the product or from any other cause whatsoever, whether based on warranty (express or implied) or otherwise based on contract, tort or any other theory of liability.**

Some states do not allow limitations on how long an implied warranty lasts or the exclusion or limitation of incidental or consequential damages, so the above limitations may not apply to you. This warranty gives you specific legal rights, and you may also have other rights which vary from state to state.



**For General Inquiries:**

P.O. Box 245040  
Milwaukee, Wisconsin  
53224-9540 U.S.A.  
Phone (800) 779-2547  
FAX (414) 354-5696  
[www.U-Line.com](http://www.U-Line.com)

**For Service and Parts Assistance:**

Phone (800) 779-2547  
(414) 354-0300  
FAX (414) 354-5696  
Email:  
[OnLineService@U-Line.com](mailto:OnLineService@U-Line.com)  
[www.U-LineService.com](http://www.U-LineService.com)  
E-mail:  
[OnlineParts@u-line.com](mailto:OnlineParts@u-line.com)

# Origins Series

For more than four decades, U-Line has distinguished itself as the leader in built-in under-counter ice making, refrigeration and wine storage appliances.

An INSTALLATION MANUAL for your unit, providing complete installation information, is available for download at [www.U-Line.com](http://www.U-Line.com). Information for custom panel inserts per model, including panel size, and instructions are available by visiting [www.U-Line.com](http://www.U-Line.com).

When you need replacement parts, always request genuine U-Line replacements be used. Visit [www.U-Line.com](http://www.U-Line.com) to locate a parts distributor in your area.

*Echelon*™ SERIES / *Origins* SERIES

U-Line Corporation, located in Milwaukee, WI, is a family operated manufacturer of built-in undercounter ice makers, Combo® ice maker/refrigerators, Wine Captain® wine storage units, refrigerators, refrigerated drawers and refrigerator/freezers.



## Free Manuals Download Website

<http://myh66.com>

<http://usermanuals.us>

<http://www.somanuals.com>

<http://www.4manuals.cc>

<http://www.manual-lib.com>

<http://www.404manual.com>

<http://www.luxmanual.com>

<http://aubethermostatmanual.com>

Golf course search by state

<http://golfingnear.com>

Email search by domain

<http://emailbydomain.com>

Auto manuals search

<http://auto.somanuals.com>

TV manuals search

<http://tv.somanuals.com>