



Stainless

Black

ADA24R

ADA SERIES

FEATURES

PERFORMANCE

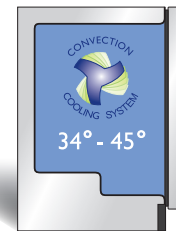
- 5.3 cubic feet overall capacity allows for storage of more than 7-1/2 cases of 12 oz beverages
- Touch pad digital control featuring easy view command center manages key functions and provides user alerts such as a door open alert
- Digital controlled single-zone convection cooling system provides a stable and consistent environment for optimum food and beverage storage
- Temperature setting from 34 to 45° F
- Sabbath / Blackout mode turns off all lighting, controls display and automatically resets after 36 hours
- Automatic defrost
- ENERGY STAR® / CEE Tier 3 rated
- UL residential and commercial listings

INTERIOR / EXTERIOR

- 28-1/2" height meets ADA height requirement yet maximizes allowable space
- Four heavy duty chrome wire shelves
- Standard commercial stainless steel handle is interchangeable with professional handle option for stainless steel model
- Stainless steel wrap door with black end caps on stainless model must be ordered left or right hand hinged
- Solid black door is field reversible
- Black vinyl clad textured cabinet is more resistant to scratching, peeling and flaking
- Door lock standard on all models

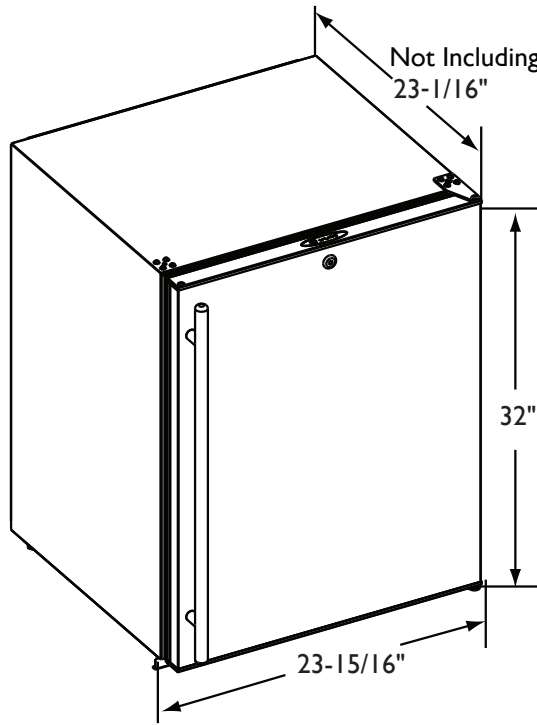
INTEGRATION

- Unit can be built-in or freestanding providing a custom aesthetic
- Allow a 2-1/2" clearance on hinged side for 90° door opening when installed adjacent to a wall (for stainless steel model)
- Black model will accept a 1/4" insert panel to match with surrounding decor
- Allow 1/4" width overall for proper installation (see backside for details)
- No additional clearance around sides, top or rear of unit is needed for ventilation
- Durable, factory installed level legs provide a more precise undercounter fit
- Do not obstruct front grille air flow

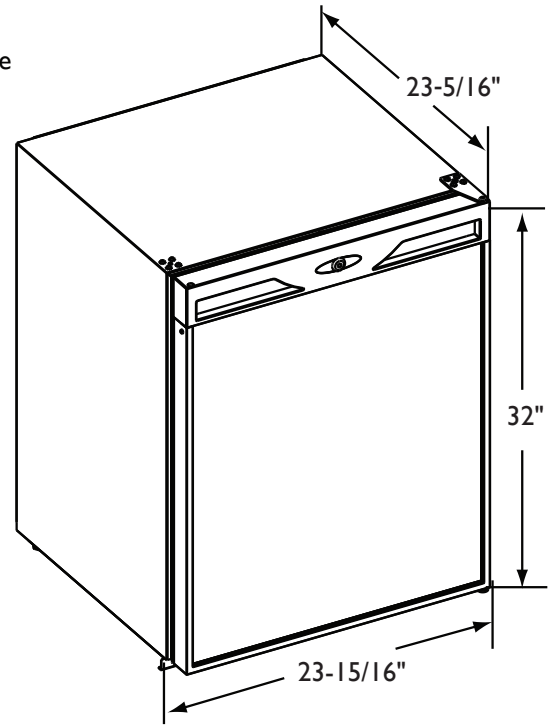


Single Zone
Convection Cooling
System featured in
ADA24R.





ADA24RS Stainless Model



ADA24RB Black Model

DIMENSIONS AND SPECIFICATIONS

OVERALL DIMENSIONS

Height	32" (81.3)
Width	23-15/16" (60.9)
Depth	23-1/4" (59.0)
With stainless steel handle	24-15/16" (63.3)

Shipping weight:

Solid Door Model 114 lbs (52 kg)

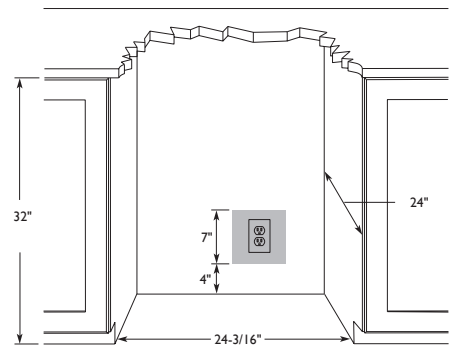
Running amps	2.4
Maximum start-up amps	9.8
Amps pertain to voltage rating	110/115 volt, 60 Hz
ENERGY STAR® and CEE Tier 3	

Capacities:

Defrost technology	Automatic
Refrigerator volume	5.3 Cu. Ft
Holds more than 7-1/2 cases of 12 oz canned beverages	

ADA24R

Stainless Right-hand	U-ADA24RS-I3
Stainless Left-hand	U-ADA24RS-I5
Black	U-ADA24RB-I3



Please visit www.u-line.com for installation guide.

All specifications are subject to change without notice.



Free Manuals Download Website

<http://myh66.com>

<http://usermanuals.us>

<http://www.somanuals.com>

<http://www.4manuals.cc>

<http://www.manual-lib.com>

<http://www.404manual.com>

<http://www.luxmanual.com>

<http://aubethermostatmanual.com>

Golf course search by state

<http://golfingnear.com>

Email search by domain

<http://emailbydomain.com>

Auto manuals search

<http://auto.somanuals.com>

TV manuals search

<http://tv.somanuals.com>