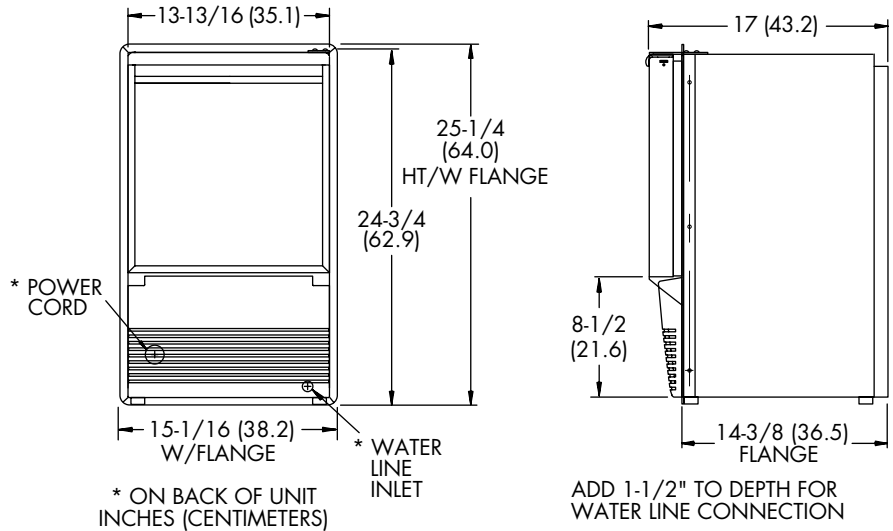
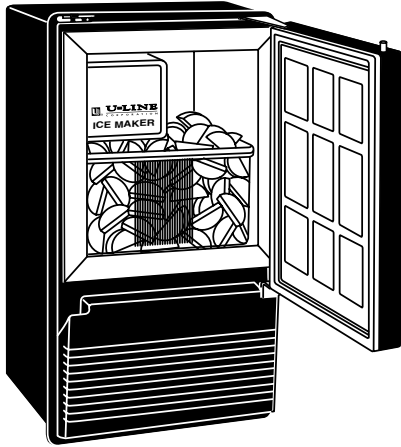


ICE MAKER

Model BI-95BTP



FEATURES

1. **High ice production**
2. **Requires no drain**
3. **Front vented for built-in installation**
4. **Conserves water**
5. **Conserves energy**
6. **Field reversible door with zero clearance door swing**
7. **Adjustable temperature control**
8. **1/2 inch wide flange**
9. **Corrosive resistant components**

BENEFITS

- Produces up to 23 lbs. of ice per day and stores 12 lbs.
- Easy and inexpensive to install. Only needs 1/4 inch outside diameter water line connection.
- No need for extra fans, air space, or special venting to the outside of the cabin. **Do not obstruct front grille.**
- Only 2-3/4 gallons of water required to produce approximately 22 lbs. of ice.
- Uses less electricity than a 75-watt light bulb.
- Fits any location, easy access.
- Permits adjustment of daily ice rate.
- Surrounds front of cabinet for easy mounting in surrounding cabinets.
- Hinges and fasteners are stainless steel to prevent corrosion.

ADDITIONAL FEATURES:

- Will accept flat or raised panel
- Panel size: H 13-15/32" X W 12-15/16"
- Travel pin keeps door securely closed
- See through, removable ice bucket
- Shipping weight: 65 lbs.
- Available in 110/115V 60 cycle or 220/230V 50/60 cycle

All specifications subject to change without notice.

Free Manuals Download Website

<http://myh66.com>

<http://usermanuals.us>

<http://www.somanuals.com>

<http://www.4manuals.cc>

<http://www.manual-lib.com>

<http://www.404manual.com>

<http://www.luxmanual.com>

<http://aubethermostatmanual.com>

Golf course search by state

<http://golfingnear.com>

Email search by domain

<http://emailbydomain.com>

Auto manuals search

<http://auto.somanuals.com>

TV manuals search

<http://tv.somanuals.com>