

**SS1095 • 14" Marine Crescent Ice Maker • Marine Series**

**FEATURES & BENEFITS**



**PERFORMANCE**

- Uses less than 3 gallons of water to produce up to 23 lbs of ice per day
- Up to 12 lbs in ice storage capacity
- Crescent ice cube dimensions: 1/2" W x 3/4" H x 1/2" L
- On/Off switch is conveniently located on the grille
- Available in 115 or 220 - 240 volts

**INTERIOR/EXTERIOR**

- No drain required
- Zero clearance door swing is field reversible
- Standard travel package includes door latch, ensuring safe-at-sea storage
- Corrosion and UV resistant components provide product longevity in harsh environments

**INTEGRATION**

- Unit is designed to be built-in or can be freestanding
- Multiple flange options



**STAINLESS SOLID (FLUSH TO CABINET)**



**STAINLESS SOLID (FLUSH TO DOOR)**



**STAINLESS SOLID (NO FLANGE)**

**MODEL DETAILS**

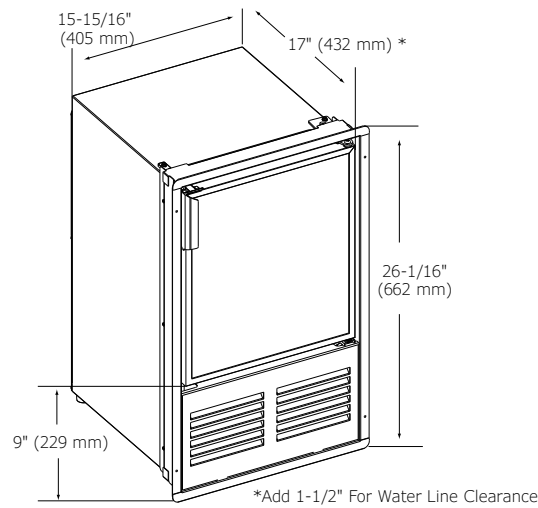
Model	Voltage	Door Swing	Finish	Shipping Weight
ULN-SS1095FCS-03A	115	Field Reversible (Flush to Cabinet)	Stainless Solid	66 lbs
ULN-SS1095FCS-20A	220 - 240	Field Reversible (Flush to Cabinet)	Stainless Solid	66 lbs
ULN-SS1095FDS-03A	115	Field Reversible (Flush to Door)	Stainless Solid	66 lbs
ULN-SS1095FDS-20A	220 - 240	Field Reversible (Flush to Door)	Stainless Solid	66 lbs
ULN-SS1095NFS-03A	115	Field Reversible (No Flange)	Stainless Solid	66 lbs
ULN-SS1095NFS-20A	220 - 240	Field Reversible (No Flange)	Stainless Solid	66 lbs

**ACCESSORIES**

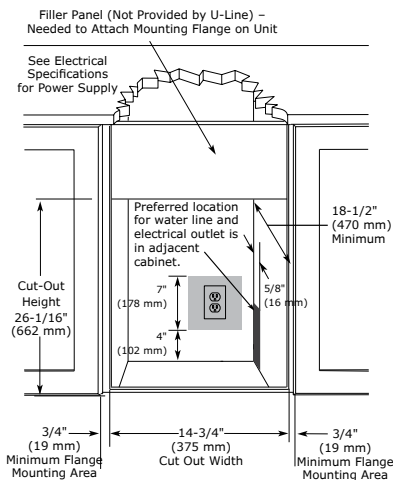
Model	Description	Finish	Shipping Weight
WATERHOOKUP	Braided water supply line kit	na	2 lbs

Marine Series • 14" Marine Crescent Ice Maker • **SS1095**

**DIMENSIONS**



**CABINET CUT-OUT**



**INSTALLATION NOTES**

No additional clearance around sides, top or rear of unit is needed for ventilation.

Do not obstruct front grille air flow.

**SPECIFICATIONS**

Model	SS1095
Amps: Running (115 v)	2.5
Amps: Running (220 - 240 v)	1.2
Amps: Max Start Up (115 v)	18
Amps: Max Start Up (220 - 240 v)	6
Control Type	on/off switch
Defrost Type	Manual
Dimensions (NF): Product Depth	17" / 432 mm
Dimensions (NF): Product Height	25 1/16" / 637 mm
Dimensions (NF): Product Width	14" / 356 mm
Dimensions (FC): Product Depth	17" / 432 mm
Dimensions (FC): Product Height	25 1/8" / 638 mm
Dimensions (FC): Product Width	15 1/8" / 384 mm
Dimensions (FD): Product Depth	17" / 432 mm
Dimensions (FD): Product Height	26 1/16" / 662 mm
Dimensions (FD): Product Width	15 15/16" / 405 mm
ENERGY STAR	na
Ice Production Per Day	23 lbs
Ice Storage	12 lbs
Product Weight: Max	60 lbs
Refrigerant Type	R134A
Sabbath (Star K Certified)	No

**ELECTRICAL REQUIREMENTS**

This unit requires a grounded a polarized 115 VAC, 60 Hz, 15 A power supply (normal household current).

UL listing only applies to 115 v models.

Please visit [u-line.com](http://u-line.com) to view this model's User Guide. All specifications are subject to change without notice.



## Free Manuals Download Website

<http://myh66.com>

<http://usermanuals.us>

<http://www.somanuals.com>

<http://www.4manuals.cc>

<http://www.manual-lib.com>

<http://www.404manual.com>

<http://www.luxmanual.com>

<http://aubethermostatmanual.com>

Golf course search by state

<http://golfingnear.com>

Email search by domain

<http://emailbydomain.com>

Auto manuals search

<http://auto.somanuals.com>

TV manuals search

<http://tv.somanuals.com>