



Stainless

## I075BEV

**1000 SERIES**

### FEATURES

**PERFORMANCE**

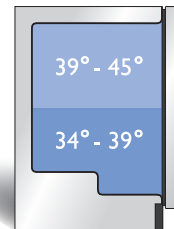
- 5.5 cubic feet overall storage capacity allows for up to 16 (.75L) wine bottles, 48 – 12 oz beer bottles and 65 – 12 oz cans
- Mechanical dial control
- Double-zone cooling system provides a stable and consistent environment for optimum beverage storage
- Temperature setting from 34 to 45° F
- UL residential listing

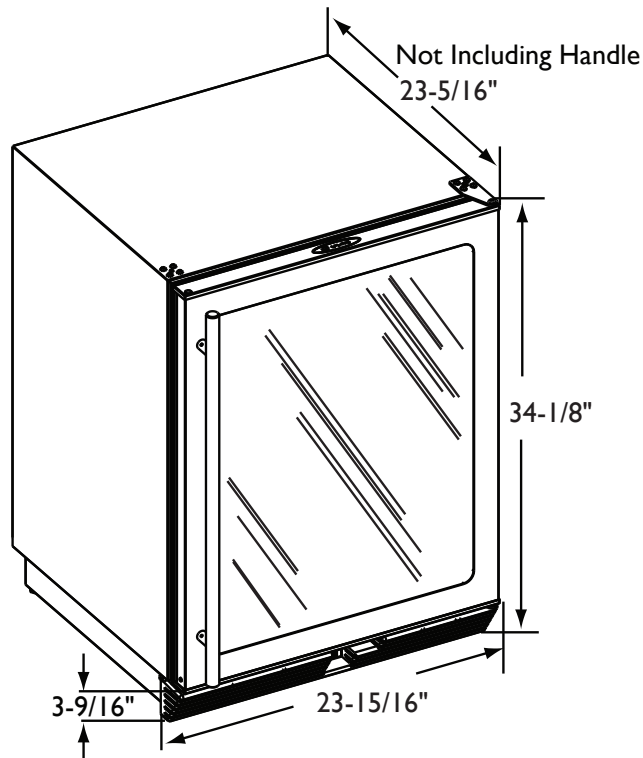
**INTERIOR / EXTERIOR**

- Lighted white interior optimizes elegant display and easy viewing of contents
- Two solid beech wood trimmed, 3/4 extension black powder coated wine racks
- Two 4mm tempered glass shelves with bullnose edge to maximize storage potential
- Standard commercial stainless steel handle is interchangeable with professional handle option
- Stainless steel model has stainless wrap door with black caps on top and bottom to make this unit field reversible
- LowE coated, argon gas filled thermopane glass door provides protection from potentially harmful UV rays and added insulating energy efficiency
- Black vinyl clad textured cabinet is more resistant to scratching, peeling and flaking

**INTEGRATION**

- Solid beech wood trim on wine racks can be stained to match surrounding cabinetry
- Unit can be built-in or freestanding providing a custom aesthetic
- Allow a 2-1/2" clearance on hinged side for 90° door opening when installed adjacent to a wall
- Allow 1/4" width overall for proper installation (see backside for details)
- No additional clearance around sides, top or rear of unit is needed for ventilation
- Durable, factory installed level legs provide a more precise undercounter fit
- Do not obstruct front grille air flow


 Double Zone System  
 featured in I075BEV.



I075BEVS Stainless Model

## DIMENSIONS AND SPECIFICATIONS

## OVERALL DIMENSIONS

Height	34-1/8" (86.6)
Width	23-15/16" (60.6)
Depth	23-5/16" (59.2)
With stainless steel handle	25-3/16" (63.9)

## Shipping weight:

Stainless steel wrap	126 lbs (58 kg)
----------------------	-----------------

Running amps	2.4
Maximum start-up amps	9.8
Amps pertain to voltage rating	110/115 volt, 60 Hz

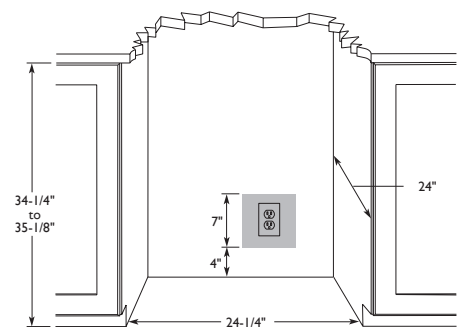
## Capacities:

Defrost technology	Automatic
Refrigerator volume	5.5 Cu. Ft
Wine bottle storage (0.75L)	Up to 16

## I075BEV

Stainless

U-1075BEVS-00

Please visit [www.u-line.com](http://www.u-line.com) for installation guide.

All specifications are subject to change without notice.



## Free Manuals Download Website

<http://myh66.com>

<http://usermanuals.us>

<http://www.somanuals.com>

<http://www.4manuals.cc>

<http://www.manual-lib.com>

<http://www.404manual.com>

<http://www.luxmanual.com>

<http://aubethermostatmanual.com>

Golf course search by state

<http://golfingnear.com>

Email search by domain

<http://emailbydomain.com>

Auto manuals search

<http://auto.somanuals.com>

TV manuals search

<http://tv.somanuals.com>