

1000 & ADA SERIES WINE CAPTAIN® MODELS BEVERAGE CENTERS REFRIGERATORS



1175WC



1115WC



1175BEV



1175R



1115R



ADA24RGLS

Introduction



Congratulations on your purchase of a U-Line refrigeration product.

Building on 45 years, U-Line has captivated those with an appreciation for the finer things with exceptional design, inspired innovations and attention to even the smallest details.

U-Line is synonymous with premium built-in under counter ice making, refrigeration and wine storage appliances, the U-Line Corporation is committed to luxury under the counter. U-Line is known and respected for unwavering dedication to product innovation, quality and selection. A bold and broad line of models is the product of visionaries in the pursuit of distinctive living environments in the kitchen and spaces beyond.

In 1962, Henry Uihlein founded U-Line Corporation as an outgrowth of Ben-Hur Freezer Company and was the first to develop and patent an automatic stand-alone under counter residential ice maker. His foresight and determination to develop new ideas and to succeed when there were no clear guidelines or solutions are evident today. The Milwaukee, Wisconsin based family operated business provides continuity and vision from which innovations continue to be born.

Going forward, U-Line will continue offering best-in-class products that build on the company's numerous patents and world firsts to guide the under counter industry in realizing its unlimited potential.

Read and save this Use and Care Guide.

IMPORTANT

READ all instructions in this guide completely before using the appliance for the first time.

For future reference, keep this guide in a safe, accessible location. If you need additional information or assistance, please contact U-Line Corporation direct. Contact information appears on the back cover of this guide.

Before Calling Service. If you think your U-Line product is malfunctioning, read the OPERATION section of this guide to understand clearly the function of the control. If the problem persists, read the TROUBLESHOOTING GUIDE section of this guide to help you quickly identify common problems, and provide information on possible causes and remedies.

Please Record Your Model Information

You will need your product model and serial number when you request additional information or services. You can find this information on the serial plate located on the upper right or back wall in the interior of your product. This information also appears on the warranty registration card.



Please record the model number (1), serial number (2), date of purchase, and dealer contact information for your U-Line product below:

Model Number:

Serial Number:

Purchase Date:

Dealer Name:

Dealer Address:

Dealer Telephone:

I Table of Contents

U-Line 1000 Series

i - Introduction	i
Read and save this Use and Care Guide.	i
Please Record Your Model Information	i
1 - Table of Contents	1
2 - Safety Precautions	3
Safety Alert Definitions	3
General Precautions	3
3 - 1000 Series Product Features	4
All 1000 & ADA Series Model Feature:	4
Wine Captain® Model and Beverage Center Features:	4
Wine Captain® Model Features:	4
Beverage Center Features:	4
Refrigerator Features:	4
ADA Refrigerator Features:	4
4 - Product Operation	5
Air Flow	5
Electronic Control Panel	5
Adjusting Air Temperature	5
Initial Startup	5
Checking Product Temperature	6
Interior Lighting	6
Electronic Control Quick Guide	7
5 - U-Line Wine Guide	8
Looking Behind the Label	8
Wine Selections Suggestions	8
Ideal Wine Storage Considerations	9
Wine Stocking Recommendation	10
Wine Rack Removal and Installation	10
Wood Trim Finishing	11
6 - Maintenance	12
Lightbulb Replacement	12
Removing and Installing Grille	12
Leveling	12
Removing and Installing Interior Shelves	13
Removing and Installing Door Shelves	13
7 - Standard Doors	15
Door Alignment and Adjustment	15
Door Reversability	15
Reversing the door	15
8 - Cleaning	17
Exterior Cleaning	17
Interior Cleaning	17
Defrosting	17
Condensor Cleaning	18
Storage, Vacation and Moving	18
Product Disposal	18
9 - Service	19
Before Calling for Service	19
If Service is Required	19
Replacement Parts	19
Normal Operating Sounds	19
Troubleshooting Guide	19
ii - U-Line Corporation Limited Warranty	21

2 Safety Precautions

IMPORTANT

- **PLEASE READ** all instructions before installing, operating, or servicing the appliance.
- Proper installation procedures must be followed when completing an installation or relocation of a unit. Consult the installation guide before any installation begins. U-Line contact information appears on the rear cover of this guide.
- This unit requires connection to a dedicated 15 Amp grounded (three-prong), polarized receptacle, installed by a qualified electrician, compliant with applicable electrical codes.

Safety Alert Definitions

Throughout this guide are safety items labeled with a Danger, Warning or Caution based on the risk type:

DANGER

Danger means that failure to follow this safety statement will result in severe personal injury or death.

WARNING

Warning means that failure to follow this safety statement could result in serious personal injury, property or equipment damage.

CAUTION

Caution means that failure to follow this safety statement may result in minor or moderate personal injury, property or equipment damage.

General Precautions

Use this appliance for its intended purpose only and follow these general precautions with those listed throughout this guide:

DANGER

RISK OF CHILD ENTRAPMENT. Before you throw away your old refrigerator or freezer, take off the doors and leave shelves in place so children may not easily climb inside.

WARNING

SHOCK HAZARD - Electrical Grounding Required.

- Never attempt to repair or perform maintenance on the unit until the electricity has been disconnected.
- Never remove the round grounding prong from the plug and never use a two-prong grounding adaptor.
- Altering, cutting of power cord, removal of power cord, removal of power plug, or direct wiring can cause serious injury, fire and or loss of property and or life, and will void the warranty.
- Never use an extension cord to connect power to the unit.
- Always keep your working area dry.

WARNING

Install provided Anti-Tip kit on all Wine Captain Models and Beverage Centers. Serious personal injury could occur.

CAUTION

- Use care when moving and handling the unit. Use gloves to prevent personal injury from sharp edges.
- If your model requires defrosting, **DO NOT** use an ice pick or other sharp instrument to help speed up defrosting. These instruments can puncture the inner lining or damage the cooling unit. **DO NOT** use any type of heater to defrost. Using a heater to speed up defrosting can cause personal injury and damage to the inner lining.

IMPORTANT

- Do not lift unit by door handle.
- Never install or operate the unit behind closed doors. Be sure front grille is free of obstruction. Obstructing free airflow can cause the unit to malfunction and will void the warranty.
- Failure to clean the condenser every six months can cause the unit to malfunction. This could void the warranty.
- Allow unit temperature to stabilize for 24 hours before use.
- Do not Block any internal Fans

Use only genuine U-Line replacement parts. Imitation parts can damage the unit, affect its operation or performance and may void the warranty.



All 1000 & ADA Series Model Feature:

Touch Pad Digital Controls. Provides ability to set and see the temperature. Manages key model functions and provides user alerts, except 1075 models.

Sabbath or "Black Out" mode. Easily turns off all lights and control displays. Automatically resets after 36 hours

Vinyl-clad cabinet. Textured, rich appearance. More resistant to scratching, peeling and flaking.

Integrated handle. Does not add depth to the cabinet when built in. Black and white models only.

Flat recessed grille. Blends with the other models and integrates with surrounding cabinetry.

Stainless steel model. Offers a bold stainless steel handle, stainless steel wrap door with black "cap" on top and bottom of the door

Field-reversible doors. Flexible installation options. All models with black and white doors are field-reversible. Stainless steel models with glass doors are field-reversible. Stainless steel solid door models must be order right- or left-hand hinged.

Adjustable leveling legs. Achieve a more precise under counter fit. Durable, strong legs will not bend when unit is installed.

Defrost Type: Automatic (cycle) Defrost

For indoor use only.

Wine Captain® Model and Beverage Center Features:

Adjustable on/off interior light. Automatically illuminates when the door is opened. May be manually turned on when door is closed for viewing one's wines. Auto shut-off after four hours. Recessed so as not to interfere with access to wine,

Low-E coated, gas filled thermal glass door. Allows for effective product presentation. Protects wine and other products from potentially harmful ultraviolet light rays

3/4 extension slide-out coated wine racks. Allow for easy access to all wine bottles. Four or eight wine bottle capacity (0.75 L) on each rack.

Wood trimmed wine racks. Wood can be stained or replaced with a solid surface material to match surrounding décor.

Wine Captain® Model Features:

Capacity. 15" Wine Captain Model up to 24 Bottles. 24" Wine Captain Model up to 48 Bottles.

Multiple temperature zones. Maintains wine at their proper serving temperature. Top Approximately 55°F (Red). Middle Approximately 50°F (White). Bottom Approximately 45°F (Sparkling). Safely stores three or two types, or a single type, of wine.

Stable temperatures. Stable, consistent temperatures provide longer-term storage capability.

Built-in. Provides custom look. No additional clearance around sides, top or rear of unit for ventilation. Do not obstruct front grille.

Beverage Center Features:

Capacity. 24" Beverage Center 5.5 cubic feet

Double temperature zones. Top two wine racks approximately 45°. Middle to lower refrigeration shelves - approximately 38°. - Store and serve beverages at their best-suited temperatures. Soda, water and beer at cooler temperatures. Wine at a warmer temperature - up to 16 (0.75 L) bottles.

Two full-size, removable glass shelves. Generous storage area for beverages.

Built-in or freestanding. Provides custom look when built-in with no additional venting clearance needed on sides, top or rear. Do not obstruct the grille.

Refrigerator Features:

Capacity. 15" Refrigerator 3.0 cubic feet. 24" Refrigerator Capacity 5.4 cubic feet

Recessed interior light. Automatically illuminates when door is opened. Does not interfere with product access or storage

Three adjustable tempered glass shelves. Sleek, streamlined interior. Allows flexible shelf locations to meet varying food and beverage storage needs

Two adjustable in-door storage shelves. Easiest access storage area right where you need it. Adjustable to allow flexible storage options

Door will accept a 1/4" panel. Ability to match surrounding décor and cabinets. Black and white models only.

Built-in or freestanding. Provides custom look when built-in with no additional venting clearance needed on sides, top or rear. Do not obstruct the grille.

15" and 24" Refrigerator are Energy Star qualified. Saves energy, saves money, saves our natural resources.

ADA Refrigerator Features:

Capacity. 5.7 Cubic feet.

Security. Includes factory installed door locks.

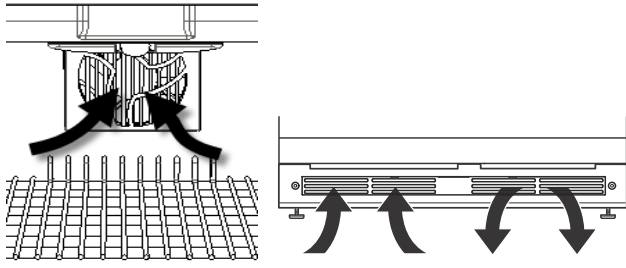
Adjustable shelving. Includes 4 adjustable wire shelves.

4 Product Operation

Air Flow

IMPORTANT

The unit requires proper air flow to perform at its highest efficiency. Do not block the front grille or internal fans at any time, or the unit will not perform as expected. Do not install the unit behind a door.



Initial Startup

All U-Line controls are preset at the factory. Initial startup requires no adjustments.

IMPORTANT

U-Line recommends allowing the unit to run overnight before loading refrigerator or freezer with product.

To turn the unit on or off, press and hold the ON OFF button (2) for about ten seconds and release. The display will show the unit set-point temperature when turned on and display OFF when the unit is off.

Electronic Control Panel

Digital Display. Wine Captain Models provide three temperature zones within the cabinet to satisfy the specific storage requirements of your finest wines.

The electronic control with digital display shows a single continuous set-point temperature. This set point is for the middle zone, it is a base number used by the controller to maintain the multiple temperature zones in the unit. The factory default set-point for Beverage Center and Refrigerator models is 38°F. The factory default set-point Wine Captain models is 50°F. The set-point temperature is a gauge for further temperature adjustments.

Turning the Display Off. Wine Captain Models and Beverage Centers have a DISPLAY OFF mode available through the control panel. This allows you to control if the display (3) will be ON or OFF with the door closed. The button sequence that follows will switch between both modes, On or Off:

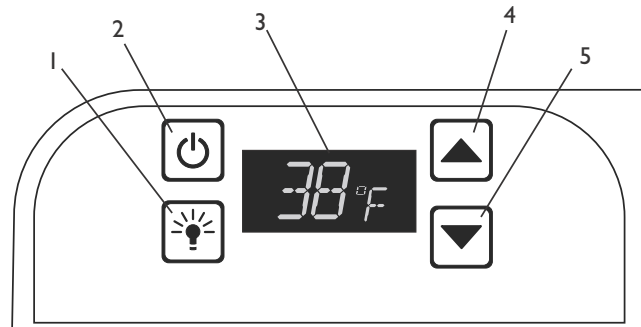
1. Press and hold the WARMER button (4), and simultaneously within five seconds press the ON OFF button (2) three times.
2. The display will be either visible or dark with the door closed.

To return to the previous mode, repeat Step 1.

Adjusting Air Temperature

IMPORTANT

Adjust the set point temperature in single increments, and wait 24 hours for the temperature to stabilize before rechecking.



To adjust the set point temperature:

1. Press and release either the WARMER (4) or COOLER (5) button to put the controller in the SET TEMPERATURE mode. The display (3) will begin to flash the °F (or °C) symbol.
NOTE: This mode will self-cancel in five seconds, and the display (3) will show the original set-point temperature.
2. Within five seconds (while the °F (or °C) symbol is flashing), press the WARMER or COOLER button as required to adjust the set point temperature.
3. The change sets five seconds after adjusting the temperature, and the display (3) will show the new set-point temperature.

Temperature °F °C Selection. U-Line products supplied for 110 VAC have temperatures displayed (3) default in Fahrenheit (°F). Models supplied for 220 VAC have temperatures displayed (3) default in Celsius (°C).

Easily adjust the display for either type temperature display.

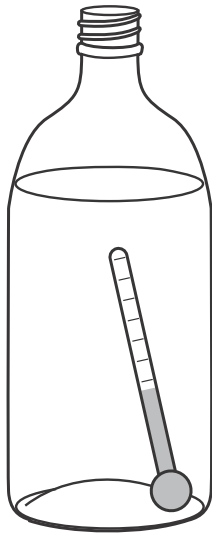
Press and hold the LIGHT button (1) and simultaneously within five seconds press the COOLER button (5) three times to change the display (3) as needed.

Temperature Display. The digital display shows set-point, air temperature. Under normal operating conditions the temperatures will fluctuate based on a number of factors including door openings, product load, room temperature, and humidity. On passive cooled units the temperature will always be cool toward the top and coolest toward the bottom.

To display actual temperature:

1. Press the WARMER button (4) for five seconds. The display (3) will indicate the actual temperature.
2. After about 10 seconds, the set point temperature will return to the display.

Checking Product Temperature



To check the actual product temperature in the unit.

1. Partially fill a plastic (nonbreakable) bottle with water.
2. Insert an accurate thermometer.
3. Tighten the bottle cap securely.
4. Place the bottle in the desired area for 24 hours.
5. Avoid opening the unit during the testing period.
6. After 24 hours, check the temperature of the water. If required, adjust the temperature control in a small increment (See ADJUSTING TEMPERATURE).

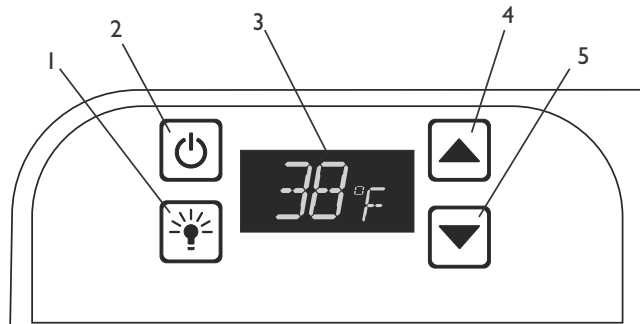
Causes which affect the internal temperatures of the cabinet include:

- Temperature setting.
- Ambient temperature where installed.
- Installation in direct sunlight or near a heat source.
- The number of door openings and the time the door is open.
- The time the internal light is illuminated. (This mainly affects product on the top rack or shelf.)
- The front grille or condenser are obstructed.

Interior Lighting

Normal Operation. Opening the door will cause the interior of the cabinet to illuminate.

Use the LIGHT button (1) on the control panel to change the lighting functions.



Timed Lighting. For Wine Captain Models and Beverage Centers the interior of the cabinet is illuminated for a timed four-hour period.

1. Press and release the LIGHT button (1) (the °F symbol will flash briefly) to switch from door-operated lighting control to the timed four hour lighting period.
2. At the end of the four-hour period, the light will turn OFF and door-operated lighting control will resume.
3. To exit the timed lighting control before the end of the four-hour period, repeat Step 1.


















Blackout (Sabbath) Mode. The interior of the cabinet and control display remains darkened for a 36-hour period (Blackout (Sabbath) Mode is not Star K certified).

To turn the lights and display OFF for a preset 36-hour interval.







1. Press and hold the LIGHT button (1) for ten seconds and release (the °F symbol will flash briefly at the end of the ten second period).
2. The interior light and control display (3) will go dark for the next 36 hours.
3. NOTE: Although the display will not be visible, the temperature controls in the unit remain active, and preserve the interior temperature.

To exit the Blackout (Sabbath) Mode before the 36-hour period, repeat Step 1.

Electronic Control Quick Guide

Task	Touch	Touch	Display	Comment
Turn ON/OFF	 Hold 10 seconds	Release when °F flashes.	 or 	
Adjust Temperature	 or  Touch and release	 or  Touch to change temperature		°F flashes after first touch, set-point saved after 5 seconds of inactivity and °F stops flashing.
View Actual Temp	 Hold 5 seconds	Release when °F flashes.		WC models will scroll top/ mid/bottom temps.
Change F/C	 Hold	  	 or 	
Blackout Mode	 Hold 10 seconds		Display (and cabinet light) will not operate in Blackout Mode.	Blackout will end in 36 hours, or hold again to terminate early.

Glass Door Models Only

Cabinet Light				Light normally goes on/off with door opening. Pressing light button will turn interior light on for 4 hours, then it will turn off.
Display Off Mode		  		Display off when door is closed (unless cabinet light is turned on). Repeat to switch back.

NOTE: 38°F is an example; the display will vary with actual set-point.

Looking Behind the Label

To most, wine is a delicious mystery. We purchase it, uncork it, and savor its taste and beauty. But there is so much more to true wine appreciation. Many secrets are simply too good to keep bottled up.

Wine Selections Suggestions

Selecting the right wine for the right occasion can sometimes be a seemingly awkward or difficult task for the beginning wine enthusiast. We would therefore like to present you with a few suggestions which may provide a little more confidence and enjoyment when choosing and serving your wines.

When selecting wines, keep an open mind and do not be afraid to be adventurous. Do not view the subject of wine so seriously it discourages you from learning and discovering for fear of embarrassment if something is incorrect. Wine is best viewed as a hobby and enjoyed.

When assembling your collection, try not to become obsessed with "Vintages." Although a chart can be a useful tool, generalizations about a specific year have led more than one collector to disappointment. Often an "Off Year" will provide a better value and more drinking enjoyment.

The primary guideline to the subject of wine is your own palate. Do not be afraid to make mistakes. Experiment, discover, but most of all, enjoy yourself and your new U-Line product.

Guide To Common Styles Of Wine

Red Wines		
Full-Bodied Dry	California French Italian	Zinfandel, Cabernet Rhone, Chateauf-neuf-du-Pape Barbaresco, Barolo
Medium-Bodied Dry	California French	Pinot Noir Bordeaux, Burgundy
Light-Bodied Dry	French Italian	Beaujolais Chianti, Bardolino
White Wines		
Full-Bodied Dry	California French	Chardonnay Montrachet, Meursault Puligny-Montrachet
Medium-Bodied Dry	California French	Sauvignon-Blanc Pouilly-Fuisse, Sancerre, Vouvray, Graves
Light-Bodied Dry	French	Chablis, Muscadet, Pouilly-Fume
Full-Bodied, Very Sweet	Germany Freny Hungary	Beerenauslese Sauternes Tokay
Medium-Bodied, Semi-Sweet	California Germany	Gewurtztraminer Liebfraumilch
Light-Bodied Off Dry	Germany	Rhine, Mosel, Riesling

Matching Food and Wine

Although there are no hard fast rules for matching wine to food, observe some guidelines. Delicate dishes should be accompanied by lighter more delicate wines. Full-flavored foods should be matched with fuller-bodied wines.

As a general rule, one should aim to ascend in flavor and quality of wines served.

Serve a:	Before a:
DRY wine	SWEET wine
WHITE wine	RED wine
YOUNG wine	OLD wine
LIGHT-BODIED wine	FULL-BODIED wine

Any step back in quality will be noticed. If a fine wine is tasted prior to a lesser wine, many of the fine wine's subtle qualities may be missed.

Common Food and Wine Matches

Foods	Wines
Fish, Shell Fish, Crab, Oysters	Dry White Wines, Light Sparkling or Extra Dry Champagne
Beef, Venison	Full-Bodied Red Wines
Pork, Veal, Lamb and Poultry	Light-Bodied Red Wines
Fruit	Sweet White and Sparkling Wines

A Toast to Wine Truths

Like the grapes themselves, many wine myths have been cultivated over the centuries.

Myth 1: Most wines taste better when aged.

Truth: In fact, less than 5% of wines produced today are meant to be aged. Most wines are crafted to be consumed within the first one to two years.

Myth 2: Wines should be uncorked and decanted allowing them to "breathe."

Truth: To breathe or not breathe? While it is better to allow a young tannic Red to breathe in a glass or decanter to soften the tannins, an old Red reaches a stage in its life where it should be enjoyed soon after opening. Allow an old Red to breathe for a short time to dissipate any off odors. Most white wines can be served, ideally, 10-15 minutes after opening.

Myth 3: When age worthy wines peak, they must be consumed almost immediately.

Truth: Most great wines reach a plateau period rather than a peak. Great Bordeaux's may have as much as a 10-year plateau before fading.

Myth 4: Wine color does not change with aging.

Truth: As red wines age they get lighter in color while whites get darker.

The Cork: A Mystery on Its Own.

Cork Presentation. The ritual of the presentation of the cork has a rich and fascinating history dating back to the late 1800's. A phylloxera (root louse) devastation to the vineyards severely limited the supply of great wines. Restaurateurs would remove labels on inferior wines and replace them with labels from superior wines. This made it necessary for patrons to protect themselves by checking the branding on the cork to ensure that what they ordered was, in fact, what they were served.

When presented with a cork today, feel it to check for its integrity, read and match the branding on the cork to the bottle and set it aside. There is little to be learned from the cork. The proof is in the wine.

Corked" wines. If you've ever had a wine that smelled or tasted of mold, you've experienced a wine that may have been "corked." Today, between five and eight percent of wines are tainted with Trichloroanisole (TCA). This substance, found naturally in plants and trees, is imparted to the wine through the cork. Corked wines are a major concern for winemakers as it destroys millions of cases per year and puts reputations at stake. Amazing as it may seem twist-off caps may offer a better alternative and many great wineries in California, Australia and New Zealand are pioneering the trend.

Common Tasting Terms

Terminology	Description
Acidity	A critical element of wine that is responsible for preserving the wines freshness. Excess acidity results in an overly tart and sour wine.
Balance	A desired trait where tannin, fruit and acidity are in total harmony. Wines with good balance tend to age gracefully.
Body	The weight and presence of wine in the mouth provided by the alcohol and tannin level. Full-bodied wines tend to have this strong concentration.
Bouquet	The blending of a wine's aroma within the bottle over a period of time, caused by volatile acidity.
Complex	A subjective term often used in tasting. A wine is said to be complex if it offers a variety of flavors and scents that continue to evolve as it develops.
Flabby	A wine that lacks structure, or is heavy to the taste, lacks acidity.
Full-Bodied	Wine high in alcohol and extract, generally speaking, fills the mouth, powerful.
Lean	Generally describes wines that are slim, lacking of generosity or thin.
Oaky	A desirable flavor imparted to wine if done in moderation. Most wines are aged in oak barrels one to three years, thereby receiving this toasty oak characteristic. However, if a weak wine is left in contact too long with an oak barrel it will tend to be overpowered with an oaky taste.
Tannin	Tannins are extracted from the grape skins and stems and are necessary for a well-balanced red wine. Tannins are easily identified in wine tasting as the drying sensation over the gums. Tannins generally fade as a wine ages.

Ideal Wine Storage Considerations

Temperature: The most important element about storage temperature is stability. If wine is kept in a stable environment between 40°F and 65°F, it will remain sound. A small 1-2 degree temperature fluctuation within a stable environment is acceptable. Larger temperature fluctuations can affect the corks ability to seal, allowing the wine to "leak" from the bottle.

Humidity: The traditional view on humidity maintains that wines should be stored on their sides in 50% - 80% relative humidity to ensure cork moisture and proper fit in the bottle. Contemporary wisdom suggests that the cork surface is too small to be impacted by humidity. Further the cork is sealed with a metal or wax capsule making humidity penetration impossible. The concept of a humid storage environment was derived from the necessity of wineries to maintain moisture in their cellars to keep wooden barrel staves swollen, preventing wine evaporation and product loss. In fact, vineyards estimate as much as a 10% product loss per year due to evaporation while wine is aging in the wooden barrels. Humidity, however, was not intended for the modern home cellar where wine is stored in glass bottles with sealed corks.

Light: UV rays are not only harmful to people, they are damaging to wines - especially those in clear bottles. Since oxygen molecules in wine absorb UV rays, wine should never be stored in direct light for long periods of time.

Vibration: Provided that sediment is left undistributed and particles are not suspended, vibration in a storage environment is not an issue. Wines can become flat or tired when voids and vacuums are created inside the wine bottle. In order to create voids and vacuums within a liquid, aggressive motion or shaking of the wine bottle would have to occur.

The Right Temperature for Wine

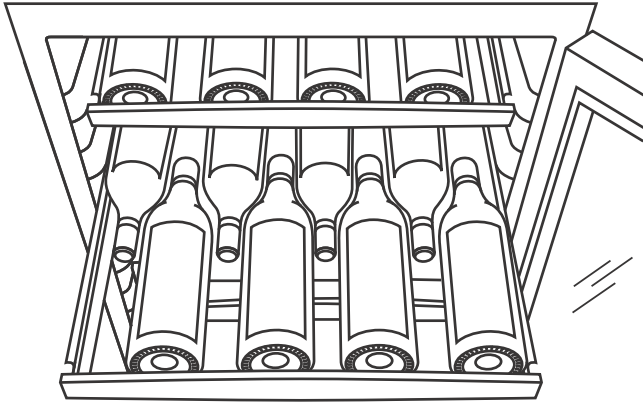
Temperature	Wines
Approximately 60°F (15°C)	Red
50°F - 55°F (10°C -12°C)	White
Approximately 45°F (7°C)	Sparkling

Wine Captain® Models - A Touch of Elegance

In 1985 U-Line was the first North American appliance manufacturer to develop a residential wine storage unit, the Wine Captain®. Each U-Line Wine Captain® model is designed to impress and inspire anyone with an interest in wine by providing cellar conditions in stylish, undercounter units. U-Line Wine Captain models offer stable storage temperatures, a 50% internal relative humidity and protection from UV light rays. U-Line has the largest product offering available, making storing, presenting, and sharing your wine effortless and elegant.

Wine Stocking Recommendation

Specially designed horizontal wine racks properly positioned the bottles so the wine remains in contact with the cork and assure the cork does not become dry.



Stock the unit as follows:

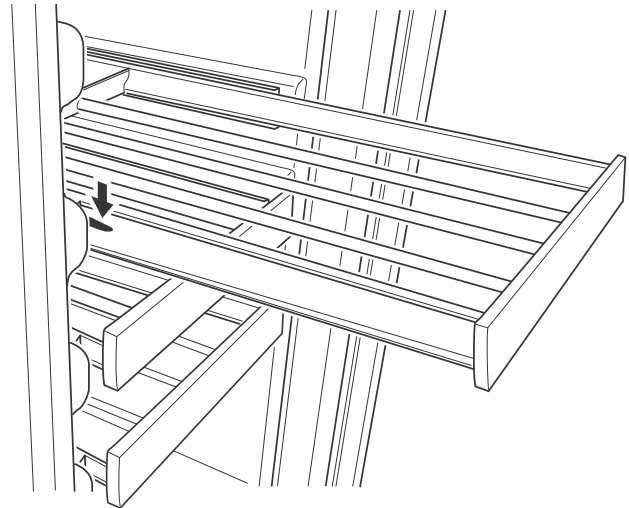
1. Stock the wine racks beginning with the lowest rack, at the back, and working forward. Stagger the bottles as shown.
2. Repeat Step 1 to stock the next higher rack, and continue until all racks are filled.

NOTE: After stocking, allow unit to run 24 hours to stabilize product temperatures.

Wine Rack Removal and Installation

To remove a rack from the cabinet:

1. Remove any bottles stored on the rack.
2. Grasp the end of the rack, and gently slide it out until it stops.



3. Press the left rack release lever down. At the same time, lift the matching right rack release lever up. Pull the rack out until it is free of the tracks and the cabinet.

IMPORTANT

Do not remove the track rails from the cabinet.

To insert a rack in the cabinet:

Align the left and right rack channels with the tracks in the cabinet. Ensure an even track engagement on both sides by gently pushing the rack into the cabinet until it stops.

Before reloading the rack, ensure proper movement of the travel stops in the left and right track rails by pulling the rack

Wood Trim Finishing

WARNING

You **MUST** remove the wood trim from the unit for staining or finishing to prevent permanent damage to the inner liner of the unit. Allow stain or finish to dry thoroughly (at least 24 hours for each coat) following the product manufacturer's instructions before reinstallation. Not following this warning may cause the inner liner of the unit to have a permanent odor, which the warranty will not cover.

U-Line products featuring wine storage include wood-trimmed wine racks.

Models with wood colored wood trim come factory coated with a clear vinyl sealer without a finish coat applied, which will sufficiently protect the wood in normal use. You may coat the trim on the racks with stain or a final finish following these guidelines. If using custom wood trim also follow these guidelines.

If staining the trim, stain before applying any final finish. Review the following staining and final finish application and final finish-only application guidelines when staining or sealing the wood to ensure proper adhesion and durability of the finish.

NOTE: On glass door models the stain may look darker with the door closed looking through the glass.

Staining and final finish application:

IMPORTANT

DO NOT use oil-based stains on wood trim. Vapors from oil-based stains will permanently penetrate the liner and will not dissipate over time.

1. Remove all screws securing wood trim to interior parts, and remove the trim from the cabinet interior.
2. Lightly sand and clean wood.
3. Apply Minwax® Water-Based Wood Stain to wood with a synthetic bristle brush or a foam applicator. Allow stain to penetrate about three minutes. Before the stain is dry, take a stain dampened rag and remove any excess stain remaining. Wipe towards the grain with medium pressure to achieve the desired stain color.
4. After two hours, repeat step 2. This will even out the color of the wood.
5. Allow stain to dry for a minimum of three hours before applying the final finish.
6. If desired, sand the wood with very fine sandpaper to smooth the surface after staining.
7. Remove all dust from the wood, and apply one coat of Minwax® Polycrylic® Protective Finish using a synthetic bristle brush to the wood. Apply this finish in a thin coat following towards the grain. Apply the finish to the back and sides of the wood first, and allow it to dry for two hours. Apply the finish to the front side of the wood next, and allow it to dry for two hours. Sand with very fine 220 grit sandpaper. Apply two more coats of finish in the same manner, but do not sand the trim after applying the final third coat.
8. Allow the final coat to dry for 24 hours before reinstalling the trim to the cabinet interior parts.

Final finish-only application:

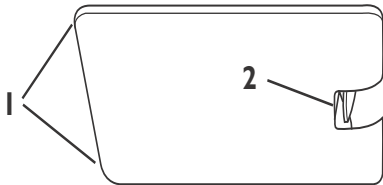
1. Remove all screws securing wood trim to interior parts, and remove the trim.
2. Lightly scuff sand the wood trim with 280 or finer grit sandpaper.
3. Remove sanding dust with a clean, dry cloth.
4. The factory-applied seal is compatible with almost all finishes. A low odor, water clean up, quick-drying finish such as Minwax® Polycrylic® Protective Finish is recommended (Minwax® Polycrylic® is an ultra fast-drying water-based finish). Apply a thin coat of a clear, protective finish, following the container label directions.
5. Lightly sand and reapply if desired.

Allow the final coat to dry for 24 hours before reinstalling the trim to the cabinet interior parts.

Lightbulb Replacement

To replace the lightbulb in your U-Line unit:

1. Find the light located at the top of the unit. Grasp the edges of the light housing lens (1) opposite the exposed tab and gently push the lens toward the tab (2).
2. Pull the edge of the lens down (1) and swing it out of the light housing.



IMPORTANT

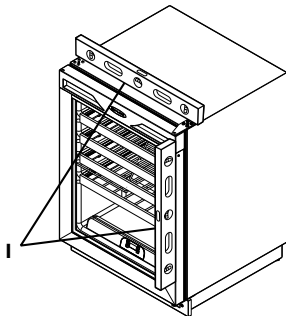
ALWAYS use a genuine U-Line replacement 120V 10 watt bulb (Part Number 31317) in the light housing. Use of any other bulb within the housing will produce excessive heat, causing damage to the light housing and cabinet interior, and will compromise the precise temperature control of the unit.

1. Replace the lens by first inserting the tab side back into the housing at a slight angle.
2. While gently pushing the lens towards the tab end, push the free end into the housing, and release when you hear a snap.

Leveling

IMPORTANT

Unit must be level, for proper door and ice maker (if equipped) operation.



For Models with adjustable leveling feet:

1. Use a level to check the levelness of the unit from front to back and from side to side. Place the level along top edge and side edge as shown (1).
2. If the unit is not level, rotate the adjustable leveling legs to raise or lower each corner of the unit (5) as necessary.
3. Check levelness after each adjustment and repeat the previous steps until the unit is level.

Removing and Installing Grille

⚠ WARNING

Disconnect electric power to the unit before removing the grille.

⚠ WARNING

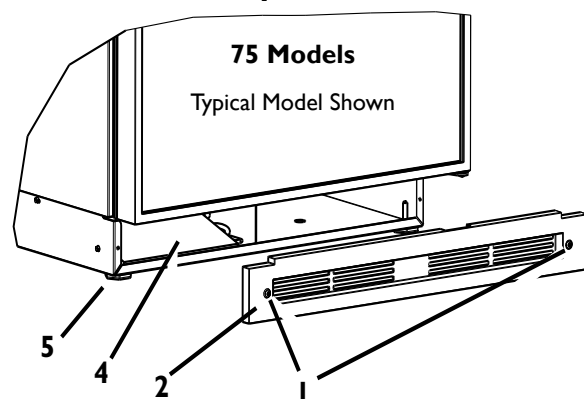
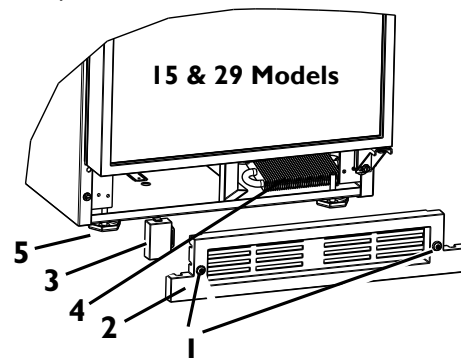
DO NOT touch the condenser fins(4). The condenser fins are SHARP and can be easily damaged.

Removing the grille.

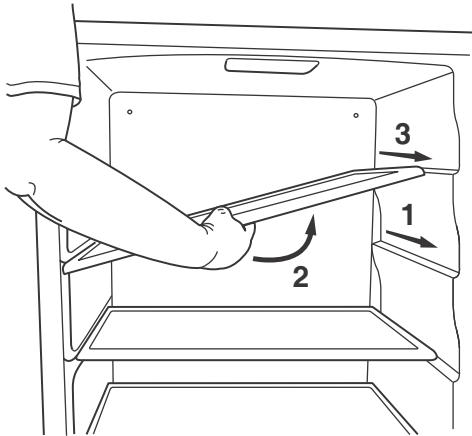
1. **Disconnect power to the unit.**
2. Remove control knob (6) if equipped.
3. Loosen the two screws (1). Some models may have only one screw in the center.
4. Remove grille (2) and grille cap (if equipped)(3) from unit.

Installing the grille:

1. For 15 and 29 models make sure grille cap (3) is behind grille in slots (2) provided in grille before attaching grille to unit.
2. For 75 models place the hook-hinge located on the rear bottom side of the grille (2) onto the front lip of the unit base. Swing the grille up into position.
3. Align cabinet and grill holes and secure, but do not overtighten grille screws (1).
4. Install control knob (6) if equipped.
5. Reconnect power to the unit.



Removing and Installing Interior Shelves



For models equipped with glass shelves having recessed shelf supports, remove the shelves as follows:

1. Pull shelf out about 6" (1), until back of shelf clears the "hump" on the right-hand side.
2. Tilt up right-hand edge of shelf (2).
3. Remove shelf from unit by pulling out (3).

Insert the shelves as follows:

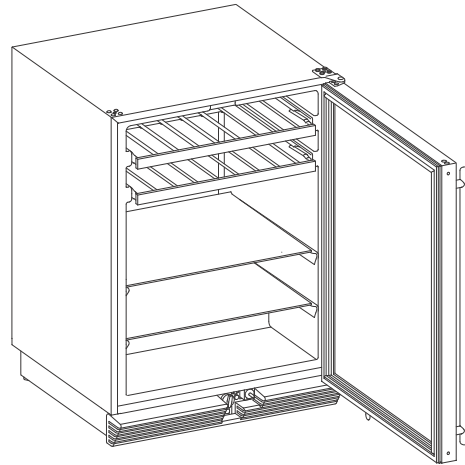
1. To move to a different position in the unit, insert shelf at an angle, approximately 15-20°, over the rib in the side of the unit where you want to place the shelf. Place the shelf into the unit at an angle to clear the door.
2. Continue to slide the shelf into the unit at an angle until it clears the door.

Lower the shelf and push it in completely. Ensure the raised edge strip is toward the rear of the unit and the decorative graphics, if applied, are on the underside of the shelves.

IMPORTANT

- **Make sure the shelves are inserted fully into the unit.**

The edge strip toward the rear prevents cans and bottles from freezing against the cold evaporator.



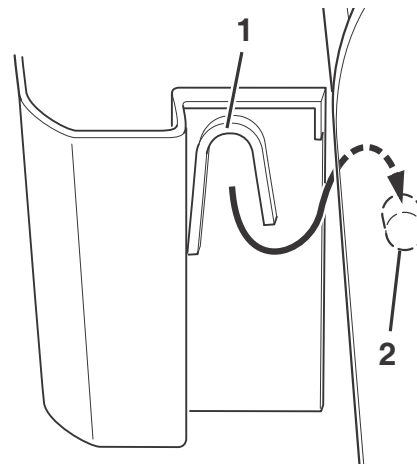
For models equipped with glass shelves having shelf supports, remove the shelves as follows:

1. Open door completely.
2. Grasp the shelf edge in the center and slide the shelf from the unit.

Insert the shelves as follows:

Reposition the shelf as required, ensure the raised white edge strip is toward the rear of the unit and graphics, if applied, are on the underside of the shelves.

Removing and Installing Door Shelves



For models equipped with door shelves:

To remove the door shelf:

1. Grasp shelf in center, and lift until the shelf notches (1) clear the pins (2).
2. Carefully pull the shelf away from the door.

To install the door shelf:

1. Holding the shelf in the center, center the shelf in the door at the desired location, slightly above the pins (2).

Wire Shelf Removal/Installation

For ADA models equipped with wire racks, reposition the shelves as follows:

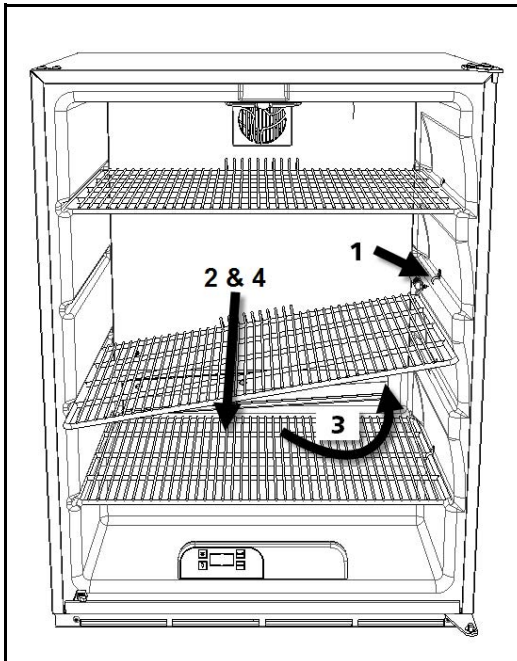


Figure 1

1. Remove shelf retention clip.
2. Pull shelf out about 6" **(1)**, until back of shelf clears the "hump" on the right-hand side.
3. Tilt up right-hand edge of shelf **(2)**.
4. Remove shelf from unit by pulling out **(3)**.

Insert the shelves as follows:

1. To move to a different position in the unit, insert shelf at an angle, approximately 15-20°, over the rib in the side of the unit where you want to place the shelf. The shelf must be started into the unit at an angle to clear the door.
2. Continue to slide the shelf into the unit at an angle until it clears the door.
3. Lower the shelf and push it in completely.

Install shelf retention clip.

7 Standard Doors

Door Alignment and Adjustment

Align and adjust the door if it is not level, or is not sealing properly. If the door is not sealed the unit may not cool properly, or excessive frost may form in the interior.

IMPORTANT

Properly aligned, the door's gasket should be firmly in contact with the cabinet all the way around the door (no gaps). Carefully examine the door's gasket to assure that it is firmly in contact with the cabinet. Also make sure the door gasket is not pinched on the hinge side of the door.

To align and adjust the door:

1. Loosen (do not remove) top and bottom hinge screws.
2. Align door squarely with cabinet.
3. Make sure gasket is firmly in contact with cabinet all the way around the door (no gaps).
4. Tighten bottom hinge screws.
5. Tighten top hinge screws.

Door Reversability

Location of the unit may make it desirable to mount the door on the opposite side of the cabinet.

Models with black and white doors are field-reversible.

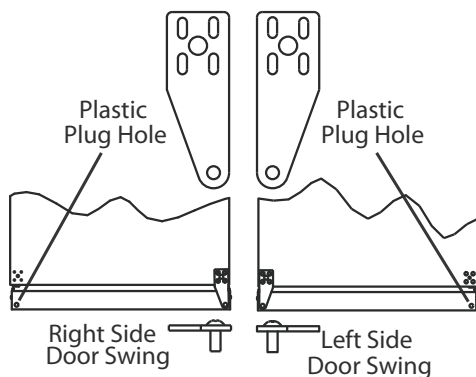
Stainless steel models with glass doors without locks are field-reversible.

Stainless steel models without glass doors must be ordered right- or left-hand hinged.

Reversing the door

The Hinge hardware will be removed and reinstalled on the opposite side of the cabinet.

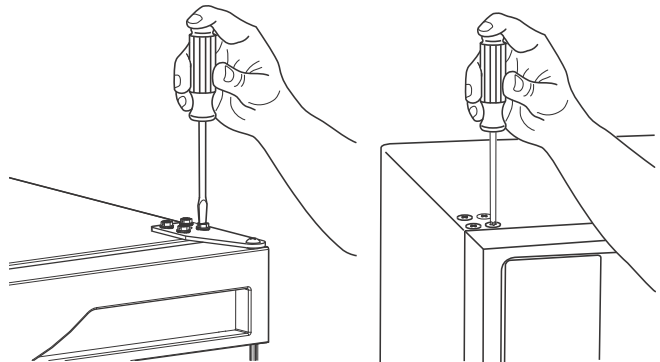
The hinge plate is flipped over when it is reinstalled on the opposite side of the cabinet.



To reverse the door:

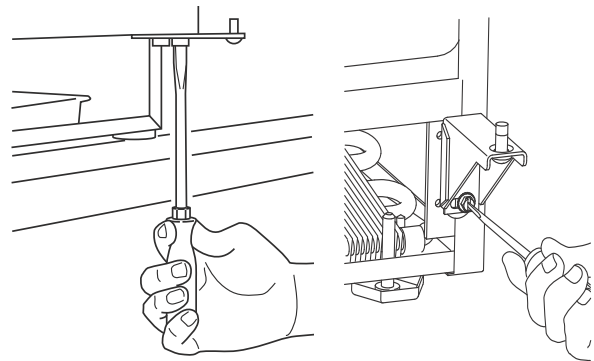
Remove grille:

Remove the grille see MAINTENANCE section of this guide.



Remove top hinge, and door:

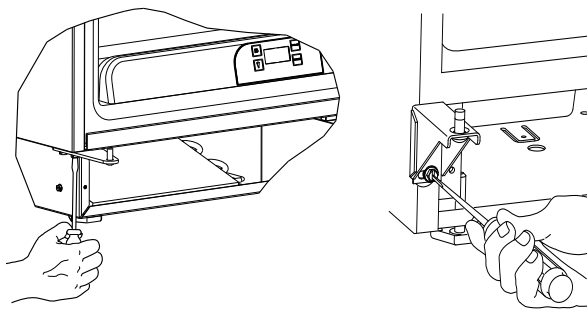
1. Hold door to keep it from falling.
2. Remove top hinge from cabinet by removing three or four screws, depending on model.
3. Remove door by tilting forward and lifting door off bottom hinge.
4. Remove three or four plastic screw plugs from hinge holes on the opposite side. Reinstall into holes where the hinge was



removed. Ensure not to scratch cabinet.

Remove bottom hinge:

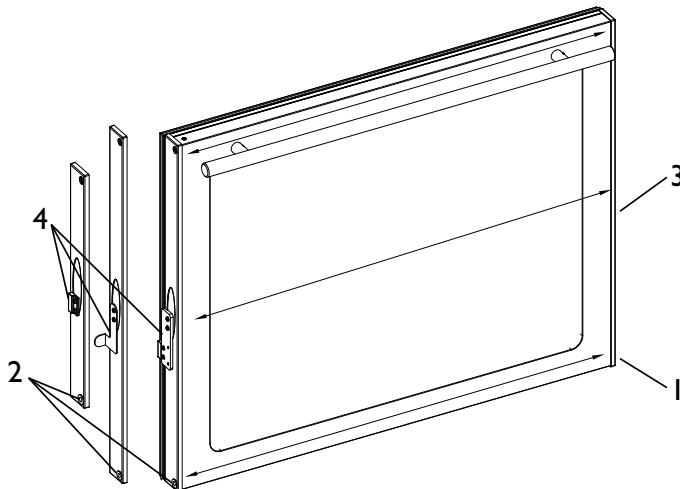
1. Remove bottom hinge from cabinet. Some models will have a gusset with two screws. Other models will have a plate with three screws.
2. Remove corresponding screws on opposite side of cabinet. On



Install bottom hinge:

1. If you have a plate hinge, reorient the pivot screw so it protrudes the opposite direction from the hinge. Remove the pivot screw from the hinge. Turn the plate over and reinstall the screw.
2. Align hinge outer edge with cabinet. For models with a plate hinge, the flat edge of the hinge aligns with the outer edge of the cabinet.

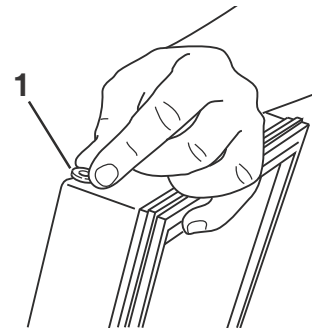
Install two or three screws, depending on model. Replace nuts if used.



Prepare door for reinstallation:

For stainless steel models with glass doors:

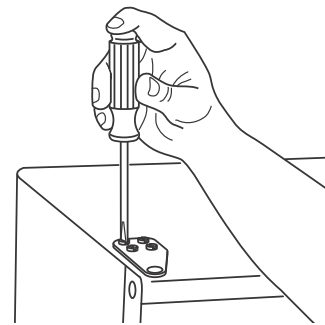
3. Stainless glass doors are flipped upside down to be reversed.
4. Lay the door on it's side. Remove the plastic hole plug (1) and install in the corner opposite of where it was removed.
5. Remove the plastic hinge bushing (2) and install in the corner opposite of where it was removed.
6. Remove the U-Line nameplate (3) from door. This will reveal mounting holes for the door actuator bracket.
7. Remove door actuator (4) from door. Be sure to only remove the two screws holding the actuator to the door. Reinstall the actuator (4) on the opposite end of the door where the nameplate was removed.
8. Install new nameplate where the actuator assembly was removed.
9. Install screws into holes on opposite side, where the hinge was removed. Replace nuts if used.



Prepare door for reinstallation:

For black or white doors:

1. Remove plastic hole plug from top of door handle and reinstall on opposite side.
2. Remove plastic hinge bushing on bottom of door and reinstall on opposite side. Clean out bushing hole in door bottom with a screwdriver if necessary.



Install top hinge, and door:

1. Reorient the pivot screw so it protrudes the opposite direction from the hinge. Remove the pivot screw from the hinge. Turn the plate over and reinstall the screw.
2. Hold door to keep it from falling.
3. Lift the door on to the bottom hinge.
4. Align flat edge of the hinge with the outer edge of the unit.
5. Install three or four screws, depending on model.

Align and adjust the door:

1. Align and adjust the door, see DOOR ALIGNMENT AND ADJUSTMENT above.

Install grille:

Install the grille, see MAINTENANCE section of this guide.

Exterior Cleaning

Vinyl Clad (Black or White) Models:

- Clean surfaces with a mild detergent and warm water solution. Do not use solvent-based or abrasive cleaners. Use a soft sponge and rinse with clean water. Wipe with a soft, clean towel to prevent water spotting.
- Clean any glass surfaces with a non-chlorine glass cleaner.

Stainless Models:

- Stainless door panels, handles and frames can discolor when exposed to chlorine gas, pool chemicals, saltwater or cleaners with bleach.
- Keep your stainless unit looking new by cleaning with a good quality all-in-one stainless steel cleaner polish monthly. For best results use Claire® Stainless Steel Polish and Cleaner, which can be purchased from U-Line Corporation (Part Number 173348). Comparable products are acceptable. Frequent cleaning will remove surface contamination that could lead to rust. Some installations may require cleaning weekly.
- **Do not clean with steel wool pads.**
- **Do not use stainless steel cleaners polishes on any glass surfaces.**
- Clean any glass surfaces with a non-chlorine glass cleaner.
- **Do not use cleaners not specifically intended for stainless steel on stainless surfaces (this includes glass, tile and counter cleaners).**
- If any surface discoloring or rusting appears, clean it quickly with Bon-Ami® or Barkeepers Friend Cleanser® and a nonabrasive cloth. Always clean towards the grain. Always finish with Claire Stainless Steel Polish and Cleaner or comparable product to prevent further problems.
- **Using abrasive pads such as Scotchbrite™ will cause the graining in the stainless to become blurred.**
- Rust not cleaned up promptly can penetrate the surface of the stainless steel and complete removal of the rust may not be possible.

Interior Cleaning

- **Disconnect power to the unit.**
- Clean the interior and all removed components using a mild nonabrasive detergent and warm water solution applied with a soft sponge or non-abrasive cloth.
- Rinse the interior using a soft sponge and clean water.
- **Do not use any solvent-based or abrasive cleaners.** These types of cleaners may transfer taste to the interior products and damage or discolor the interior.

Defrosting

Automatic Defrost Models

Frost on the rear wall is normal and will melt during each off cycle. If there is excessive build-up of 1/4" or more, manually defrost the unit.

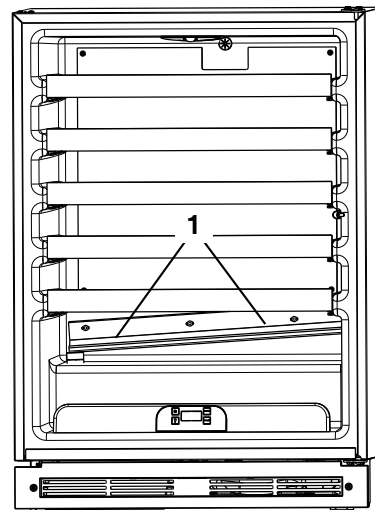
- Ensure the door is closing and sealing properly.
- High ambient temperature and excessive humidity can also produce frost.

CAUTION

DO NOT use an ice pick or other sharp instrument to help speed up defrosting. These instruments can puncture the inner lining or damage the cooling unit. DO NOT use any type of heater to defrost. Using a heater to speed up defrosting can cause personal injury and damage to the inner lining.

IMPORTANT

The drain pan was not designed to capture the water created when manually defrosting. To prevent water from overflowing the drain pan, place towels or other absorbent materials over the interior drain trough, under the evaporator (1), before defrosting.



To defrost:

1. **Disconnect power to the unit.**
2. Remove all products from the interior.
3. Prop the door in an open position (2 in. (5 cm) minimum).
4. Allow the frost to melt naturally.
5. After the frost melts completely clean the interior and all removed components. (See INTERIOR CLEANING)
6. When the interior is dry, reconnect power and turn unit on.

Condensor Cleaning

Interval - Every Six Months

To maintain operational efficiency, keep the front grille free of dust and lint, and clean the condenser every three months. Depending on environmental conditions, more or less frequent cleaning may be necessary.

WARNING

Disconnect electric power to the unit before cleaning the condenser.

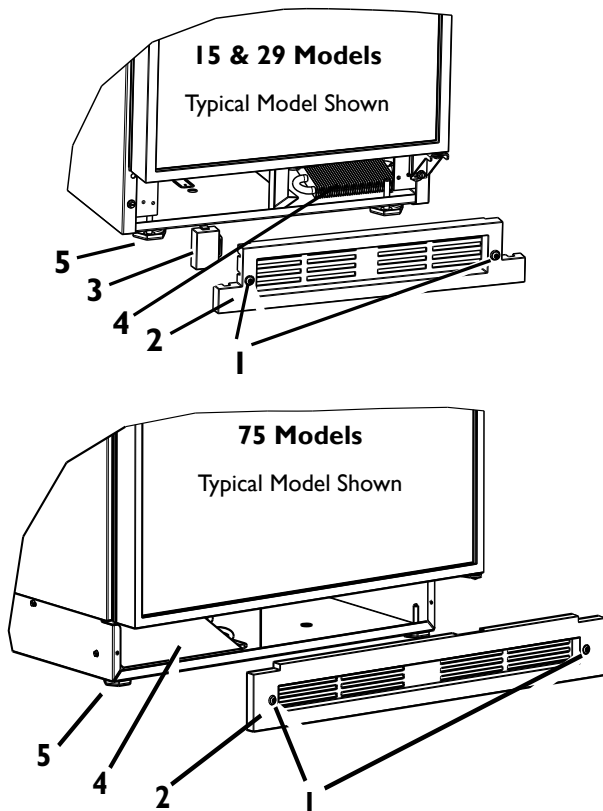
WARNING

DO NOT touch the condenser fins. The condenser fins are **SHARP** and can be easily damaged.

IMPORTANT

DO NOT use any type of cleaner on the condenser unit.

1. Remove the grill. (See MAINTENANCE)
2. Clean the condenser coil (4) using a soft brush with a “combing” action or vacuum cleaner. Do not touch the condenser coil.
3. Install the grill. (See MAINTENANCE)



Storage, Vacation and Moving

If not using the unit for an extended period, or otherwise stored, follow these steps completely:

WARNING

Electrical Shock Hazard. Disconnect power before servicing. Before operating, replace all panels. Failure to do so may result in death or electrical shock.

IMPORTANT

If the ambient temperature is expected to drop below 50°F, turn off and unplug unit, and drain all water from the unit to prevent freezing damage not covered by the warranty.

1. Remove all consumable contents from the unit.
2. Disconnect the power cord from its outlet, and leave it disconnected until the unit is returned to service.
3. Clean and dry the interior of the cabinet.
4. During periods of nonuse, the cabinet must remain open to prevent formation of mold and mildew. Open door a minimum of 2 in. (5 cm) to provide the necessary ventilation.

Product Disposal

If the unit is being removed from service for disposal, check and obey all Federal, State and or Local regulations regarding the disposal and recycling of refrigeration appliances, and follow these steps completely:

1. Remove all consumable contents from the unit.
2. Disconnect power to the unit and unplug the power cord from its outlet.

DANGER

RISK OF CHILD ENTRAPMENT. Before you throw away your old refrigerator or freezer, take off the doors and leave shelves in place so children may not easily climb inside.

3. Remove the cabinet door.

Before Calling for Service

If you think your U-Line product is malfunctioning, read the OPERATION section of this guide to understand clearly the function of the control.

If the problem persists, read the NORMAL OPERATING SOUNDS and TROUBLESHOOTING GUIDE section of this guide to help you quickly identify common problems, and possible causes and remedies. Most often, this will resolve the problem without the need to call for service.

If Service is Required

If you do not understand a troubleshooting remedy, or your product needs service, contact U-Line Corporation directly. Contact information appears on the rear cover of this guide.

When you call, you will need your product Model and Serial Numbers. This information can be recorded inside the front cover of this guide. It also appears on the Model and Serial number plate located on the upper right or rear wall of the interior of your product.

Replacement Parts

When you need replacement parts, always request genuine U-Line replacements. U-Line designs and engineers products using components that work efficiently, and provide superior service life and performance. The use of aftermarket parts or components may affect the safety, operation, performance or durability of your product, and may also void its warranty.

Normal Operating Sounds

All models incorporate rigid foam insulated cabinets to provide high thermal efficiency and maximum sound reduction for its internal working components. Despite this technology, your model may make sounds that are unfamiliar.

Normal operating sounds may be more noticeable because of the unit's environment. Hard surfaces such as cabinets, wood, vinyl or tiled floors and paneled walls have a tendency to reflect normal appliance operating noises.

Listed below are common refrigeration components with brief description of the normal operating sounds they make. **NOTE:** Your product may not contain all the components listed.

- **Compressor:** The compressor makes a hum or pulsing sound that may be heard when it operates.
- **Evaporator:** Refrigerant flowing through an evaporator may sound like boiling liquid.
- **Condenser Fan:** Air moving through a condenser may be heard.
- **Automatic Defrost Drain Pan:** Water may be heard dripping or running into the drain pan when the unit is in the defrost cycle.

Troubleshooting Guide



ELECTROCUTION HAZARD. Never attempt to repair or perform maintenance on the unit until disconnecting the main electrical power.

Troubleshooting - What to check when problems occur:

Problem	Possible Cause and Remedy
Digital Display and Light Do Not Work.	Ensure power is connected to the unit. If the unit is cooling, it may be in Blackout mode. (See OPERATION)
Interior Light Does Not Illuminate.	The light bulb may be defective.(See MAINTENACE) If the unit is cooling it may be in Blackout mode. (See OPERATION)
Light Remains on When Door is Closed.	For glass door models, press the light icon and close the door.(See OPERATION) Check light actuator under door.
Unit Develops Frost on Internal Surfaces.	Frost on the rear wall is normal and will melt during each off cycle. If there is excessive build-up of 1/4" or more, manually defrost the unit. Ensure the door is closing and sealing properly. High ambient temperature and excessive humidity can also produce frost.
Unit Develops Condensation on External surfaces	The unit is exposed to excessive humidity, moisture will dissipate as humidity levels increase.
Digital Display Functions, But Unit Does Not Cool.	Ensure the unit is not in 'Showroom Mode'. Press and hold the COOLER icon and simultaneously within five seconds press the LIGHT icon three times to change the display as needed.
Digital Display Shows ER or E Followed By a Number.	E3 indicates the door may be opened too long, ensure the door is closing properly. For other error codes contact U-Line Customer Service.
Digital Display Shows 1-16 or 99	A factory test mode may be enabled. Adjust the temperature to 99 and press the LIGHT icon.(See OPERATION)
Product is Freezing.	Product in contact with the rear wall may freeze, ensure no product is touching the rear wall. Adjust the temperature to a warmer set-point. (See OPERATION)
Product is Not Cold Enough.	Air temperature does not indicate product temperature. See OPERATION - Checking Product Temperature. Adjust the temperate to a cooler set-point. (See OPERATION) Ensure unit is not located in excessive ambient temperatures or in direct sunlight. Ensure the door is closing and sealing properly. Ensure the interior light has not remained on too long. Ensure nothing is blocking the front grille, found at the bottom of the unit. Ensure the condenser coil is clean and free of any dirt or lint build-up.

U-Line Corporation Limited Warranty

1. U-Line Corporation ("U-Line") warrants each U-Line product to be free from defects in materials and workmanship for a period of one year from the date of purchase. U-Line further warrants the sealed system (consisting of the compressor, the condenser, the evaporator, the hot gas bypass valve, the dryer and the connecting tube) in each U-Line product to be free from defects in materials and workmanship for a period of five years from the date of purchase.

2. During the initial one year warranty period for all U-Line products U-Line shall: (1) repair any product or replace any part of a product; and (2) for all Marine, RV and Domestic U-Line products sold and serviced in the United States (including Alaska and Hawaii) and Canada, U-Line shall be responsible for the labor costs performed by a U-Line authorized service company, incurred in connection with the replacement of any defective part. During years two through five of the warranty period for the sealed system, U-Line shall: (1) at U-line's option repair or replace any part of the sealed system; and (2) for all Marine, RV and Domestic U-Line products sold and serviced in the United States (including Alaska and Hawaii) and Canada, U-Line shall be responsible for the labor costs incurred in connection with the replacement of any defective part of the sealed system. All other charges, including transportation charges for replacements under this warranty and labor costs not specifically covered by this warranty, shall be the responsibility of the purchaser. This warranty extends only to the original purchaser of the U-Line product. The registration Card included with the product should be promptly completed by you and mailed back to U-Line or you can register on-line at www.u-lineservice.com.

3. The following conditions are excluded from this limited warranty: damage caused by outdoor use; use of cleaners other than the recommended stainless steel cleaners and U-Line Clear Ice Maker cleaner; installation charges; damages caused by disasters or acts of God, such as fire, floods, wind and lightning; damages incurred or resulting from shipping, improper installation, unauthorized modification, or misuse/abuse of the product; customer education calls; food loss and spoilage; door and water level adjustments (except during the first 30 days from the date of installation); defrosting the product; adjusting the controls; door reversal; and cleaning the condenser.

4. U-Lines' Outdoor Limited Warranty, set forth in this Paragraph 4, shall apply to U-Line models deemed suitable for outdoor use by Underwriters Laboratory ("UL") as noted in the U-Line Product Catalog, U-Line's website and/or on the serial tag located inside the product. Exposure to temperatures below freezing may cause damage to the product. Damage resulting to the product (and/or the surroundings) caused by this exposure is not covered under this warranty. Such models shall

continue to be covered by the warranty terms set forth in Paragraphs 1 and 2 above, to the extent such models:

A. Are subjected to temperatures between 50 and 100 degrees Fahrenheit. Although these products will function in ambient temperatures below 50 degrees and above 100 degrees Fahrenheit, performance may decline. Performance degradation due to operating above or below the designated ambient temperature range is not a manufacturing defect and any issues resulting from exposure to higher temperatures, such as spoiled food or low ice production, are not covered under this warranty policy; and/or

B. Come into contact with rain by virtue of outdoor use. Exposure to other sources of water shall also cause this warranty to be void, including flooding of the area in proximity of the unit greater than 1/8" deep in water, hurricanes, splashing of pool water, or directing a spray from a hose or similar device into and around the unit.

5. If a product defect is discovered during the applicable warranty period, you must promptly notify either U-Line at P.O. Box 245040, Milwaukee, Wisconsin 53224 or at 800-779-2547 or the dealer from whom you purchased the product. In no event shall such notification be received later than 30 days after the expiration of the applicable warranty period. U-line may require that defective parts be returned, at your expense, to U-Line's factory in Milwaukee, Wisconsin, for inspection. Any action by you for breach of warranty must be commenced within one year after the applicable warranty period.

6. THIS LIMITED WARRANTY IS IN LIEU OF ANY AND ALL OTHER WARRANTIES, EXPRESS OR IMPLIED, INCLUDING ANY IMPLIED WARRANTY OF MERCHANTABILITY OR IMPLIED WARRANTY OF FITNESS FOR A PARTICULAR PURPOSE, ALL OF WHICH ARE DISCLAIMED. U-Line's sole liability and your exclusive remedy under this warranty is set forth in the paragraphs above. U-Line shall have no liability whatsoever for any incidental, consequential or special damages arising from the sale, use or installation of the product or from any other cause whatsoever, whether based on warranty (express or implied) or otherwise based on contract, tort or any other theory of liability.

7. Some states do not allow limitations on how long an implied warranty lasts or the exclusion or limitation of incidental or consequential damages, so the above limitations may not apply to you. This warranty gives you specific legal rights, and you may also have other rights which vary from state to state.

PRODUCT INFORMATION

Installation Guides with complete installation information, Custom Wood Panel Size Specifications & Installation Instructions, CAD Drawings, Use and Care Guides, Specifications & Feature Benefits are available for viewing and download on-line at www.u-line.com/specs/.

SERVICE INFORMATION

If you have a problem with this appliance, your use and care guide has troubleshooting information to help you quickly identify common problems and provide information on possible cause and remedy. Answers to Customers Frequently Asked Questions are available at www.u-line.com/customer/faq.cfm. You may contact U-Line directly:

GENERAL INQUIRIES:

U-Line Corporation
P.O. Box 245040
Milwaukee, Wisconsin 53224-9540 U.S.A.
Phone (414) 354-0300
FAX (414) 354-7905
Email: sales@u-line.com
www.u-line.com

SERVICE ASSISTANCE:

Phone (800) 779-2547
FAX (414) 354-5696
Email: onlineservice@u-line.com
www.u-lineservice.com

PARTS ASSISTANCE:

E-mail: onlineparts@u-line.com

ABOUT U-LINE

Building on 45 years, U-Line has captivated those with an appreciation for the finer things with exceptional design, inspired innovations and attention to even the smallest details.

U-Line is synonymous with premium built-in undercounter ice making, refrigeration and wine storage appliances, the U-Line Corporation is committed to luxury under the counter. U-Line is known and respected for unwavering dedication to product innovation, quality and selection. A bold and broad line of models is the product of visionaries in the pursuit of distinctive living environments in the kitchen and spaces beyond.

In 1962, Henry Uihlein founded U-Line Corporation as an outgrowth of Ben-Hur Freezer Company and was the first to develop and patent an automatic stand-alone undercounter residential ice maker. His foresight and determination to develop new ideas and to succeed when there were no clear guidelines or solutions are evident today. The Milwaukee, Wisconsin based family operated business provides continuity and vision from which innovations continue to be born.

Going forward, U-Line will continue offering best-in-class products that build on the company's numerous patents and world firsts to guide the undercounter industry in realizing its unlimited potential.

Free Manuals Download Website

<http://myh66.com>

<http://usermanuals.us>

<http://www.somanuals.com>

<http://www.4manuals.cc>

<http://www.manual-lib.com>

<http://www.404manual.com>

<http://www.luxmanual.com>

<http://aubethermostatmanual.com>

Golf course search by state

<http://golfingnear.com>

Email search by domain

<http://emailbydomain.com>

Auto manuals search

<http://auto.somanuals.com>

TV manuals search

<http://tv.somanuals.com>