

uniden

MC 800 LCD Fishfinder

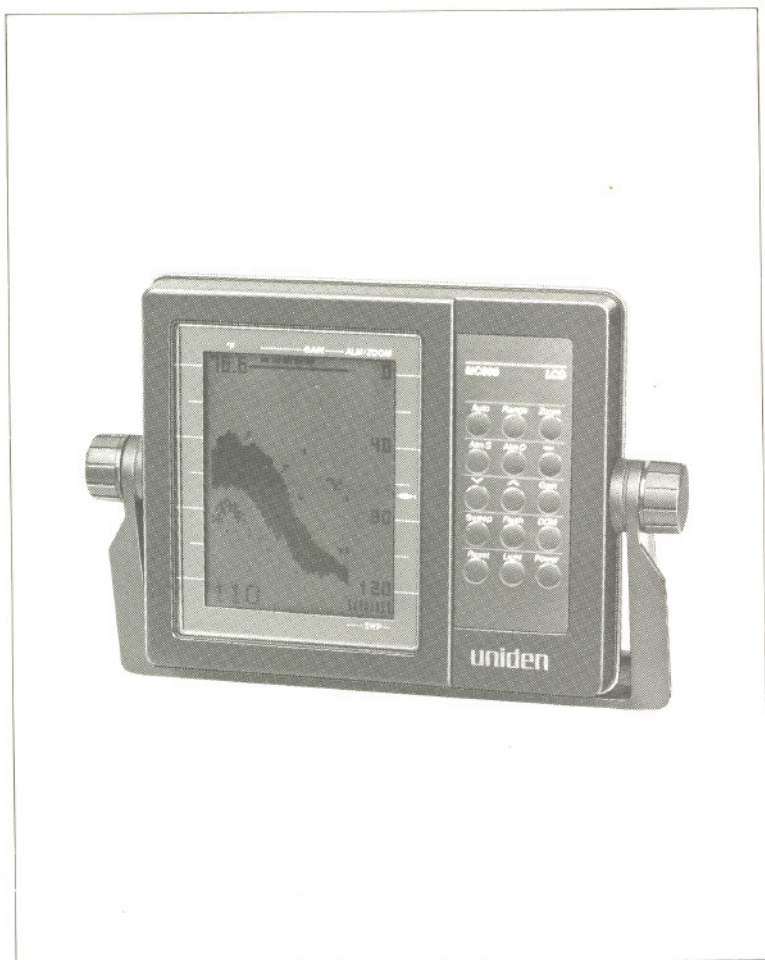


Table of Contents

Welcome!	1
Unpacking	
Controls and Functions	2
Controls and Functions - Cont'd	3
Controls and Functions - Cont'd	4
MC 800 Indicator Unit - Controls	5
Features	6
MC 800 Indicator Unit - Display	7
Installation - Indicator Unit	8
Installation - Indicator Unit - 2	9
Installation - Indicator Unit - 3	10
Installation - Connecting Power	11
Installation - Transducer - General	12
Installation - Transom Mount	13
Installation - Transom Mount	14
Installation - Thru-Hull Mount	15
Installation - Wet Box Mount	16
Installation - Direct Mount	17
Installation - Cabling	18
Operation	19
Basic Operation	
Turning the Power on	
Setting the Auto mode	
Setting the Depth range	
Setting the Zoom range	
Setting the Sweep Speed	
Operation - Continued	20
Setting the Gain	
Silencing the Audio Alarms	
Setting the Shallow Alarm	
To silence the Shallow Alarm	
Operation - Continued	21
Setting the Deep Alarm	
To silence the Deep Alarm	
Setting the Fish Alarm	
To silence the Fish Alarm	
Using the Flash Mode	
Using the Display Freeze	
Using the Backlight	
Operation - Continued	22
Using the Simulator Mode	
Digital Display Mode	

Table of Contents

Anchor Watch	23
Contour Navigation	24
Interpreting Screen Pictures - 1	25
Interpreting Screen Pictures - 2	26
Interpreting Screen Pictures - 3	27
Interpreting Screen Pictures - 4	28
Interpreting Screen Pictures - 5	29
Interpreting Screen Pictures - 6	30
Interpreting Screen Pictures - 7	31
Interpreting Screen Pictures - 8	32
Specifications	33
Troubleshooting	34
Warranty	35
Warranty - Cont'd	36

Welcome!

to the world of high tech marine electronics. Your Uniden MC 800 represents the finest in LCD Fishfinding technology. It's Super Twist Nematic Liquid Crystal Display gives you the clearest, easiest to see display in LCD Fishfinders today. And, the display won't "wash out" in bright sunlight like other fishfinders.

Unpacking

When unpacking your MC 800, the following items should be found in the box. If an item is missing, please contact your Uniden dealer immediately.

- MC 800 Indicator Unit
- 200 KHz Transducer Kit, (Transom or optional Thru-Hull Mount) with a water temperature sensor
- Power Cable with inline fuse
- Gimbal Mounting Bracket
- Swivel Mount Kit (optional)
- Gimbal Mount Clamping Knobs x2
- Clamping Knob Rubber Washers x2
- Instruction Manual

Controls and Functions

Power 1. **Power On/Off and Simulation On/Off Key** - This key is used to turn the unit on or off, and to begin the simulation mode. Press once to turn the power on, press again to turn the power off. Press and hold for more than 2 seconds when turning the power on to enter the simulation mode.

Light 2. **Backlight On/Off Key** - This key is used to turn the display backlighting on and off. Press once to turn on, and press again to turn off.

Reset 3. **Alarm Clear, Alarm Buzzer and Zoom On/Off Key** - Use this key to shut off the audible alarm when it sounds for either the shallow, deep, or fish alarms. To clear an alarm or zoom, first press the associated key (either shallow, deep fish or zoom) and then press the reset button.

Λ 4. **Up or increase Key** - This key is used in conjunction with the depth range, zoom range, shallow alarm, deep alarm, gain level, and display sweep speed controls. Pressing this button will increase or raise the appropriate item.

V 5. **Down or Decrease Key** - This key operates in a similar fashion to the up or increase key, except that this one decreases or lowers the appropriate item.

Range 6. **Depth Range Selection** - This key is used with the Λ and V keys to set the range to display. To set the range, first press this key, then use the Λ or V key until the desired range is indicated on the display.

Auto 7. **Automatic Operation** - Pressing the Auto key tells your MC 800 to automatically select the optimum range, gain, and sweep speeds for clearest viewing. The word "AUTO" is displayed at the bottom of the screen when in this operating mode.


Gain 8. **Gain Level Control** - This control is used to set the gain of the receive section for maximum clarity. It is usually set to the highest point possible before interference is shown on the screen. To use this function, first press the Gain key, and then use the Λ and V keys to set the gain to the desired level. The gain is shown on the Gain bar graph at the top of the LCD screen. The gain is adjustable in 8 steps.

Controls and Functions-Cont'd

Sweep 9. **Display Sweep Speed Key with Freeze mode** - The Sweep button is used to control the speed at which the display moves across the screen to compensate for boat speed. You can also freeze the display for closer examination of interesting underwater features. To set the display sweep speed, first press the Sweep key (which will freeze the display), and then use the Λ and ∇ keys to adjust the sweep to the desired speed. The sweep speed is displayed on the Sweep Bar Graph at the bottom of the display. There are eight possible settings for the Sweep speed.

Alm S 10. **Shallow Alarm Set** - This control is used with the Λ and ∇ keys to set the depth above which the audible alarm will sound; i. e. if the shallow alarm depth is set to 20 feet, and you take your boat into water 19 feet deep, the alarm will sound. To set the shallow alarm, first press the Alm S key, then use the Λ and ∇ keys to set the alarm to the desired depth. The depth that the alarm is set to is displayed on the bar graph at the right side of the display. When the alarm is set, a black bar will extend down from the top of the display.

Alm D 11. **Deep Alarm Set** - This control is used with the Λ and ∇ keys to set the depth below which the audible alarm will sound; i. e. if the deep alarm is set to 20 feet, and you take your boat into water 21 feet deep, the alarm will sound. To set the deep alarm, first press the Alm D key, and then use the Up and Down keys to set the alarm to the desired depth. The depth that the alarm is set to is displayed on the bar graph at the right side of the display. When the alarm is set, a black bar will extend up from the bottom of the display.

 12. **Fish Alarm** - This control is used to turn the audible Fish Alarm on or off. Press once to turn on, and press again to turn off. When the Fish Alarm is turned on, the audible alarm will sound anytime an echo above the bottom is detected.

Flash 13. **Flash Key** - This control is used to turn the echo flash mode on or off. Press once to turn on, and press again to turn off. When the flash mode is on, all echoes above the bottom will flash on and off, to call attention to them.

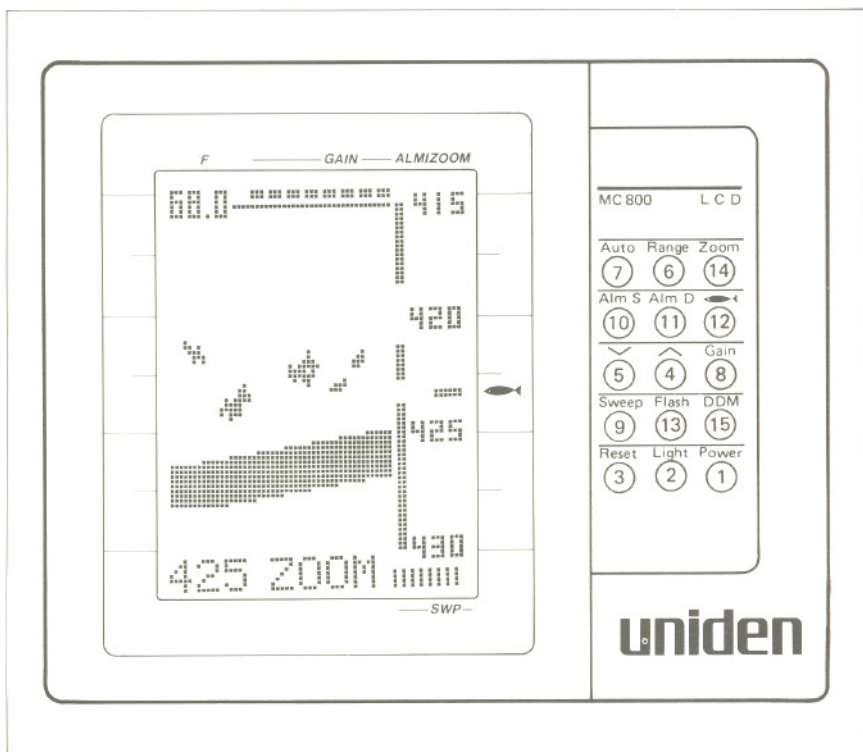
Controls and Functions-Cont's

Zoom 14. **Zoom** - This control is used with the Λ , V, and Reset keys to set the Zoom range. To initiate this mode, press the Zoom key once, and the vertical zoom cursor will appear on the right side of the screen. Set the desired Zoom range by moving the cursor with the Λ and V, then press the Zoom key again. The Zoom range scales appear with a digital numeric display, Zoom mode starts, and an expanded (zoomed) chart appears over the whole of the screen. The Zoom range is normally set to 15 feet, but can be changed in 1 foot increments. You can also change the Zoom setting while in the Zoom mode by pressing the Zoom key, and then either the Λ or V keys to change the Zoom position.

DDM 15. **Digital Display Mode** - This control is used to turn the Digital Display Mode on or off. When you first turn the unit on, the display will show the normal chart display mode. Press the DDM button once to give you a large Digital Depth and Water Temperature display. Press the DDM or AUTO buttons to return to normal chart display mode. While in DDM, all functions except AUTO and LIGHT are disabled.

16. **Key Press Timing** - In case you did not press a sub-key within 5 seconds after you pressed a function key, the keying is cancelled with a short beep tone.

MC 800 Indicator Unit-Controls



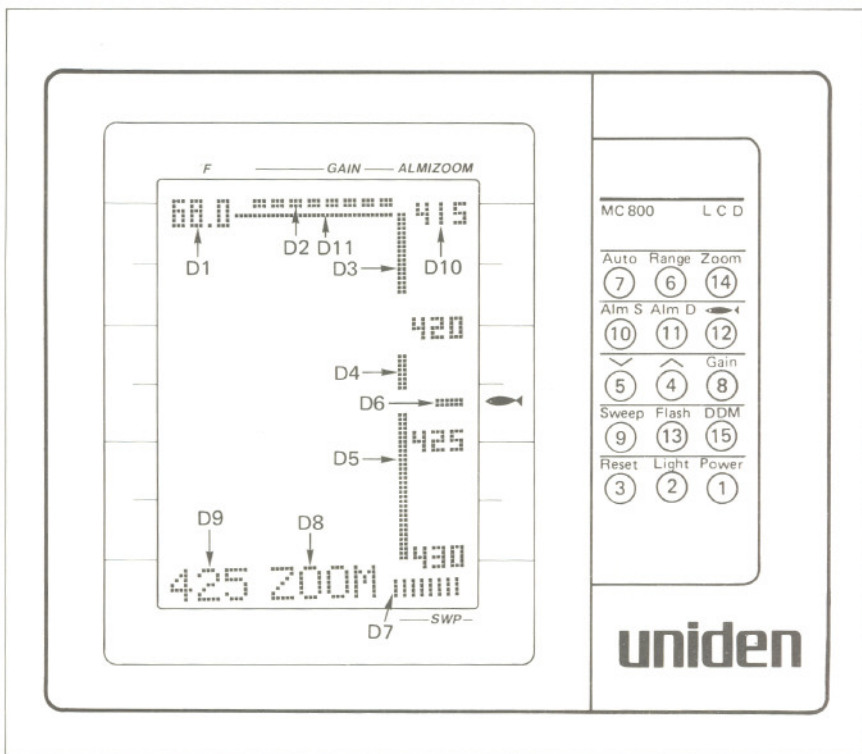
Features

The Uniden MC 800 has a large number of features that make it easy to use. These are:

- Automatic Operation
- Shallow and Deep alarms with on-screen graphs
- Audible Fish Alarm
- Variable Sweep Speeds
- Adjustable Gain
- Digital Depth Display
- Digital Range Display
- Display Freeze
- Display Backlighting
- Simulator Mode
- Zoom Function
- Flash Mode
- Surface Water Temperature Display

Refer to the section on operation for details on how to use these features.

MC 800 Indicator Unit-Display



- D1. Surface Water Temperature
- D2. Gain Bar Graph
- D3. Shallow Alarm Bar Graph
- D4. Zoom Cursor
- D5. Deep Alarm Bar Graph
- D6. Fish Alarm Indicator
- D7. Sweep Speed Bar Graph
- D8. Zoom On or Auto On Indicator
- D9. Current Depth Readout
- D10. Digital Scale
- D11. Surface Line

Installation-Indicator Unit

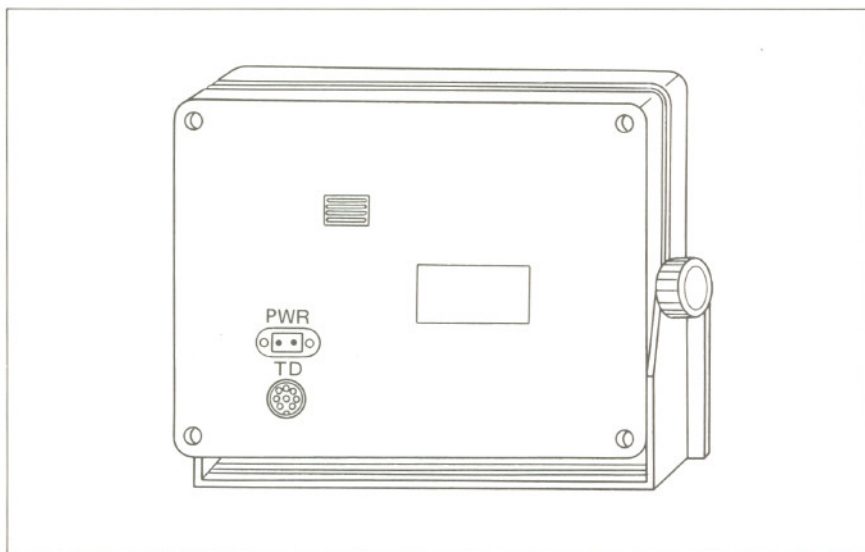
The Indicator Unit may be mounted with the gimbal mounting bracket (included) or with the swivel base mount (optional). Select a convenient location suitable for easy viewing in a sheltered area out of direct sunlight if possible.

Warning

Do not mount the unit within 18 inches of a compass, as the unit generates high frequency pulses which may affect it's accuracy. Also, do not install any wiring for the unit within 18 inches of your compass.

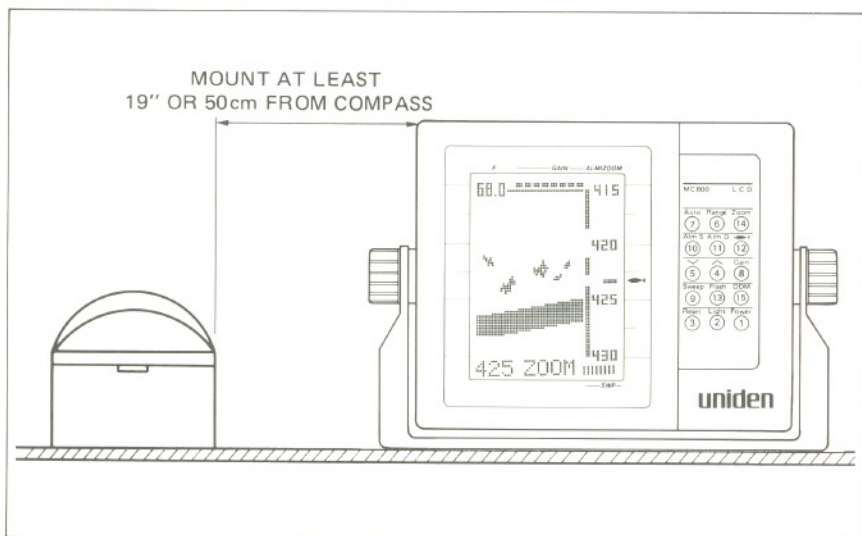
Warning

Uniden does not represent this unit to be waterproof. To reduce the risk of fire or electrical shock, do not mount this unit where it may be exposed to rain or spray.

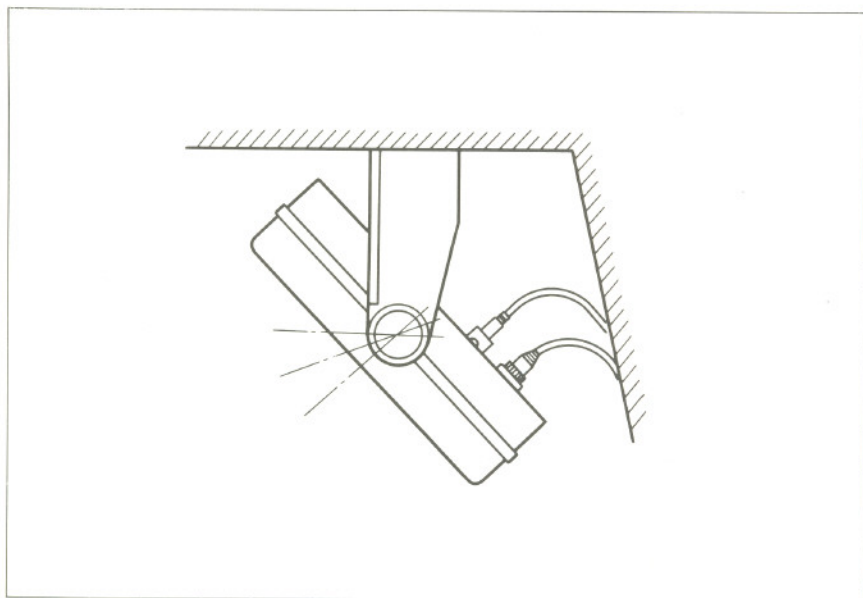


To mount the unit with the gimbal mounting bracket

Installation-Indicator Unit-2

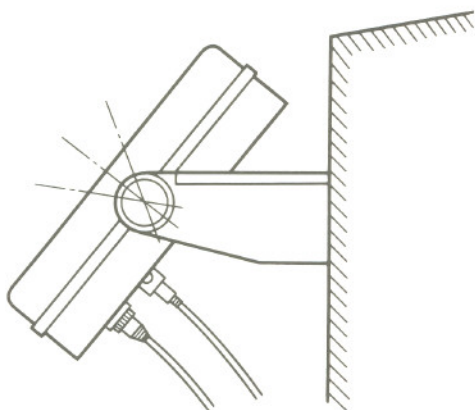


To mount the unit with the gimbal base mount

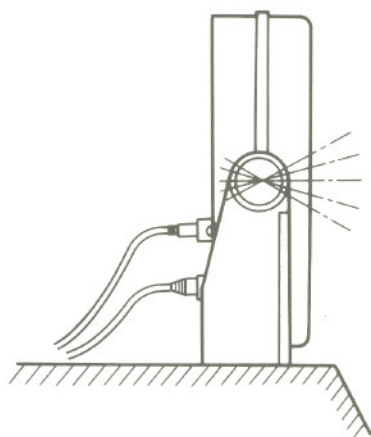


Ceiling Mount

Installation-Indicator Unit-3



Side Wall Mount



On-Dash Mount

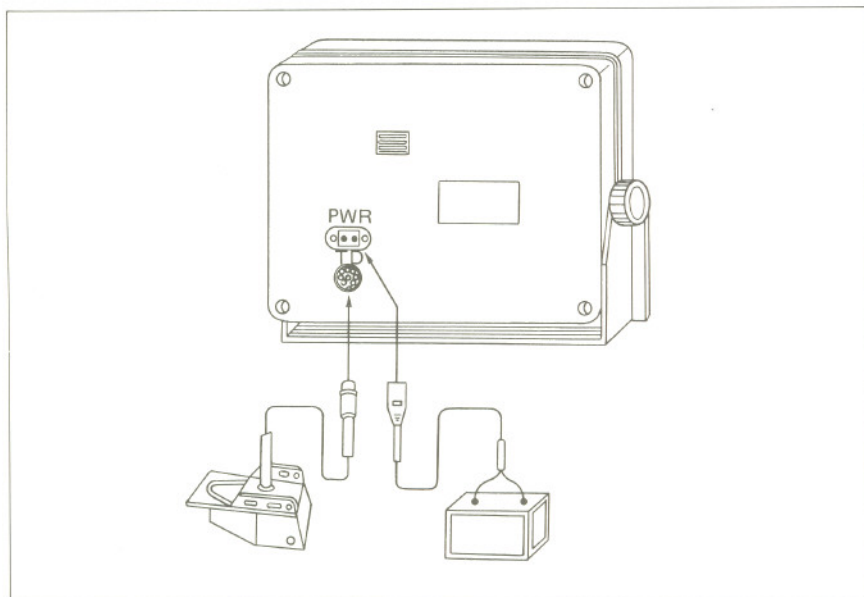
Installation-Connecting Power

The MC 800 will work with any ship's 12 volt nominal DC voltage. (see specifications for more details) Connect the power cable furnished to a DC source capable of supplying at least 1.0 amperes of current. The power leads should normally be routed to the ship's DC power distribution panel (on larger boats) or directly to the battery main circuit breaker (on smaller boats).

Be sure to observe the proper polarity when connecting the power. The red lead wire of the power cable should be connected to the positive terminal, and the black lead should be connected to the negative terminal.

Warning

The indicator unit is protected by an inline 1.0 ampere fuse. To reduce the risk of fire or electric shock, replace this fuse only with one of the proper specification.



Installation-Transducer-General

Transducer

The MC 800 is designed to work with either a transom mount type 200 KHZ transducer, or a thru-hull mount 200 KHZ transducer.

The transducer element is that portion of the system that converts the electrical pulse from the sounder into a sound wave which is transmitted downward to the bottom and returned as an echo. This echo is picked up by the transducer, converted back into an electrical signal, and sent to the sounder, which then measures the time the echo took to return and converts this information for display on the unit.

The transducer is the heart of the system. It is a delicate instrument and should be handled accordingly. The thru-hull transducer element is housed in a lexan casting with an epoxy surface. The epoxy surface is the "window" through which the ultrasonic pulses travel, and therefore should be as smooth as possible.

Note

Use extreme caution when handling, installing and using the transducer to prevent damage to the transducer face.

Also, when handling the transducer, avoid lifting by, or pulling on the transducer cables. This can cause damage to the cable causing failure at an inopportune time.

Since the mounting location of the transducer will vary with the type of vessel and it's particular type of hull construction, the following mounting rules generally apply.

Mount the transducer

- Where it will be continually immersed in water when the vessel under way.
- Where turbulent water will not pass over the transducer face.
- As far from the engine and propeller as practical.
- Where it will be protected from striking submerged objects.

Hull Type	Mounting Method			
	Thru-Hull	Wet Box	Transom	Direct Bonding
Double Hull	✓		✓	
Foam Cored	✓		✓	
Balsa Cored	✓		✓	
Wood	✓		✓	
Solid Fiberglass	✓	✓	✓	
Steel	✓	✓	✓	✓
Aluminum	✓	✓	✓	✓

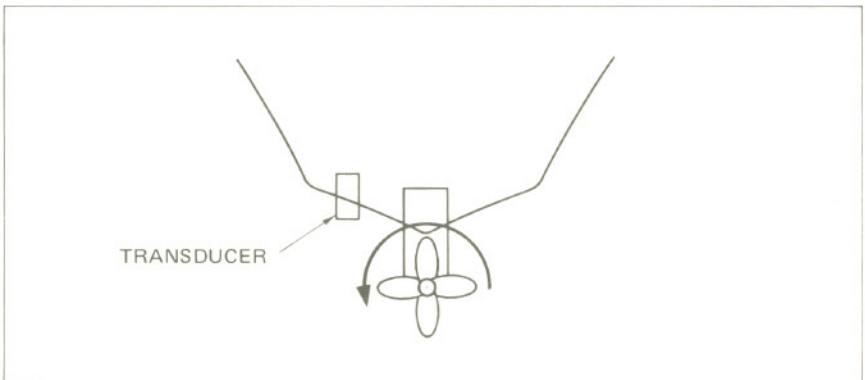
Installation-Transom Mount

Installation of the transom mounted type of transducer is illustrated below. Ideally, the transducer should be mounted so that the face of the transducer is perpendicular with the sea bottom. On boats with one propeller, the transducer should be mounted at least 15 inches (400mm) either side of the centerline to minimize the effects of turbulence. Depending on the direction of rotation of your propeller, the transducer should be mounted either of the left or to the right of the propeller. (see drawing below). When installed, the tilt angle of the transducer should be less than 10° for maximum efficiency. Once you have determined the best possible mounting location, proceed as follows:

- Check to make sure that the transducer and bracket are correctly assembled (see below)
- If necessary, adjust the bracket angle to conform to the angle (rake) of the transom.
- Verify that the face of the transducer is within 10° of horizontal.
- Mark and install the transducer/bracket assembly to the transom with screws.

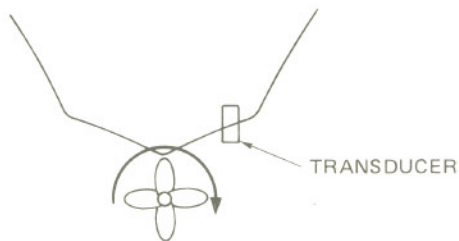
Warning

Use caution when installing the screws for the mounting bracket so as not to breach the integrity of the hull. It may be necessary to install backing plates, etc. to be able to mount the transducer.

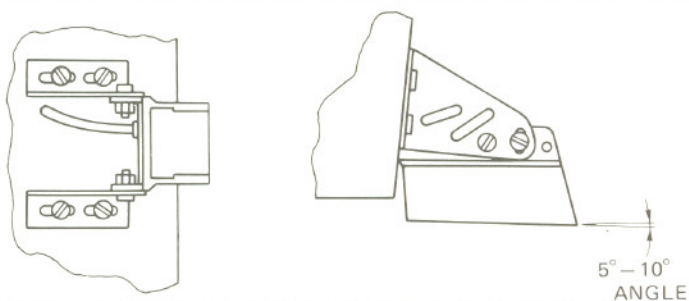


Transducer Mounting - CCW Propeller Rotation

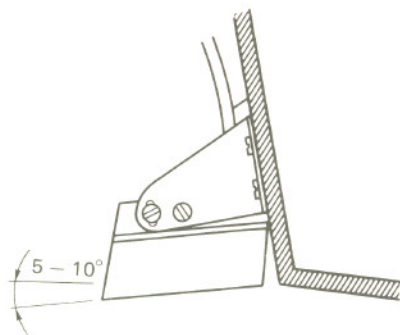
Installation-Transom Mount



Transducer Mounting - CW Propeller Rotation



Mounting Bracket and Transducer

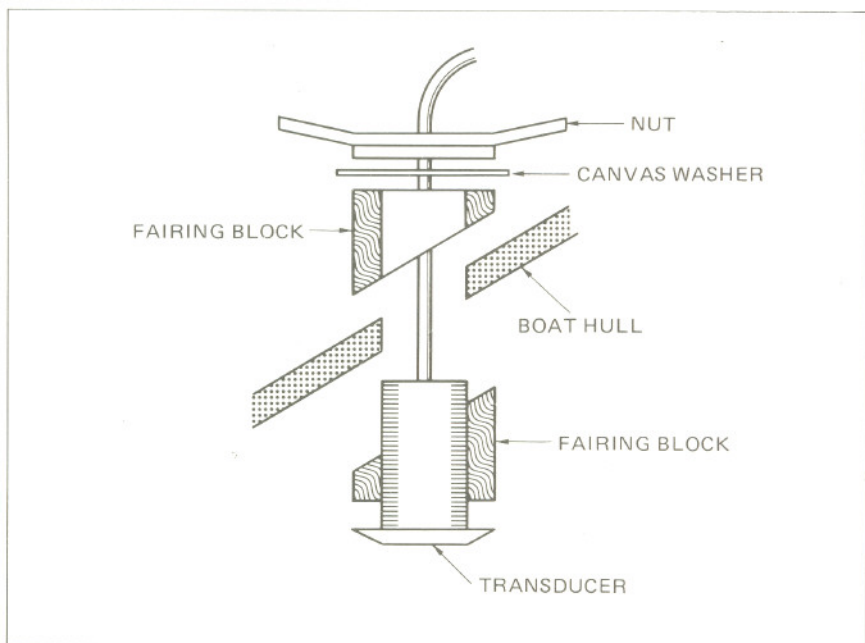


Mounting the Bracket and Transducer to the Hull

Installation-Thru-Hull Mount

Drill a hole in the bottom of the boat large enough to accommodate the stem of the transducer. Use fairing blocks to "sandwich" the transducer and to waterproof the area of installation. By shaping the fairing block located beneath the hull, you can reduce the amount of drag on your boat. This is the best mounting for obtaining maximum performance from your system, however, there are also disadvantages to this type of mount, such as:

- Damage can be caused to the transducer and/or hull when loading or unloading your boat from a trailer.
- Damage or sinking can occur if the transducer strikes a submerged object while boating.
- Barnacles and other marine life will attach to and grow on the transducer impairing performance.
- This type of mount will cause noticeable drag on high performance hulls.



Thru Hull Mount

Installation-Wet Box Mount

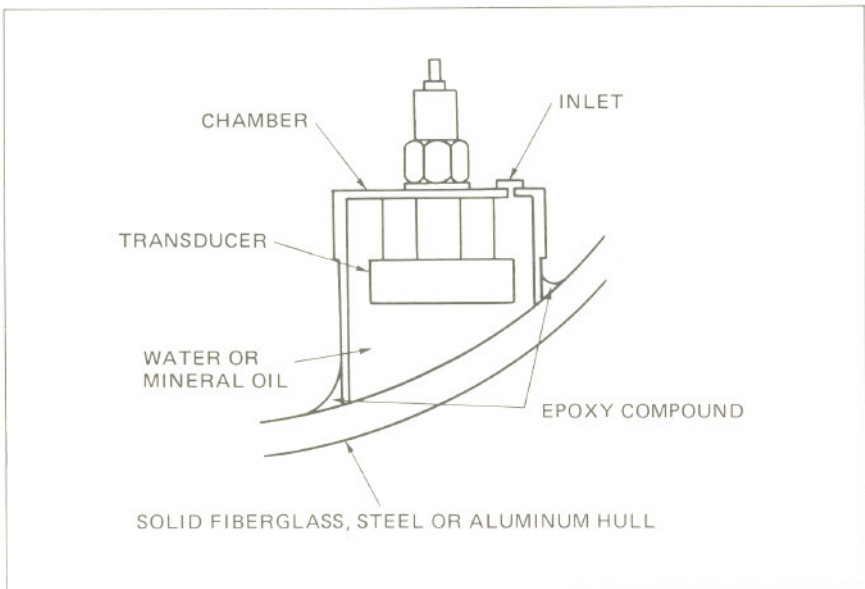
The second best type of mounting (where practical) is the "Wet Box" method. With this type of mount, it is an absolute requirement that the hull is solid, and not a double hull or cored hull design. Use a piece of PVC pipe or similar material to create a small chamber. Epoxy the pipe in place against the hull, being sure that the epoxy is applied all around the pipe so that it will hold liquid. Make a lid to fit the top of the chamber and mount the transducer to the lid. Fill the chamber with mineral oil which won't evaporate or cause corrosion as water would. In operation, the signal is transmitted through the mineral oil and through the hull. (The viscosity of the mineral oil will not affect the accuracy of the display.) The primary advantages of this type of mount is that there is no hole through the hull to compromise it's integrity, and the transducer is protected from the growth of marine life.

If using this type of mount on a tri-hull or cathedral hull, make sure that you don't mount the transducer over an air slot.

On planing hulls, make sure that the transducer is mounted over an area that is always submerged.

A transom mount transducer may also be used.

If you use this type of mounting with your MC 800, you will have to add an external temperature sensor to obtain water temperatures.



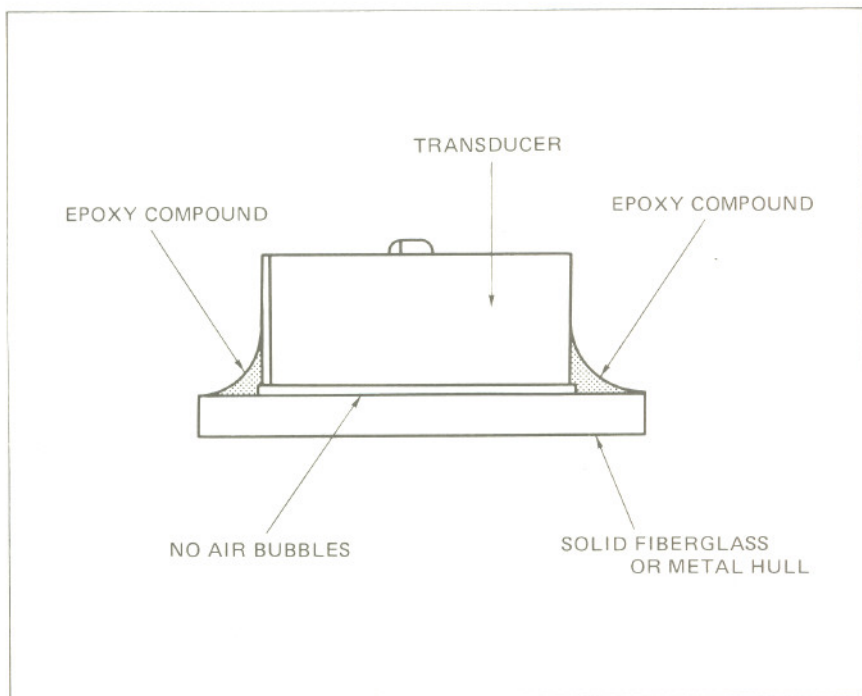
Wet Box Mount

Installation-Direct Mount

In this mounting method, the transducer is mounted directly to the hull. At the location you have selected for mounting, apply epoxy or air-free silicone rubber cement to the hull and to the face of the transducer. Roll the transducer into place, making sure that there are no air bubbles. Allow to set for at least 12 hours. The signal is transmitted directly through the hull. Please note that this type of mount cannot be used on double hull, foam cored, balsa cored, or similar type hulls.

A transom mount transducer may also be used.

If you use this type of mounting with your MC 800, you will have to add an external temperature sensor to obtain water temperatures.

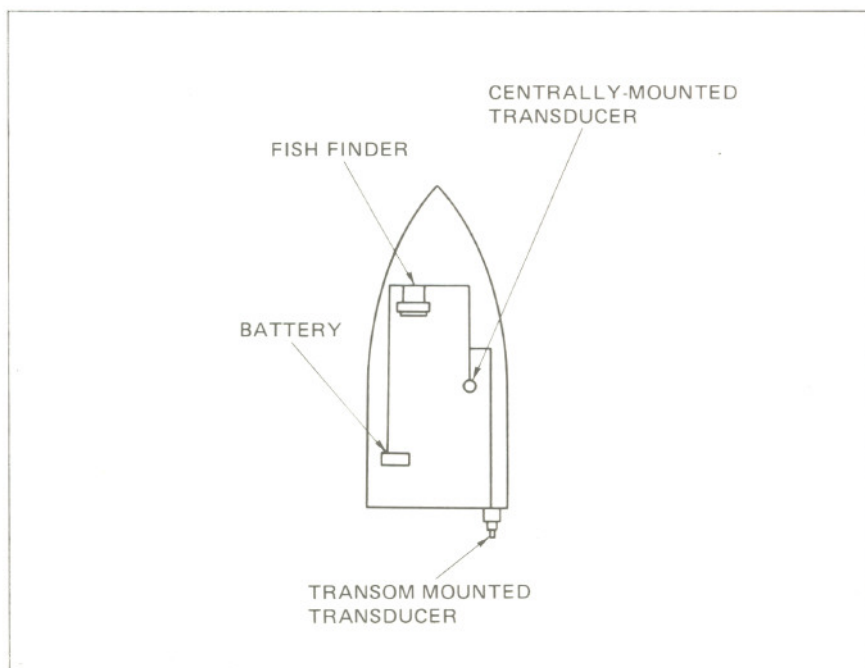


Installation-Cabling

A 24' (7 meter) length of interconnecting cable with connector is supplied with each transducer and sensor assembly, and normally should not be shortened or lengthened. If only a short cable run is required, it is recommended that the excess be coiled and stored out of the way.

The transducer cable should be run independently in the boat to the indicator unit. It should not be run close to other wiring (including the unit's own power leads) for an appreciable distance, and should be kept away from engine and related electrical wiring particularly. If it is necessary for the transducer cable to cross other wiring, it is best that it cross at right angles (or as close to 90° as possible) to minimize noise pickup.

There is also a 10' transducer cable extension available as an optional accessory.



Operation

Basic Operation

Basic operation of MC 800 is easy to learn. Use the following examples to guide you.

Turning the Power on

The unit is initiated at the 0 - 120 feet depth range with the 5th gain level and 6th sweep speed under the manual operation.

Setting the AUTO mode

To set this operating mode, simply press the AUTO key. To return to manual mode, press the AUTO key again. While in AUTO mode, the word "AUTO" is displayed at the bottom of the screen.

Setting the Depth range

To set the operating range to the 0' - 60' range:

Press the Range button. Use the \wedge and/or \vee keys until you see displayed in the right side of the screen.

Setting the Zoom range

To initiate this mode, press the Zoom key once, and the vertical zoom cursor will appear on the right side of the screen. Set the desired Zoom range by moving the cursor with the \wedge and \vee , then press the Zoom key again. The Zoom range scales appear with a digital numeric display, Zoom mode starts, and an expanded (zoomed) chart appears over the whole of the screen. The Zoom range is normally set to 15 feet, but can be changed in 1 foot increments. You can also change the Zoom setting while in the Zoom mode by pressing the Zoom key, and then either the \wedge or \vee keys to change the Zoom position.

Setting the Sweep Speed

To set the display sweep speed, first press the Sweep key (which will freeze the display), and then use the \wedge and \vee keys to adjust the sweep to the desired speed. The sweep speed is displayed on the Sweep Bar Graph at the bottom of the display. There are eight possible settings for the Sweep speed.

Operation-Continued

Setting the Gain

To set the Gain:

Press the Gain key.

Then, use the Λ and/or V buttons to set the gain to the desired level.

The gain should normally be set to the highest possible level without objectionable interference on the display. The setting of the gain control is shown on the bar graph on the top of the display. The minimum setting is displayed as one dot on the graph, and the maximum is displayed as eight dots.

Silencing the Audio Alarms

To disable the alarm, simply press the Reset button. To reenale the audio alarm, press the Reset button again.

Note:

When the audio alarm is disabled, you will get NO audible alert regardless of any other setting. Use caution when the audio alarm is disabled.

Setting the Shallow Alarm

To set the Shallow Alarm:

Press the Alm S key.

Then, use the Λ and/or V buttons to set the alarm to the desired depth.

The setting of the shallow alarm is displayed on the bar graph on the right side of the display. When the alarm is set, a black bar will extend down from the top of the display to the depth that it is set at. If the unit gets an echo that is shallower than the setting, the audible alarm will sound.

To silence the Shallow Alarm:

Press the Reset button.

Operation-Continued

Setting the Deep Alarm

To set the Deep Alarm:

Press the Alm D key.

Then, use the \wedge and/or \vee buttons to set the alarm to the desired depth.

The setting of the deep alarm is displayed on the bar graph on the right side of the display. When the alarm is set, a black bar will extend up from the bottom of the display to the depth that the alarm is set at. If the unit gets an echo that is deeper than the setting, the audible alarm will sound.

To silence the Deep Alarm

Press the Reset button.

Setting the Fish Alarm

Press the fish shaped key once to turn on, and press again to turn off. When the Fish Alarm is turned on, the audible alarm will sound anytime an echo above the bottom is detected.

To silence the Fish Alarm:

Press the Reset key.

Using the Flash Mode

Press once to turn on, and press again to turn off. When the flash mode is on, all echoes above the bottom will flash on and off, to call attention to them.

Using the Display Freeze

The Display Freeze is used to temporarily stop the display sweep to allow you to study the details of the display.

To Freeze the Display:

Press the Sweep button once.

To Resume normal display sweep:

Press the Sweep button again.

Using the Backlight

Use the backlight for easy visibility at night. To turn the backlight on or off simply press the Light button.

Operation-Continued

Using the Simulator Mode

The simulator mode can be used to help you become familiar with the controls and operation of your MC 800. To start the simulator mode:

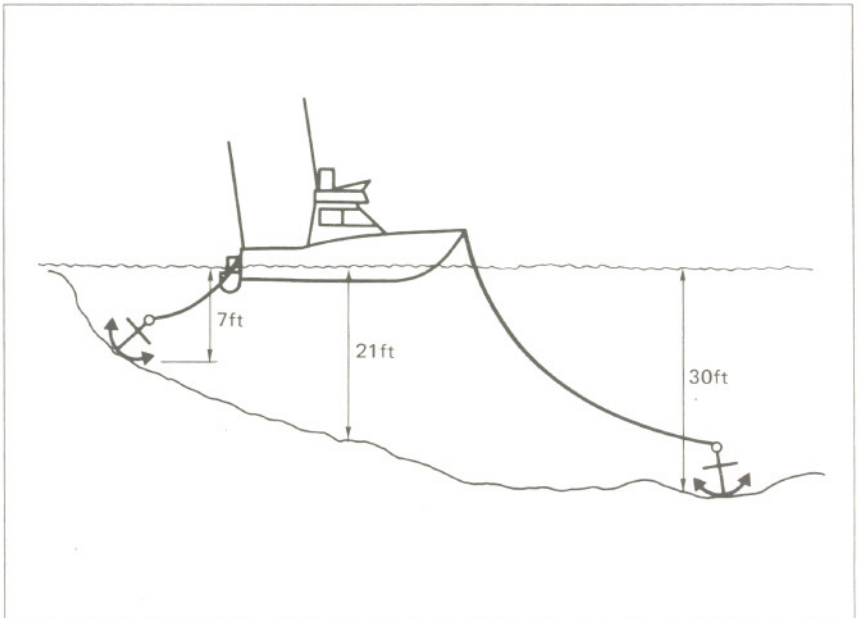
When turning the unit on, press and hold the Power key for approximately 2 seconds. The unit will then present you with a simulated display. To return to normal operation, simply turn the unit off and then back on again.

Digital Display Mode

When you first turn the unit on, the display will show the normal chart display mode. Press the DDM button once to give you a large Digital Depth and Water Temperature display. Press the DDM or AUTO buttons to return to normal chart display mode. While in DDM, all functions except AUTO and LIGHT are disabled.

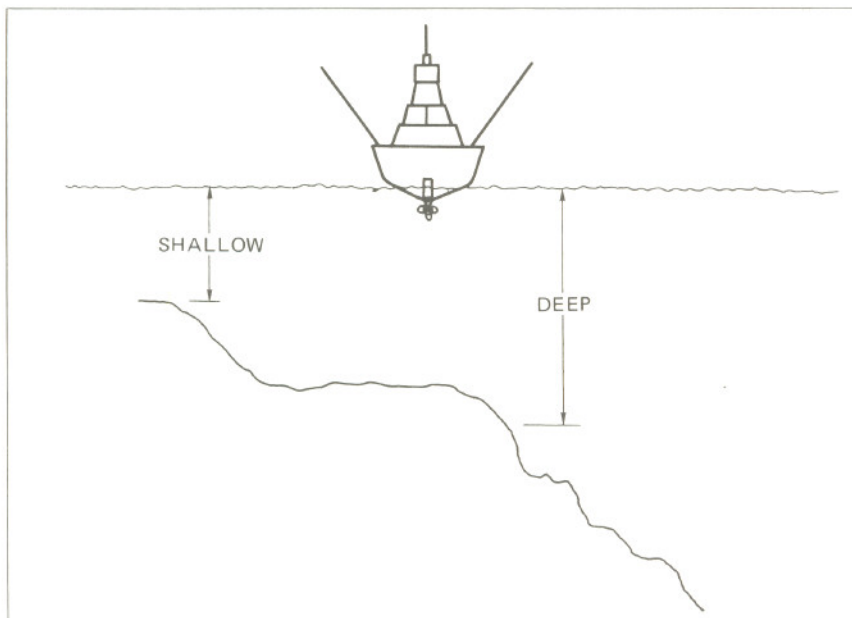
Anchor Watch

The shallow and deep alarms of the MC 800 make it the ideal companion for an anchor watch. Simply set the alarms to the required depths, make sure that the audio alarm is turned on, and your MC 800 will sound the alert if your anchor drags. See the diagram below for a complete explanation.



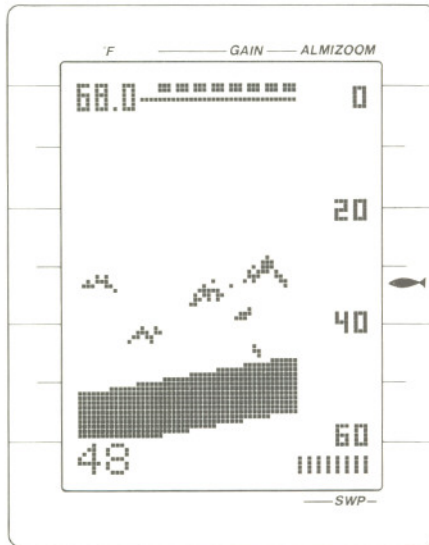
Contour Navigation

The MC 800's shallow and deep alarms are also useful for contour navigation. By setting the alarms for the maximum and minimum depths you wish to remain between, the MC 800 will alert you if you stray from this. This feature is particularly useful for fishing near continental shelves and other drop offs, since your MC 800 will alert when you drift away from the best fishing waters.



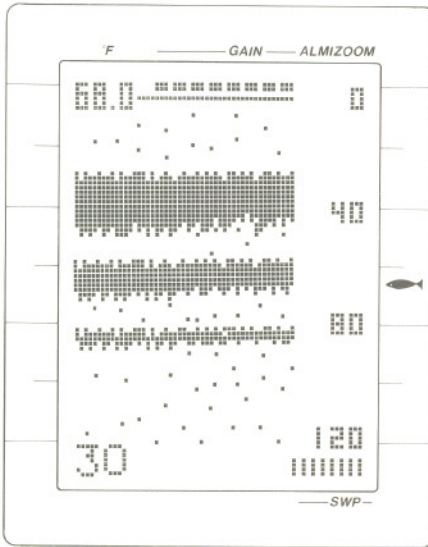
Interpreting Screen Pictures-1

The Super Twist Nematic Liquid Crystal Display of your MC 800 gives you sharp, clear, easy to read pictures of what's below. To help you interpret what you see, refer to the following section for some examples of typical things you may encounter.

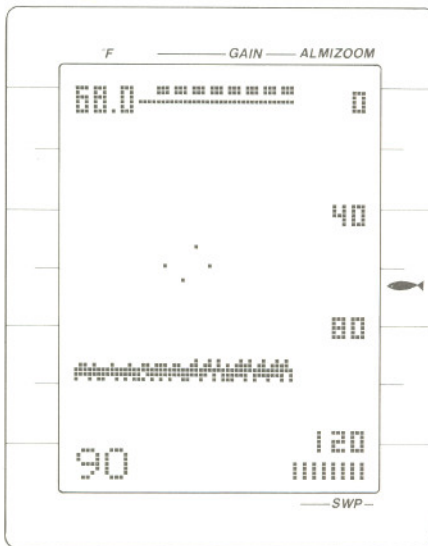


Normal Gain Setting

Interpreting Screen Pictures-2

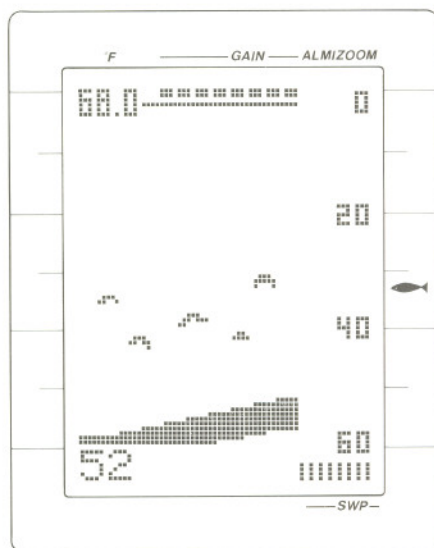


Gain Setting Too High

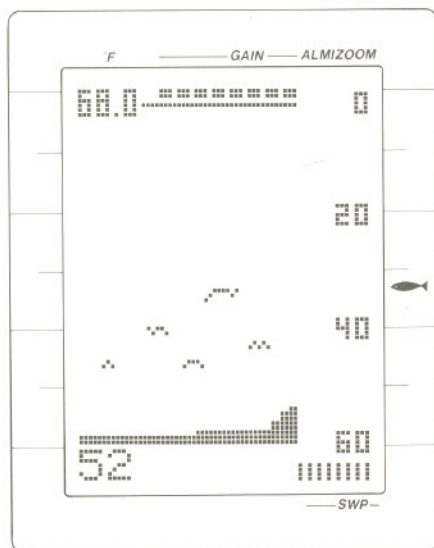


Gain Setting Too Low

Interpreting Screen Pictures-3

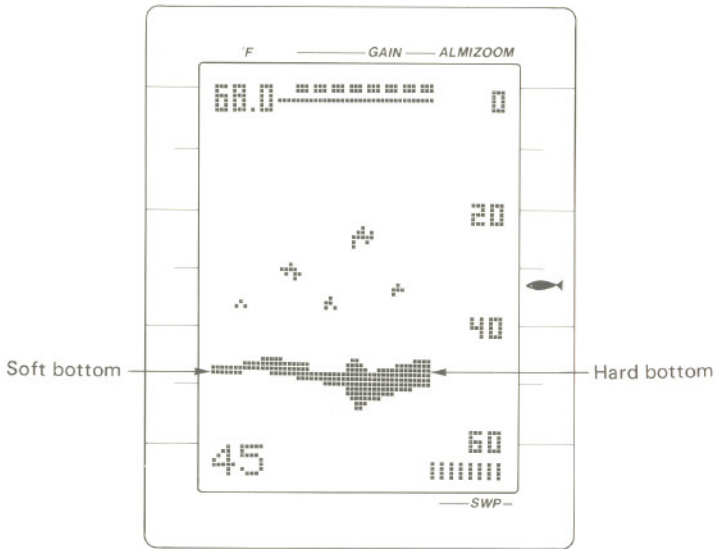


Fast Sweep

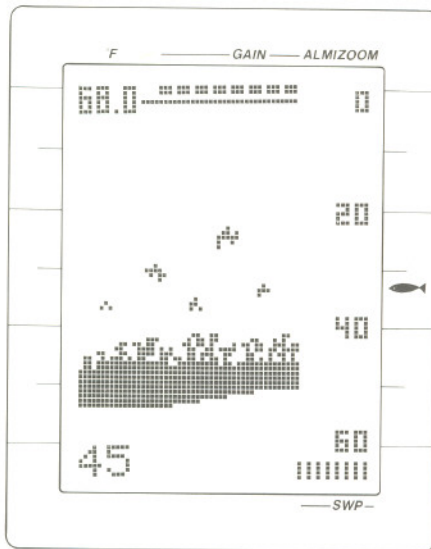


Slow Sweep

Interpreting Screen Pictures-4

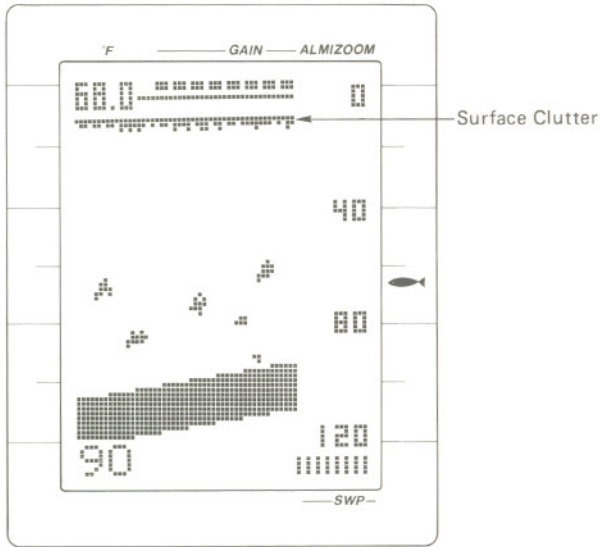


Soft and Hard Bottom Echoes

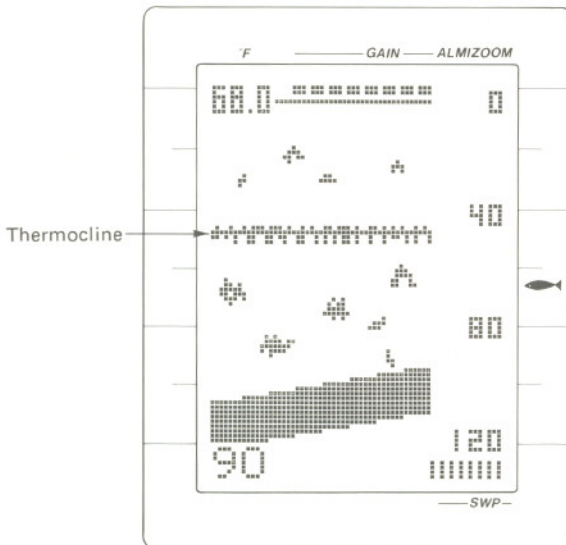


Echo from Underwater Plants

Interpreting Screen Pictures-5



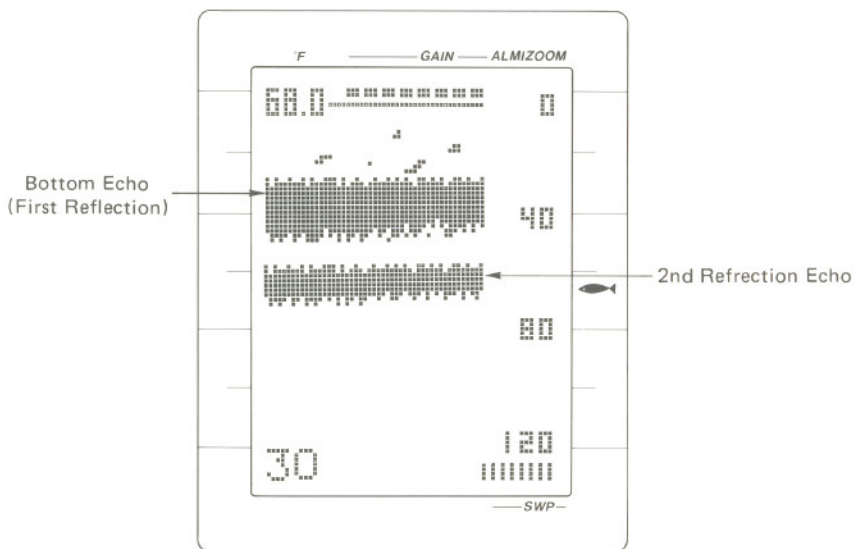
Surface Clutter



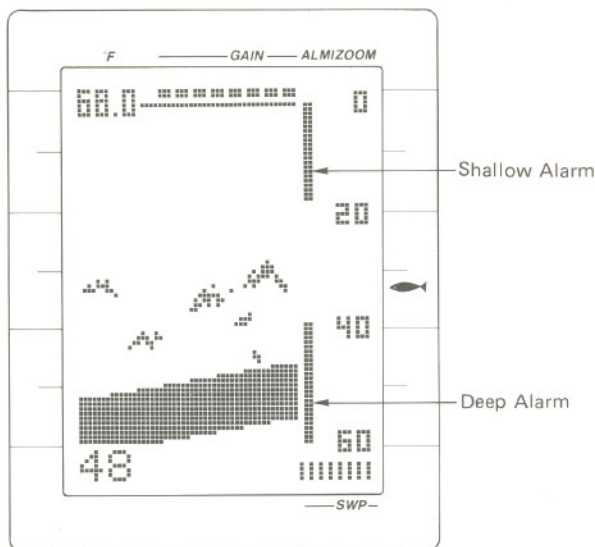
Thermocline

Note: A thermocline is the boundary region between layers of water of different densities caused by a difference in temperature. This condition can also occur with a difference in salinity.

Interpreting Screen Pictures-6

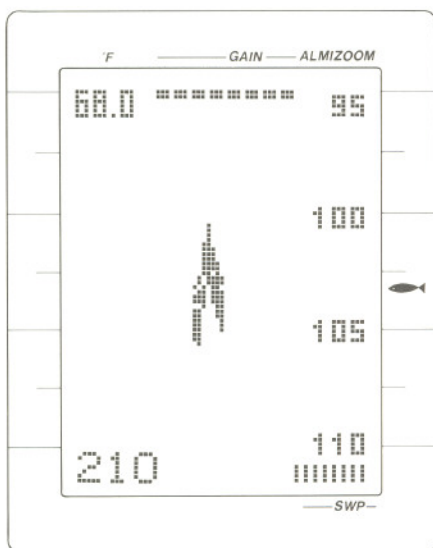
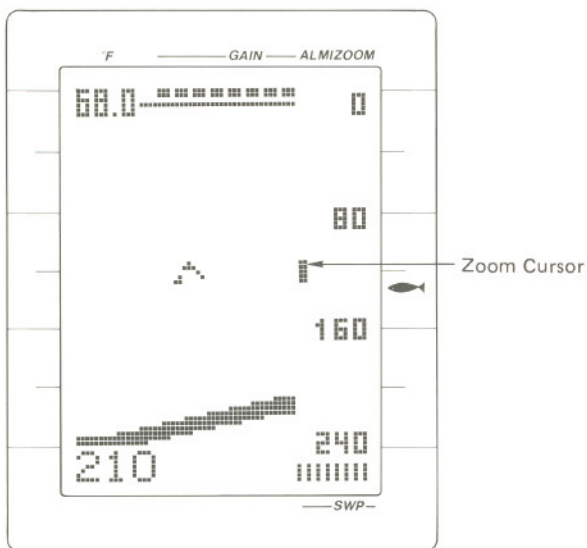


First and Second Reflection Echoes

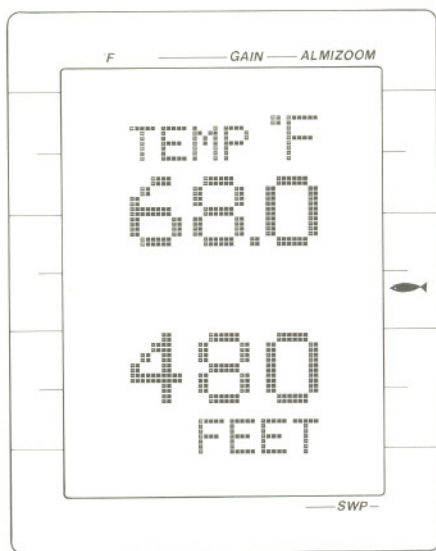


Shallow and Deep Alarms

Interpreting Screen Pictures-7



Interpreting Screen Pictures-8



DDM (Digital Display Mode)

Specifications

General

Display type	Dot Matrix Graphic Super Twist Nematic Liquid Crystal Display
Keypad	Tactile Feedback Membrane Keypad
Power	12V DC nominal

Operational

Depth Ranges	0'-15', 0'-30', 0'-60', 0'-120', 0'-240' & 0'-480'
Transducer Frequency	200 KHz
Output Power	160W P-P (20W RMS) for 0'-15' and 0'-30' ranges 520W P-P (65W RMS) for all other ranges
Alarm Ranges	Shallow – 3 to 480 feet Deep – 480 to 3 feet
Zoom Width	15 feet on any depth range with one foot increment

Display

Dimensions	4.3''H x 3.3'' (109H x 83W m/m)
Dot Size	1.1 mm x 1.1mm
Dot Spacing	0.1 mm
Backlighting	by lamp

Physical

Size	7.7''W x 6.3''H x 1.9''D (195W x 160H x 48 Dmm)
Weight	1.8 lbs (800g) approx.

Troubleshooting

Problem: Unit will not operate -

1. Check power cord in-line fuse.
2. Check power connections.
3. Check if unit is turned on.
4. Check battery supply voltage.

Problem: Unit causes Interference with radio reception -

1. Connect the power cable to a different circuit than the radio.
2. Reroute cables well away from the radio.

Problem: No bottom display -

1. Check depth range for correct setting.
2. Check that transducer is connected.
3. Check for transducer cavitation (air gap under transducer during high speed operation).

Problem: Excessive clutter on the display -

1. Lower Gain setting.
2. Check for turbulence under transducer.
3. Check for mild cavitation under transducer.
4. Check for other depth sounders operating nearby.

Warranty

ONE YEAR LIMITED WARRANTY

WARRANTOR: UNIDEN CORPORATION OF AMERICA ("UNIDEN"), 6345 Castleway Court, Indianapolis, Indiana 46250.

ELEMENTS OF WARRANTY: UNIDEN warrants, for the duration of this warranty, UNIDEN Marine Products (hereinafter referred to as the Product) to be free from defects in materials and craftsmanship with only the limitations or exclusions set out below.

WARRANTY DURATION: This warranty shall terminate and be of no further effect one (1) year after the date of the original purchase of the Product or at the time the Product is (A) damaged or not maintained as reasonable or necessary, (B) modified, (C) improperly installed, (D) repaired by someone other than warrantor for a defect or malfunction covered by this warranty, (E) used in a manner or purpose for which the Product was not intended, or (F) sold by the original purchaser.

STATEMENT OF REMEDY: In the event that the product does not conform to this warranty at any time while this warranty is in effect, warrantor will repair the defect and return it to you without charge for parts, service, or any other cost incurred by warrantor or its representatives in connection with the performance of this warranty. **THE WARRANTY DOES NOT COVER OR PROVIDE FOR THE REIMBURSEMENT OR PAYMENT OF INCIDENTAL OR CONSEQUENTIAL DAMAGES.** Some states do not allow this exclusion or limitation of incidental or consequential damages so the above limitation or exclusion may not apply to you.

WARRANTY REGISTRATION CARD: In order to facilitate the servicing of this warranty by the warrantor, the Warranty Registration Card should be returned to the warrantor. However, return of the Warranty Registration Card is not a precondition of this warranty, and this warranty will be observed by the warrantor whether or not the Warranty Registration Card is returned, provided that other satisfactory evidence of the date of purchase is provided.

Warranty

PROCEDURE FOR OBTAINING PERFORMANCE OF WARRANTY: In the event that the Product does not conform to this warranty, the Product should be shipped or delivered, freight prepaid, to warrantor at UNIDEN Customer Service Center, 9340 Castlegate Drive, Indianapolis, IN 46256 with evidence of original purchase.

LEGAL REMEDIES: This warranty gives you specific legal rights, and you may also have other rights which vary from state to state.

This warranty is void outside of the United States of America.

uniden MC 800 Product Registration Card

Thank you for choosing a Uniden ® Marine Electronic product. You have chosen one of the most sophisticated, technologically advanced electronic products available. Please fill out the requested information on this card so that we can better understand our customers and their needs. With this information, we can plan new products, advertising, and guide our customer service programs. Thanks for your help.

1. Mr. 2. Mrs. 3. Ms. 4. Miss

5. First Name _____ 6. Initial _____ 7. Last Name _____

8. Street _____ 9. Apt. No. _____

10. City _____ 11. State _____ 12. Zip _____

13. Date of Purchase _____
mo. day year 14. Serial Number _____

15. Is this the first Uniden LCD Fishfinder you have purchased or received as a gift?

Yes No

16. If No, please specify brand and model number purchased.

A _____

B _____

C _____

17. Where did you purchase the product?

- Department Store
- Discount Store
- Catalog Showroom
- Electronics Specialty Store
- Local Electronics Dealer
- Mail Order
- Gift
- Truck Stop

18. How did you become aware of this product

- TV Advertisement
- Magazine Advertisement
- Store Display
- Friends Recommendation
- Salesperson's Recommendation
- Previous Use

19. Please check the factor that most influenced your purchase of the product.

- Style or Appearance
- Price
- Uniden Reputation
- Warranty
- Previous Use
- Features
- Quality

20. Please check your age category

- Under 20
- 20-25
- 26-30
- 31-35
- 36-40
- 41-45
- 46-50
- 51-55
- 56-60
- 61-65
- 66-over

21. Occupation

- Homemaker
- Teacher/Educator
- Professional Driver
- Executive/Administrator
- Civil Servant
- Sales/Marketing
- Clerical
- Farmer/Agriculture
- Military
- Technical/Professional
- Business/Professional
- Craftworker
- Machine Operator/Laborer
- Retired
- Student

22. Please check your approximate family income.

- Under \$10,000
- \$10,000 - \$19,999
- \$20,000 - \$29,999
- \$30,000 - \$39,999
- \$40,000 - \$49,999
- \$50,000 - \$59,999
- \$60,000 & over

Place
First Class
Stamp
here

uniden®

6345 Castleway Court
Indianapolis, IN 46250

Attn: MC Market Research Department

Please do not send any products or service related correspondence to this address

23. What type of car (s) do you drive?

- Compact
- Mid Size
- Sports
- Full Size
- Station Wagon
- Van
- Recreational Vehicle
- Specialty
- Motor Cycle
- Pick Up

24. What magazine(s) do you read?

- Road & Track
- Car & Driver
- Motor Trend
- Auto Week
- American Trucker
- Road King
- Playboy
- Sports Illustrated
- Penthouse
- Time
- Newsweek
- Popular Science
- Popular Mechanics
- Consumer Reports
- People

25. What types of credit cards do you use?

- American Express, Diner's Club, Carte Blanche
- Bank Cards (Master Card, Visa, etc.)
- Gasoline Card, Name _____
- Department Store Card
- None of the above

uniden

6345 Castleway Court
Indianapolis, IN 46250

Printed in Japan

Free Manuals Download Website

<http://myh66.com>

<http://usermanuals.us>

<http://www.somanuals.com>

<http://www.4manuals.cc>

<http://www.manual-lib.com>

<http://www.404manual.com>

<http://www.luxmanual.com>

<http://aubethermostatmanual.com>

Golf course search by state

<http://golfingnear.com>

Email search by domain

<http://emailbydomain.com>

Auto manuals search

<http://auto.somanuals.com>

TV manuals search

<http://tv.somanuals.com>