

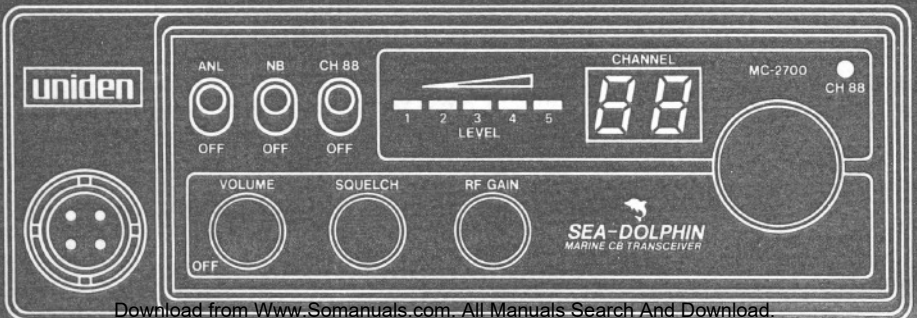
uniden®

MC-2700

10 Channel
Marine CB Transceiver

OWNER'S MANUAL

SEA-DOLPHIN



DESCRIPTION

Your MC2700 represents the most advanced Mobile Station type radio ever designed for use in the Inshore Boating Radio Communications Service, combined with unique features for use on a boat. It will operate on any of the 10 frequencies designated as citizens band channels by the Department of Transport and Communications (DOTAC). Your Model MC2700 features a frequency synthesizing circuit with PHASE LOCK LOOP techniques to assure ultraprecise frequency control. This radio has been Type Accepted approved by the DOTAC.

WARNING

The Inshore Boating Radio Communications Service is under the jurisdiction of the Department of Transport and Communications (DOTAC). Any adjustments or alterations which would alter the performance of the transceiver's original DOTAC Type Approval or which would change the frequency determining method are strictly prohibited. Replacement or substitution of Crystal, Transistors, IC, Regulator Diodes or any other part of a unique nature, with parts other than those recommended by us, may cause violation of the technical regulations of the DOTAC Rules.

INSTALLATION

CAUTION: The UNIDEN MC2700 will operate only with nominal 12 volt negative ground battery system.

It is important to carefully determine the most suitable location for your UNIDEN MC2700 on your vessel. Electrical, mechanical, and environmental considerations must all be taken into account. You must select the optimum relationship among these considerations.

Some of the more important external factors to consider in selecting the location of your UNIDEN MC2700 are:

1. Select a location that is free from spray and splash.
2. Keep the battery leads as short as possible. Connection directly to the battery is most desirable. If direct connection cannot be made with the supplied power lead, any extension should be made with #14 AWG wire. Long extensions should use larger wire.
3. Keep the antenna lead as short as possible. Long antenna leads can cause substantial loss of performance for both receiving and transmitting.
4. Locate your antenna as high as possible and clear from metal objects. The reliable range of coverage is a direct function of antenna height.

5. Select a location that does not allow the radio to be subjected to direct sunlight (including that coming through windows).
6. Select a location well away from the ship's compass. Auxiliary speakers also should be located away from the compass.

ANTENNA

Since the maximum allowable power output of the transmitter is limited by the DOTAC, the antenna is a very important factor affecting transmission distance. It is for this reason that we strongly recommend that you install only a quality antenna in your new citizens band system.

Only a properly matched antenna system will allow maximum power transfer from the 50-ohm transmission line to the radiating element. Your UNIDEN dealer is qualified to assist you in the selection of the proper antenna to meet your application requirements.

NOTE: The general rules for antennas are: The more gain the greater the range and the higher above the water line the greater the range. Antennas should be located so as not to be in proximity to metal objects. Antennas should not have excessively long coaxial feed cables.

CONNECTING THE POWER CORDS

After you have carefully considered the various factors affecting your choice of location, position the radio (with the bracket, microphone, power plug, antenna plug, and any auxiliary plugs installed) into the selected location to assure there is no interference with surrounding items. Mark the location of the mounting bracket. Remove the bracket from the radio and use it as a template to mark the holes to be drilled for the mounting hardware. Drill the holes and mount the bracket with hardware compatible with the material of the mounting surface. Install the power cable (red is +, black is -), antenna, all other auxiliary cables and accessories. Install the radio into the mounting bracket and connect all cables and accessories to the appropriate jacks and connectors.

OPERATING PROCEDURE TO RECEIVE

1. Be sure that the power source, antenna and microphone are connected to the proper connectors before going to the next steps.
2. Turn the unit ON by rotating the Volume Control clockwise.
3. Set the Channel Selector Switch to the desired channel.
4. Set the Volume Control to a comfortable listening level.
5. Listen to the background noise from the speaker. Turn the Squelch Control slowly clockwise until the noise JUST disappears (no signal should be present). Leave the control at this setting. The SQUELCH is now properly adjusted. The receiver will remain quiet until a signal is actually received. Do not advance the control too far, or some of the weaker signals will not be heard.

OPERATING PROCEDURE TO TRANSMIT

CAUTION

The transmitter Voltage Standing Wave Ratio (V.S.W.R.) measurement must be performed prior to the use of the transmitter. A V.S.W.R. ratio in excess of 2:1 may damage the transmitter.

1. Be sure the operator has read and understands DOTAC Rules and Regulations prior to operating the transmitter.
2. Select the desired channel.
3. If the channel is clear, depress the push-to-talk switch on the microphone and speak in a normal voice.

OPERATOR TROUBLESHOOTING

Should the unit malfunction or not perform properly, the operator should perform the procedures indicated below:

1. If the transceiver is completely inoperative.
 - * Check the power cord and fuse.
2. If trouble is experienced with receiving.
 - * Check ON/OFF VOLUME CONTROL setting.
 - * Be sure SQUELCH is adjusted properly. Is the radio over-squelched?
 - * Check to see that the radio is switched to an operational mode.
3. If trouble is experienced with transmitting.
 - * Check to see that the transmission line (coaxial cable) is securely connected to the ANTENNA CONNECTOR.
 - * Be sure that the antenna is fully extended for proper operation.
 - * Be sure that all transmission line (coaxial cable) connections are secure and free of corrosion.

SPECIFICATIONS

GENERAL

Channels
 RADIOTELEPHONY : 10

Frequency
 RADIOTELEPHONY : 27.680 – 27.980

Microphone : 500 ohm, Dynamic
 Type

Speaker : 3 inches, 16 ohms

Size : 154(W) x 52(H) x
 192(D) mm

Weight : 1.1 Kgs

Accessories : DC Power Cable with
 Built-in Fuse, Micro-
 phone, Microphone
 Hanger with Screws,
 Mounting Bracket
 with Screws

RECEIVER

Maximum Sensitivity : 1.0 μ V

Threshold Squelch
 Sensitivity : 1.0 μ V

Tight Squelch Sensitivity : 2.0 μ V

Adjacent Channel Selectivity
 at \pm 10kHz : 60 dB

Image Rejection Ratio
 -910kHz : 90 dB

Audio Output Power
 a. Maximum : 5W
 b. 10% THD : 4W

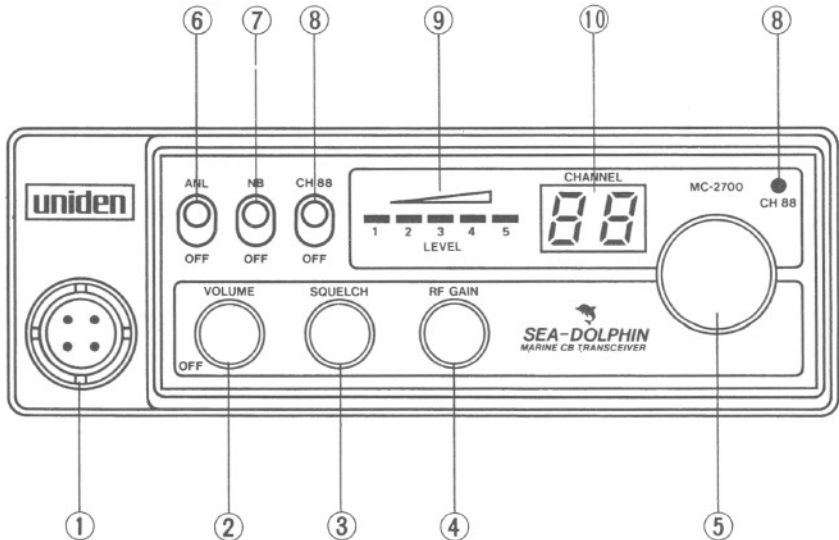
S-Meter Sensitivity at "4th digit": 100 μ V

TRANSMITTER

Frequency Tolerance
 25°C 13.8V : \pm 0.0005 %

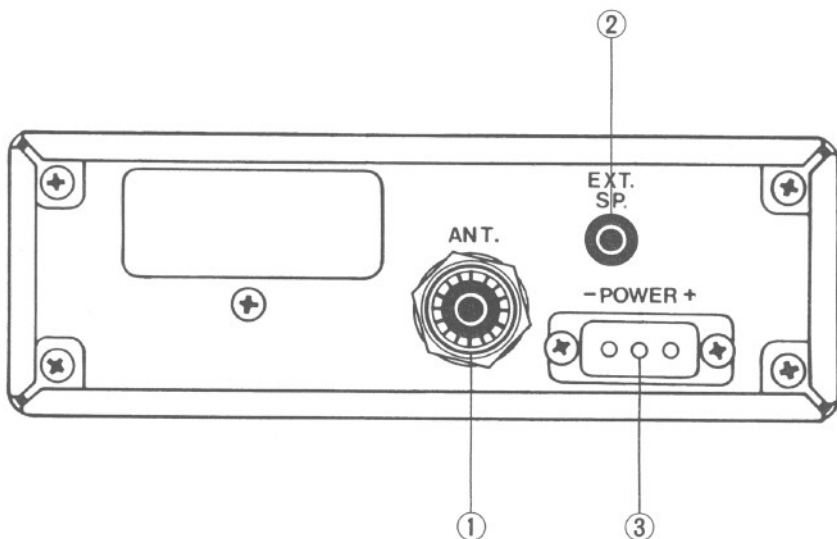
RF Power Output : 4W

FRONT PANEL CONTROLS AND INDICATOR



1. **MICROPHONE CONNECTOR:** Receptacle for microphone connection.
2. **ON/OFF-VOLUME:** Turns power on to radio and allows adjustment to the desired listening level with clockwise rotation.
3. **SQUELCH:** Used to quiet background noise when no signal is being received. Proper adjustment is such that the control is advanced only slightly beyond the point where the background noise is marginally quieted.
4. **RF GAIN:** This control is used primarily to optimize reception in strong signal areas. Gain is reduced by counter-clockwise rotation of the control.
5. **CHANNEL SELECTION CONTROL:** This control selects the desired channel for transmission and reception. All channels except channel 88, may be used for communications between stations. Channel 88 has been reserved by the DOTAC for emergency communications involving the immediate safety of individuals or immediate protection of property. This is a DOTAC rule and applies to all operators of citizens band radios.
6. **ANL (AUTOMATIC NOISE LIMITER) ON/OFF SWITCH:** The ANL circuit reduces most undesirable interference noises.
7. **NB (NOISE BLANKER) ON/OFF SWITCH:** The NB is very effective for reducing repetitive impulse noise such as ignition noise.
8. **CHANNEL 88 ON/OFF SWITCH:** This switch selects channel 88, Channel Indication will disappear and CH 88 LED will flash.
9. **S/RF METER:** This LED meter shows the relative strength of the received signal or transmitted power.
10. **CHANNEL INDICATOR:** Light Emitting Diode(LED) indicates the channel number in use.

REAR PANEL CONNECTORS



- 1. ANTENNA CONNECTOR:** This female connector permits connection of the transmission line cable male connector (PL-259) to the transceiver.
- 2. EXTERNAL SPEAKER:** The External Speaker Jack is used for remote receiver monitoring. The external speaker should have 8-ohm impedance and be rated to handle at least 4.0 watts. When the external speaker is plugged in, the internal speaker is automatically disconnected.
- 3. POWER:** This jack permits connection of the D.C. power to the transceiver. A power cord with polarized plug is supplied with the radio. The polarized plug ensures that the power will always be connected properly.

SERVICING YOUR TRANSCEIVER

The technical information, diagrams and charts will be supplied upon request. It is the user's responsibility to see that this radio is operating at all times in accordance with the DOTAC Inshore Boating Radio Communications Service regulations. We highly recommend that you consult a qualified radio telephone technician for the servicing and alignment of this marine radio product.

Please refer to the WARNING information contained in the 1st page of this Owner's Manual.

(NOTE: When ordering parts, it is essential to specify the correct model number and serial number of the unit.)

WARRANTY

Uniden MC-2700 Marine CB Radio Australian 1 Year Warranty.

(Accessories are covered for 90 days only).

Note: Please keep your sales docket as it provides evidence of warranty.

WARRANTOR: Uniden Australia Pty. Ltd.

ELEMENTS OF WARRANTY: Uniden warrants to the original retail owner for the duration of this warranty, its MC-2700 Marine CB Radio (hereinafter referred to as the Product), to be free from defects in materials and craftsmanship with only the limitations or exclusions set out below.

WARRANTY DURATION: This warranty to the original user only shall terminate and be of no further effect One (1) Year after the date of original retail sale. This warranty will be deemed invalid if the product is (A) Damaged or not maintained as reasonable and necessary, (B) Modified, altered, or used as part of any conversion kits, subassemblies, or any configurations not sold by Uniden, (C) Improperly installed, (D) Repaired by someone other than an authorised Uniden Repair Agent for a defect or malfunction covered by this warranty, (E) Used in conjunction with any equipment or parts or as part of a system not manufactured by Uniden, (F) Installed, programmed or serviced by anyone other than an authorised Uniden Repair Agent, (G) Where the Serial Number label of the product has been removed or damaged beyond recognition.

PARTS COVERED: This warranty covers for 1 year; the Transceiver and Microphone only. All accessories, (Leads, Brackets, Clips, Screws etc), are covered for 90 days only.

STATEMENT OF REMEDY: In the event that the product does not conform to this warranty at any time while this warranty is in effect, the warrantor will at its discretion, repair the defect or replace the product and return it to you without charge for parts or service. **THIS WARRANTY DOES NOT COVER OR PROVIDE FOR THE REIMBURSEMENT OR PAYMENT OF INCIDENTAL OR CONSEQUENTIAL DAMAGES.**

WARRANTY CARD: If a warranty card had been included with this product then please fill it in and return it to us within 14 days of purchase. Your name and the serial number of the product will then be registered in our database and this will help us to process your claim with greater speed and efficiency should you require warranty service.

PROCEDURE FOR OBTAINING PERFORMANCE OF WARRANTY. In the event that the Product does not conform to this warranty, the Product should be shipped or delivered, freight pre-paid, with evidence of original purchase, (eg/a copy of the sales docket), to the warrantor at:

UNIDEN AUSTRALIA PTY LTD - SERVICE DIVISION

345 Princes Highway, Rockdale, Sydney. NSW 2216.

Ph (02) 599 3100 Fx (02) 599 3278

Customers in other States should ship or deliver the Product freight pre-paid to their nearest Uniden Authorised Repair Centre.
(Contact Uniden for the nearest Warranty Agent to you).

Adelaide (08) 365 2588 Brisbane (07) 290 1188

Melbourne (03) 335 4322 Perth (09) 227 6386

Free Manuals Download Website

<http://myh66.com>

<http://usermanuals.us>

<http://www.somanuals.com>

<http://www.4manuals.cc>

<http://www.manual-lib.com>

<http://www.404manual.com>

<http://www.luxmanual.com>

<http://aubethermostatmanual.com>

Golf course search by state

<http://golfingnear.com>

Email search by domain

<http://emailbydomain.com>

Auto manuals search

<http://auto.somanuals.com>

TV manuals search

<http://tv.somanuals.com>