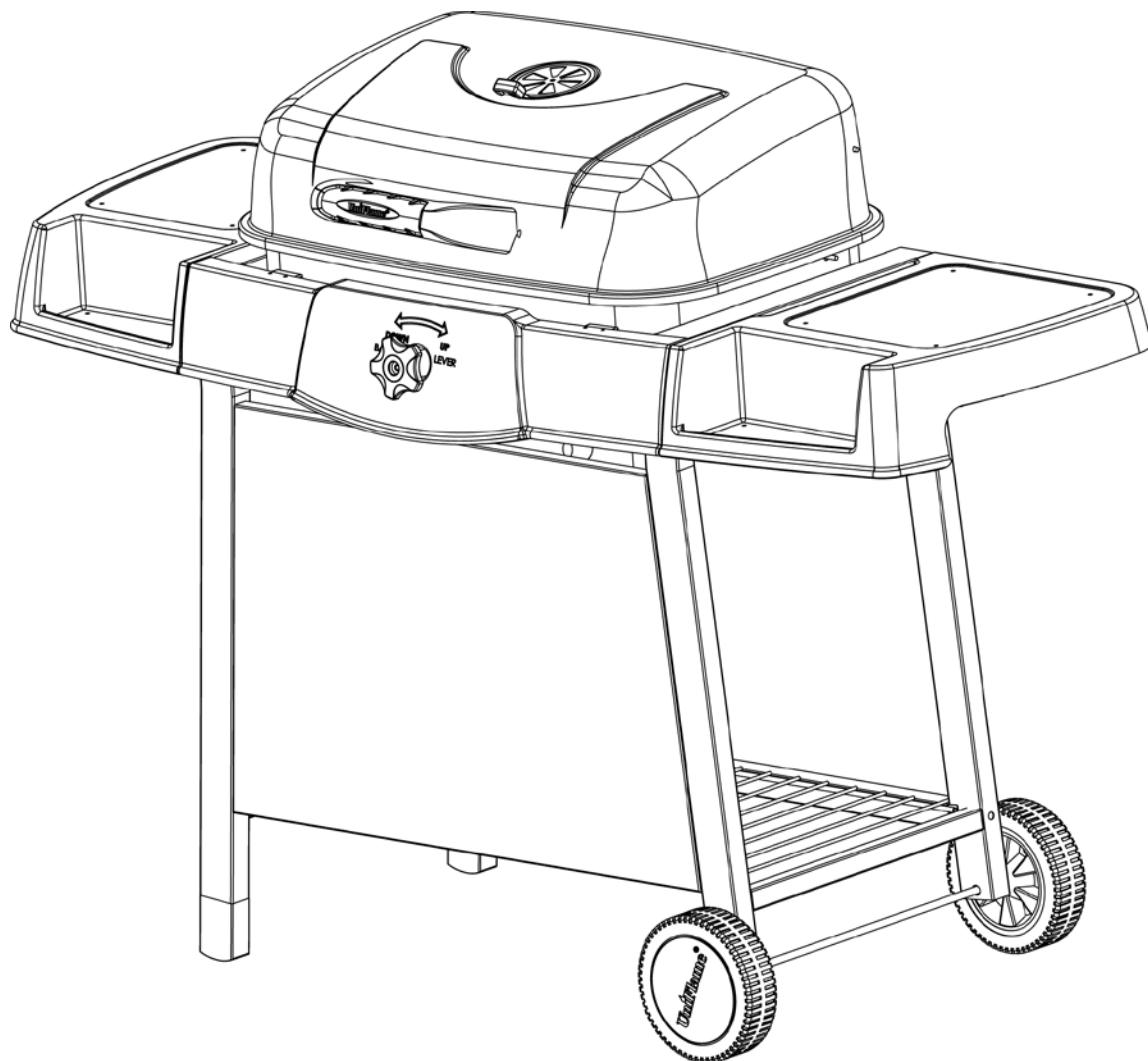


Outdoor Charcoal Barbecue Grill

Model No. CBC940WD-C



WARNING
FOR YOUR SAFETY:
For Outdoor Use Only
 (outside any enclosure)

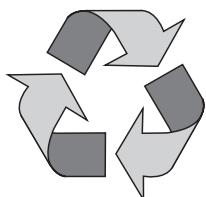
WARNING
FOR YOUR SAFETY:

- 1. Improper installation, adjustment, alteration, service or maintenance can cause injury or property damage.**
- 2. Read the installation, operation, and maintenance instructions thoroughly before installing or servicing this equipment.**
- 3. Failure to follow these instructions could result in fire or explosion, which could cause property damage, personal injury, or death.**

Table of Contents

Important Safeguards	Page 2
Exploded View & Hardware	3
Assembly Instructions	4
Operating Instructions	8
First Use	8
Cooking	8
Tips	8
Cleaning and Care	8
Product Registration	8
Limited Warranty	8

Save these instructions for future reference. If you are assembling this unit for someone else, give this manual to him or her to read and save for future reference.



Made from 70% Bagasse
 (Environmentally Friendly Sugar
 Cane Pulp By-product)

Manufactured in China for:
 Blue Rhino Global Sourcing, Inc
 Winston-Salem, NC USA
 1.800.762.1142, www.bluerhino.com

© 2008 Blue Rhino Global Sourcing, Inc. All Rights Reserved
 UniFlame® is a Registered Trademark of Blue Rhino Global Sourcing, Inc.. All Rights Reserved.

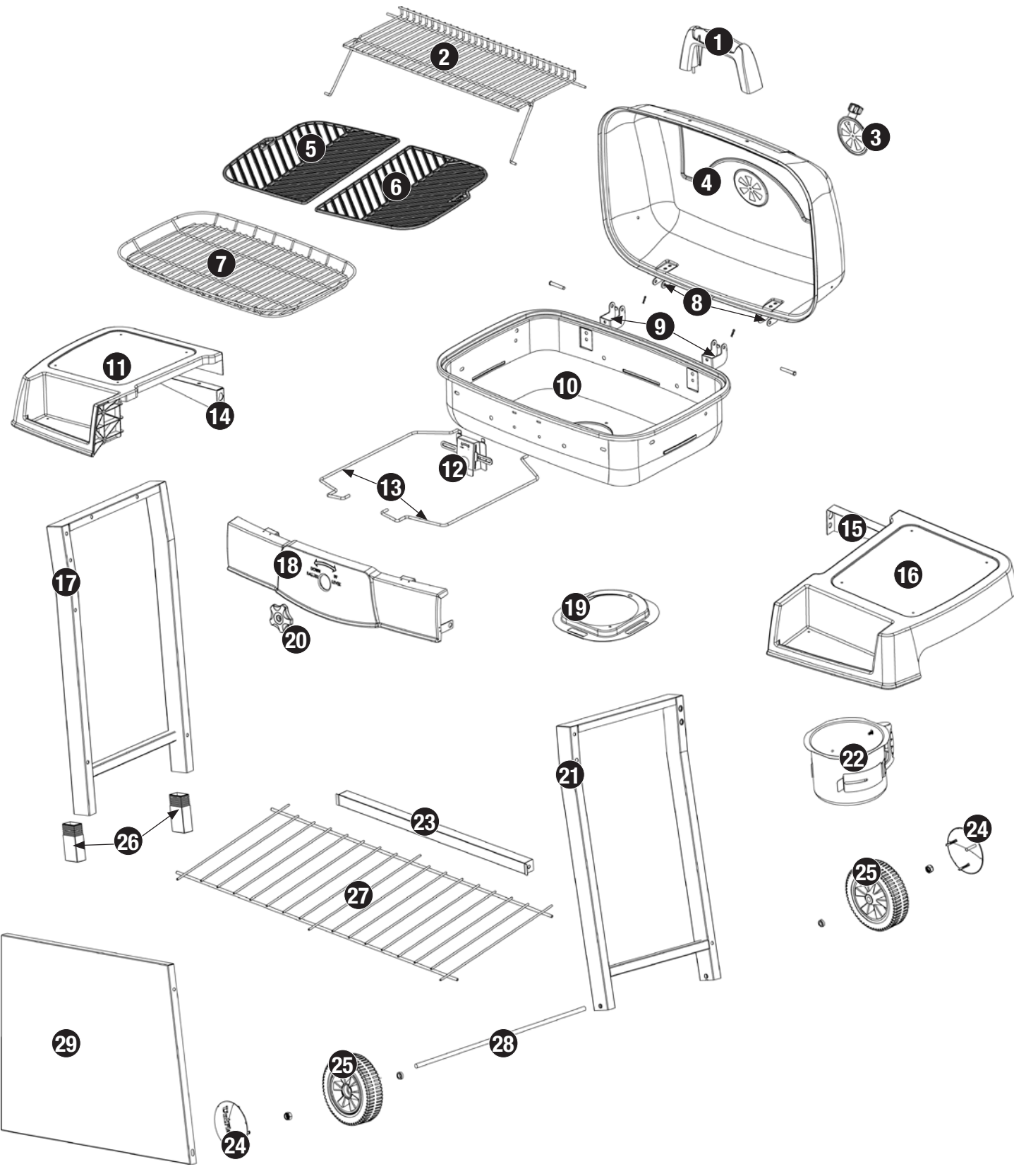


▲ DANGER: Failure to follow the dangers, warning and cautions in this manual may result in serious bodily injury or death, or in a fire or an explosion causing damage to property.

▲ WARNING:

- ▲ This grill is for outdoor use only, and shall not be used in a building, garage, or any other enclosed area.
- ▲ Do NOT operate, light or use this appliance within 8 feet of walls, structures or buildings.
- ▲ This grill is NOT for commercial use.
- ▲ Do not use grill for indoor cooking or heating. Toxic carbon monoxide fumes can accumulate and cause asphyxiation.
- ▲ Do not use gasoline, kerosene, or alcohol for lighting.
- ▲ Do not use in an explosive atmosphere. Keep grill area clear and free from combustible materials, gasoline and other flammable vapors and liquids.
- ▲ Do not store or use gasoline or other flammable liquids or vapors within 25 feet (7.62 m) of this appliance.
- ▲ Instant light charcoal can burn at very high temperatures during initial startup. Make sure lid is open until charcoal turns to hot coals.
- ▲ Keep all combustible items and surfaces at least 21 inches (53 cm) away from the grill at all times. DO NOT use this grill under any overhead or near any unprotected combustible constructions.
- ▲ Do not alter grill in any manner.
- ▲ Do not use the grill unless it is completely assembled and all parts are securely fastened and tightened.
- ▲ This grill should be thoroughly cleaned and inspected on a regular basis.
- ▲ Use only Blue Rhino Global Sourcing, Inc. factory authorized parts. The use of any part that is not factory authorized can be dangerous. This will also void your warranty.
- ▲ Do not use this appliance without reading "Operating Instructions" in this manual.
- ▲ Do not touch metal parts of grill until it has completely cooled (about 45 min.) to avoid burns, unless you are wearing protective gear (pot holders, gloves, BBQ mittens, etc.).
- ▲ Never touch grates (charcoal or cooking), ashes or coals to see if they are hot.
- ▲ Do not use on wooden decks, wooden furniture or other combustible surfaces.
- ▲ Do not use in or on boats or recreational vehicles.
- ▲ Position grill so wind can not carry ashes to combustible surfaces.
- ▲ Do not use in high winds.
- ▲ Never lean over the grill when lighting.
- ▲ Do not leave a lit grill unattended. Keep children and pets away from grill at all times.
- ▲ Do not attempt to move grill when in use. Allow the grill to cool before moving or storing.
- ▲ Always open grill lid carefully and slowly as heat and steam trapped within grill can severely burn you.
- ▲ Always place your grill on a hard, non combustible level surface. An asphalt or blacktop surface may not be acceptable for this purpose.
- ▲ Do not remove the ashes until they are completely and fully extinguished.
- ▲ Live hot briquettes and coals can create a fire hazard.
- ▲ Always empty the ash catcher and grill after each use. Do not remove the ashes until they are completely and fully extinguished.
- ▲ Do not place fuel (charcoal briquets, wood or lump charcoal) directly into bottom of grill. Place fuel only on the charcoal pan/grid.
- ▲ Check to make sure the air vents are free of debris and ash before and while you are using the grill.
- ▲ Make sure ash catcher is securely and completely in place before using the grill.
- ▲ Always wear protective gloves when adding fuel (charcoal briquets, wood or lump charcoal) to retain desired heat level.
- ▲ Keep all electrical cords away from a hot grill.
- ▲ Always use a meat thermometer to ensure food is cooked to a safe temperature.
- ▲ Never cover entire cooking area with aluminum foil.
- ▲ Please use protective gloves when assembling this product.
- ▲ Do not force parts together as this can result in personal injury or damage to the product.
- ▲ Deaths, serious injury or damage to property may occur if the above is not followed exactly.

Contact 1.800.762.1142 for assistance. Do not return to place of purchase.

Parts List			Exploded View	
1	Lid Handle	55-14-793		
2	Warming Rack	55-14-790		
3	Air Vent Set	55-14-794		
4	Lid	55-08-092		
5	Left Cooking Grid	55-09-088		
6	Right Cooking Grid	55-09-089		
7	Charcoal Basket	55-14-791		
8	Top Hinge (2)	55-14-081		
9	Bottom Hinge (2)	55-14-792		
10	Bottom Bowl	55-09-089		
11	Left Side Shelf	55-08-293		
12	Adjustable Knob Assembly	55-08-295		
13	Charcoal Basket Support Rod (2)	55-08-296		
14	Left Side Shelf Support	55-08-294		
15	Right Side Shelf Support	55-08-297		
16	Right Side Shelf	55-08-300		
17	Left Cart Frame	55-08-298		
18	Control Panel	55-08-299		
19	Ash Receiver Slide	55-09-200		
20	Control Knob	55-15-106		
21	Right Cart Frame	55-08-302		
22	Ash Receiver	55-09-199		
23	Rear Cart Frame Support	55-08-303		
24	Hub Cap (2)	55-14-862		
25	Wheel (2)	55-14-861		
26	Foot (2)	55-08-304		
27	Bottom Grid	55-08-305		
28	Axle	55-14-808		
29	Front Panel	55-08-306		

Hardware				
A	Screw	M4x15 Zinc Plated Phillips Truss Head	1 pc	
B	Screw	M5x12 Zinc Plated Phillips Truss Head	3 pcs	
C	Screw	M6x15 Zinc Plated Phillips Truss Head	19 pcs	
D	Screw	M6x20 Zinc Plated Phillips Truss Head	4 pcs	
E	Screw	M6x65 Zinc Plated Phillips Truss Head	8 pcs	
F	Nut	M10 Zinc Plated	2 pcs	
G	Cap Nut	M5 Zinc Plated	2 pcs	
H	Wing Nut	M5 Zinc Plated	1 pc	
I	Wing Nut	M6 Zinc Plated	7 pcs	
J	Washer	ø5.3 Zinc Plated	2 pcs	
K	Washer	ø6.4 Zinc Plated	35 pcs	
L	Washer	ø6.4 Heat Resistant	8 pcs	
M	Lock Washer	ø5.3 Zinc Plated	3 pcs	
N	Lock Washer	ø6.4 Zinc Plated	31 pcs	
O	Pin	ø7 x 45 Black Coated	2 pcs	
P	Cotter Pin	ø1.4 x 30 Zinc Plated	2 pcs	
Q	Spacer	Rubber Spacer	2 pcs	

Tools Required for Assembly (Included)	
#2 Phillips Head Screwdriver	1 pcs
M5 - M10 Wrench	2 pcs

Assembly Instructions

1

DO NOT RETURN PRODUCT TO STORE.

For assistance call **1.800.762.1142** toll free. Please have your owner's manual and model number available for reference.

For Easiest Assembly:

- To avoid losing any small components or hardware, assemble your product on a hard level surface that does not have cracks or openings.
- Clear an area large enough to layout all components and hardware.
- When applicable, tighten all hardware connections by hand first. Once the step is completed go back and fully tighten all hardware.
- Follow all steps in order to properly assemble your product.

To complete assembly you will need:

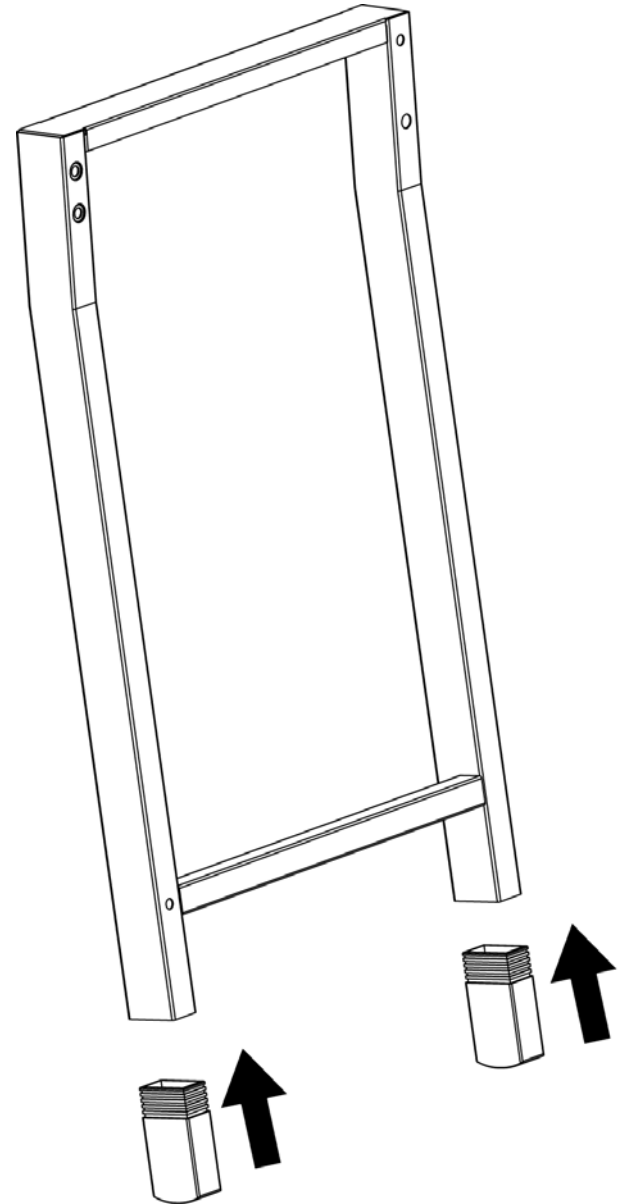
- (1) Bag of charcoal.

Note: You must follow all steps to properly assemble grill.

Typical assembly: approximately 1 (one) hour.

2

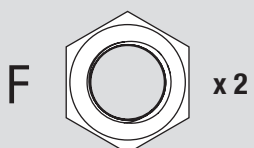
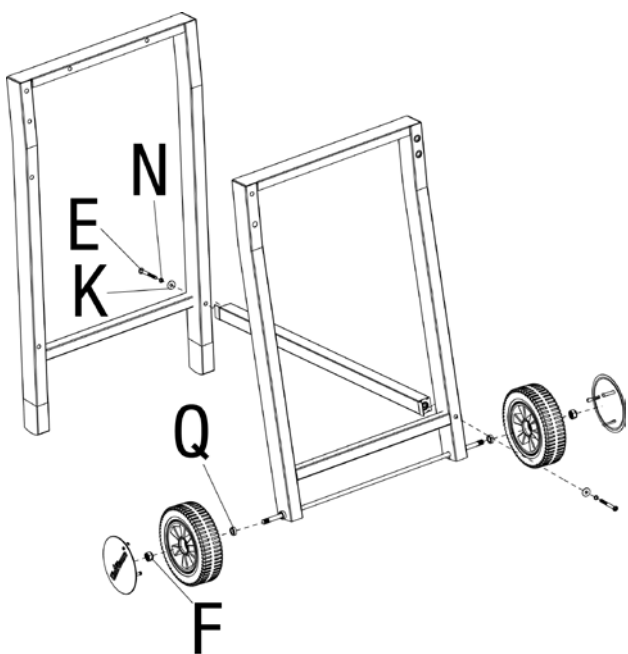
Attach Feet



3

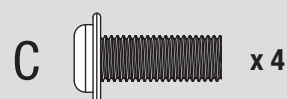
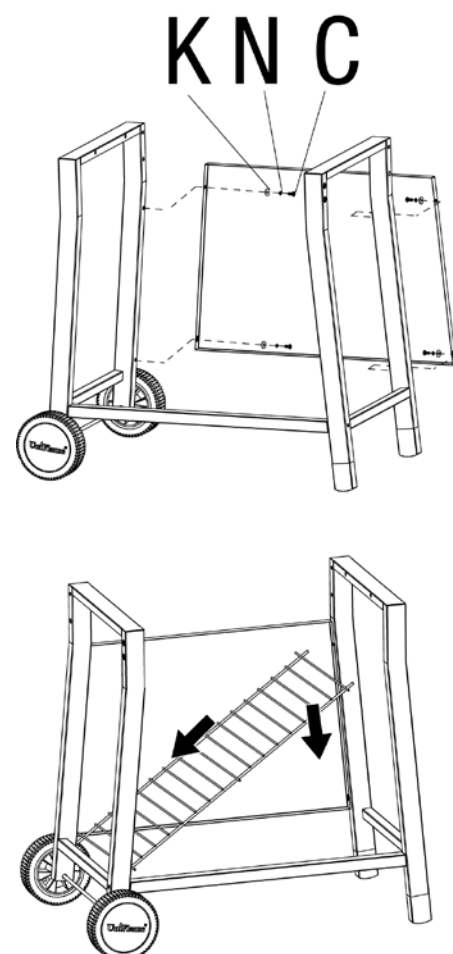
Attach Rear Cart Frame Support, Axle, Wheels and Hub Caps

Note: Use both wrenches to tighten and secure the wheels.



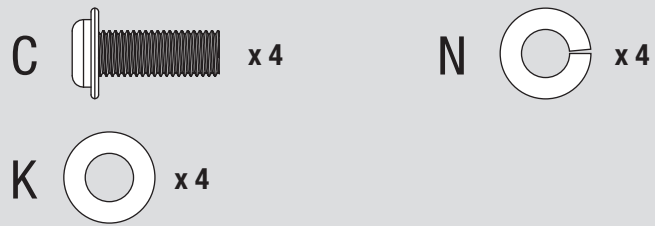
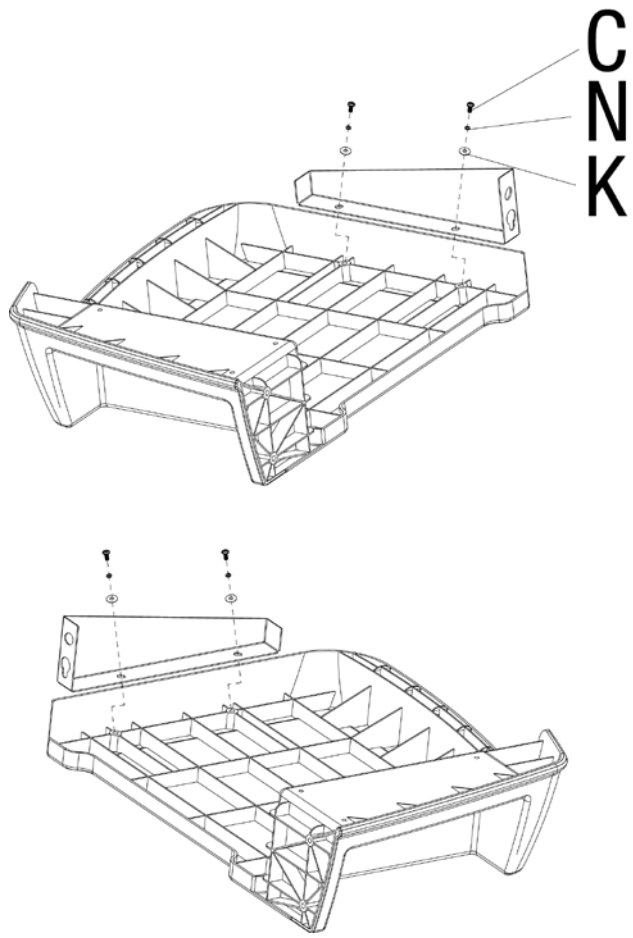
4

Attach Front Panel and Insert Bottom Grid



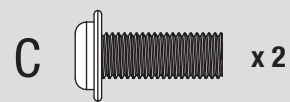
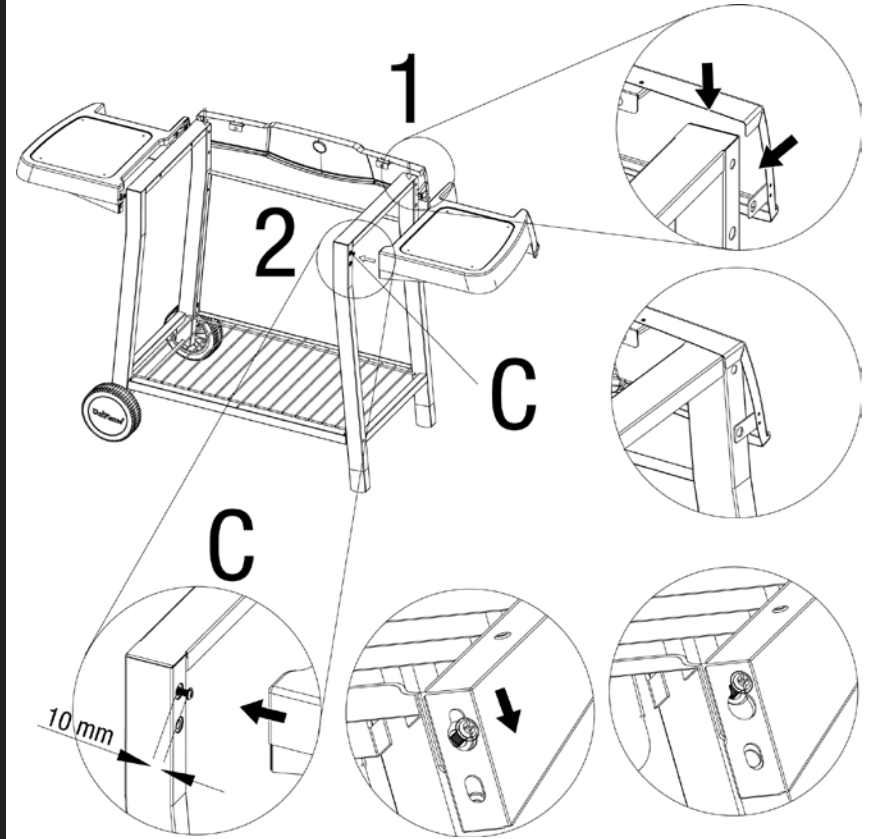
5

Assemble Side Shelves



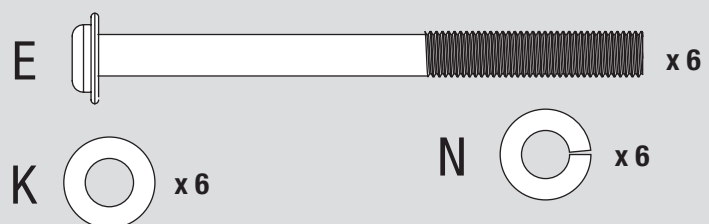
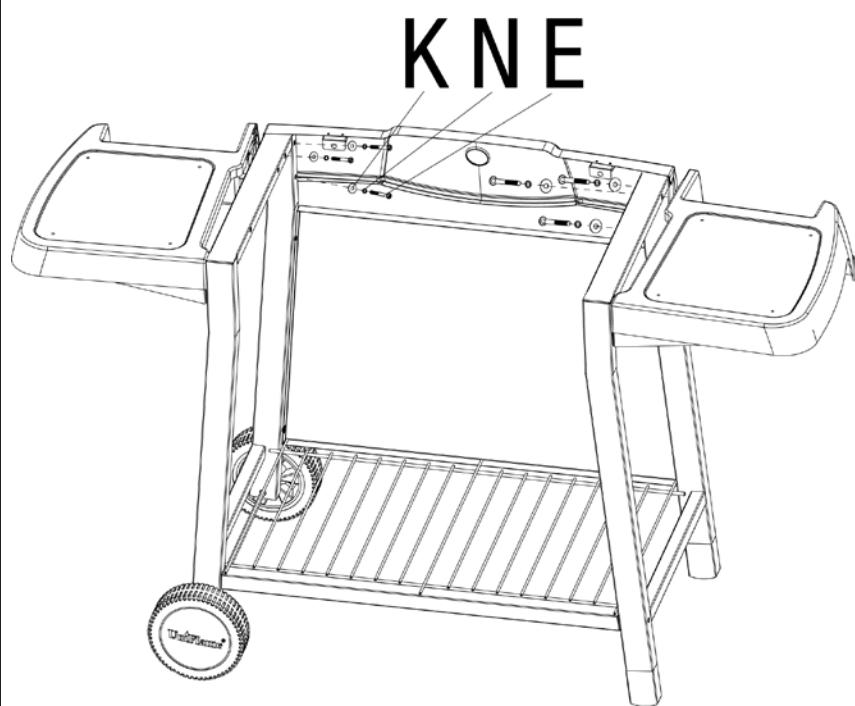
6

Attach Control Panel and Side Shelves



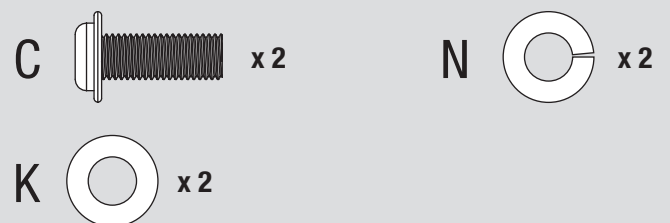
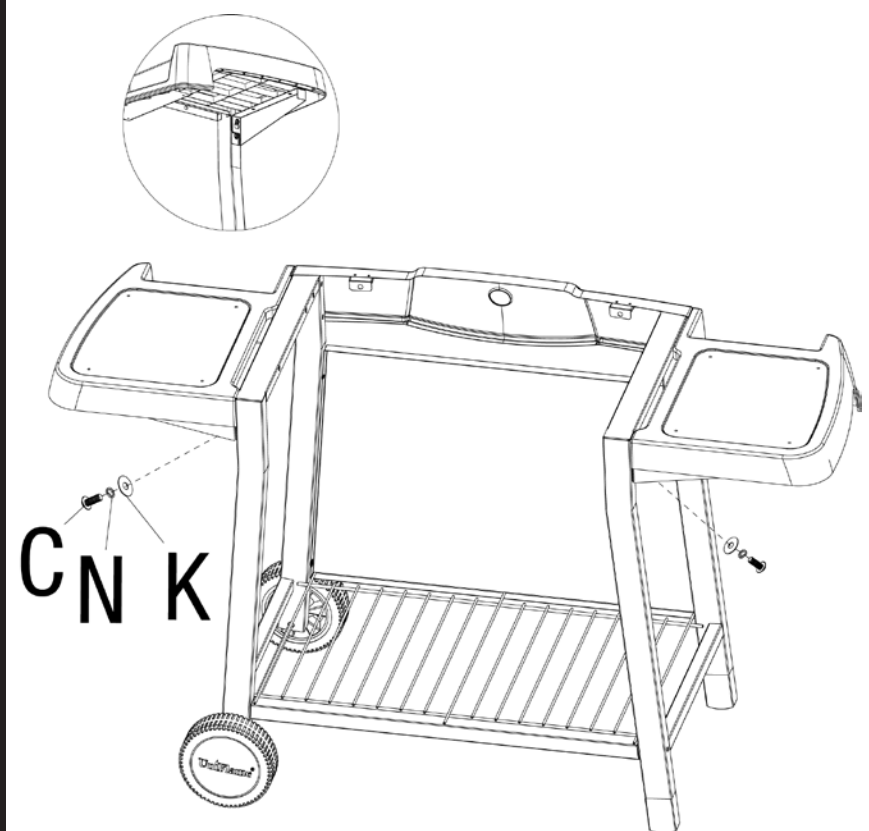
7

Secure Control Panel



8

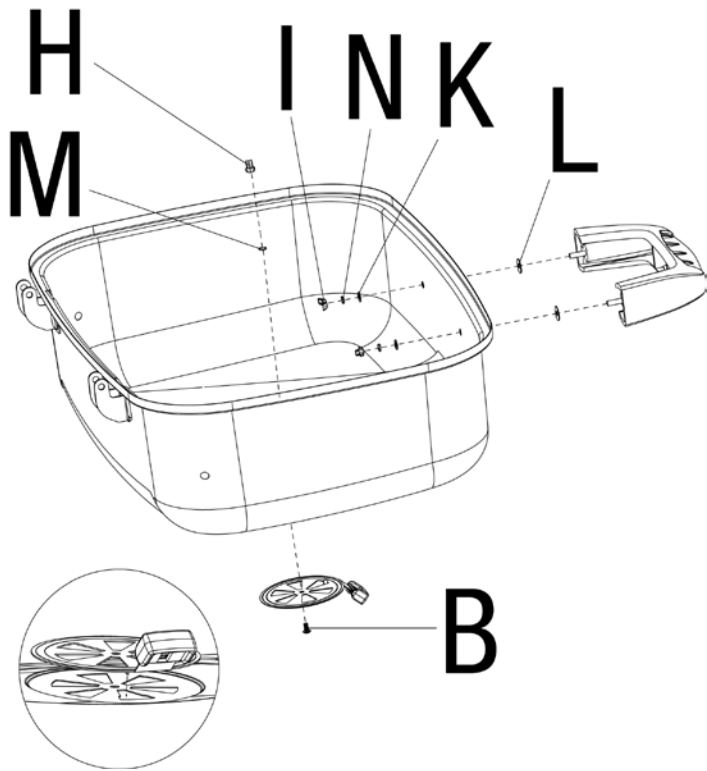
Secure Side Shelves



Assembly Instructions (continued)

9

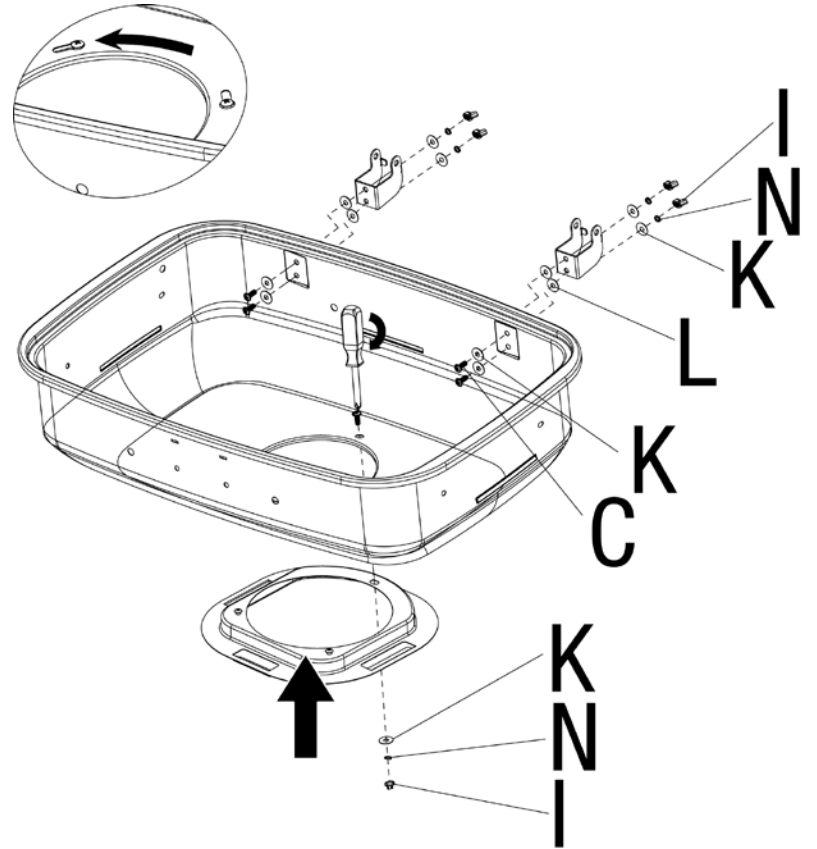
Attach Air Vent Set and Lid Handle



- | | | | |
|---|----|---|----|
| B | x1 | L | x2 |
| H | x1 | M | x1 |
| I | x2 | N | x2 |
| K | x2 | | |

10

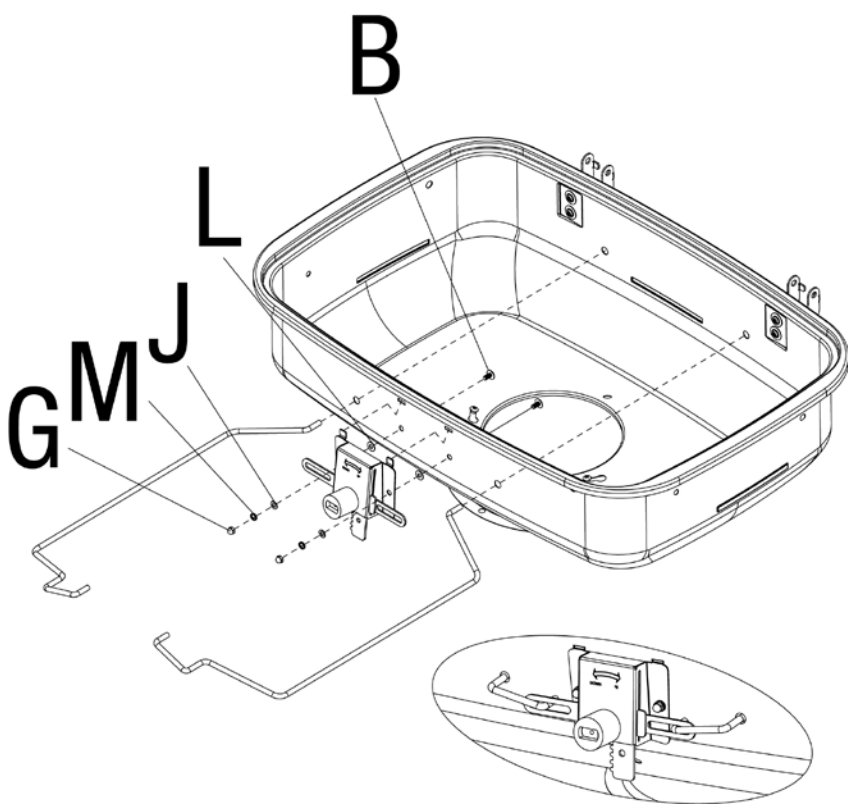
Attach Ash Receiver Slide and Bottom Hinges



- | | | | |
|---|----|---|----|
| C | x5 | L | x4 |
| I | x5 | N | x5 |
| K | x9 | | |

11

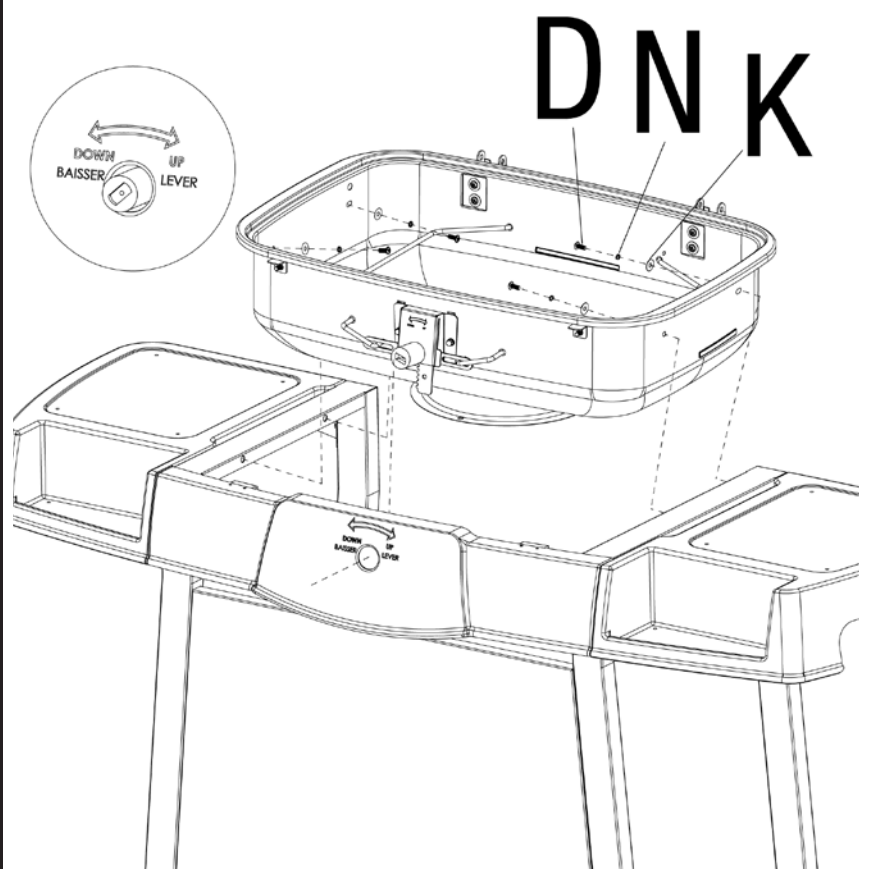
Attach Adjustable Knob Assembly and Charcoal Grid Support Rods



- | | | | |
|---|----|---|----|
| B | x2 | L | x2 |
| G | x2 | M | x2 |
| J | x2 | | |

12

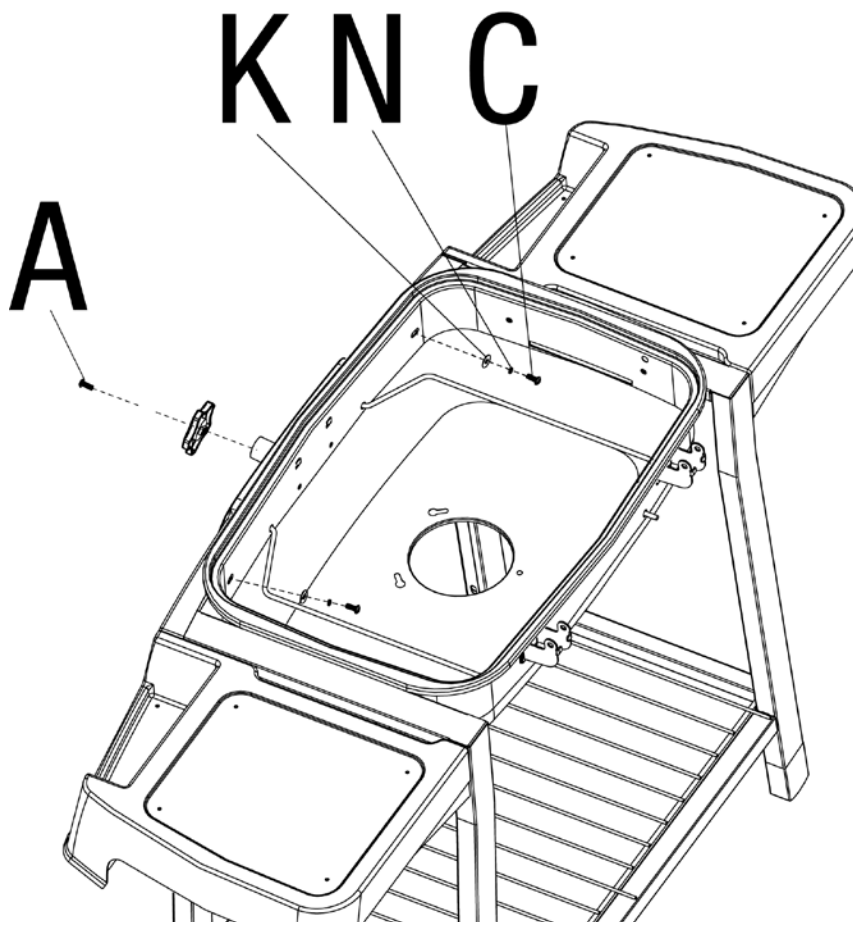
Insert and Secure Bottom Bowl



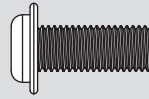



- | | | | |
|---|----|---|----|
| D | x4 | N | x4 |
| K | x4 | | |

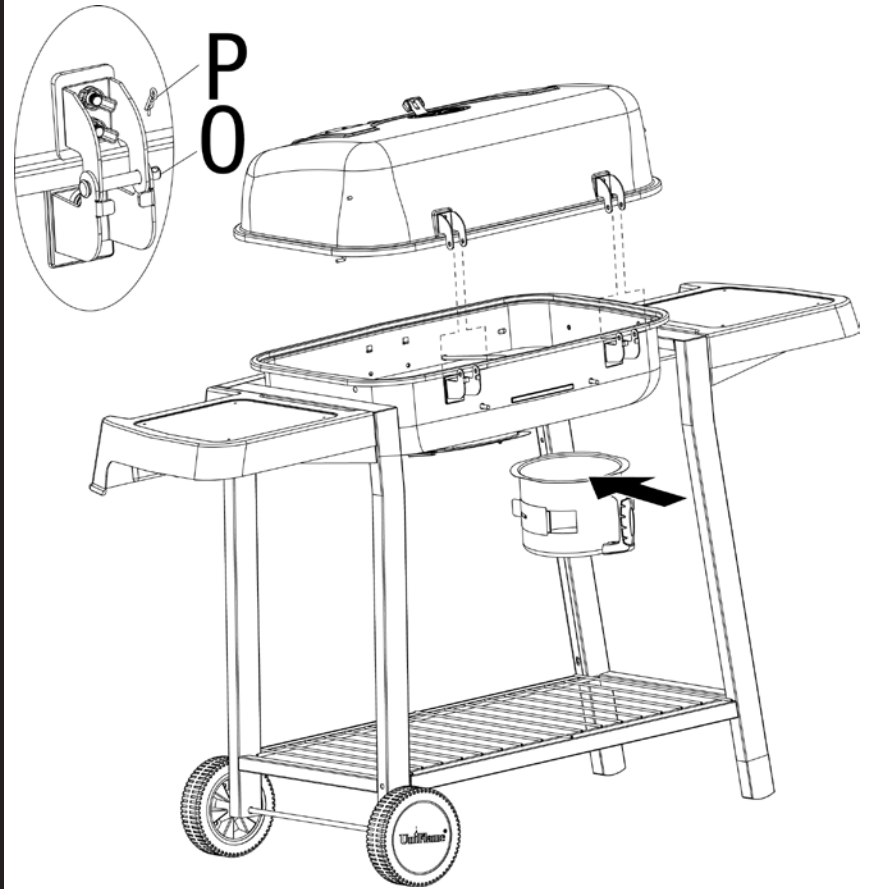
Contact 1.800.762.1142 for assistance. Do not return to place of purchase.


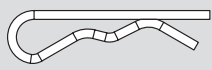
13 Secure Control Panel and Attach Control Knob



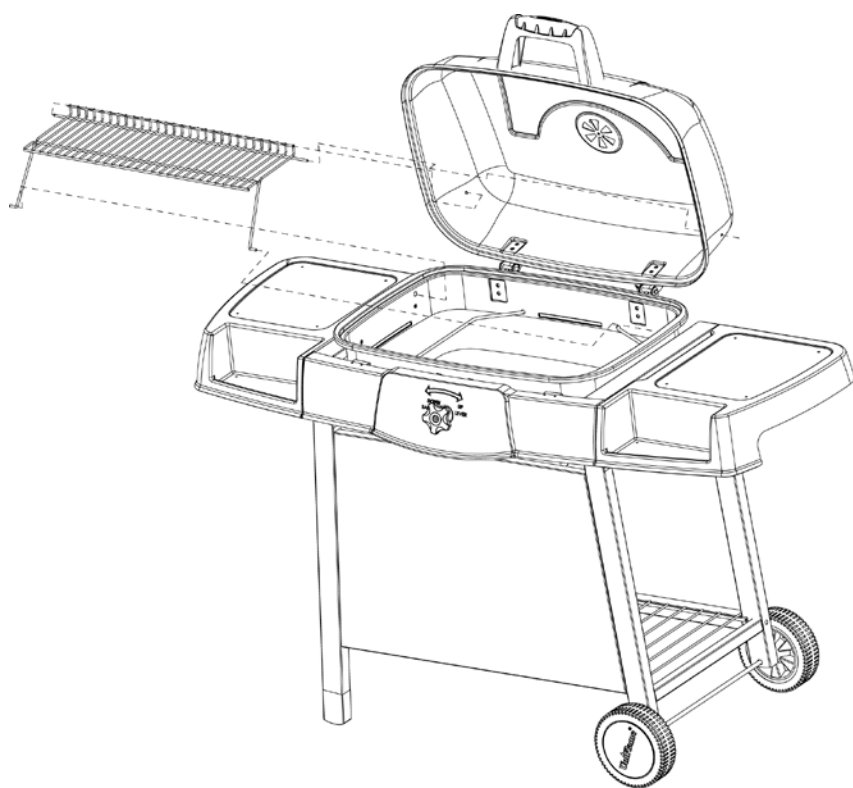
- | | | | |
|---|--|---|--|
| A |  x1 | K |  x2 |
| C |  x2 | N |  x2 |

14 Attach Lid and Insert Ash Receiver

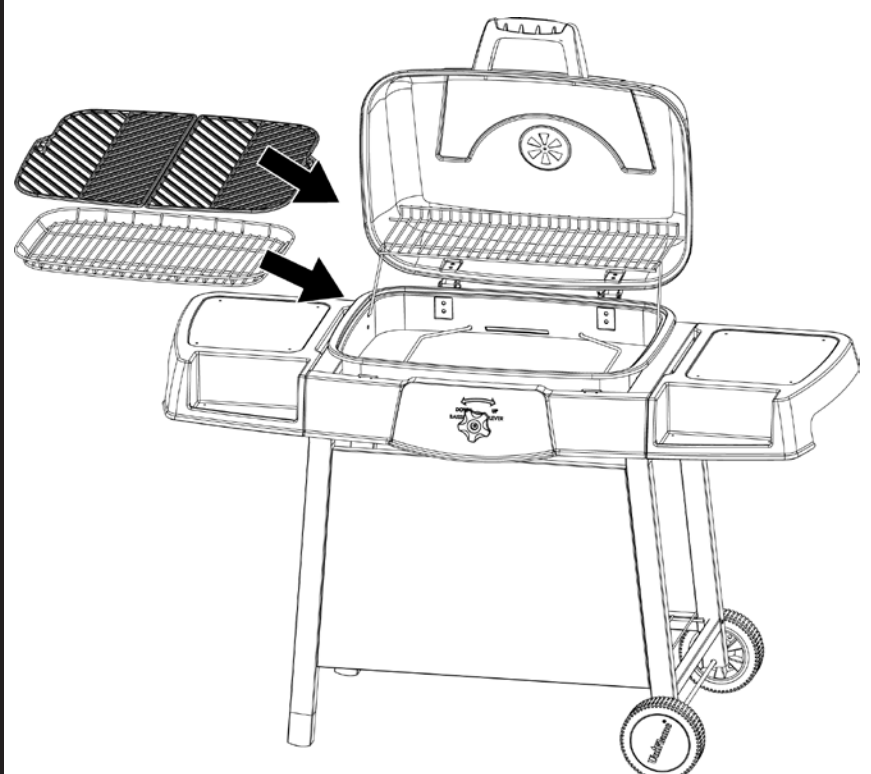


- | | | | |
|---|--|---|--|
| O |  x2 | P |  x2 |
|---|--|---|--|

15 Insert Warming Rack



16 Insert Charcoal Grid and Cooking Grid



Operating Instructions

This appliance is designed for use only with quality charcoal briquets, lump charcoal and cooking wood.

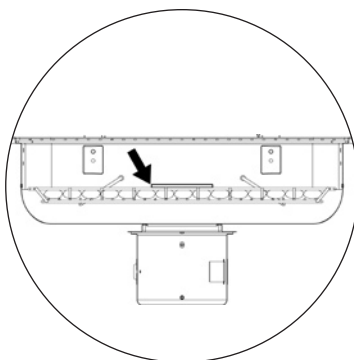
First Use

1. Make sure all labels, packaging and protective films have been removed from the grill.
2. Remove manufacturing oils before cooking on this grill for the first time, by operating the grill for at least 15 minutes with the lid closed. This will "heat clean" the internal parts and dissipate odors.

▲ CAUTION: Instant light charcoal can burn at very high temperatures during initial startup. Make sure lid is open until charcoal turns to hot coals.

Lighting

1. Open lid and vents.
2. Make sure ash receiver is empty and secure.
3. Remove cooking grid.
4. Lower the adjustable charcoal grid to the lowest setting.
5. Arrange charcoal briquettes or other fuel on the charcoal grid to the "Fill Line".
6. Adjust the fuel and light per instructions on fuel package.
7. Allow fuel time to ash into glowing coals before cooking.



Adjustable Charcoal Grid

The patented adjustable charcoal grid allows you to easily adjust the temperature of your grill. To raise the charcoal grid and grill your food at a higher temperature, turn the knob to the right (clockwise).

To lower the charcoal grid and grill your food at a lower temperature, turn the knob to the left (counterclockwise).

Direct Cooking

Cooking directly over hot coals. Ideal for searing in juices and grilling food requiring less than 25 minutes of grilling time, such as steaks, hamburgers, hot dogs, chicken parts, vegetables and fruit.

1. Open lid and remove cooking grid.
2. Load and light charcoal per charcoal manufacturer's instructions. Leave lid open.
3. While wearing protective gloves, carefully spread hot coals evenly across charcoal grid with a long handle tool.
4. While wearing protective gloves replace cooking grid, close lid and allow grill to preheat.
5. While wearing protective gloves open lid and place food onto cooking grids above the hot coals with long handle tongs.
6. With lid open or closed, cook until desired internal food temperatures are achieved.

Note: If additional briquettes are needed, remove food from cooking grid and while wearing protective gloves remove the cooking grid and place additional briquettes without disturbing the hot coals. Carefully replace cooking grid and food.

7. Allow charcoal to burn out by closing lid and all vents. Except in the case of an emergency, do NOT pour water on hot coals.

Indirect Cooking

Not cooking directly over hot coals. Ideal for slow cooking and grilling foods requiring more than 25 minutes such as most roasts, loins, chops, whole chickens, turkey, fish and baked goods.

1. Open lid and remove cooking grid.
2. Load and light charcoal per charcoal manufacturer's instructions. Leave lid open.
3. While wearing protective gloves, carefully spread hot coals to the outsides of charcoal grid with a long handle tool.
4. While wearing protective gloves replace cooking grid, close lid and allow grill to preheat.
5. Wear protective gloves to open lid. Use long handled tools to place food onto cooking grids above the areas without hot coals.
6. With lid closed, cook until desired internal food temperatures are achieved.

Note: If additional briquettes are needed, remove food from cooking grid and while wearing protective gloves remove the cooking grid and place additional briquettes without disturbing the hot coals. Carefully replace cooking grid and food.

7. Allow charcoal to burn out by closing lid and all vents. Except in the case of an emergency, do NOT pour water on hot coals.

For more tips on indirect cooking please see "Tips for Better Cookouts and Longer Grill Life"

Tips for Better Cookouts and Longer Grill Life

1. To reduce flare-up keep grill clean, use lean cuts of meat (or trim fat) and avoid cooking on very high temperatures.
2. Place delicate foods like fish and vegetables in aluminum foil pouches and indirect cook or place on upper cooking levels (warming rack).
3. To avoid losing natural juices, use long handled tongs or spatulas instead of forks and turn foods over just once during cooking.
4. When in-direct cooking roasts and larger cuts of meat, place meat onto a roasting rack inside a heavy gauge metal pan. Place pan over the un-lit coals.

5. Try water pans to reduce flare-ups and cook juicer meats. Before starting coals remove cooking grids and place a heavy duty shallow pan directly on charcoal grid. Fill half way with water, fruit juices or other flavored liquids. Place hot coals around grid, replace cooking grids and position food over the loaded pan.
6. Enhance food flavors by using wood chips in smoker boxes or aluminum foil pouches. Follow the wood manufacturer's instructions.
7. Rotisseries, grill baskets, vertical poultry holders and other accessories can enhance your experiences, reduce cooking times and aid in clean-up.
8. Clean cooking grids and racks after every use with a quality grill brush designed for your grid material. Wear protective gloves and gently remove the build-up while grids are hot.
9. After every use, allow grill to cool. Then protect clean cooking grids with a light coat of cooking oil, clean out all ashes, wipe outside surfaces with a suitable kitchen cleaner and protect surfaces with a quality cover that is properly fits your grill.
10. Visit websites like www.bluerhino.com, watch barbecue themed TV shows or purchase related barbecue cookbooks to learn more interesting tips.

Cleaning and Care

▲ CAUTION: All cleaning and maintenance should be done when grill is cool and with the fuel supply removed.

▲ CAUTION: DO NOT clean any grill part in a self cleaning oven. The extreme heat will damage the finish.

Notices

1. Abrasive cleaners will damage this product.
2. Never use oven cleaner to clean any part of grill.
3. Do not clean any grill part in a self cleaning oven. The extreme heat will damage the finish.

Cleaning Surfaces

1. Wipe surfaces clean with mild dishwashing detergent or baking soda.
2. For stubborn surfaces use a citrus based degreaser and a nylon scrubbing brush.
3. Rinse clean with water.

Product Registration

For faster warranty service, please register your product immediately at www.bluerhino.com or call 1.800.762.1142.

Limited Warranty

Blue Rhino Global Sourcing, Inc ("Vendor") warrants to the original retail purchaser of this product, and to no other person, that if this product is assembled and operated in accordance with the printed instructions accompanying it, then for a period of one (1) year from the date of purchase, all parts in such product shall be free from defects in material and workmanship. Vendor may require reasonable proof of your date of purchase. Therefore, you should retain your sales slip or invoice. This Limited Warranty shall be limited to the repair or replacement of parts, which prove defective under normal use and service and which Vendor shall determine in its reasonable discretion upon examination to be defective. Before returning any parts, you should contact Vendor's Customer Service Department using the contact information listed below. If Vendor confirms, after examination, a defect covered by this Limited Warranty in any returned part, and if Vendor approves the claim, Vendor will replace such defective part without charge. If you return defective parts, transportation charges must be prepaid by you. Vendor will return replacement parts to the original retail purchaser, freight or postage prepaid.

This Limited Warranty does not cover any failures or operating difficulties due to accident, abuse, misuse, alteration, misapplication, improper installation or improper maintenance or service by you or any third party, or failure to perform normal and routine maintenance on the product as set out in this owner's manual. In addition, the Limited Warranty does not cover damage to the finish, such as scratches, dents, discoloration, rust or other weather damage, after purchase.

This Limited Warranty is in lieu of all other express warranties. Vendor disclaims all warranties for products that are purchased from sellers other than authorized retailers or distributors, including the warranty of merchantability or the warranty of fitness for a particular purpose. VENDOR ALSO DISCLAIMS AND ANY ALL IMPLIED WARRANTIES, INCLUDING WITHOUT LIMITATION THE IMPLIED WARRANTIES OF MERCHANTABILITY AND FITNESS FOR A PARTICULAR PURPOSE. VENDOR SHALL NO LIABILITY TO PURCHASER OR ANY THIRD PARTY FOR ANY SPECIAL, INDIRECT, PUNITIVE, INCIDENTAL, OR CONSEQUENTIAL DAMAGES. Vendor further disclaims any implied or express warranty of, and assumes no responsibility for, defects in workmanship caused by third parties.

This Limited Warranty gives the purchaser specific legal rights; a purchaser may have other rights depending upon where he or she lives. Some jurisdictions do not allow the exclusion or limitation of special, incidental or consequential damages, or limitations on how long a warranty lasts, so the above exclusion and limitations may not apply to everyone.

Vendor does not authorize any person or company to assume for it any other obligation or liability in connection with the sale, installation, use, removal, return, or replacement of its equipment, and no such representations are binding on Vendor.

Blue Rhino Global Sourcing, Inc
Winston-Salem, North Carolina USA
(800) 762-1142

Contact 1.800.762.1142 for assistance. Do not return to place of purchase.





Enregistrement de l'appareil

Pour bénéficier plus rapidement du service offert par la garantie, veuillez enregistrer cet article immédiatement sur le site internet www.bluerhino.com ou appelez le 1.800.762.1142.

Garantie limitée

La société Blue Rhino Global Sourcing, Inc ("le fabricant") garantit cet article au premier acheteur au détail et à aucune autre personne, contre tout vice de matériau et de fabrication pendant un (1) an à partir de la date d'achat si cet article est monté et utilisé conformément aux instructions fournies. Le fabricant vous demandera sans doute une preuve raisonnable d'achat datée, veuillez donc conserver votre facture ou votre reçu. Cette garantie limitée se limitera à la réparation ou au remplacement de pièces ayant été déterminées défectueuses par le fabricant lors de conditions d'utilisation et d'entretien normales. Avant de renvoyer une pièce, contactez le service à la clientèle du fabricant (Customer Service Department). Si le fabricant confirme le défaut de fabrication et approuve la réclamation, ce dernier remplacera gratuitement les dites pièces. Si vous devez renvoyer des pièces défectueuses, les pièces devront être expédiées port-payé. Le fabricant s'engage à renvoyer les pièces à l'acheteur port-payé.

Cette garantie limitée ne couvre pas les pannes et dysfonctionnements survenant suite à tout accident, mauvais usage, entretien incorrect de cet article, ou toute modification, mauvaise installation ou négligence comme il a été établi dans ce manuel. De plus, cette garantie limitée ne couvre pas les dommages au fini, à savoir les rayures, les bosses, les traces de décoloration, de rouille ou les dommages résultant des intempéries après achat de l'article. Cette garantie remplace toute autre garantie existante et il n'existe aucune autre garantie expressée à l'exception de la couverture indiquée ici. Le fabricant désavoue toute garantie couvrant des produits ayant été achetés auprès de revendeurs autres que les revendeurs et distributeurs agréés y compris toute garantie de commercialisabilité et d'adaptation à un usage particulier. LE FABRICANT DÉCLINE ÉGALEMENT TOUTE GARANTIE IMPLICITE Y COMPRIS FABRICANT NE POURRA ÊTRE TENU RESPONSABLE PAR L'ACHETEUR OU UN TIERS POUR TOUTS DÉGÂTS ET DOMMAGES PARTICULIERS, INDIRECTS, PUNITIFS OU CONSÉCUTIFS. De plus, le fabricant désavoue toute garantie expresse ou implicite et décline toute responsabilité en cas de défaut de fabrication causés par un tiers.

Cette garantie limitée octroie des droits spécifiques à l'acheteur reconnus par la loi et il est possible que ce dernier en possède d'autres selon sa localité. Certaines juridictions ne permettent pas l'exclusion ni la limitation de dommages consécutifs ou accessoires ni la limitation en temps d'une garantie et ces limitations peuvent ne pas être applicables à tous. Le fabricant ne permet en aucun cas à une personne ou à une société de s'attribuer les responsabilités et les obligations liées à la vente, l'installation, l'utilisation, la dépose ou le remplacement de cet article, et aucune de ces représentations n'engage la responsabilité du fabricant.

Blue Rhino Sourcing, Inc
Winston-Salem, North Carolina 27104, États-Unis
(800)-762-1142

Fonctionnement

Cet appareil a été conçu afin d'être utilisé uniquement avec des briquettes de charbon de bois de qualité, du charbon de bois en blocs et du bois.

Utiliser le barbecue pour la première fois

1. Assurez-vous d'avoir retiré toutes les étiquettes ainsi que tout le matériau d'emballage et le film protecteur du barbecue.

2. Avant de cuire quoi que ce soit sur le barbecue pour la première fois, faites fonctionner le barbecue pendant environ 15 minutes avec le couvercle fermé. La chaleur

« nettoiera » les pièces internes et dissipera les odeurs.

▲ ATTENTION : Le charbon de bois à allumage instantané peut brûler à une température très élevée lorsqu'on l'allume pour la première fois. S'assurer que le couvercle demeure ouvert jusqu'à ce que le charbon de bois se transforme en charbon chaud.

Allumage

1. Ouvrez le couvercle et les volets d'aération.

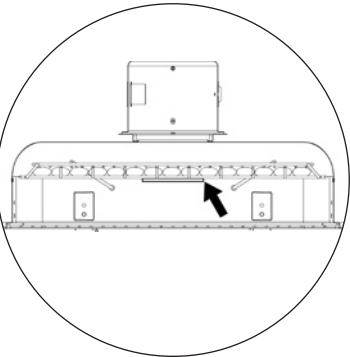
3. Retirez la grille de cuisson.

4. Abaissez la grille à charbon de bois au réglage le plus bas.

5. Disposez les briquettes de charbon de bois ou le combustible sur la grille jusqu'au repère "Fill Line" (ligne de remplissage).

6. Placez et allumez le combustible en suivant les instructions figurant sur le sac d'emballage.

7. Laissez le combustible se transformer en charbon chaud recouvert de cendres avant la cuisson.



Grille réglable pour charbon de bois

La grille réglable brevetée pour charbon de bois vous permet de facilement régler la

température du barbecue.

Pour lever la grille à charbon de bois et cuire vos aliments à une température plus élevée,

tournez le bouton vers la droite (dans le sens des aiguilles d'une montre).

Pour baisser la grille à charbon de bois et cuire vos aliments à une température moins élevée,

tournez le bouton vers la gauche (dans le sens inverse à celui des aiguilles d'une montre).

Pour une cuisson directe

Laissez cuire les aliments directement sur les morceaux de charbons chauds. Cette cuisson

est idéale afin de piéger le jus à l'intérieur des aliments et pour les aliments tels que les

steaks, les hot-dogs, le poulet, les légumes et les fruits dont la cuisson prendra moins de 25

minutes.

1. Ouvrez le couvercle et retirez la grille de cuisson.

2. Chargez le charbon de bois et allumez-le en suivant les instructions du fabricant. Laissez le

couvercle ouvert.

3. Portez des gants de protection et utilisez un outil à long manche pour disposer les

morceaux de charbon de bois chauds sur la grille à charbon de bois.

4. Portez des gants de protection et remettez en place la grille de cuisson, fermez le

couvercle et laissez préchauffer le barbecue.

5. Portez des gants de protection et utilisez un outil à long manche pour disposer les aliments

sur les grilles de cuisson, au-dessus des morceaux de charbon.

6. Avec le couvercle ouvert ou fermé, laissez la nourriture cuire jusqu'à ce que la température

interne désirée des aliments soit atteinte.

Remarque: Si vous avez besoin d'ajouter des briquettes de charbon de bois supplémentaires,

retirez les aliments de la grille de cuisson, enfillez des gants de protection, retirez la grille de

cuisson et placez des briquettes supplémentaires sans déranger les morceaux de charbons

chauds. Replacez la grille de cuisson et les aliments en faisant preuve de précaution.

7. Laissez le charbon de bois se consumer en fermant le couvercle et tous les volets

d'aération. Saut en cas de danger, NE PAS verser d'eau sur les morceaux de charbon

chauds.

Pour une cuisson indirecte

Cette cuisson consiste à ne pas cuire les aliments directement sur les morceaux de charbon

chauds. Cette cuisson est idéale pour toute cuisson lente et pour les aliments dont la cuisson

prend plus de 25 minutes comme les rôtis, les filets, les côtelettes ainsi que les poulets,

dinde, et poissons entiers et les articles de boulangerie.

1. Ouvrez le couvercle et retirez la grille de cuisson.

2. Chargez les briquettes de charbon de bois et allumez-les en suivant les instructions du

fabricant. Laissez le couvercle ouvert.

3. Portez des gants de protection et utilisez un outil à long manche pour disposer les

morceaux de charbon de bois chauds sur la grille à charbon de bois.

4. Portez des gants de protection et remettez en place la grille de cuisson, fermez le

couvercle et laissez barbecue chauffer avant de l'utiliser.

5. Portez des gants de protection et ouvrez le couvercle. Utilisez un outil à long manche pour

disposer les aliments sur les grilles de cuisson, au-dessus des espaces de cuisson ne

contenant pas de morceaux de charbon de bois chauds.

6. Avec le couvercle fermé, laissez la nourriture cuire jusqu'à ce que la température interne

désirée des aliments soit atteinte.

Nettoyage et entretien

▲ ATTENTION: Tout nettoyage ou entretien doit être effectué lorsque le

barbecue est froid.

▲ ATTENTION: NE placez aucune pièce du barbecue dans un four

autonettoyant. La chaleur extrême endommagera le fini du barbecue.

Avis

1. N'utilisez pas de produits de nettoyage abrasifs car ils risquent d'endommager le

barbecue.

2. N'utilisez jamais de produit à nettoyer les fours sur une pièce quelle qu'elle soit du

barbecue.

3. NE placez aucune pièce du barbecue dans un four autonettoyant. La chaleur extrême

endommagera le fini du barbecue.

Nettoyage des surfaces du barbecue

1. Essuyez les surfaces du barbecue avec un liquide à vaisselle doux ou du bicarbonate

de soude.

2. Pour les tâches coriaces, utilisez un dégraisant au citron et une brosse de nettoyage

en nylon.

3. Rincez à l'eau.

10. Consultez les sites internet tels que www.diuerhino.com, regardez les programmes télévisés consacrés à la cuisson au barbecue ou achetez des livres de cuisine sur le même thème pour des conseils utiles supplémentaires.

suffisamment grande pour ce type de barbecue.

et protégez ces surfaces en recouvrant le barbecue avec une housse de bonne qualité

les surfaces extérieures du barbecue en utilisant un produit de nettoyage de cuisine adéquat

propres en les enduisant d'une fine couche d'huile de cuisine, videz le cendrier, essuyez

9. Après chaque utilisation, laissez le barbecue refroidir. Ensuite, protégez les grilles de cuisson

qu'elles sont encore chaudes.

des gants de protection et retirez doucement les résidus demeurés sur les grilles pendant

8. Nettoyez les grilles de cuisson et les autres grilles après chaque utilisation en utilisant une

brosse de barbecue de bonne qualité conçue pour le type de matériau de votre grille. Portez

7. Les tournebroches, les papiers à grill, les broches verticales à volailles et autres accessoires

peuvent améliorer la cuisson, réduire le temps de cuisson et faciliter le nettoyage.

6. Réhaussez le goût des aliments en les plaçant dans des pochettes d'aluminium ou dans des

grilles de cuisson et placez les aliments au-dessus du bac rempli d'eau.

5. Remplissez-le à moitié d'eau, de jus de fruits ou de tout autre liquide aromatisé.

Disposez les morceaux de charbon de bois chauds autour de la grille, remettez en place les

grilles de cuisson et placez un bac d'eau robuste et peu profond directement sur la grille à charbon

graisse et cuire les viandes très juteuses. Avant d'allumer le barbecue, retirez les grilles de

5. Faites un essai en utilisant des bacs métalliques remplis d'eau afin de réduire les feux de

briquettes qui ne sont pas allumées.

4. Lors d'une cuisson indirecte pour les rôtis et les grosses tranches de viande, placez la viande

sur une grille de cuisson à l'intérieur d'un bac métallique robuste. Placez le bac sur les

3. Pour éviter que les aliments ne perdent leur jus, utilisez des pinces de cuisine ou des

spatules au lieu de fourchettes et retournez les aliments une seule fois pendant la cuisson.

2. Placez les aliments délicats tels que le poisson et les légumes dans du papier d'aluminium et

placez-les sur la grille de cuisson supérieure (grille de réchauffage).

1. Pour réduire les feux de graisse, veillez à ce que le barbecue demeure propre, utilisez de la

viande mince (découpez le gras) et évitez de cuire à de très hautes températures.

La pérennité du barbecue

Quelques conseils pour de meilleures grillades et afin d'assurer

Pour plus de conseils sur la cuisson indirecte, veuillez vous reporter au chapitre « Quelques conseils pour de meilleures grillades et afin d'assurer la pérennité du barbecue ».

chauds.

Saut en cas de danger immédiat, NE PAS verser d'eau sur les morceaux de charbon de bois

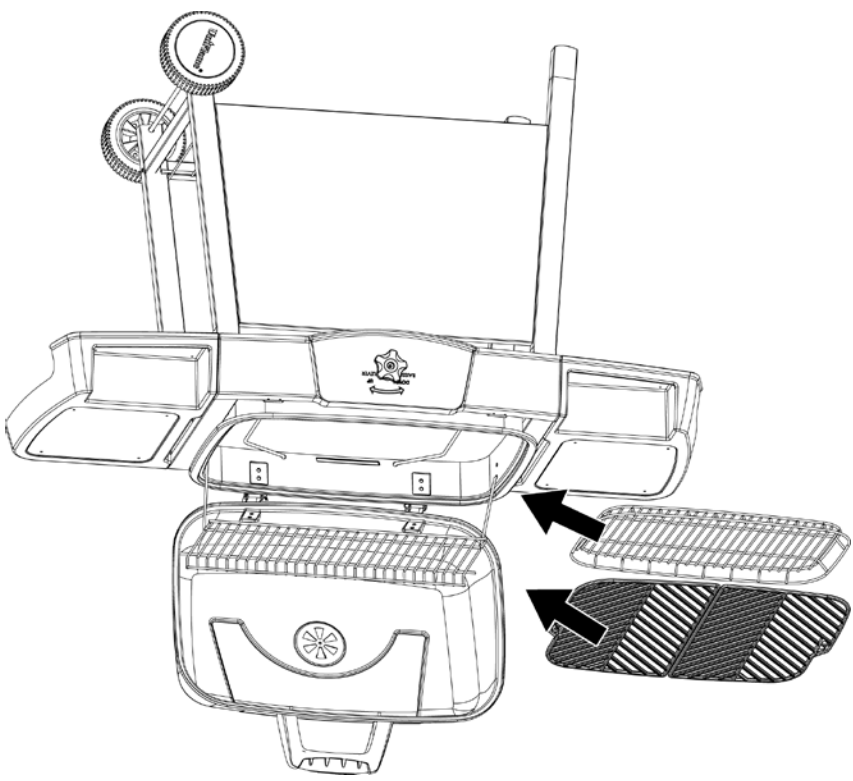
7. Laissez le charbon de bois se consumer en fermant le couvercle et tous les volets d'aération.

bois chauds. Replacez la grille de cuisson et les aliments en faisant preuve de précaution

cuisson et placez des briquettes supplémentaires sans déranger les morceaux de charbon de

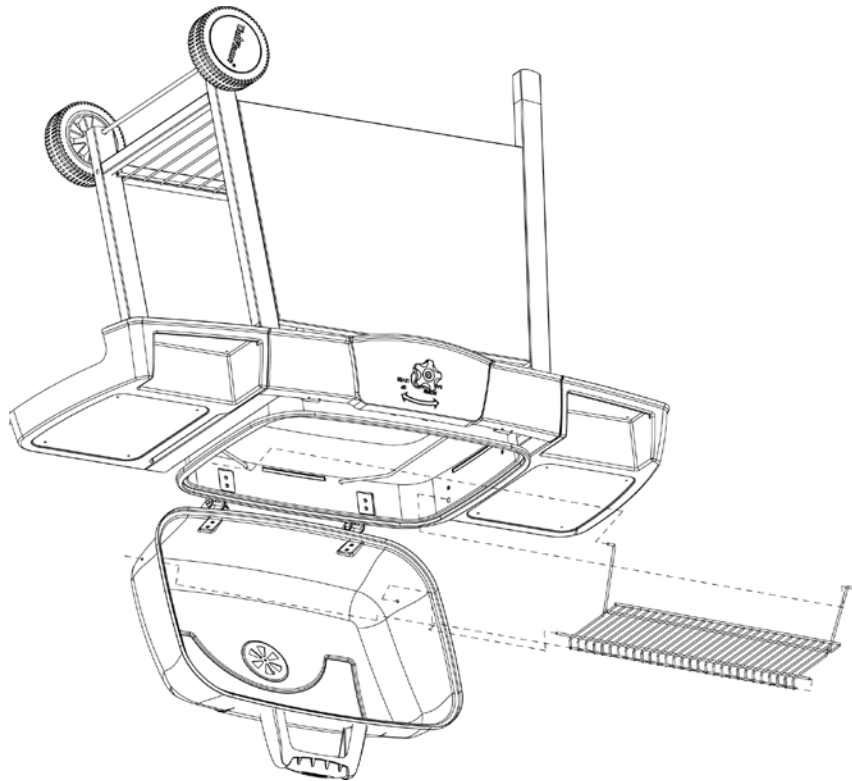
retirez les aliments de la grille de cuisson, enfillez des gants de protection, retirez la grille de

Remarque: Si vous avez besoin d'ajouter des briquettes de charbon de bois supplémentaires,



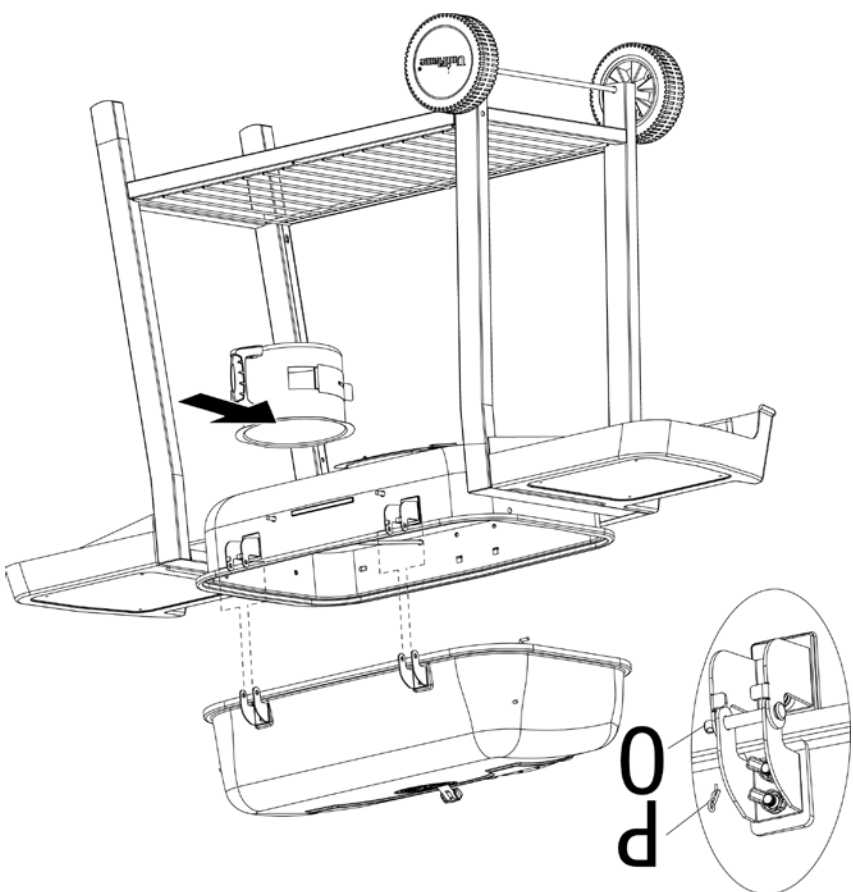
Placez la grille à charbon de bois et la grille de cuisson

16



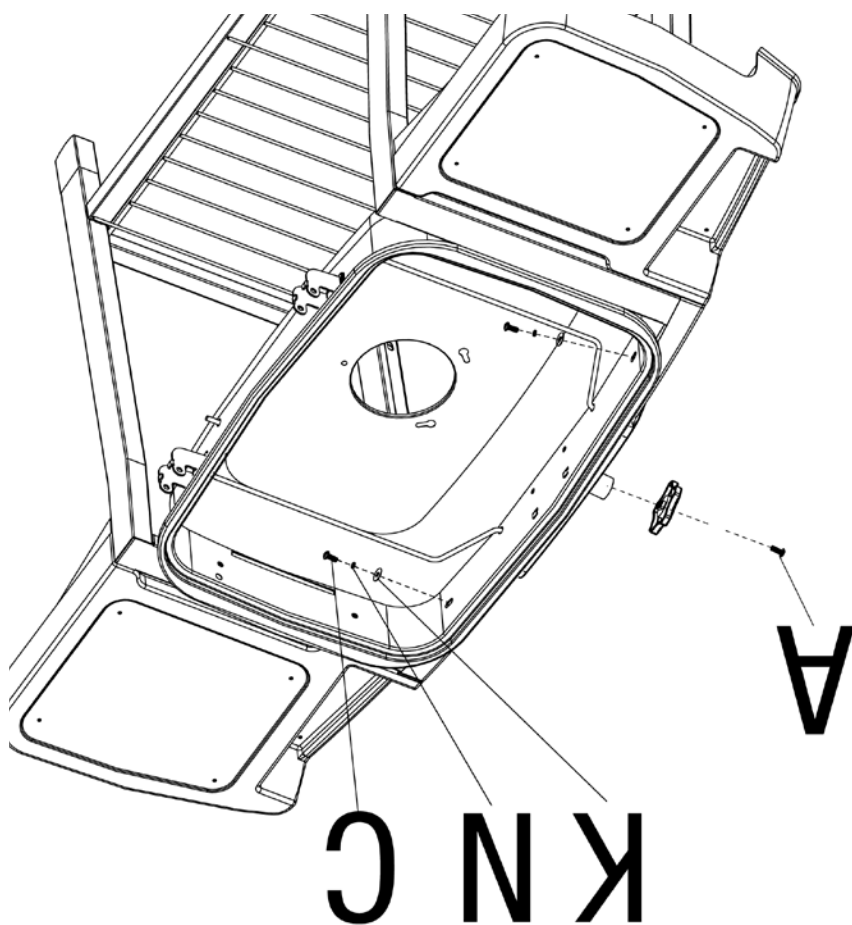
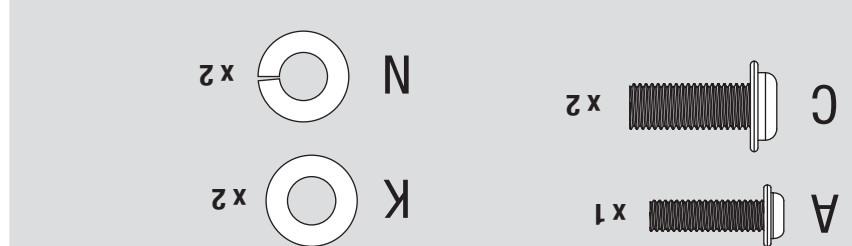
Placez la grille de réchauffage

15



Fixez le couvercle et insérez le cendrier

14



Fixez le panneau de commande et le bouton de réglage

13



9

Fixez le volet d'aération et la poignée du couvercle

B x1
 I x2
 H x1
 K x2
 L x2
 M x1
 N x2

10

Fixez la glissière du cendrier et les charnières intérieures

C x5
 I x5
 K x9
 L x4
 N x5

11

Fixez le mécanisme du bouton de réglage et les tiges de supports de la grille à charbon de bois

B x2
 G x2
 J x2
 L x2
 M x2

12

Insérez et fixez la cuve du barbecue

D x4
 K x4
 N x4

5

Assemblez les tablettes latérales

C x 4
N x 4
K x 4

K
N
C

6

Fixez le panneau de commande et les tablettes latérales

C x 2

10 mm

C

1
2

7

Fixez Panneau de commande

E x 6
N x 6
K x 6

K
N
E

8

Vissez les tablettes latérales

C x 2
N x 2
K x 2

K
N
C

NE PAS RETOURNER AU MAGASIN AVEC CET ARTICLE.

Pour toute assistance technique, appelez le numéro sans frais **1.800.762.1142**. Faites en sorte que votre manuel d'utilisation et le numéro du modèle soient à portée de main afin de pouvoir vous y référer.

Pour faciliter l'assemblage:

- Pour éviter de perdre des petites pièces ou la quincaillerie d'installation, assemblez cet article sur une surface dure et plane qui ne comporte pas de trous ni de fissures.
- Prévoyez une surface de travail suffisamment grande afin d'étaler toutes les pièces et la quincaillerie d'installation.
- Lorsque nécessaire, serrez toute les fixations et la visserie en premier, puis une fois l'étape terminée, serrez-les complètement.
- Suivez toutes les étapes dans l'ordre afin d'assembler correctement cet article.

Pour effectuer l'assemblage, vous aurez besoin des choses suivantes:

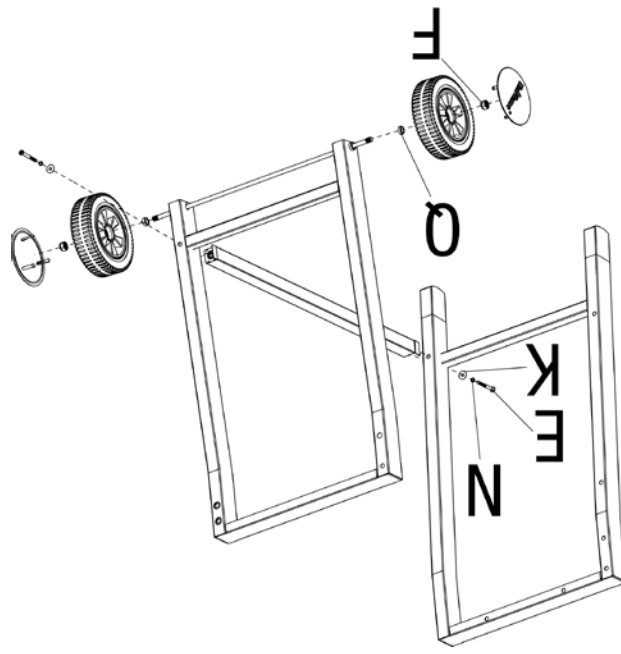
- (1) sac de charbon de bois

Remarque: Veuillez suivre toutes les étapes dans l'ordre afin d'assembler correctement le barbecue.

Temps d'assemblage: environ une (1) heure.

1

Fixez la barre de support arrière du cadre du chariot, l'essieu, les roues et les enjoliveurs



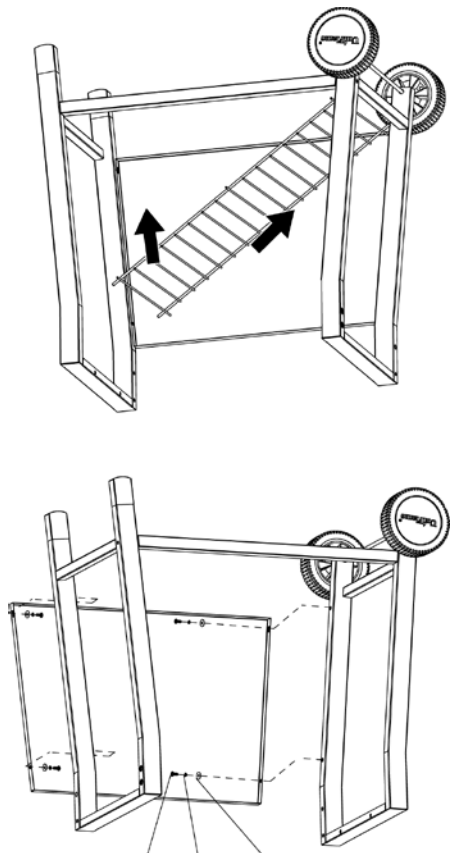
Remarque: Utilisez les deux clés pour serrer et fixer les roues.

3

4

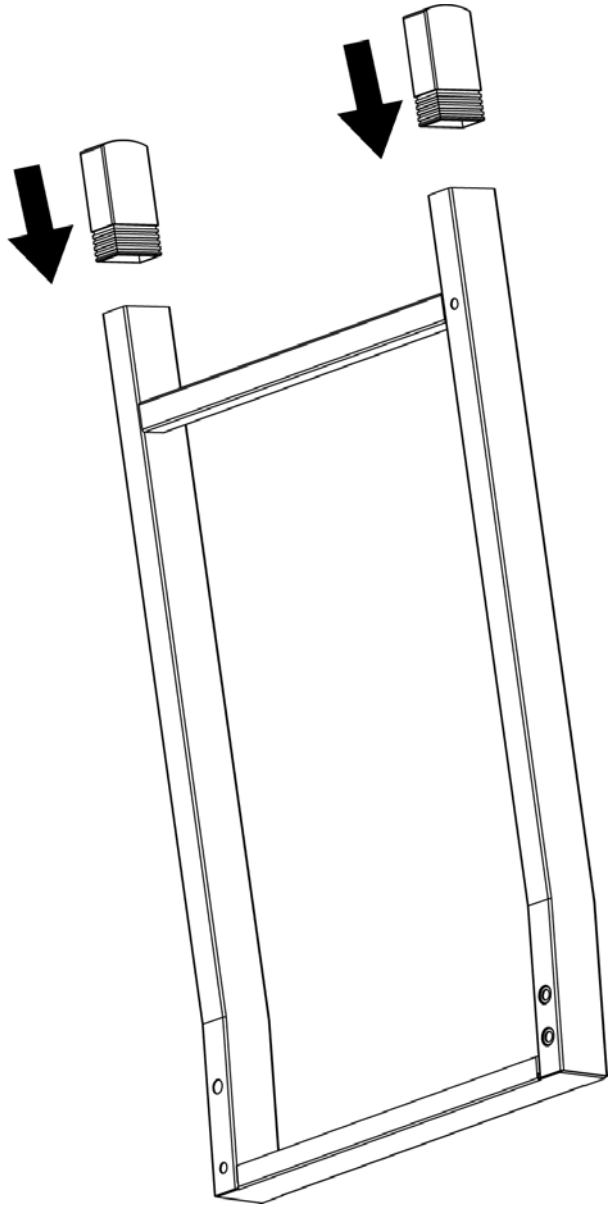
Fixez le panneau avant et placez la grille inférieure

K N C



2

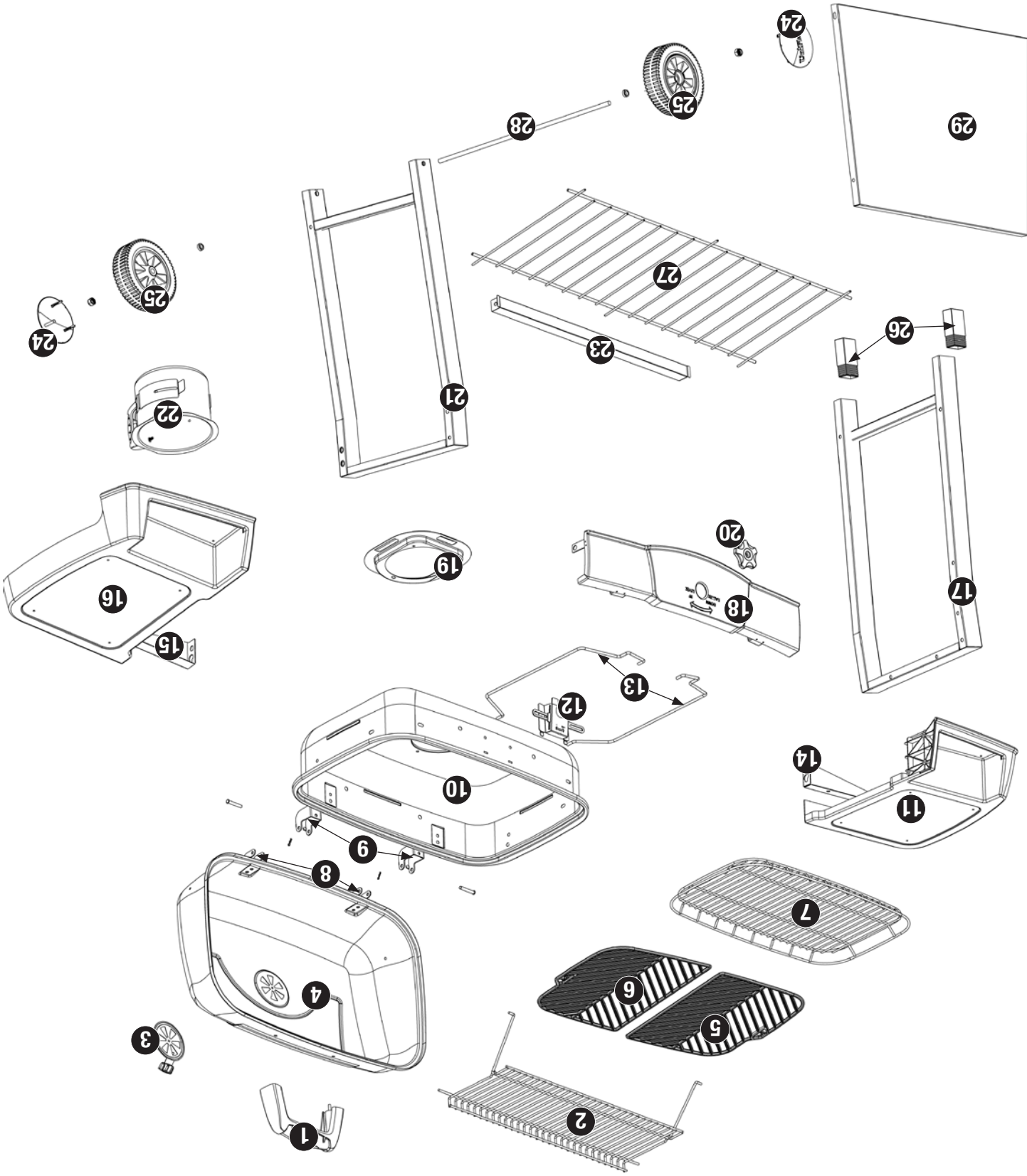
Fixez les pieds



Liste des pièces

1	Poignée du couvercle	55-14-793
2	Grille de réchauffage	55-14-790
3	Volet d'aération	55-14-794
4	Couvercle	55-08-092
5	Grille de cuisson gauche	55-09-088
6	Grille de cuisson droite	55-09-089
7	Panier à charbon de bois	55-14-791
8	Charnière supérieure (2)	55-14-081
9	Charnière inférieure (2)	55-14-792
10	Cuve	55-09-089
11	Tablette gauche	55-08-293
12	Mécanisme du bouton de réglage	55-08-295
13	Tige de support du panier à charbon de bois (2)	55-08-296
14	Support de la tablette gauche	55-08-294
15	Support de la tablette droite	55-08-297
16	Tablette droite	55-08-300
17	Cadre gauche du chariot	55-08-298
18	Panneau de commande	55-08-299
19	Glissière du cendrier	55-09-200
20	Bouton de réglage	55-15-106
21	Cadre droit du chariot	55-08-302
22	Cendrier	55-09-199
23	Barre de support arrière du cadre du chariot	55-08-303
24	Enjoliveur (2)	55-14-862
25	Roue (2)	55-14-861
26	Pied (2)	55-08-304
27	Grille intérieure	55-08-305
28	Essieu	55-14-808
29	Panneau avant	55-08-306

Vue éclatée

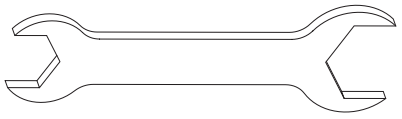
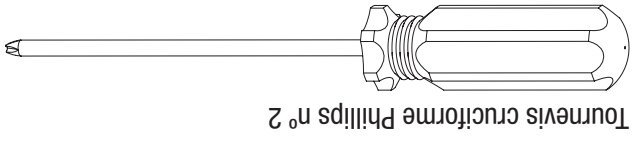


Quincaillerie

A	Vis	Galvanisée, à tête bombée Phillips, M4x15	1 pc
B	Vis	Galvanisée, à tête bombée Phillips, M5x12	3 pcs
C	Vis	Galvanisée, à tête bombée Phillips, M6x15	19 pcs
D	Vis	Galvanisée, à tête bombée Phillips, M6x20	4 pcs
E	Vis	Galvanisée, à tête bombée Phillips, M6x65	8 pcs
F	Écrou	Galvanisé, M10	2 pcs
G	Écrou borgne	Galvanisé, M5	2 pcs
H	Écrou à oreilles	Galvanisé, M5	1 pc
I	Écrou à oreilles	Galvanisé, M6	7 pcs
J	Rondelle	Galvanisée, ø5,3	2 pcs
K	Rondelle	Galvanisée, ø6,4	35 pcs
L	Rondelle	Résistante à la chaleur, ø6,4	8 pcs
M	Rondelle de blocage	Galvanisée, ø5,3	3 pcs
N	Rondelle de blocage	Galvanisée, ø6,4	31 pcs

Outils requis pour l'assemblage (fournis)

O	Goupille	Noire ø7 x 45	2 pcs
P	Goupille fendue	Galvanisée, ø1,4 x 30	2 pcs
Q	Entretoise	Entretoise en caoutchouc	2 pcs



2 pcs

1 pc

▲ DANGER: Le non-respect des avis de danger, des mises en garde et des consignes de sécurité de ce manuel risque de provoquer un incendie ou une explosion et d'entraîner des dégâts matériels, des blessures graves voire la mort.

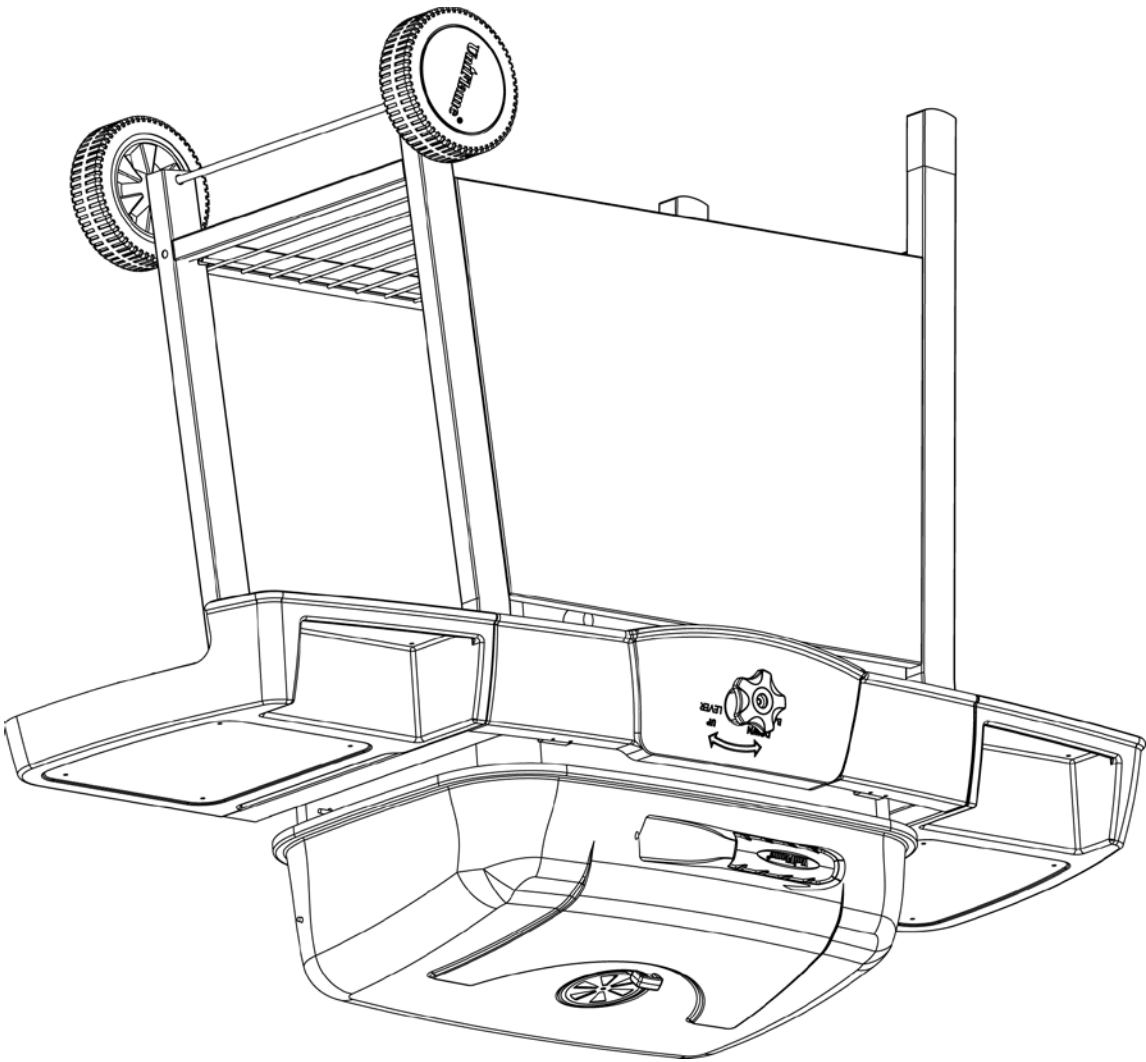
▲ AVERTISSEMENT:

- ▲ Ce barbecue doit être utilisé uniquement à l'extérieur et ne doit pas être utilisé dans un immeuble, un garage ou tout autre espace clos.
- ▲ NE PAS utiliser ou allumer cet appareil à moins de 8 pieds (2,43 m) de tout mur, construction ou immeuble.
- ▲ Ce barbecue N'est PAS destiné à un usage commercial.
- ▲ Ne pas utiliser le barbecue pour se chauffer ou pour cuisiner à l'intérieur. Des émanations toxiques de monoxyde de carbone peuvent s'accumuler et provoquer l'asphyxie.
- ▲ Ne jamais utiliser de l'essence, du kérosène ou de l'alcool pour allumer le barbecue.
- ▲ Ne pas utiliser le barbecue en présence de vapeurs et émanations explosives. Veiller à ce que la zone autour du barbecue demeure dégagée et dépourvue de matières combustibles, d'essence et d'autres liquides et vapeurs inflammables.
- ▲ Ne pas utiliser ni entreposer d'essence ou de liquides et autres vapeurs inflammables à moins de 25 pieds (7,62 m) de cet appareil.
- ▲ Le charbon de bois à allumage instantané peut brûler à une température très élevée lorsqu'on l'allume pour la première fois. S'assurer que le couvercle demeure ouvert jusqu'à ce que le charbon de bois se transforme en charbon chaud.
- ▲ S'assurer que toute surface et matière combustible se trouve toujours au minimum à 21 po. (53 cm) du barbecue. NE PAS utiliser ce barbecue sous un abri, une structure suspendue ou en saillie ou à proximité de toute construction combustible non-protégée.
- ▲ Ne modifier en aucune façon le barbecue.
- ▲ Ne pas utiliser le barbecue à moins qu'il ne soit complètement assemblé et que toutes les pièces ne soient fixées et serrées.
- ▲ Ce barbecue doit être vérifié et nettoyé en entier régulièrement.
- ▲ Utiliser uniquement des pièces agréées de l'usine Blue Rhino Global Sourcing, Inc. L'emploi de toute pièce non agréée peut être dangereuse et entraînera l'annulation de la garantie.
- ▲ Ne pas utiliser cet appareil avant de lire le chapitre « Fonctionnement » de ce manuel.
- ▲ Ne pas toucher les pièces métalliques du barbecue avant qu'il n'ait complètement refroidi (attendre environ 45 minutes) afin de ne pas se brûler, à moins de porter des vêtements de protection (gants, maniques, attirail de barbecue, etc.).
- ▲ Ne pas toucher les grilles (de charbon de bois et de cuisson), les cendres ni les briquettes de charbon de bois afin de vérifier si elles sont chaudes.
- ▲ Ne pas utiliser cet appareil sur une terrasse en bois, des meubles en bois ou sur toute autre surface combustible.
- ▲ Ne pas installer ni utiliser cet appareil à bord d'un bateau ou d'un véhicule récréatif.
- ▲ Placer le barbecue de manière à ce que le vent ne puisse emporter des cendres jusqu'à des surfaces combustibles.

- ▲ Ne pas utiliser le barbecue par grand vent.
- ▲ Ne jamais se pencher au-dessus du barbecue pour l'allumer.
- ▲ Ne pas laisser un barbecue sans surveillance surtout si des enfants ou des animaux domestiques ou de compagnie sont à proximité du barbecue.
- ▲ Ne pas essayer de déplacer le barbecue quand il est allumé. Laisser le barbecue refroidir avant de le déplacer ou de le remiser.
- ▲ Veiller à toujours ouvrir lentement et avec précaution le couvercle du barbecue à charbon de bois de sorte que la chaleur et la vapeur accumulées ne provoquent de graves brûlures.
- ▲ Placer toujours le barbecue sur une surface plane, dure et non combustible. Il est déconseillé de le placer sur de l'asphalte ou du bitume.
- ▲ N'enlever les cendres que lorsqu'elles sont complètement et totalement éteintes.
- ▲ Les briquettes chaudes et les morceaux de charbon chaud peuvent provoquer un incendie.
- ▲ Veiller à toujours vider le cendrier et le barbecue après chaque utilisation. N'enlever les cendres que lorsqu'elles sont complètement et totalement éteintes.
- ▲ Ne pas placer de combustible (briquettes de charbon de bois, bois ou morceaux de charbon) directement dans le fond du barbecue. Placer le combustible uniquement sur la grille ou la plaque à charbon de bois.
- ▲ S'assurer que les volets d'aération ne comportent pas de débris ni de cendre avant d'utiliser le barbecue ainsi que lorsqu'il est allumé.
- ▲ S'assurer que le cendrier est fermement et complètement installé avant d'utiliser le barbecue.
- ▲ Porter toujours des gants de protection pour ajouter du combustible afin de maintenir le niveau de chaleur désiré.
- ▲ Veiller à ce que les câbles et cordons électriques demeurent toujours loin du barbecue lorsqu'il est chaud.
- ▲ Utiliser toujours un thermomètre à viande afin de s'assurer que la nourriture est cuite à une température adéquate.
- ▲ Ne jamais recouvrir la totalité de l'espace de cuisson avec du papier d'aluminium
- ▲ Porter des gants de protection pour assembler cet article.
- ▲ Ne pas forcer les pièces les unes dans les autres afin d'éviter toute blessure et éviter d'endommager cet article.
- ▲ Les consignes ci-dessus doivent être strictement respectées et le non respect de ces consignes risque de provoquer des dégâts matériels ou d'entraîner des blessures graves voire la mort.

Barbecue d'extérieur au charbon de bois

Modèle n° CBC940WD-C



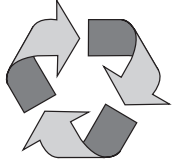
AVERTISSEMENT
POUR VOTRE SÉCURITÉ:

Pour usage à l'extérieur seulement
(hors de tout abri clos)



AVERTISSEMENT
POUR VOTRE SÉCURITÉ:

1. Toute installation défectueuse ou modification incorrecte ainsi que tout mauvais réglage ou entretien incorrect risque d'entraîner des blessures ou des dégâts matériels.
2. Lire complètement les instructions d'installation, d'utilisation et d'entretien avant de procéder à la maintenance de l'appareil ou à son entretien.
3. Le non-respect de ces consignes risque de provoquer un incendie ou une explosion et entraîner des dégâts matériels, des blessures graves voire la mort.



Fabriquée à partir de 70% de bagasse de canne à sucre (résidu de pulpe de canne à sucre sans danger pour l'environnement)

Fabriquée en Chine pour:
Blue Rhino Global Sourcing, Inc
Winston-Salem, NC États-Unis
1.800.762.1142, www.bluerhino.com

© 2008 Blue Rhino Global Sourcing, Inc. Tous droits réservés.
UniFlame® est une marque déposée de Blue Rhino Global Sourcing, Inc. Tous droits réservés.

CBC940WD-C-OM-101 EF

Table des matières

Consignes de sécurité importantes	page 2
Vue éclatée des pièces et quincaillerie	3
Instructions d'assemblage	4
Fonctionnement	7
Utiliser le barbecue pour la première fois	7
Cuisson	7
Conseils	7
Nettoyage et entretien	8
Enregistrement de l'appareil	9
Garantie limitée	9

Conservez ces instructions afin de pouvoir les consulter ultérieurement. Si vous êtes en train d'assembler cet appareil pour une autre personne, veuillez lui fournir le manuel afin qu'elle puisse le consulter plus tard.

Free Manuals Download Website

<http://myh66.com>

<http://usermanuals.us>

<http://www.somanuals.com>

<http://www.4manuals.cc>

<http://www.manual-lib.com>

<http://www.404manual.com>

<http://www.luxmanual.com>

<http://aubethermostatmanual.com>

Golf course search by state

<http://golfingnear.com>

Email search by domain

<http://emailbydomain.com>

Auto manuals search

<http://auto.somanuals.com>

TV manuals search

<http://tv.somanuals.com>