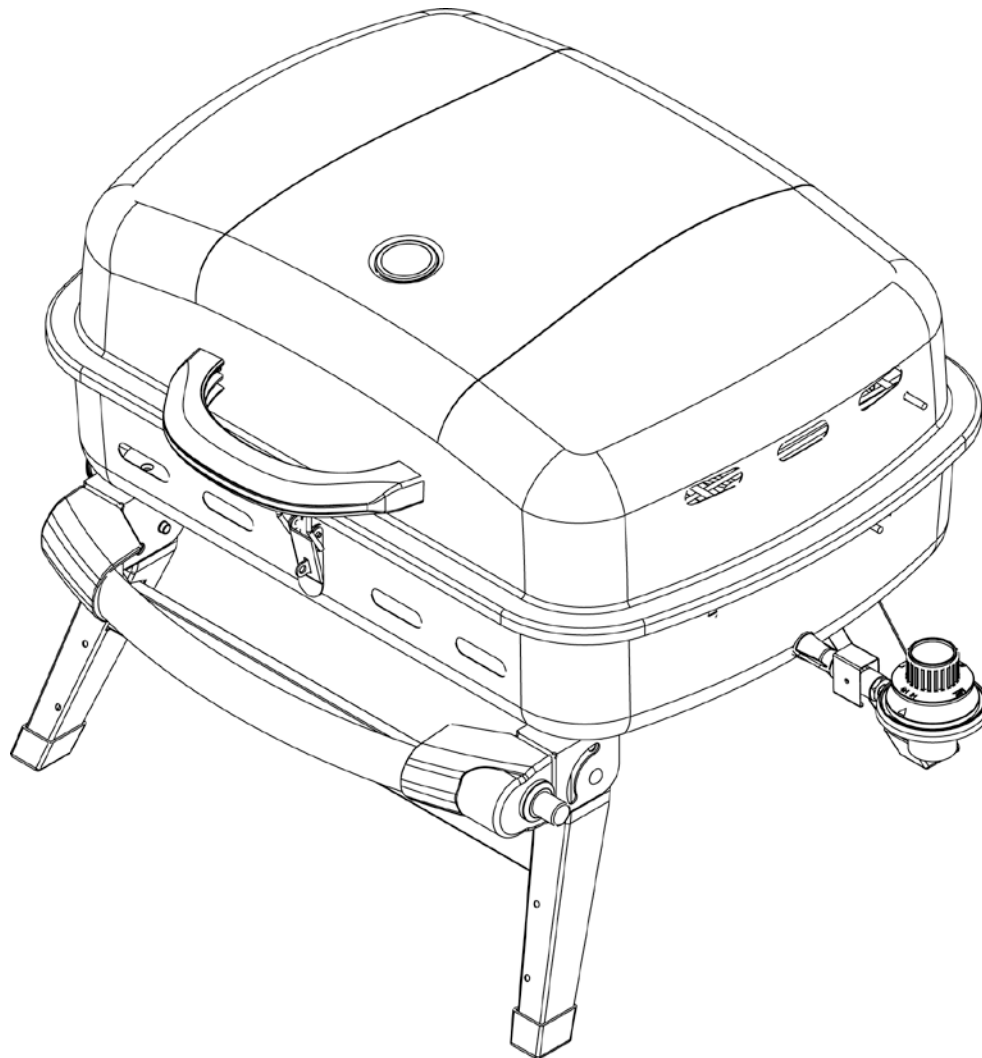


## Outdoor LP Gas Barbecue Grill

Model No. GBT926W-C and GBT926W1-C



**WARNING**  
FOR YOUR SAFETY:

**For Outdoor Use Only**  
(outside any enclosure)

**WARNING**  
FOR YOUR SAFETY:

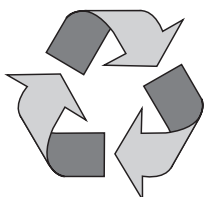
1. Improper installation, adjustment, alteration, service or maintenance can cause injury or property damage.
2. Read the installation, operation and maintenance instructions thoroughly before installing or servicing this equipment.
3. Failure to follow these instructions could result in fire or explosion which could cause property damage, personal injury or death.

Save these instructions for future reference. If you are assembling this unit for someone else, give this manual to him or her to read and save for future reference.

### Table of Contents

Important Safeguards . . . . .	Page 2
Exploded View & Hardware . . . . .	3
Assembly Instructions . . . . .	4
Operating Instructions . . . . .	7
Checking for Leaks . . . . .	7
First Use . . . . .	7
Lighting . . . . .	7
Turning Off . . . . .	7
Cooking . . . . .	7
Flare ups . . . . .	7
Tips . . . . .	8
Cleaning and Care . . . . .	8
Product Registration . . . . .	8
Limited Warranty . . . . .	8
Troubleshooting . . . . .	9

The use and installation must conform with local codes or, in the absence of local codes, with either the *National Fuel Gas Code, ANSI Z223.1/NFPA 54, Natural Gas and Propane Installation Code, CSA B149.1, or Propane Storage and Handling Code, B149.2, or the Standard for Recreational Vehicles, ANSI A 119.2/NFPA 1192, and CSA Z240 RV Series, Recreational Vehicle Code*, as applicable.



Made from 70% Bagasse  
(Environmentally Friendly Sugar Cane Pulp By-product)



Manufactured in China for:  
Blue Rhino Global Sourcing, Inc  
Winston-Salem, NC USA  
1.800.762.1142, www.bluerhino.com

© 2010 Blue Rhino Global Sourcing, Inc. All Rights Reserved  
UniFlame® is a Registered Trademark of Blue Rhino Global Sourcing, Inc.. All Rights Reserved.

**DANGER**



If you smell gas -

1. Shut off gas to appliance.
2. Extinguish any open flame.
3. Open lid.
4. If odor continues, keep away from the appliance and immediately call your gas supplier or your fire department.

**WARNING**

**FOR YOUR SAFETY**

1. Do not store or use gasoline or other flammable liquids or vapors in the vicinity of this or any other appliance.
2. An LP cylinder not connected for use shall not be stored in the vicinity of this or any other appliance.



**DANGER**

Do not leave a lit grill unattended.

**▲ DANGER:** Failure to follow the dangers, warning and cautions in this manual may result in serious bodily injury or death, or in a fire or an explosion causing damage to property.

- ▲ WARNING:**
- ▲ This grill is for outdoor use only and shall not be used in a building, garage or any other enclosed area.
  - ▲ This grill is NOT for commercial use.
  - ▲ This is not a tabletop grill. Therefore, do not operate this grill on any type of tabletop surface.
  - ▲ This grill is safety certified for use in the United States and Canada only. Do not modify for use in any other location. Modification will result in a safety hazard and will void warranty.
  - ▲ Do NOT operate, light or use this appliance within 8 feet of walls, structures or buildings.
  - ▲ Apartment Dwellers: Check with management to learn the requirements and fire codes for using an LP gas grill in your apartment complex. If allowed, use outside on the ground floor with an eight (8) feet clearance from walls or rails. Do not use on or under balconies.
  - ▲ This grill is for use with liquid propane (LP) gas only. The conversion to or attempted use of natural gas in this LP gas grill is dangerous and will void your warranty.
  - ▲ LP gas characteristics:
    - a. LP gas is flammable and hazardous if handled improperly. Become aware of the characteristics before using any LP gas product.
    - b. LP gas is explosive under pressure, heavier than air and settles and pools in low areas.
    - c. LP gas in its natural state has no odor. For your safety, an odorant is added that smells like rotten cabbage.
    - d. Contact with LP gas can cause freeze burns to skin.
  - ▲ Only tanks marked "propane" may be used with this appliance.
  - ▲ The LP gas tank must be constructed and marked in accordance with the *Specifications for LP gas Cylinders of the U.S. Department of Transportation (DOT) or the National Standard of Canada, CAN/CSA-B339, Cylinders, Spheres and Tubes for the Transportation of Dangerous Goods; and Commission.*
  - ▲ LP gas tank must be arranged for vapor withdrawal.
  - ▲ Dented or rusted LP gas tanks may be hazardous and should be checked by your LP gas supplier prior to use.
  - ▲ The LP gas tank should not be dropped or handled roughly.
  - ▲ LP gas tanks must be stored outdoors out of the reach of children and must not be stored in a building, garage, or any other enclosed area. Your tank must never be stored where temperatures can reach over 125°F.
  - ▲ Do not insert any tool or foreign object into the valve outlet or safety relief valve. You may damage the valve and cause a leak. Leaking propane may result in explosion, fire, severe personal injury or death.
  - ▲ Do not block holes in sides or back of grill.
  - ▲ Never attempt to attach this grill to the self-contained LP gas system of a camper trailer, motor home or house.
  - ▲ Do not store a spare LP gas tank under or near this appliance.
  - ▲ The use of alcohol, prescription or non-prescription drugs may impair the consumer's ability to properly assemble or safely operate the appliance.
  - ▲ Strong odors, colds, sinus congestion, etc. may prevent the detection of propane. Use caution and common sense when testing for leaks.
  - ▲ Never use charcoal, lighter fluid, lava rocks, gasoline, kerosene or alcohol with this product.
  - ▲ Your grill has been checked at all factory connections for leaks. Re-check all connections as movement in shipping can loosen connections.
  - ▲ Check for leaks even if your unit was assembled for you by someone else.
  - ▲ Do not operate if gas leak is present. Gas leaks may cause a fire or explosion.
  - ▲ You must follow all leak-checking procedures before operating. To prevent fire or explosion hazard when testing for a leak:
    - a. Always perform leak test before lighting the grill and each time the tank is connected for use.
    - b. Do not use or permit sources of ignition in the area while conducting a leak test. No smoking.
    - c. Conduct the leak test outdoors in a well-ventilated area.
    - d. Do not use matches, lighters or a flame to check for leaks.
    - e. Do not use grill until any and all leaks are corrected.
 If you are unable to stop a leak disconnect the LP gas supply. Call our customer care at 1.800.762.1142, a gas appliance serviceman or your local LP gas supplier.
  - ▲ Do not use in an explosive atmosphere. Keep grill area clear and free from combustible materials, gasoline and other flammable vapors and liquids.
  - ▲ Keep all combustible items and surfaces at least 36 inches (91 cm) away from the grill at all times. DO NOT use this grill or any gas product under any overhead or near any unprotected combustible constructions.
  - ▲ It is essential to keep the grill's valve compartment, burners and circulating air passages clean. Inspect grill before each use.
  - ▲ Do not use the grill unless it is COMPLETELY assembled and all parts are securely fastened and tightened.
  - ▲ This grill should be thoroughly cleaned and inspected on a regular basis.
  - ▲ Do not alter grill in any manner. Any alteration will void your warranty.
  - ▲ Use only the regulator provided. Any replacement regulator shall be specified by the manufacturer.
  - ▲ Use only Blue Rhino Global Sourcing, Inc. factory authorized parts. The use of any part that is not factory authorized can be dangerous. This will also void your warranty.
  - ▲ Do not attempt to repair or alter the hose/regulator for any "assumed" defect. Any modification to this assembly will void your warranty and create the risk of a gas leak and fire. Use only authorized replacement parts supplied by manufacturer.
  - ▲ Do not use this appliance without reading "Operating Instructions" in this manual.
  - ▲ Do not touch metal parts of grill until it has completely cooled (about 45 min.) to avoid burns, unless you are wearing protective gear (pot holders, gloves, BBQ mittens, etc.).
  - ▲ Do not install or use in or on boats or recreational vehicles.
  - ▲ Do not use grill in a vehicle trunk, station wagon, mini-van, sport utility vehicle (SUV) or recreational vehicle (RV).
  - ▲ When cooking fire extinguishing materials shall be readily accessible. In the event of an oil/grease fire, do not attempt to extinguish with water. Use type BC dry chemical fire extinguisher or smother with dirt, sand or baking soda.
  - ▲ Move gas hoses as far away as possible from hot surfaces and dripping hot grease.
  - ▲ Do not use grill in high winds.
  - ▲ Never lean over grill when lighting.
  - ▲ Do not leave a lit grill unattended. Keep children and pets away from grill at all times.
  - ▲ Do not attempt to move grill when in use. Allow the grill to cool (approximately 45 minutes) before moving or storing.
  - ▲ Storage of grill indoors is permissible only if the tank is disconnected, removed from the grill and properly stored outdoors.
  - ▲ While wearing a protective glove or mit, open grill lid carefully and slowly as heat and steam trapped within grill can severely burn you.
  - ▲ Do not attempt to disconnect the gas regulator from the tank or any gas fitting while the grill is in use.
  - ▲ Disconnect LP gas tank when not in use.
  - ▲ Always use your grill on a hard, non-combustible, level surface. An asphalt or blacktop surface may not be acceptable for this purpose.
  - ▲ Do not use directly on wooden decks.
  - ▲ Keep all electrical cords away from a hot grill.
  - ▲ Do not use grill for indoor cooking or heating. TOXIC fumes can accumulate and cause asphyxiation.
  - ▲ After a period of storage and/or nonuse check for leaks and burner obstructions.
  - ▲ Failure to open lid while igniting the grill's burner, or not waiting 5 minutes to allow the gas to clear if the grill does not light, may result in an explosive flame-up.
  - ▲ Never operate grill without heat plate installed.
  - ▲ Always use a meat thermometer to ensure food is cooked to a safe temperature.
  - ▲ Use protective gloves when assembling this product.
  - ▲ Do not force parts together as this can result in personal injury or damage to the product.
  - ▲ Never cover entire cooking area with aluminum foil.
  - ▲ Death, serious injury or damage to property may occur if the above is not followed exactly.

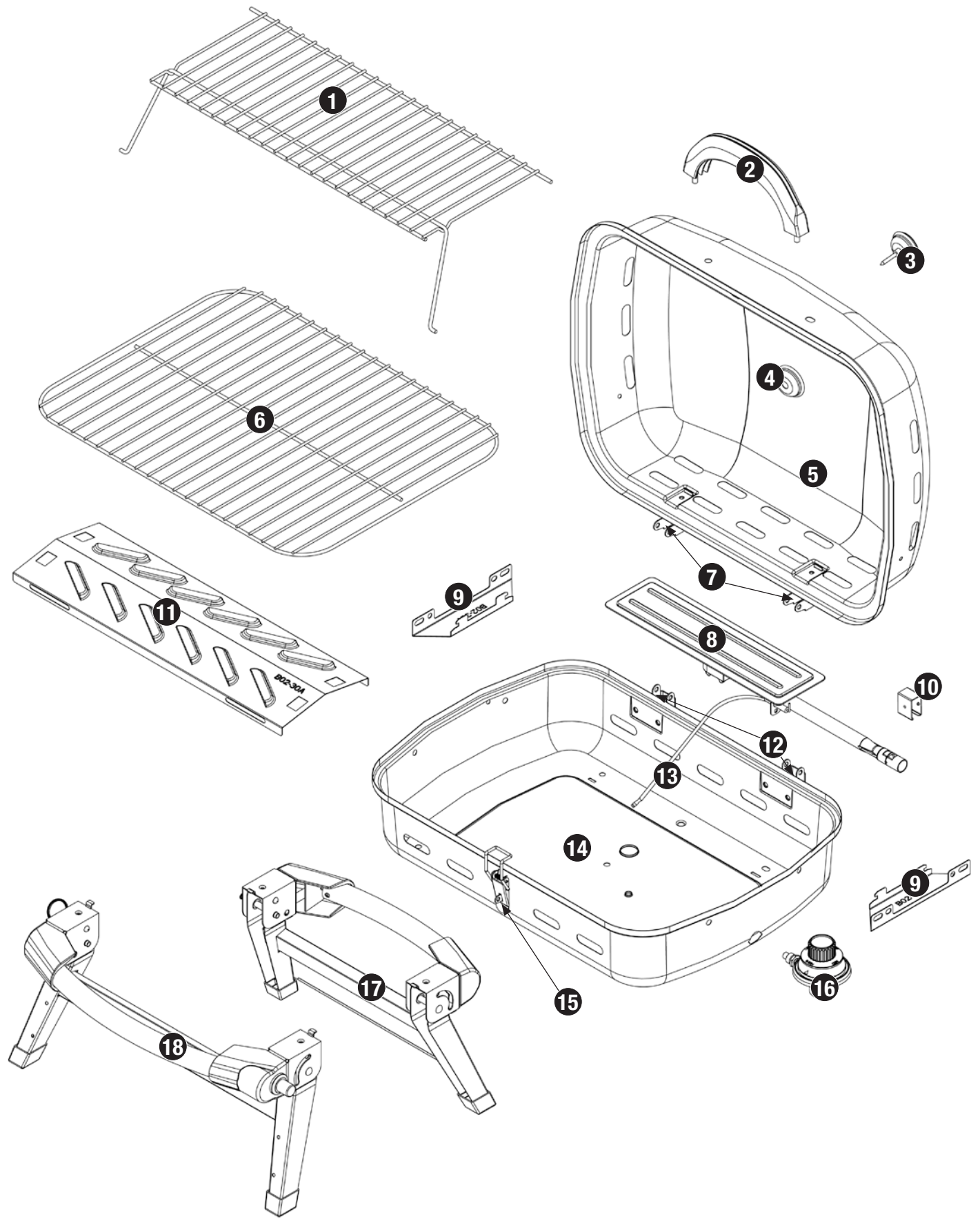
Contact 1.800.762.1142 for assistance. Do not return to place of purchase.

### Parts List

1	Warming Rack	55-09-333
2	Handle	55-09-327
3	Temperature Gauge	55-07-233
4	Temperature Gauge Support	55-09-378
5	Lid	55-09-442 (W) 55-10-322 (W1)
6	Cooking Grid	55-09-325
7	Top Hinge (2)*	55-15-330
8	Burner	55-07-214
9	Heat Plate Support (2)	55-09-330
10	Wind Guard	55-09-254
11	Heat Plate	55-09-329
12	Bottom Hinge (2)*	55-15-329
13	Igniter Wire*	55-15-060
14	Bottom Bowl	55-09-324
15	Lock*	55-09-443
16	Regulator/Control Knob	55-14-986
17	Rear Leg	55-10-349
18	Front Leg	55-09-326

\* Pre-assembled

### Exploded View

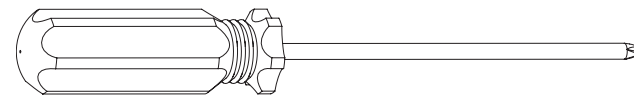


### Hardware

A	Screw	M6x15 Nickel Plated Phillips Truss Head	4 pcs
B	Wing Bolt	M6x8 Nickel Plated	5 pcs
C	Wing Nut	M6 Nickel Plated	6 pcs
D	Washer	ø6.4 Nickel Plated	7 pcs
E	Washer	ø6 Heat Resistant	2 pcs
F	Lock Washer	ø6 Nickel Plated	7 pcs
G	Pin	ø5 x 32 Nickel Plated	2 pcs
H	Cotter Pin	ø1.2 x 30 Black	2 pcs

### Tools Required for Assembly (Not Included)

#2 Phillips Head Screwdriver 1 pc





**Assembly Instructions**

**1 DO NOT RETURN PRODUCT TO STORE.**

For assistance call **1.800.762.1142** toll free. Please have your owner's manual and model number available for reference.

For Easiest Assembly:

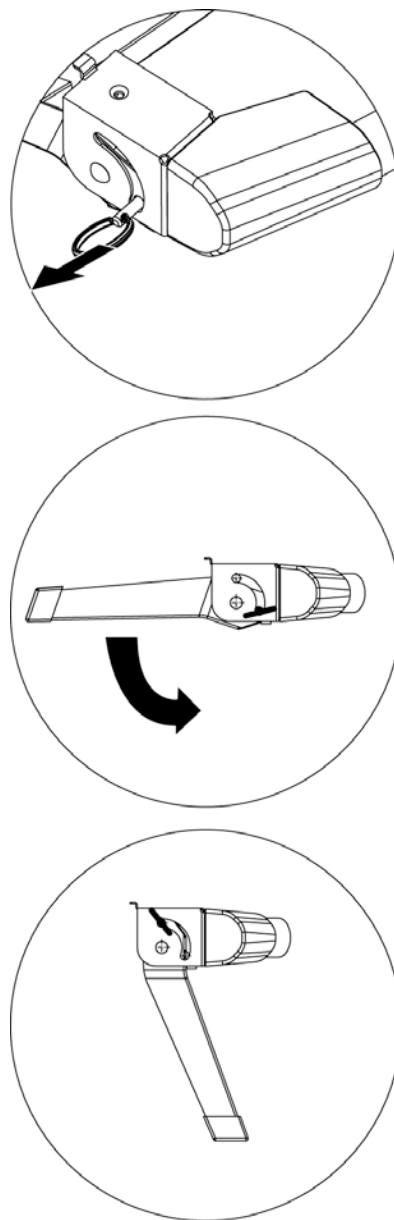
- To avoid losing any small components or hardware, assemble your product on a hard, level surface that does not have cracks or openings.
- Clear an area large enough to layout all components and hardware.
- When applicable, tighten all hardware connections by hand first. Once the step is completed go back and fully tighten all hardware.
- Follow all steps in order to properly assemble your product.

To complete assembly you will need:

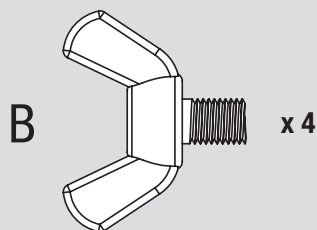
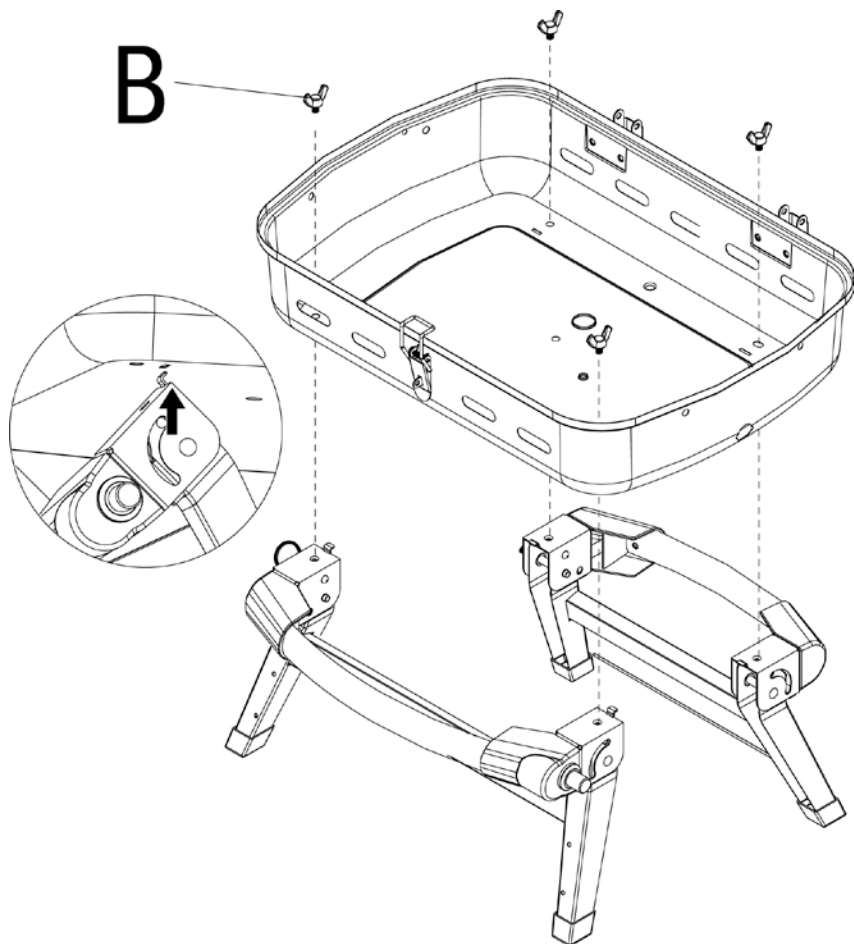
- (1) Leak Detection Solution (Instructions on how to make solution are included in "Operating Instructions" section)
- (1) 14.1 oz or (1) 16.4 oz LP gas tank.

Typical assembly: approximately 30 minutes.

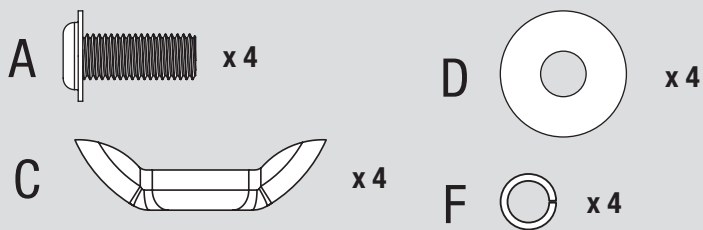
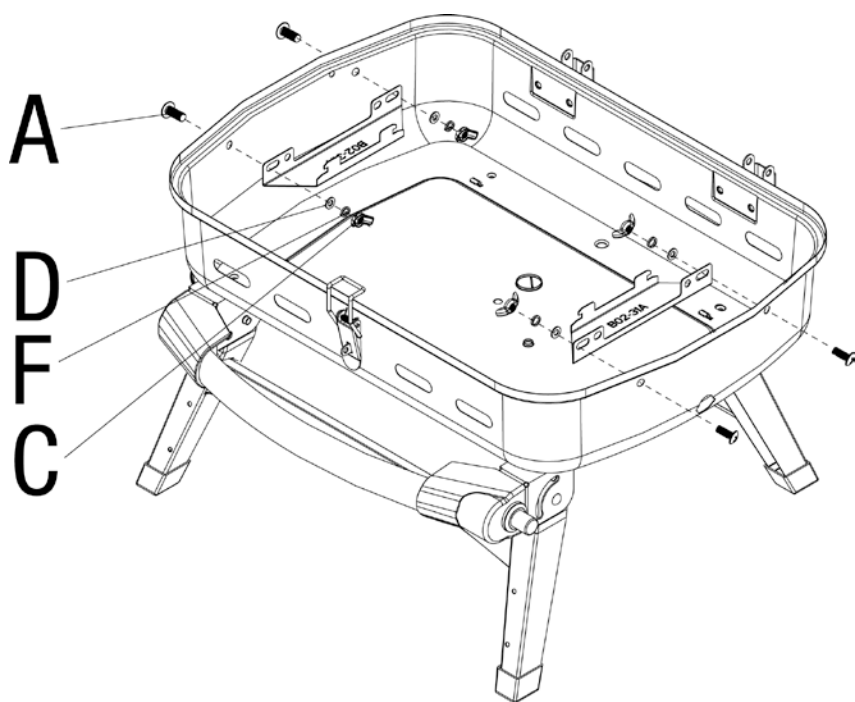
**2 Unfold Legs**



**3 Attach Legs**

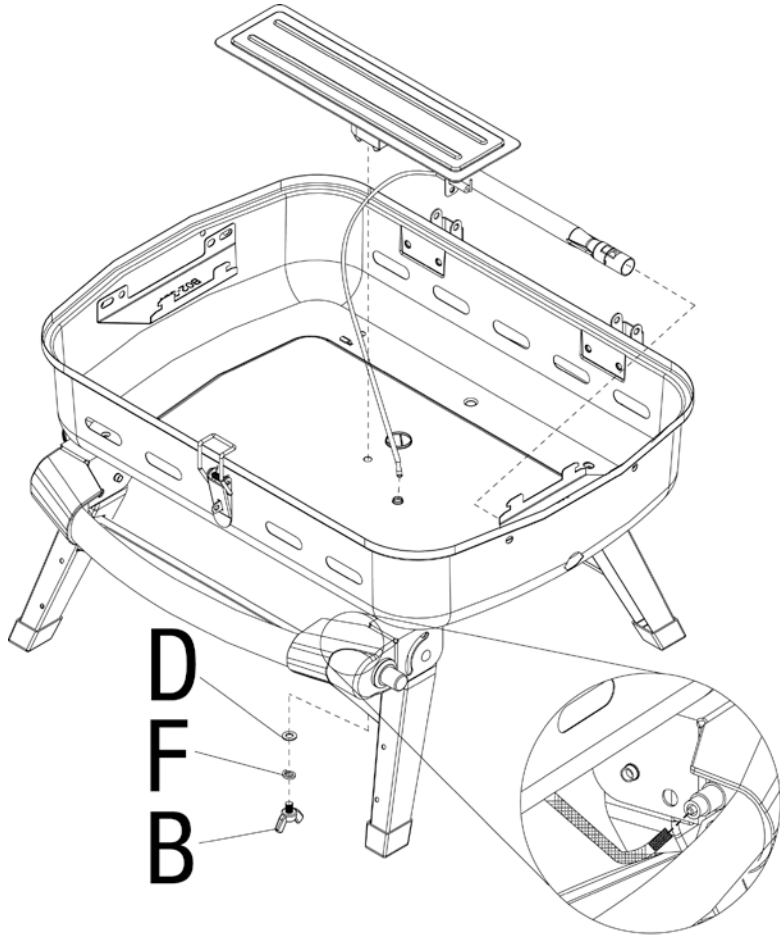


**4 Attach Heat Plate Supports**



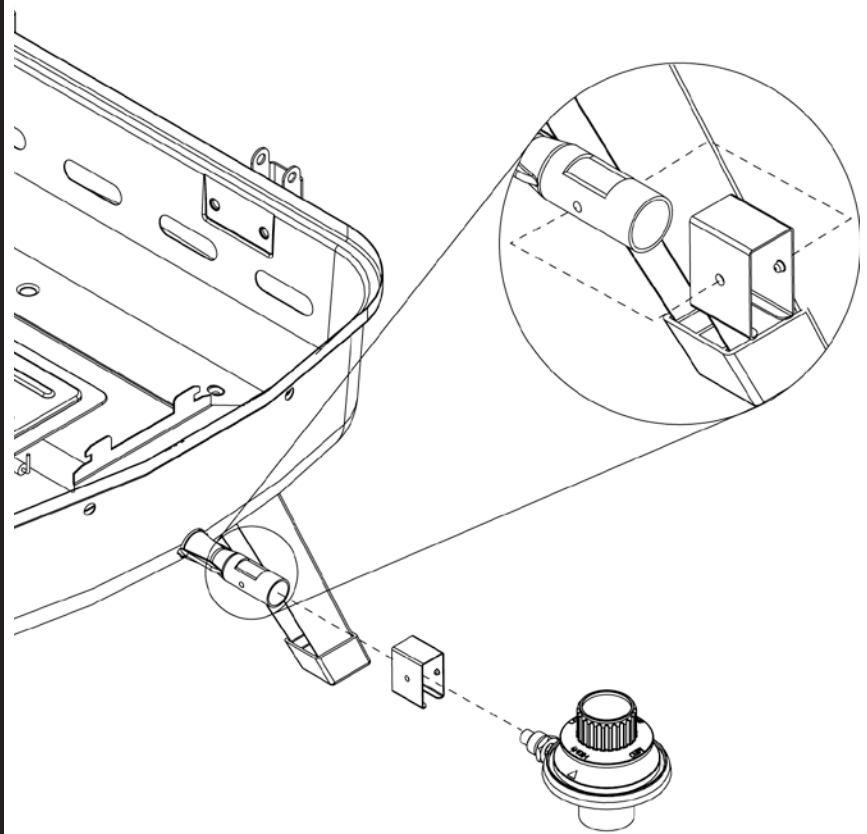
Contact 1.800.762.1142 for assistance. Do not return to place of purchase.

### 5 Attach Burner and Igniter Wire

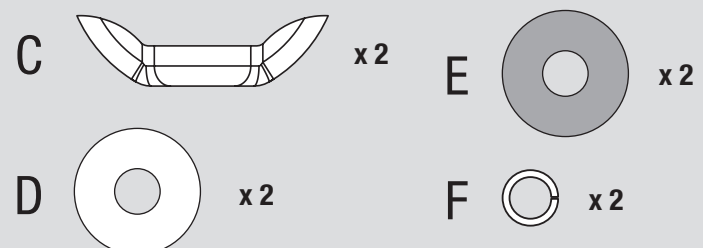
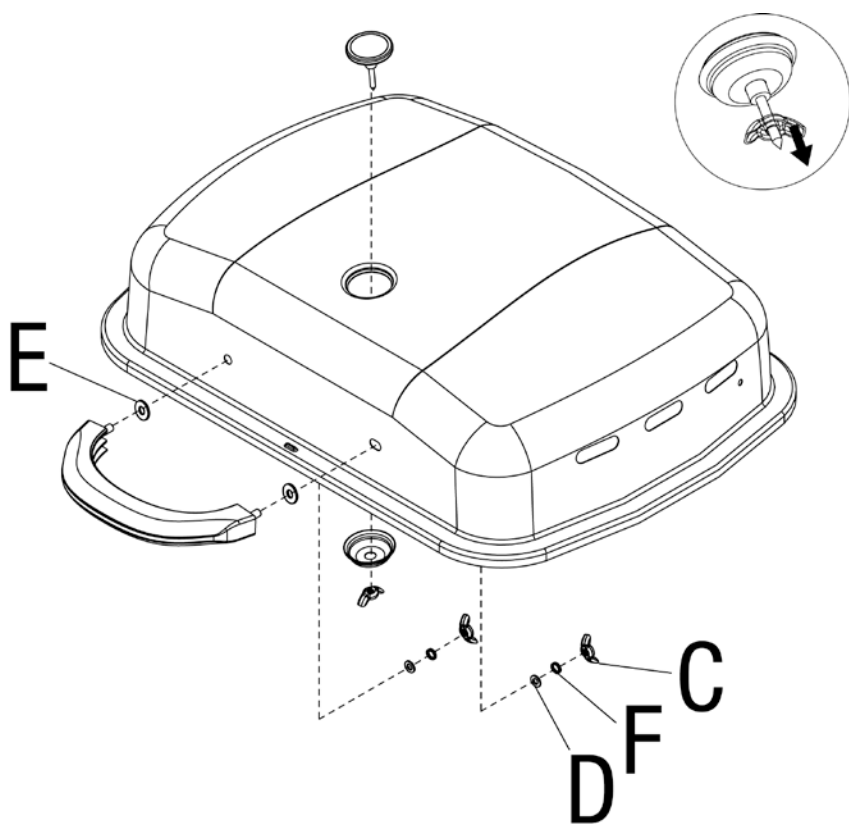


### 6 Attach Wind Guard and Regulator/Control Knob

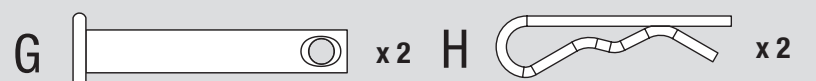
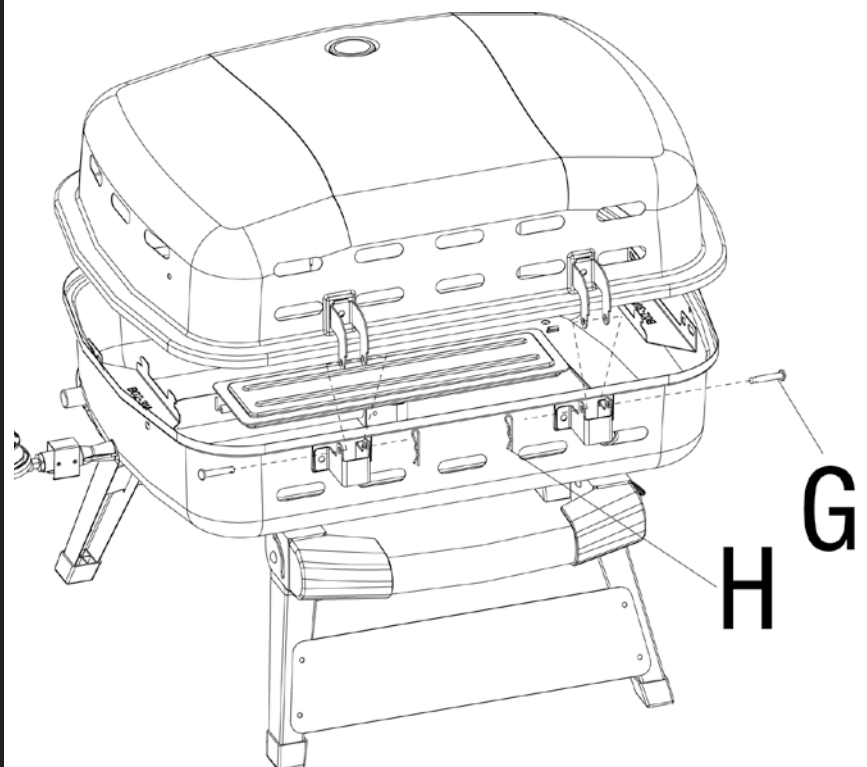
*Note:* Once attached, the regulator/control knob will freely rotate to accommodate for the LP gas tank.



### 7 Attach Handle, Temperature Gauge Support and Temperature Gauge



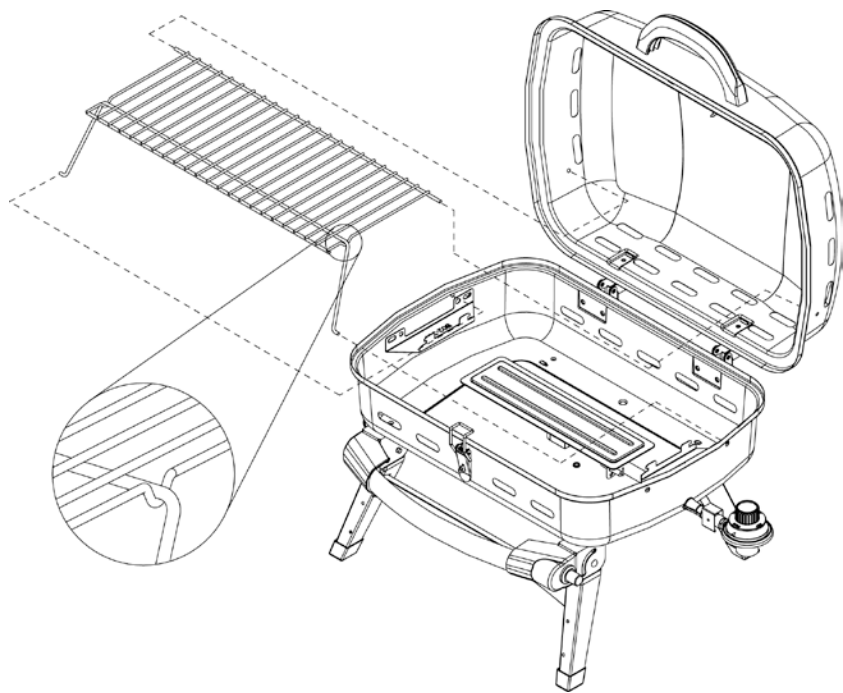
### 8 Attach Lid



**Assembly Instructions (continued)**

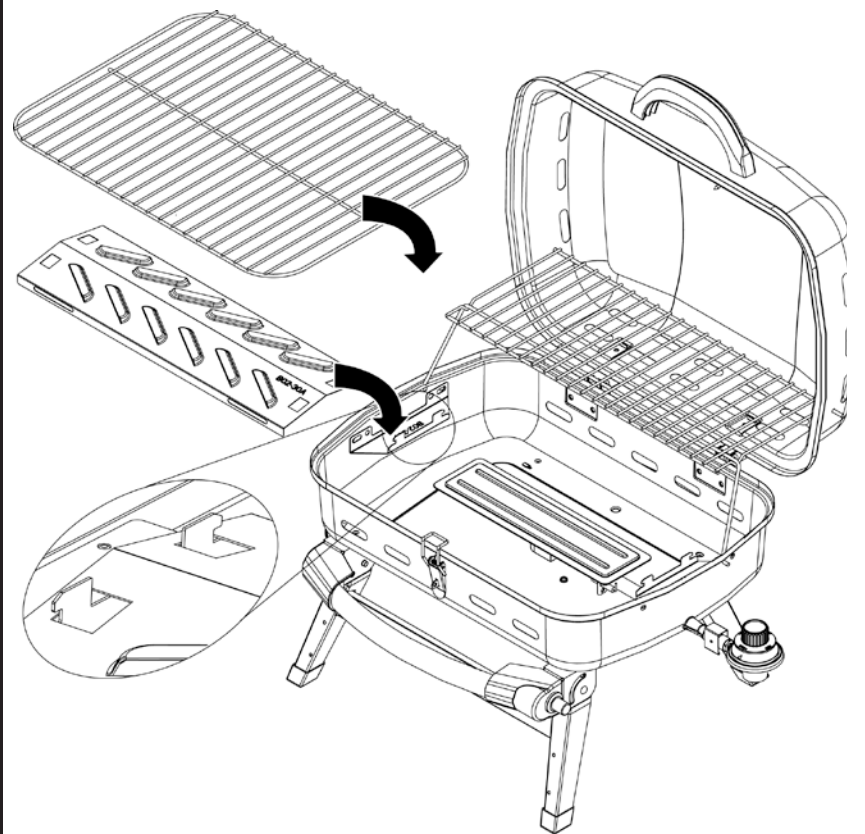
**9**

**Insert Warming Rack**



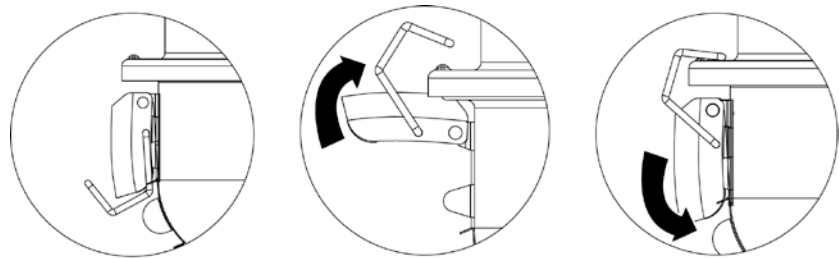
**10**

**Insert Heat Plate and Cooking Grid**

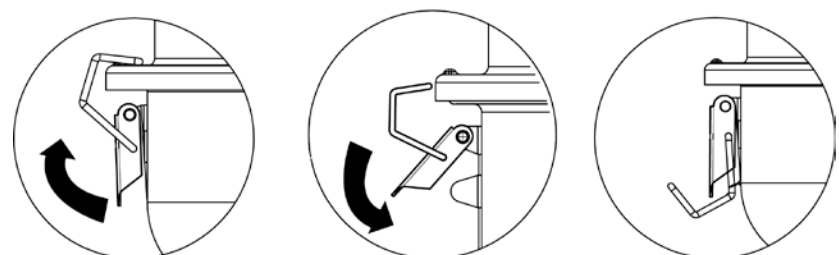


**11**

**Lock Lid**



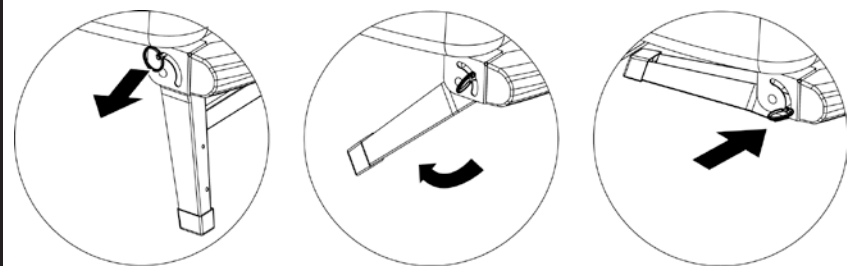
**Unlock Lid**



**12**

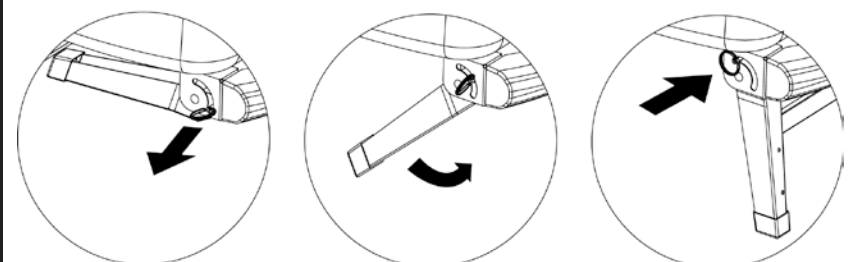
**Fold Legs**

*Note: Always lock lid before folding legs.*



**Unfold Legs**

*Note: Always open legs completely and secure in place before lighting.*





## Operating Instructions

This grill is designed to operate with a one pound 7.75" or 10.6" high disposable / 16.4 oz. or 14.1 oz. propane gas tank (DOT 39 Cylinder). (Figure 1)

**DO NOT ATTEMPT TO REFILL ANY ONE POUND (16.4 oz. or 14.1 oz.) PROPANE GAS TANKS!**

### Connect LP Gas Tank

Only cylinders marked "propane" may be used.

*Note:* Some 1-lb cylinders may form frost when near empty.

1. Make sure the regulator/control knob is in the "LOCK/OFF" position. (Figure 2)
2. Lubricate the threads of the regulator/control knob with petroleum jelly. Line up threads on LP gas tank with regulator/control knob.
3. Insert and rotate LP gas tank clockwise until they fit snugly together. **HAND TIGHTEN ONLY.** Be careful not to cross threads when screwing in canister. (Figure 3a)
4. Test for leaks, see "Checking for Leaks" section.

### Disconnect LP Gas Tank

1. Turn the regulator/control knob to the "LOCK/OFF" position. (Figure 2)
2. Rotate LP gas tank counterclockwise until it is loose. (Figure 3b)
3. Store the LP gas tank in a proper location.

### Burner Connection

Make sure the regulator/control knob is securely fastened to the burner. (Figure 4)

*Note:* The brass nut should be 1/4 to 1/2 turn past tight. The regulator will rotate 360° even when the brass nut is tightened.

If your unit was assembled for you, visually check the connection between the burner and control valve.

If you have questions contact 1.800.762.1142 for assistance.

**⚠ WARNING: Failure to inspect this connection or follow these instructions could cause a fire or an explosion which can cause death, serious bodily injury or damage to property.**

### Checking for Leaks

1. Make 2-3 oz. of leak solution by mixing one part liquid dishwashing soap with three parts water.
  2. Make sure regulator/control knob is "LOCK/OFF". (Figure 2)
  3. Spoon several drops of solution, or use squirt bottle, at all "X" locations. (Figures 4 & 5)
  4. Inspect the solution at the connections, looking for bubbles.
    - a. If NO bubbles appear after one minute, the connections are secure. Wipe away solution and proceed.
    - b. If bubbles appear, you have a leak.
      1. Remove the LP gas tank and reconnect, making sure the connection is secure.
      2. Retest with solution.
- If you continue to see bubbles after several attempts, disconnect LP gas tank and contact 1.800.762.1142 for assistance.

### First Use

1. Make sure all labels, packaging and protective films have been removed from the grill.
2. Remove manufacturing oils before cooking on this grill for the first time by operating the grill for at least 15 minutes on "HIGH" with the lid closed. This will "heat clean" the internal parts and dissipate odors.

Figure 1

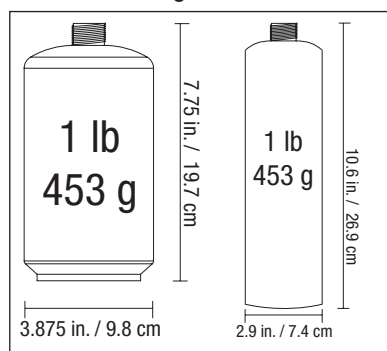


Figure 2

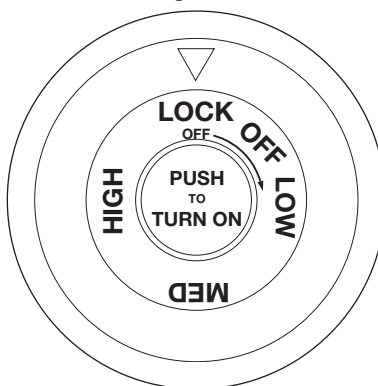


Figure 3a

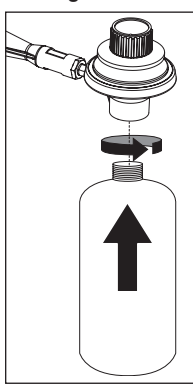


Figure 3b

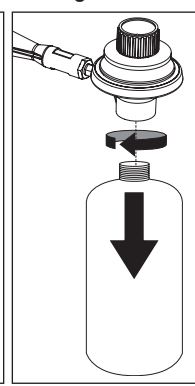


Figure 4

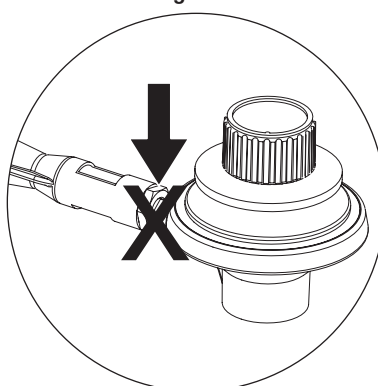


Figure 5

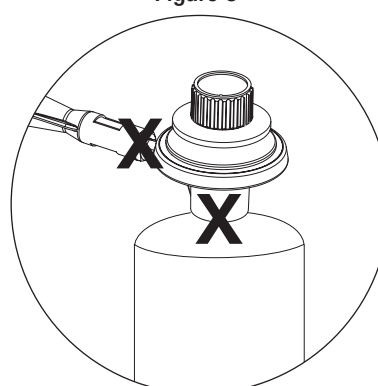
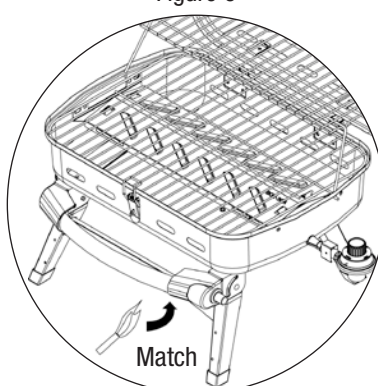


Figure 6



### Lighting

**⚠ Caution: Keep outdoor gas cooking appliance area clear and free from combustible materials, gasoline and other flammable vapors and liquids.**

**⚠ Caution: Do not obstruct the flow of combustion and ventilation air.**

**⚠ Caution: Check and clean burner/venturi tubes for insects and insect nests. A clogged tube can lead to a fire beneath the grill.**

**⚠ Caution: Attempting to light the burner with the lid closed may cause an explosion.**

1. Make sure all labels, packaging and protective films have been removed from the grill.
2. Open lid.
3. Make sure there are no obstructions of airflow to the gas unit. Spiders and insects can nest within and clog the burner / venturi tube at the orifice.
4. The regulator/control knob must be in the "LOCK/OFF" position. (Figure 2)
5. Turn the regulator/control knob to "HIGH"
6. Press the Igniter button repeatedly to light burner.
7. If ignition does not occur in 5 seconds, turn burner control knob to LOCK/OFF, wait 5 minutes and repeat lighting procedure.

8. If igniter does not light burner, use a long lit match to light burner manually. Access the burner through the hole in bottom bowl as indicated. (Figure 6)

9. After lighting, observe the burner flame. Make sure all burner ports are lit and flame height matches illustration. (Figure 7)

**⚠ Caution: If burner flame goes out during operation, immediately turn the regulator/control knob "OFF" and open lid to let the gas clear for about 5 minutes before re-lighting.**

### Turning Off

1. Turn regulator/control knob to the "LOCK/OFF" position. (Figure 2)
2. Remove LP gas tank and properly store tank.

### Cooking

1. Open lid and ignite burner per "Lighting Instructions".
2. Close lid and preheat grill on "HIGH".
3. Adjust control to desired temperature.
4. Wearing protective gloves lift lid by handle(s) and use long handle tongs to place food onto cooking grids above the lit burners.
5. With lid open or closed, cook until desired internal food temperatures are achieved.
6. Turn grill "OFF" by turning regulator/control knob to the "LOCK/OFF" position. Remove LP gas tank and properly store tank.

### Controlling Flare-ups

**⚠ Caution: Putting out grease fires by closing the lid is not possible.**

**• Do not use water on a grease fire. This can cause the grease to splatter and could result in serious burns, bodily harm or other damage. If a grease fire develops, turn regulator/control knob "OFF".**

**• Do not leave grill unattended while preheating or burning off food residue on "HIGH". If grill has not been regularly cleaned, a grease fire can occur that may damage the product.**

**⚠ WARNING: When cooking, fire extinguishing materials shall be readily accessible. In the event of an oil/grease fire, do not attempt to extinguish with water. Use type BC dry chemical fire extinguisher or smother with dirt, sand or baking soda.**

### Minimize Flare-ups:

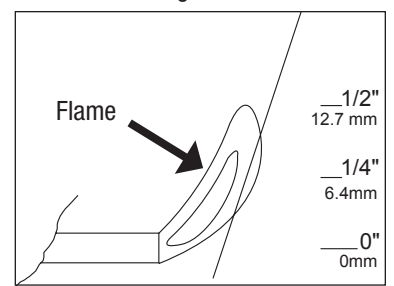
Flare-ups are a part of cooking meats on a grill, and adds to the unique flavor of grilling.

**Excessive flare-ups can over cook your food and cause a dangerous situation for you and your grill.**

**Important:** Excessive flare-ups result from the build-up of grease in the bottom of your grill.

1. Trim excess fat from meats prior to cooking.
2. Cook high fat contents meats on  $\Delta$  (LOW) setting or indirectly.
3. Ensure that your grill is on hard, level, non-combustible surface and the grease is allowed to drain into grease cup.

Figure 7



## Operating Instructions (continued)

### Tips for Better Cookouts and Longer Grill Life

1. For food safety tips visit: [http://www.fsis.usda.gov/Fact\\_Sheets/Barbecue\\_Food\\_Safety/](http://www.fsis.usda.gov/Fact_Sheets/Barbecue_Food_Safety/)
2. Use the upper cooking grid (warming rack) for keeping cooked food warm, toasting breads or cooking delicate foods in aluminum foil pouches.
3. Use the side burner of this appliance like a normal kitchen range for boiling, sautéing or frying.
4. To keep food from sticking to the grids, spray or coat with cooking oil before lighting.
5. To reduce flare-up keep grill clean, use lean cuts of meat (or trim fat) and avoid cooking on very high temperatures.
6. Place delicate foods like fish and vegetables in aluminum foil pouches and indirect cook or place on upper cooking levels (warming rack).
  - ▲ **WARNING: Never cover entire cooking area with aluminum foil.**
7. To avoid losing natural juices, use long handled tongs or spatulas instead of forks and turn foods over just once during cooking.
8. When direct cooking adjust your burners to different levels so foods can be prepared to different internal temperatures in the same time frame.
9. When indirect cooking roasts and larger cuts of meat, place meat onto a roasting rack inside a heavy gauge metal pan. Place pan over the un-lit burners.
10. Try water pans to reduce flare-ups and cook juicer meats. Before starting grill remove cooking grids and place a heavy duty shallow pan directly on heat plates. Fill half way with water, fruit juices or other flavored liquids. Replace cooking grids and position food over the loaded pan.
11. Enhance food flavors by using wood chips in smoker boxes or aluminum foil pouches. Follow the wood manufacturer's instructions.
12. Rotisseries, grill baskets, vertical poultry holders and other accessories can enhance your experiences, reduce cooking times and aid in clean-up.
13. Clean cooking grids and racks after every use with a quality grill brush designed for your grid material. Wear protective gloves and gently remove the build-up while grids are hot.
14. After every use, allow grill to cool. Then protect clean cooking grids with a light coat of cooking oil, empty grease pan, wipe outside surfaces with a suitable kitchen cleaner and protect surfaces with a quality cover that properly fits your grill.
15. Watch barbecue themed TV shows or purchase related barbecue cookbooks to learn more interesting tips like –
  - A gas grill is ideal for reheating leftover pizza. Set burners on low and place pizza slices directly on preheated cooking grid. Close lid and cook until cheese starts to bubble.*

## Cleaning and Care

### ▲ Caution:

1. All cleaning and maintenance should be done when grill is completely cool (about 45 min.) and with the LP gas tank disconnected.
2. DO NOT clean any grill part in a self cleaning oven. The extreme heat will damage the finish.

### Notices

1. Abrasive cleaners will damage this product.
2. Never use oven cleaner to clean any part of grill.

### Cleaning Surfaces

1. Wipe surfaces clean with mild dishwashing detergent or baking soda.
2. For stubborn surfaces use a citrus based degreaser and a nylon scrubbing brush.
3. Rinse clean with water.

### Cleaning Burner

1. Turn regulator/control knob to "LOCK/OFF" and remove LP gas tank. Wait for grill to fully cool (about 45 min.).
2. Remove regulator/control knob and wind guard.
3. Remove cooking grid and heat plate.
4. Disconnect wire from igniter, if applicable.
5. Remove burner.
6. Remove all food residue and dirt on burner surface.
7. Clean inlet of burner with small bottle brush or compressed air.
8. Clean any clogged ports with a stiff wire (such as an opened paper clip)
9. Inspect burner for any damage (cracks or holes). If damage is found, replace with new burner from manufacturer.
10. Reinstall burner. Reconnect igniter (if applicable), wind guard and regulator/control knob.
11. Replace heat plate and cooking grid.
12. Perform leak test.

## Cleaning and Care

### Before Storing

1. Turn regulator/control knob to "LOCK/OFF" and remove LP gas tank.
2. Clean all surfaces.
3. Lightly coat the burners with cooking oil to prevent excess rusting.
4. If storing the grill indoors, disconnect the LP gas tank, see "Disconnect LP Gas Tank" section, and leave the LP gas tank OUTDOORS.
5. Place the protective cap cover on the LP tank and store the tank outdoors in a well ventilated area out of direct sunlight.
6. If storing the grill outdoors, cover the grill with a grill cover for protection from the weather.

## Product Registration

For faster warranty service, register your product immediately at [www.bluerhino.com](http://www.bluerhino.com) or call 1.800.762.1142.

## Limited Warranty

Blue Rhino Global Sourcing, Inc ("Vendor") warrants to the original retail purchaser of this product, and to no other person, that if this product is assembled and operated in accordance with the printed instructions accompanying it, then for a period of one (1) year from the date of purchase, all parts in such product shall be free from defects in material and workmanship. Vendor may require reasonable proof of your date of purchase. Therefore, you should retain your sales slip or invoice. This Limited Warranty shall be limited to the repair or replacement of parts, which prove defective under normal use and service and which Vendor shall determine in its reasonable discretion upon examination to be defective. Before returning any parts, you should contact Vendor's Customer Service Department using the contact information listed below. If Vendor confirms, after examination, a defect covered by this Limited Warranty in any returned part, and if Vendor approves the claim, Vendor will replace such defective part without charge. If you return defective parts, transportation charges must be prepaid by you. Vendor will return replacement parts to the original retail purchaser, freight or postage prepaid.

This Limited Warranty does not cover any failures or operating difficulties due to accident, abuse, misuse, alteration, misapplication, improper installation or improper maintenance or service by you or any third party, or failure to perform normal and routine maintenance on the product as set out in this owner's manual. In addition, the Limited Warranty does not cover damage to the finish, such as scratches, dents, discoloration, rust or other weather damage, after purchase.

This Limited Warranty is in lieu of all other express warranties. Vendor disclaims all warranties for products that are purchased from sellers other than authorized retailers or distributors, including the warranty of merchantability or the warranty of fitness for a particular purpose. VENDOR ALSO DISCLAIMS ANY AND ALL IMPLIED WARRANTIES, INCLUDING WITHOUT LIMITATION THE IMPLIED WARRANTIES OF MERCHANTABILITY AND FITNESS FOR A PARTICULAR PURPOSE. VENDOR SHALL HAVE NO LIABILITY TO PURCHASER OR ANY THIRD PARTY FOR ANY SPECIAL, INDIRECT, PUNITIVE, INCIDENTAL, OR CONSEQUENTIAL DAMAGES. Vendor further disclaims any implied or express warranty of, and assumes no responsibility for, defects in workmanship caused by third parties.

This Limited Warranty gives the purchaser specific legal rights; a purchaser may have other rights depending upon where he or she lives. Some jurisdictions do not allow the exclusion or limitation of special, incidental or consequential damages, or limitations on how long a warranty lasts, so the above exclusion and limitations may not apply to everyone.

Vendor does not authorize any person or company to assume for it any other obligation or liability in connection with the sale, installation, use, removal, return, or replacement of its equipment, and no such representations are binding on Vendor.

Blue Rhino Global Sourcing, Inc  
Winston-Salem, North Carolina USA  
(800) 762-1142



Contact 1.800.762.1142 for assistance. Do not return to place of purchase.

## Troubleshooting

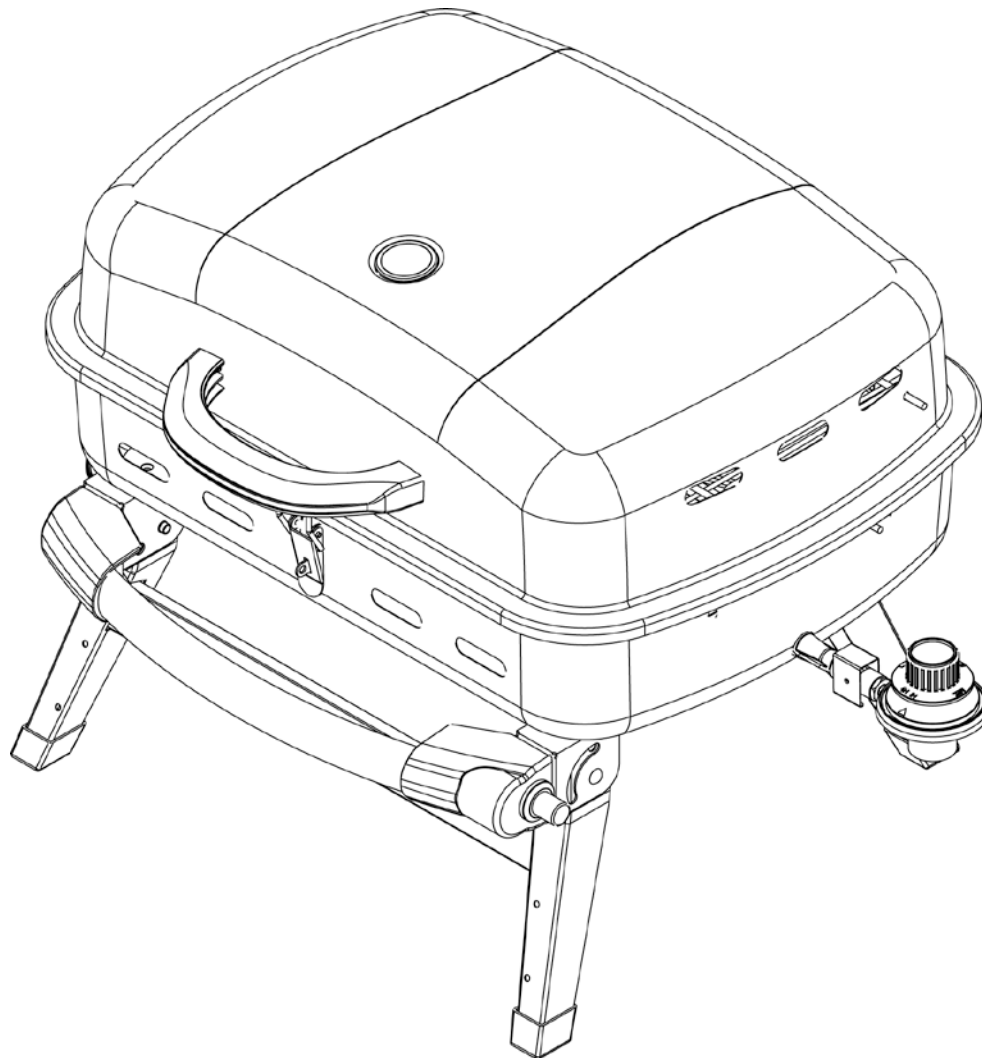
Problem	Possible Cause	Prevention/Cure
<b>Burner will not light using ignitor (if included)</b>	LP gas tank is low or empty	Replace LP gas tank
	LP gas leak	Follow "Checking for Leaks" instructions in the owner's manual
	Wires or electrode covered with cooking residue	Clean wire and/or electrode with rubbing alcohol
	Electrode and burners are wet	Wipe dry with cloth
	Electrode cracked or broken - sparks at crack	Replace electrode, please call our Customer Care at 1.800.762.1142
	Wire loose or disconnected	Reconnect wire or replace electrode/wire assembly, please call our Customer Care at 1.800.762.1142
	Wire is shorting (sparking) between ignitor and electrode	Replace ignitor wire/electrode assembly, please call our Customer Care at 1.800.762.1142
	Bad ignitor	Replace ignitor, please call our Customer Care at 1.800.762.1142
<b>Burner will not light with match</b>	No gas flow	Check if LP gas tank is empty A. If empty, replace B. If LP gas tank is not empty, refer to "Sudden drop in gas flow or reduced flame height"
	LP gas tank is low or empty	Replace LP gas tank
	LP gas leak	Follow "Checking for Leaks" instructions in the owner's manual
	Coupling nut and regulator not fully connected	Turning the coupling nut about one-half to three quarters additional turn until solid stop. <b>Tighten by hand only-do not use tools</b>
	Obstruction of gas flow	Clear burner tubes, per cleaning instruction on <a href="http://www.bluerhino.com">www.bluerhino.com</a>
	Spider webs or insect nest in venturi	Clean venturi and burner tube, per cleaning instruction on <a href="http://www.bluerhino.com">www.bluerhino.com</a>
	Burner ports clogged or blocked	Clean burner ports, per cleaning instruction on <a href="http://www.bluerhino.com">www.bluerhino.com</a>
<b>Sudden drop in gas flow or reduced flame height</b>	Out of gas	Replace LP gas tank
	Excess flow valve tripped; safety device may have been activated	1. Turn regulator/control knob to "LOCK/OFF" 2. Wait 30 seconds and light grill 3. If flames are still too low, reset the excessive flow safety device: a. Turn regulator/control knob "OFF" b. Remove LP gas tank c. Wait 1 minute d. Attach LP gas tank e. Perform a leak check per "Checking for Leaks" instructions in the owner's manual f. Light grill per "Lighting Instructions" instructions in the owner's manual
<b>Irregular flame pattern, flame does not run the full length of burner</b>	Burner ports are clogged or blocked	Clean burner ports, per cleaning instruction on <a href="http://www.bluerhino.com">www.bluerhino.com</a>
<b>Flame is yellow or orange</b>	New burner may have residual manufacturing oils	Burn grill for 15 minutes on "HIGH" with the lid closed
	Spider webs or insect nest in venturi	Clean venturi, per cleaning instruction on <a href="http://www.bluerhino.com">www.bluerhino.com</a>
	Food residue, grease, etc.	Clean burner, per cleaning instruction on <a href="http://www.bluerhino.com">www.bluerhino.com</a>
	Poor alignment of valve to burner venturi	Assure burner venturi is properly engaged with valve
<b>Flame blow out</b>	High or gusting winds	Do not use grill in high winds
	Low on LP gas	Replace LP gas tank
	Excess flow valve tripped; safety device may have been activated	Refer to "Sudden drop in gas flow or reduced flame height"
<b>Flare-up</b>	Grease buildup	Remove and clean all grill parts per "Cleaning and Care" instructions in the owner's manual
	Excess fat in meat	Trim fat from meat before grilling
	Excessive cooking temperature	Adjust (lower) cooking temperature
<b>Persistent grease fire</b>	Grease trapped by food buildup around burner system	1. Turn control knob to "OFF" 2. Leave lid in closed position and let fire burn out 3. After grill cools, remove and clean all parts per "Cleaning and Care" instructions in the owner's manual
<b>Flashback (fire in burner tube(s))</b>	Burner and/or burner tubes are blocked	Clean burner and/or burner tube, per cleaning instruction on <a href="http://www.bluerhino.com">www.bluerhino.com</a>
<b>Inside of lid is peeling (like paint peeling)</b>	The lid is stainless steel, not painted	Baked on grease buildup has turned to carbon and is flaking off, clean thoroughly per "Cleaning and Care" instructions in the owner's manual
	The lid is coated/painted	This can be from baked on grease buildup, that has turned into carbon and is flaking off Clean thoroughly, per "Cleaning and Care" instructions in the owner's manual After cleaning, if you can see steel, please call out Customer Care at 1.800.762.1142

For more assistance please visit us online at [www.bluerhino.com](http://www.bluerhino.com) or call 1.800.762.1142.



## Barbecue d'extérieur au propane

Modèles n° GBT926W-C et GBT926W1-C



**AVERTISSEMENT**  
**POUR VOTRE SÉCURITÉ:**  
**Pour usage à l'extérieur seulement**  
 (hors de tout abri clos)

**AVERTISSEMENT**  
**POUR VOTRE SÉCURITÉ:**

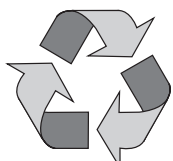
- 1. Toute installation défectueuse ou modification incorrecte ainsi que tout mauvais réglage ou entretien incorrect risque d'entraîner des blessures ou des dégâts matériels.**
- 2. Lire complètement les instructions d'installation, d'utilisation et d'entretien avant de procéder à la maintenance de l'appareil ou à son entretien.**
- 3. Le non-respect de ces consignes risque de provoquer un incendie ou une explosion et entraîner des dégâts matériels, des blessures graves voire la mort.**

Conservez ces instructions afin de pouvoir les consulter ultérieurement. Si vous êtes en train d'assembler cet appareil pour une autre personne, veuillez lui fournir le manuel afin qu'elle puisse le lire et le consulter plus tard.

### Table des matières

Consignes de sécurité importantes . . . . .	Page 2
Vue éclatée des pièces et quincaillerie . . . . .	3
Instructions d'assemblage . . . . .	4
Fonctionnement . . . . .	7
Rechercher une fuite potentielle . . . . .	7
Utiliser le barbecue pour la première fois . . . . .	7
Allumer le barbecue . . . . .	7
Éteindre le barbecue . . . . .	7
Cuisson . . . . .	7
Retours de flammes . . . . .	8
Conseils . . . . .	8
Nettoyage et entretien . . . . .	8
Enregistrement de l'appareil . . . . .	8
Garantie limitée . . . . .	9
Guide de dépannage . . . . .	10

L'utilisation et l'installation de cet appareil doivent être conformes aux codes locaux. En l'absence de codes locaux, suivre le *Code national du gaz combustible, la norme ANSI Z223.1/NFPA 54, le Code d'installation du gaz naturel et du propane, CSA B149.1, ou le Code de stockage et de manipulation du propane, B149.2., ou la norme pour véhicules récréatifs ANSI A 119.2/NFPA 1192, la réglementation CSA Z240 pour séries VR, et le Code sur les véhicules récréatifs selon le cas.*



Fabriqué à partir de 70% de bagasse de canne à sucre (résidu de pulpe de canne à sucre sans danger pour l'environnement)



Fabriqué en Chine pour:  
 Blue Rhino Global Sourcing, Inc.  
 Winston-Salem, NC 27105 États-Unis  
 1.800.762.1142, www.bluerhino.com

© 2010 Blue Rhino Global Sourcing, Inc. Tous droits réservés.  
 UniFlame® est une marque déposée de Blue Rhino Global Sourcing, Inc. Tous droits réservés.



**DANGER**


En cas d'odeur de gaz :

1. Fermer le robinet de gaz alimentant l'appareil.
2. Éteindre toute flamme.
3. Ouvrir le couvercle.
4. Si l'odeur persiste, contacter immédiatement le fournisseur de bouteilles de gaz ou les pompiers.

**AVERTISSEMENT**

POUR VOTRE SÉCURITÉ:



1. Ne pas utiliser ni entreposer d'essence ou de liquides présentant des vapeurs inflammables dans le voisinage de cet appareil ou de tout autre appareil.
2. Ne pas entreposer une bouteille de propane de rechange dans le voisinage de cet appareil ou de tout autre appareil.

**DANGER**


Ne jamais laisser un barbecue allumé sans surveillance.

**▲ DANGER:** Le non-respect des avis de danger, des mises en garde et des consignes de sécurité de ce manuel risque de provoquer un incendie ou une explosion et d'entraîner des dégâts matériels, des blessures graves voire la mort.

**▲ AVERTISSEMENT:**

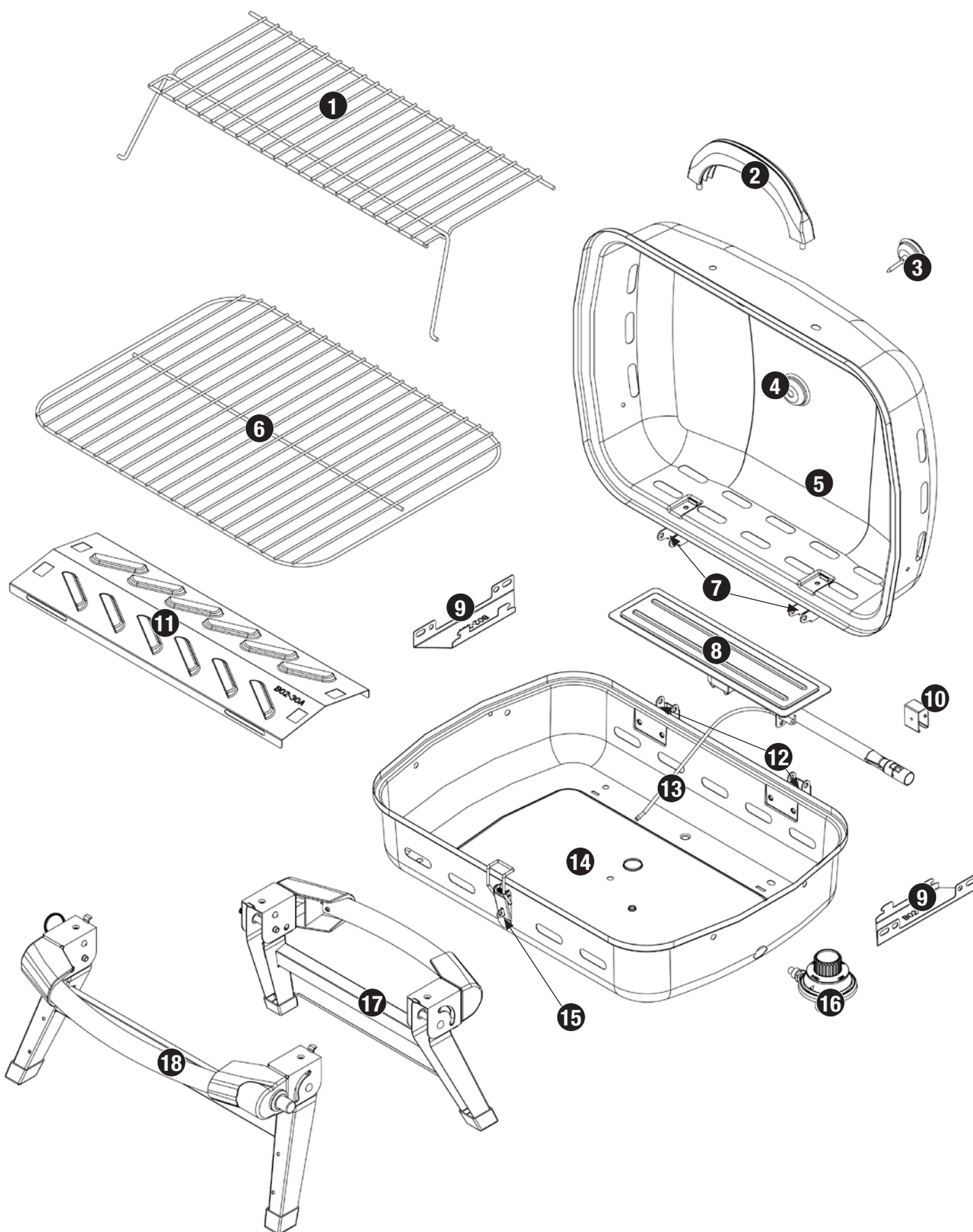
- ▲ Ce barbecue doit être utilisé uniquement à l'extérieur et ne doit pas être utilisé dans un immeuble, un garage ou tout autre espace clos.
- ▲ Ce barbecue N'est PAS destiné à un usage commercial.
- ▲ Il ne s'agit en aucun cas d'un barbecue de table! Par conséquent, ne jamais placer ce barbecue sur une table quelconque.
- ▲ Ce barbecue a été homologué uniquement pour être utilisé aux États-Unis et au Canada en toute sécurité. Ne pas modifier ce barbecue afin de pouvoir l'utiliser autre part. Toute modification ou altération présentera un danger de fonctionnement et entraînera l'annulation de la garantie.
- ▲ NE PAS utiliser ou allumer cet appareil à moins de 2,4 m de tout mur, construction ou immeuble.
- ▲ Avis aux résidents d'appartements: Consultez la gérance pour connaître la réglementation et les codes de prévention des incendies concernant l'utilisation des barbecues au propane dans votre immeuble. Si autorisé, utilisez le barbecue à l'extérieur au rez-de-chaussée en laissant une distance de sécurité de 8 pieds (2,4 m) des murs ou des rambarde. Ne pas utiliser sur ou sous un balcon.
- ▲ Ce barbecue doit être utilisé uniquement avec du propane liquide (PL). Toute utilisation de gaz naturel avec ce barbecue ou tentative de conversion au gaz naturel de ce barbecue est dangereuse et rendra la garantie nulle et non avenue.
- ▲ Caractéristiques du propane (PL) :a
  - a. Le propane est un gaz inflammable et dangereux si ce dernier n'est pas manipulé correctement. Il est indispensable de connaître les dangers encourus avant d'utiliser tout appareil fonctionnant au propane.
  - b. Le propane est un gaz inflammable qui risque d'exploser sous pression. Le propane qui risque d'exploser sous pression, est plus lourd que l'air, se dépose et demeure au sol.
  - c. Le propane à l'état naturel est inodore. Pour votre sécurité, un odorisant ayant l'odeur de choux avariés a été ajouté.
  - d. Tout contact du propane avec la peau risque d'entraîner des brûlures.
- ▲ Seules les bouteilles marquées « propane » peuvent être utilisées.
- ▲ La bouteille de propane doit être fabriquée, marquée et mise en service conformément à la *Réglementation sur les bouteilles de gaz de pétrole liquéfié établie par le Ministère des transports des États-Unis (DOT) ou répondre à la Norme nationale canadienne CAN/CSA-B339 sur les bouteilles, sphères et tubes destinés au transport des marchandises dangereuses et la commission.*
- ▲ La bouteille de propane doit être placée et homologuée afin de faciliter l'extraction des vapeurs de gaz.
- ▲ Toute bouteille bosselée ou présentant des traces de rouille risque d'être dangereuse et devrait être vérifiée par votre fournisseur de bouteilles de propane avant de l'utiliser.
- ▲ Ne pas laisser tomber la bouteille ni la manipuler brusquement ou brutalement!
- ▲ Les bouteilles de propane doivent être stockées à l'extérieur, hors de portée des enfants et ne doivent pas être entreposées dans un bâtiment, un garage ou dans tout autre lieu fermé. Les bouteilles de gaz ne doivent jamais être entreposées dans un endroit où la température risque de dépasser 51,6°C (125°F)!
- ▲ Ne pas introduire d'outil ni de corps étranger dans la sortie du robinet de la bouteille de gaz ni dans la soupape de sécurité. Vous risquez d'endommager la soupape et de provoquer une fuite. Toute fuite de propane risque de provoquer une explosion ou un incendie et d'entraîner des blessures graves voire la mort.
- ▲ Ne pas bloquer ni boucher les trous sur les côtés ou à l'arrière du barbecue.
- ▲ Ne jamais essayer de raccorder ce barbecue au circuit de propane d'une tente-caravane, autocaravane ou de votre maison.
- ▲ Ne jamais entreposer une bouteille de propane de rechange sous ou à proximité de cet appareil.
- ▲ La prise d'alcool, de médicaments ou de drogues risque de nuire à l'aptitude de l'utilisateur à assembler ou à utiliser cet appareil en toute sécurité.
- ▲ La présence de fortes odeurs, ou si vous avez une rhume ou des sinus bouchés, risque de nuire à la détection d'une fuite de propane. Faites preuve de précaution et de bon sens lorsque vous effectuez un test d'étanchéité et recherchez une fuite.
- ▲ Ne jamais utiliser de charbon de bois, de liquide allume-barbecue, de pierres de lave, d'essence, de pétrole ou d'alcool avec ce barbecue.
- ▲ Votre barbecue a été vérifié en usine afin de s'assurer que les raccords ne présentent aucune fuite. Vérifier à nouveau tous les raccords car il est possible qu'ils se soient desserrés lors du transport.
- ▲ Vérifier que l'appareil ne présente aucune fuite même si ce dernier a été assemblé pour vous par quelqu'un d'autre.
- ▲ Ne pas utiliser le barbecue en cas de fuite de gaz. Toute fuite de gaz risque de provoquer un incendie ou une explosion.
- ▲ Il est obligatoire de suivre toutes les procédures de détection de fuite avant d'utiliser cet appareil. Afin d'éviter tout risque d'incendie et d'explosion lorsque l'on recherche une fuite :
  - a. Vérifier que le circuit ne présente pas de fuite en effectuant un essai d'étanchéité avant d'allumer le barbecue à chaque fois que la bouteille de gaz est branchée afin de l'utiliser.
  - b. Ne pas utiliser ni laisser de sources d'ignition à proximité du barbecue lorsque l'on recherche une fuite. Interdiction de fumer.
  - c. Effectuer le test d'étanchéité en plein air, dans un emplacement bien aéré.
  - d. Ne pas utiliser d'allumettes, de briquets ou de flamme nue afin de rechercher une fuite.
  - e. Ne pas utiliser le barbecue avant d'avoir réparé toutes les fuites.
- ▲ S'il s'avère impossible d'arrêter une fuite, débrancher la bouteille de propane. Contacter notre service à la clientèle au 1.800.762.1142, un réparateur d'appareils à gaz ou votre fournisseur de bouteilles de propane.
- ▲ Ne pas utiliser le barbecue en présence de vapeurs et d'émanations explosives. Veiller à ce que la zone autour du barbecue demeure dégagée et dépourvue de matières combustibles, d'essence et d'autres liquides et vapeurs inflammables.
- ▲ S'assurer que toute surface et matière combustible se trouve toujours à une distance minimum de 91 cm (36 po.) du barbecue. NE PAS utiliser ce barbecue sous un abri, une structure suspendue ou en saillie ou à proximité de toute construction combustible non protégée.
- ▲ Il est primordial que le compartiment de la commande du barbecue, les brûleurs et les orifices permettant la circulation de l'air demeurent propres. Vérifier le barbecue avant chaque utilisation.
- ▲ Ne modifier en aucune façon le barbecue.
- ▲ Ne pas utiliser le barbecue à moins qu'il ne soit COMPLÈTEMENT assemblé et que les pièces ne soient toutes fixées et serrées.
- ▲ Ce barbecue doit être vérifié et nettoyé en entier régulièrement.
- ▲ Ne modifier en aucune façon le barbecue. Toute modification ou altération entraînera l'annulation de la garantie.
- ▲ Utiliser uniquement le régulateur fourni. Toute pièce de rechange doit être celle spécifiée par le fabricant.
- ▲ Utiliser uniquement des pièces agréées de l'usine Blue Rhino Global Sourcing, Inc. L'emploi de toute pièce non agréée peut être dangereuse et entraînera l'annulation de la garantie.
- ▲ Ne pas tenter de réparer ni de modifier le tuyau et son régulateur si vous pensez avoir « découvert » un défaut. Toute modification ou altération de cet ensemble entraînera l'annulation de la garantie et risque de provoquer une fuite de gaz et un incendie. Utilisez uniquement les pièces de rechange agréées par le fabricant.
- ▲ Ne pas utiliser cet appareil avant de lire le chapitre « Fonctionnement » de ce manuel.
- ▲ Ne pas toucher les pièces métalliques du barbecue avant qu'il n'ait complètement refroidi (attendre environ 45 minutes) afin de ne pas se brûler à moins de porter des vêtements de protection (gants, maniques, attirail de barbecue, etc.).
- ▲ Ne pas installer ni utiliser cet appareil à bord d'un bateau ou d'un véhicule récréatif.
- ▲ Ne pas utiliser le barbecue à l'intérieur du coffre d'un véhicule, d'une voiture familiale, camionnette, véhicule utilitaire sport (VUS) ou véhicule récréatif (VR).
- ▲ Lors de la cuisson, conserver toujours à portée de main des articles ou matières capables d'éteindre le feu. En cas de feu de graisse, ne pas tenter d'éteindre le feu avec de l'eau. Utiliser un extincteur à poudre BC ou étouffer le feu avec de la terre, du sable ou du bicarbonate de soude.
- ▲ Placer les tuyaux souples de gaz le plus loin possible des surfaces chaudes et de l'égouttage des graisses brûlantes.
- ▲ Ne pas utiliser le barbecue par grand vent.
- ▲ Ne jamais se pencher au-dessus du barbecue pour l'allumer.
- ▲ Ne jamais laisser un barbecue allumé sans surveillance surtout si des enfants ou des animaux domestiques et de compagnie se trouvent à proximité.
- ▲ Ne pas essayer de déplacer le barbecue quand il est allumé. Laisser le barbecue refroidir (environ 45 minutes) avant de le déplacer ou de le remiser.
- ▲ Le remisage du barbecue à l'intérieur est autorisé seulement si la bouteille a été débranchée et retirée de l'appareil et correctement entreposée à l'extérieur.
- ▲ Veiller à toujours ouvrir le couvercle du barbecue lentement et avec précaution en portant un gant de protection ou une manique car la chaleur et la vapeur piégées à l'intérieur risquent de gravement vous brûler.
- ▲ Ne pas tenter de débrancher le régulateur de gaz de la bouteille ou de débrancher une pièce quelconque de l'alimentation du gaz lorsque le barbecue est allumé
- ▲ Débrancher la bouteille lorsqu'elle n'est pas utilisée.
- ▲ Placer toujours le barbecue sur une surface plane, dure et non combustible. Il est déconseillé de le placer sur de l'asphalte ou du bitume.
- ▲ Ne pas utiliser cet appareil directement sur une terrasse en bois.
- ▲ Veiller à ce que les câbles et cordons électriques demeurent toujours loin du barbecue lorsqu'il est chaud.
- ▲ Ne pas utiliser le barbecue pour se chauffer ou pour cuisiner à l'intérieur. Des émanations TOXIQUES peuvent s'accumuler et provoquer l'asphyxie.
- ▲ Après une période de remisage ou si le barbecue n'a pas été utilisé pour une certaine période, s'assurer qu'il n'y a pas de fuite et que les brûleurs ne sont pas bouchés.
- ▲ Le fait de ne pas maintenir le couvercle ouvert lors de l'allumage des brûleurs du barbecue ou de ne pas attendre 5 minutes afin que le gaz se dissipe au cas où le barbecue ne s'allume pas, risque de provoquer un retour de flammes explosif.
- ▲ Ne jamais utiliser le barbecue sans avoir installé auparavant le diffuseur de chaleur.
- ▲ Veiller à toujours utiliser un thermomètre à viande afin de s'assurer que la nourriture est cuite à une température adéquate.
- ▲ Porter des gants de protection pour assembler cet article.
- ▲ Ne pas forcer les pièces les unes dans les autres afin d'éviter toute blessure et éviter d'endommager cet article.
- ▲ Ne jamais recouvrir la zone de cuisson avec du papier d'aluminium.
- ▲ Les consignes ci-dessus doivent être strictement respectées et le non-respect de ces consignes risque de provoquer des dégâts matériels ou d'entraîner des blessures graves voire la mort.

### Liste des pièces

1	Grille de réchauffage	55-09-333
2	Poignée du couvercle	55-09-327
3	Indicateur de température	55-07-233
4	Support du indicateur de température	55-09-378
5	Couvercle	55-09-442 (W) 55-10-322 (W1)
6	Grille de cuisson	55-09-325
7	Charnière supérieure (2)*	55-15-330
8	Brûleur	55-07-214
9	Support du diffuseur de chaleur (2)	55-09-330
10	Pare-vent	55-09-254
11	Diffuseur de chaleur	55-09-329
12	Charnière inférieure (2)*	55-15-329
13	Fil de l'allumeur*	55-15-060
14	Cuve du barbecue	55-09-324
15	Verrou*	55-09-443
16	Bouton de commande du régulateur	55-14-986
17	Pied arrière	55-10-349
18	Pied avant	55-09-326

\* Fourni préassemblé

### Vue éclatée

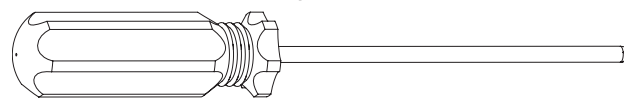


### Quincaillerie

A	Vis	Nickelée, à tête bombée Phillips M6x15	4 pcs
B	Boulon à ailettes	Nickelé, M6x8	5 pcs
C	Écrou à ailettes	Nickelé, M6	6 pcs
D	Rondelle	Nickelée, ø6,4	7 pcs
E	Rondelle	Résistante à la chaleur ø6	2 pcs
F	Rondelle de blocage	Nickelée, ø6	7 pcs
G	Goupille	Nickelée, ø5 x 32	2 pcs
H	Goupille fendue	Noir, ø1,2 x 30	2 pcs

### Outils requis pour l'assemblage (non fournis)

Tournevis cruciforme Phillips n° 2 1 pc





## Instructions d'assemblage

### 1 NE PAS RETOURNER AU MAGASIN AVEC CET ARTICLE.

Pour toute assistance technique, appelez le numéro sans frais **1.800.762.1142**. Faites en sorte que votre manuel d'utilisation et le modèle numéro soient à portée de main afin de pouvoir vous y référer.

Pour faciliter l'assemblage:

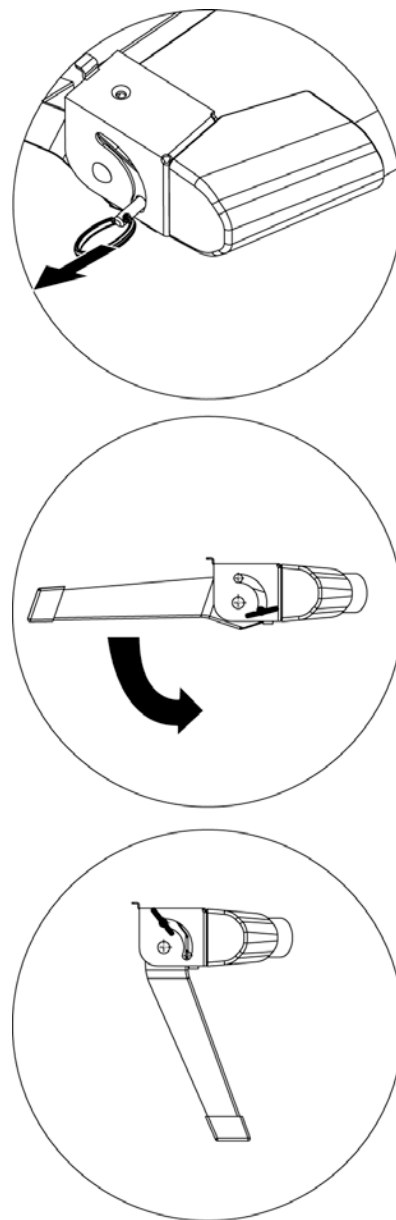
- Pour éviter de perdre des petites pièces ou la quincaillerie d'installation, assemblez cet article sur une surface dure et plane qui ne comporte pas de trous ni de fissures.
- Prévoyez une surface de travail suffisamment grande afin d'étaler toutes les pièces et la quincaillerie d'installation.
- Lorsque nécessaire, serrez toute les fixations et la visserie en premier, puis une fois l'étape terminée, serrez-les complètement.
- Suivez toutes les étapes dans l'ordre afin d'assembler correctement cet article.

Pour effectuer l'assemblage, vous aurez besoin des choses suivantes:

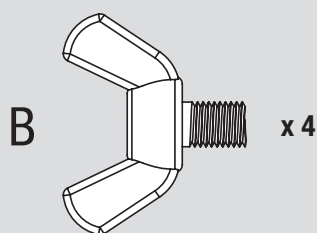
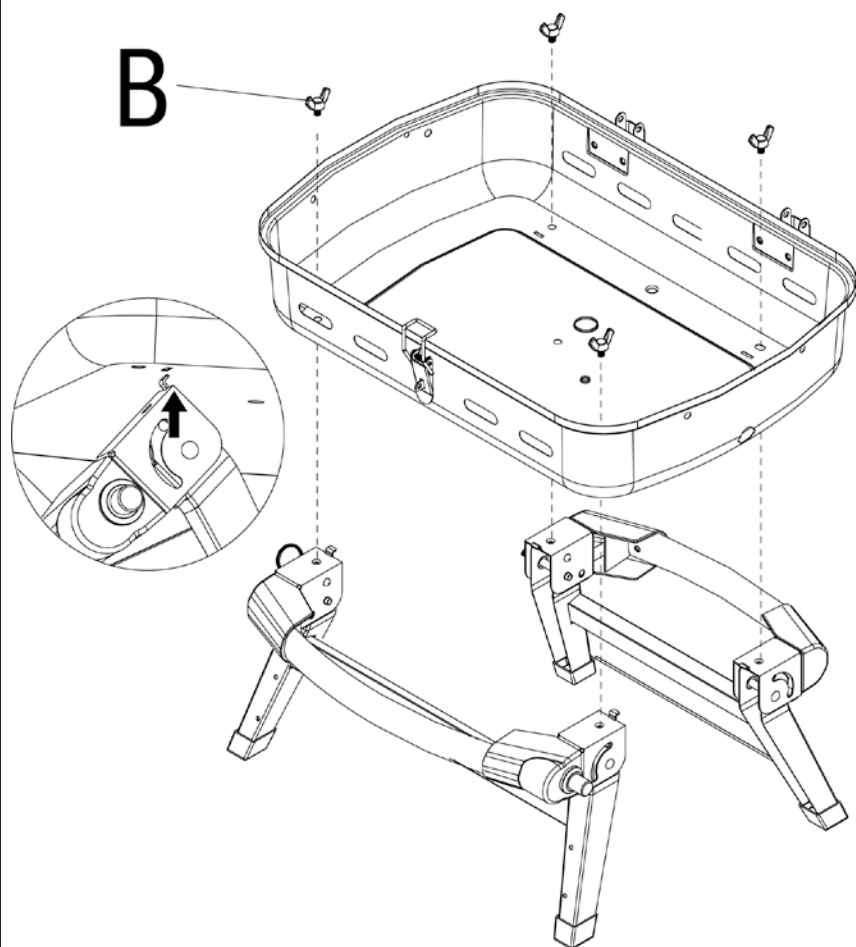
- (1) solution de détection de fuites (voir instructions sur la préparation de la solution au chapitre « Fonctionnement »).
- (1) bouteille de propane de 14,1 onces ou (1) bouteille de 16,4 onces (1 livre ou 465 g)

Temps d'assemblage: environ 30 minutes.

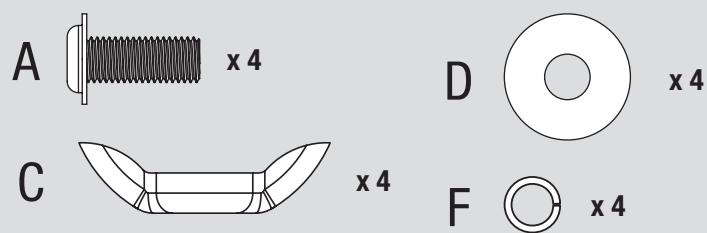
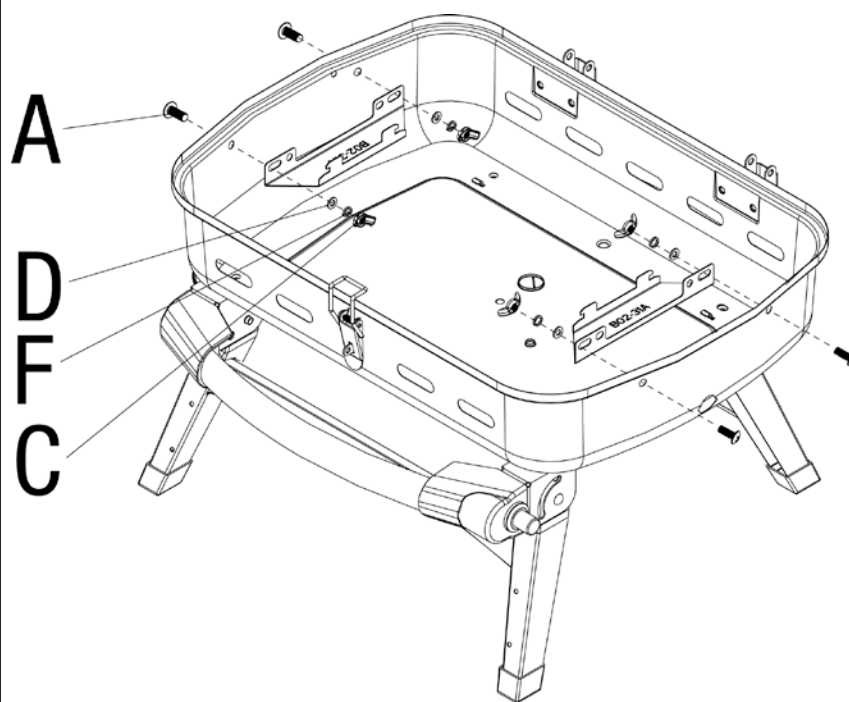
### 2 Déplier les pieds



### 3 Fixer les pieds



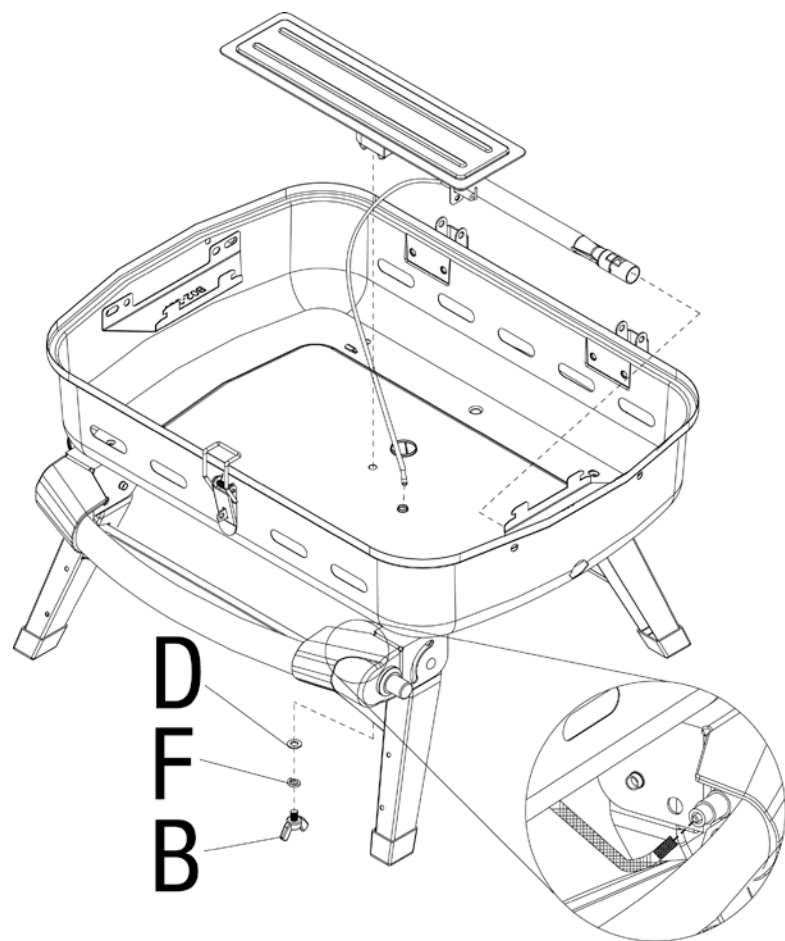
### 4 Fixer le support du diffuseur de chaleur





5

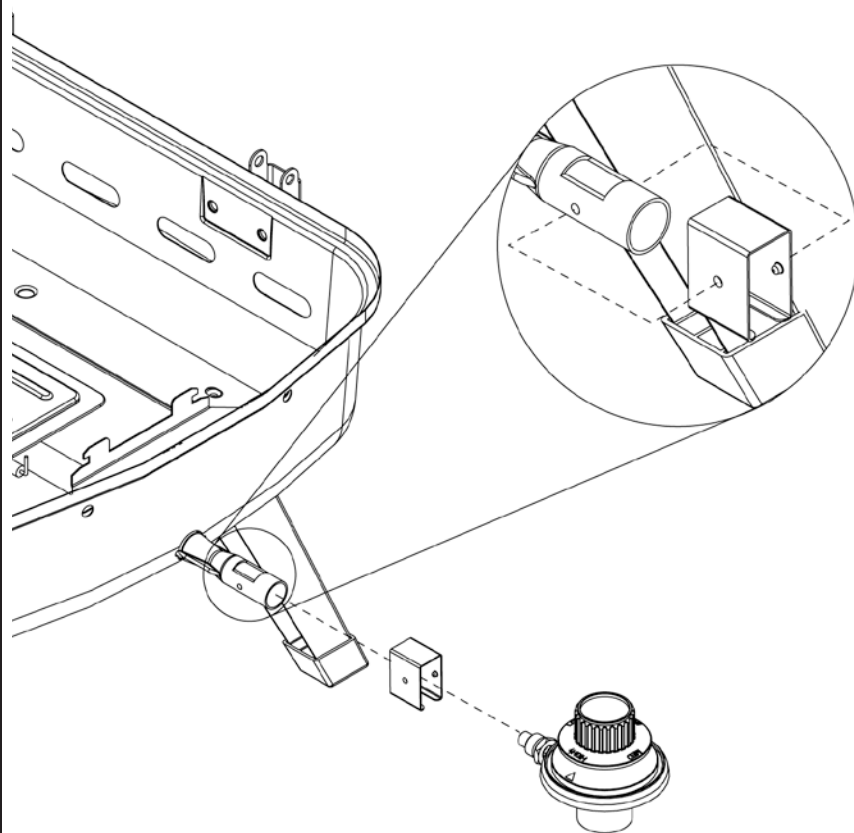
Fixer le brûleur et le fil de l'allumeur



6

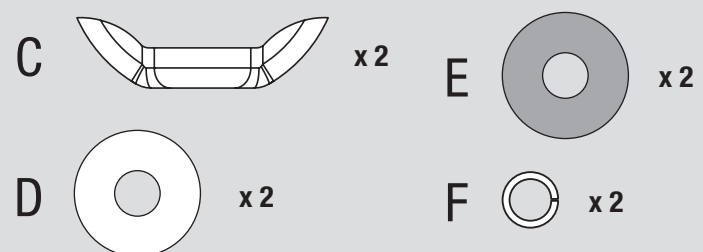
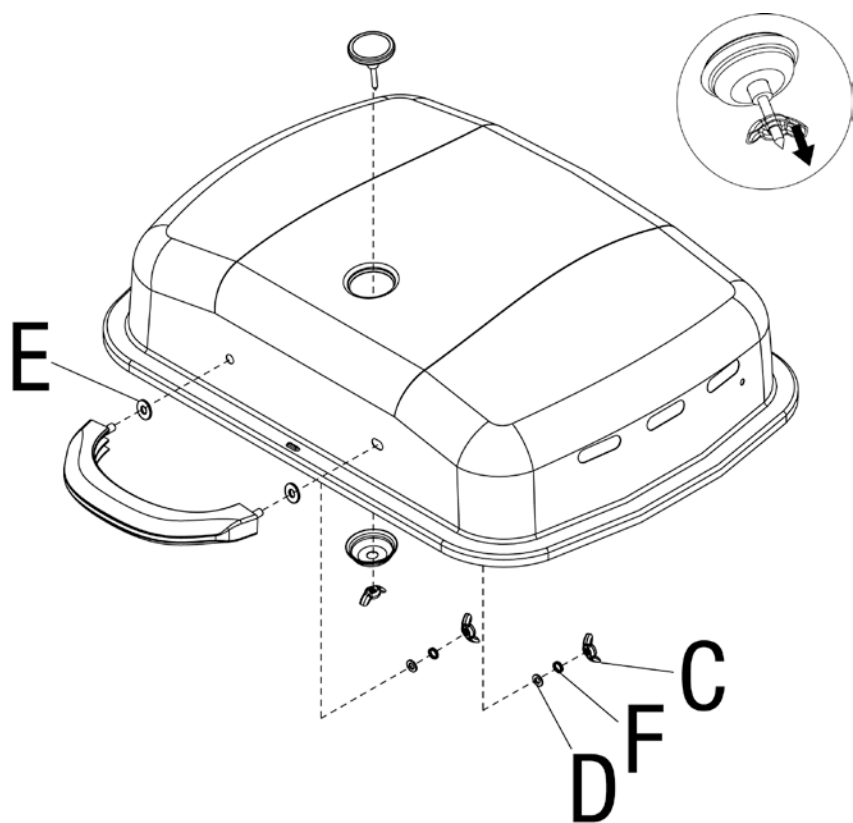
Fixer le pare-vent et le bouton de commande du régulateur

Remarque: Une fois fixé, le bouton de commande du régulateur tournera librement afin de pouvoir accueillir la bouteille de propane.



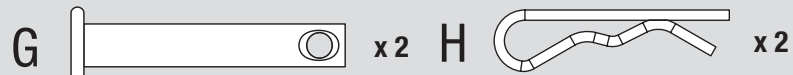
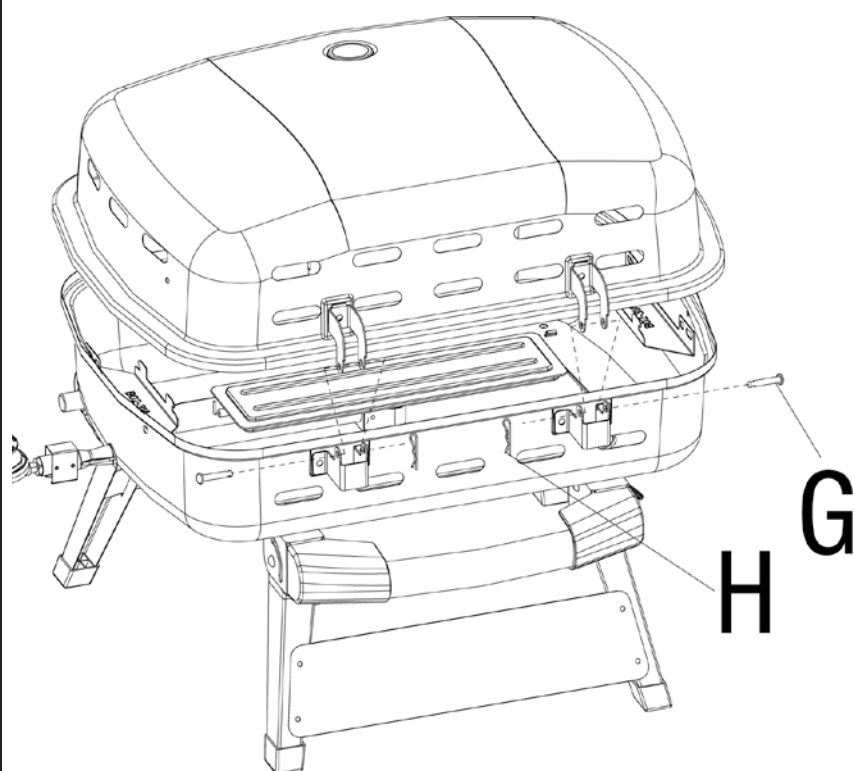
7

Fixer la poignée du couvercle, le support de l'indicateur de température et l'indicateur de température



8

Fixer le couvercle



**Instructions d'assemblage (suite)**

### 9 Placer la grille de réchauffage

### 10 Placer le diffuseur de chaleur et la grille de cuisson

### 11 Verrouiller le couvercle

### 12 Replier les pieds

*Remarque: Assurez-vous de toujours verrouiller le couvercle avant de replier les pieds.*

### Déverrouiller le couvercle

### Déplier les pieds

*Remarque: Assurez-vous de toujours ouvrir complètement les pieds avant d'allumer l'appareil.*



## Fonctionnement

Ce barbecue a été conçu afin de fonctionner avec une bouteille de propane jetable (DOT 39) d'une livre (entre 450 et 465 g) de 7 3/8 po. (19 cm) de hauteur, de 14,1 ou 16,4 onces. (Voir Illustration 1)

**NE PAS TENTER DE REMPLIR UNE BOUTEILLE DE PROPANE 1 LB. (14,1 ou 16,4 onces)!**

### Brancher la bouteille de propane

Utilisez uniquement des bouteilles marquées « Propane ».

Remarque: Du givre risque de se former sur certaines bouteilles 1 lb. (450 g) lorsqu'elles sont vides.

1. Assurez-vous que le bouton de commande du régulateur est réglé sur « LOCK OFF » (fermé et verrouillé.). Reportez-vous à l'illustration 2.
2. Lubrifiez le filetage du bouton de commande du régulateur avec de la vaseline. Faites correspondre le filetage de la bouteille de propane à celui du bouton de commande du régulateur.
3. Insérez puis tournez la bouteille de propane dans le sens des aiguilles d'une montre jusqu'à ce qu'elle soit correctement ajustée. Reportez-vous à l'illustration 3a.
4. Assurez-vous que le raccord ne présente pas de fuite en effectuant un test d'étanchéité en vous reportant au paragraphe « Rechercher une fuite potentielle ».

### Débrancher la bouteille de propane

1. Tournez le bouton de commande du régulateur sur « LOCK OFF » (fermé et verrouillé.). Reportez-vous à l'illustration 2.
2. Tournez la bouteille de propane dans le sens inverse à celui des aiguilles d'une montre jusqu'à ce qu'elle soit desserrée. Reportez-vous à l'illustration 3b.
3. Entrez la bouteille de propane dans un endroit adéquat.

### Raccordement du brûleur

Assurez-vous que le bouton de commande du régulateur est correctement raccordé au brûleur (voir Illustration 4).

Une fois l'écrou en laiton serré, tournez-le 1/4 à 1/2 tour supplémentaire. Le régulateur devrait pouvoir tourner à 360° même lorsque l'écrou est serré.

Si le barbecue a été assemblé pour vous, vérifiez visuellement le branchement au niveau du brûleur et de la soupape de commande du régulateur

Si vous avez des questions, veuillez appeler notre service à la clientèle au 1.800.762.1142.

**⚠ AVERTISSEMENT: Si vous ne vérifiez pas ce raccord et ne respectez pas ces instructions, vous risquez de provoquer un incendie ou une explosion pouvant entraîner des dégâts matériels, des blessures graves voire la mort.**

### Rechercher une fuite potentielle

1. Préparez une solution d'environ 80 ml destinée à détecter les fuites en mélangeant un volume de liquide à vaisselle et 3 volumes d'eau.
2. Vérifiez que le bouton de commande du régulateur du barbecue est « LOCK OFF » (fermé et verrouillé.). Reportez-vous à l'illustration 2.
3. À l'aide d'une cuillère ou d'une gourde, versez quelques gouttes de la solution sur tous points de raccord indiqués par un « X » (voir Illustrations 4 et 5).
4. Vérifiez si des bulles apparaissent au niveau du raccord.
  - a. Si le raccord NE présente PAS de bulles, le raccord est étanche. Essayez la solution et passez à l'étape suivante.
  - b. Si des bulles apparaissent, vous venez de découvrir une fuite.
    1. Retirez la bouteille de propane puis rebranchez-la en vous assurant que le raccord est étanche.

Illustration 1

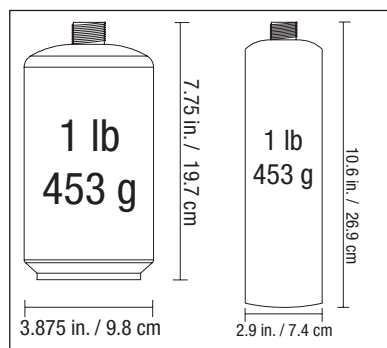


Illustration 2

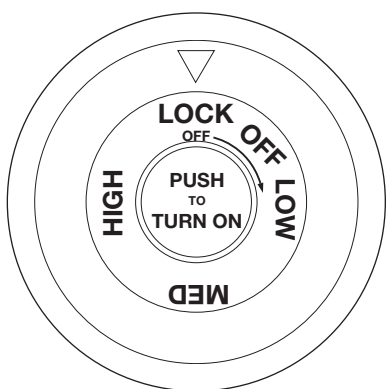


Illustration 3a

Illustration 3b

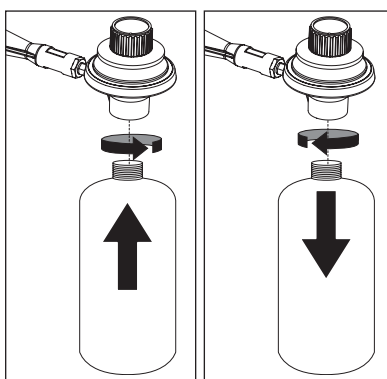


Illustration 4

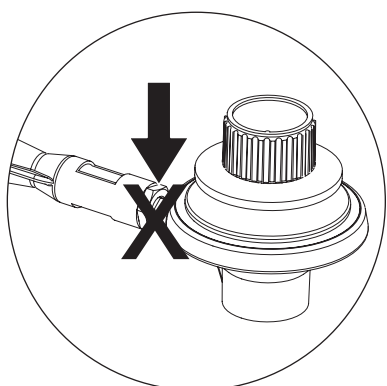


Illustration 5

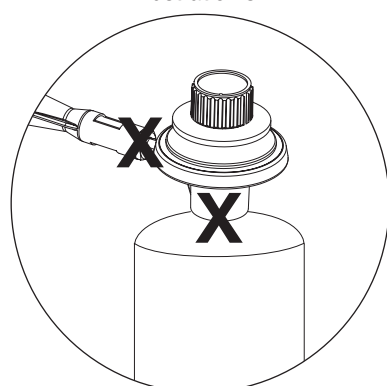
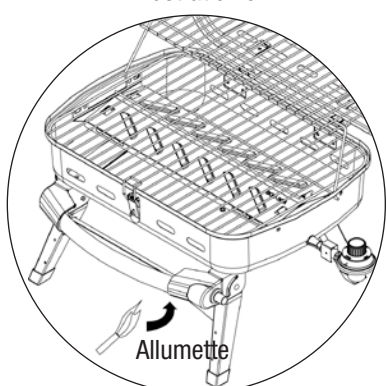
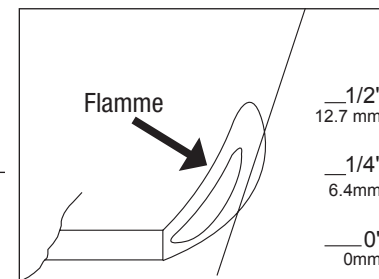


Illustration 6



2. Vérifiez à nouveau que le raccord est étanche en utilisant la solution. Si des bulles persistent après plusieurs tentatives, débranchez la bouteille de propane et appelez notre service à la clientèle au 1.800.762.1142.

Illustration 7



### Utiliser le barbecue pour la première fois

1. Assurez-vous d'avoir retiré toutes les étiquettes ainsi que tout le matériau d'emballage et le film protecteur du barbecue.
2. Avant de cuire quoi que ce soit sur le barbecue pour la première fois, faites fonctionner le barbecue pendant environ 15 minutes avec le couvercle fermé et le bouton de commande sur « High » (maximum). La chaleur « nettoiera » les pièces internes et dissipera les odeurs.

### Allumer le barbecue

- ⚠ **Attention: Assurez-vous que la zone autour du barbecue demeure dégagée et dépourvue de matières combustibles, d'essence et d'autres liquides et vapeurs inflammables.**
- ⚠ **Attention: Ne pas bloquer ni empêcher le débit d'air de combustion du propane ni de ventilation.**
- ⚠ **Attention: Assurez-vous que les tubes de venturi et des brûleurs ne sont pas bouchés par des insectes et leurs nids et nettoyez-les si nécessaire. Si la tubulure du brûleur est bouchée, ceci risque de provoquer un feu sous le barbecue.**
- ⚠ **Attention: Toute tentative d'allumage du brûleur avec le couvercle fermé peut provoquer une explosion !**

1. Assurez-vous d'avoir retiré toutes les étiquettes ainsi que tout le matériau d'emballage et le film protecteur du barbecue
  2. Ouvrez le couvercle du barbecue.
  3. Assurez-vous qu'il n'existe aucune obstruction et que rien ne gêne le débit d'air vers les brûleurs. Des araignées et autres insectes peuvent y élire domicile et boucher le brûleur et le tube venturi au niveau de l'orifice.
  4. Assurez-vous que le bouton de commande du régulateur est réglé sur « LOCK OFF » (fermé et verrouillé.). Reportez-vous à l'illustration 2.
  5. Tournez le bouton de commande du régulateur sur « HIGH » (max).
  6. Pressz le bouton de l'allumeur plusieurs fois pour allumer le brûleur.
  7. Si l'allumage ne se produit pas dans les 5 secondes suivantes, tournez le bouton de réglage du brûleur à la position « LOCK/OFF » (fermé et verrouillé), attendez 5 minutes et reprenez la procédure d'allumage depuis le début.
  8. Si l'allumeur ne parvient pas à allumer le brûleur, utilisez une allumette allumée afin d'allumer manuellement le brûleur. Accédez au brûleur en introduisant l'allumette à travers le fond de la cuve comme illustré (voir illustration 6).
  9. Après avoir allumé le brûleur, veuillez observer la flamme et vérifiez que tous les orifices du brûleur sont allumés et que la hauteur de la flamme correspond à celle de l'illustration (voir illustration 7).
- ⚠ **Attention: Si la flamme du brûleur s'éteint lors du fonctionnement du barbecue, fermez immédiatement le gaz en tournant le bouton de commande du régulateur sur « OFF » (arrêt). et ouvrez le couvercle afin que le gaz se dissipe et attendez 5 minutes avant de tenter à nouveau d'allumer le barbecue.**

### Éteindre le barbecue

1. Tournez le bouton de commande du régulateur sur « LOCK/OFF » (fermé et verrouillé). Voir Illustration 2.
2. Retirez la bouteille de propane et remisez-la comme il se doit.

### Cuisson

1. Ouvrez le couvercle et allumez le brûleur en suivant les instructions d'allumage.
2. Fermez le couvercle et préchauffez le barbecue en réglant le bouton de réglage sur « HIGH » (maximum).
3. Réglez les boutons de commande sur la température désirée.
4. Portez des gants de protection et utilisez des pinces de cuisine pour disposer les aliments sur les grilles de cuisson, au-dessus des brûleurs allumés.
5. Avec le couvercle ouvert ou fermé, laissez la nourriture cuire jusqu'à ce que la température interne désirée des aliments soit atteinte.
6. Éteignez le barbecue en commandant le bouton de réglage sur « LOCK OFF » (fermé et verrouillé). Retirez la bouteille de propane et remisez-la comme il se doit.

### Éliminer les retours de flamme:

- ⚠ **Attention: Il n'est pas possible d'éteindre les feux de graisse en fermant le couvercle du barbecue.**
  - **Ne pas utiliser d'eau sur un feu de graisse. La graisse risque de vous éclabousser et de provoquer des brûlures graves, des blessures et autres dégâts matériels. En cas de feu de graisse, tournez les boutons sur « LOCK OFF » (fermé et verrouillé).**



## Fonctionnement (suite)

- Ne pas laisser le barbecue sans surveillance lorsque vous préchauffez le barbecue ou brûlez des résidus de nourriture avec le bouton de commande réglé sur « HIGH » (max). Si le barbecue n'a pas été nettoyé régulièrement, vous courez le risque d'un feu de graisse qui risque d'endommager le barbecue.

**▲ AVERTISSEMENT:** Lors de la cuisson, conserver toujours à portée de main des articles ou matières capables d'éteindre le feu. En cas de feu de graisse ou d'huile, ne pas tenter d'éteindre le feu avec de l'eau. Utiliser un extincteur à poudre BC ou étouffer le feu avec de la terre, du sable ou du bicarbonate de soude.

### Minimiser les retours de flamme:

Les retours de flamme sont normaux et se produisent régulièrement lorsque vous cuisez de la viande au barbecue et donnent un goût unique à vos grillades. **De trop nombreux retours de flamme risquent de brûler vos aliments et de créer une situation dangereuse pour vous et votre barbecue.**

**Important:** Les trop nombreux retours de flamme résultent d'une accumulation de résidus de graisse au fond du barbecue.

1. Découpez le gras de la viande avant la cuisson.
2. Veillez à cuire les viandes très grasses à petit feu sur « LOW » (min.) ou en effectuant une cuisson indirecte.
3. Assurez-vous que le barbecue se trouve sur une surface dure et non combustible et que la graisse puisse s'égoutter dans le godet collecteur.

### Quelques conseils pour de meilleures grillades et afin d'assurer la pérennité du barbecue

1. Pour des conseils sur la cuisson des aliments : [http://www.fsis.usda.gov/Fact\\_Sheets/Barbecue\\_Food\\_Safety/](http://www.fsis.usda.gov/Fact_Sheets/Barbecue_Food_Safety/)
  2. Utilisez la grille de cuisson supérieure (grille de réchauffage) afin de maintenir au chaud les aliments que vous venez de cuire, griller du pain ou cuire des aliments délicats dans des pochettes de papier d'aluminium.
  3. Utilisez le brûleur latéral de cet appareil en tant que cuisinière ordinaire pour bouillir, sauter ou frire les aliments.
  4. Pour éviter que les aliments ne collent aux grilles, vaporisez ou appliquez une couche d'huile végétale sur les surfaces de cuisson avant d'allumer le barbecue.
  5. Pour réduire les feux de graisse, veillez à ce que le barbecue demeure propre, utilisez de la viande mince (découpez le gras) et évitez de cuire à de très hautes températures.
  6. Placez les aliments délicats tels que le poisson et les légumes dans du papier d'aluminium et placez-les sur la grille de cuisson supérieure (grille de réchauffage).
- ▲ AVERTISSEMENT: Ne jamais recouvrir complètement la zone de cuisson avec du papier d'aluminium.**
7. Pour éviter que les aliments ne perdent leur jus, utilisez des pinces de cuisine ou des spatules au lieu de fourchettes et retournez les aliments une seule fois pendant la cuisson.
  8. Lors d'une cuisson directe, réglez les brûleurs sur différents niveaux afin que les aliments puissent être cuits à différentes températures internes dans la même tranche de temps.
  9. Lors d'une cuisson indirecte pour les rôtis et les grosses tranches de viande, placez la viande sur une grille de cuisson à l'intérieur d'un bac métallique robuste. Placez le bac sur les brûleurs qui ne sont pas allumés.
  10. Faites un essai en utilisant des bacs métalliques remplis d'eau pour réduire les feux de graisse et cuire les viandes très juteuses. Avant d'allumer le barbecue, retirez les grilles de cuisson et placez un bac d'eau robuste et peu profond directement sur les diffuseurs de chaleur. Remplissez-le à moitié d'eau, de jus de fruits ou de tout autre liquide aromatisé. Remettez en place les grilles de cuisson et placez les aliments au-dessus du bac rempli de liquide.
  11. Rehaussez le goût des aliments en les plaçant dans des pochettes d'aluminium ou dans des fumoirs avec des copeaux de bois. Suivez les instructions du fabricant des copeaux de bois.
  12. Les tournebroches, les paniers à gril, les broches verticales à volailles et autres accessoires peuvent améliorer la cuisson, réduire le temps de cuisson et faciliter le nettoyage.
  13. Nettoyez les grilles de cuisson et les autres grilles après chaque utilisation en utilisant une brosse de barbecue de bonne qualité conçue pour le type de matériau de votre grille. Portez des gants de protection et retirez doucement les résidus demeurés sur les grilles pendant qu'elles sont encore chaudes.
  14. Après chaque utilisation, laissez le barbecue refroidir. Ensuite, protégez les grilles de cuisson propres en les enduisant d'une fine couche d'huile à friture, videz le bac récupérateur de graisses, essuyez les surfaces externes du barbecue en utilisant un produit de nettoyage de cuisine adéquat et protégez ces surfaces en recouvrant le barbecue avec une housse de bonne qualité suffisamment grande pour ce type de barbecue.
  15. Regardez les programmes télévisés consacrés à la cuisson au barbecue ou achetez des livres de cuisine sur le même thème pour des conseils utiles supplémentaires.

## Nettoyage et entretien

### ▲ Attention:

1. Tout nettoyage ou entretien doit être effectué lorsque le barbecue est froid (environ 45 minutes) et après avoir fermé et débranché la bouteille de propane.
2. NE placez aucune pièce du barbecue dans un four autonettoyant. La chaleur extrême endommagera le fini du barbecue.

### Avis

1. N'utilisez pas de produits de nettoyage abrasifs car ils risquent d'endommager le barbecue.
2. N'utilisez jamais de produit à nettoyer les fours sur une pièce quelle qu'elle soit du barbecue.

### Nettoyage des surfaces du barbecue

1. Essayez les surfaces du barbecue avec un liquide à vaisselle doux ou du bicarbonate de soude.
2. Pour les tâches coriaces, utilisez un dégraissant au citron et une brosse de nettoyage en nylon.
3. Rincez à l'eau.

### Nettoyage du brûleur

1. Tournez le bouton de commande du régulateur sur « LOCK/OFF » (fermé et verrouillé) et retirez la bouteille de propane. Attendez que le barbecue refroidisse complètement (environ 45 minutes).
2. Retirez le bouton de commande du régulateur et le pare-vent.
3. Retirez les grilles de cuisson et le diffuseur de chaleur.
4. Déconnectez le fil de l'allumeur selon le cas.
5. Retirez le brûleur.
6. Nettoyez les résidus de nourriture et la saleté de la surface du brûleur.
7. Nettoyez l'entrée du brûleur avec un petit goupillon ou de l'air comprimé.
8. Nettoyez les orifices bouchés avec un fil métallique (un trombone ouvert, par exemple).
9. Vérifiez le brûleur afin de vous assurer qu'il n'est pas endommagé (fissures ou trous). En cas de détériorations, remplacez-le par un brûleur neuf.
10. Réinstallez le brûleur. Connectez à nouveau l'allumeur, remettez en place le pare-vent et raccordez le rebranchez le bouton de commande du régulateur.
11. Remettez en place le diffuseur de chaleur et la grille de cuisson.
12. Effectuez le test d'étanchéité afin de vous assurer que le raccord ne présente pas de fuite.

### Avant le remisage

1. Tournez le bouton de commande du régulateur sur « LOCK/OFF » (fermé et verrouillé) et retirez la bouteille de propane.
2. Nettoyez toutes les surfaces du barbecue.
3. Pour aider à lutter contre la rouille, appliquez une légère couche d'huile de cuisson sur les brûleurs.
4. Remisez le barbecue à l'intérieur, débranchez la bouteille de propane, reportez-vous au chapitre « Débrancher la bouteille de propane » et laissez la bouteille de propane à l'EXTÉRIEUR.
5. Placez le capuchon protecteur sur la bouteille de propane et entreposez la bouteille à l'extérieur dans un endroit largement aéré et à l'abri des rayons directs du soleil.
6. Si vous remisez le barbecue à l'extérieur, couvrez le barbecue avec une housse de barbecue pour la protéger des intempéries.

## Enregistrement de l'appareil

Pour bénéficier plus rapidement du service offert par la garantie, veuillez enregistrer cet article immédiatement sur le site internet [www.bluerhino.com](http://www.bluerhino.com) ou appelez le 1.800.762.1142.

## Garantie limitée

La société Blue Rhino Global Sourcing, Inc ("le fabricant") garantit cet article au premier acheteur au détail et à aucune autre personne, contre tout vice de matériau et de fabrication pendant un (1) an à partir de la date d'achat si cet article est monté et utilisé conformément aux instructions fournies. Le fabricant vous demandera sans doute une preuve raisonnable d'achat datée, veuillez donc conserver votre facture ou votre reçu. Cette garantie limitée se limitera à la réparation ou au remplacement de pièces ayant été déterminées défectueuses par le fabricant lors de conditions d'utilisation et d'entretien normales. Avant de renvoyer une pièce, contactez le service à la clientèle du fabricant (Customer Service Department). Si le fabricant confirme le défaut de fabrication et approuve la réclamation, ce dernier remplacera gratuitement les dites pièces. Si vous devez renvoyer des pièces défectueuses, les pièces devront être expédiées port-payé. Le fabricant s'engage à renvoyer les pièces à l'acheteur port-payé.

Cette garantie limitée ne couvre pas les pannes et dysfonctionnements survenant suite à tout accident, mauvais usage, entretien incorrect de cet article, ou toute modification, mauvaise installation ou négligence comme il a été établi dans ce manuel. De plus, cette garantie limitée ne couvre pas les dommages au fini, à savoir les rayures, les bosses, les traces de décoloration, de rouille ou les dommages résultant des intempéries après achat de l'article.

Cette garantie remplace toute autre garantie expresse et il n'existe aucune autre garantie expresse à l'exception de la couverture indiquée ici. Le fabricant désavoue toute garantie couvrant des produits ayant été achetés auprès de revendeurs autres que les revendeurs et distributeurs agréés y compris toute garantie de commerciabilité et d'adaptation à un usage particulier. LE FABRICANT DÉCLINE ÉGALEMENT TOUTE GARANTIE IMPLICITE Y COMPRIS TOUTE GARANTIE DE COMMERCIALITÉ ET D'ADAPTATION À UN USAGE PARTICULIER. LE FABRICANT NE POURRA ÊTRE TENU RESPONSABLE PAR L'ACHETEUR OU UN TIERS POUR TOUS DÉGÂTS ET DOMMAGES PARTICULIERS, INDIRECTS, PUNITIFS OU CONSÉCUTIFS. De plus, le fabricant désavoue toute garantie expresse ou implicite et décline toute responsabilité en cas de défaut de fabrication causés par un tiers.

Cette garantie limitée octroie des droits spécifiques à l'acheteur reconnus par la loi et il est possible que ce dernier en possède d'autres selon sa localité. Certaines juridictions ne permettent pas l'exclusion ni la limitation de dommages consécutifs ou accessoires ni la limitation en temps d'une garantie et ces limitations peuvent ne pas être applicables à tous.

Le fabricant ne permet en aucun cas à une personne ou à une société de s'attribuer les responsabilités et les obligations liées à la vente, l'installation, l'utilisation, la dépose ou le remplacement de cet article, et aucune de ces représentations n'engage la responsabilité du fabricant.

Blue Rhino Sourcing, Inc  
Winston-Salem, North Carolina 27105, États-Unis  
(800)-762-1142

**Guide de dépannage**

Problème	Cause possible	Prévention/mesure correctrice
<b>Le brûleur ne s'allume pas en utilisant l'allumeur électrique</b>	La bouteille de propane est vide ou presque vide.	Remplacez la bouteille de propane.
	Il y a une fuite de propane.	Suivez les instructions du chapitre « Rechercher une fuite potentielle » du manuel.
	Les fils ou l'électrode sont recouverts de résidus de cuisson.	Nettoyez le fil conducteur et/ou l'électrode avec de l'alcool isopropylique.
	L'électrode et les brûleurs sont mouillés.	Essuyez avec un chiffon.
	L'électrode est fendue ou brisée, des étincelles apparaissent au niveau de la fente.	Remplacez l'électrode en appelant notre service à la clientèle au 1.800.762.1142.
	Le fil est desserré ou déconnecté.	Reconnectez le conducteur ou remplacez l'ensemble électrode-fil conducteur en appelant notre service à la clientèle au 1.800.762.1142.
	Court-circuit (étincelles) du fil conducteur entre l'allumeur et l'électrode.	Remplacez l'ensemble électrode-fil conducteur en appelant notre service à la clientèle au 1.800.762.1142.
	Allumeur défectueux.	Remplacez l'allumeur en appelant notre service à la clientèle au 1.800.762.1142.
<b>Le brûleur ne s'allume pas avec une allumette</b>	Absence de propane.	Vérifiez si la bouteille de propane est vide. A. Si elle est vide, remplacez-la. B. Si la bouteille n'est pas vide, reportez-vous aux instructions "Baisse soudaine du débit du propane ou hauteur réduite de flamme."
	La bouteille de propane est vide ou presque vide.	Remplacez la bouteille de propane.
	Il y a une fuite de propane.	Suivez les instructions du chapitre « Rechercher une fuite potentielle » du manuel.
	L'écrou de couplage et le régulateur ne sont pas complètement raccordés.	Tournez l'écrou de couplage demi ou trois quart de tour de plus jusqu'à l'arrêt complet. <b>Serrez manuellement sans utiliser d'outils.</b>
	Obstruction du débit de propane.	Nettoyez les tubes des en suivant les instructions figurant sur notre site <a href="http://www.bluerhino.com">www.bluerhino.com</a> .
	Araignées ou insectes dans le venturi.	Nettoyez le venturi et le tube du brûleur en suivant les instructions figurant sur notre site <a href="http://www.bluerhino.com">www.bluerhino.com</a> .
	Les orifices du brûleur sont bouchés ou bloqués.	Nettoyez les orifices du brûleur en suivant les instructions figurant sur notre site <a href="http://www.bluerhino.com">www.bluerhino.com</a> .
<b>Baisse soudaine du débit de propane ou hauteur réduite de flamme</b>	Il n'y a plus de propane.	Remplacez la bouteille de propane.
	Débit excessif; la soupape de sécurité de limitation de débit a peut-être été déclenché.	1. Tournez le bouton de commande du régulateur sur « LOCK/OFF » (fermé et verrouillé). 2. Attendez 30 secondes puis allumez le barbecue. 3. Si les flammes demeurent trop basses, réarmez le dispositif de sécurité de limitation de débit: a. Tournez le bouton de commande du régulateur sur « OFF » (arrêt). b. Retirez la bouteille de propane. c. Attendez 1 minute. d. Branchez la bouteille de propane. e. Effectuez un test d'étanchéité en suivant les instructions « Rechercher une fuite potentielle » du manuel d'utilisation.f. Allumez le barbecue en suivant les instructions « Allumer le barbecue » du manuel d'utilisation.
<b>Flamme irrégulière, flamme ne se répartissant pas sur toute la longueur du brûleur</b>	Les orifices du brûleur sont bouchés ou bloqués.	Nettoyez les orifices du brûleur en suivant les instructions figurant sur notre site <a href="http://www.bluerhino.com">www.bluerhino.com</a> .
<b>La flamme est jaune ou orange</b>	Le nouveau brûleur peut contenir des huiles résiduelles de fabrication.	Laissez le venturi du barbecue fonctionner pendant encore 15 minutes avec le couvercle fermé.
	Toiles d'araignées ou nid d'insectes dans le venturi.	Nettoyez le venturi en suivant les instructions figurant sur notre site <a href="http://www.bluerhino.com">www.bluerhino.com</a> .
	Résidus d'aliments, de graisse, etc.	Nettoyez le brûleur en suivant les instructions figurant sur notre site <a href="http://www.bluerhino.com">www.bluerhino.com</a> .
	La soupape n'est pas correctement alignée sur le venturi du brûleur	Assurez-vous que le venturi du brûleur est correctement raccordé à la soupape.
<b>La flamme s'éteint.</b>	Vent fort ou bourrasques.	Ne pas utiliser le barbecue les jours de vent fort.
	La bouteille de propane est presque vide.	Remplacez ou remplissez la bouteille de propane
	Débit excessif; la soupape de sécurité de limitation de débit a peut-être été déclenché.	Reportez-vous aux instructions "Baisse soudaine du débit du propane ou hauteur réduite de flamme".
<b>Le feu s'enflamme brusquement</b>	Accumulation de graisse.	Retirez et nettoyez toutes les pièces du barbecue en suivant les instructions "Nettoyage et entretien" du manuel d'utilisation.
	La viande est trop grasse.	Éliminez la graisse de la viande avant de la griller.
	La température de cuisson est trop élevée.	Réglez à la baisse la température.
<b>Feu de graisse persistant</b>	Graisse piégée par accumulation de nourriture autour des brûleurs.	1. Tournez le bouton de commande sur « OFF » (arrêt). 2. Laissez le couvercle fermé et laissez le feu se consumer. 3. Après que le barbecue ait refroidi, retirez et nettoyez toutes les pièces en suivant les instructions figurant sur notre site <a href="http://www.bluerhino.com">www.bluerhino.com</a> .
<b>Retour de flammes (feu dans le ou les tubes de brûleurs)</b>	Le brûleur et/ou ses tubes sont bouchés.	Nettoyez le brûleur et/ou les tubes du brûleur en suivant les instructions figurant sur notre site <a href="http://www.bluerhino.com">www.bluerhino.com</a> .
<b>L'intérieur du couvercle s'écaille comme de la peinture.</b>	Le couvercle est en acier inoxydable sans peinture.	L'accumulation de graisse cuite s'est transformée en carbone et s'écaille. Nettoyez rigoureusement le couvercle en suivant les instructions « Nettoyage et entretien » du manuel.
	Le couvercle est peint.	Il est possible que de la graisse cuite se soit accumulée puis transformée en carbone et est en train de s'écailler. Nettoyez rigoureusement le couvercle en suivant les instructions « Nettoyage et entretien » du manuel. Après le nettoyage, si vous pouvez voir l'acier du couvercle, veuillez appeler notre service à la clientèle au 1.800.762.1142

Pour toute assistance, veuillez consulter notre site internet [www.bluerhino.com](http://www.bluerhino.com) ou appeler le 1.800.762.1142 pour une assistance immédiate.



## Free Manuals Download Website

<http://myh66.com>

<http://usermanuals.us>

<http://www.somanuals.com>

<http://www.4manuals.cc>

<http://www.manual-lib.com>

<http://www.404manual.com>

<http://www.luxmanual.com>

<http://aubethermostatmanual.com>

Golf course search by state

<http://golfingnear.com>

Email search by domain

<http://emailbydomain.com>

Auto manuals search

<http://auto.somanuals.com>

TV manuals search

<http://tv.somanuals.com>