

**ONE
FOR ALL®**

5

URC-2505

ONE FOR ALL® 5

Universal Remote

USER GUIDE & CODE BOOK



Retain For Future Reference



Table of Contents

About Your ONE FOR ALL 5	2
Features and Functions.....	4
Installing the Batteries	6
Setting Up Your Television.....	7
Setting Up Your Video Recorder	8
Setting Up Your Satellite Receiver or Cable Converter.....	9
Setting Up Your CD Player.....	10
The AUX Key: Setting Up an Additional Device	11
The Search Method	13
Getting Codes from the ONE FOR ALL 5.....	15
Changing the Device Keys.....	16
Punch-Through (Control Across Device Types)	17
Scan.....	18
Colour & Brightness	20
More on Teletext and Fasttext	21
Preventing Accidental Code Changes.....	22
Key Sequence	23
Key Magic®	25
Helpful Hints.....	26
Consumer Help-Line.....	27
Telephone Upgradable Technology	28
Quick Code Reference	29
Set-Up Codes	
Set-Up Codes for Televisions.....	30
Set-Up Codes for Video Recorders	34
Set-Up Codes for Satellite Receivers.....	36
Set-Up Codes for Cable Converters	39
Set-Up Codes for CD Players.....	40
Set-Up Codes for Home Automation.....	40

Note: If you're having problems operating all the functions of your device, don't worry, your ONE FOR ALL may just need customising for your model type. Just call our consumer help-line and we'll get you on the right track.





About Your ONE FOR ALL 5

Your ONE FOR ALL 5 Package contains:

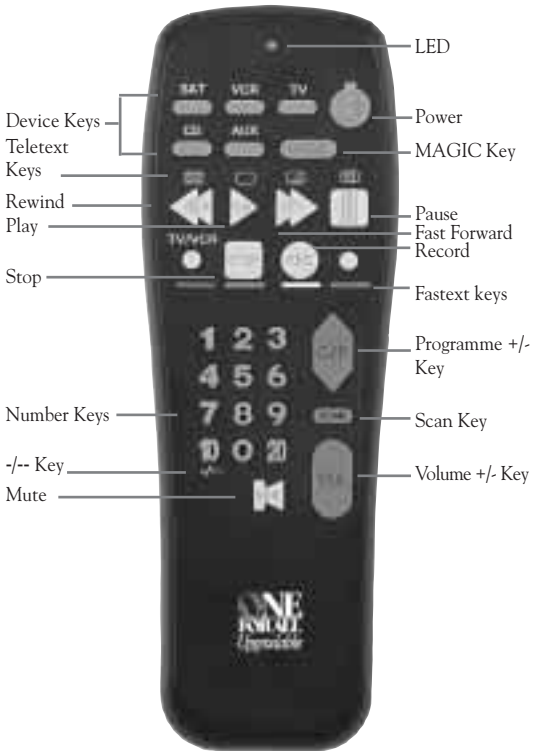
Your ONE FOR ALL 5 Universal Remote Control
Your ONE FOR ALL 5 User Guide & Code Book

Your User Guide & Code Book is divided into two parts: set-up instructions and device codes. You will need this guide to set up your new ONE FOR ALL 5 so please be sure to keep it.

Your ONE FOR ALL 5 needs four new AAA/LR03 alkaline batteries.



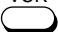
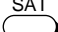
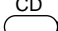

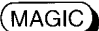


Your ONE FOR ALL 5 is designed to let you use one remote to operate your Television, Video Recorder, Satellite Receiver and CD Player. If you want, the ONE FOR ALL 5 will also let you control your Cable Converter. You can choose any combination of 5 devices. For example, 2-TVs, 1-VCR, 1- Satellite Receiver and 1-CD Player; the choice is yours.







Features and Functions

Key	Function
LED	LED The LED (Light Emitting Diode) flashes red to show the remote is working.
	Power The Power key controls the same function as your original remote.
TV  VCR  SAT  CD  AUX 	Device Keys The TV, VCR, SAT, CD and AUX keys select the home entertainment device to be controlled. For example pressing the TV key allows the remote to control the functions of your Television, after pressing VCR you can operate your Video Cassette Recorder. The SAT key operates your Satellite Receiver or Cable Converter, the CD Key operates your CD Player and the AUX key operates a second Television, Video, Satellite, Cable Converter or CD Player.
	MAGIC Key The MAGIC key is used to set up your ONE FOR ALL 5 and to access special functions.
0-9 10, 20 -/--	Number Keys The Number keys (0-9, 10, 20) provide functions just like your original remote, such as direct access programme selection. If your original remote uses one/two digit input switching (-/-- symbol), this function can be obtained by pressing the -/-- key, which is the same as the 10 key.
 	Volume, Programme The Volume and Programme keys control the two most frequently used functions of your devices. They operate just as those on your original remote.





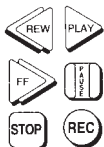
Scan

The Scan key allows you to easily browse through the programmes on your Television, Video Recorder, Satellite Receiver and Cable Converter. See page 18 for more information.



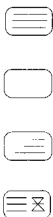
Mute

The Mute key operates the same functions it did on your original remote.



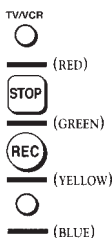
Video Recorder Keys

After pressing the VCR key, the Video Recorder keys operate the functions of your Video Recorder. To prevent accidental recordings, the Record key must be pressed **twice** to start recording.



Teletext/Fasttext Keys

After pressing the TV key, the top row of the Video Recorder keys are used to operate the main teletext functions. The symbols above the keys are for teletext. The Text keys are used to access the teletext functions of your Television. Of course, your Television must be teletext capable. For an explanation of the teletext symbols, please refer to page 21 of this manual.



After pressing the TV key, the bottom row of the Video Recorder keys marked red, green, yellow and blue allow you to access the fasttext functions of your television. Again, your television must be fasttext capable to operate these functions. For a more detailed explanation on how teletext and fasttext work, please refer to the manual of your Television set.

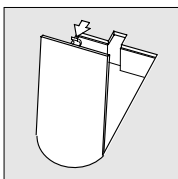




Installing the Batteries

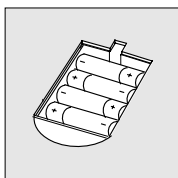
Your ONE FOR ALL 5 needs four new AAA/LR03 alkaline batteries.

1



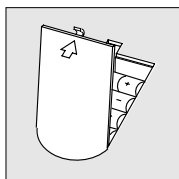
Remove the battery cover from the back of your ONE FOR ALL 5.

2



Match the batteries to the + and - marks inside the battery case, then insert the batteries.

3



Press the battery cover back into place.

Note: In order to avoid having to reprogramme your ONE FOR ALL 5 after you remove the batteries, you will need to insert new batteries within 3 minutes. Also it is best that you do not use rechargeable batteries.



Setting Up Your Television

To set up the ONE FOR ALL 5 for your Television:

1

ONE FOR ALL	
Admiral	087 093 264
	163
Agati	264
AGB	075
Aiko	216 009
Akai	208 351 037

Find your Television code in the Set-Up Code section (starting on page 30). Codes are listed by brand name.

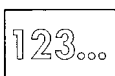
The most popular code is listed first. Make sure your Television is switched on; any programme is fine.

2



Press and release the ONE FOR ALL 5's TV key, then **press and hold down the MAGIC key** until the red light blinks twice.

3



Enter your **three-digit TV code** using the number keys. The red light will blink twice.

4



Now, aim the ONE FOR ALL 5 at your Television and press **POWER**. If your Television switches off, your ONE FOR ALL 5 is ready to run your Television.

Write your code in the three boxes on page 29, for easy future reference.

To control your Television, press TV first.

If your Television does not respond, follow steps 1 through 4 with each code listed for your brand. If none of the codes listed for your brand operate your Television, then try the search method described on page 13, even if your brand is not listed at all.



Setting Up Your Video Recorder

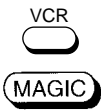
To set up the ONE FOR ALL 5 for your Video Recorder:

1

ONE FOR ALL	
Admiral	087 093 264
	163
Agai	264
AGB	075
Aiko	216 009
Akai	208 351 037

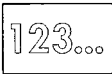
Find your Video Recorder code in the Set-Up Code section (starting on page 30). Codes are listed by brand name. The most popular code is listed first. Switch on your Video Recorder and insert a blank tape.

2



Press and release the ONE FOR ALL 5's **VCR** key, then **press and hold down the MAGIC** key until the ONE FOR ALL 5's red light blinks twice.

3



Enter your **three-digit VCR** code using the number keys. The red light will blink twice.

4



Now, aim the ONE FOR ALL 5 at your Video Recorder and then press **PLAY**. If your Video starts playing the tape, your ONE FOR ALL 5 is ready to run your Video Recorder.

Write your code in the three boxes on page 29, for easy future reference.

To control your Video Recorder, press the VCR key first.

If your Video Recorder does not respond, follow steps 1 through 4 with each code listed for your brand. If none of the codes listed for your brand operate your Video Recorder, then try the search method described on page 13, even if your brand isn't listed at all. If you change programmes on your Television through your Video Recorder, press VCR and not TV, before you use the programme keys.



Setting Up Your Satellite Receiver or Cable Converter

To set up the ONE FOR ALL 5 for your Satellite Receiver or Cable Converter:

1

ONE FOR ALL	
Admiral	087 093 264
	163
Agaz	264
AGB	075
Aiko	216 009
Aku	208 351 037

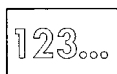
Find your Satellite Receiver code in the Set-Up Code section (starting on page 30). To set up your Cable Converter follow the instructions below, but use the cable converter codes. Codes are listed by brand name. The most popular code is listed first. Make sure your Satellite Receiver (or Cable Converter) is switched on.

2



Press and release the ONE FOR ALL 5's **SAT** key, then **press and hold down the MAGIC** key until the red light blinks twice.

3



Enter your **three-digit Satellite (or Cable) code** using the number keys. The red light will blink twice.

4



Now, aim the ONE FOR ALL 5 at your Satellite Receiver (or Cable Converter) and press **POWER**. If your Satellite (Cable Converter) switches off, your ONE FOR ALL 5 is ready to run your Satellite Receiver (Cable Converter).

Write your code in the three boxes on page 29, for easy future reference.

To control your Satellite Receiver or Cable Converter, press **SAT** first.

If your Satellite Receiver or Cable Converter does not respond, follow steps 1 through 4 with each code listed for your brand. If none of the codes listed for your brand operate your Satellite or Cable Converter, then try the search method described on page 13, even if your brand is not listed at all.

Setting Up Your CD Player

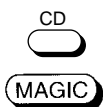
To set up the ONE FOR ALL 5 for your CD Player:

1

ONE FOR ALL	
Admiral	087 093 264
Agzi	163
AGB	264
Aiko	075
Aku	216 009
	208 351 037

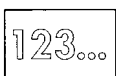
Find your CD Player code in the Set-Up Code section (starting on page 30). Codes are listed by brand name. The most popular code is listed first. Switch on your CD Player and insert a CD.

2



Press and release the ONE FOR ALL 5's CD key, then **press and hold down the MAGIC key** until the ONE FOR ALL 5's red light blinks twice.

3



Enter your **three-digit CD Player code** using the number keys. The red light will blink twice.

4



Now, aim the ONE FOR ALL 5 at your CD Player and press **PLAY**. If your CD Player starts playing the CD, your ONE FOR ALL 5 is ready to run your CD Player.

Write your code in the three boxes on page 29, for easy future reference.




To control your CD Player, press the CD key first.

If your CD Player does not respond, follow steps 1 through 4 with each code listed for your brand. If none of the codes listed for your brand operate your CD Player, then try the search method described on page 13, even if your brand isn't listed at all.


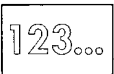

The AUX Key: Setting Up an Additional Device

The AUX key on your ONE FOR ALL 5 can be used to control a second Television, Video Recorder, Satellite Receiver, Cable Converter or CD Player.

To set up the AUX key to control a second TV:

-  Press and hold down the **MAGIC** key until the red light blinks twice.
-  Press **9 9 2 TV AUX**.
- 

ONE FOR ALL	
Admiral	087 093 264
Agati	163
AGB	264
Aiko	075
Aiko	216 009
Akai	208 351 037

 Find your Television code in the Set-Up Code section (starting on page 30). Codes are listed by brand name. The most popular code is listed first. Make sure your Television is switched on.
-  Press and release the **ONE FOR ALL 5's AUX** key, then **press and hold down the MAGIC** key until the **ONE FOR ALL 5's** red light blinks twice.
-  Enter your **three-digit TV code** using the number keys. The red light will blink twice.
-  Now, aim the **ONE FOR ALL 5** at your Television and press **POWER**. If your Television switches off, your **ONE FOR ALL 5** is ready to run your Television. When you want to control your second TV, press **AUX** first.



To set up the AUX key to control a second Video Recorder, Satellite Receiver, Cable Converter or CD Player, follow steps 1 through 6, only substitute the appropriate device key (VCR, SAT or CD) instead of the TV key, during step 2. Use the appropriate code for your Video Recorder, Satellite Receiver, Cable Converter or CD Player during step 5.

Write your code in the three boxes on page 29, for easy future reference.







If your device does not respond, follow steps 3 through 6 with each code listed for your brand. If none of the codes listed for your brand operate your device, then try the search method described on page 13, even if your brand is not listed at all.



The Search Method

If your device does not respond to the ONE FOR ALL 5 after you have tried all the codes listed for your brand, try the Search Method. The Search Method may also work if your brand is not listed at all.

Let's say you cannot get your ONE FOR ALL 5 to control your Television:

- 1 Switch your Television on; any programme is fine.
- 2  Press the **TV** key on your ONE FOR ALL 5.
- 3 
 Aim the ONE FOR ALL 5 at your Television. **Press and hold down MAGIC** until the ONE FOR ALL 5's red light blinks twice. Then, press **9 9 1**. The red light will blink twice.
- 4 
 Now, alternate between **POWER** and **TV**, over and over, until your Television turns off. You may have to press these keys many times, so please be patient. Remember to keep pointing the ONE FOR ALL 5 at your Television when you press the **POWER** and **TV** keys.
- 5  When your Television turns off, press and release **MAGIC**. Don't forget, press **MAGIC** as soon as your Television turns off. Now your ONE FOR ALL 5 is ready to run your Television.

To search for the code for your other devices, follow steps 1 through 5, only substitute the appropriate device key during steps 2 and 4. For example, to search for the code for your Video, press the **VCR** key; for your Satellite or Cable Converter, press the **SAT** key; and for your CD Player, press the **CD** key.

*Note: If your Video or CD's original remote control does not have a power key, press **PLAY** instead of **POWER** when searching for your code.*






To search for the Television, Video Recorder, Satellite Receiver, Cable Converter or CD Player code to be set up on your AUX key, follow these steps:


1 Make sure you have set the AUX key to TV, Video, Satellite, Cable or CD operation (see steps 1 & 2 on pages 11 or 12).

2 Switch your device on.

3  Press the **AUX** key on your ONE FOR ALL 5.

4 
 Aim the ONE FOR ALL 5 at your device. **Press and hold down MAGIC** until the ONE FOR ALL 5's red light blinks twice. Then, press **9 9 1**. The red light will blink twice.

5 
 Now, alternate between **POWER** and **AUX**, over and over, until your device turns off. You may have to press these keys many times, so please be patient. Remember to keep pointing your ONE FOR ALL 5 at your device when you press the **POWER** and **AUX** keys.

6  When your device turns off, press and release **MAGIC**. Don't forget, press **MAGIC** as soon as your device turns off.

Now the ONE FOR ALL 5 is ready to run your device. When you want to control this device, press **AUX** first.

*Note: If your Video or CD's original remote control does not have a power key, press **PLAY** when searching for your code.*











Getting Codes from the ONE FOR ALL 5

Even if you have used the Search Method, it is handy to know your Television, Video, Satellite Receiver, Cable Converter or CD Player code for future reference. It's easy to get your code after you have set up your device.

To get your Television code:

- 1  Press TV.
- 2 
 Press and hold down MAGIC until the ONE FOR ALL 5's red light blinks twice. Press 9 9 0. The red light will blink twice.
- 3  For the first digit of your three-digit code, press 1 and count the red blinks. If there are no blinks, the digit is "0".
- 4  For the second digit, press 2 and count the red blinks.
- 5  For the third digit, press 3 and count the red blinks. Now you have your three-digit code.

Make sure you write your Television code in the three boxes on page 29.

























To get the code for your other devices follow steps 1 through 5, only substitute the appropriate device key (VCR, SAT, CD or AUX) during step 1. Write the code for your device(s) in the three boxes on page 29, for easy future reference.





Changing the Device Keys

If you want, you can change any of the device keys (TV, VCR, SAT, CD or AUX) to operate another type of device. The chart below lists how to change the keys and to set up that device:

To Change:	Press:
 to 	MAGIC* 9 9 2 VCR TV, then TV MAGIC* Code
 to 	MAGIC* 9 9 2 SAT TV, then TV MAGIC* Code
 to 	MAGIC* 9 9 2 CD TV, then TV MAGIC* Code
 to 	MAGIC* 9 9 2 TV VCR, then VCR MAGIC* Code
 to 	MAGIC* 9 9 2 SAT VCR, then VCR MAGIC* Code
 to 	MAGIC* 9 9 2 CD VCR, then VCR MAGIC* Code
 to 	MAGIC* 9 9 2 TV SAT, then SAT MAGIC* Code
 to 	MAGIC* 9 9 2 VCR SAT, then SAT MAGIC* Code
 to 	MAGIC* 9 9 2 CD SAT, then SAT MAGIC* Code
 to 	MAGIC* 9 9 2 TV CD, then CD MAGIC* Code
 to 	MAGIC* 9 9 2 VCR CD, then CD MAGIC* Code
 to 	MAGIC* 9 9 2 SAT CD, then CD MAGIC* Code

* Hold down the MAGIC key until the red light blinks twice.





To Change:

Press:



MAGIC* 9 9 2 TV AUX,
then AUX MAGIC* Code



MAGIC* 9 9 2 VCR AUX,
then AUX MAGIC* Code



MAGIC* 9 9 2 SAT AUX,
then AUX MAGIC* Code



MAGIC* 9 9 2 CD AUX,
then AUX MAGIC* Code

To reset a device key to its original function, press:



* Hold down the MAGIC key until the red light blinks twice.

Punch-Through

You may be able to use some features of your Television, Video Recorder, Satellite Receiver and Cable Converter at the same time. If you're watching a programme on your Video, you can adjust the volume (a TV function) without first pressing the TV key. The chart below lists some of the possibilities:

Last Key Pressed:

You Can Control:



TV volume up and down, mute



TV volume up and down, mute







Scan

Auto Scan

Your ONE FOR ALL 5 comes with a special Scan key which lets you go through every programme available on your Television, Video Recorder, Satellite Receiver or Cable Converter.

For example, to scan through the programmes on your Television:




- 
 Aim the ONE FOR ALL 5 at your Television and press **TV**, then **Scan**. You will automatically move through all the programmes available on your Television stopping at each programme for about three seconds. Remember, the ONE FOR ALL 5 must remain aimed at your Television the entire time you are using Scan.

- When you find a programme that you would like to watch, simply press the Scan key again to stop the Scan feature.

To use Scan with your Video Recorder, Satellite Receiver or Cable Converter, simply **press the appropriate device key (VCR, SAT, or AUX) then Scan**.

Favorite Programme Scan

Instead of Auto Scan, you can set your ONE FOR ALL 5 to scan through up to 10 of your favorite programmes. To set up your favorite programmes for your TV:

- 
 Press and release the ONE FOR ALL 5's **TV** key, then **hold down the MAGIC** key until the red light blinks twice.
-  Press **9 9 6**.

(continued)





3



Enter the number for the first programme you wish to be included as a “favorite programme”. Then press and release **MAGIC**. (You must enter the programme number exactly as you would on your original remote. Example: If to get programme 5 you had to press 05 or if you used the 10, 20 or -/-- keys, you will need to do the same on the ONE FOR ALL 5.)

4



Enter the next programme number you wish to be included as a “favorite programme”. Then press and release **MAGIC**.

5



Continue entering each programme you wish to be included as your “favorite programmes”. After you have entered the last programme number, **press and hold down MAGIC** until the red light blinks twice. Remember, the ONE FOR ALL 5 can hold a maximum of 10 of your favorite programmes.

6



When you want to scan through your “favorite programmes”, aim the ONE FOR ALL 5 at your TV and press **TV** then **Scan** and you will automatically move through your favorite programmes, stopping at each for about three seconds. Remember the ONE FOR ALL 5 must be aimed at your TV the entire time you are using Scan.

7


When you find a programme you would like to watch, simply press the Scan key to stop the scan feature. To continue the favorite programme scan, press the Scan key again. The ONE FOR ALL 5 will stop automatically at the last favorite programme.



To set up your “favorite programmes” for your Video, Satellite or Cable Converter, follow steps 1 through 6, only substitute the appropriate device key (VCR, SAT or AUX) during steps 1 and 6.






To clear the favorite programmes you have set up:

- 1  Press the **device key** (TV, VCR, SAT or AUX). Then **hold MAGIC** until the red light blinks twice.


- 2  Press **9 9 6**. Then **press the MAGIC key twice holding it down the second time** until the red light blinks twice. The ONE FOR ALL 5 will now perform the Auto Scan function whenever the Scan key is pressed.



Notes: Favorite Programme Scan can only be set up for one device at a time. Once you have set up your "favorite programmes" for one device, you will not be able to use Scan with any other device. Auto Scan may not function with devices that did not have a programme +/- key on the original remote.

Colour & Brightness

Depending on the functions of your original remote control, the ONE FOR ALL 5 can operate the colour and brightness settings of your Television.

To adjust the colour:

-   Press **MAGIC** followed by **Volume+** (for colour up) or **Volume-** (for colour down).

To adjust the brightness:




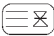
-   Press **MAGIC** followed by **Programme+** (for brightness up) or **Programme -** (for brightness down).





More on Teletext and Fastext

The ONE FOR ALL 5 is designed to operate the basic functions of teletext (text on, text off, mix and hold/stop).

<u>Symbol</u>	<u>Title</u>	<u>Description</u>
	TEXT	Puts the Television in the teletext mode.
	TV	Switches the Television back to regular viewing mode. On some Televisions, this may be done by pressing the TEXT key several times.
	MIX	Shows both teletext and regular Television simultaneously. Also used for subtitling. On some Televisions this function is accessed by pressing the TEXT key twice.
	HOLD/ STOP	Stops changing pages.

The keys marked red, green, yellow and blue are used to access the fastext functions of your television

Note: For a more detailed explanation of teletext and fastext, please refer to the manual of your Television. Remember, different Televisions control teletext and fastext features in different ways. Not all of the teletext functions may be available for your particular model.















Preventing Accidental Code Changes

To prevent the accidental changing of codes in the ONE FOR ALL 5 (for instance by young children), it is possible to lock in the code you have set up:

Please remember, this is an optional feature and should only be used after you have found all the code(s) which operate your device(s) correctly and have set up your ONE FOR ALL 5 exactly the way you want it.

To lock in your:	Press:
TV code	  * 9 8 2
VCR code	  * 9 8 2
SAT code	  * 9 8 2
CD code	  * 9 8 2
AUX code	  * 9 8 2

* Hold down the MAGIC key until the red light blinks twice.

To release the lock, simply repeat the same steps.

Note: Once you have locked in a code, you will not be able to enter a new code or reassign the device key until the lock is released.




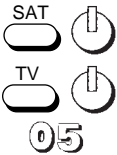






Key Sequence

You can program your ONE FOR ALL 5 to issue a sequence of commands at the press of a button. For example, you may want to turn on your Satellite and TV at the same time then set your TV to programme 5. Any sequence of commands you regularly use can be reduced to one key stroke for your convenience. You can install a sequence on any key, except for the device keys (TV, VCR, SAT, CD and AUX), the Magic key and the Scan key.

To set up the sequence mentioned above on the Blue Fastext key of your ONE FOR ALL 5:

- 1**  Press and **hold down the MAGIC** key until the red light blinks twice.
- 2**  Press **995**.
- 3**  Then press the **Blue Fastext** key. (This is the key to which the sequence will be assigned.)
- 4**  Next press **SAT, POWER, TV, POWER, 05** (Enter the programme number exactly as you would on your original remote.).
- 5**  To end the sequence, **press and hold MAGIC** until the ONE FOR ALL 5's red light blinks twice.
- 6**  Whenever you press the Blue Fastext key, the ONE FOR ALL 5 will turn on your Satellite, turn on your TV then set your TV to programme 5.

To install any sequence, press:

MAGIC* + 995 + Key to which sequence will be assigned + Sequence of commands + MAGIC*

*Here you must hold down MAGIC until the red light blinks twice.






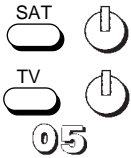








Shifted Sequences

You can also program your ONE FOR ALL 5 to issue a sequence of commands by pressing the Magic key followed by another key. This allows you to maintain the original function of this key in every mode. A shifted Sequence can be set up on the following keys: Power, 10, 20, Mute and the VCR/Fasttext keys.

Using the example from the previous page, you can programme the ONE FOR ALL 5 to turn on your Satellite and TV at the same time, then set your TV to programme 5 whenever you press Magic then the Blue Fastext key. This allows you to keep the Blue Fastext function.

To set up this shifted sequence:

- 1  Press and **hold down the MAGIC** key until the red light blinks twice.
- 2  Press **995**.
- 3 
 Press and release **MAGIC** then press the **Blue Fastext** key. (This is the key to which the sequence will be assigned.)
- 4 

 Next press **SAT, POWER, TV, POWER, 05**. (Enter the programme number exactly as you would on your original remote.)
- 5  To end the sequence, **press and hold MAGIC** until the ONE FOR ALL 5's red light blinks twice.
- 6 
 Whenever you press **MAGIC** then the **Blue Fastext** key, the ONE FOR ALL 5 will turn on your Satellite, turn on your TV then set your TV to programme 5.





To install any Shifted Sequence, press:

MAGIC* + 995 + MAGIC + Key to which sequence will be assigned + Sequence of commands + MAGIC*

Clearing a Sequence:

To erase any Sequence from a key, press:

MAGIC* + 995 + Key to be cleared + MAGIC*

To erase any Shifted Sequence, press:

MAGIC* + 995 + MAGIC + Key to be cleared + MAGIC*

*Here you must hold down MAGIC until the red light blinks twice.

Notes:

- Once you program a sequence on a specific key, the sequence will work regardless of the mode (TV, VCR, SAT, CD, AUX) you are using. If you wish to obtain the original function of this key:
 - a) Use a Shifted Sequence.
 - b) Press the Magic key before the function key. This will give you the original function for any key which does not have a "double function". For example, the volume keys also controls the color settings of your TV; therefore, if a Sequence is programmed on the volume keys, the volume function cannot be accessed.
- If you have placed an extended function on a key using "Key Magic" and then include this key in a Sequence, the extended function will be included in the Sequence NOT the original function of this key.
- As a Sequence is accessible from any mode (TV, VCR, SAT, CD, AUX), it is handy to always start your sequence with the correct mode key.
- To avoid accidental recordings with the ONE FOR ALL 5, you must press the Record key twice to begin recording. Because of this, you cannot assign a Sequence or Shifted Sequence to the Record key.

Key Magic®

Key Magic is an exclusive ONE FOR ALL feature. The design of the ONE FOR ALL 5 ensures that many functions of your original remote control can be operated by the ONE FOR ALL 5, even those that do not have their own key on the ONE FOR ALL 5 keyboard. And often used functions can be assigned to a key of your choice using the Key Magic features of your ONE FOR ALL 5.

If you have any questions about special functions, ring our consumer help-line and one of our customer service agents will be glad to assist you.



Helpful Hints

Problem:

Solution:

Red light does not blink when you press a key?	Replace batteries with 4 fresh, new AAA alkaline batteries.
The ONE FOR ALL does not respond after pressing a key?	Make sure you are using new batteries and are aiming the ONE FOR ALL at your device.
The ONE FOR ALL does not operate your device(s)	A) Try all the codes listed for your brand. B) Try the search method on page 13.
Your brand is not listed in the ONE FOR ALL code section?	Try the search method on page 13.
When following the set-up instructions, the red light on the ONE FOR ALL only blinks once instead of twice after you enter a three-digit code?	Did you use the Code Lock feature? You must first unlock the code before entering a new code. Follow the instructions on page 22 to do this.
The ONE FOR ALL is not performing commands properly?	You may be using the wrong code. Start the search method over again to locate the proper code.
Press a key but get the wrong result?	Hold MAGIC until the red light blinks twice, then press 992 and the device key twice. You will need to set-up your device again. Try the codes for brand or the search method on page 13.
You cannot control the volume feature of your Satellite, Cable Converter or TV/Video Combination?	Hold MAGIC until the red light blinks twice. Then press 993 and VOL+. To set the volume control back to TV (Punch Through), hold MAGIC until the red light blinks twice, then press 993 TV.
Problems changing channels?	Enter the programme number exactly as you would on your original remote.
Video not recording?	As a safety feature on your ONE FOR ALL, you must press the Record key twice .
Scan does not work on your device?	Make sure your original remote had a programme +/- key.



Consumer Help-Line

If you have any questions about the operation of your new ONE FOR ALL 5 Universal Remote Control, you may call our consumer help-line on **0800 966 194** (our number in Ireland is 1-800 553 118; our number in Australia is 1-800 064 472) for assistance. Before calling, please read this manual carefully to find an answer to your question. If you cannot find a solution in this manual, please complete the information below on all your equipment before calling. This way we can better serve you.

Your ONE FOR ALL remote model: URC-2505

Date of Purchase: _____ / _____ / _____
Day Month Year

Your devices:
(The first row is an example of how to complete this table)

Type Brand Model No. Remote Model No.

Example:

TV	Sony	KVX-2950B	RMT-V131B
_____	_____	_____	_____
_____	_____	_____	_____
_____	_____	_____	_____
_____	_____	_____	_____
_____	_____	_____	_____



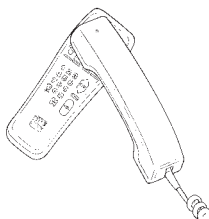


ONE FOR ALL Telephone Upgradable Technology

Your ONE FOR ALL 5 contains a unique feature which allows new information to be added simply by holding it to your telephone. In a matter of seconds, our magnetic coupling technology quickly and reliably transfers information to the ONE FOR ALL 5 without complex plugs, adapters or attachments. This means, as you buy new products in the future, the ONE FOR ALL 5 will never become obsolete.

Simply ring our consumer help-line and one of our customer service representatives will assist you through the entire process of upgrading your ONE FOR ALL 5. To ensure the process goes smoothly, here are a few steps to follow:

- 1** Write down the brand name(s) and model number(s) of your device(s) in the space provided before you call.
- 2** Ring our help-line and explain which device(s) you would like added to your ONE FOR ALL 5.
- 3** After our customer service agent records the brand name(s) and model number(s) of your device(s), he/she will ask that you hold the ONE FOR ALL 5 to the speaker portion of your telephone (see diagram below). In doing this, the information needed for your device is transferred through the telephone into your ONE FOR ALL 5 in a matter of seconds. **Please note, cordless telephones, speaker telephones and mobile telephones are not recommended.**
- 4** After your ONE FOR ALL 5 has been upgraded by telephone, stay on the line. Our customer service agent will ensure that your ONE FOR ALL 5 is working properly with your device(s) and answer any other questions you may have.





Quick Code Reference

The following pages list the codes for your equipment. The most popular codes for each brand are listed first.

If your device does not respond to the ONE FOR ALL 5 after you have tried all the codes for your brand, try the search method (page 13).

Write down the codes for your devices in the boxes below, easy future reference.

<u>Device Type</u>	<u>Code</u>
1. _____	<input type="text"/> <input type="text"/> <input type="text"/>
2. _____	<input type="text"/> <input type="text"/> <input type="text"/>
3. _____	<input type="text"/> <input type="text"/> <input type="text"/>
4. _____	<input type="text"/> <input type="text"/> <input type="text"/>
5. _____	<input type="text"/> <input type="text"/> <input type="text"/>



One For All 5 Code List

Televisions

A.R. Systems 037 352
 Acura 009
 Admiral 093 363 418 213
 264
 Adyson 217 216
 Agazi 264
 AGB 516
 Aiko 216 009 037 371
 035 433 072 361
 191
 Aim 037
 Akai 361 208 371 037
 433 191 035 009
 072 218 552 163
 516
 Akiba 218 282 455 037
 Akito 272
 Akura 218 369 282 009
 412 264 037
 Alba 218 235 009 418
 370 372 355 371
 037 395 216 247
 431
 Alcyon 076
 Allorgan 206 294 217
 Allstar 037
 Amplivision 217 400 320
 Amstrad 177 009 516 264
 218 371 369 433
 362 412 037
 Anglo 009 264
 Anitech 009 068 076 264
 037
 Ansonic 370 292 102 009
 037 374 163 323
 411 259 247 012
 428
 Arc en Ciel 399 501 196 109
 333
 Arcam 216 399 217
 Aristona 037 556 012
 Arthur Martin 400
 ASA 105 346 070 104
 Asberg 037 076
 Asuka 218 264 216 282
 217
 Atlantic 037 216 206 320
 Atori 009
 Auchan 400
 Audiosonic 037 109 217 370
 337 264 218 428
 Audioton 217 264
 Ausind 076
 Autovox 206 237 076 544
 217 247 336
 Ayomi. 238
 Baird 109 193 343 190
 072
 Bang & Olufsen 287
 Barco 416 552
 Basic Line 218 009 374 037
 282
 Bastide 217

Baur 535 512 554 361
 544 505 010 037
 Bazin 217
 Beko 370
 Beon 037
 Best 337 370 421
 Bestar 037 370 374
 Binatone 217
 Black Star 247
 Blacktron 282
 Blackway 282
 Blaupunkt 554 535 191 195
 213 301 327 328
 Blue Sky 218 282 455 037
 Blue Star 282
 Bondstec 247
 Boots 272 217
 BPL 282
 Brandt* 501 399 205 237
 333 196 287 335
 299
 Brinkmann 418 037
 Brionvega* 037
 Britannia 216 217
 BSR 294
 BTC 218
 Bush 218 235 543 009
 036 282 037 272
 355 371 363 374
 519
 Capsonic 264
 Carena 455 037
 Carrefour 036 070 057
 Cascade 009
 Cathay 037
 Centurion 037
 Century 213 247
 CGE 084 306 076 247
 252 552 306 418
 370
 Cimline 009 235 218
 City 009
 Clatronic 218 264 370 371
 217 076 037 009
 102
 Concorde 009
 Condor 216 247 282 320
 037 370 009 102
 411
 Contec 216 009 157 011
 036
 Continental
 Edison* 501 237 196 399
 333 205 299 287
 Cosmel 009 337
 Crezar 213
 Crosley 247 084 252 076
 552 213
 Crown 009 370 076 421
 037 369 359
 Crystal 431
 CS Electronics 247 216 218
 CTC 247
 Cybertron 218
 Daewoo 009 037 216 374
 218 217

Dainichi 218
 Dansai 037 264 035
 Dawa 037
 Daytron 009 374
 Decca 072 516 037 272
 217
 DeGraaf 208
 Denko 264
 Desmet 320 037
 Diamant 037
 Dixi 009 037
 Domland 394
 DTS 009
 Dual 544 217 057 343
 259 336 519 352
 394 399 037
 Dual-Tec 217 552 259
 Dumont 104 102 213 217
 070
 Dynatron 037
 Elbe 238 259 362 292
 370 163 037 218
 191 411
 Elcit 247 516 102 552
 Elekta 264 282
 Elin 216 037 105 104
 349 009
 Elite 218 037
 Elman 102
 Elta 009 068
 Emerson 177 213 247 037
 371 070
 Emperor 282
 Erres 037 012
 Etron 037 009
 Euro-Feel 264
 Euromann 216 264 037 217
 421 370
 Europhon 037 516 102 213
 217 247
 Expert 206 400
 Exquisit 037
 Fenner 374 009
 Ferguson 073 287 190 335
 238 193 109
 Fidelity* 193 216 371 372
 363 432
 Finlandia 208 346 359
 Finlux 105 104 037 346
 217 072 552 076
 516 070 102
 Firstline 294 321 216 037
 374 247 009 552
 217 411 544 238
 Fisher 104 217 036 057
 208 370 555 045
 157 361 552 544
 072
 Flint 037 455 072
 FNR 102
 Forgestone 193
 Formenti 213 216 320 552
 076
 Fortress 093
 Fraba 370 037
 Frontech 247 264 543 414
 363 431 217 009
 Fujitsu 206 072 102 217
 Funai 264 294

Galaxi 102 037
 Galaxis 370 418 037
 GBC 213 552 009 374
 218
 Geant Casino 400
 GEC 072 361 205 516
 037 217 072 349
 Geloso 213 009 363 552
 374
 General Technic 009
 Genexxa 218 037 412
 Germanvox 213
 Goldline 337
 Goldstar 037 370 290 009
 217 247 216 431
 361
 Goodmans 036 072 037 009
 264 516 290 374
 371
 Gorenje 370 421
 GPM 218
 Graetz 347
 Granada 037 400 226 356
 359 012 045 072
 351 108 208 217
 076 036 339 516
 Grandin 282 218 400 037
 009 320 455
 Grundig 535 195 191 554
 070 076 205 237
 417 422 037
 Halifax 264 216 217
 Hampton 216 217
 Hanseatic 037 292 282 544
 524 361 394 213
 320 057 428 009
 294 217
 Hantarex 009 213 037
 Hantor 037
 HCM 264 009 282 412
 217 218 037
 Hema 217 009
 Hemmermann 544
 Hifivox 501 196 399
 HiLine 264 037
 Hinari 208 036 037 218
 406 009 163
 Hisawa 282 218 400 455
 Hitachi 225 036 349 356
 473 552 343 196
 217 306
 Hoshai 218
 Hygashi 217 216
 Hornyphon 037
 Hyper 009 216 217 247
 Hypersonic 361
 Hypson 037 264 217 282
 455 400
 Iberia 037
 ICE 264 217 037 371
 218 216 009
 Ices 218 216
 Imperial 037 247 370 418
 552 084 252 076
 349 524
 Indesit 237 213
 Indiana 037
 Ingersol 009

Inno Hit 009 072 037 218
 290 217 516 247
 Interbuy 009 264 247 068
 Interfunk 037 012 512 275
 327 163 361 370
 501
 Intervision 282 217 455 037
 068 371 464 519
 394 414 218 102
 431 264
 Irradio 009 037 218 247
 290 076
 Isukai 218 037 282
 ITC 217
 ITS 037 371 218 282
 264 216
 ITT 163 349 361 473
 361 347 351 346
 339 208
 ITV 264 037 247
 JEC 035
 JVC 053 094 190 036
 193 371 218
 Kaisui 218 282 037 216
 455 217 009
 Kamp 216
 Kapsch 206 163 361 104
 Karcher 037 421 282 102
 Kendo 362 363 235 247
 102 037 428 411
 Kennedy 206 213 552
 Kingsley 216
 Kneissel 259 292 238 037
 411
 Kolster 037
 Konka 218 371
 Korpel 037
 Korting 421 320
 Lenco 009 104 163
 Lenoir 009
 Lesa 247
 Leyco 264 072 037 294
 Liesenkotter 037 327 328
 Lifetec 009 264 519 037
 374 218
 Lloyds 009
 Loewe 512 292
 Logik 011
 Luma 363 206 037 362
 259
 Lumatron 363 206 037 362
 259 361
 Lux May 037
 Luxor 237 290 357 543
 361 208 356 363
 M Electronic 346 037 512 109
 343 057 247 105
 104 374 009 217
 068 216 411
 Magnadyne 247 516 102 552
 Magnafon 516 213 076 102
 216
 Mandor 264
 Manesth 037 235 217 264
 320 035 294
 Marantz 037
 Mark 037 217

Matsui 235 177 009 355
 011 072 036 037
 217 294 371 433
 443 363
 Mediator 037 556 012
 Medion 037
 Melvox 400
 Memorex 009
 Memphis 337 072 009
 Mercury 037
 Metz 195 535 239 213
 554 275 367
 Minerva 535 070 076 554
 237
 Minoka 412 037 369 359
 Mitsubishi 108 150 512 036
 237
 Mivar 292 290 291 370
 216
 Motion 076
 MTC 370 349
 Multimat 432
 Multistandard 102 432
 Multitech 217 543 009 216
 247 102 363
 Murphy 104 216
 Naonis 363
 National 237
 NEC 036 320
 Neckermann 037 191 370 505
 554 556 552 327
 418 349 213 247
 217 411
 NEI 037 337 431 371
 Nesco 247
 Neufunk 037 556
 New Tech 037 009 556 343
 217
 New World 218
 Nicamagic 216
 Nikkai 072 218 037 217
 264 035 337 216
 009
 Nobliko 102 076 070 216
 Nogamatic 399 501 196
 Nokia 163 361 349 359
 473 347 351 339
 208 374
 Nordmende 109 501 287 399
 196 343 085 213
 299
 Novatronic 037 105
 Oceanic 163 212 400 361
 294 468 208
 Okano 370 037 264
 Omega 264
 Onwa 371 218 433
 Opera 037
 Orbit 037
 Orion 235 294 177 320
 355 011 037 009
 321 443
 Orline 037 218
 Osaki 072 218 217 264
 037
 Oso 218
 Osume 157 072

Otto Versand	010 505 036 093 512 037 556 535 195 544 349 554 191 361 235 109 213 294	Rex	206 363 411 259
Pael	216	RFT	292 428 072
Palladium	370 037 191 505 418 554 556 247 327 349 552 213	Roadstar	009 264 218 418
Panama	009 217 264 216 037 247	Roberts	406
Panasonic	226 250 126 213 361 237 367 347 516 037	Royal Lux	421 412
Panavision	037 411	Saba*	287 213 399 163 109 501 516 343 361 196 299 335 205
Pathe Cinema	163 238 216 400 320 301 292 349	Sagem	455
Pathe Marconi	205 213 501 301 196 299 333 399 237	Saisho	235 516 177 009 011 217 431 264
Pausa	009	Salora	290 349 356 359 361 516 363
Perdio	072 320	Sambers	213 516 102
Perfekt	037	Samsung	037 556 009 217 370 264 090 216 290 072 208
Philco	084 418 076 213 247 252 552 370 037	Sandra	216 217
Philharmonic	217	Sansui	037
Philips	037 556 012 323 554 191 193 343	Sanyo	208 157 292 036 011 370 339 072 216 515 217 104 213 045 544
Phoenix	037 320	SBR	037 556 012
Phonola	037 556 012 193 216	Schaub Lorenz	349 347
Pioneer	037 428 343 361	Schneider	037 012 057 544 519 394 352 336 259 323 343 217 247 371 218 361
Plantron	037 264 009	SEG	217 264 009 414 036 102 362 037 216
Playsonic	217	SEI	102 010 552 516 544 213 294 206 037
Poppy	009	Seleco	206 363 259 362 411
Prandoni-Prince	247 516 361 213 363 076	Sencora	009
Precision	217	Sentra	035 218 009
Prima	009 264	Serino	455
Prinz	072 057 544	Sharp	093 157 036 294 294
Profex	009 163 431	Shorai	294
Profi-Tronic	037 102	Siarem	552 102 213
Proline	321 072 037 012	Siemens	191 535 554 195 301 213 327 328 157 037
Prosonic	037 216 370 374	Sierra	037 556 012
Protech	037 217 009 247 349 102 264 431 418 337	Siesta	370
Pye	037 556 012	Silva	216
Pymi	009	Silver	036 361
Quadra Vision	400	Singer	102 400
Quasar	247	Sinudyne	177 235 102 213 294 552 361 516 544 010 206 037
Quelle	037 010 011 501 512 535 544 554 361 036 217 247 084	Skantic	357 356
Questa	036	Sogera	320
Radialva	109 218 431 037	Solavox	361 072 163
R-Line	037	Sonitron	208 370 339
Radiola	037 556 012 323 301	Sonoko	037 009 264 282 217
Radiomarelli	516 247 037	Sonolor	208 163 400 505
Radiotone	009 037 428 264	Sontec	037 370 294 037
Rank	070	Sony	010 505 011 036 102
Recor	037	Sound & Vision	102 218 374
Rediffusion	361 351	Soundwave	037 320 418
Redstar	037	Standard	218 009 217 320 037 374 037
Reflex	037		
Revox	037 370		

Star Lite 552 037
 Stenway 282 218
 Stern 206 259 363
 Strato 037 264
 Sunkai 294 355 321 455
 218 235
 Sunstar 371 037 009
 Sunwood 037 009
 Superla 516 216
 Supertech 009 037 216
 Supra 374 009
 Sutron 009
 Sydney 216 217
 Sytong 216
 Tandberg 367
 Tandy 218 072 217 247
 093
 Tashiko 036 217 216
 Tatung 072 516 217 272
 037 011
 TEC 217 009 247 471
 335 337
 Technema 320
 Teleavia 109 501 287 196
 399 205 333 299
 Telecor 037 163 218 217
 259
 Telefunken 109 501 471 399
 287 084 101 335
 252 262 306 073
 343 196 037
 Telegazi 037 163 259 218
 264
 Telemeister 320 037
 Telesonic 037
 Teletech 009 247 337 037
 Teleton 217 275 206 349
 259
 Televideon 320 552 216
 Televiso 400
 Temco 294
 Tensai 104 218 037 217
 294 320 009 105
 374 371
 Tenson 320
 Textet 217
 Thomson 287 399 109 501
 333 471 335 196
 205 299 237 343
 037
 Thorn 193 073 190 238
 084 104
 Tokai 072 037 337 163
 217 374
 Tokyo 216 035 035
 Tomashi 282
 Toshiba 035 553 036 070
 102
 Towada 349 102
 Trans Continens 217
 Trident 516 217
 Tristar 218
 Triumph 177 516 346 556
 Uher 076 037 057 206
 320 374 418 259
 Ultravox 102 374 216 552
 213 037
 Unic Line 037 473

Universum 346 105 535 473
 361 247 370 418
 011 512 294 036
 157 070
 Univox 337 037 163
 Vestel 037 552 217
 Vexa 009 037
 Videologique 216 218 217
 VideoSystem 037
 Videotechnic 216 320 217
 Videoton 356 431
 Visiola 216
 Vision 037 320
 Visorex 432
 Vistar 206
 Vortec 037
 Voxson 076 037 363 418
 Waltham 217 356 418 287
 037
 Watson 037 320 524 218
 464 213 519 394
 Watt Radio 213 102 544 552
 216
 Wega 213 036 037
 Wegavox 009
 Weltblick 037 320
 White
 Westinghouse 320 216 037 337
 Windstar 282
 Xrypton 037
 Yamashi 282 455 218 037
 217
 Yokan 037
 Yoko 217 037 218 264
 009 431 421
 Yorx 218
 Zanussi 206 363 217

VCRs

Adelsound 004
 Aiwa 307 000 041 209
 352 037
 Akai 106 315 053 281
 288 041 049 379
 020
 Akiba 072
 Akitan 295
 Akura 072 041
 Alba 278 072 333 334
 209 352 192 020
 295 000 315
 Allorgan 240
 Allstar 322 081
 Ambassador 020
 Amstrad 000 325 332 278
 Anitech 072 322
 Ansonic 004
 Aristona 081
 ASA 037 081
 Asuka 072 037 081 000
 Audiosonic 278
 Audioton 020
 Baird 106 278 104 107
 041 000
 Basic Line 278 209 020 072
 Bestar 278 020

Black Panther
 Line 278
 Blaupunkt 226 081 227 162
 006 195 403 003
 034
 Bondstec 020 072
 Brandt* 041 187 297 206
 320
 Brionvega 344
 Bush 072 278 315 333
 334 209 352
 Carena 209 081
 Carrefour 045
 Cathay 278
 Catron 020
 CGE 041 000
 Cimline 072 209
 Clatronic 020
 Combitech 352
 Condor 020 278
 Crown 278 072 020 322
 Daewoo 278 020 045
 Dansai 072 278
 Daytron 278
 Decca 000 041 081 008
 067
 DeGraaf 042 081 104 048
 Diamant 037
 Domland 209
 Dual 041 081
 Dumont 000 081 104 105
 ESC 278 240
 Elbe 278
 Elcatech 072
 Elin 240
 Elsay 072
 Elta 072 278
 Emerson 072 045
 ESC 278 020 240
 Etzuko 072
 Europhon 020
 Ferguson* 107 041 320 053
 000
 Fidelity 000 072
 Finlandia 104 081 042 000
 048
 Finlux 000 081 104 042
 105
 Firstline 072 209 043 037
 045 042
 Fisher 104 046
 Flint 209
 Frontech 020 322
 Fujitsu 000
 Funai 000
 Galaxis 278
 Galaxy 000
 GBC 020
 GEC 081
 General 020
 Goldhand 072
 Goldstar 037 000
 Goodmans 000 072 240 278
 062 037 020 343
 081 209 403
 Graetz 041 104 240 344
 Granada 104 046 048 081
 285 006 240 037
 226 042 235 000

Grandin 072 037 020 000
 278
 Grundig 007 195 081 347
 226 003 006 357
 420 403 320
 Hanseatic 037 209 278
 Hantor 020
 HCM 072 322
 Hinari 004 072 293 208
 209 352 041 322
 343
 Hisawa 209 352
 Hitachi 042 235 105 041
 145 285 000 240
 081 004 160 104
 Hypson 072 209 278
 Impego 020
 Imperial 000 240
 Ingersol 004
 Inno Hit 020 240 278 322
 072
 Interbuy 037 072
 Interfunk 081 104
 Intervision 000 278 037 209
 Irradio 072 037 081
 ITT 106 041 046 235
 344 345 384 104
 240
 ITV 278 037 020
 JVC 041 067 008 206
 384
 Kaisui 072
 Kendo 106 209 315 053
 072
 Kenwood 041
 Kneissel 352 209
 Korpel 072
 Leyco 072
 Loewe Opta 081 006 037 105
 004
 Logik 004 240 072 106
 209
 Luxor 106 046 043 072
 062 104
 M Electronic 000 037
 Magnavox 081 403
 Manesth 072 045 081 209
 Marantz 081 006 062 003
 295 209
 Marquant 322
 Matsui 209 004 192 295
 036 037 208 240
 352 332 000
 Mediator 081
 Medion 209
 M-Electronic 037 000
 Memorex 104 000 046 037
 048
 Memphis 072
 Metz 195 347 081 162
 227 226 006 003
 Migros 000
 Minerva 195
 Mitsubishi 043 067 081
 Multitech 000 072 020 104
 322
 Murphy 000
 National 226 162
 NEC 041 067

Neckermann 041 208 006 081
344
Nesco 072
Nikkai 020 072 278
Nokia 104 106 041 278
046 344 345 240
048 042 081
Nordmende* 041 297 384 320
187
Oceanic 000 048 106 081
104 041 046
Okano 315 209 072 322
Orion 209 004 036 208
352 295 343 333
334
Orson 000
Osaki 000 037 072
Otto Versand 081
Palladium 072 315 037 041
006 209 004 240
Panasonic 226 227 162 225
Pathe Cinema 036 004 043
Pathe Marconi 041
Perdio 000
Philco 072
Philips 081 006 403
Phonola 081
Pioneer 067 081 042 235
Portland 020 278
Prinz 000
Profex 322
Profi-Tronic 081 240
Proline 000 293
Prosonic 209 278
Provision 278
Pye 081
Quelle 006 208 081 344
Radialva 037 072 081 048
Radiola 081
Rex 041 384
RFT 020 403 072
Roadstar 240 072 037 278
Royal 322 072
Saba* 041 187 297 206
320 384
Saisho 004 209 208 192
036 145
Salora 046 043 106 345
104
Samsung 240 432
Samurai 020
Sansui 041 067 106
Sanwa 004
Sanyo 104 046 048
Saville 352 278 240
SBR 081
Schaub Lorenz 041 344 106 000
104
Schneider 072 000 037 081
042 278 240
SEG 072 240 322 278
SEI-Sinudyne 004 081
Seleco 041 008 384 020
037
Sentra 072 020
Sentron 072
Sharp 048 062
Shintom 072 104
Shivaki 037

Shorai 004
Siemens 195 006 037 104
007 081 003
Silva 037
Sinudyne 004 081
Solovox 020
Sonneclair 072
Sonoko 278
Sonolor 048
Sontec 037
Sony 033 034 032 106
Standard 278
Starlite 037 104
Stern 278
Sunkai 209 295
Sunstar 000
Suntronic 000
Sunwood 072
Supra 037 240
Symphonic 000 072
Taisho 004 209
Tashiko 000 048 240 081
037
Tatung 000 041 081 053
048
TEC 020 278 072
Teleavia* 041 187
Telefunken* 187 041 297 320
384
Teletech 322 072
Tenosal 072
Tensai 000 322 037 072
004
Thomson* 041 384 405 320
206
Thorn 041 104 037 036
Tokai 072 037
Toshiba 045 041 384 043
081 403
Towada 322 072
Towika 072
Triumph 208
TVA 020
Uher 037 240 344
Ultravox 344 278
Unitech 240
United Quick
Star 278
Universum 000 325 081 240
037 049 106 195
006 003 209 322
Victor 008 067
Watson 081
Weltblick 037
White
Westinghouse 344
Yamashi 072 278
Yokan 072
Yoko 037 072 020 240

Satellite receivers

Agir 520
Akai 515 200
Alba 421 515 455 091
254 362 374 613
Aldes 288 362 520
Allantide 333

Allsat 067 200 364 183
 Allsonic 288 369
 Alltech 586
 Alpha 200
 Altai 396
 Ampere 368 396
 Amstrad 080 461 509 252
 345 243 213 338
 396
 Ankaro 288 217 369 220
 320
 Anttron 421 183 613
 Apollo 421
 Arcon 368 272 217 373
 Armstrong 243
 ASA 397
 ASAT 373 200
 Ashin 272
 AST 351 350 321
 Aston 458 458
 Astra 108 373 376 530
 539 344 513 243
 346
 Astro 173 503 358 520
 613 369 501
 Atlantide 333
 Audioton 364 613
 Aura 539
 Avalon 396
 Axis 530 369 366
 Barcom 217
 Best 217 369
 Blaupunkt 173
 Boca 243 513
 Brain Wave 332
 Broadcast 346
 Broco 530
 Brunor 409
 BT Satellite 515
 Bush 091 254 067 328
 374 183 362
 Cambridge 256 344 515
 Camray 213
 Camundosat 093
 Channel Master 362
 Citycom 394
 Clatronic 332
 Clemens
 Kamphus 502 333
 CNT 520
 Columbus 297
 Commander 220
 Commlink 288
 Comtec 288 266 366
 Condor 369
 Connexions 093 458 396 369
 Conrad 573
 Contec 394 266 366
 Cosat 592 364
 Crown 243
 Daewoo 373
 Dansat 067 183
 DDC 362
 Decca 145
 Dew 366 373
 Diamond 586
 Diskxpress 217
 Distrisat 200
 Ditristrad 592

DNT 200 458 396
 Dong Woo 464
 DST 421
 Dual 373
 Dune 369
 Dynasat 376
 Echostar 170 218 280 396
 454
 Einhell 333 243 421 288
 252 513 501 353
 Elekta 520
 Elta 364 374 421 200
 369
 Emanon 421
 Emme Esse 376 369 502 328
 Engel 450
 EP Sat 455
 Eurocrypt 455 108
 Eurodec 524 526
 Europa 376 220 501 200
 Eurosat 243 586
 Eurosky 243 369
 Eurospace 353
 Eurostar 374 539
 Exator 421 515 613
 Fagor 592 364
 Ferguson* 067 183 455 336
 614 328
 Fidelity 252 461 368
 Finlandia 455 108
 Finlux 455 514 344 108
 414 573
 Finnsat 524
 Fracarro 421
 France Satellite 297
 Freecom 335 421
 FTE 266 411 368 331
 369
 Fuba 297 217 227 369
 396 421 173 298
 441 414 172 573
 394 108
 G-Sat 183 333
 Galaxi 217
 Galaxis 366 288 364 530
 592 369
 Galaxisat 321
 GMI 243
 Goldstar 335
 Goodmans 101 455
 Granada 108
 Grundig 173 328 571 463
 345
 Hanseatic 605
 Hantor 421 464 332
 Hanuri 520
 Harting &
 Helling 333 177 502
 HCM 353
 Heliocom 368
 High
 Performance 177
 Hinari 362 183 374 421
 Hirschmann 287 333 397 398
 173 573 495 442
 502 501
 Hisawa 332
 Hitachi 328 455
 Houston 592 220 461

Huth 346 332 364 366
 288 220 502 243
 Imperial 254 485
 Intertronic 243
 Intervision 592 364
 ITT/Nokia 328 108 573 172
 455 397
 Johansson 332 364
 JVC 515 571
 Kathrein 331 358 173 394
 442 504 480 200
 092 333 613
 Kolon 421
 Kosmos 331 442 335 502
 KR 613
 Kreiselmeier 173
 Kyostar 421 613
 Lasat 424 464 513 520
 369 366 243
 Lenco 335 411 220 373
 450 421 530
 Lennox 592
 Lenson 501
 Lexus 200
 Leyco 515
 Lifesat 605 369
 Lion 333 353
 Loewe 243
 Lorenzen 220
 Lorraine 335
 Lupus 369
 Luxor 172 108 345 573
 Macab 524 586
 MagSat 464
 Manhattan 455 592 328 520
 364
 Marantz 200
 Mascom 442
 Maspro 092 336 328 495
 Master's 394
 Matsui 344 571 362
 MB 605
 Mediamarkt 243
 Mediasat 530 501
 Medion 369
 Mega 200
 Metronic 421 243 613 288
 520
 Metz 173
 Micro
 Technology 333 539 353 530
 Mimtec 226
 Minerva 571
 Mitsubishi 455
 Mitsumi 513
 Morgans 348 243 200 513
 364
 Multistar 331 464
 Muratto 335 321
 M & B 539
 Nagai 298
 Navex 332
 NEC 178
 Network 183
 Neuhaus 530 501 220 592
 Nikko 243
 Nokia 328 108 573 172
 455 397

Nordmende 362 455 520 421
 614 254
 Novis 332
 NTC 502
 Oceanic 586 333 353
 Octagon 373 421 220 366
 613 374
 Okano 243 502 331
 Omegasat 348
 Optex 394 592 364
 Optima 502
 Orbit 350 351 373 333
 Orbitech 501 541 421 262
 Origo 497
 Osat 345
 Oxford 344 515
 Pace 455 328 067 183
 336 439 101
 Pacific 586
 Palcom 227 297 298 441
 362
 Palladium 243 571 421
 Palsat 501
 Paltec 227
 Panasonic 455 328
 Panda 455 067 108
 Patriot 515
 Philips 200 220 183 455
 463 328 613 217
 353
 Phoenix 366 101 183
 Phonotrend 288 592 364 502
 PK Sat 333
 Polytron 394 396
 Predki 332 421
 Preisner 243 513
 Premier 592 502
 Profi 450
 Prosat 254 288 485 362
 Protek 586 333
 Proton 333
 Provision 520
 PTT Telecom 213
 Quadral 362 288 369
 Quelle 252
 Radiola 200
 Radix 396 458
 Rainbow 613
 RE 226
 Redpoint 530
 Red Star 369
 Revox 226
 RFT 541 288 220 200
 Ruefach 450
 Saba 254 183 520 328
 336 614 353 520
 Sabre 455
 Sagem 524
 Sakura 101 366
 Salora 108 172
 Samsung 272 287 421
 SAT 351 350 321 461
 501 362
 Satcom 213 346 605
 Satec 183 328
 Satelco 369
 Satford 346
 Satmaster 346 272

Satpartner 332 502 421 335
 520 613
 Satsie 374
 Sat Team 368
 Schäcke 613
 Schwaiger 394 183 605 504
 SE 462
 Sedea
 Electronique 421
 Seemann 396 243 530 515
 SEG 421 369 374 539
 332 605
 Seleco 592 364
 Siemens 173
 Silva 335
 Skardin 530
 Skymaster 288 605
 Skymax 200 333 539
 Skyvision 364
 Sony 455
 SR 513
 Starion 539 374
 Starring 332
 Stella 093
 Strong 421 266 613 369
 520 373
 Sumida 243
 Sunny Sound 369
 Sunsat 530
 Sunstar 513 243 369
 Supersat 376
 Syntrack 213
 Tagra 364 297
 Tandberg 524
 Tantec 297 298 227 328
 336 455
 Tatung 145
 Techniland 346 592 364
 Technisat 261 262 320 409
 501 541 458
 Teco 373 243 513
 Telasat 605
 Teleciel 613
 Telecom 093
 Teledirekt 183
 Telefunken* 421 328
 Teleka 243 442 613 396
 501
 Telemaster 520
 Telemax 424
 Telesat 605 409
 Telestar 501
 Teleste 415
 Televes 455 501 328
 Telewire 592 364
 Tensai 373
 Thomson 455 614
 Thorens 586
 Thorn 328 455
 Tioko 394
 Tokai 200
 Tonna 346 455 592 364
 501
 Toshiba 455
 Trendline 513
 Trend Plain 513
 Triad 351 350 177 335
 321 333 372
 Triasat 414 501

Triax 414 501
 Tristar 266 373
 Uniden 151 194
 Unisat 366 243 200
 Unitor 217 332
 Universum 514 173 571 397
 Variosat 173
 Vector 333 353
 Ventana 200
 Visiosat 351
 Viva 220
 Vortec 287 421 272
 V-Tech 351 462 321 350
 Wewa 333 455 353
 Winersat 332
 Wintergarten 288
 Wisi 173 321 372 396
 406 407 415 455
 351
 Wolsey 177
 Woorisat 520
 World 332
 Xrypton 369
 Zehnder 321 331 426 520
 504 369 394
 Zeta Technology 200
 Zodiac 613
 Zwergnase 243

Cable converters

BT Cable 105
 Cabletime 161 271 377 448
 Clyde Cable 086
 Cryptovision 600
 Decsat Canal+ 423
 Filmnet
 Cablecrypt 443
 France Telecom 451
 GEC 086
 Grundig 529
 Jerrold 003 276 014
 M-Net 443 019
 Movie Time 156
 Oak 019
 Pioneer 144 260 533
 PVP Stereo
 Visual Matrix 003
 Salora 382
 Samsung 144
 Satbox 375
 Scientific
 Atlanta 008 277 017
 STS 156
 Tele+1 443
 Telepiu 443
 Teleservice 281
 Tudi 286
 United Cable 003
 Videoway 250
 VisiCable+ 481
 Visiopass 451
 Westminster
 Cable 105
 Wolsey Gene 544
 Zenith 000 525

CD players

Aiwa	124 249 419
Akai	198 199 156
Alba	334 536 288
Arcam	157
Asuka	581
Audiosonic	581
Audioton	157
Bush	388
California Audio Lab	029
Cyrus	157
Denon	034 003
Dual*	139 581
Emerson	305
Fisher	342
Genexxa	000 037 096 426
	032 305
Goldstar	383 525 561
Goodmans	305 280 561 536
	585
Grundig	157
Hitachi	291 139
Intersound	581
JVC	072
Kenwood	037 190 028 523
Kodak	287
Linn	157
Luxman	328
M Electronic	525
Marantz	157 307
Matsui	288 307 157
Memorex	032 305
Meridian	157
Micromega	157
Mission	157
Mitsubishi	156
NAD	000

Naim	157
Onkyo	101
Panasonic	029 303 388
Philips	157 527 274 287
Pioneer	032 096
Proton	157
Quad	157
Revox	113 157
Roadstar	461 527 525
Rotel	157
Saba	139
SAE	157
Sansui	157 305 513
Sanyo	342
Schneider	581
Scott	305
Sharp	037 262 265
Sherwood	426
Siemens	516
Sony	000 397 490
Sunwood	581
Technics	029 207 303
Telefunken	139
Thomson	139
Toshiba	481 528
Universum	157
Victor	072
Yamaha	036 187
Yorx	461

Home Automation

One-For-All X-10 System	167
Universal X-10 System	167
X-10 One-For-All System	167

**Excludes a few models which operate on infrared frequencies over 100 kHz.*

Guarantee

UNIVERSAL ELECTRONICS INC./ONE FOR ALL warrants to the original purchaser that this product will be free from defects in materials and workmanship under normal use for a period of ninety (90) days from the date of the original purchase. Product will be replaced free of charge if it has been proven to be defective within the 90-day period when said product is returned at customer expense within the warranty period. THIS WARRANTY DOES NOT COVER ANY EXPENSES INCURRED IN THE REMOVAL AND REINSTALLATION OF THIS PRODUCT.

This warranty does not cover damage or failures caused by products or services not supplied by ONE FOR ALL, or which result from accident, misuse, abuse, neglect, mishandling, misapplication, faulty installation, set-up adjustment, improper maintenance, alteration, maladjustment of consumer controls, modifications, commercial use, fire, water, lightning or other acts of God. This warranty does not cover cartons, carrying cases, batteries, broken or marred cabinets, or any other items used in connection with the product.

There are no express warranties except as listed above. ONE FOR ALL SHALL NOT BE LIABLE FOR INCIDENTAL OR CONSEQUENTIAL DAMAGES RESULTING FROM THE USE OF THIS PRODUCT OR ARISING OUT OF ANY BREACH OF WARRANTY. ALL EXPRESS AND IMPLIED WARRANTIES, INCLUDING THE WARRANTIES OF MERCHANTABILITY AND FITNESS FOR A PARTICULAR PURPOSE, ARE LIMITED TO THE WARRANTY PERIOD SET FORTH ABOVE. Some countries do not allow the exclusion or limitation of incidental or consequential damages, or limitation on how long an implied warranty lasts, so the above exclusions or limitations may not apply to you. This warranty gives you specific legal rights and you may also have other rights which vary from country to country.

To obtain warranty service during the warranty period, please carefully pack the product and send it prepaid and adequately insured to the address below, together with your purchase receipt or other proof of the date of original purchase.

In the UK:	In Ireland:	In Australia:
ONE FOR ALL Ltd	Sherlane Agencies Ltd.	Kenmark Industrial (A)
P.O. Box 197	Rockford Works	CO. PTY. LTD.
Yateley Hampshire	Deansgrange Road,	106 Mitchell Street
GU46 6ZR	Blackrock, County Dublin	Maidstone VIC 3012

IMPORTANT:

IF THE UNIT IS RETURNED WITHIN THE WARRANTY PERIOD, YOU MUST INCLUDE YOUR PURCHASE RECEIPT so that we may establish your eligibility for service and can replace your unit without cost. It would be helpful if you included a note detailing the problem. **IF THE UNIT IS RETURNED FOR SERVICE OUTSIDE THE WARRANTY PERIOD,** please include a cheque to cover the cost of replacement, handling and return postage. (Prices may differ per model. Please contact ONE FOR ALL customer service in your country for exact amount.)

NOTHING IN THIS GUARANTEE AFFECTS YOUR STATUTORY RIGHTS.

ONE FOR ALL and the ONE FOR ALL 5 are trademarks of Universal Electronics Inc.

Copyright 1995, 1996, 1997, 1998 by Universal Electronics Inc. All rights reserved. No part of this publication may be reproduced, transmitted, transcribed, stored in any retrieval system, or translated to any language or computer language, in any form, by any means, electronic, mechanical, or otherwise, without prior written permission of Universal Electronics Inc.

URC-2505
700317



SdL 1098



Printed on Recycled Paper

Free Manuals Download Website

<http://myh66.com>

<http://usermanuals.us>

<http://www.somanuals.com>

<http://www.4manuals.cc>

<http://www.manual-lib.com>

<http://www.404manual.com>

<http://www.luxmanual.com>

<http://aubethermostatmanual.com>

Golf course search by state

<http://golfingnear.com>

Email search by domain

<http://emailbydomain.com>

Auto manuals search

<http://auto.somanuals.com>

TV manuals search

<http://tv.somanuals.com>