



1720 Hayden Drive
Carrollton, TX 75006
P: 469.892.1122
F: 469.892.1123
www.upgi.com

chargers & maintainers

model # 24BC5000TF-1

upg #71704

Specifications:

3-Stage Switch Mode Fan Cooled Charger for AGM Sealed Lead Acid Batteries

Input Voltage:	100VAC- 240VAC
Input Frequency:	50Hz- 60Hz
Output Voltage:	
Bulk Charge:	29.4VDC +/- 0.5VDC
Float Charge:	27.4VDC +/- 0.5VDC
Output Current:	
Bulk Charge:	5A +/- 0.5A
Float Charge:	<1.2A
Over-Voltage Protection:	<30VDC
Over-Current Protection:	<5.5A
Leakage Current:	3mA Max.
Input Power (Watts):	<180 Watts
Input Standby Power (Watts):	<8 Watts
Efficiency:	75%
Battery Size Range:	12AH - 50AH
Dielectric Withstand Voltage:	4.2KV for 1 min. @ 3.5mA
Insulation Resistance:	50 MΩ @ 500VDC, Input to Output
Operating Temperature:	-10 Deg. Cent. to +40 Deg. Cent.
Storage Temperature:	-10 Deg. Cent. to +80 Deg. Cent.



LED Status Indication:

LED 1: Power indicator – Power ON Red

LED 2: Dual color

Fast charge – Red

Float Charge - Green

Protection:

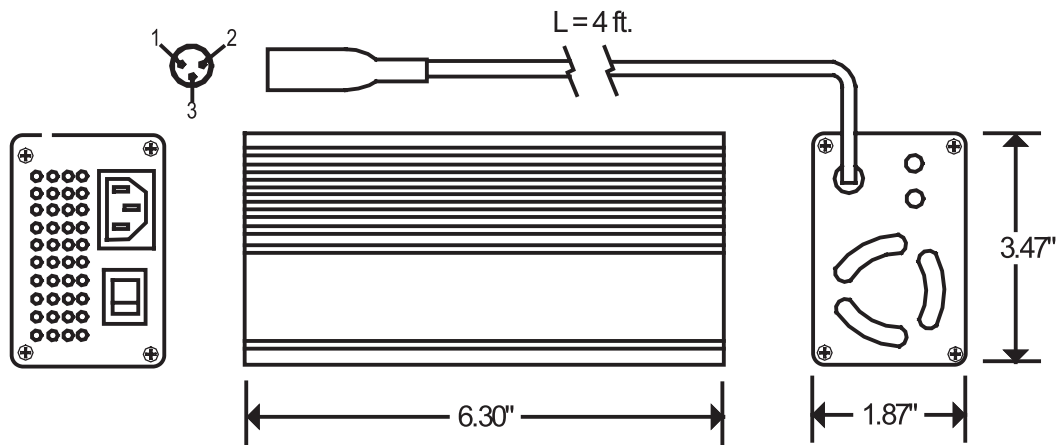
Short Circuit Protection, Over Current Protection, Over Voltage Protection, Polarity Reversal

Connector:

3 Pin D (XLR type), Pin 1 = Positive, Pin 2 & 3 = ground

Safety Standards:

UL1012, CUL, FCC Part 15- Class B



Note: 1) Charger supplied with 5 ft. AC 3-prong cord
2) Case material - Aluminum

Free Manuals Download Website

<http://myh66.com>

<http://usermanuals.us>

<http://www.somanuals.com>

<http://www.4manuals.cc>

<http://www.manual-lib.com>

<http://www.404manual.com>

<http://www.luxmanual.com>

<http://aubethermostatmanual.com>

Golf course search by state

<http://golfingnear.com>

Email search by domain

<http://emailbydomain.com>

Auto manuals search

<http://auto.somanuals.com>

TV manuals search

<http://tv.somanuals.com>