



Philips
plasma monitor

46"
WVGA

BDS4622V



High Quality Public Display Solution

46" Wide VGA Plasma Monitor

This large VGA plasma monitor is designed for indoor public display applications where outstanding picture quality and color display quality count. Due to the size it is an effective eye catcher to guarantee optimal display of your message.

Operational flexibility

- Monitor is network controllable for remote management
- Multiple PC input formats up to WXGA
- Built-in audio amplifier with SRS and speakers
- Quiet and reliable fanless operation
- Enhanced zoom feature supports tiled matrix applications

Optimized for public viewing

- High brightness (1000cd/m²) and 3000:1 contrast ratio
- High speed color rendering for natural color reproduction
- De-contouring for better gray level display at low luminance
- 3D combfilter separates colors for a razor-sharp image
- PiP allows watching a second source simultaneously

Lower total cost of ownership

- Advanced anti burn-in functions to prevent ghost images

PHILIPS
sense and simplicity

Specifications

Picture/Display

- Panel Size: 46" / 117.8cm
- Aspect ratio: 16:9
- Panel resolution: wVGA (854 x 480 pixels)
- Pixel pitch: 1.182 x 1.182 mm
- Brightness: 1000 cd/m²
- Contrast ratio (typical): 3000:1
- Display colors: 16.7 Million colors
- Viewing angle: 160° (H) / 160° (V)
- Horizontal Scanning Frequency: 30 - 91 kHz
- Vertical Scanning Frequency: 50 - 85 Hz
- Picture enhancement: 3/2 - 2/2 motion pull down, 3D Combfilter, De-contouring, Picture in Picture
- Recommended Resolution: 848 x480 @ 60Hz

Supported Display Resolution

• Computer formats

Resolution	Refresh rate
640 x 480	60, 72, 75, 85Hz
720 x 400	70Hz
800 x 600	56, 60, 72, 75,85Hz
848 x 480	60Hz
1024 x 768	60, 70, 75, 85Hz
1024 x 768	60Hz

- VGA 640 x 400: 85 Hz
- MAC 640 x 480: 67 Hz
- MAC 832 x 624: 75 Hz
- Video formats

Resolution	Refresh rate
480i	60Hz
480p	60Hz
576i	50Hz
576p	50Hz
720p	50, 60Hz
1080i	60Hz
1080i	50Hz

Connectivity

- PC: DVI-D x1, VGA-in D-Sub 15HD, RS232 D-Sub9, 3.5 mm PC audio input x1
- AV input: Composite (CVBS) x1, Component (YPbPr) x1, Scart 2x
- Audio cinch out: Analog audio output L/R
- Audio input for video: Audio Left/Right (RCA x 2)
- Connectivity Enhancements: External

Loudspeaker connector

Convenience

- Screen Format Adjustments: 5x zoom function for matrixing
- Picture in Picture: Picture in Picture All Inputs, Double window
- Network controllability: RS232
- Convenience Enhancements: On-screen Display
- Monitor Controls: Left/Right, Power On/Off, Up/Down
- OSD Languages: English, French, German, Italian, Spanish
- SRS sound processing
- Built-in Audio: Built-in amplifier (2x10) and 2 Watts RMSx2 stereo speakers
- DPMS power saving system
- Screen saving functions: Full white, image reverse, pixel shift
- Regulatory Approvals: CE Mark, FCC-B, UL, CSA

Power

- Consumption: 330 Watts (average)
- Power supply: 100-240VAC, 50/60Hz
- Sleep Mode: 5 Watts Max.

Dimensions

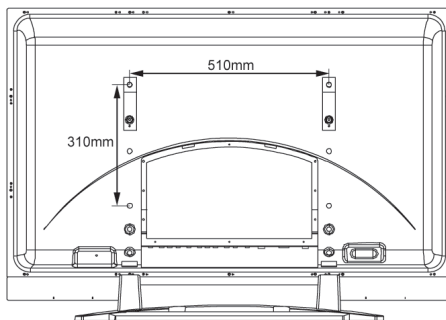
- Dimensions (without base) (W x H x D): 1138 x 691 x 98 mm
- Weight: 37 kg
- Temperature range (operation): 0°C to 40°C
- Relative humidity: 20% - 80%
- Lifetime to 50% brightness: 30000 hr

Accessories

- Included Accessories: AC Power Cord, Remote Control, Battery, S-video cable, AV cable, 3xRCA to 3x RCA, Audio Cable, VGA cable
- User Guide on CD-ROM
- Optional accessories: Ceiling mount, Flexible wall mount, Fixed wall mount, Table top stand
- User Manual: Eng, Ger, Fre, Spa, Ita

Miscellaneous

- Bezel: Metallic Antracite



Product highlights

Network controllability: RS232

Network controllability allows user to control and adjust monitors remotely through RS232 protocol.

Multiple PC input formats

The product supports PC compatibility for VGA, SVGA, XGA and WXGA. A universal public display solution requires versatile PC input support.

Built-in audio amp with SRS

If an application requires better sound quality, then this monitor provides SRS surround sound processing, built-in speakers and the ability to connect bigger external speakers

Fanless operation

A system without fans is quiet and doesn't collect dust inside the monitor. No moving parts inside the monitor will thus improve the reliability of the product.

Zoom function for tiled matrix

The internal zoom function enables easy implementation of a video wall matrix, without the need for expensive external equipment. Capable of 2x2, 3x3, 4x4 and 5x1 configurations.

High brightness & contrast

High brightness and contrast values are extremely beneficial in public environments where lighting conditions are variable and often beyond control.

High speed color rendering

It is difficult to do the color rendering for both NTSC and EBU color space in conventional PDP. The built-in 12-bit high speed circuit brings pure, rich natural color reproduction in both the NTSC and EBU color space

De-contouring

Conventional PDP's often show contouring in lower grey levels because of insufficient grey level resolution. A proprietary technology has been implemented to minimize contouring resulting in better and smoother gradients.

3D Combfilter

The 3D comb filter separates brightness and color signals better in 3D domain to eliminate cross-color, cross-luminance and dot-crawl distortion - all of which detract from your viewing pleasure. The 3D digital comb filter performs field-by-field comparisons of the television image to accurately separate the color from the black-and-white information and remove both horizontally and vertically hanging dots, as well as dot crawl. The result is a razor sharp image.

Picture In Picture (PIP)

Provides the ability to watch simultaneously two different sources, either two video sources or a combination with data/graphics

Advanced anti burn-in function

A protective function called "pixel shift" has been implemented. When the protection mechanism is activated the screen image automatically shifts its pixel positions to prevent "image ghosting". Secondly, burn-in recovery has been implemented. Depending on the model, ghost images are removed by applying a full white signal on the whole panel for a certain amount of time or by reversing the image to achieve the same result.



Issue date 2008-06-16

Version: 4.0.8

12 NC: 8639 000 15945
EAN: 87 10895 87875 3

© 2008 Koninklijke Philips Electronics N.V.
All Rights reserved.

Specifications are subject to change without notice.
Trademarks are the property of Koninklijke Philips Electronics N.V. or their respective owners.

www.philips.com

Free Manuals Download Website

<http://myh66.com>

<http://usermanuals.us>

<http://www.somanuals.com>

<http://www.4manuals.cc>

<http://www.manual-lib.com>

<http://www.404manual.com>

<http://www.luxmanual.com>

<http://aubethermostatmanual.com>

Golf course search by state

<http://golfingnear.com>

Email search by domain

<http://emailbydomain.com>

Auto manuals search

<http://auto.somanuals.com>

TV manuals search

<http://tv.somanuals.com>