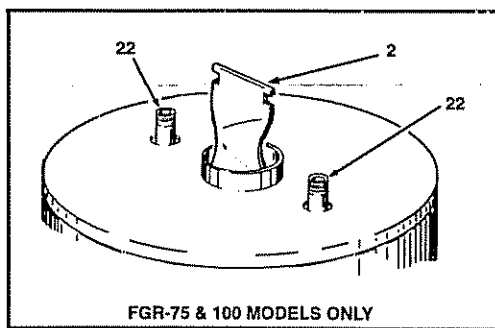


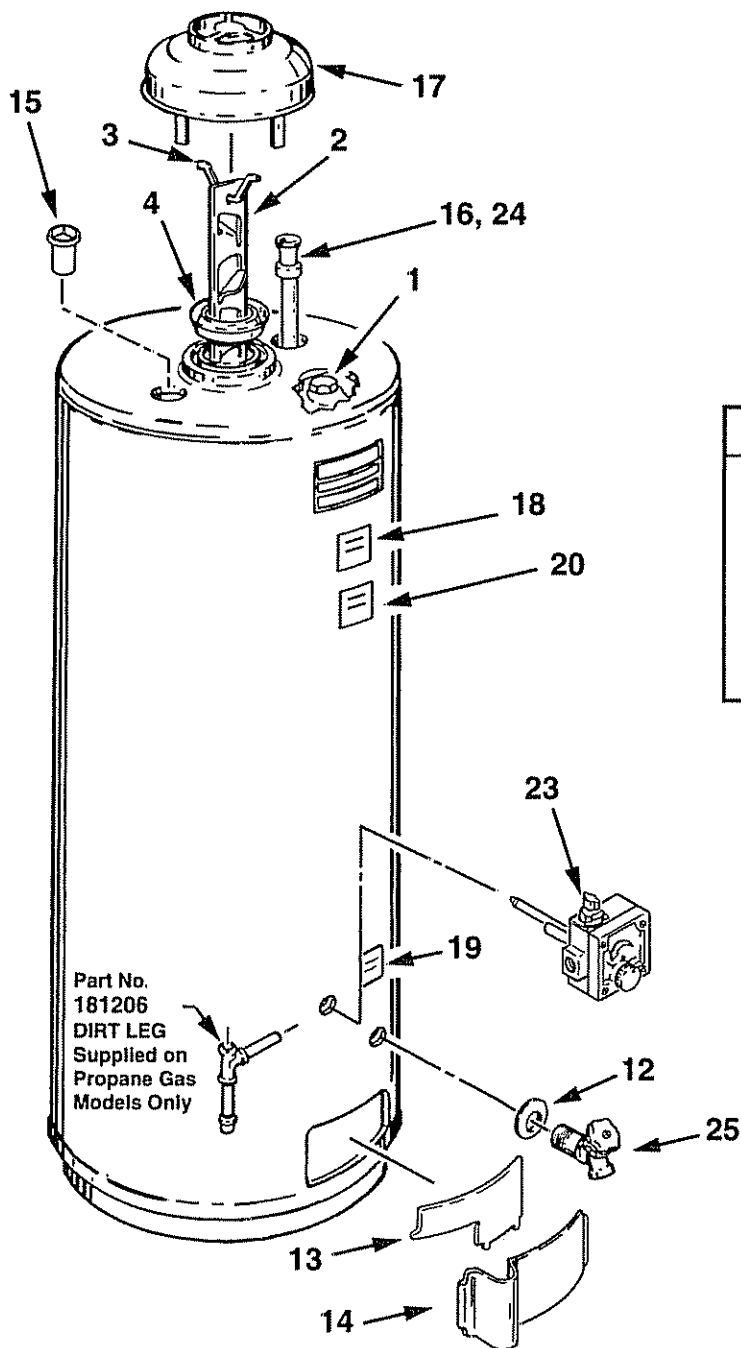
RESIDENTIAL WATER HEATER PARTS LIST
MODELS FGR-30, 40, 50, 75, 100
SERIES: 231, 232, 233
236, 237



T&P VALVE EXTENDER
 FOR USE WITH PART NO. 23740-1
 (FGR-75 & 100 MODELS)

"A" DIMENSION

| | |
|------------------|--------|
| PART NO. 42931 | 3 1/4" |
| PART NO. 42931-1 | 2" |



RELIEF VALVE
 75 & 100 MODELS

26

AUTOMATIC (SELF CLOSING) TYPE

| PRESS. | *TYPE | SIZE | TEMP RELIEF |
|----------|-------|-------------|-------------|
| 150 lbs. | T & P | 3/4" X 3/4" | 210° |

PART NO. 23740-1

*Temperature & Pressure

RELIEF VALVE
 FGR-30, 40 & 50 MODELS

26

AUTOMATIC (SELF CLOSING) TYPE

| PRESS. | *TYPE | SIZE | TEMP RELIEF |
|----------|-------|-------------|-------------|
| 150 lbs. | T & P | 3/4" X 3/4" | 210° |

PART NO. 43151-2

*Temperature & Pressure

5 BURNER ASSEMBLY
 FGR-75 & 100 MODELS

Lock Nut, Part No. 29001

5 BURNER ASSEMBLY
 FGR-30, 40 & 50 MODELS

ON FGR-30, 40 & 50 SMR R99 MODELS ONLY

FLAME SPREADER
 PART NO. 181101

WING NUT
 PART NO. 150629

MAIN BURNER
 PART NO. 181606-1

| Item | Description | FGR 30 236/237 43817-38 | FGR 40 236/237 43817-38 | FGR 50 236/237 43817-38 | FGR 75 230 thru 233 43817-38 | FGR 100 230/231 180618-50 |
|----------------|---|----------------------------------|----------------------------------|----------------------------------|---------------------------------------|------------------------------------|
| 1 | Anode BAFFLE | | | | | |
| 2 | Baffle, Flue | 181589 | 181589 | 181589 | 10089-1 | 160698-1 |
| 3 | Hanger, Baffle | 181360 | 181360 | 181360 | ----- | ----- |
| 4 | Restrictor, Flue | 34894 | 34894 | 34894 | 35405 | 35405 |
| 5 | BURNER ASS'Y, MAIN - NAT FGR-75 Series 230 Only | 182666-15 | 182666-19 | 182666-24 | 180653-10 180653-4 | 180653-5 |
| 5 | BURNER ASS'Y, MAIN - PROP FGR-75 Series 233 Only | 182666-16 | 182666-20 | 182666-25 | 181786 181786-2 | 181786-1 |
| 6 | Burner, Main - Nat FGR-75 Series 230 Only | 181806 | 181806 | 181806 | 41157-1 41157 | 41157-1 |
| 6 | Burner, Main - Prop FGR-75 Series 233 Only | 181806 | 181806 | 181806 | 41157 41157-1 | 41157-1 |
| 7 | Burner Ass'y, Pilot - Nat | <u>182165-3</u> | <u>182165-3</u> | <u>182165-3</u> | <u>160228</u> | <u>160228</u> |
| 7 | Burner Ass'y, Pilot - Prop | <u>182165-4</u> | <u>182165-4</u> | <u>182165-4</u> | <u>160228-1</u> | <u>160228-1</u> |
| 8 | Orifice, Main - Nat | 181508-31 | 181508-31 | 181508-31 | 29366-23 | 29366-23 |
| 8 | Orifice, Main - Prop | 181791-50 | 181791-50 | 181791-50 | 181778-37 | 181778-37 |
| 9 | Thermocouple | <u>23673</u> | <u>23673</u> | <u>23673</u> | <u>23675</u> | <u>23675</u> |
| 10 | Tube, Main Burner - Nat FGR-75 Series 230 Only | 182592-1 | 182592-2 | 182592-4 | 39114-3 39114-1 | 39114-1 |
| 10 | Tube, Main Burner - Prop FGR-75 Series 233 Only | 182593-1 | 182593-2 | 182593-4 | 181784-3 181786-2 | 181784-1 |
| 11 | Tube, Pilot | 23925-16 | 23925-16 | 23925-16 | 23330 | 23330 |
| 12 | Collar, Pipe DOOR | 20172-14 | 20172-14 | 20172-14 | 20172-6 | 20172-6 |
| 13 | Inner | 180596 | 180596 | 180596 | 39923 | 39923 |
| 14 | Outer | 180522-700 | 180522-700 | 180522-700 | 39912-701 | 39912-701 |
| 15 | Heat Trap, Outlet - "T" Models Only | 181235 | 181235 | 181235 | ----- | ----- |
| 16 | Heat Trap, Inlet Tube - "T" Models Only | 181068-35 | 181068-35 | 181068-35 | ----- | ----- |
| 17 | Hood, Draft LABEL | 181082-700 | 181082-700 | 181082-700 | 39072-200 | 39072-200 |
| 18 | Flammable Warning | 181139 | 181139 | 181139 | 181139 | 181139 |
| 19 | Lighting & Operating | 180310 | 180310 | 180310 | 180310 | 180310 |
| 20 | Scald Warning | 181138 | 181138 | 181138 | 181138 | 181138 |
| 21 | Manual, Instruction | 182581 | 182581 | 182581 | 182581 | 182581 |
| 22 | Nipple THERMOSTAT | ----- | ----- | ----- | 43879 | 41319 |
| 23 | Nat FGR-75 Series 230 Only | <u>180193-4</u> | <u>180193-4</u> | <u>180193-4</u> | <u>180193-8</u> 180193-5 | <u>180193-5</u> |
| 23 | Prop FGR-75 Series 233 Only | <u>181775-3</u> | <u>181775-3</u> | <u>181775-3</u> | <u>181797</u> 181797-1 | <u>181797</u> |
| 24 | Tube, Inlet | 21067-37 | 21067-37 | 21067-37 | 41072-29 | 41932-30 |
| 25 | Valve, Drain | 42037-3 | 42037-3 | 42037-3 | 26273-7 | 26273-7 |
| 25 | FGR-75 Series 232/233 Only | ----- | ----- | ----- | 26276-6 | ----- |
| 26 | Valve, T & P | 43151-2 | 43151-2 | 43151-2 | ----- | ----- |
| SMR S44 | | | | | | |
| 1 | Anode | 29109-44 | 43816-38 | 29109-44 | 29109-44 | 29109-48 |
| 16 | Heat Trap, Inlet Tube - "T" Models Only | 181295-35 | 181295-35 | 181295-35 | ----- | ----- |
| 22 | Nipple | ----- | ----- | ----- | 86979-5 | 92706-3 |
| 24 | Tube, Inlet | ----- | ----- | ----- | 41931-29 | 41932-30 |
| SMR R99 | | | | | | |
| 1 | Anode | 181125-42 | 181125-42 | 181125-42 | ----- | ----- |
| 5 | BURNER ASS'Y, MAIN - NAT | 182258-9 | 182258-11 | 182258-13 | ----- | ----- |
| 7 | Burner Ass'y, Pilot - Nat | 182099-7 | 182099-7 | 182099-7 | ----- | ----- |
| 8 | Orifice, Main - Nat | 181508-33 | 181508-33 | 181508-33 | ----- | ----- |
| 21 | Manual, Instruction | 181809 | 181809 | 181809 | ----- | ----- |
| SMR S06 | | | | | | |
| 1 | Anode | 181125-42 | 181125-42 | 181125-42 | ----- | ----- |
| 5 | BURNER ASS'Y, MAIN - NAT | 182666-17 | 182666-22 | 182666-26 | ----- | ----- |
| 7 | Burner Ass'y, Pilot - Nat | 182165-3 | 182165-3 | 182165-3 | ----- | ----- |
| 8 | Orifice, Main - Nat | 181508-32 | 181508-32 | 181508-32 | ----- | ----- |
| 21 | Manual, Instruction | 181809 | 181809 | 181809 | ----- | ----- |
| SMR S19 | | | | | | |
| 1 | Anode | 29109-44 | 43816-38 | 29109-44 | 29109-44 | 29109-48 |
| SMR K32 | | | | | | |
| 1 | Anode | 29109-44 | 43816-38 | 29109-44 | 29109-44 | 29109-48 |
| 5 | BURNER ASS'Y, MAIN - NAT | 182666-17 | 182666-22 | 182666-26 | 180653-8 | 180635-9 |
| 7 | Burner Ass'y, Pilot - Nat | 182165-3 | 182165-3 | 182165-3 | 160228 | 160228 |
| 8 | Orifice, Main - Nat High Altitude Ass'y | 181508-32 182573 | 181508-32 182573 | 181508-32 182573 | 29366-26 182573 | 29366-26 182573 |
| SMR S29 | | | | | | |
| 1 | Anode | 29109-44 | 43816-38 | 29109-44 | ----- | ----- |
| 22 | Nipple | 38469-10 | 38469-10 | 38469-10 | 86979-5 | 92706-3 |
| SMR S45 | | | | | | |
| 1 | Anode | 181125-42 | 181125-42 | 181125-42 | ----- | ----- |
| 22 | Nipple | 38469-4 | 38469-4 | 38469-4 | ----- | ----- |
| SMR S33 | | | | | | |
| 1 | Anode | 29109-44 | 43816-38 | 29109-44 | 29109-44 | ----- |
| 5 | BURNER ASS'Y, MAIN - PROP | 182666-18 | 182666-23 | 182666-27 | ----- | ----- |
| 7 | Burner Ass'y, Pilot - Prop | 182165-4 | 182165-4 | 182165-4 | ----- | ----- |
| 8 | Orifice, Main - Prop High Altitude Ass'y | 181791-51 182573 | 181791-51 182573 | 181791-51 182573 | ----- 182573 | ----- ----- |
| SMR H43 | | | | | | |
| 22 | Nipple | ----- | ----- | ----- | 86979-5 | 92706-3 |
| 24 | Tube, Inlet | ----- | ----- | ----- | 41931-29 | 41932-30 |
| 26 | Valve, T & P | ----- | ----- | ----- | 43151-2 | 43151-2 |

T denotes Heat Trap Models.

Underlined parts are recommended stock items for emergency replacement

Standard hardware items may be purchased locally.

* Not illustrated

Download from www.Somanuals.com. All Manuals Search And Download.

Free Manuals Download Website

<http://myh66.com>

<http://usermanuals.us>

<http://www.somanuals.com>

<http://www.4manuals.cc>

<http://www.manual-lib.com>

<http://www.404manual.com>

<http://www.luxmanual.com>

<http://aubethermostatmanual.com>

Golf course search by state

<http://golfingnear.com>

Email search by domain

<http://emailbydomain.com>

Auto manuals search

<http://auto.somanuals.com>

TV manuals search

<http://tv.somanuals.com>