

VIP-800 NETWORKED PAGING ZONE EXTENDER

INTRODUCTION

The VIP-800 enables voice access to a single zone of one-way paging over an IP-based LAN/WAN. This will allow page zone extension anywhere on the network.



SPECIFICATIONS

Access Methods

- PABX (VIP-820 connected to a station port)
- VIP-110 Easy PC paging software
- VIP-810 plus POTS phone
- 600 Ohm Supervised Page Port
- Any of Valcom's distributed amplified one-way paging units (V-2003A, V-2006A, V-2924A)

Features

- RJ45 for network connection
- Front panel activity LED
- Network activity LED's on RJ45
- Provides audio for up to 150 Valcom one-way amplified speaker assemblies
- Background music input
- Contact closure or VOX operation of input
- Removable screw terminal connectors provided for both inputs and outputs
- Page with music output, music mutes during page
- Output control contact closure provided during paging output
- May be used with 25 or 70 Volt amplifiers
- 2.5mm jack for DC power (115VAC TO 24VDC adapter provided)
- NOTE: Even after assigning a static ID address the unit will not respond to a "Ping" test.

Dimensions/Weight

- 1.88" H x 5.50" W x 4.15" D
(4.78cm H x 13.97cm W x 10.54cm D)
- Weight: 0.55 lbs. (0.25 kg)

Nominal Specifications

Input Impedance:	600 Ohms
Input Level:	-10dBm nominal
Voice Switch Sensitivity:	-21dBm
Music Source Input Impedance:	8 to 600 Ohms
Music Input Level:	-10dBm nominal
Output Impedance:	8 Ohms
Output Level:	-10dBm nominal

Nominal Power Requirements

Voltage:	24VDC
Current:	325mA

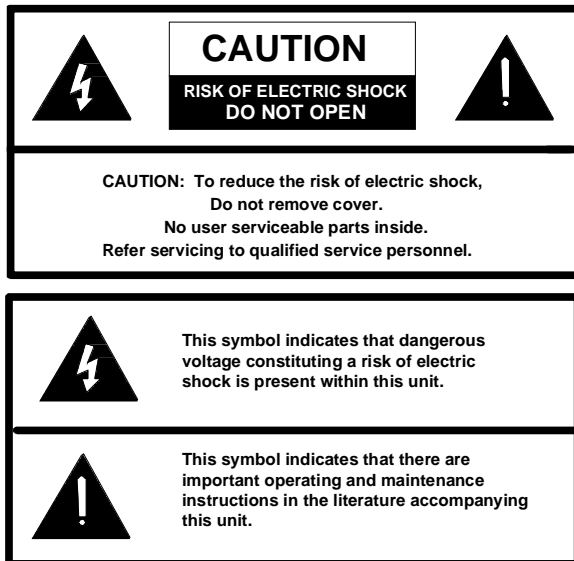
Environment

Temperature:	0 to +40 Degrees C
Humidity:	0 to 85% non-precipitating

INSTALLATION

NOTE: The telephone system referred to in this manual is the customer premise equipment such as an electronic key system, a PABX or a dedicated single line telephone(s). The VIP-800 is not intended for direct or indirect connection to the public telephone network or to PABX analog station ports. When used with a customer premise telephone system such as a key system or PABX system, these units are interfaced to the system via a fully protected page port or system central office port, which is a fully protected interface device. Also, the host system must be configured to disallow central office trunk conferencing in order to prevent indirect connection to the public network.

Precautionary Designations



Mounting

The VIP-800 was designed for wall or table mounting. Secure unit to wall studs or a suitable brace away from heat sources or strong magnetic fields (motors, fans, power supplies, etc.) with the control and terminal strip accessible. One wood screw is included for mounting.

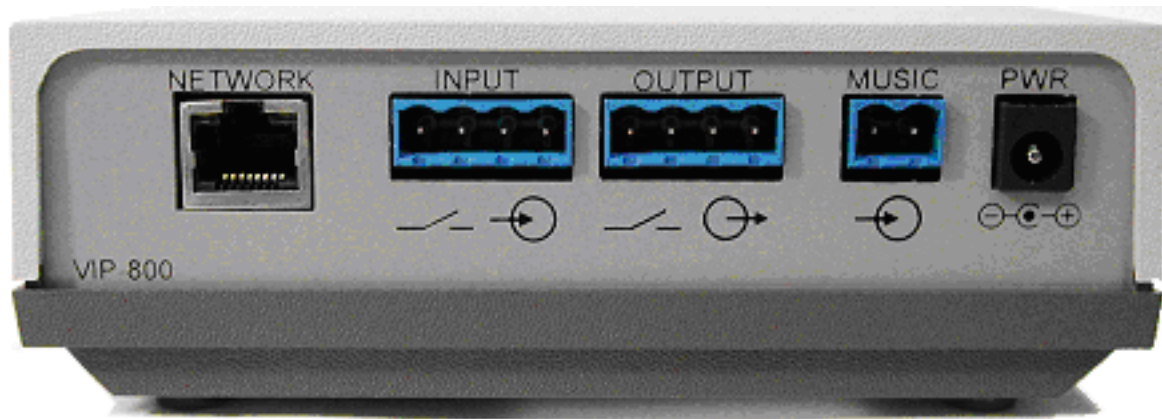
Power Connections

NOTE: This equipment must be installed near an AC power outlet due to the power cord being used as a disconnect device.

- The VIP-800 is provided with a VP-324 for North American use.

After all required connections have been made, plug the VP-324 into appropriate AC wall outlet.

CONNECTIONS



PABX Access

When using the VIP-800 with an electronic key system C. O. line position or PABX trunk port, a VIP-810 must be used to interface the telephone system with the network.

When using the VIP-800 with a PABX station port, a VIP-820 must be used to interface the telephone system with the network.

Operation

Press line key (electronic key system) or dial trunk access code (PABX) to connect to the paging speakers. Make announcement. The VIP-800 automatically disconnects from page when you hang up.

Page Port Access

When accessing the VIP-800 from a telephone system page port, either VOX or switch closure may be used to activate the unit.

Operation

Follow the telephone system manufacturer's instructions for access to external paging. Make the announcement and hang up. The VIP-800 automatically disconnects from page.

The VIP-800 voice switching circuit is activated when the person making the page begins to speak. When the page is completed or the person stops speaking for more than two seconds, the paging circuit turns off. Other functions of the unit remain the same.

Background Music

Background music may be connected to the VIP-800 when using either access method. Background music mutes when a page is made. Background music is specific to each unit.

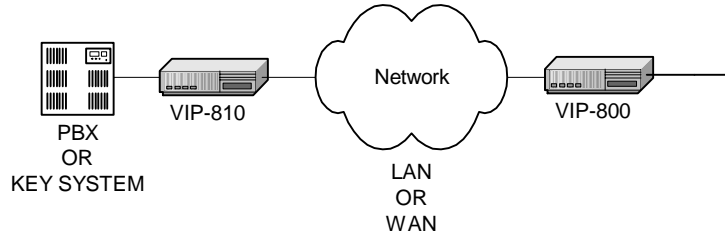
Connect the output of a low level music source to the screw terminals marked "Music" on the input terminal strip on the VIP-800. Adjust music volume control on the music source to the desired level.

Volume Adjustments

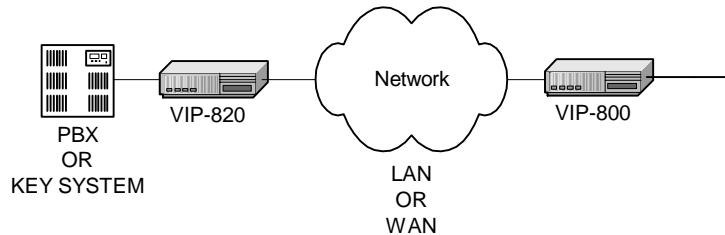
The page volume is set by the speakers. Adjust speakers 1/3 - 1/2 volume initially, test and reset if necessary for correct page volume.

Application Examples

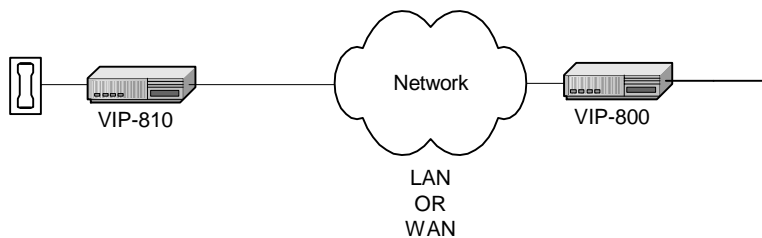
When using the VIP-800 with an electronic key system C. O. line position or PABX trunk port, a VIP-810 must be used to interface the telephone system with the network. When the electronic key system C. O. line position or PABX trunk port is accessed, the VIP-810 will activate the VIP-800.



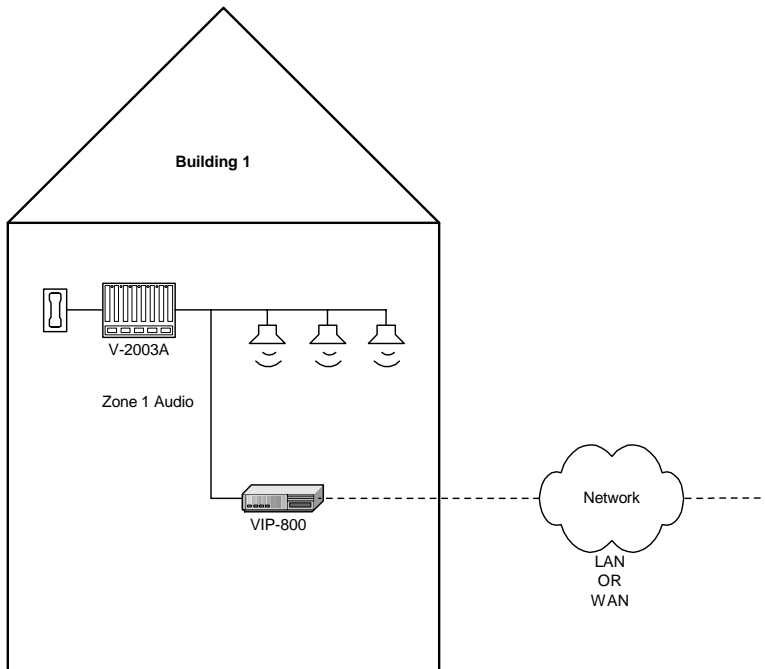
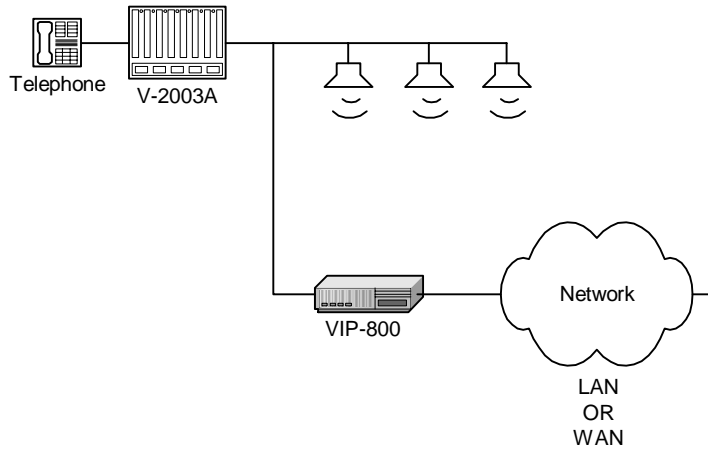
When using the VIP-800 with a PABX station port, a VIP-820 must be used to interface the telephone system with the network. When the PABX station port is accessed, the VIP-820 will activate the VIP-800.



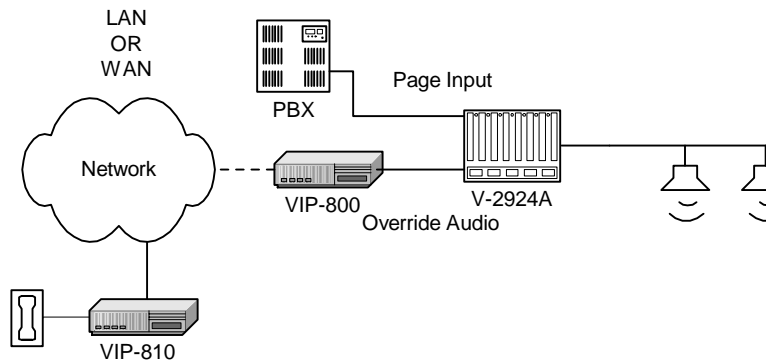
In this example, the VIP-810 and VIP-800 are connected to the data network as stand alone paging. This could be installed where network access is available, but not paging.



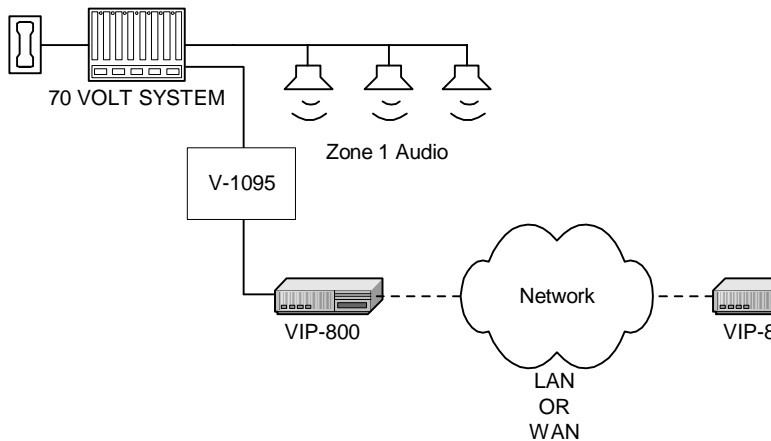
In these examples, two VIP-800's are connected to the data network to extend a paging zone to a remote location.



In this example, the VIP-810 is connected to the data network jack already installed and now the network connected telephone can reach into the existing Valcom V-2924A to access all call priority paging. This configuration could be used at a guard shack where network access is available, but not a telephone.



There are many buildings or areas with existing 70 Volt paging speakers and amplifiers installed. Often times these systems are not operational or do not provide adequate coverage. The VIP-800 is ideally suited for integration with conventional paging products. They can be used to interconnect buildings for paging without the need of additional wire runs. Once connected through the LAN or WAN, the VIP-800 provides line level outputs and auxiliary contact closures that can be interfaced with conventional amplifiers. The illustration shown below depicts how integration is accomplished. From a central location, paging can be accomplished either by specific zone or all call mode.



Note: During initial SETUP, the “Sub-Net Address” and the “Gateway MAC Number (address) of the Sub-Net Power” must be programmed in the software of each unit locally - on the SubNet on which the unit resides.

TECHNICAL ASSISTANCE

When trouble is reported, verify power is being supplied to the unit and there are no broken connections. Check voltages for proper polarity to the one-way amplified speakers. Table 1 identifies symptoms of some possible problems with solutions. If a spare unit is available, substitute a spare unit for the suspected defective unit.

Assistance in troubleshooting is available from the factory. Call (540) 563-2000 and ask for Technical Support, or call (540) 767-1555 for Valcom 24-hour Faxback System or via email at support@voip.valcom.com.

When requesting assistance, you should include all available information. It is strongly suggested that you go to the web site and follow the trouble resolution procedure at <http://voip.valcom.com>.

Valcom equipment is not field repairable. Valcom, Inc. maintains service facilities in Roanoke, VA. Should repairs be necessary, attach a tag to the unit clearly stating your company name, address, phone number, contact person and the nature of the problem. Send the unit to:

Valcom, Inc.
Repair & Return Dept.
5614 Hollins Road
Roanoke, VA 24019-5056

TABLE 1: TROUBLESHOOT

SYMPTOM	PROBABLE
1. No output to speakers	A. Check for the presence of au during a page using a test se information. B. Check the DC voltage at the o
2. No music output	A. Using a test set, check for m B. Check that speakers are con

VALCOM LIMITED WARRANTY

Valcom, Inc. warrants its products to be free from defects in materials and workmanship under conditions of normal use and service for a period of one year from the date of shipment. The obligation under this warranty shall be limited to the replacement, repair or refund of any such defective device within the warranty period, provided that:

1. inspection by Valcom, Inc. indicates the validity of the claim;
2. the defect is not the result of damage, misuse or negligence after the original shipment;
3. the product has not been altered in any way or repaired by others and that factory sealed units are unopened (A service charge plus parts and labor will be applied to units defaced or physically damaged);
4. freight charges for the return of products to Valcom are prepaid;
5. all units 'out of warranty' are subject to a service charge. The service charge will cover minor repairs (Major repairs will be subject to additional charges for parts and labor).

This warranty is in lieu of and excludes all other warranties, expressed or implied, and in no event shall Valcom, Inc. be liable for any anticipated profits, consequential damages, loss of time or other losses incurred by the buyer in connection with the purchase, operation or use of the product.

This warranty specifically excludes damage incurred in shipment. In the event a product is received in damaged condition, the carrier should be notified immediately. Claims for such damage should be filed with the carrier involved in accordance with the F.O.B. point.

Free Manuals Download Website

<http://myh66.com>

<http://usermanuals.us>

<http://www.somanuals.com>

<http://www.4manuals.cc>

<http://www.manual-lib.com>

<http://www.404manual.com>

<http://www.luxmanual.com>

<http://aubethermostatmanual.com>

Golf course search by state

<http://golfingnear.com>

Email search by domain

<http://emailbydomain.com>

Auto manuals search

<http://auto.somanuals.com>

TV manuals search

<http://tv.somanuals.com>