

# V-1070 P-TEC SURFACE MOUNT TALKBACK CEILING SPEAKER

## INTRODUCTION

The V-1070 is a surface mounted speaker that is used with Valcom "Handsfree" Talkback Page Control units. The speaker is designed for interior use only. The baffle is designed for mounting on acoustic tile, such as those normally found in suspended-ceilings and can be mounted without cutting large holes in the tile. The mounting pins can be removed for mounting in a hard ceiling. The speaker housing has screw holes for securing speaker without mounting pins. Although the P-TEC speakers are designed specifically for standard suspended ceilings, they can be used on many types of ceiling materials.



## Dimensions/Weight

- 8.00" Dia x 2.50" H (20.32cm x 6.35cm)
- 0.75 lbs. 0(.34 kg)

## INSTALLATION (see Figure 1)

1. Lift the adjacent ceiling tile and slide it out of the way.
2. Pierce hole in tile where speaker is to be mounted with a screwdriver. Feed wire through hole to connect to speaker.
3. Make connections to speaker.
4. Install the speaker by inserting the mounting pins through the ceiling tile and hold the speaker in place.
5. Place the speaker mounting clips over mounting pins (so pins slide through clips).

## SYSTEM DESIGN

### General

The 45 Ohm Talkback Speakers are designed to be used with the Valcom "handsfree" talkback control units. In combination with these units, they will provide both loudspeaker and talkback functions.

A standard Valcom talkback paging system is made up of three basic components:

1. A talkback page control unit
2. Speakers (45 Ohm)
3. A power supply

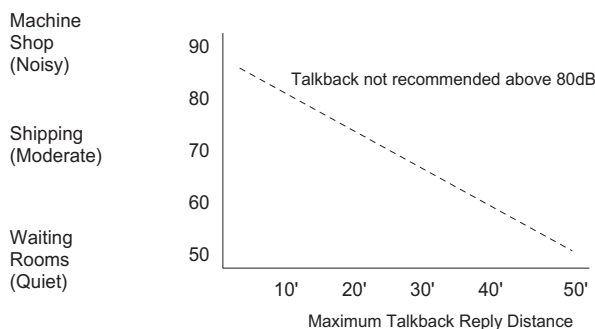
Consult Valcom's VSP - Handsfree Talkback Paging (Part # 947099) for detailed information on selecting the control unit and power supply.

## Connections

Two conductor twisted wire is required for the 45 Ohm talkback speakers. Standard 22 or 24 gauge station wire is acceptable. Shielded wire is not required or recommended. Connections are as follows:

- Speaker out from page control to speaker tip
- Speaker common to speaker ring

TYPICAL REPLY DISTANCE CHART

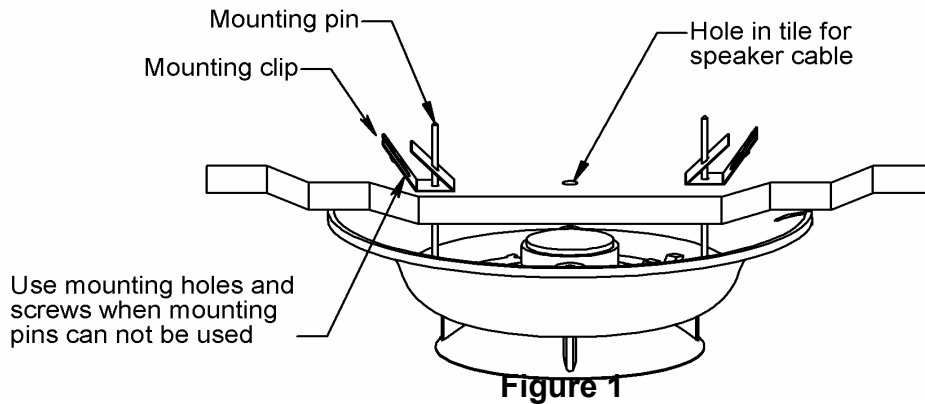


### IMPORTANT

*The speaker is no better than your ears. If you cannot carry on a conversation at normal voice levels over the required talkback distance, then the talkback page equipment will not function satisfactorily.*

*Use common sense when mounting a talkback speaker. The speaker should be as close as possible to the area where talkback is desired.*

*It should not be mounted close to or pointed at, noise producing equipment such as fans, air conditioners, machinery or compressors.*



**TECHNICAL ASSISTANCE**

When trouble is reported, verify power is being supplied to the unit and there are no broken connections. If a spare unit is available, substitute

Assistance in troubleshooting is available from the factory. Call (540) 563-2000 and press 1 for Technical Support or visit our website at <http://www.valcom.com>.

Valcom equipment is not field repairable. Valcom, Inc. maintains service facilities in Roanoke, VA. Should repairs be necessary, attach a tag to the unit clearly stating company name, address, phone number, contact person and nature of the problem. Send the unit to:

**Valcom, Inc.**  
**Repair & Return Dept.**  
**5614 Hollins Road**  
**Roanoke, VA 24019-5056**

<b>TROUBLESHOOTING CHART</b>	
<i><b>SYMPTOMS</b></i>	<i><b>ACTIONS</b></i>
<ul style="list-style-type: none"> <li>• No sound in page mode</li>   <li>• Low sound in page mode</li>   <li>• Poor listening in talkback mode</li> </ul>	<ul style="list-style-type: none"> <li>• Check tip and ring for audio at speaker.</li> <li>• Check tip and ring for audio at control unit.</li>   <li>• Check volume controls at page control.</li>   <li>• Check talkback volume control at page control. Set control where audio is clearly audible.</li> </ul>

**VALCOM LIMITED WARRANTY**

Valcom, Inc. warrants its products to be free from defects in materials and workmanship under conditions of normal use and service for a period of one year from the date of shipment. The obligation under this warranty shall be limited to the replacement, repair or refund of any such defective device within the warranty period, provided that:

1. inspection by Valcom, Inc. indicates the validity of the claim;
2. the defect is not the result of damage, misuse or negligence after the original shipment;
3. the product has not been altered in any way or repaired by others and that factory sealed units are unopened (a service charge plus parts and labor will be applied to units defaced or physically damaged);
4. freight charges for the return of products to Valcom are prepaid;
5. all units 'out of warranty' are subject to a service charge. The service charge will cover minor repairs (major repairs will be subject to additional charges for parts and labor).

**This warranty is in lieu of and excludes all other warranties, expressed or implied, and in no event shall Valcom, Inc. be liable for any anticipated profits, consequential damages, loss of time or other losses incurred by the buyer in connection with the purchase, operation or use of the product.**

This warranty specifically excludes damage incurred in shipment. In the event a product is received in damaged condition, the carrier should be notified immediately. Claims for such damage should be filed with the carrier involved in accordance with the F.O.B. point.

Headquarters:  
Valcom, Inc.  
5614 Hollins Road  
Roanoke, VA 24019-5056  
Phone: (540) 563-2000  
FAX: (540) 362-9800

## Free Manuals Download Website

<http://myh66.com>

<http://usermanuals.us>

<http://www.somanuals.com>

<http://www.4manuals.cc>

<http://www.manual-lib.com>

<http://www.404manual.com>

<http://www.luxmanual.com>

<http://aubethermostatmanual.com>

Golf course search by state

<http://golfingnear.com>

Email search by domain

<http://emailbydomain.com>

Auto manuals search

<http://auto.somanuals.com>

TV manuals search

<http://tv.somanuals.com>