

WARRANTIES

120 DAY LIMITED WARRANTY REGISTRATION FORM

All Vector Manufacturing, Ltd. products are warranted to the original purchaser only for 120 days from the date of purchase, to be free of defects in materials and workmanship. Vector Manufacturing, Ltd. disclaims any liability for consequential damages. In no event will Vector Manufacturing, Ltd. be responsible for any amount of damages beyond the amount paid for the product at retail. In the event of a defective item, please ship the item prepaid, with a complete explanation of the problem, your name, address and daytime telephone number. Vector Manufacturing, Ltd. will, at its option, replace the defective part.

THE FOLLOWING SITUATIONS ARE NOT COVERED UNDER THIS WARRANTY:

- ✓ Cost of shipment to Vector Manufacturing, Ltd.
- ✓ Normal wear and tear, including chips, scratches, abrasions, repairs by unauthorized persons or failure to follow recommended care and use instructions. Damage caused by misuse, abuse, neglect, alterations, repairs by unauthorized persons, or failure to follow recommended care and use instructions.
- ✓ Bulbs and batteries.

PLEASE ACTIVATE MY LIMITED WARRANTY FOR MODEL # _____.

- ✓ Enclose copy of original sales receipt.

Name _____

Street Address _____

City _____ State _____ Zip Code _____ Phone _____ Fax _____

E-mail _____ Store where purchased _____

UPC Number from package (12 digits) _____

All Vector Manufacturing, Ltd. products must be registered within (10) days of purchase to activate this warranty. Mail the completed registration form, along with a copy of the original sales receipt to:

ATTN.: CUSTOMER SERVICE • VECTOR MANUFACTURING, Ltd. • 4140 SW 28th Way, Ft. Lauderdale, FL 33312

3 YEAR EXTENDED WARRANTY REGISTRATION FORM

Certain Vector Manufacturing, Ltd. products are eligible to be covered to the original purchaser only, for three (3) years from the date of purchase, to be free of defects in materials or workmanship. Vector Manufacturing, Ltd. disclaims any liability for consequential damages. In no event will Vector Manufacturing, Ltd. be responsible for any amount of damages beyond the amount paid for the product at retail. In the event of a defective item, please ship the item to us, prepaid, with an explanation of the problem, your name, address and daytime telephone number. Vector Manufacturing, Ltd. will, at its option, replace or repair the defective part.

THE FOLLOWING SITUATIONS ARE NOT COVERED UNDER THIS WARRANTY:

- ✓ Cost of shipment to Vector Manufacturing, Ltd.
- ✓ Normal wear and tear, including chips, scratches, abrasions, discoloration or fading due to usage or exposure to sunlight.
- ✓ Damage caused by misuse, abuse, neglect, alterations, repairs by unauthorized persons, or failure to follow recommended care and use instructions.
- ✓ Bulbs, fuses and batteries.

PLEASE ACTIVATE MY EXTENDED WARRANTY FOR MODEL # _____.

- ✓ Enclose copy of original sales receipt.

Name _____

Street Address _____

City _____ State _____ Zip Code _____ Phone _____ Fax _____

E-mail _____ Store where purchased _____

Date Item Purchased _____ Item Purchased _____

UPC Number from package (12 digits) _____

FORM OF PAYMENT (US\$15.00) [] Check [] Money Order

All Vector Manufacturing, Ltd. products must be registered within (10) days of purchase to activate this warranty. Mail the completed registration form, along with a copy of the original sales receipt, and a check or money order for US\$15.00 made payable to Vector Manufacturing, Ltd., to:

ATTN.: CUSTOMER SERVICE • VECTOR MANUFACTURING, Ltd. • 4140 SW 28th Way, Ft. Lauderdale, FL 33312

WARRANTY MUST BE PURCHASED WITHIN 90 DAYS OF PRODUCT PURCHASE DATE.
WARRANTY IS NON-TRANSFERABLE AND NON-REFUNDABLE.



VEC128BW
VEC128R
VEC128Y

SPORTSPOT® LANTERN COMBO

**CORDED
CORDLESS
RECHARGEABLE**



OWNER'S MANUAL & WARRANTY INFORMATION

4140 S.W. 28TH WAY
FT. LAUDERDALE, FL 33312
TEL 954.584.4446 • FAX 954.584.5556

CONTENTS

1.	INTRODUCTION	1
2.	FEATURES	1,2
3.	OPERATION	2
4.	RECHARGE	2
	4.1 AC Recharge	3
	4.2 DC Recharge	3
5.	MAINTENANCE/PARTS REPLACEMENT	3
6.	SPOTLIGHT BULB REPLACEMENT	4
	6.1 SPOTLIGHT Bulb Removal	4
	6.2 Spotlight Bulb Installation	4
7.	LANTERN TUBE REPLACEMENT	5
	7.1 Fluorescent Tube Removal	5
	7.2 Fluorescent Tube Installation	6
8.	FUSE REPLACEMENT	6
9.	BATTERY REPLACEMENT	6,7
	9.1 Battery Removal	7
	9.2 Battery Installation	7
10.	SAFE BATTERY DISPOSAL	7
11.	SPECIFICATIONS	8

WARRANTIES

CAUTIONS:

- DO NOT SUBMERGE IN WATER. This unit is not waterproof—it is water resistant.
- Do not recharge with other than supplied AC and DC Recharge Adapters.
- Do not overcharge battery.
- Do not operate lights while AC recharging—this can damage the AC recharger.
- This spotlight produces high levels of heat when operating—DO NOT TOUCH THE SPOTLIGHT LENS WHEN THE SPOTLIGHT IS ON.
- Keep spotlight lens away from combustible materials when spotlight is On.
- This light is not a toy—keep away from children.

9.1 BATTERY REMOVAL PROCEDURE

1. Press the tab on the lower part of the Battery Compartment Cover while lifting the cover.
2. Fully remove the cover and set it aside.
3. Carefully move the battery towards the opening of the compartment.
4. Using a long nose pliers, carefully rock each spade terminal and remove them from the Battery Spade Lug Terminals. Note the colors of the attached wires and which terminal they were connected to.
5. Fully remove the battery and set it aside.
6. Follow Safe Battery Disposal instructions

9.2 BATTERY INSTALLATION PROCEDURE

1. Partially insert the new battery in the compartment in the same position as the old battery was.
2. Using the long nose pliers, attach the Spade Connectors to their respective Battery Spade Terminals. Check to ensure they are fully connected.
3. Push battery back into compartment.
4. Replace cover and slide downward until the tab snaps into place.
5. Momentarily check operation of the spotlight and lantern for proper operation.
6. Recharge the battery using either the AC or DC Recharge Adapter.

10. SAFE BATTERY DISPOSAL

Contains a maintenance-free, sealed, non-spillable, lead acid battery, which must be disposed of properly. Recycling is required; contact your local authority for information. Failure to comply with local, state and federal regulations can result in fines or imprisonment. Sealed lead batteries must be recycled or disposed of properly. Most automotive battery retailers will accept any lead-acid battery for recycling.

BATTERY DISPOSAL WARNINGS

- Do not dispose of the battery in fire as this may result in an explosion.
- Before disposing the battery, protect exposed terminals with heavy-duty electrical tape to prevent shorting (shorting can result in injury or fire).
- Do not expose battery to fire or intense heat as it may explode.

11. SPECIFICATIONS

Spotlight Bulb	.H-3 Series, 12 volt, proprietary
Lantern Tube	.9 Watt, Fluorescent, proprietary
Battery	Maintenance free, sealed lead acid 12 volt, 2.5 Amp Hour
Fuse	10 Ampere
Weight	3.6 lbs. (1.63 kg)
Dimensions	
SPOTLIGHT POSITION	13.5" H x 7.5" D x 5.5" W
	(3.42 mm x 1.9 mm x 1.4 mm)
LANTERN POSITION	11.2" H x 8" D x 5.5" W
	(2.85 mm x 2.03 mm x 1.4 mm)

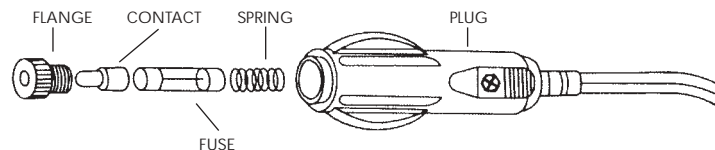
8. Grasp the Tube Socket and push on the fluorescent tube base to disconnect the tube from the socket.
9. Do not allow the tube to drop.
10. Follow local procedures for safe fluorescent tube disposal.

7.2. FLUORESCENT TUBE INSTALLATION

1. Make sure that the Lantern Switch is Off.
2. Press the new fluorescent tube's base into the Tube Socket Assembly.
3. Replace the Tube Socket Assembly so that the two Support Rods pass through the assembly and it is fully seated against the clear plastic dome.
4. Replace the two nuts and tighten (clockwise) so that the tube assembly is snug.
5. Screw on (clockwise) the End Cap until it is snug.
6. Test the fluorescent tube for proper operation by reconnecting the battery and turning On the Lantern switch.

8. FUSE REPLACEMENT

The fuse is located inside the DC plug. See Figure 5 for fuse replacement. Make sure the DC Recharger connector is disconnected from the SportSpot Lantern.



FUSE REPLACEMENT PROCEDURE

1. Unscrew (counterclockwise) the flange from the DC plug
2. Remove the flange, contact and fuse from the plug assembly.
3. Replace fuse with a 10 -ampere fuse of same type and size.
4. Place the center contact in the flange.
5. Replace the center contact and flange on the DC plug.
6. Tighten (clockwise) until the flange is fully seated.
DO NOT OVERTIGHTEN FLANGE

9. BATTERY REPLACEMENT

The battery is contained in a compartment in the base of the unit. A plate must be removed to gain access to the battery. Figures 5A and 5B show access to the battery compartment.

FIGURE 5A

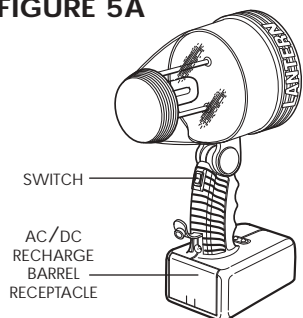
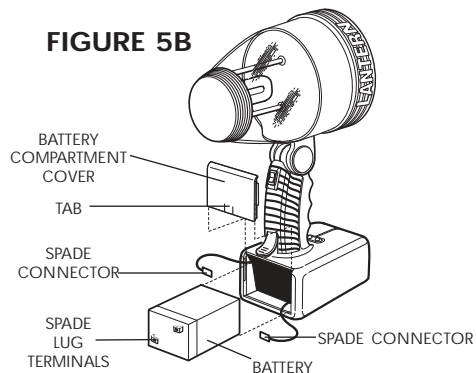


FIGURE 5B



1. INTRODUCTION

Congratulations on purchasing the Vector SportSpot Lantern, an advanced design combination spotlight and lantern. It instantly converts use from a powerful spotlight to a soft, long-lasting area light. See Figure 1A and 1B. It uses a powerful proven-technology, rechargeable, sealed lead acid battery that allows for years of dependable use, recharge after recharge. It was designed from the ground up to be the most versatile and practical light for travel, camping, picnicking, tailgate parties and boating. The SportSpot Lantern gives you the kind of light you need, when and where you need it.

FIGURE 1A

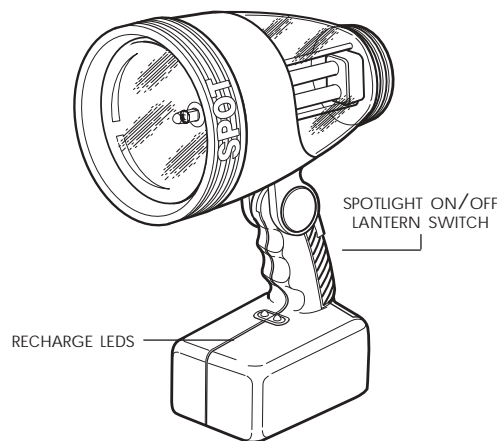
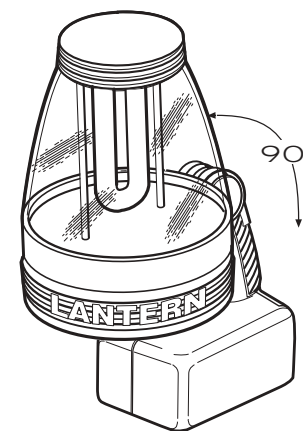


FIGURE 1B



Two recharge adapters are supplied with the SportSpot Lantern. It is rechargeable from either a DC cigarette lighter type 12-volt DC socket (accessory socket) or from any 110/120 volt 60 Hz AC receptacle. This permits recharge flexibility for use around home, business or in the field. The unit may be operated during DC recharge from any 12 volt accessory socket able to supply at least 5 Amperes. This feature allows for uninterrupted use when the unit's internal battery becomes discharged and requires recharging. 12 volt DC power is available from most vehicles, boats, jump starters and portable battery packs. Vector has a variety of portable power products that may be considered as companions to your SportSpot Lantern. Contact Vector for additional information.

2. FEATURES

- 1,000,000 Candle Power spot light.
- Powerful replaceable H-3 Series 12 volt quartz halogen bulb in spotlight.
- Powerful replaceable 9-watt fluorescent U-shaped tube in lantern.
- Head swivels 90 degrees for soft, 360 degree area lighting.
- Rubber safety guard protects spotlight.
- Recharging LED and battery FULL LED.
- Recharges from standard North American Standard 110 VAC, 60 Hz, receptacle.
- Operates and simultaneously recharges from 12 volt DC accessory socket.
- Three way switch - Spotlight, Off and Lantern.
- Comfortable handgrip.
- Stable base prevents tip over in any head position

NOTE:

This unit is shipped in a partially charged state. Charge unit using either AC or DC method until the green LED lights. Charge after each use. Initial charge should be for 12 hours.

3. OPERATION

The swivel action of the unit keeps the lamp head securely in position for use while carrying, or while on tabletop. The range of swivel motion is greater than 90 degrees with five locking positions. The spotlight position (upright) focuses light straight ahead. The lantern position (spotlight tilted forward 90 degrees) floods light in a 360-degree pattern for reading, cooking, and tailgating, etc. A three-position switch (Spotlight, Off, Lantern) controls on/off operation of both lights. The switch is protected by a flexible covering that protects it from dust, dirt and moisture. This ensures reliability and extends the life of the switch. The Spot Light can be continuously lit for up to 20 minutes on a full battery charge; the lantern can be lit for up to five (5) hours on a full battery charge. Either light can be operated during DC recharge.

4. RECHARGE

All batteries lose charge over time, especially when they are warm. Frequent battery recharges will extend battery life. AC recharge is recommended every two months, when not in frequent use. Use the AC recharge adapter and charge until battery is full. AC and DC recharge connections are through a heavy-duty barrel receptacle at the lower rear of the unit. See figure 5A. Two LED indicators display the status of recharge. Continue recharge operation until the two LEDs are equally bright. See figure 1A.

10. Check the spotlight operation by reconnecting the battery and turning On the switch.

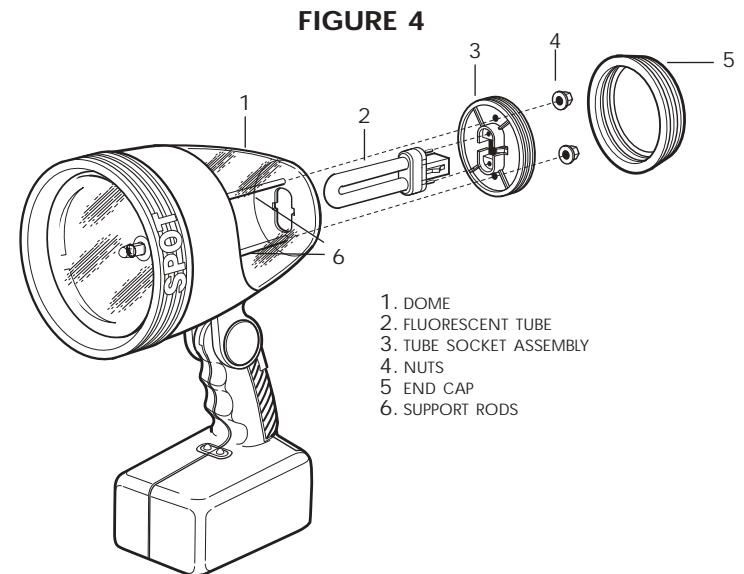
7. LANTERN TUBE REPLACEMENT

The Lantern fluorescent tube is mounted on a socket assembly. Power is sent to the tube socket through the two support rods. It is very important to make sure the Lantern switch is turned off before removing the end cap. If there are any doubts about the On/Off switch being Off, then skip to the Battery Removal section and disconnect the battery before removing the end cap.

WARNING:

FLUORESCENT TUBES OPERATE WITH HIGH VOLTAGE.
**DO NOT REMOVE END CAP UNLESS POWER IS OFF
AND THE BATTERY IS DISCONNECTED. SEE SECTION 9**

See Figure 4 for Fluorescent (6) Tube Replacement

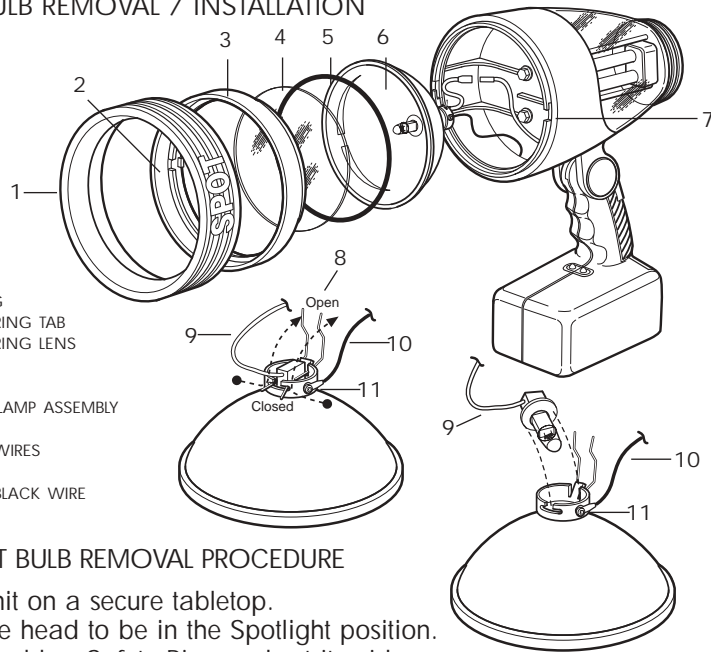


7.1 FLUORESCENT TUBE REMOVAL

1. Make sure that the Lantern Switch is Off.
2. Rest the unit on a secure tabletop.
3. Position the head to be in the Spotlight position.
4. Unscrew (counter clockwise) the End Cap and set aside.
5. Unscrew (counter clockwise) the two nuts from the two support rods and set them aside.
6. Slide the Tube Socket assembly away from the head and remove it from the two support rods.
7. Set it on a stable work surface like a table, bench, etc.

SPOTLIGHT BULB REMOVAL / INSTALLATION

FIGURE 3



1. SAFETY RING
2. RETAINING RING TAB
3. RETAINING RING LENS
4. LENS
5. O-RING
6. REFLECTOR/LAMP ASSEMBLY
7. NOTCH
8. RETAINING WIRES
9. WHITE WIRE
10. GREEN OR BLACK WIRE
11. SCREW

6.1 SPOTLIGHT BULB REMOVAL PROCEDURE

1. Rest the unit on a secure tabletop.
2. Position the head to be in the Spotlight position.
3. Lift off the rubber Safety Ring and set it aside.
4. Grasp the Retaining Ring and rotate it slightly clockwise until the ring's tab lines up with the notch in the head.
5. Lift off the retaining ring.
6. Pull the lens, "O" ring and reflector assembly from the head.
7. Set the lens and "O" ring aside.
8. The Reflector/Lamp Assembly should be hanging from the two wires.
9. On the Reflector Assembly, carefully squeeze the two retaining wires together and lift them to release them from the "T" slot.
10. Loosen the screw—item #11.
11. Rotate the two retaining wires upward as shown, to allow the bulb to lift out.
12. Disconnect the white wire by pulling apart the two connectors on the wire.
13. Follow local procedures for bulb disposal.

6.2 SPOTLIGHT BULB INSTALLATION PROCEDURE

1. Insert the new bulb in the Reflector/Lamp Assembly.
2. Rotate the two retaining wires downward as shown, to hold the bulb in place.
3. Tighten the screw— item #11.
4. Connect the white wire by pushing together the two connectors.
5. On the reflector Assembly, carefully squeeze the two retaining wires together and place them in the "T" slot.
6. Replace the Reflector/Lamp Assembly, "O" Ring and Lens.
7. Place the Retaining Ring so that it's tabs are aligned with the notches in the head.
8. Press the Retaining Ring until it is fully seated and rotate it slightly counter clockwise to secure it against the head.
9. Replace the rubber Safety Ring by pushing it onto the Retaining Ring. Make sure the Safety Ring is fully seated.

AC AND DC RECHARGE ADAPTERS

FIGURE 2A

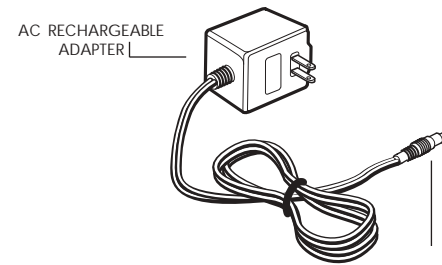
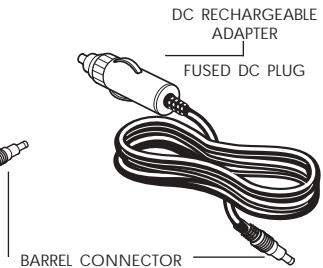


FIGURE 2B



4.1 AC RECHARGE

The AC Recharge adapter provides 300 mA at 12 Volts DC for recharging the batteries. Power the AC Recharger from a standard, 110 volt, 60 Hz AC North American receptacle. The AC recharger will not support lamp operation. Do not operate the lamps while the AC Recharger is connected to the Recharge Port. Charge with lamps Off until LEDs are equally bright. This steady recharge will prolong battery life. Only use the supplied AC Recharger—DO NOT SUBSTITUTE WITH ANOTHER. SEE FIGURE 2A

4.2 DC RECHARGE/OPERATION

The DC Recharge adapter provides 12 Volts DC for simultaneously recharging the batteries and operating either light. Power the DC Recharger from a standard, 12-volt DC cigarette lighter type accessory socket. Charge until LEDs are equally bright. After recharge, either disconnect the DC recharger or leave connected and continue to operate either light. Only use the supplied DC Recharger - do not substitute with another. The DC Recharge Adapter's DC Plug is equipped with a user-replaceable 10-ampere fuse. SEE FIGURE 2B

5. MAINTENANCE/PARTS REPLACEMENT

If the unit has dirt on it, gently clean the outer surfaces of the SportSpot Lantern with a soft cloth moistened with a mild solution of water and detergent. Periodically inspect the condition of recharge adapters, connectors, and wires. Replace any components that may have become worn or broken.

Four parts are replaceable by users. The quartz halogen bulb and the fluorescent tube are proprietary and are only available through Vector Manufacturing. The sealed lead acid battery and fuse are available from Vector as well as from popular automotive parts suppliers nationwide. Contact Vector Manufacturing's Technical Support Department for replacement parts and any additional information that you may need. They may be reached at (954) 584-4446.

6. SPOTLIGHT BULB REPLACEMENT

See Figure 3 for bulb removal and replacement. Make sure that the On/Off Switch is Off and disconnect the battery. SEE SECTION 9.

Free Manuals Download Website

<http://myh66.com>

<http://usermanuals.us>

<http://www.somanuals.com>

<http://www.4manuals.cc>

<http://www.manual-lib.com>

<http://www.404manual.com>

<http://www.luxmanual.com>

<http://aubethermostatmanual.com>

Golf course search by state

<http://golfingnear.com>

Email search by domain

<http://emailbydomain.com>

Auto manuals search

<http://auto.somanuals.com>

TV manuals search

<http://tv.somanuals.com>