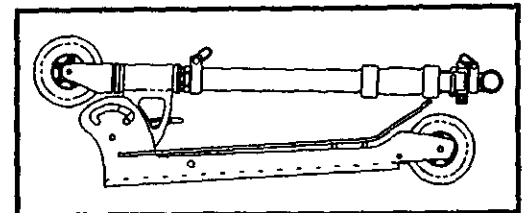
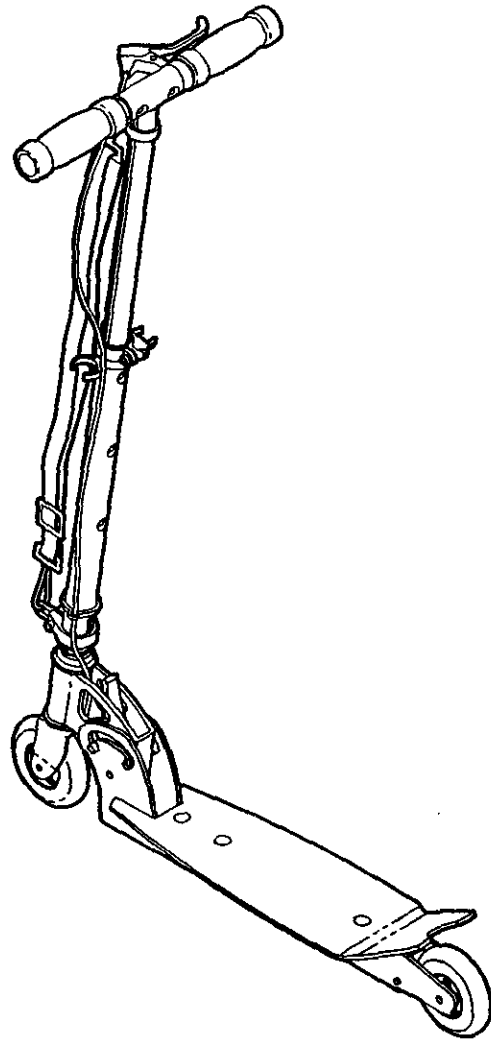


vector

User's Manual

WARNING: To reduce the risk of serious injury, read these warnings before using the scooter.

1. Read and follow all instructions.
2. It is the owner's responsibility to ensure that all users of the scooter are adequately informed of all warnings and instructions.
3. Inspect the scooter and tighten or replace any loose or missing parts before each use. In addition, make sure that the handles and the stem are securely locked in position, the wheels rotate freely, and the wheel bolts are secure.
4. A responsible adult must always supervise children and young riders.
5. Always wear protective equipment, including a helmet, knee pads, wrist guards, elbow pads, and closed-toed shoes, when using the scooter.
6. Never ride on streets, roadways, or driveways that enter vehicle traffic routes.
7. Never ride at night or when visibility is poor.
8. Never ride on wet or uneven surfaces.
9. Never tow a rider with a bicycle, motorcycle, or vehicle.
10. Locate the warning decal on the underside of the scooter and read the warnings before using the scooter.
11. Save this User's Manual for future reference.

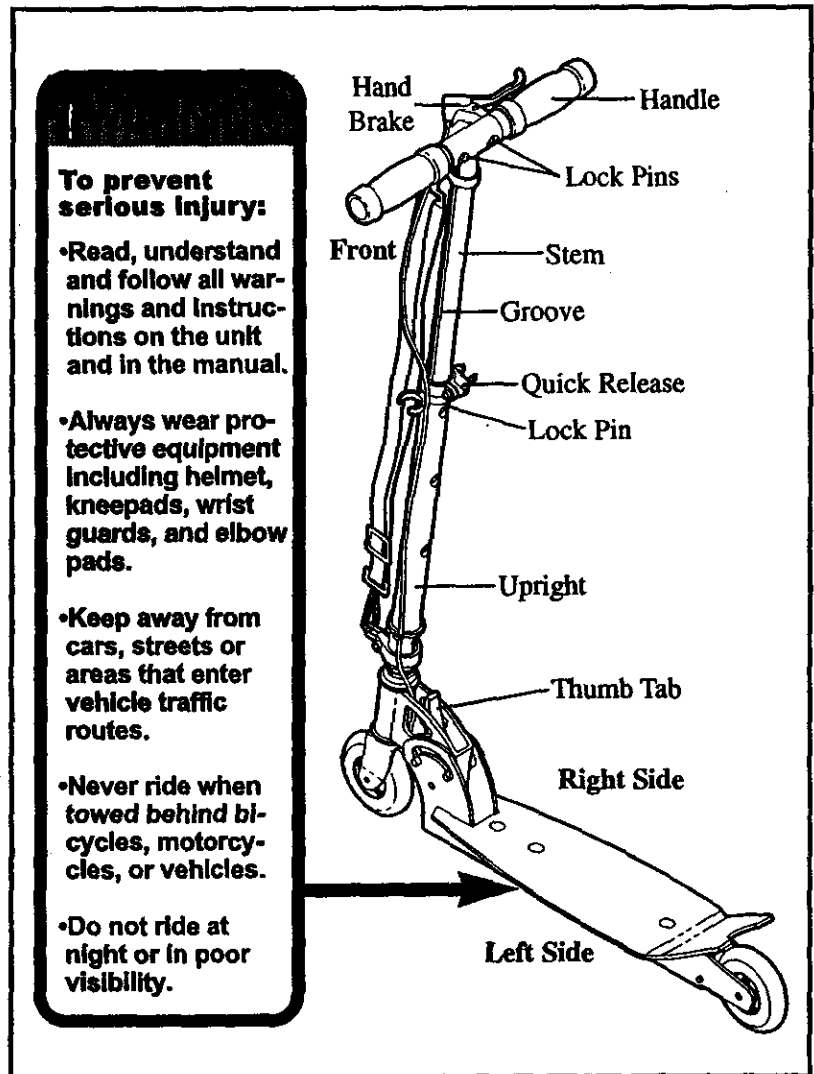


Setup

1. Firmly press the thumb tab and pivot the upright up until it locks in a nearly vertical position.
2. Insert the handles into the stem until the lock pins are visible in the holes in the stem.
3. Open the quick-release lever. Depress the lock pin on the stem and slide the stem up until the lock pin is visible in one of the three holes in the upright. When the stem is at the desired height, close the quick-release lever so that it is snug against the upright. If the quick-release is not snug, see ADJUSTING THE QUICK-RELEASE on the back of this user's manual.

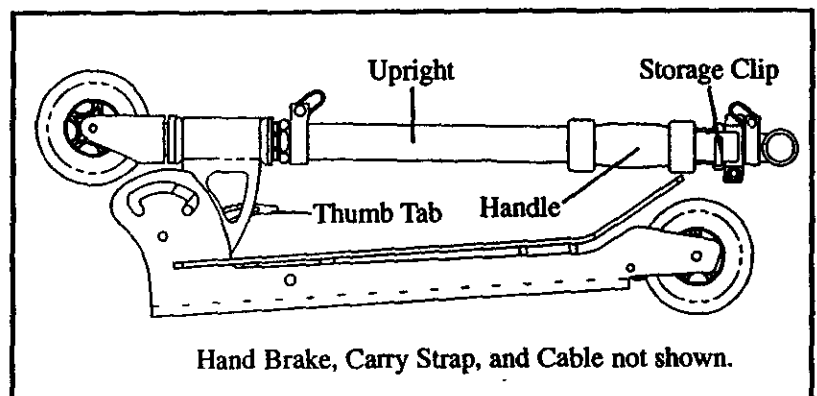
Before using the scooter, make sure that the scooter is set up as described and that all parts are securely tightened.

The decal shown at the right has been placed on the scooter. If the decal is missing, or if it is not legible, please call our Customer Service Department toll-free at 1-800-999-3756, Monday through Friday, 6 a.m. until 6 p.m. Mountain Time, to order a free replacement decal. Apply the replacement decal to the location shown.



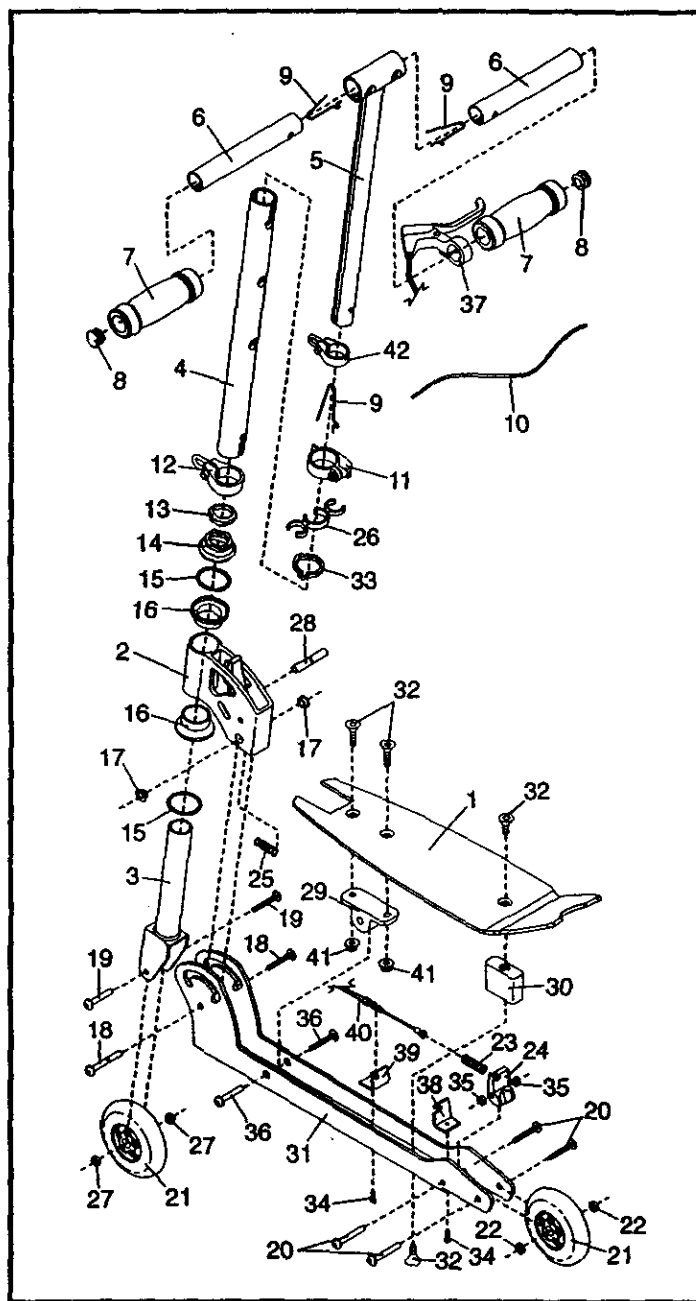
Storage

1. Open the quick-release lever. Depress the lock pin on the stem and slide the stem down into the upright. Close the quick-release lever.
2. Depress the lock pins and remove the handles from the stem. Press the handles into the storage clip on the upright.
3. Pull the thumb tab and pivot the upright down until it locks in the horizontal position.



No. Qty. Description

1	1	Deck
2	1	Head Tube
3	1	Fork
4	1	Upright
5	1	Stem
6	2	Handle
7	2	Foam Pad
8	2	Handle Cap
9	3	Lock Pin
10	1	Handle Cord
11	1	Quick Release
12	1	Upright Clamp w/Ring
13	1	Bearing Nut
14	1	Bearing Cap
15	2	Bearing
16	2	Bearing Race
17	2	Bushing
18	1	Pivot Union Bolt Set
19	1	Front Union Bolt Set
20	2	Rear Union Bolt Set
21	2	Wheel
22	2	Rear Wheel Spacer
23	1	Brake Spring
24	1	Brake
25	1	Head Tube Spring
26	1	Storage Clip
27	2	Front Wheel Spacer
28	1	Lock Pin
29	1	Deck Mount
30	1	Deck Cushion
31	1	Frame
32	4	Deck Screw
33	1	Cable Clip
34	2	Tek Screw
35	2	Brake Spacer
36	1	Mount Union Bolt Set
37	1	Hand Brake
38	1	Brake Bracket
39	1	Cable Bracket
40	1	Brake Cable
41	2	Flange Nut
42	1	Strap Clamp w/Ring
*	1	Carry Strap
*	1	User's Manual



Ordering Replacement Parts

To order replacement parts, call toll-free 1-800-999-3756, Monday through Friday, 6 a.m. until 6 p.m. Mountain Time (excluding holidays). When ordering parts, please mention the model number (831.48854U) and the number and description of the parts needed.

*The user's manual and carry strap are not shown

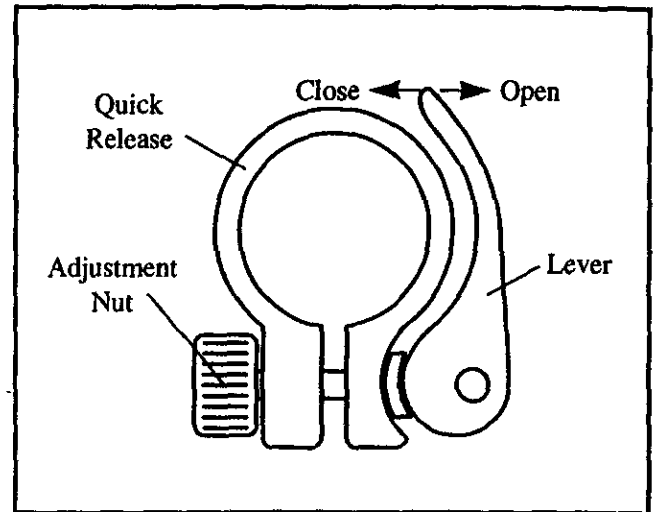
Note: Specifications are subject to change without notice.

If the quick-release doesn't hold the stem snug in place, you will need to adjust it.

Open the quick-release lever. Turn the adjustment nut clockwise one half turn while keeping the lever from turning. Close the lever. Repeat this procedure until the stem is held snug in place.

If the quick-release is too snug to close, you will need to adjust it.

While the quick-release lever is open, turn the adjustment nut counterclockwise one quarter turn while keeping the lever from turning. Close the lever. Repeat this procedure until the stem is held snug in place and the quick-release is closed.



Free Manuals Download Website

<http://myh66.com>

<http://usermanuals.us>

<http://www.somanuals.com>

<http://www.4manuals.cc>

<http://www.manual-lib.com>

<http://www.404manual.com>

<http://www.luxmanual.com>

<http://aubethermostatmanual.com>

Golf course search by state

<http://golfingnear.com>

Email search by domain

<http://emailbydomain.com>

Auto manuals search

<http://auto.somanuals.com>

TV manuals search

<http://tv.somanuals.com>