

VectorLite
1,500,000 CANDLEPOWER

**CORDED, CORDLESS RECHARGEABLE SPOTLIGHT
WITH BUILT-IN AREA LIGHT**



**OWNER'S MANUAL
& WARRANTY INFORMATION**

THIS MANUAL CONTAINS IMPORTANT INFORMATION REGARDING SAFETY, OPERATION, MAINTENANCE AND STORAGE OF THIS PRODUCT. BEFORE USING, READ AND UNDERSTAND ALL CAUTIONS, WARNINGS, INSTRUCTIONS AND PRODUCT LABELS, PLUS YOUR VEHICLE'S BATTERY MANUFACTURER GUIDELINES. FAILURE TO DO SO COULD RESULT IN INJURY AND/OR PROPERTY DAMAGE.

4140 SW 28th Way, FT. LAUDERDALE, FL 33312

Tel 954-584-4446 • TOLL FREE: 866-584-5504 • Fax 954-584-5556

www.vectormfg.com

Download from Www.Somanuals.com. All Manuals Search And Download.

12/20/02

IMPORTANT SAFETY INSTRUCTIONS

WARNINGS: Contains non-spillable, sealed, lead acid battery. Must be recycled or disposed of properly. DO NOT dispose of batteries in fire, as this may result in an explosion. DO NOT open battery or short circuit, as this may cause the battery to leak or get hot, causing personal injury. Any disposal questions call toll-free (877) 288-7722.

Please read instruction manual completely for all safety and warning instructions.

CAUTIONS: USE ONLY WITH AC AND DC CHARGING ADAPTERS THAT ARE PROVIDED WITH UNIT. PLUG IN THE CHARGING ADAPTER AT THE SPOTLIGHT FIRST, THEN PLUG INTO THE CHARGING SOURCE.

DURING RECHARGE:

DO NOT CHARGE FOR MORE THAN 24 HOURS USING AC CHARGING ADAPTER

- a) First use - typical charge time is 8-10 hours
 - b) Charge after first use - typical charge time is 10-12 hours, maximum.
 - c) If unit is not used for two months, typical charge time is 4 hours.
- After recharge, disconnect charging adapter and wait 5 minutes before use.

1. Do not substitute power cords or charging adapters. Only charge with supplied AC and DC charging adapters. Charging adapters for this unit supply 12 volts DC.
2. Do not submerge in water. This unit is not waterproof - it is water resistant.
3. Keep children away from spotlight. This is not a toy!
4. Lens gets very hot when spotlight is operating. Do not touch lens while operating.
5. Keep combustibles away from spotlight lens - extreme heat can cause fires.
6. Keep sharp objects away from lens - it is glass and it can break.
7. Do not drop or throw spotlight, it contains glass and sealed lead acid batteries.
8. Dispose of unusable batteries in a responsible manner. See battery disposal section.
9. Do not crush, cut, pull or expose charging adapter cords to extreme heat.
10. Keep charging adapter cords away from sharp edges.
11. Position charge adapter cords so that they do not become entangled or become a safety hazard.
12. Do not shine spotlight in eyes.

1. INTRODUCTION

Congratulations on purchasing VectorLite™ Model VEC118S, an advanced design combination spotlight and long lasting, soft incandescent area light. It uses two powerful proven-technology rechargeable, non-spillable, sealed, lead acid batteries that allow for years of dependable use, recharge after recharge. It was designed from the ground up to be the most versatile and practical light for travel, camping, picnicking, tailgate parties and boating. The spotlight gives you the kind of light you need, when and where you need it.

Extremely rugged construction protects the unit from most damage from vibration and shock. It is water and dust resistant.

Two recharge adapters are supplied with the spotlight. It can be recharged from any 110/120 volt 60 Hz AC receptacle. It can also be recharged and operated from a 12 Volt DC power outlet. This allows recharge flexibility for use around home, business or in the field. 12 volt DC power is available from most vehicles, boats, jump starters and portable battery packs. Vector has a variety of portable power products that would make ideal companions.

A 12 Volt accessory socket allows powering of any DC appliance that does not exceed 10 amps.

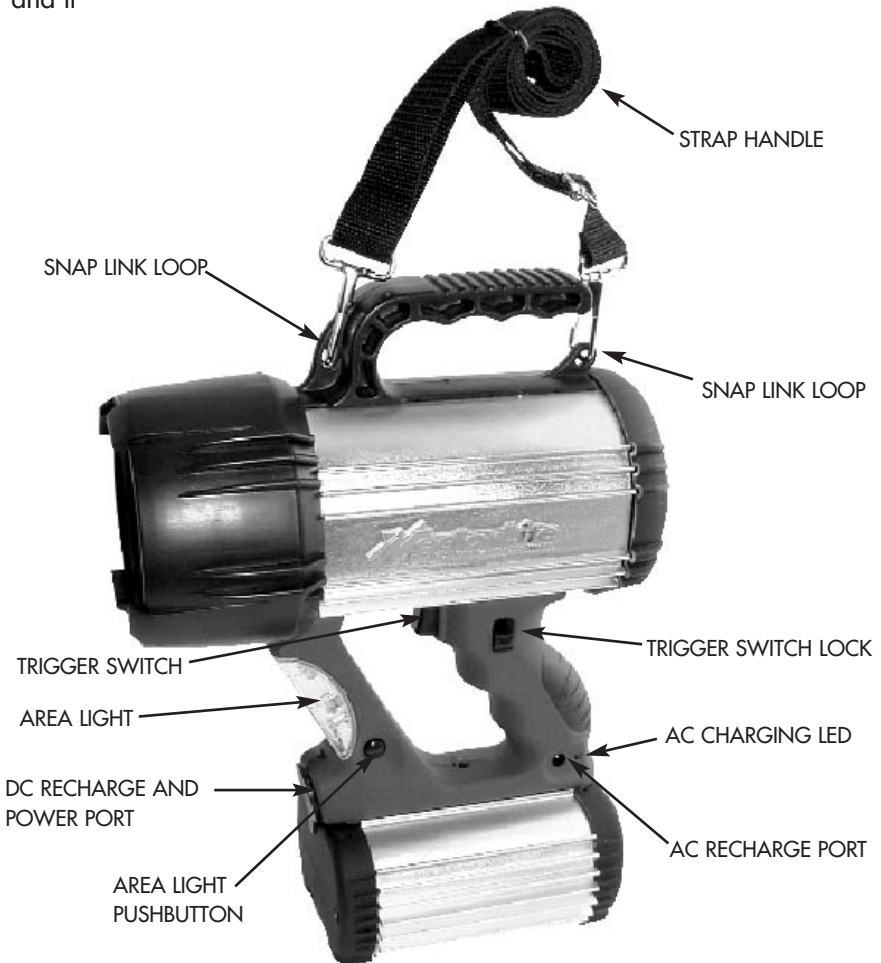
2. ADDITIONAL FEATURES

- Powerful, pre-focused, replaceable quartz halogen bulb in spotlight.
- Incandescent area light provides up to 25 hours of continuous operation.
- Trigger switch lock maintains spotlight operation without squeezing trigger.
- Trigger switch lock locks trigger switch to OFF position or ON position.
- Rubber safety guard (bezel) around lens protects spotlight.
- Safety caps protect upper and lower battery compartments.
- Separate power switch for the area light.
- Comfortable pistol grip.
- LED lights while battery is charging.
- UL approved AC/DC recharge adapter.

3. OPERATION

The trigger switch is squeezed to turn on the spotlight. This provides momentary operation. The trigger switch may be locked in the ON position to provide continuous light without continuously squeezing the trigger switch. To lock the trigger switch ON, move the trigger lock to the up position. After use, move the trigger lock down (OFF) and release the trigger switch. Store the spotlight with the trigger switch OFF and the trigger lock ON. ON/OFF operation of the area light is controlled by the area light pushbutton. This long lasting light can continuously operate up to 25 hours on a full battery charge.

FIGURE 1 shows locations of the trigger switch, trigger switch lock, area light and the



NOTE: This unit is shipped in a partially charged state. Initially charge unit using the AC charger for 5 hours or until green LED turns OFF. Charge after each use.

CAUTION: Do not recharge using AC and DC chargers at the same time.

4. **CHARGING THE VECTORLITE USING AC RECHARGE ADAPTER**

1. Locate the recharge port on the side of the spotlight (see figure 1).
2. Connect the charger to an appropriate AC power source.
3. Plug the charger's barrel connector into the recharge port located near the handle. Note that the red LED lights to indicate that the battery is charging.
4. Recharge for 12 hours maximum.
5. After recharge, disconnect the adapter from the external charging source, then disconnect barrel connector from the recharge port.
6. After AC recharge, wait 5 minutes before using spotlight.

Recharging from an AC source requires the use of the AC/DC recharge adapter.

NOTE: DO NOT OPERATE THE SPOTLIGHT DURING AC RECHARGE. Make sure the AC outlet provides 110 to 120 VAC at 60 Hz.

CAUTION: Use the supplied AC recharge adapter; do not substitute with any other.

FIGURES 2A & 2B - AC AND DC RECHARGING ADAPTERS

AC RECHARGE ADAPTER



DC RECHARGE ADAPTER



CHARGING/OPERATING FROM A DC SOURCE

Plug the DC recharge/power adapter (included) into the DC accessory socket on the front of the spotlight body, and then insert the power cord into the 12 Volt DC power outlet socket of your vehicle or other 12 Volt DC power source. The spotlight may be operated while the internal batteries are being charged. Allow approximately 8 hours charging time. Recharge for the recommended time. Make sure the DC source (jump starter, battery pack, vehicle accessory socket, etc) is 12 Volt DC. For corded operation, the DC source should be able to supply at least 10 amps at 12Volt DC.

5. PERIODIC MAINTENANCE

All batteries lose charge over time, especially when they are warm. AC recharge is recommended every two months, when not in frequent use. Use the AC recharger and charge for the recommended time. If the unit has dirt on it, gently clean the outer surfaces of the spotlight unit with a soft cloth moistened with a mild solution of water and detergent. Periodically inspect the condition of recharge adapters, connectors, and wires. Replace any components that may have become worn or broken.

6. PARTS REPLACEMENT

Several parts are replaceable by users. The quartz halogen bulb and two sealed lead acid batteries are proprietary and are available through Vector Manufacturing. A substitute 12 volt H3 75 watt bulb may be used instead of a Vector bulb. These can also be purchased from popular automotive parts suppliers nationwide. A "festoon" type automotive 12 volt 3.6 watt bulb is replaceable in the area light. Contact Vector Manufacturing's Technical Support Department for replacement parts and any additional information that you may need. They may be reached at (954) 584-4446 or toll free at (866) 584-5504.

SPOTLIGHT BULB REPLACEMENT

To replace the H3 type 12 volt bulb, you will need a small Phillips type screwdriver and a replacement bulb (Vector Part VEC190). Bulb life can be shortened by installing a bulb with dirt or fingerprints on it. The bulb can be wiped clean with a cloth moistened with alcohol. During bulb installation, avoid touching the glass part of the bulb. See Figures 3A and 3B for details.

1. Disconnect the unit from any charging adapters.
2. Pull the rubber bezel towards the front of the spotlight to reveal two small Phillips screws in the wide retaining ring. The screws are on opposite sides of the ring.
3. Using the screwdriver, remove (counter-clockwise) the two screws and set them aside.
4. Lift off the retaining ring, glass lens and rubber "O" ring and set them aside.
5. Carefully remove the reflector and bulb assembly.
6. Disconnect the bulb wire from the red power wire and set the burned out bulb aside.
7. Unsnap the hairpin retaining wires from the reflector's flange (Figure 3B)
8. Using the screwdriver, loosen the retaining screw to remove the bulb from the reflector (no need to completely remove this screw).
9. Lift out the bulb and the attached wire.

FIGURE 3A

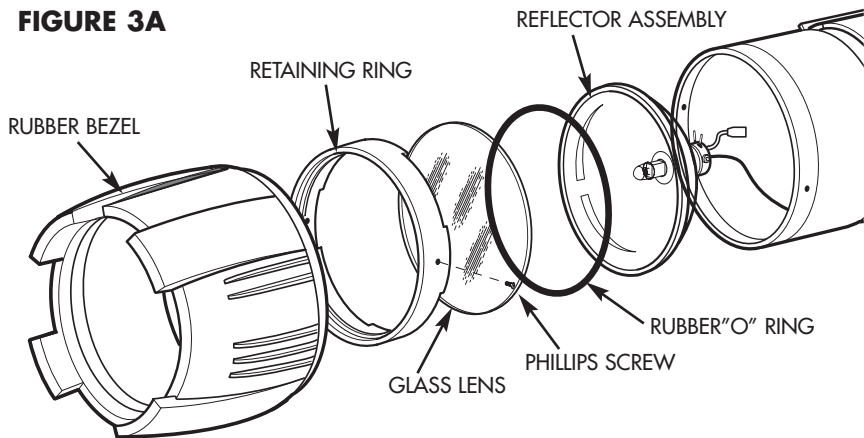
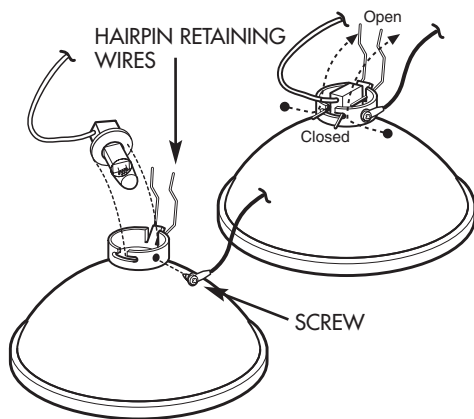


FIGURE 3B

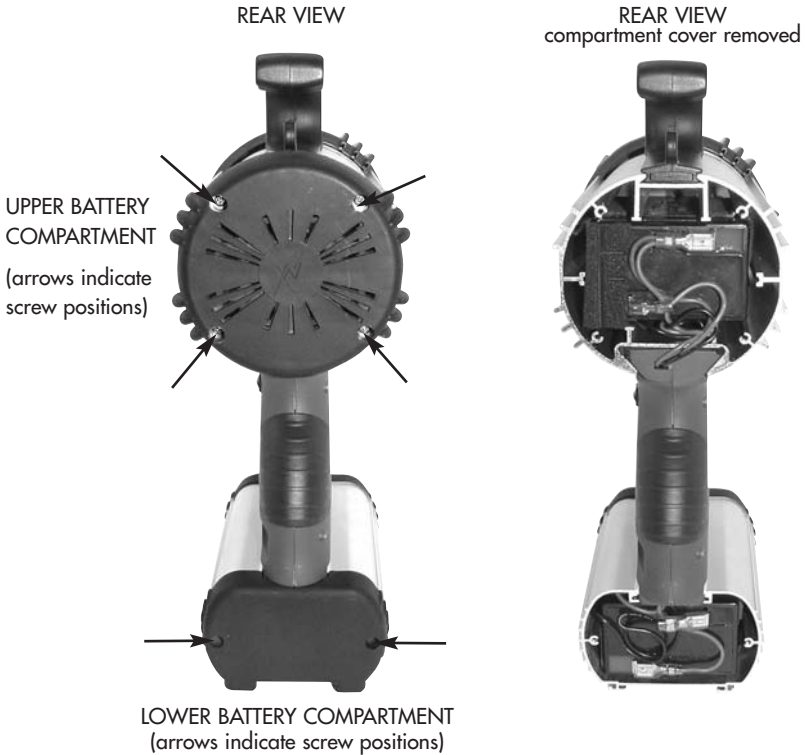


10. Insert the replacement bulb into the reflector's flange.
11. Put back and secure the hairpin retaining wires.
12. Connect the white bulb power wire to the red power wire.
13. Tighten the retaining screw on the flange.
14. Place the reflector in position in the body of the spotlight.
15. Replace the rubber "O" ring in the groove around the perimeter of the reflector.
16. Replace glass and retaining ring so that the screw holes are aligned.
17. Secure retaining ring with two Phillips screws.
18. Replace rubber bezel by sliding forward to the front of the spotlight.
19. Operate switch to ensure proper operation of spotlight.

REPLACING THE BATTERIES

The rechargeable, sealed, lead acid batteries have a life of several years, if recharged promptly after each use. When the fully charged batteries only provide about 10 minutes or less of spotlight operation, they should be replaced with new batteries. To replace the batteries, you will need the Phillips type screwdriver and replacement batteries (Vector Part VEC191). The batteries are in compartments referred to as upper and lower. Because of spotlight construction, there are two procedures; upper battery replacement and lower battery replacement. Both batteries are wired in series so they should be replaced at the same time. **DO NOT MIX BATTERY TYPES OR NEW AND OLD BATTERIES.**

FIGURES 4A AND 4B



The upper battery can be replaced by doing the following:

1. Remove the four Phillips screws (clockwise) that fasten the plastic end cap. See Figure 4A for locations.
3. Remove the upper end cap from the body.
4. Note the battery can slide out of the body so keep the body level.
5. The battery terminals are attached to two wires. These wires must be disconnected from the terminals of the battery.

WARNINGS: DO NOT ALLOW BARE WIRES OR CONNECTORS TO CONTACT EACH OTHER DANGEROUS SPARKING CAN OCCUR - NOTE WHICH WIRES ARE ON THE BATTERY TERMINALS

6. Note position of battery. Note which wire is on which terminal.
7. Disconnect the wires from the battery and set the battery aside.
8. Connect the replacement battery, making sure the correct wires are on the new battery terminals. Make sure POS (+) is red and NEG (-) is black.

CAUTION: Incorrectly connected wires will not allow the spotlight to operate or recharge. Incorrect battery polarity will damage the circuits inside the spotlight. Double check battery polarity before reassembly!

9. Replace battery compartment end cap. Make sure wires are not crushed.
 10. Replace four Phillips screws in battery compartment cover. Do not over-tighten.
- The lower battery pack can be replaced by following the upper battery replacement procedure except there are only two Phillips screws to be removed. After the lower battery is replaced and the lower end cap secured, recharge for 10-12 hours using the AC recharge adapter before using the spotlight.

SAFE BATTERY DISPOSAL

Contains maintenance-free, sealed, non-spillable, lead acid batteries, which must be disposed of properly. Recycling is required, contact your local authority for information. Failure to comply with local, state and federal regulations can result in fines, or imprisonment.

BATTERY DISPOSAL WARNINGS:

- Do not dispose of a battery in fire as this may result in an explosion.
- Before disposing of the battery, protect exposed terminals with heavy-duty electrical tape to prevent shorting (shorting can result in injury or fire).
- Do not expose batteries to fire or intense heat as they may explode.
- For more information on recycling these batteries, call toll-free 877-288-7722.

7. SPECIFICATIONS

| | |
|--------------------------|--|
| Spotlight Bulb | 12 volt, H3 series Vector Part No. VEC190 |
| Battery | Two maintenance free, sealed lead acid, 6 volt, 4.5 Amp Hour Vector Part No. VEC191 |
| Weight | 6.5 lbs (3.0 Kg) |
| Length | 8.63 in. (21.9 cm) |
| Width | 4.25 in. (10.8 cm) |
| Height | 12.5 in. (31.75 cm) |
| AC Recharge | 12V DC at 500 mA |

TWO YEAR LIMITED WARRANTY PROGRAM

This limited warranty program is the only one that applies to this product, and it sets forth all the responsibilities of Vector Manufacturing, Ltd., regarding this product. There is no other warranty, other than those described herein.

This Vector Manufacturing, Ltd. product is warranted, to the original purchaser only, to be free of defects in materials and workmanship for two years from the date of purchase without additional charge. The warranty does not extend to subsequent purchasers or users. Vector Manufacturing, Ltd. will not be responsible for any amount of damage in excess of the retail purchase price of the product under any circumstances. Incidental and consequential damages are specifically excluded from coverage under this warranty.

This product is not intended for commercial use. This warranty does not apply to accessories or damage to units from misuse or incorrect installation. Misuse includes wiring or connecting to improper polarity power sources.

RETURN/REPAIR POLICY: Defective products, other than accessories, may be returned postage prepaid to Vector Manufacturing. Any defective product, other than accessories, that is returned to Vector Manufacturing within 30 days of the date of purchase will be replaced free of charge. If such a product is returned more than 30 days but less than two years from the purchase date, Vector Manufacturing will repair the unit or, at its option, replace it free of charge.

If the unit is repaired, new or reconditioned replacement parts may be used, at Vector Manufacturing's option. A unit may be replaced with a new or reconditioned unit of the same or comparable design. The repaired or replaced unit will then be warranted under the terms of the remainder of the warranty period. The customer is responsible for the shipping charges on all returned items. During the warranty period, Vector Manufacturing, Ltd. will be responsible for the return shipping charges.

LIMITATIONS: This warranty does not cover accessories, bulbs, fuses and batteries, defects resulting from normal wear and tear (including chips, scratches, abrasions, discoloration or fading due to usage or exposure to sunlight), accidents, damage during shipping to our service facility, alterations, unauthorized use or repair, neglect, misuse, abuse, failure to follow instructions for care and maintenance, fire, flood, and Acts of God.

If your problem is not covered by this warranty, call our Technical Support Department at (954) 584-4446 or toll free at (866) 584-5504 for general repair information and charges if applicable. You may also contact us through our website at www.vectormfg.com.

STATE LAW RIGHTS: This warranty gives you specific legal rights. Some states do not allow limitations on how long an implied warranty lasts or the exclusion or limitation of incidental or consequential damages, so the exclusions or limitations stated herein may not apply. This warranty gives the purchaser specific legal rights; other rights, which vary from state to state, may apply.

TO REQUEST WARRANTY SERVICE FOR THIS PRODUCT: Contact Vector Manufacturing Technical Support by telephone, fax or mail. We suggest that you keep the original packaging in case you need to ship the unit. When returning a product, include your name, address, phone number, dated sales receipt (or copy), and a description of the reason for return and product serial number. After repairing or replacing the unit, we will return it to you within four weeks.

WARRANTY ACTIVATION: Please complete Warranty Activation Card and mail to Vector Manufacturing. Enter VEC118S as Model and Spotlight 1,500,000 CP as Product Type. All Vector Manufacturing, Ltd. products must be registered within 10 days of purchase to activate this warranty. Mail the completed registration form, along with a copy of the original sales receipt to:

ATTN.: CUSTOMER SERVICE / VECTOR MANUFACTURING, Ltd.

4140 SW 28th Way, Ft. Lauderdale, FL 33312

PH: 954-584-4446 • TOLL FREE: 866-584-5504 • Fax: 954-584-5556.

You may also contact us at our web site www.vectormfg.com.

WARRANTY MUST BE ACTIVATED WITHIN 10 DAYS OF PRODUCT PURCHASE DATE.

WARRANTY IS NON-TRANSFERABLE AND NON-REFUNDABLE.



© 2002 VECTOR MANUFACTURING, Ltd.

FT. LAUDERDALE, FL 33312 MADE IN CHINA

Download from www.Somanuals.com. All Manuals Search And Download.

Free Manuals Download Website

<http://myh66.com>

<http://usermanuals.us>

<http://www.somanuals.com>

<http://www.4manuals.cc>

<http://www.manual-lib.com>

<http://www.404manual.com>

<http://www.luxmanual.com>

<http://aubethermostatmanual.com>

Golf course search by state

<http://golfingnear.com>

Email search by domain

<http://emailbydomain.com>

Auto manuals search

<http://auto.somanuals.com>

TV manuals search

<http://tv.somanuals.com>