



VECTOR MANUFACTURING, Ltd.
4140 S.W. 28TH WAY
Ft Lauderdale, Fl 33312

VEC126
VEC126BW

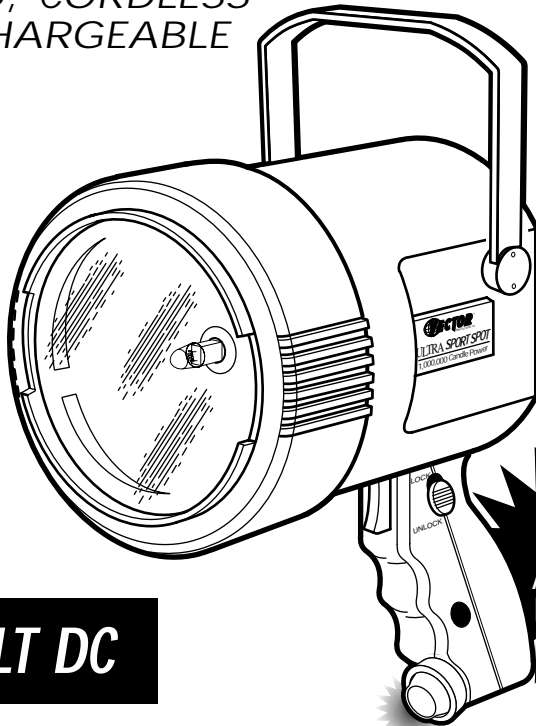


Ultra SPORT SPOT™

HALOGEN SPOTLIGHT

2 MILLION CANDLE POWER

*CORDED, CORDLESS
& RECHARGEABLE*



12-VOLT DC

THIS MANUAL CONTAINS IMPORTANT INFORMATION REGARDING SAFETY, OPERATION, MAINTENANCE AND STORAGE OF THIS PRODUCT. PLEASE READ ALL SAFETY WARNINGS AND INSTRUCTIONS CAREFULLY BEFORE USE.

OWNER'S MANUAL

4140 S.W. 28TH WAY, Ft. Lauderdale, FL 33312

Tel: (954) 584-4446 • Fax: (954) 584-5556

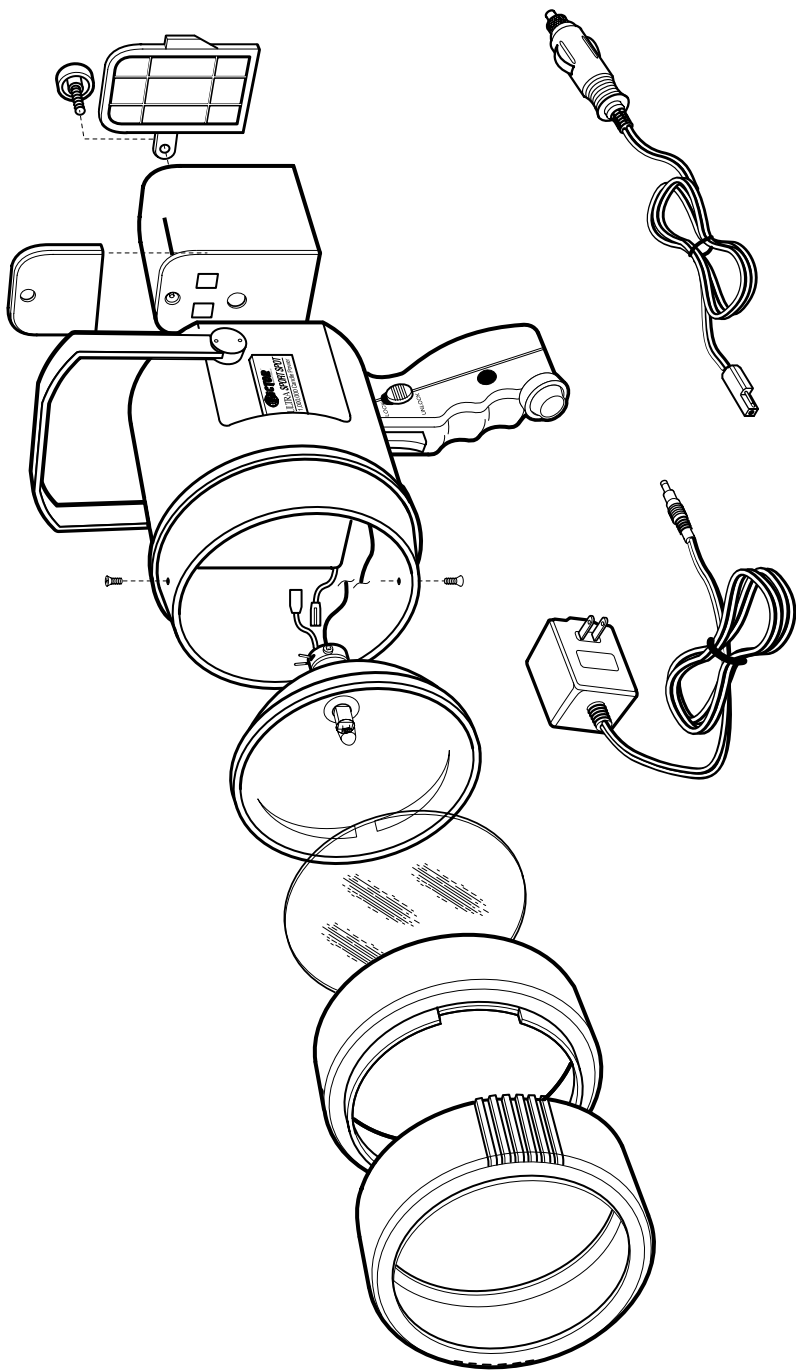
Download from www.Somanuals.com. All Manuals Search And Download.

CAUTION:

- DO NOT SUBMERGE IN WATER. This unit is not waterproof- it is water resistant
- Do not recharge with other than supplied AC and DC recharge adapters
- Do not overcharge battery
- This spotlight produces high levels of heat when operating - DO NOT TOUCH THE SPOTLIGHT LENS WHEN THE SPOTLIGHT IS ON
- Keep spotlight lens away from combustible materials when spotlight is ON

INTRODUCTION	1
FEATURES	2
SPOTLIGHT OPERATION	3
AREA LIGHT OPERATION	3
CORDED OPERATION	3
CHARGING THE BATTERY WITH 110-VOLT AC ADAPTER	4
BULB REPLACEMENT	5
USAGE TIPS FUSE REPLACEMENT SPECIFICATIONS BATTERY DISPOSAL	8
WARRANTY INFORMATION	9 & 10

ULTRA SPORT SPOT®
CORDED/CORDLESS RECHARGEABLE HALOGEN SPOTLIGHT DIAGRAM



INTRODUCTION

Congratulations on selecting the new Vector™ **ULTRA SPORT SPOT®** - the most powerful handheld rechargeable spotlight available. With 2 million candlepower strength, it's clean, tight beam carries up to 2 miles and focuses 50% more light on the target at a distance of 1000 ft. (compared to similar products).

When fully charged the **ULTRA SPORT SPOT®** provides up to 30 minutes of cordless, ultra-bright illumination, using the latest ultra-white, high power type of halogen technology.

The **ULTRA SPORT SPOT®** has many features that make it the best choice for home or outdoor use - whenever and wherever you need to light up the darkness. It can be used cordless with its rechargeable, removable battery pack; or corded, using any vehicle's 12-volt DC universal cigarette lighter receptacle.

The removable, rechargeable battery pack is easily recharged from a 12-volt DC or 110-volt AC power source, I.E.: a vehicle's 12-volt DC battery, or a standard 110-volt AC household power socket.

The replaceable 12-volt H3 type quartz halogen bulb powerful beam of ultra-white light even penetrates rain, fog, and smoke, making it an excellent source of emergency lighting during utility power outages. With proper care and use, it will give you years of dependable, supplemental lighting.

FEATURES

- **LATEST TECHNOLOGY - HIGH INTENSITY, ULTRA-WHITE H3 TYPE HALOGEN BULB FOR BRIGHTER ILLUMINATION USING LESS POWER**
- **CLEAN, TIGHT BEAM CARRIES UP TO 2 MILES!**
- **COMPUTER-DESIGNED PARABOLIC REFLECTOR ENHANCES LONG DISTANCE VISIBILITY**
- **REMOVABLE BATTERY PACK RECHARGES FROM HOME OR VEHICLE (ADAPTERS INCLUDED)**
- **TAKE ANYWHERE - USE CORDLESS FOR UP TO 30 MINUTES OF CONTINUOUS LIGHT (WHEN FULLY CHARGED)**
- **USE CORDED - PLUG INTO ANY 12-VOLT DC OUTLET FOR EXTENDED USE WITH OR WITHOUT BATTERY INSTALLED.**
- **RUGGED, WEATHERPROOF, ABS CONSTRUCTION**
- **COMFORTABLE, PISTOL-GRIP HANDLE WITH LOCKING ON/OFF TRIGGER**
- **NEW SWIVEL HANDLE/STAND FOR EASY PORTABILITY AND STORAGE**
- **RECHARGE AND USE FROM 12 VOLT DC OUTLET**
- **AREA LIGHT IN HANDLE LIGHTS UP TO 14 HOURS ON FULL BATTERY CHARGE**

Please read and follow all safety warnings and instructions carefully before using the **ULTRA SPORT SPOT®**

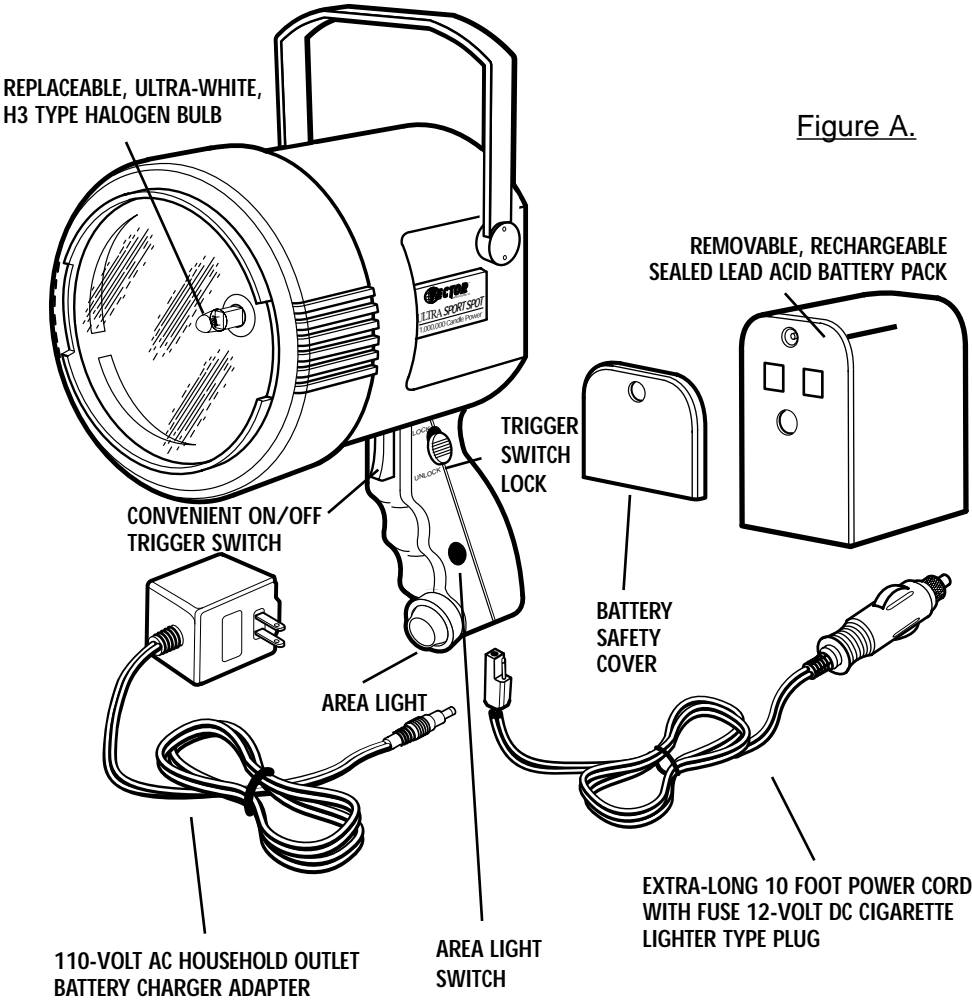


Figure A.

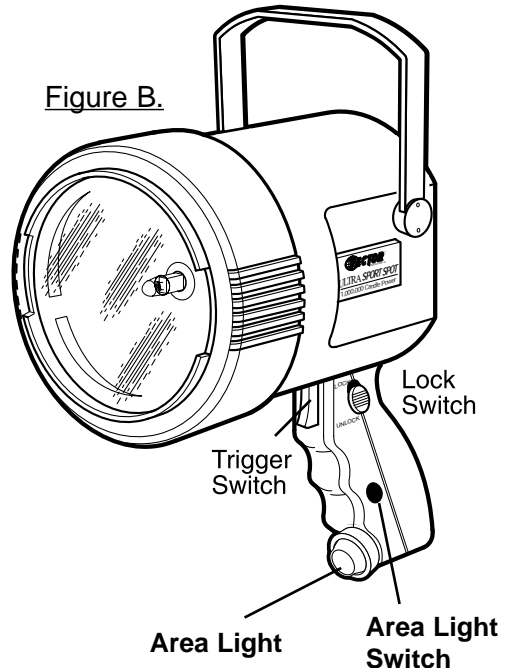
SPOTLIGHT OPERATION

1. Before cordless use, charge battery fully with 110-volt AC battery charger adapter (see instructions on page 4). With a full charge, the **ULTRA SPORT SPOT®** will provide up to 30 minutes of continuous, cordless illumination.
2. Press trigger switch to turn beam ON.
3. Release trigger switch beam to turn OFF.
4. For a continuous beam, press trigger and slide the lock switch up into the lock position. Slide the lock switch down into the unlock position to turn off beam (Figure B.)
5. When light dims, battery charge is low. Do not allow battery to completely discharge. Fully recharge battery as soon as possible after each use.

AREA LIGHT OPERATION

The long lasting area light in the handle is controlled by a small button type switch located in the handle. Press the button to turn on the light. With the battery fully charged, the area light can continuously operate for 14 hours. When the unit is plugged into an external DC source, the area light can operate as long as 12 volts is available.

The handle can be positioned so that it acts as a stand. The light can rest on the handle and the area light assembly can be swiveled to provide the best lighting. Press and release the area light button to turn it off.



WARNING:

Never leave the spotlight laying lens-down on any surface when beam is turned on. Contact could ignite or burn surfaces such as seat cushions, carpeting, tables, etc. and pose a serious threat of fire. When beam is turned off, ALWAYS keep the lock switch in the lock position to avoid accidentally turning on the beam.

CORDED OPERATION

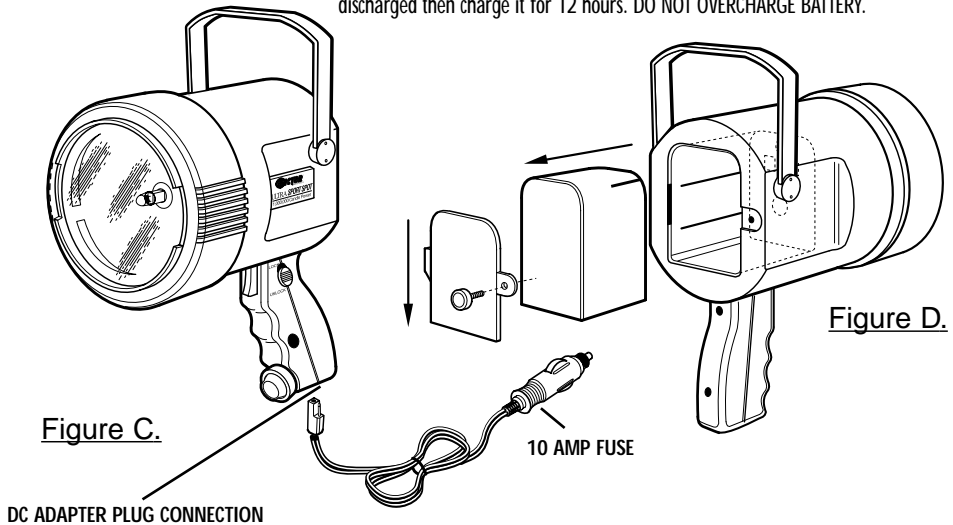
NOTE: During corded operation, the battery may be left in the unit, and will charge while the spotlight or area light are being used. A full charge takes about 3-4 hours using the DC method or the battery may be removed for charging (using the 12-volt 110-volt AC method.)

1. Insert 12-volt DC power plug into DC adapter plug at bottom of handle (**Figure C**).
2. Plug the other end into any vehicle's cigarette lighter receptacle or other compatible 12-volt DC power source.

CHARGING THE BATTERY WITH 110-VOLT AC ADAPTER

The 110-volt AC adapter provides a much more effective charge compared to charging with a 12-volt DC power source. Because the battery pack is removable, you can charge the battery at home while your **ULTRA SPORT SPOT®** is being operated with the 12-volt DC power cord. For extended use, we recommend purchasing an additional battery as back-up. Call Vector™ Customer Service department at 954-584-4446 or toll free at 866-584-5504

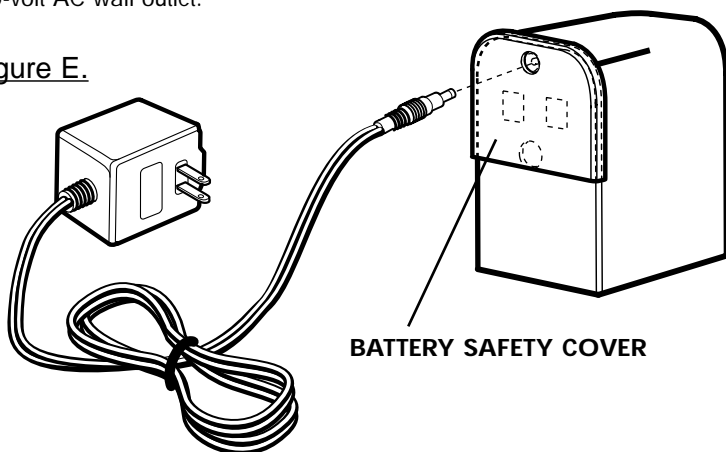
- Figure D.**
1. Slide the battery pack cover towards the handle. Completely remove the cover and set it aside.
 2. The battery pack can be removed from the light by carefully tapping the unit and freeing the battery.
 3. Make sure the battery pack contacts are not shorted to any metal objects.
- Plug the AC adapter into the battery and charge for eight hours. If battery is severely discharged then charge it for 12 hours. **DO NOT OVERCHARGE BATTERY.**



CAUTION: The battery safety cover must be in place while charging to prevent a short circuit if the contact points are accidentally placed against metal.

4. Plug the 110-volt AC adapter into the battery (Figure E.) and plug into any standard 110-volt AC wall outlet.

Figure E.



5. Battery will be fully charged after 18 hours. DO NOT charge more than 24 hours or you may damage the battery.
6. Unplug adapter, then remove battery safety cover.
7. Replace battery into spotlight with metal contact points facing in.
8. Replace battery cover. Fasten screw by turning clockwise with your fingers.

BULB REPLACEMENT

NOTE: Use only Vector™ ultra-white, H3 12-volt Halogen replacement bulb, designed specifically for the ULTRA SPORT SPOT®. Use of any other bulb could result in poor performance and damage to your spotlight. Please read all instructions before proceeding with bulb replacement.

1. Disconnect the spotlight from corded power source and remove battery.
2. Slide the protective rubber bezel forward and remove it.
3. Using a small phillips screwdriver, remove the screws at the top and the bottom of the front housing (Figure F). Place spotlight lens-down on flat surface.
4. Grasp the spotlight handle and gently lay the housing next to the lens, being careful not to pull apart wire connections.

NOTE: DO NOT TOUCH the glass bulb or the inside of the reflector with fingers. Natural oils from hands can adversely affect performance or cause the bulb to shatter when heated. Handle the bulb by its metal base only.

-
5. Push wire prongs together and push up to release (**Figure G.**)
 6. Loosen grounding wire screw and pull bulb out by its base (**Figure H.**)

Figure F.

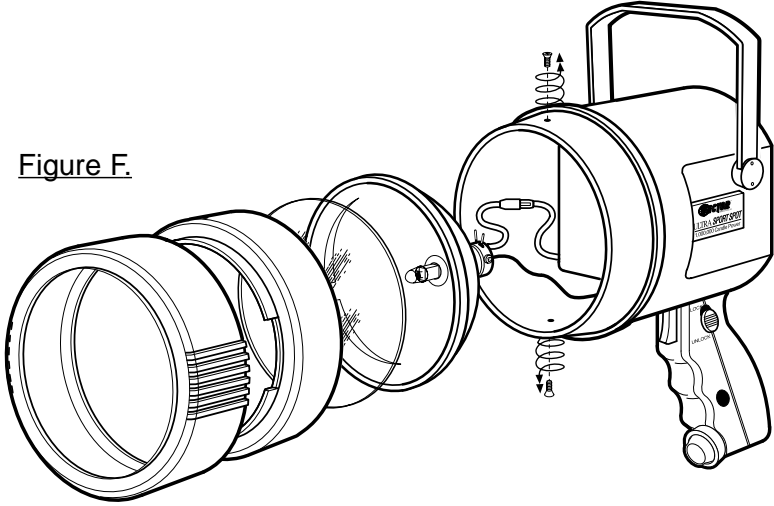


Figure G.

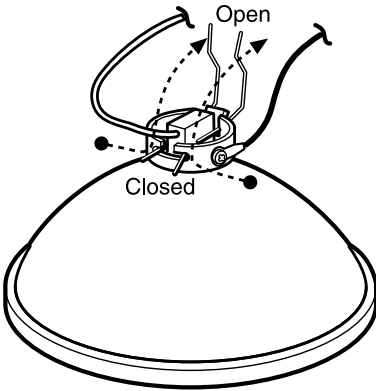
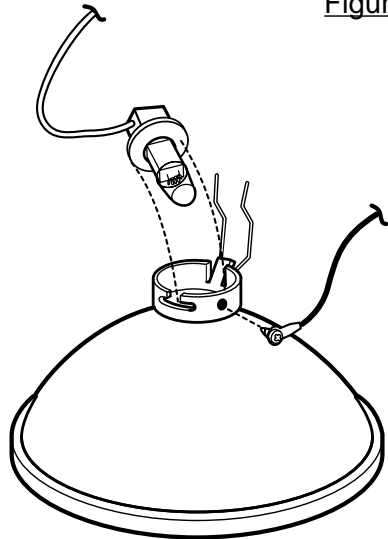


Figure H.



-
7. Disconnect bulb wire from its connection in the housing by holding the connector firmly and pulling the wire straight out (**Figure I.**)
 8. To install new bulb, hold the bulb by its metal end and insert into the reflector mounting plate. Align the slots in the bulb base with those in the reflector mounting plate.
 9. Tighten the grounding wire screw.
 10. Replace wire retainer by pressing prongs together while pressing down.
 11. Reconnect the bulb wire to the connector in the housing (**Figure J.**)
 12. To reassemble, set the reflector into the front housing (laying on a flat surface). Insert the rear housing into the front housing until grooves are aligned.
 13. Replace the screws removed in **step 3**. Do not over tighten.
 14. Slide the rubber bezel back into place (rounded edge facing front).

Figure I.

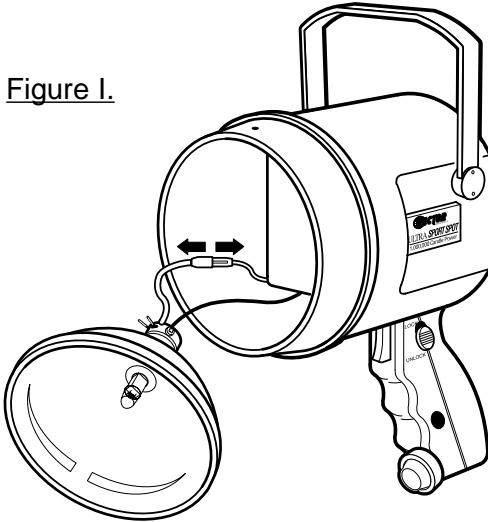
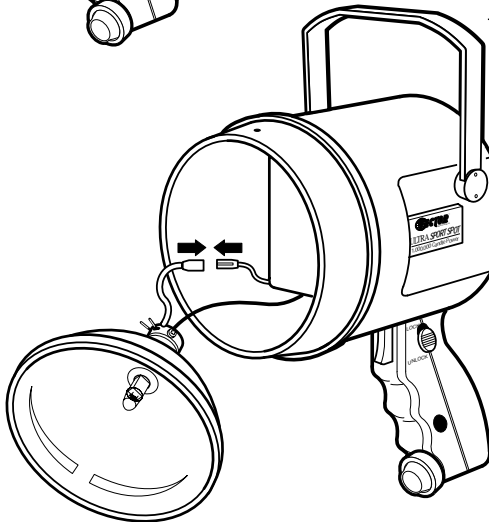


Figure J.



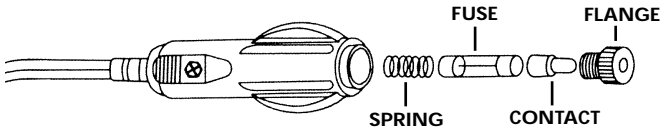
USAGE TIPS

For best results and to prevent damage to spotlight:

- Use only the charging devices included with your **ULTRA SPORT SPOT™**, or a Vector™ Manufacturing replacement. Replacement bulbs and batteries are available from our customer service department by calling (954)584-4446 or call toll free 866-584-5504, 9:00 am to 5:30 pm (est).
- Charge battery with AC adapter for at least 18 hours. Do not charge longer than 24 hours.
- Do not let battery run down completely. (A dim light indicates a low battery.) Recharge battery as soon as possible after each use.
- If spotlight is not in use, charge battery at least every five months. Failure to do so will result in damage to the battery. Always keep battery fully charged when not in use.
- Do not allow metal to touch the square metal contacts on the battery. This can cause a short circuit that could result in fire. Always put the battery safety cover on when battery is removed.

FUSE REPLACEMENT

The DC plug contains a 10 amp fuse. If the fuse blows, investigate the reason and fix the problem. Then replace the fuse. Disconnect the spotlight from the DC adapter, unscrew the flange on the DC counterclockwise. remove the end contact and fuse. Replace the flange and tighten clockwise. **DO NOT OVERTIGHTEN FLANGE.**



SPECIFICATIONS

Spotlight Bulb	H3 Proprietary, 12 Volt
Area light bulb2.6 Watt, Proprietary, 12 Volt
Battery	12 Volt, 3 AH Sealed Lead Acid
AC Charger	110 VAC to 12 VDC 500 mA

BATTERY DISPOSAL

THIS UNIT CONTAINS A MAINTENANCE-FREE, NON-SPILLABLE, LEAD ACID BATTERY WHICH MUST BE DISPOSED OF PROPERLY. SOME STATES REQUIRE RECYCLING. DISPOSAL QUESTIONS? IN USA, CALL 1-877-288-7722





120 DAY LIMITED WARRANTY REGISTRATION FORM

This Vector Manufacturing, Ltd. product is warranted to the original purchaser only, for 120 days from the date of purchase, to be free of defects in materials and workmanship. In no event will Vector Manufacturing, Ltd. be responsible for any amount of damages beyond the retail purchase price of the product. All Vector Manufacturing, Ltd. products must be registered within (10) days of purchase. To activate this warranty, mail the completed registration form along with a copy of the original sales receipt to the address shown below.

TERMS OF REPAIR OR REPLACEMENT: In the event of a defective unit, return the unit to us within 30 days of the date of purchase, and we will replace it, free of charge. If returned after 30 days but within 120 days of the purchase date we will repair the unit or, at our option, replace it free of charge. If we repair the unit, we may use new or reconditioned replacement parts, at our option. If we elect to replace the unit, we may replace it with a new or reconditioned one of the same or comparable design. The repair or replacement unit will then be warranted under the terms of our standard 120 day warranty. The customer is responsible for shipping charges on all returned items. During the warranty period, Vector Manufacturing, Ltd. will be responsible for the repair or replacement cost plus the return shipping charges.

LIMITATIONS: Implied warranties, including those of fitness for a particular purpose and merchantability (an unwritten warranty that the product is fit for ordinary use), are limited to 120 days from the purchase date. Vector Manufacturing, Ltd. will not reimburse for loss of time, inconvenience, loss of use of a product or property damage caused by a product or its failure to work or any other incidental or inconsequential damages, including personal injury.

EXCLUSION: This warranty does not cover bulbs, fuses and batteries, defects resulting from normal wear and tear (including chips, scratches, abrasions, discoloration or fading due to usage or exposure to sunlight), accidents, damage during shipping to our service facility, alterations, unauthorized use or repair, neglect, misuse, abuse, failure to follow instructions for care and maintenance, fire, flood and Acts of God. If your problem is not covered by this warranty, call our customer service facility at (954) 584-4446 for general repair information and charges. This limited warranty is the only one that applies to this product and sets forth all the responsibilities of Vector Manufacturing, Ltd. regarding this product. There are no warranties which extend beyond those described herein.

STATE LAW RIGHTS: Some states do not allow limitations on how long an implied warranty lasts or the exclusion or limitation of incidental or consequential damages, so the exclusions or limitations stated herein may not apply. This warranty gives the purchaser specific legal rights; other rights, varying from state to state, may apply.

TO REQUEST WARRANTY SERVICE FOR THIS PRODUCT: Within 30 days of the purchase date, return the unit, along with the dated sales receipt, to the place of purchase for immediate replacement. After 30 days, but within the 120 day warranty period, you may return the product to the address shown below. We strongly suggest that you retain the original packaging in case you need to ship the unit. When returning a product, include your name, address, phone number, dated sales receipt and a description of the reason for return. After repairing or replacing the unit, we will return it to you within four weeks.

Please activate my Limited Warranty for Model VEC126
 I have enclosed a copy of the original sales receipt.

Name _____
Street Address _____
City _____ State _____ Zip code _____
Phone _____ Fax _____ E-mail _____
Item Purchased _____ Date of Purchase _____
Store Where Purchased _____
UPC Number from package (12 digits) _____

All Vector Manufacturing, Ltd. products must be registered within (10) days of purchase to activate this warranty. Mail the completed registration form, along with a copy of the original sales receipt, to:

ATTN: CUSTOMER SERVICE / VECTOR MANUFACTURING, LTD.
4140 S.W. 28th WAY
FT. LAUDERDALE, FL 33312

Cut here



3 YEAR EXTENDED WARRANTY REGISTRATION FORM

Certain Vector Manufacturing, Ltd. products are eligible to be covered to the original purchaser only, for three (3) years from the date of purchase to be free of defects in materials and workmanship. Vector Manufacturing, Ltd. disclaims any liability for consequential damages. In no event will Vector Manufacturing, Ltd. be responsible for any amount of damages beyond the amount paid for the product at retail. In the event of a defective item, please ship the item to us, prepaid, with an explanation of the problem, your name, address and daytime telephone number. Vector Manufacturing, Ltd. will, at its option, replace or repair the defective part.

The following situations are not covered under this warranty:

- ✓ Cost of shipment to Vector Manufacturing, Ltd.
- ✓ Normal wear and tear, including chips, scratches, abrasions, discoloration or fading due to usage or exposure to sunlight.
- ✓ Damage caused by misuse, abuse, neglect, alterations, repairs by unauthorized persons, or failure to follow recommended care and use instructions.
- ✓ Bulbs and batteries.

Please activate my Extended Warranty for Model # VEC126.

Name _____

Street Address _____

City _____ State _____ Zip Code _____

Phone _____ Fax _____ E-mail _____

Item Purchased _____

Date of Purchase _____

Store where purchased _____

UPC Number from package (12 digits) _____

Form of Payment (US\$12.00) Check Money Order
(payable to: Vector Manufacturing, Ltd.)

Enclose a copy of your original sales receipt and a check or money order for US\$12.00 made payable to Vector Manufacturing, Ltd., and mail to:

VECTOR MANUFACTURING, Ltd.
4140 S.W. 28TH WAY
Ft Lauderdale, FL 33312

**WARRANTY MUST BE PURCHASED WITHIN 90 DAYS OF PRODUCT PURCHASE DATE.
WARRANTY IS NON-TRANSFERRABLE AND NON-REFUNDABLE.**

Cut here

Free Manuals Download Website

<http://myh66.com>

<http://usermanuals.us>

<http://www.somanuals.com>

<http://www.4manuals.cc>

<http://www.manual-lib.com>

<http://www.404manual.com>

<http://www.luxmanual.com>

<http://aubethermostatmanual.com>

Golf course search by state

<http://golfingnear.com>

Email search by domain

<http://emailbydomain.com>

Auto manuals search

<http://auto.somanuals.com>

TV manuals search

<http://tv.somanuals.com>