

# RESCUE SPOTLIGHT

## 500,000 CANDLE POWER

### CORDED-CORDLESS RECHARGEABLE SPOTLIGHT

WITH BUILT-IN STAND AND AREA UTILITY LIGHT



## OWNER'S MANUAL & WARRANTY INFORMATION

THIS MANUAL CONTAINS IMPORTANT INFORMATION REGARDING SAFETY, OPERATION, MAINTENANCE AND STORAGE OF THIS PRODUCT. BEFORE USING, READ AND UNDERSTAND ALL CAUTIONS, WARNINGS, INSTRUCTIONS AND PRODUCT LABELS, PLUS YOUR VEHICLE'S BATTERY MANUFACTURER GUIDELINES. FAILURE TO DO SO COULD RESULT IN INJURY AND/OR PROPERTY DAMAGE.

4140 SW 28TH WAY, FT. LAUDERDALE, FL 33312  
TEL 954-584-4446 • TOLL FREE: 866-584-5504 • FAX 954-584-5556  
[www.vectormfg.com](http://www.vectormfg.com)

**NOTE: This unit is shipped in a partially charged state. Initial charge time 18-20 hours, using AC charger. Recharge after each use.**

## **IMPORTANT SAFETY INSTRUCTIONS**

### **WARNINGS:**

Contains non-spillable, sealed, lead acid battery. Must be recycled or disposed of properly.

**DO NOT** dispose of batteries in fire, as this may result in an explosion. **DO NOT open battery or short circuit, as this may cause the battery to leak or get hot, causing personal injury.** Any disposal questions call toll-free (877) 288-7722.

Please read Instruction Manual completely for all safety and warning instructions.

### **WARNINGS:**

**USE ONLY WITH CHARGER PROVIDED WITH UNIT.**

### **DURING AC RECHARGE OR DC RECHARGE:**

- a) Never turn on while charging.
- b) After recharge – disconnect cord and wait 5 minutes before use.

### **DO NOT OVERCHARGE:**

- a) AC recharge 15 hours.
- b) DC recharge 3 hours maximum.

1. Do not substitute power cords or adapters. Only recharge with supplied AC and DC recharge adapters. Recharge adapters for this unit supply 12 volts DC. **Do not recharge with adapters other than the ones supplied with this**

**charge unit.**

2. Do not submerge in water. This unit is not waterproof - it is water resistant.
3. Do not overcharge battery.
4. Do not operate spotlight while recharging. This will prevent battery recharge and overheat the charging adapters.
5. Lens gets very hot when spotlight is operating. Do not touch lens - keep children away from spotlight.
6. Keep combustibles away from spotlight lens - extreme heat can cause fires. This is not a toy!
7. Keep sharp objects away from glass lens - it is breakable.
8. Do not drop or throw spotlight, it contains glass and a sealed lead acid battery.
9. Dispose of unusable batteries in a responsible manner (see battery disposal section).
10. Make sure that during recharge, cords are protected from damage.
11. Do not crush, cut, pull or expose recharge adapter cords to extreme heat.
12. Keep recharge cords away from sharp edges. Position recharge cords so that they do not become entangled or become a safety hazard.

## **INTRODUCTION**

Congratulations on purchasing the Vector **Rescue SpotLight**, an advanced design combination spotlight and area light. It instantly converts use from a powerful spotlight to a soft, long-lasting area light. It uses a powerful, proven-technology, rechargeable, non-spillable, sealed, lead acid battery that allows for years of dependable use, recharge after recharge. It was designed from the ground up to be the most versatile and practical light for travel, camping, picnicking, tailgate parties and boating. This spotlight gives you the kind of light you need, when and where you need it.

Two recharge adapters are supplied with the spotlight. It is rechargeable from either a 12 volt DC accessory outlet, or from any 110/120 volt 60 Hz AC outlet. This permits recharge flexibility for use around home, business or in the field. 12 volt DC power is available from most vehicles, boats, jump starters and portable battery packs. Vector has a variety of portable power products that would make ideal companions.

# 1. FEATURES

- Recharges from 12 volt DC accessory outlet using DC adapter
- Corded function allows for 12 volt corded use while charging
- Small, swivel "eyeball" area light provides up to 15 hours of operation
- Powerful, prefocused, replaceable quartz halogen bulb in spotlight
- Rubber safety guard (bezel) protects spotlight
- Recharges from North American Standard 110/120 volt AC, 60 Hz, AC outlet
- Three-way power switch - spotlight, off and area light
- Comfortable 2 position adjustable handle
- Adjustable, folding stand provides stability on tabletops and other flat surfaces

**FIGURE 1**



**FIGURE 2**



# 2. OPERATION

A three-position switch (spotlight, off, area light) controls on/off operation of both lights. The spotlight can be continuously lit for up to 25 minutes on a full battery charge. The area light can be lit for up to 15 hours on a full battery charge. The unit may be operated during DC recharge only. Figure 1 shows locations of the handle, adjustable stand. Figure 2 rear view, shows spotlight/off/area light switch, area light and handle lock button.

The handle adjusts to two different positions. The handle is released from either locked position by pressing on the handle lock button (located near two handle screws) and rotating the handle to the new position. When the handle is close to the body of the light (folded) the Rescue Spot is carried with the weight of the unit below the handle. When the handle is rotated perpendicular to the body of the unit, the unit is carried pistol-style with the unit's weight on top. It is your choice of operating positions, depending on your needs and comfort.

**FIGURE 3**



**FIGURE 4**



# 3. CHARGING

**Charging or operating with 12 volt DC Adapter** - Plug the DC fused recharge/power adapter (included) into the barrel receptacle on the back of the spotlight body, and then insert the 12 volt DC plug into the 12 volt DC outlet of your vehicle or other 12 volt DC power source. Make sure the locking trigger switch is in the off position. Allow approximately 3 hours charging time, if the engine is running. You may use the spotlight while its internal battery is recharging.

**Spotlight can operate directly with a DC power cord** - Operation from external 12 volt DC source, with at least 10 amp capacity, will allow for area light or spotlight operation and internal battery to charge simultaneously.

## 4. RECHARGING

AC and DC recharge requires use of these supplied recharge adapters. Do not charge spotlight using any other adapters (see figure 5).

### AC RECHARGE

Make sure that the AC source is 110/120 volts, 60 Hz.

**WARNING:** Use the supplied AC recharge adapter; do not substitute with any other. AC recharge requires the use of the supplied AC recharge adapter that supplies 12 volts DC.

#### **DURING AC RECHARGE/OR DC RECHARGE:**

- a) Never turn on while charging.
  - b) After recharge – disconnect cord and wait 5 minutes before use.
1. Lift the rubber plug from the recharge port (see Figure 3). It is there to keep out dust and moisture.
  2. Connect the wall transformer charger to an AC source.
  3. Plug the adapter's barrel connector into the recharge port located near the handle.
  4. Recharge for 15 hours maximum.
  5. After recharge, disconnect the barrel connector from the recharge port and store the adapter.
  6. Replace the rubber plug in the recharge port.

### DC RECHARGE

Make sure the DC source (jump starter, battery pack, vehicle accessory socket, etc) is 12 volt DC. The DC source should be able to supply at least 10 amps at 12 volt DC.

**WARNING:** Use the supplied DC recharge adapter, do not substitute.

DC recharge requires the use of the supplied DC recharge adapter. Do not substitute with any other.

1. Lift the rubber plug from the recharge port. It is there to keep out dust and moisture.
2. Connect the DC recharge adapter's DC plug to a 12 volt DC source.
3. Plug the adapter's barrel connector into the recharge port located near the handle.
4. Recharge for 3 hours maximum.
5. After recharge, disconnect the barrel connector from the recharge port and store the adapter.
6. Replace the rubber plug in the recharge port.

### DC OPERATION AND RECHARGE

You may operate the spotlight or area light directly from any 12 volt DC external power source supplying at least 10 amp capacity. The internal battery will be recharged while operating the spotlight or area light from external DC power source.

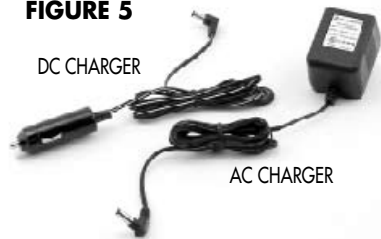
## 5. PERIODIC MAINTENANCE

All batteries lose charge over time, especially when they are warm. AC recharge is recommended every two months, when not in frequent use. Use the AC recharger and charge for the recommended time. If the unit gets dirty gently clean the outer surface of the spotlight unit with a soft cloth moistened with a mild solution of water and detergent. Periodically inspect the condition of recharge adapters, connectors, and wires. Replace any components that may have become worn or broken.

## 6. PARTS REPLACEMENT

Three parts are replaceable by users. The quartz halogen bulb and sealed lead acid battery are proprietary and are available through Vector Manufacturing. A substitute 12 volt H3 55 watt bulb may be used instead of a Vector bulb. These can also be purchased from popular automotive parts suppliers nationwide. The DC charging adapter fuse is replaceable. Contact Vector Manufacturing's Technical Support Department for replacement parts and any additional information that you may need. They

**FIGURE 5**



may be reached (954) 584-4446 or toll free (866) 584-5504.

## DC PLUG FUSE REPLACEMENT

The fuse in the DC plug protects the charging circuit of the DC recharge adapter. This fuse may blow if the spotlight is operated during DC recharge. If there is no slight warming of the DC plug, during recharge you should suspect that 12 volts DC is not powering the plug or the fuse is opened.

*To replace the fuse:*

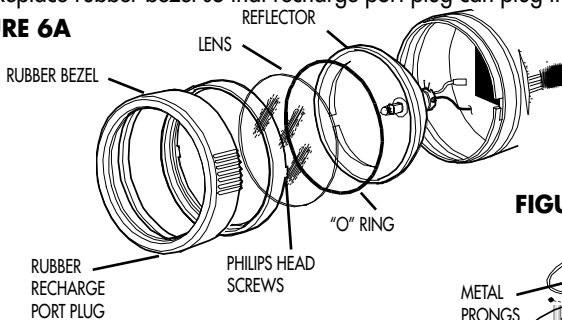
1. Unscrew the end cap of the DC plug (counterclockwise).
2. Remove spring center contact and fuse.
3. Check fuse with a continuity checker.
4. If blown, locate replacement fuse with same type and rating.
5. Replace the fuse, spring, contact and end cap.
6. Screw end cap clockwise until it is finger tight **do not over-tighten**.
7. Check for proper operation of DC charger adapter.

## SPOTLIGHT BULB REPLACEMENT

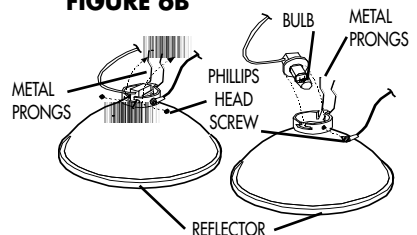
To replace the H3 type 12 volt bulb, you will need a small Phillips-head type screwdriver and a replacement bulb. Bulb life can be shortened by installing a bulb with dirt or fingerprints on it. The bulb can be wiped clean with cloth moistened with alcohol. During bulb installation, avoid touching the glass part of the bulb (see Figure 6A and 6B for details).

1. Disconnect the unit from any charging adapters.
2. Lift up the recharge port plug from the recharge port.
3. Pull off the rubber bezel to reveal two small Phillips-head screws.
4. Using the screwdriver, remove (counterclockwise) the two screws. Set them aside.
5. Lift off the retaining ring, glass, and rubber ring and set them aside.
6. Carefully remove the reflector and bulb assembly.
7. Disconnect the bulb wire from the red power wire and set the burned out bulb aside.
8. Unsnap the hairpin retaining wires from the reflector's flange.
9. Using the screwdriver, loosen the retaining screw to remove the bulb from the reflector (no need to completely remove this screw).
10. Lift out the bulb and the attached wire.
11. Insert the replacement bulb into the reflector's flange.
12. Put back and secure the hairpin retaining wires.
13. Connect the bulb power wire to the red power wire.
14. Tighten the retaining screw on the flange.
15. Place the reflector in position in the body of the spotlight.
16. Replace the rubber "O" ring in the groove around the perimeter of the reflector.
17. Replace glass and retaining ring so that the screw holes are aligned.
18. Secure retaining ring with two screws.
19. Replace rubber bezel so that recharge port plug can plug into the recharge port.

**FIGURE 6A**



**FIGURE 6B**



20. Operate switch to ensure proper operation of spotlight.

## REPLACING THE BATTERY PACK

The sealed lead acid battery has a life of several years, if recharged promptly after each use. When a fully charged battery only provides about ten minutes or less of spotlight operation, it should be replaced with a new one. To replace the battery, you will need a narrow shaft Phillips-head screwdriver and a replacement battery. The battery pack can be replaced by doing the following:

1. Complete the bulb replacement steps through step 5, to remove the reflector assembly.
2. Remove the three Phillips-head screws (clockwise) that fasten the two halves of the housing body. (see Figure 1 for locations).
3. Separate the two body halves and carefully pop out the handle, stand and recharge port assemblies.

**WARNING:** DO NOT ALLOW BARE WIRES OR CONNECTORS TO CONTACT EACH OTHER; DANGEROUS SPARKING CAN OCCUR

4. Note polarity of battery. Note which color wire is on which terminal.
5. Disconnect the wires from the battery and set the battery aside.
6. Connect the replacement battery, making sure the correct color wires are on the new battery terminals. Make sure POS (+) is red and NEG (-) is black.

**CAUTION:** Incorrectly connected wires will allow the spotlight to operate normally, however, when recharge adapters are connected, there will be damage to the battery and recharge adapters. Double check battery polarity before reassembly!

7. Replace handle, stand and recharge port assemblies in one half of the housing body. Make sure wires and connectors do not touch.
8. Place other half of housing body into position and replace three screws (clockwise). Do not overtighten.
9. Follow steps 14 through 20 for bulb replacement to reassemble reflector, rubber "O" ring, glass, retaining ring and rubber bezel. Charge the new battery using AC recharge adapter for a minimum of 18-20 hours initially, then 15 hours thereafter.

## SAFE BATTERY DISPOSAL

Contains a maintenance-free, sealed, non-spillable, lead acid battery, which must be disposed of properly. Recycling is required, contact your local authority for information. Failure to comply with local, state and federal regulations can result in fines or imprisonment.

### Battery Disposal Warnings:

- Do not dispose of the battery in fire as this may result in an explosion
- Before disposing of the battery, protect exposed terminals with heavy-duty electrical tape to prevent shorting (shorting can result in injury or fire)
- Do not expose battery to fire or intense heat as it may explode
- For more information on recycling this battery, call toll-free (877) 288-7722



## 7. SPECIFICATIONS

Spotlight Bulb.....	12 volt, H3 series
Battery .....	Maintenance free, sealed lead acid, 12 volt, 3 amp Hour
Weight .....	3 lbs 2 oz (1.45 kg)
Length .....	8.5 in (21.6 cm)
Width.....	6.0 in (15.2 cm)
Height (folded).....	6.5 in (16.5 cm)

## 1 YEAR LIMITED WARRANTY PROGRAM

This limited warranty program is the only one that applies to this product, and it sets forth all the responsibilities of Vector Manufacturing, Ltd., regarding this product. There is no other warranty, other than described herein.

This Vector Manufacturing, Ltd. product is warranted, to the original purchaser only, to be free of defects in materials and workmanship for one year from the date of purchase without additional charge. The warranty does not extend to subsequent purchasers or users. Vector Manufacturing, Ltd. will not be responsible for any amount of damage in excess of the retail purchase price of the product under any circumstances. Incidental and consequential damages are specifically excluded from coverage under this warranty.

This product is not intended for commercial use. This warranty does not apply to accessories or damage to units from misuse or incorrect installation. Misuse includes wiring or connecting to improper polarity power sources.

**RETURN/REPAIR POLICY:** Defective products, other than accessories, may be returned postage prepaid to Vector Manufacturing. Any defective product, other than accessories, that is returned to Vector Manufacturing within 30 days of the date of purchase will be replaced free of charge. If such a product is returned more than 30 days but less than one year from the purchase date, Vector Manufacturing will repair the unit or, at its option, replace it free of charge.

If the unit is repaired new or reconditioned replacement parts may be used at Vector Manufacturing's option. A unit may be replaced with a new or reconditioned unit of the same or comparable design. The repaired or replaced unit will then be warranted under the terms of the remainder of the warranty period. The customer is responsible for the shipping charges on all returned items after 30 days. During the warranty period, Vector Manufacturing, Ltd. will be responsible for the return shipping charges.

**LIMITATIONS:** This warranty does not cover accessories, bulbs, fuses and batteries, defects resulting from normal wear and tear (including chips, scratches, abrasions, discoloration or fading due to usage or exposure to sunlight), accidents, damage during shipping to our service facility, alterations, unauthorized use or repair, neglect, misuse, abuse, failure to follow instructions for care and maintenance, fire, flood and Acts of God.

If your problem is not covered by this warranty, call our Technical Support Department (954) 584-4446 or toll free (866) 584-5504 for general repair information and charges if applicable. You may also contact us through our website [www.vectormfg.com](http://www.vectormfg.com).

**STATE LAW RIGHTS:** This warranty gives you specific legal rights. Some states do not allow limitations on how long an implied warranty lasts or the exclusion or limitation of incidental or consequential damages, so the exclusions or limitations stated herein may not apply. This warranty gives the purchaser specific legal rights; other rights, which vary from state to state, may apply.

**TO REQUEST WARRANTY SERVICE FOR THIS PRODUCT:** Contact Vector Manufacturing Technical Support by telephone, fax or mail. We suggest that you keep the original packaging in case you need to ship the unit. When returning a product, include your name, address, phone number, dated sales receipt (or copy) and a description of the reason for return and product serial number. After repairing or replacing the unit, we will make every effort to return it to you within four weeks.

**WARRANTY ACTIVATION:** Please complete Warranty Activation Card and mail to Vector Manufacturing. Enter "VEC137R" as Model and "Rescue SpotLight 500,000 Candle Power" as Product Type. All Vector Manufacturing, Ltd. products must be registered within 10 days of purchase to activate this warranty. Mail the completed registration card, along with a copy of the original sales receipt to:

**ATTN.: CUSTOMER SERVICE / VECTOR MANUFACTURING, LTD.**

**4140 SW 28TH WAY, FT. LAUDERDALE, FL 33312**

**PH: (954) 584-4446 • TOLL FREE: (866) 584-5504 • FAX: (954) 584-5556.**

**YOU MAY ALSO CONTACT US AT OUR WEB SITE [WWW.VECTORMFG.COM](http://WWW.VECTORMFG.COM).**



© 2003 VECTOR MANUFACTURING, Ltd.  
FT. LAUDERDALE, FL 33312 MADE IN CHINA

Download from [www.Somanuals.com](http://www.Somanuals.com) All Manuals Search And Download.



## Free Manuals Download Website

<http://myh66.com>

<http://usermanuals.us>

<http://www.somanuals.com>

<http://www.4manuals.cc>

<http://www.manual-lib.com>

<http://www.404manual.com>

<http://www.luxmanual.com>

<http://aubethermostatmanual.com>

Golf course search by state

<http://golfingnear.com>

Email search by domain

<http://emailbydomain.com>

Auto manuals search

<http://auto.somanuals.com>

TV manuals search

<http://tv.somanuals.com>