

ClearWave[®] | Deluxe

Phototherapy Skincare System

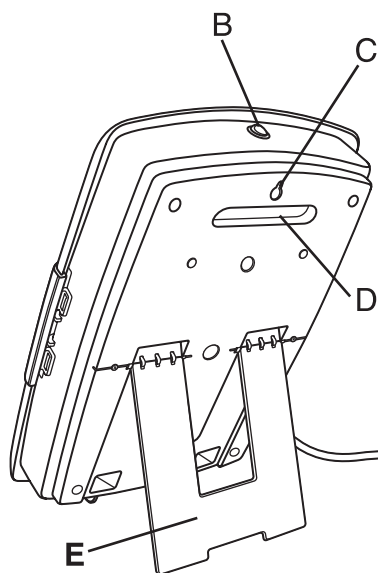
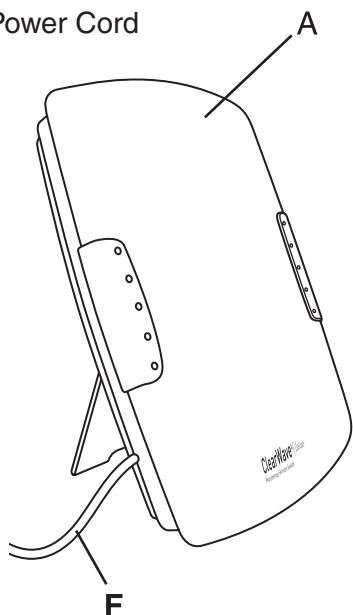
CWST1

GENERAL PRECAUTIONS

- Do NOT dismantle.
- Do NOT place near flammable or combustible items.
- Do NOT alter power cord.
- Unplug from electrical outlet during lightning storms or when unused for long periods of time.
- Unplug from electrical outlet before cleaning or changing bulbs.
- For indoor use only.

Main Parts & Controls

- A. Lens Cover
- B. On/Off Switch
- C. Wall Mount Bracket
- D. Carrying Handle
- E. Built-in Stand
- F. Power Cord



IMPORTANT SAFETY INSTRUCTIONS

Thank you for purchasing the Verilux® ClearWave® Deluxe Phototherapy Skincare System. Please read the following safety information before using.

IMPORTANT:

- Verilux® does not make any medical claims. This product is not intended to treat or prevent any illness.
- It is recommended that you consult a medical professional before using the ClearWave®.
- Before plugging in the ClearWave®, check to make sure the voltage corresponds with the main voltage of your location (120 volts).
- Do not use the ClearWave® outside or in wet locations such as bathrooms. It is rated for indoor, dry use only.
- Children should be supervised around the ClearWave®.
- Not for use with light dimmers, timers, or motion detectors.
- This product may cause interference with radios, cordless telephones, or devices that use a wireless remote control, such as televisions. If interference occurs, move the product away from the device, plug the product or device into a different outlet, or move the product out of the line of sight of the remote control receiver. This product complies with part 18 of FCC.
- The light bulbs may become loose during transit. To reinstall the light bulbs, see the bulb replacement instructions.
- The Verilux® ClearWave® is an electrical device.

DO NOT USE NEAR WATER

It is advisable that you contact a doctor if:

- You are hypersensitive to light and/or experience eye discomfort.
- You are currently taking certain light sensitive drugs such as Tetracycline.
- There is no improvement after using the ClearWave® Deluxe for 12 weeks, or if you feel uncomfortable.
- You have a history of eye disease.
- Do not treat the genitalia.
- Do not use if you are pregnant.
- If your skin responds negatively, discontinue use and consult a dermatologist.

IMPORTANT SAFETY INSTRUCTIONS

THIS PRODUCT MUST BE GROUNDED.

This product is equipped with a cord having an equipment–grounding conductor and a grounding plug. The plug must be plugged into an appropriate outlet that is properly installed and grounded in accordance with all local codes and ordinances.

DANGER

Improper connection of the equipment–grounding conductor can result in a risk of electric shock. Check with a qualified electrician or serviceman if you are in doubt as to whether the product is properly grounded. Do not modify the plug provided with the product – if it will not fit the outlet, have a proper outlet installed by a qualified electrician. This product is for use in a nominal 120 volt circuit, and has a grounding plug that looks like the plug illustrated in sketch (Fig. A). A temporary adapter that looks like the adapter illustrated in Fig. B may be used to connect this plug to a 2-pole receptacle as shown in Fig. B, if a properly grounded outlet is not available. The temporary adapter should be used only until a properly grounded outlet (Fig. A) can be installed by a qualified electrician. The green colored rigid ear, or lug extending from the adapter must be connected to a permanent ground such as a properly grounded outlet box cover. Whenever the adapter is used, it must be held in place by a metal screw.

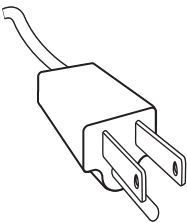


Figure A

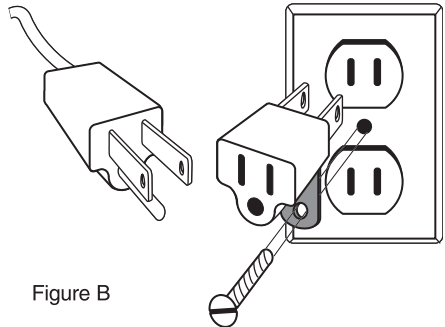
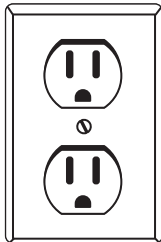


Figure B

INSTRUCTIONS FOR USE

To use the ClearWave® Deluxe Phototherapy Skincare System:

1. Plug into properly grounded outlet.
2. Turn the unit on using the on/off switch. Allow a few minutes at the start of each session for bulbs to achieve full illumination.
3. Gently wash the affected parts of the skin with a neutral PH soap and dry the skin.
4. Place the goggles (supplied) over your eyes, position yourself within 6 inches of the front of the ClearWave® (Figure 1).
5. Turn your face occasionally to ensure overall exposure.
6. Based on research, a 15 minute session daily for 8–12 weeks should produce the desired results.
7. While using ClearWave®, you may talk on the phone, meditate, or listen to music.
8. When finished with the session, turn ClearWave® off, remove goggles, and unplug ClearWave® from the wall.

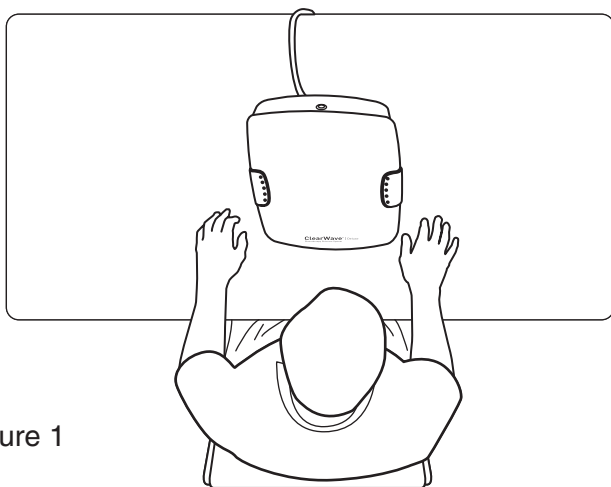


Figure 1

Note: ClearWave® does not contain harmful UV and WILL NOT cause sunburn or skin cancer with repeated use.

INSTRUCTIONS FOR USE

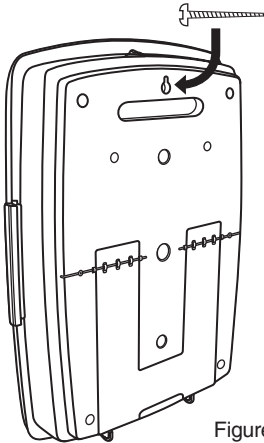


Figure 2

Hanging the ClearWave®

Place the screw included into the wall leaving approximately 3mm between the screw head and the wall. Be sure to use an the included anchor if mounting into sheet rock or other soft material. Insert the screw head into the hole located in the upper part of unit. (Figure 2).

Standing the ClearWave® on a Table Top

Unfold the stand on back of lamp (Figure 3) and place the ClearWave® on a stable, flat surface.

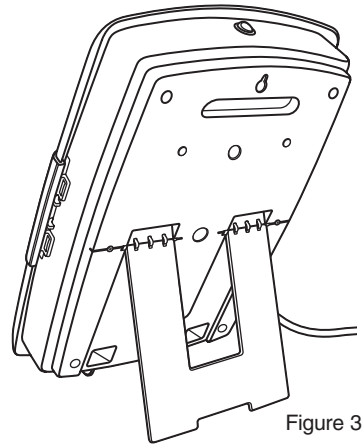


Figure 3

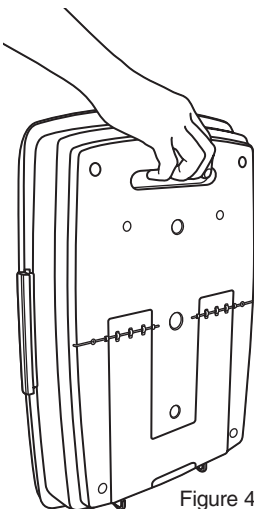


Figure 4

Transporting the Unit

The ClearWave® is very light and easy to carry. There is a convenient handle located on the back (Figure 4).

BULB REPLACEMENT INSTRUCTIONS

Step 1: Opening the Lens Cover

Place the ClearWave® on its back on a large flat surface. Press down gently on the center of the lens cover. (See Figure 5). This releases the locking tabs located under the grey handles. Open the lens cover by grasping the grey handles with your hands. Remove the lens and gently place it next to the unit with the logo face up.

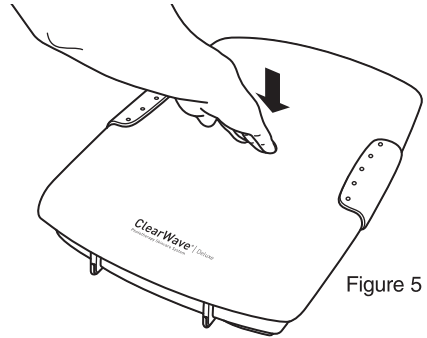


Figure 5

Step 2: Opening the Bulb Clips

Locate the clear plastic clips across each fluorescent tube (Figure 6). Put a finger under the clear plastic clip on the outer side and pull up (See Figure 7). The clip should pop open. Repeat on other side.

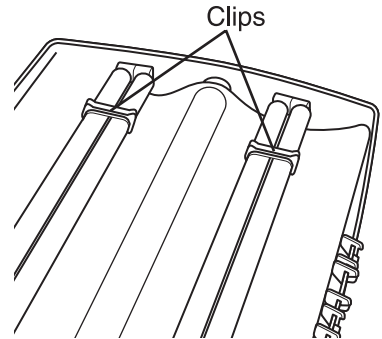


Figure 6

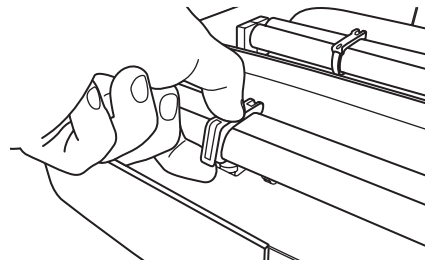


Figure 7

BULB REPLACEMENT INSTRUCTIONS

Step 3: Removing Bulbs

Gently lift the fluorescent tube up and out of the clip holder. Grasp the tube by the white plastic base with the Verilux® logo and remove the tube from the socket by pulling the tube towards the black cushion pads. (See Figure 8). Repeat removal of the second bulb.

Step 4: Installing New Bulbs

Ensure the ClearWave® is on its back on a large flat surface. Hold the fluorescent tubes by the white plastic base, not the glass. Ensure the Verilux® logo is facing up. Line up the pins on the base of the fluorescent tube with the holes in the socket. Gently push the bulb into the socket until it snaps securely in place. Repeat on other side.

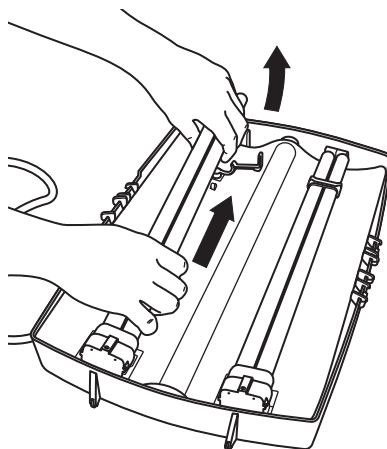


Figure 8

Bulb Disposal: All fluorescents contain some amount of mercury. Some states have special requirements regarding their disposal. Please go online to: www.lamprecycle.org or call 1-866-300-5606 for more information.

BULB REPLACEMENT INSTRUCTIONS

Step 5: Closing the Bulb Clips

Ensure the plastic bulb clips are centered on the white protective bands. Gently push on the upper portion of the fluorescent tube until it slides snugly into the clear plastic clip. Close the clip over the tube. The clip will click when fastened. Repeat on other side. (Figure 9).

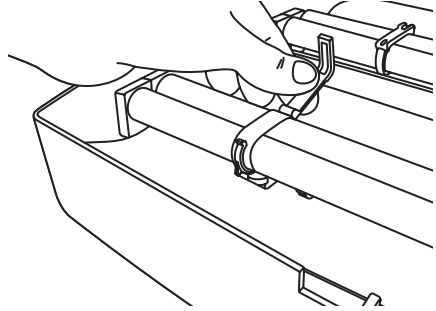


Figure 9

Step 6: Replacing the Lens Cover

Align the lens cover over the open face of the unit with the ClearWave® logo at the bottom of the lamp. Place your thumbs one inch beyond the grey handles towards the center of the unit while your other fingers grasp under the lip of the grey handles (see Figure 10). Pull outward with your fingers while pushing down on the lens with your thumbs. Release your fingers to snap the lens into place.

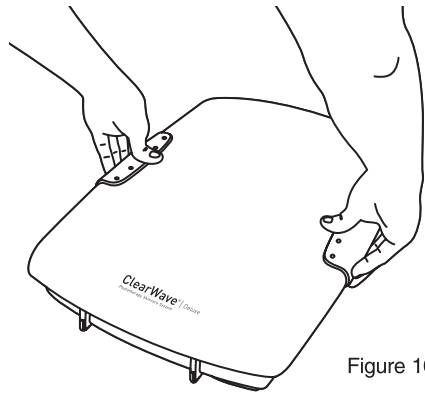


Figure 10

Plug your ClearWave® into an electrical socket and turn it on to ensure the bulbs were properly installed into their sockets. If the bulbs do not illuminate, ensure the bulbs are fully seated into the sockets.

CARE & CLEANING

Your ClearWave® Deluxe Phototherapy Skincare System is made from high quality materials that will last for many years with minimum care. You may want to periodically clean the inside of the lens and outside parts, using a mild non-abrasive cleaner and soft cloth. When cleaning, make sure you have turned off and unplugged the unit, and allowed sufficient time for the unit to cool.

DO NOT USE SOLVENTS OR CLEANERS CONTAINING ABRASIVES, OR AMMONIA BASED CLEANERS

Cleaning the lens is important for maintaining optimum light output. Periodically remove the lens (refer to lens removal instructions) and clean with soft damp cloth. All liquid should be properly wiped away and dried prior to restoring power.

TROUBLESHOOTING

Light flickers.

If bulb flickers when turned on, the bulb is not seated fully into the socket. If this occurs, repeat the bulb installation process applying additional force to ensure that the bulb is inserted fully into the socket.

Does not illuminate.

Make sure that the bulbs are secured into the sockets. Sometimes in shipping they will come loose. Try a different grounded outlet. In many cases, this will correct the problem.

IMPORTANT – Grounded outlets must be used for proper function of the unit. If both bulbs do not illuminate when you apply power, this may indicate an internal problem. Please call Verilux® Customer Service at 1-888-544-4865. See Warranty section.

Only one bulb illuminates.

If only one bulb illuminates, it is most likely a bad bulb. Try swapping bulbs and turn on again. If the same bulb fails to illuminate in the swapped position, the bulb needs to be replaced.

Bulb blackening at the ends.

This is a common phenomenon with most fluorescent tubes as they age. The black areas don't affect operation except to slightly reduce the amount of light available since the phosphor in that area is dead. Bulb replacement is recommended.

NOTICE – When returning a unit, be aware that damage during shipping is the responsibility of the purchaser and will void any warranty claim. We recommend that you purchase insurance when shipping this unit or any parts. Be sure to return product in original packaging.

Free Manuals Download Website

<http://myh66.com>

<http://usermanuals.us>

<http://www.somanuals.com>

<http://www.4manuals.cc>

<http://www.manual-lib.com>

<http://www.404manual.com>

<http://www.luxmanual.com>

<http://aubethermostatmanual.com>

Golf course search by state

<http://golfingnear.com>

Email search by domain

<http://emailbydomain.com>

Auto manuals search

<http://auto.somanuals.com>

TV manuals search

<http://tv.somanuals.com>