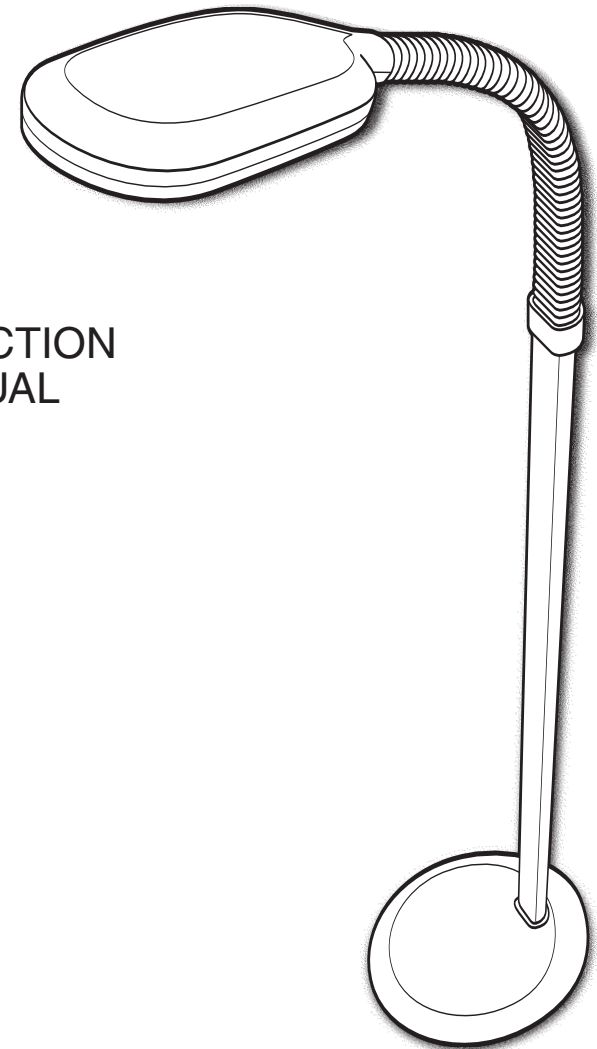


verilux[®]

HappyEyes[®]
FLOOR LAMP

Please visit our web site at:
www.verilux.net
Call our Client
Relations Department at
1-800-786-6850
(Representatives are available
Monday - Friday, 9 AM - 5 PM Eastern)

INSTRUCTION
MANUAL



verilux[®]
The Healthy Lighting Company™

Research Park
9 Viaduct Road
Stamford, CT 06907



Dear Customer,

Thank you for purchasing the Verilux® HappyEyes® Floor Lamp. You have received a quality product, backed by a three-year limited warranty. As a Verilux customer, your satisfaction means everything to us. We look forward to serving you now and in the future.

Many other healthy lighting products are available through our catalog and online. To request a copy of our catalog, call our toll-free number 1-800-786-6850. You may also visit us on the web at www.verilux.net to learn more about Verilux products.

Have a Bright Day!

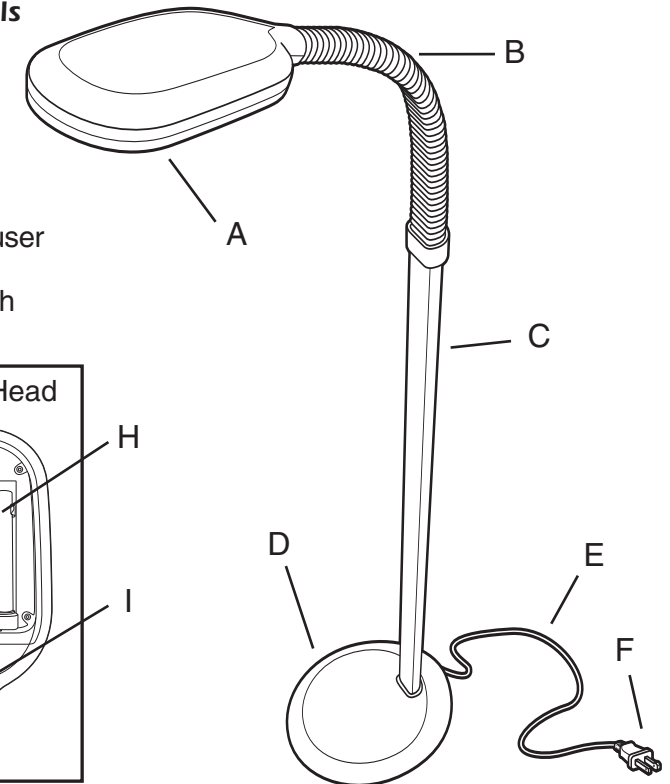
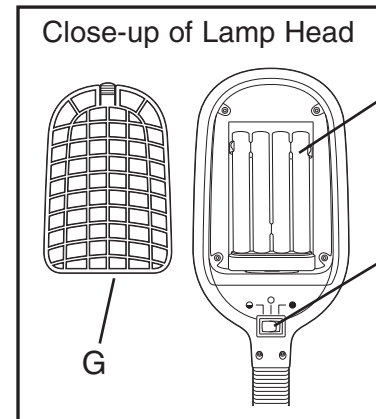
Nicholas Harmon
President and CEO

General Precautions

- Do NOT dismantle.
- Do NOT alter power cord.
- Do NOT use lubricating agent in assembly; please see troubleshooting section or call Client Relations if you are having difficulty assembling your lamp (1-800-786-6850).
- Unplug from electrical outlet for extended periods of non-use or during lightning storms to ensure protection of the electronics.
- Unplug from electrical outlet before cleaning or changing bulbs.
- For indoor use only.

Main Parts & Controls

- A. Lamp Head
- B. Gooseneck
- C. Shaft
- D. Lamp Base
- E. Power Cord
- F. Polarized Plug
- G. Parabolic Grid Diffuser
- H. Bulb
- I. High/Off/Low Switch



Important Safety Instructions

Thank you for purchasing the Verilux HappyEyes Floor Lamp. Please read the following safety information before using.

General Precautions

- This portable lamp has a polarized plug (one blade is wider than the other). As a safety feature, this plug will fit in a polarized outlet only one way. If the plug does not fit fully in the outlet, reverse the plug. If it still does not fit, contact a qualified electrician. Never use with an extension cord or adapter unless plug can be fully inserted. Do not attempt to defeat this safety feature.
- Before plugging in the Verilux HappyEyes Floor Lamp, check to make sure the voltage corresponds with the main voltage of your location (120 volts).
- Do not use the HappyEyes Floor Lamp outside or in wet locations such as bathrooms. It is intended for indoor, dry use only.
- Not for use with light dimmers, timers, or motion detectors.
- This product may cause interference with radios, cordless telephones, or devices that use a wireless remote control, such as televisions. If interference occurs, move

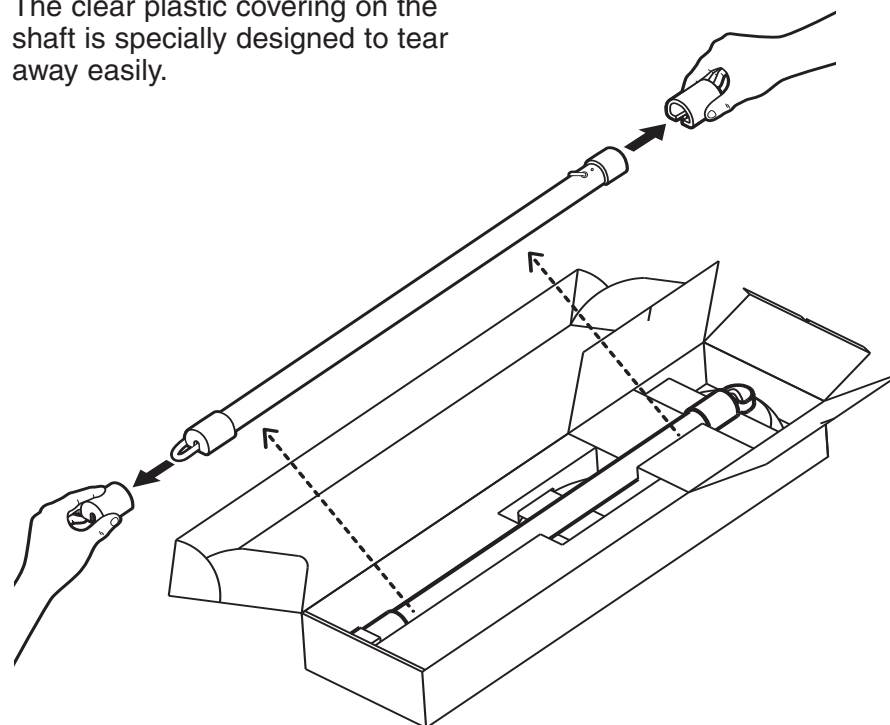
the product away from the device, plug the product or device into a different outlet, or move the lamp out of the line of sight of the remote control receiver. This lamp complies with part 18 of FCC.

- The light bulb may become loose during transit. To reinstall the light bulb, see the bulb replacement instructions.
- The HappyEyes Floor Lamp is an electrical device.

DO NOT USE NEAR WATER

Unpacking Your Lamp

1. Remove all pieces from box. Locate 2 screws and tightening tool.
2. Detach red plastic pieces and store them in the event you need to return the lamp.
3. **Important:** To avoid scratching the metal shaft, do not use a sharp object to cut the plastic covering. The clear plastic covering on the shaft is specially designed to tear away easily.



IMPORTANT NOTE:
Remove red plastic protective pieces prior to assembly.

Read Instructions Carefully Before Assembly:

1. Remove lamp from box and packaging. Remove red plastic protective pieces from lamp shaft. **NOTE:** Please save original packaging for repacking should you need to return the product.
2. Set lamp base on the floor and insert the lamp shaft over the base support part until the screw holes line up as shown in Fig.1. Insert the screw using the tightening tool and turn clockwise to tighten.
3. Attach the lamp head gooseneck to the shaft, tucking the wire into the shaft, until the screw holes line up as shown in Fig.1. Insert the screw using the tightening tool and turn clockwise to tighten. Should you have difficulty lining up the base or head screw holes, refer to the troubleshooting section of this manual.

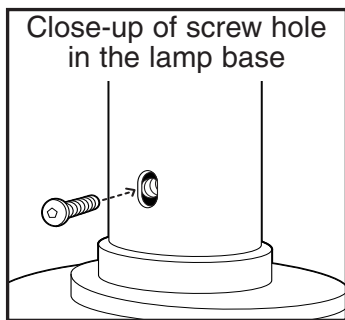
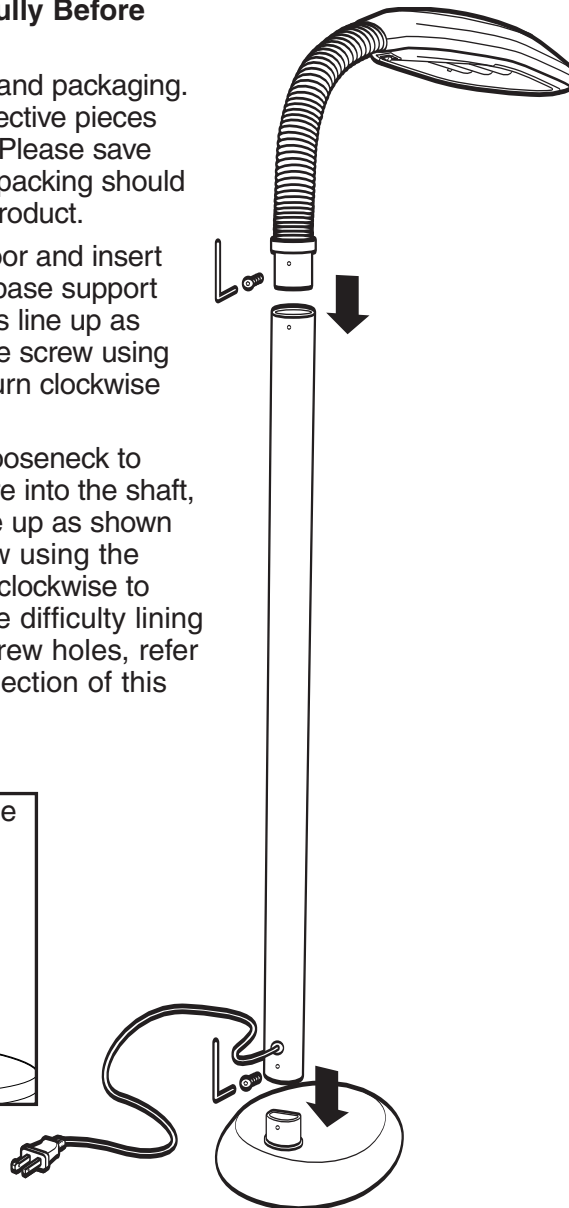
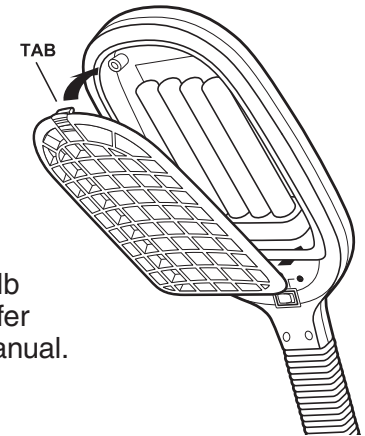


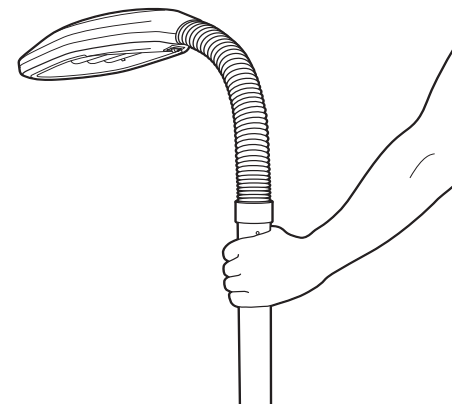
Fig. 1



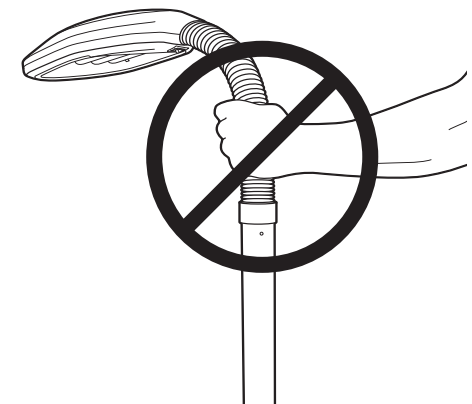
4. Attaching the Parabolic Grid Diffuser
 - Remove grid diffuser from protective plastic bag
 - Insert plastic pegs at bottom of grid diffuser into openings near bulb socket
 - Snap tab into place
5. Plug lamp into outlet and turn on; if bulb does not illuminate instantly, please refer to the troubleshooting section of this manual.



DO lift your lamp by the shaft



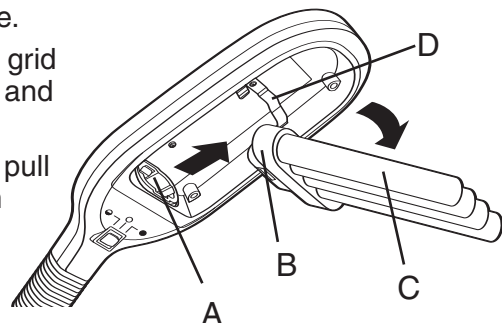
DO NOT lift the lamp by the gooseneck



Bulb Replacement Instructions

Removal

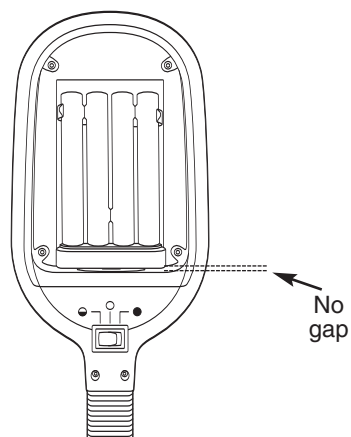
1. Unplug lamp from power source.
2. To access to the bulb, remove grid diffuser by depressing the tab and lifting it out. (See page 6)
3. Firmly hold bulb base (B) and pull bulb (C) from the socket (A) in an outward motion.



Installation

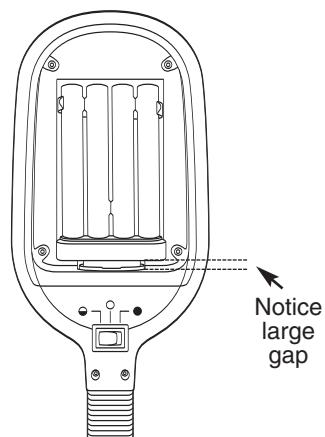
1. Unplug lamp from power source.
2. Firmly hold base (B) and push bulb (C) into the socket (A).
3. Be sure bulb is firmly seated in the socket (see below) and snapped into the metal bulb clip (D).
4. Replace grid diffuser.

Correctly seated bulb



7

Incorrectly seated bulb



8

Care & Cleaning

Your HappyEyes Floor Lamp is made from high quality materials that will last for many years with a minimum of care. You may want to periodically clean the lamp, using a mild non-abrasive cleaner and soft cloth. When cleaning, make sure you have turned off and unplugged the unit, and allowed sufficient time for the unit to cool.

DO NOT USE SOLVENTS OR CLEANERS CONTAINING ABRASIVES, OR AMMONIA BASED CLEANERS

All moisture should be properly wiped away and dried prior to restoring power.

Before Requesting Service on Your Verilux Lamp, Please Read the Following:

- Make sure all power connectors, cords, and plugs are inserted fully and securely.
- Be sure the bulb is securely seated into the socket. (See page 7)
- Unplug the lamp for a few minutes (this allows the electronic ballast inside the lamp to reset).
- Make sure there is power to the wall outlet or try another outlet.

PROBLEM	CHECK	SOLUTION
Screw holes do not line up	Is the wire completely tucked into the shaft and base?	Lamp base screw holes: First, insert lamp head in shaft to keep it from moving. Then, at the base, rock the lamp shaft back and forth while pushing down until you see the 2 base holes line up.
		Lamp head screw holes: Grasp the head near the switch with one hand and at the collar (where the Verilux logo is printed) with the other. Rock the lamp head back and forth while pushing down until you see the 2 head screw holes line up.
Light won't come on	Has the plug come loose?	Insert plug securely into wall outlet.
	Is the bulb old?	Check the bulb for blackening/darkening at the ends (an indicator of bulb life) and replace bulb.
	Is the bulb connected securely to the socket?	Be sure the bulb is securely seated into the socket, repeat the bulb installation process. (See page 7)
Blackening/darkening at ends of bulb	Is the bulb new?	Sometimes when a new bulb is turned on for the first time the ends will darken, but this will fade after a few minutes.
	Is the bulb old?	With older bulbs darkening of the ends indicates end of bulb life. (This doesn't affect operation except to reduce the amount of light available since the phosphor in that area has become inactive). Bulb replacement is recommended.
Light flickers	Has the plug come loose?	Insert plug securely into wall outlet.
	Is the bulb connected securely to the socket?	Be sure the bulb is securely seated into the socket, repeat the bulb installation process. (See page 7)

Three-Year Limited Warranty

This limited warranty is provided by:
Verilux, Inc., Research Park, 9 Viaduct Road, Stamford, CT 06907

Verilux warrants this product to be free of defects in materials and workmanship for a period of three years from the invoice date of original retail purchase. During the limited warranty period, Verilux will, at its option, repair or replace defective parts of this product, at no charge to you, subject to the limitation. This warranty does not include any postage, freight, transportation, insurance, or delivery fee. This limited warranty does not cover damage, defect, or failure caused by or resulting from accidents, external destruction, alteration, modification, abuse, misuse, or misapplication.

Notice: When returning a unit, be aware that damage during shipping is the responsibility of the purchaser and will void any warranty claim. We recommend that you insure the shipment with your post office or other shipping service when returning this unit or any parts. Be sure to return product in original packaging.

Due to ongoing improvements, actual product may have slight variations from the product described in this manual.

Free Manuals Download Website

<http://myh66.com>

<http://usermanuals.us>

<http://www.somanuals.com>

<http://www.4manuals.cc>

<http://www.manual-lib.com>

<http://www.404manual.com>

<http://www.luxmanual.com>

<http://aubethermostatmanual.com>

Golf course search by state

<http://golfingnear.com>

Email search by domain

<http://emailbydomain.com>

Auto manuals search

<http://auto.somanuals.com>

TV manuals search

<http://tv.somanuals.com>