

Planet Light[®]
Energy Saving Natural Spectrum[®]
Desk Lamp

PL03



Dear Customer,

Thank you for purchasing the Planet Light® Energy Saving Natural Spectrum® Desk Lamp. You have received a quality product, backed by a one-year limited warranty. As a Verilux customer, your satisfaction means everything to us. We look forward to serving you now and in the future.

Many other healthy lighting products are available through our catalog and online. Visit us on the web at www.Verilux.com to request a free catalog and learn more about all our quality Verilux products.

Have a Bright Day!

A handwritten signature in black ink that reads "Nicholas Harmon". The signature is written in a cursive, flowing style.

Nicholas Harmon
President, Verilux, Inc.

IMPORTANT SAFETY INSTRUCTIONS

SAVE THESE INSTRUCTIONS

Thank you for purchasing the Planet Light® Energy Saving Natural Spectrum® Desk Lamp. Please read the following safety information before using. To reduce the risk of fire, electrical shock, or injury to persons:

- Do NOT dismantle.
- Do NOT alter power cord.
- Turn off/unplug and allow to cool before replacing bulb or cleaning.
- For indoor use only.
- The lamp is an electrical device. DO NOT USE NEAR WATER.

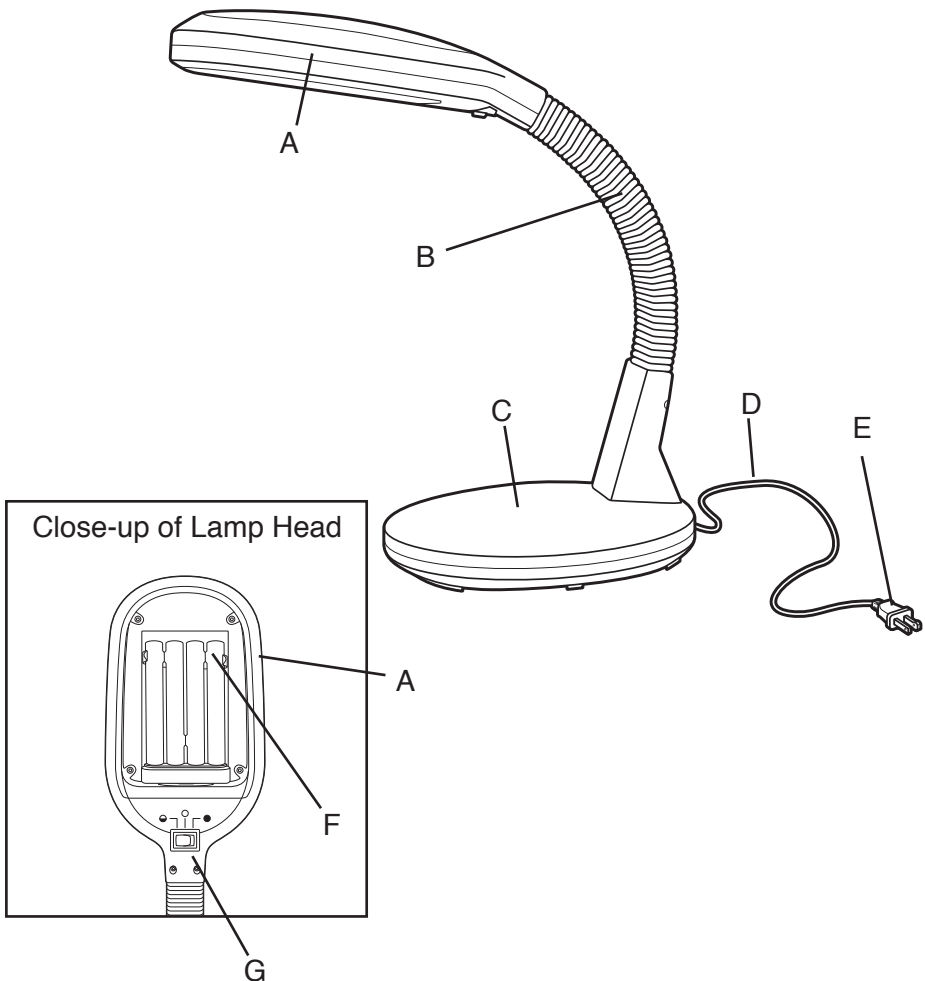
GENERAL PRECAUTIONS

- Before plugging in the lamp, check to make sure the voltage corresponds with the main voltage of your location (120 volts).
- Do not use the lamp outside or in wet locations such as bathrooms. It is intended for indoor, dry use only.
- Not for use with light dimmers, timers, motion detectors or extension cords.
- This product may cause interference with radios, cordless telephones, or devices that use a wireless remote control such as televisions. If interference occurs, move the product away from the device, plug the product or device into a different outlet or move the lamp out of the line of sight of the remote control receiver.
- Do NOT use lubricating agent in assembly; please see troubleshooting section if you are having difficulty assembling your lamp.
- Unplug from electrical outlet for extended periods of non-use or during lightning storms to ensure protection of the electronics.

GETTING STARTED

Main Parts & Controls

- A. Lamp Head
- B. Gooseneck
- C. Lamp Base
- D. Power Cord
- E. Polarized Plug
- F. Bulb
- G. Switch



BULB INSTALLATION

To prevent damage during shipping, the Verilux bulb is surrounded by protective padding. Carefully remove and dispose of the protective padding. Check to ensure that the bulb is fully seated and has not come loose from the socket during shipping. There should be no gap between the bulb and socket.

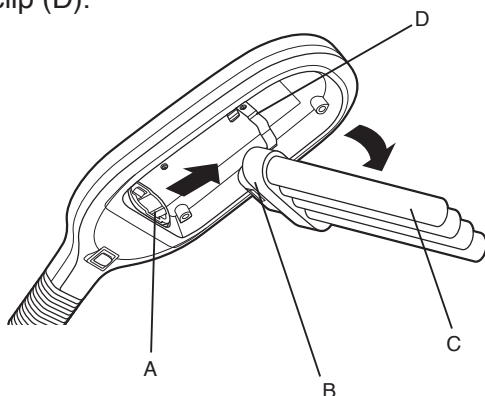
Before bulb installation, please review all instructions.

Installation

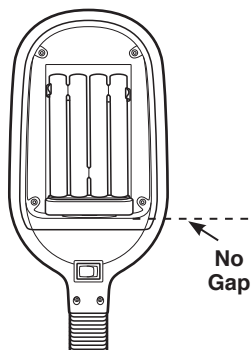
1. Unplug lamp from power source.
2. Firmly hold base (B) and push bulb (C) into the socket (A).
3. Be sure bulb is firmly seated in the socket (see below) and snapped into the metal bulb clip (D).

Removal

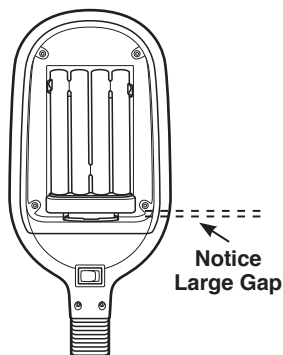
1. Unplug lamp from power source.
2. Firmly hold bulb base (B) and pull bulb (C) from the socket (A) in an outward motion.



Correctly seated bulb



Incorrectly seated bulb



TROUBLESHOOTING

- Make sure all power connectors, cords, and plugs are inserted fully and securely.
- Make sure there is power to the wall outlet or try another outlet – not connected to a dimmer.

| PROBLEM | CHECK | SOLUTION |
|--------------------------------------|---|---|
| Light won't come on | Has the plug come loose? | Insert plug securely into wall outlet. |
| | Is the bulb old? | Check the bulb for blackening/darkening at the ends (an indicator of bulb life) and replace bulb. |
| | Is the bulb connected securely to the socket? | Be sure the bulb is securely seated into the socket, repeat the bulb installation process. |
| Blackening/darkening at ends of bulb | Is the bulb new? | Sometimes when a new bulb is turned on for the first time the tube will darken, but this will fade after a few minutes. |
| | Is the bulb old? | With older bulbs darkening of the tube indicates end of bulb life. (This doesn't affect operation except to reduce the amount of light available since the phosphor in that area has become inactive). Bulb replacement is recommended. |
| Light flickers | Has the plug come loose? | Insert plug securely into wall outlet. |
| | Is the bulb connected securely to the socket? | Be sure the bulb is securely seated into the socket, repeat the bulb installation process. CAUTION: DISCONNECT LAMP FROM OUTLET PRIOR TO REPEATING THE BULB INSTALLATION PROCESS. |
| | Is the lamp connected to a dimmer switch? | Connect lamp plug only to wall outlet without a dimmer switch. |

CARE & CLEANING

Your Planet Light® lamp is made from high quality materials that will last for many years with a minimum of care.

Clean only with a soft dry cloth – **DO NOT USE SOLVENTS OR CLEANERS CONTAINING ABRASIVES OR AMMONIA**



WARNING: To prevent risk of shock or personal injury when cleaning lamp, make sure you have turned off and unplugged the lamp, and allow sufficient time for the bulb to cool.

One Year Limited Warranty

ATTENTION! ONCE OPENED, PLEASE **DO NOT** RETURN THIS PRODUCT TO THE STORE WHERE IT WAS PURCHASED FOR REPAIR OR REPLACEMENT!

Many questions may be answered by visiting www.verilux.com, or you may call our Customer Service Department at 802-496-3101 during normal business hours.

This limited warranty is provided by: Verilux[®], Inc., 340 Mad River Park, Waitsfield, VT 05673

Verilux warrants this product to be free from defects in material and workmanship for a period of one year from the date of the original retail purchase from Verilux or an authorized Verilux distributor. **Proof of purchase is required for all warranty claims.** During the limited warranty period, Verilux, Inc. will, at its option, repair or replace defective parts of this product, at no charge to the customer, subject to the following limitations: This limited warranty does not include any postage, freight, handling, insurance or delivery fees. This warranty does not cover damage, defect or failure caused by or resulting from accident, external destruction, alteration, modification, abuse, misuse or misapplication of this product.

This warranty does not cover damage to the product resulting from return shipping or handling. The use of shipping insurance is recommended to help protect your product.

Return Authorization is required for all returns. To obtain a Return Authorization, please contact the Verilux Customer Service Department at 802-496-3101.

If, during the first year of ownership, this product fails to operate properly, it should be returned as specified at www.verilux.com/warrantyreplacement or as instructed by a Verilux customer service representative at 802-496-3101.

Note: *Verilux recommends using a quality surge suppressor on all electronics equipment. Voltage variations and spikes can damage electronic components in any system. A quality suppressor can eliminate the vast majority of failures attributed to surges and may be purchased at electronics stores.*

Due to ongoing improvements, actual product may have slight variations from the product described in this manual.



Free Manuals Download Website

<http://myh66.com>

<http://usermanuals.us>

<http://www.somanuals.com>

<http://www.4manuals.cc>

<http://www.manual-lib.com>

<http://www.404manual.com>

<http://www.luxmanual.com>

<http://aubethermostatmanual.com>

Golf course search by state

<http://golfingnear.com>

Email search by domain

<http://emailbydomain.com>

Auto manuals search

<http://auto.somanuals.com>

TV manuals search

<http://tv.somanuals.com>