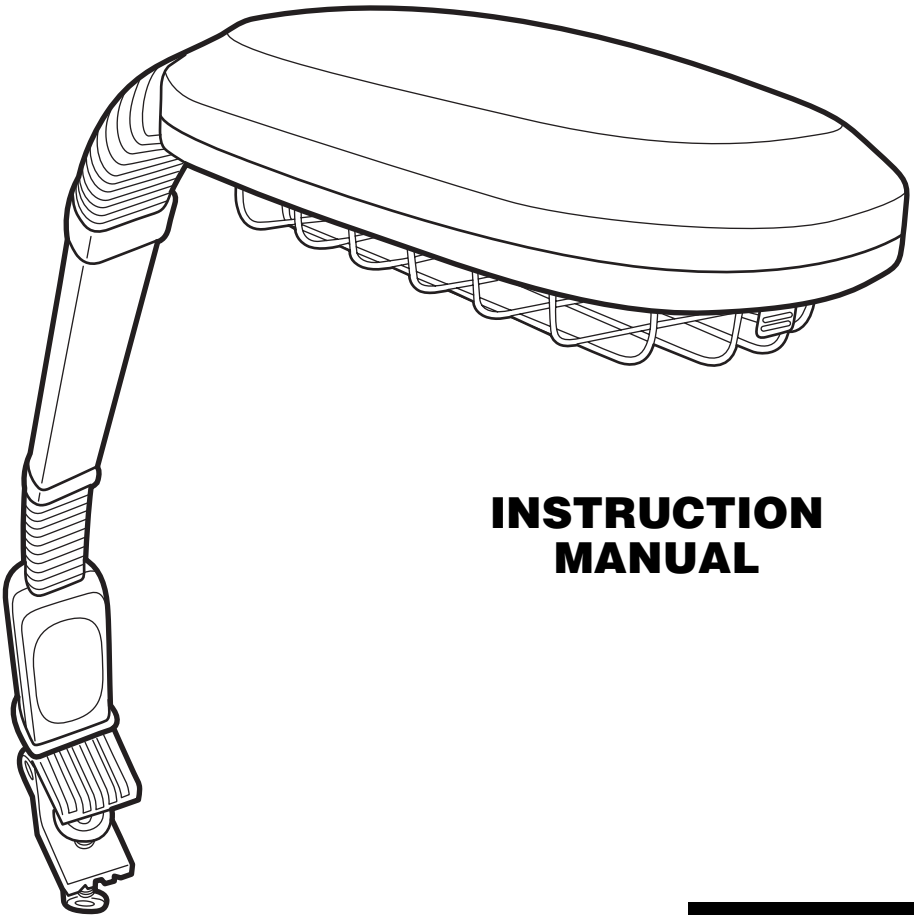


verilux[®]
LIFE IN A BETTER LIGHT™

Natural Spectrum[®] ShopLight™



INSTRUCTION MANUAL

VC01HH1



Dear Customer,

Thank you for purchasing the Verilux® Natural Spectrum® ShopLight™. You have received a quality product, backed by a three-year limited warranty. As a Verilux® customer, your satisfaction means everything to us. We look forward to serving you now and in the future.

Many other healthy lighting products are available through our catalog and online. To request a copy of our catalog, call our toll-free number 1-888-544-4865. You may also visit us on the web at www.Verilux.com to learn more about Verilux® products.

Have a Bright Day!

A handwritten signature in black ink that reads "Nicholas Harmon". The signature is written in a cursive, flowing style.

Nicholas Harmon
President and CEO

Important Safety Instructions

SAVE THESE INSTRUCTIONS

Thank you for purchasing the Verilux® Natural Spectrum® ShopLight™.
PLEASE READ THE FOLLOWING SAFETY INFORMATION BEFORE USING.

To reduce the risk of fire, electrical shock, or injury to persons:

- Do NOT dismantle.
- Do NOT alter power cord.
- Turn off/unplug and allow to cool before replacing bulb or cleaning.
- For indoor use only.
- This portable lamp has a polarized plug (one blade is wider than the other). As a safety feature, this plug will fit in a polarized outlet only one way. If the plug does not fit fully in the outlet, reverse the plug. If it still does not fit, contact a qualified electrician. Never use with an extension cord or adapter unless plug can be fully inserted. Do not attempt to defeat this safety feature.
- The Verilux® Natural Spectrum® ShopLight™ is an electrical device.

DO NOT USE NEAR WATER

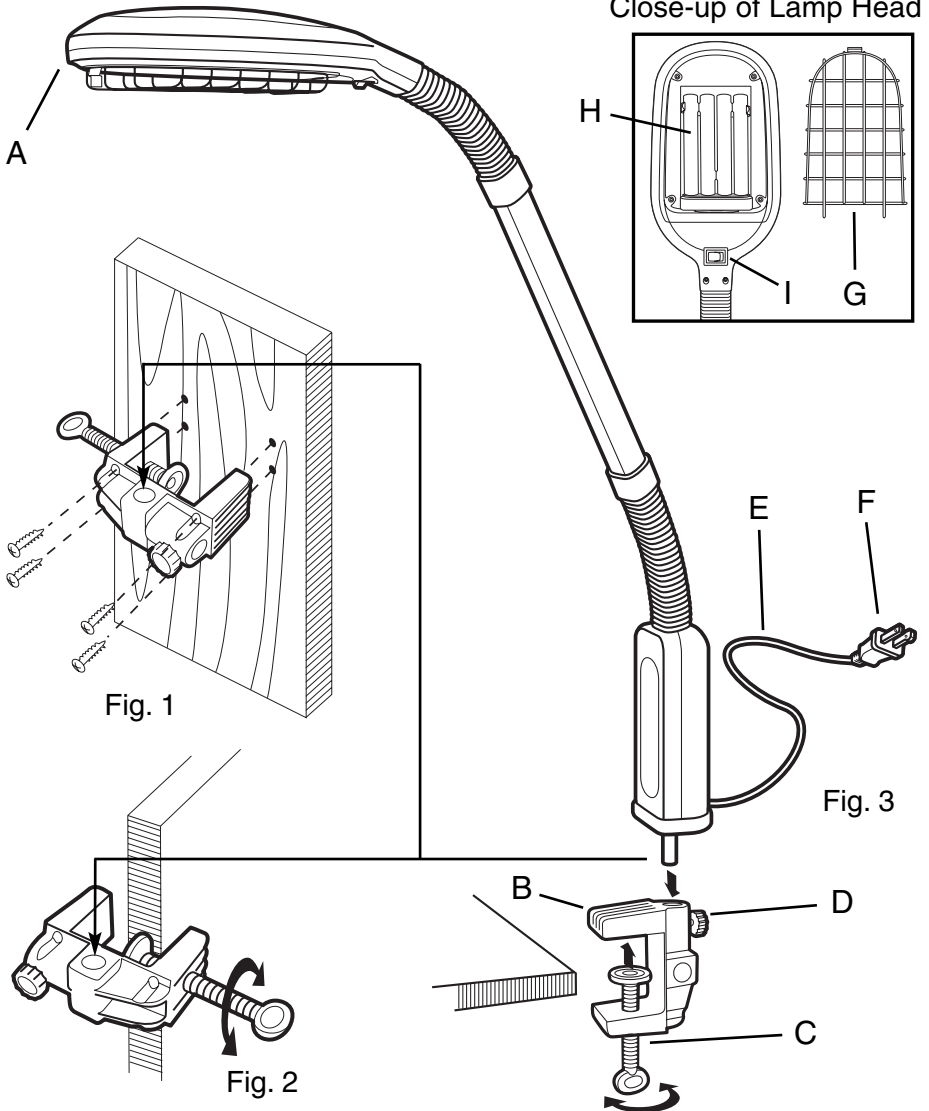
General Precautions

- Before plugging in the Natural Spectrum® ShopLight™, check to make sure the voltage corresponds with the main voltage of your location (120 volts).
- Do not use the Natural Spectrum® ShopLight™ outside or in wet locations such as bathrooms. It is intended for indoor, dry use only.
- Not for use with light dimmers, timers, motion detectors or extension cords.
- This product may cause interference with radios, cordless telephones, or devices that use a wireless remote control, such as televisions. If interference occurs, move the product away from the device, plug the product or device into a different outlet, or move the lamp out of the line of sight of the remote control receiver. This lamp complies with part 18 of FCC.
- The light bulb may become loose during transit. To reinstall the light bulb, see the bulb installation instructions on page 5.
- Do NOT use lubricating agent in assembly; please see troubleshooting section or call Customer Service if you are having difficulty assembling your lamp (1-888-544-4865).
- Unplug from electrical outlet for extended periods of non-use or during lightning storms to ensure protection of the electronics.

Parts Diagram

Main Parts & Controls

- A. Lamp Head
- B. Clamp Assembly
- C. Clamp Screw
- D. Tightening Knob
- E. Power Cord
- F. Polarized Plug
- G. Metal Wire Guard
- H. Bulb
- I. On/Off Switch



Assembly Instructions

READ INSTRUCTIONS CAREFULLY BEFORE SET-UP

1. Remove lamp from box and packaging. Note: Please save original packaging for repacking should you need to return the product.
2. There are three mounting options:
 - Wall Mount:** Using #6 screws (not included) secure the clamp to the wall and then insert the pin into the hole of the clamp. (Fig. 1)
 - Horizontal & Vertical Surface Mount:** Remove clamp and turn the clamp screw counterclockwise until it is open slightly wider than the work surface to which you are attaching it. Clamp fits surfaces up to 1.75" thick. Surface must be a minimum of 1.5" deep for clamp to hold securely. (Figs. 2 & 3)
3. Slide the clamp onto work surface, and turn plastic clamp screw clockwise to tighten securely.
4. Place lamp shaft into clamp assembly and turn tightening knob clockwise to secure.
5. Adjust upper and lower goosenecks as needed to illuminate work surface.
6. Plug lamp into outlet and turn on; if bulb does not illuminate instantly, please refer to the troubleshooting section of this manual.

Care & Cleaning

Your Natural Spectrum® ShopLight™ is made from high quality materials that will last for many years with a minimum of care. You may want to periodically clean the lamp, using a mild non-abrasive cleaner and soft cloth. When cleaning, make sure you have turned off and unplugged the unit, and allowed sufficient time for the unit to cool.

DO NOT USE SOLVENTS OR CLEANERS CONTAINING ABRASIVES, OR AMMONIA BASED CLEANERS

All moisture should be properly wiped away and dried prior to restoring power.

Bulb Removal or Installation

Removal

1. Unplug lamp from power source.
2. Remove metal wire guard by depressing the tab and lifting it out. (See Fig. 1)
3. Firmly hold bulb base (B) and pull bulb (C) from the socket (A) in an outward motion. (See Fig. 2)

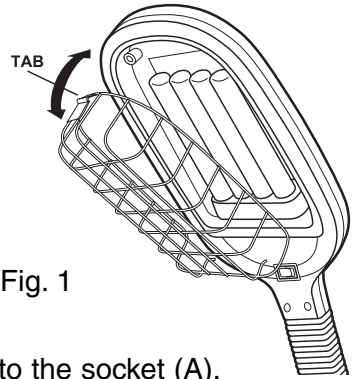


Fig. 1

Installation

1. Unplug lamp from power source.
2. Firmly hold base (B) and push bulb (C) into the socket (A). (See Fig. 2)
3. Be sure bulb is firmly seated in the socket (See Fig. 3 below) and snapped into the metal bulb clip (D).
4. Replace wire guard.
 - Insert metal pegs at bottom of the wire guard into openings near the bulb socket
 - Snap tab into place as shown (Fig. 1)

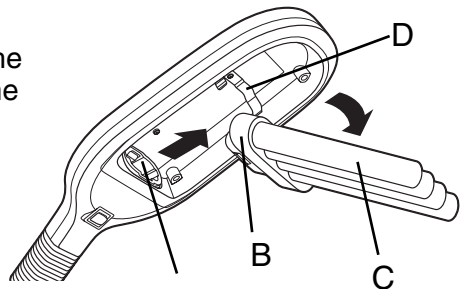


Fig. 2

Correctly seated bulb

Incorrectly seated bulb

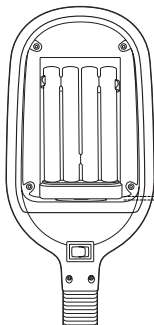
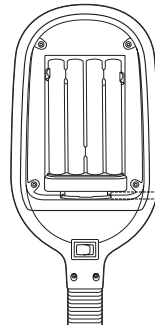


Fig. 3

No gap



Notice large gap

Troubleshooting

Before Requesting Service on Your Verilux® Natural Spectrum® ShopLight™, Please Read the Following:

- Make sure all power connectors, cords, and plugs are inserted fully and securely.
- Be sure the bulb is securely seated into the socket. (See page 5)
- Make sure there is power to the wall outlet or try another outlet.

PROBLEM	CHECK	SOLUTION
Light won't come on	Has the plug come loose?	Insert plug securely into wall outlet.
	Is the bulb old?	Check the bulb for blackening/darkening at the ends (an indicator of bulb life) and replace bulb.
	Is the bulb connected securely to the socket?	Be sure the bulb is securely seated into the socket, repeat the bulb installation process.
Blackening/darkening at ends of bulb	Is the bulb new?	Sometimes when a new bulb is turned on for the first time the tube will darken, but this will fade after a few minutes.
	Is the bulb old?	With older bulbs darkening of the tube indicates end of bulb life. (This doesn't affect operation except to reduce the amount of light available since the phosphor in that area has become inactive). Bulb replacement is recommended.
Light flickers	Has the plug come loose?	Insert plug securely into wall outlet.
	Is the bulb connected securely to the socket?	Be sure the bulb is securely seated into the socket, repeat the bulb installation process.
	Is the lamp connected to a dimmer switch?	Connect lamp plug only to wall outlet without a dimmer switch.

Three-Year Limited Warranty

ATTENTION – ONCE OPENED, PLEASE *DO NOT* RETURN THIS PRODUCT TO THE STORE WHERE IT WAS PURCHASED FOR REPAIR OR REPLACEMENT!

Many questions may be answered by visiting www.Verilux.com, or you may call our customer service department at 1-888-544-4865

This limited warranty is provided by:

Verilux, Inc., 340 Mad River Park, Waitsfield, VT 05673

Verilux® warrants this product to be free from defects in material and workmanship for a period of three years from the date of the original retail purchase. During the limited warranty period, Verilux, Inc. will, at its option, repair or replace defective parts of this product, at no charge to the customer, subject to the following limitations. This limited warranty does not include any postage, freight, insurance or delivery fees. This warranty does not cover damage, defect or failure caused by or resulting from accident, external destruction, alteration, modification, abuse, misuse, or misapplication of this product.

If, during the first Three years of ownership, this product fails to operate properly, it should be returned as specified below.

Please pack the defective product in its original protective packing and box, with a copy of your sales receipt, along with \$6.95 (check or money order to cover shipping and handling), and send to:

**For U.S. Postal Service Only:
Verilux Warranty Service Center
c/o WTB**

P.O. Box 119, West Redding, CT 06896

**For Fed Ex & UPS Only:
Verilux Warranty Service Center
c/o WTB**

32 Henry St., Bldg 17A, Bethel, CT 06801

Please allow 4–6 weeks before you receive the repaired or replaced product.

ATTENTION – When returning a product, be aware that damage during shipping is the responsibility of the purchaser and will void any warranty claim. We recommend that you insure the shipment with your post office or other shipping service when returning this product or any parts. Be sure to return product in original packaging.

Note: Verilux® recommends using a quality surge suppressor on all electronics equipment. Voltage variations and spikes can damage electronic components in any system. A quality suppressor can eliminate the vast majority of failures attributed to surges and may be purchased at electronics stores.

Due to ongoing improvements, actual product may have slight variations from the product described in this manual.

verilux®
LIFE IN A BETTER LIGHT®

340 Mad River Park, Waitsfield, VT 05673

Free Manuals Download Website

<http://myh66.com>

<http://usermanuals.us>

<http://www.somanuals.com>

<http://www.4manuals.cc>

<http://www.manual-lib.com>

<http://www.404manual.com>

<http://www.luxmanual.com>

<http://aubethermostatmanual.com>

Golf course search by state

<http://golfingnear.com>

Email search by domain

<http://emailbydomain.com>

Auto manuals search

<http://auto.somanuals.com>

TV manuals search

<http://tv.somanuals.com>