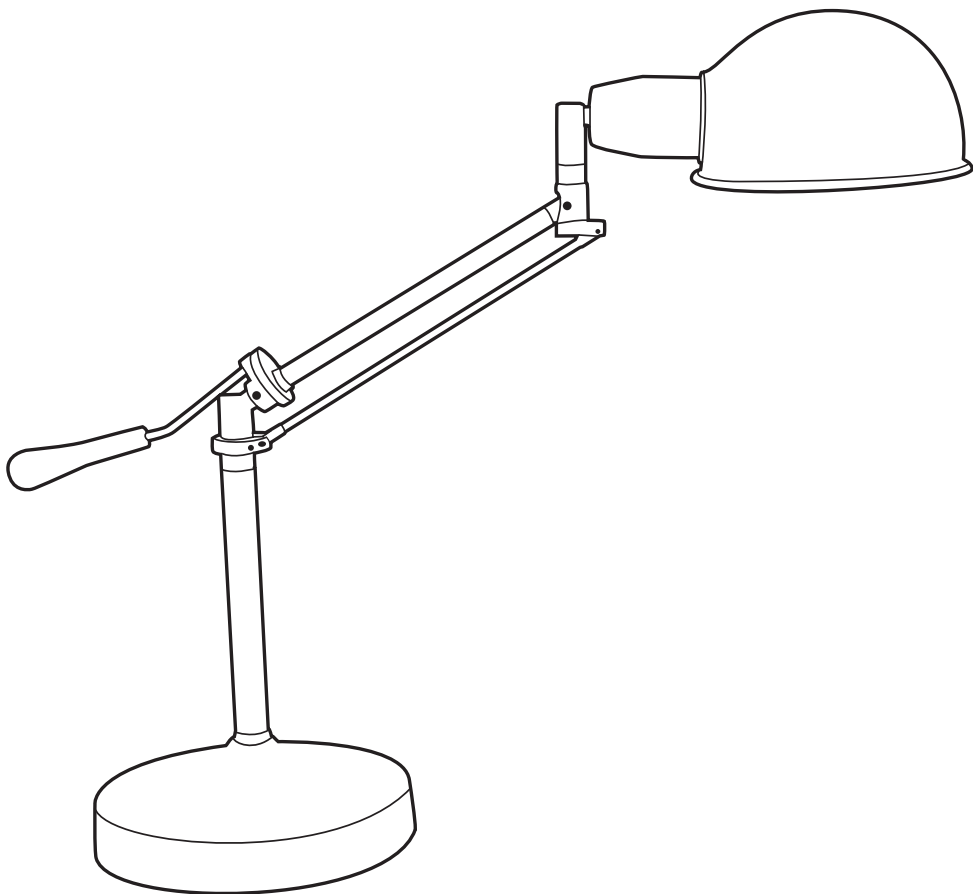


**verilux**<sup>®</sup>  
LIFE IN A BETTER LIGHT<sup>®</sup>



# Brookfield<sup>™</sup> | Deluxe

Natural Spectrum<sup>®</sup> Desk & Table Lamp

**VD08**



Dear Customer,

Thank you for purchasing the Verilux® Brookfield™ Deluxe Natural Spectrum® Desk and Table Lamp. You have received an innovative and quality manufactured product, backed by a one-year limited warranty. As a Verilux® customer, your satisfaction means everything to us. We look forward to serving you now and in the future.

Many other healthy lighting products are available through our catalog and online. Visit us on the web at [www.Verilux.com](http://www.Verilux.com) to request a free catalog and learn more about all our quality Verilux® products, or call our toll-free number 1-888-544-4865.

Have a Bright Day!

A handwritten signature in black ink that reads "Nicholas Harmon". The signature is written in a cursive, flowing style.

Nicholas Harmon  
President and CEO

## IMPORTANT SAFETY INSTRUCTIONS

### CAUTION:

- TO REDUCE THE RISK OF ELECTRIC SHOCK, DO NOT DISMANTLE. THERE ARE NO SERVICEABLE PARTS INSIDE.
- TO REDUCE THE RISK OF FIRE OR ELECTRIC SHOCK, DO NOT EXPOSE THIS UNIT TO RAIN OR MOISTURE.

### WARNING: TO REDUCE THE RISK OF FIRE, ELECTRIC SHOCK OR PERSONAL INJURY:

- Turn off/unplug and allow to cool before replacing bulb or cleaning.
- Do not operate the lamp in close proximity to flammable or combustible vapors, such as aerosol (spray) products or where oxygen is being administered.
- Use only the type of bulb and maximum wattage indicated by the manufacturer.
- Never cover the lamp when it is in operation.
- **Read these instructions** – before using this lamp.
- **Keep these instructions** – for future reference.
- Do not use this lamp in damp/humid or wet locations.
- For indoor use only.
- Clean only with dry cloth.
- Do not defeat the safety purpose of the polarized plug. A polarized plug has two blades with one wider than the other. If the provided plug does not fit in your outlet, consult an electrician for replacement of the obsolete outlet.
- Protect the power cord from being walked on or pinched particularly at plugs, and the point where it exits from the lamp.
- Unplug this lamp during lightning storms or when unused for long periods of time.
- If the lamp has been damaged in any way, such as power-supply cord or plug is damaged, liquid has been spilled or objects have fallen onto the lamp, the lamp has been exposed to rain or moisture, does not operate normally, or has been dropped, it should not be operated. There are no user serviceable parts within this lamp.

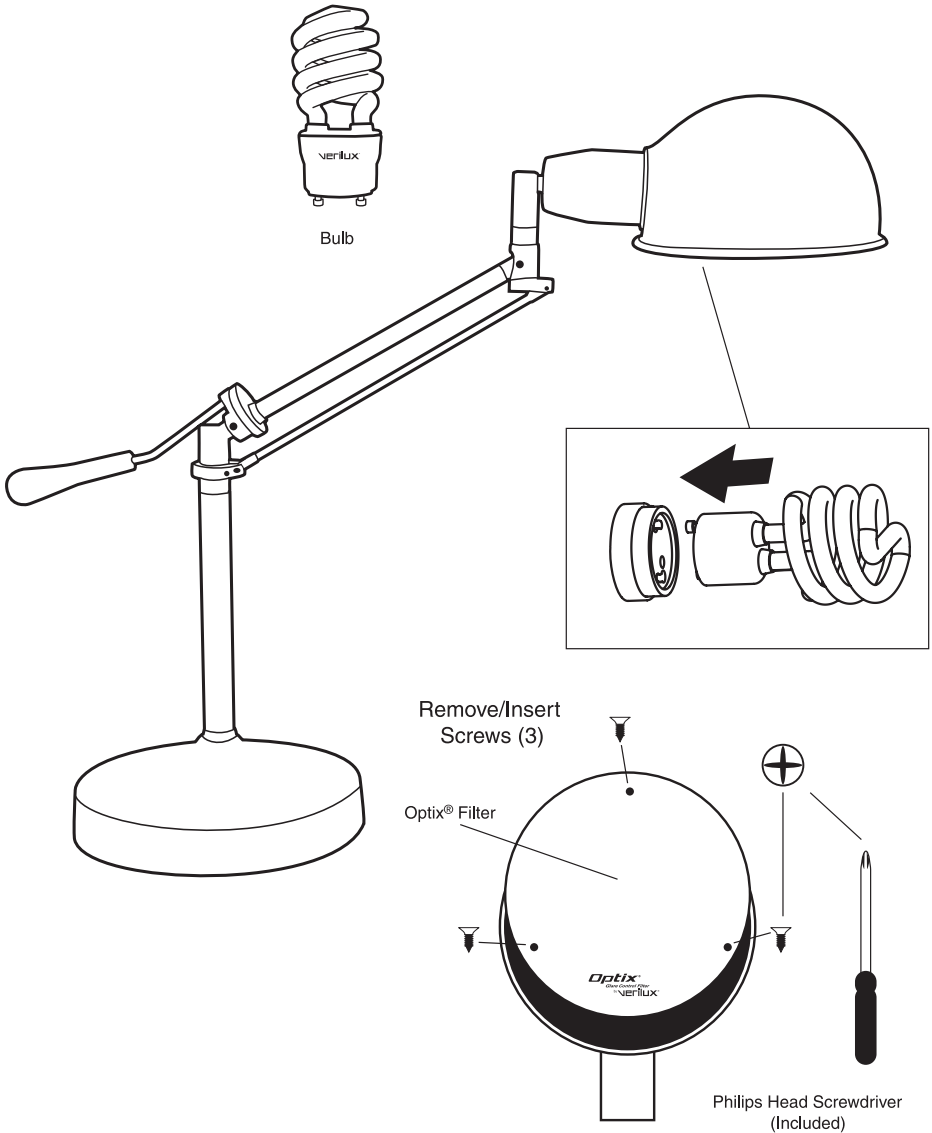
### SAVE THESE INSTRUCTIONS

## ASSEMBLY INSTRUCTIONS

Before assembling, please review all instructions.

1. Carefully open box to avoid damaging the lamp when using a sharp knife.
2. Remove lamp (fully assembled) and set on table.
3. Using a Philips head screwdriver (included), carefully unscrew the three screws holding the Optix® Glare Control Filter in place. Remove filter and save for later.
4. Carefully insert the GU-24 Natural Spectrum® light bulb (included) into lamp by firmly holding bulb base and pushing down and rotating slightly in a clockwise direction to seat properly. *Note: Make sure bulb is fully inserted into the socket. The bottom of the bulb base should touch the plastic housing of the lamp.*
5. Place Optix® filter on lip of inner shade cup, align holes and tighten first Philips head screw. **DO NOT OVERTIGHTEN.** Continue to insert and tighten the two remaining screws.
6. Plug lamp into an appropriate outlet and turn on the switch.
7. Adjust height for optimum illumination.
8. Do not use with an extension cord or on a circuit with a dimmer switch.
9. Save the packaging in case you need to send the lamp to Verilux for servicing.

# ASSEMBLY INSTRUCTIONS



## GENERAL PRECAUTIONS

- Do not use with power supply voltage other than 120V AC
- Avoid placing the lamp in areas that are dusty, humid/moist, lack ventilation, or are subject to constant vibration.
- Not for use with light dimmers, timers, motion detectors, voltage transformers, or extension cords.
- Do NOT use lubricating agent in bulb assembly.
- The light bulb may become loose during transit. To reinstall the light bulb, see the bulb installation instructions on page 3.
- Close supervision is recommended when this lamp is used by or near children, or others who may not understand the need for these precautions. Do not leave the lamp unattended during use.

This lamp has been tested and found to comply with Part 18 of the FCC Rules. These limits are designed to provide reasonable protection against interference in a residential installation. This lamp generates, uses, and can radiate radio frequency energy and, if not used in accordance with the instructions, may cause interference to radio communications. If interference occurs try to correct the interference by one or more of the following measures:

- Reorient or relocate the receiving antenna.
- Increase the separation between the lamp and receiver.
- Connect the lamp into an outlet on a circuit different from that to which the receiver is connected.
- Move the lamp out of the line of sight of the remote control receiver.
- Consult the dealer or an experienced radio/TV technician for help.

## TROUBLESHOOTING

Before requesting service on your Verilux® lamp please read the following:

- Make sure all power connectors, cords, and plugs are inserted fully and securely.
- Make sure there is power to the wall outlet or try another outlet – not connected to a dimmer.

PROBLEM	CHECK	SOLUTION
Light won't come on	Has the plug come loose?	Insert plug securely into wall outlet.
	Is the bulb old?	Check the bulb for blackening/darkening at the ends (an indicator of bulb life) and replace bulb. See <a href="http://www.Verilux.com">www.Verilux.com</a> .
	Is the bulb connected securely to the socket?	Be sure the bulb is securely seated into the socket, repeat the bulb installation process.
Blackening/darkening at ends of bulb	Is the bulb new?	Sometimes when a new bulb is turned on for the first time the tube will darken, but this will fade after a few minutes.
	Is the bulb old?	With older bulbs darkening of the tube indicates end of bulb life. (This doesn't affect operation except to reduce the amount of light available since the phosphor in that area has become inactive). Bulb replacement is recommended.
Light flickers	Has the plug come loose?	Insert plug securely into wall outlet.
	Is the bulb connected securely to the socket?	Be sure the bulb is securely seated into the socket, repeat the bulb installation process.
	Is the lamp connected to a dimmer switch?	Connect lamp plug only to wall outlet without a dimmer switch.

## CARE & CLEANING

Your Verilux® lamp is made from high quality materials that will last for many years with a minimum of care.

Clean only with a soft dry cloth – **DO NOT USE SOLVENTS OR CLEANERS CONTAINING ABRASIVES OR AMMONIA**



**WARNING:** To prevent risk of shock or personal injury when cleaning lamp, make sure you have turned off and unplugged the lamp, and allow sufficient time for the bulb to cool.

## One-Year Limited Warranty

**ATTENTION!** ONCE OPENED, PLEASE **DO NOT** RETURN THIS PRODUCT TO THE STORE WHERE IT WAS PURCHASED FOR REPAIR OR REPLACEMENT!

Many questions may be answered by visiting [www.Verilux.com](http://www.Verilux.com), or you may call our customer service department at 1-888-544-4865.

This limited warranty is provided by:

Verilux, Inc., 340 Mad River Park, Suite 1, Waitsfield, VT 05673

Verilux® warrants this product to be free from defects in material and workmanship for a period of one year from the date of the original retail purchase. During the limited warranty period, Verilux, Inc. will, at its option, repair or replace defective parts of this product, at no charge to the customer, subject to the following limitations. This limited warranty does not include any postage, freight, insurance or delivery fees. This warranty does not cover damage, defect or failure caused by or resulting from accident, external destruction, alteration, modification, abuse, misuse, or misapplication of this product.

If, during the first one year of ownership, this product fails to operate properly, it should be returned as specified below:

Please pack the defective product in its original protective packing and box, with a copy of your sales receipt, along with \$6.95 (check or money order to cover shipping and handling), and send to:

**For U.S. Postal Service Only:**

**Verilux Warranty**

**Service Center, c/o WTB**

P.O. Box 119, West Redding, CT 06896

**For Fed Ex & UPS Only:**

**Verilux Warranty**

**Service Center, c/o WTB**

32 Henry Street, Bldg 17A, Bethel, CT 06801

Please allow 4-6 weeks before you receive the repaired or replaced product.

---

**ATTENTION:** When returning a product, be aware that damage during shipping is the responsibility of the purchaser and will void any warranty claim. We recommend that you insure the shipment by shipper when returning this product or any parts. Be sure to return product in original packaging.

**Note:** Verilux® recommends using a quality surge suppressor on all electronics equipment. Voltage variations and spikes can damage electronic components in any system. A quality suppressor can eliminate the vast majority of failures attributed to surges and may be purchased at electronics stores.

Due to ongoing improvements, actual product may have slight variations from the product described in this manual.

**Please visit our web site at: [www.Verilux.com](http://www.Verilux.com)**



340 Mad River Park, Suite 1, Waitsfield, VT 05673



## Free Manuals Download Website

<http://myh66.com>

<http://usermanuals.us>

<http://www.somanuals.com>

<http://www.4manuals.cc>

<http://www.manual-lib.com>

<http://www.404manual.com>

<http://www.luxmanual.com>

<http://aubethermostatmanual.com>

Golf course search by state

<http://golfingnear.com>

Email search by domain

<http://emailbydomain.com>

Auto manuals search

<http://auto.somanuals.com>

TV manuals search

<http://tv.somanuals.com>