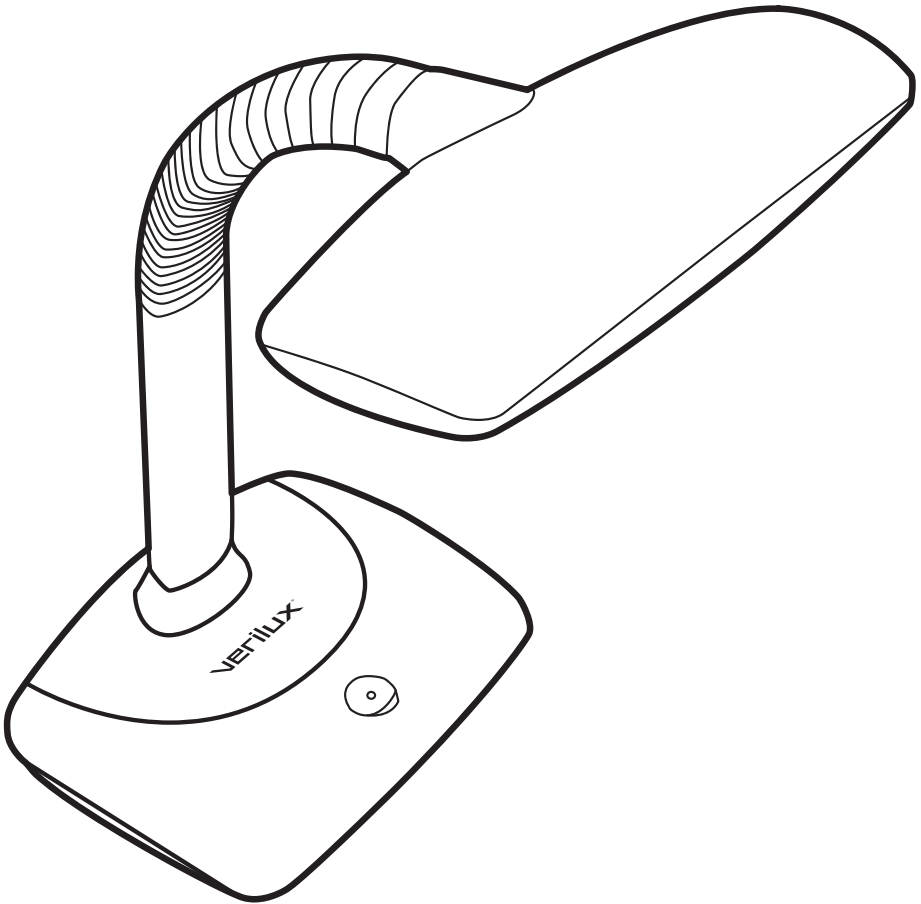


**verilux**<sup>®</sup>  
The Healthy Lighting Company<sup>®</sup> Est. 1956



# SmartLight<sup>™</sup>

The Lamp for Learning

**Model: VD12**

Dear Customer,

Thank you for purchasing the Verilux SmartLight™ Natural Spectrum® Desk Lamp. You have received a quality product, backed by a one year limited warranty. As a Verilux customer, your satisfaction means everything to us. We look forward to serving you now and in the future.

Many other healthy lighting products are available through our catalog and online. Visit us on the web at [www.verilux.com](http://www.verilux.com) to request a free catalog and learn more about all our quality Verilux products, or call us toll-free at 1-800-454-4408.

Have a bright day!



Nicholas Harmon  
President, Verilux, Inc.

## READ ALL INSTRUCTIONS BEFORE USING

### Important Safeguards

---

#### **▲ DANGER:**

- Do not operate this device near a water source to avoid electrocution.

---

#### **▲ WARNING:**

- Do NOT dismantle.
- Do not use with power supply voltage other than 120 VAC.
- Do not operate lamp in close proximity to flammable or combustible vapors, such as aerosol spray products, or where oxygen is being administered.
- Do not block vents on ballast. Vents are necessary for proper function of the ballast; blocking them may cause overheating of the ballast and increase risk of fire.
- Do not cut or shorten the power cord.
- The bulb in this product contains a trace amount of mercury, a chemical known to the state of California to cause birth defects or other reproductive harm. This substance may also cause injury if inhaled or ingested.

---

#### **▲ CAUTION:**

- For indoor use only.
- Always unplug lamp before performing bulb replacement or installation.
- This lamp is not for use with light dimmers, timers, motion detectors, voltage transformers or extension cords.
- This product may cause interference with radios, cordless telephones or devices that use a wireless remote control, such as televisions. If interference occurs, move the product away from the device, plug the product or device into a different outlet or move the lamp out of the line of sight of the remote control receiver.
- Unplug lamp during lightning storms or when unused for long periods.
- Be very careful not to pinch any part of the cord between any metal pieces.
- Do not use solvents or cleaners containing abrasives, or ammonia based cleaners on this product.
- All moisture should be properly wiped away and dried prior to restoring power.
- Do NOT use lubricating agent in assembly; please see troubleshooting section if you are having difficulty assembling your lamp.
- Disconnect lamp before performing alignment activity.
- Dispose of bulbs per local regulations. For more information on clean-up and disposal, see <http://www.lamprecycle.org>.

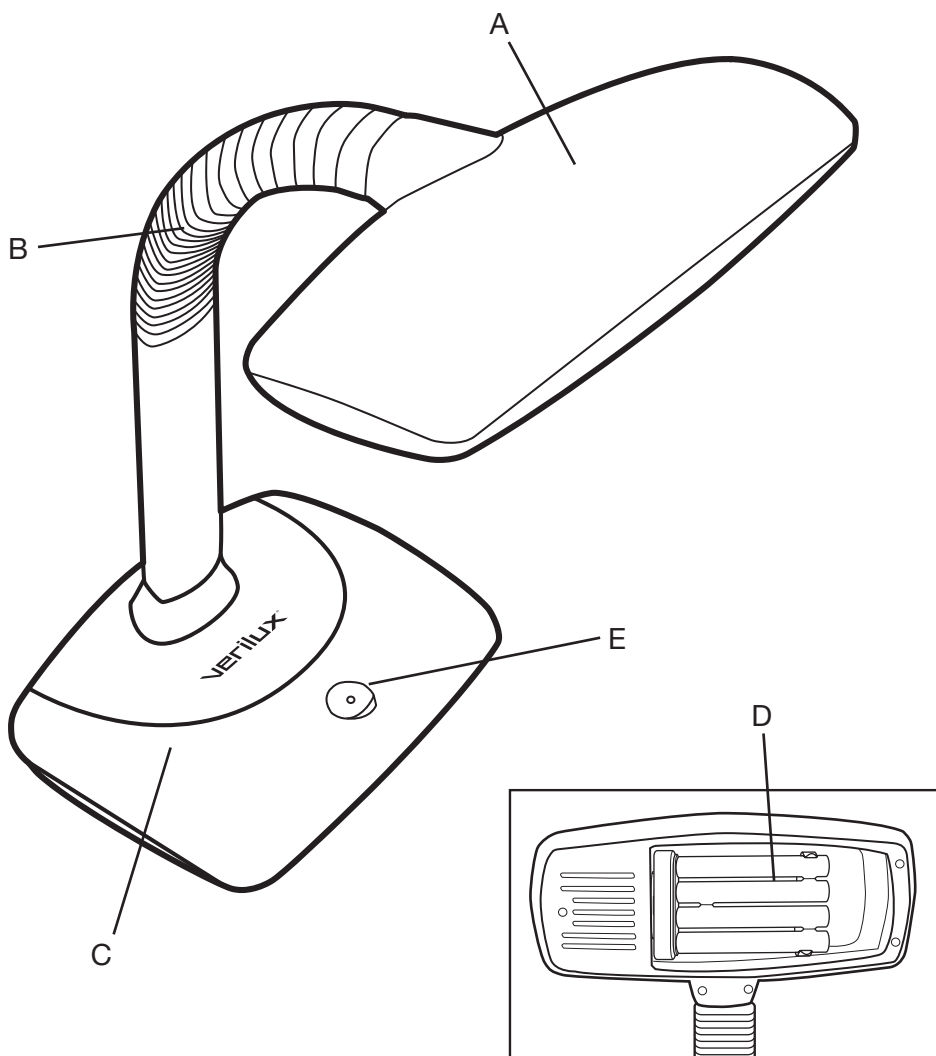
**SAVE THESE INSTRUCTIONS**

## Getting Started

### Main Parts & Controls

- A. Lamp Head
- B. Gooseneck
- C. Lamp Base

- D. Bulb
- E. On/Off Switch



Close-up of Lamp Head

## Set-up Instructions

To prevent damage during shipping, the Verilux® bulb is surrounded by protective padding. Carefully remove and dispose of the protective padding. Check to ensure that the bulb is fully seated and has not come loose from the socket during shipping. There should be no gap between the bulb and socket.

## How Light Enhanced Learning Works

When it comes to maximizing study time, the SmartLight™ is an ideal study partner. This lamp is designed with Verilux's patented Natural Spectrum® Daylight, a type of full spectrum lighting that replicates key wavelengths of natural daylight, to help students read faster with greater comprehension, study longer without eyestrain, and improve productivity, focus and concentration. Research using full spectrum lighting in a school setting resulted in significantly greater student achievement when compared to other light sources. And naturally lit study environments have also proven to positively impact students' abilities to understand study materials, resulting in increased math and reading test scores. The SmartLight combines over 50 years of research to scientifically tune light to the needs of the human eye. At home, college or office, the SmartLight is the perfect study partner.

## Scientifically Tuned to the Human Eye™

The back of the human eye has light receptors, called cones and rods, located in the retina. Cones respond to different color wavelengths and rods handle depth perception and contrast.

Under typical interior lights the rods are not well stimulated, which can cause visual fatigue. The SmartLight stimulates the rods to respond more efficiently and provides optimal wavelengths for the cones which helps you read faster with greater comprehension, study longer without eye strain, and improve focus while studying.

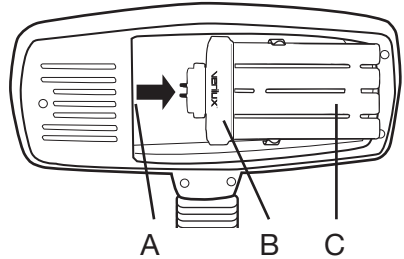
With the SmartLight, your eyes can see superior color representation as if you were outside and therefore can function with more clarity and less effort.

We hope you enjoy the benefits of our longstanding efforts to create the finest lamps and lighting in the world.

# Bulb Replacement Instructions

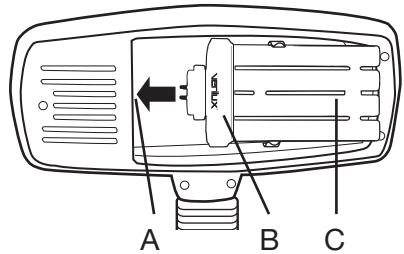
## Removal

1. Unplug lamp from power source.
2. Firmly hold bulb base (B) and pull bulb (C) from the socket (A) in an outward motion.



## Installation

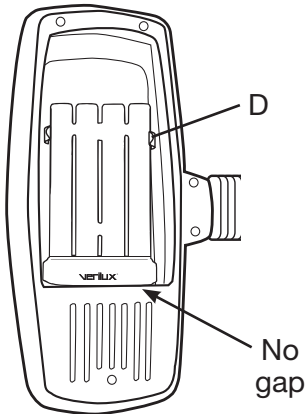
1. Unplug lamp from power source.
2. Firmly hold base (B) and push bulb (C) into the socket (A).
3. Be sure bulb is firmly seated in the socket (see Fig. 1) and snapped into the metal bulb clip (D).



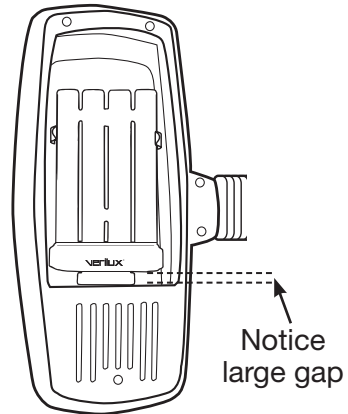
YES

Fig. 1

NO



Correctly seated bulb



Incorrectly seated bulb

**CAUTION:** ALWAYS UNPLUG LAMP BEFORE PERFORMING BULB REPLACEMENT OR INSTALLATION.

## Troubleshooting

**Before requesting service on your Verilux® lamp, please read the following:**

- Make sure all power connectors, cords and plugs are inserted fully and securely.
- Be sure the bulb is securely seated into the socket (see page 6).
- Make sure there is power to the wall outlet or try another outlet.

PROBLEM	CHECK	SOLUTION
Light Won't Come On	Has the plug come loose?	Insert plug securely into wall outlet.
	Is the bulb old?	Check bulb for blackening/darkening at bottom of spiral where it joins the base (an indicator of bulb life) and replace bulb.
	Is the bulb connected securely into socket?	Be sure the bulb is securely seated into socket, repeat the bulb installation process.
Blackening/Darkening at Ends of Bulb	Is the bulb new?	Sometimes when a new bulb is turned on for the first time the tube will darken, but this will fade after a few minutes.
	Is the bulb old?	With older bulbs, darkening of the tube indicates end of bulb life (this doesn't affect operation except to reduce the amount of light available since the phosphor in that area has become inactive). Bulb replacement is recommended.
Light Flickers	Has the plug come loose?	Insert plug securely into wall outlet.
	Is the bulb connected securely to the socket?	Be sure the bulb is securely seated into the socket, repeat the bulb installation process. <b>⚠CAUTION:</b> ALWAYS UNPLUG LAMP BEFORE PERFORMING BULB REPLACEMENT OR INSTALLATION.
	Is the lamp connected to a dimmer switch?	Connect lamp plug only to wall outlet without dimmer switch.

**⚠WARNING:** *Do not block vents on ballast. Vents are necessary for proper function of the ballast; blocking them may cause overheating of the ballast and increase risk of fire.*

## Care and Cleaning

Your lamp is made from high quality materials that will last for many years with minimum care. You may want to periodically clean the lamp using a mild non-abrasive cleaner and soft cloth. When cleaning, make sure you have turned off and unplugged the unit and allowed sufficient time for the unit to cool. All liquid should be properly wiped away and dried prior to restoring power.

**⚠ CAUTION:** DO NOT USE SOLVENTS OR CLEANERS CONTAINING ABRASIVES, OR AMMONIA BASED CLEANERS.

**⚠ CAUTION:** All moisture should be properly wiped away and dried prior to restoring power.



## Component Order Form

Order Online at [www.verilux.com/replacement\\_bulb](http://www.verilux.com/replacement_bulb)

Mail or Fax your order by using this form to:

Verilux, Inc., 340 Mad River Park, Waitsfield, VT 05673

Fax: 802-496-3105

Quantity	Price	Order Code	Product
	\$19.95	CFML27VLX	27 Watt Natural Spectrum® Bulb
	\$6.95	<b>Shipping &amp; Handling</b>	
		<b>Subtotal</b>	
		<b>CT &amp; VT Residents ONLY add 6% Sales Tax</b>	
		<b>Total Payment Enclosed</b>	

### Payment Method:

VISA    MASTERCARD    DISCOVER    AMERICAN EXPRESS    CHECK

Name as it Appears on Card \_\_\_\_\_

Credit Card Number \_\_\_\_\_

Expiration Date \_\_\_\_\_

Security Code (from back of card) \_\_\_\_\_

Authorized Signature (credit card purchasers ONLY) \_\_\_\_\_

Ship to Address \_\_\_\_\_

Phone Number \_\_\_\_\_

Email Address \_\_\_\_\_



## Warranty Registration

Thank you for purchasing one of the finest vision, therapy or sanitizing products on the market. This Warranty Registration **MUST** be completed and mailed in a timely manner in order for your warranty to be effective. Or you can register online at [www.verilux.com/warranty](http://www.verilux.com/warranty).

**Name** \_\_\_\_\_

**Address** \_\_\_\_\_

\_\_\_\_\_

**Phone Number** \_\_\_\_\_

**Email Address:** \_\_\_\_\_

**Model #** \_\_\_\_\_

**Date of Purchase (Month/Day/Year)** \_\_\_\_\_

Please cut out form and send to:

**VERILUX INC  
PO BOX 451006  
OMAHA NE 68145-5006**

Or register online at [www.verilux.com/warranty](http://www.verilux.com/warranty)

Cut Along Dashed Line

## One Year Limited Warranty

**ATTENTION!** ONCE OPENED, PLEASE **DO NOT** RETURN THIS PRODUCT TO THE STORE WHERE IT WAS PURCHASED FOR REPAIR OR REPLACEMENT!

Many questions may be answered by visiting [www.verilux.com](http://www.verilux.com), or you may call our Customer Service Department at 800-786-6850 during normal business hours.

This limited warranty is provided by: Verilux, Inc., 340 Mad River Park, Waitsfield, VT 05673

Verilux warrants this product to be free from defects in material and workmanship for a period of 90 days from the date of the original retail purchase from Verilux or an authorized Verilux distributor. **Proof of purchase is required for all warranty claims.** During the limited warranty period, Verilux, Inc. will, at its option, repair or replace defective parts of this product, at no charge to the customer, subject to the following limitations: This limited warranty does not include any postage, freight, handling, insurance or delivery fees. This warranty does not cover damage, defect or failure caused by or resulting from accident, external destruction, alteration, modification, abuse, misuse or misapplication of this product.

This warranty does not cover damage to the product resulting from return shipping or handling. The use of shipping insurance is recommended to help protect your product.

**Return Authorization is required for all returns.** To obtain a Return Authorization, please contact the Verilux Customer Service Department at 800-786-6850.

If, during the first 90 days of ownership, this product fails to operate properly, it should be returned as specified at [www.verilux.com/warrantyreplacement](http://www.verilux.com/warrantyreplacement) or as instructed by a Verilux customer service representative at 800-786-6850.

**Note:** *Verilux recommends using a quality surge suppressor on all electronics equipment. Voltage variations and spikes can damage electronic components in any system. A quality suppressor can eliminate the vast majority of failures attributed to surges and may be purchased at electronics stores.*

Due to ongoing improvements, actual product may have slight variations from the product described in this manual.

Please visit our web site at: [www.verilux.com](http://www.verilux.com) or call

**1-800-786-6850**

Representatives are available Monday — Friday, 9am — 5pm EST

**verilux®**

340 Mad River Park, Waitsfield, VT 05673

Made in China

Printed in China for Verilux, Inc.

© Copyright 2011 Verilux, Inc. All rights reserved.

## Free Manuals Download Website

<http://myh66.com>

<http://usermanuals.us>

<http://www.somanuals.com>

<http://www.4manuals.cc>

<http://www.manual-lib.com>

<http://www.404manual.com>

<http://www.luxmanual.com>

<http://aubethermostatmanual.com>

Golf course search by state

<http://golfingnear.com>

Email search by domain

<http://emailbydomain.com>

Auto manuals search

<http://auto.somanuals.com>

TV manuals search

<http://tv.somanuals.com>