

Utility Tray | Accessory

For Original & EasyFlex® Floor Lamps

VL01

Dear Customer,

The Verilux® Utility Tray is a quality accessory product designed to make your Original Natural Spectrum® Floor Lamp or EasyFlex® Deluxe Floor Lamp even more useful and enjoyable. As a Verilux® customer, your satisfaction means everything to us. We look forward to serving you now and in the future.

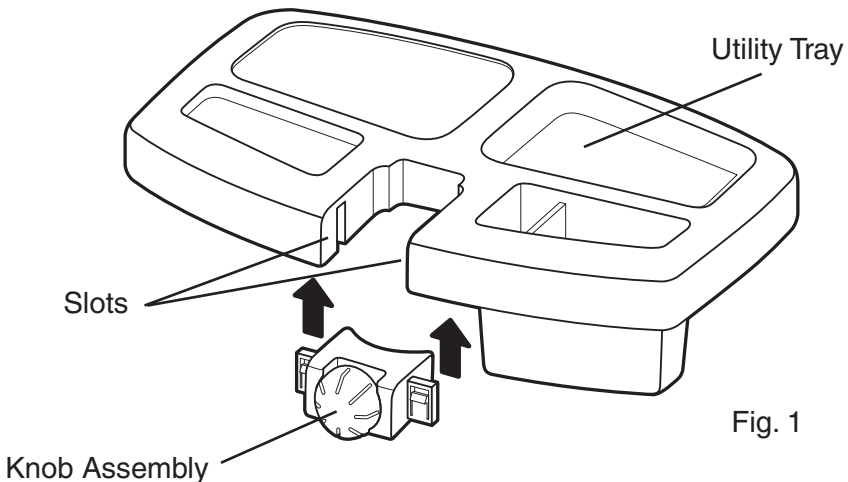
Many other healthy lighting products are available through our catalog and online. To request a free copy of our catalog, call our toll-free number 1-888-544-4865. You may also visit us on the web at www.Verilux.com to learn more about all our quality Verilux® products.

Have a Bright Day!

Nicholas Harmon

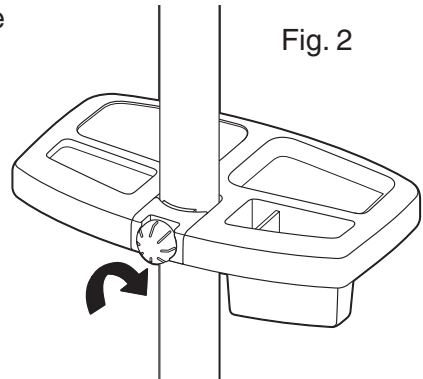
Nicholas Harmon, President and CEO

PARTS



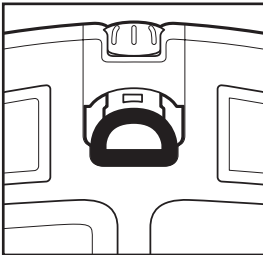
INSTRUCTIONS FOR ATTACHMENT

1. Place Utility Tray opening around the lamp shaft at the desired height.
2. Insert knob assembly into the slots. (Fig 1)
3. Turn knob clockwise to secure the Utility Tray in place. Do not overtighten. (Fig 2)
4. **Please Note:** When the Utility Tray is installed on the EasyFlex® Floor Lamp, there will be a 1/4" gap in the front. (Fig 4)



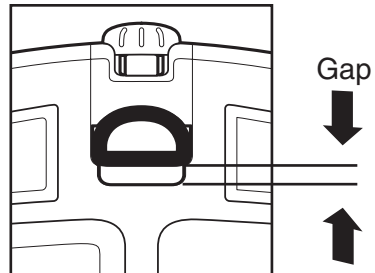
Installation:

Fig. 3



For Original Natural Spectrum®
Floor Lamp – VF01

Fig. 4

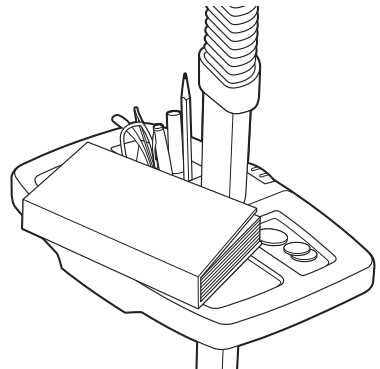


For EasyFlex® Deluxe
Floor Lamp – VF02

Suggested use:

Store and organize lightweight items such as reading glasses, pens, remote control, portable phone, paperback book.

CAUTION: Your floor lamp may become unstable with more than 3 lbs. of weight on the utility tray. The utility tray is not recommended to hold beverages.



Due to ongoing improvements, actual product may vary slightly from illustrations.

One-Year Limited Warranty

ATTENTION! ONCE OPENED, PLEASE **DO NOT** RETURN THIS PRODUCT TO THE STORE WHERE IT WAS PURCHASED FOR REPAIR OR REPLACEMENT!

Many questions may be answered by visiting www.Verilux.com, or you may call our customer service department at 1-888-544-4865.

This limited warranty is provided by:

Verilux, Inc., 340 Mad River Park, Waitsfield, VT 05673

Verilux® warrants this product to be free from defects in material and workmanship for a period of one year from the date of the original retail purchase. During the limited warranty period, Verilux, Inc. will, at its option, repair or replace defective parts of this product, at no charge to the customer, subject to the following limitations. This limited warranty does not include any postage, freight, insurance or delivery fees. This warranty does not cover damage, defect or failure caused by or resulting from accident, external destruction, alteration, modification, abuse, misuse, or misapplication of this product.

If, during the first one year of ownership, this product fails to operate properly, it should be returned as specified below:

Please pack the defective product in its original protective packing and box, with a copy of your sales receipt, along with \$6.95 (check or money order to cover shipping and handling), and send to:

For U.S. Postal Service Only:
Verilux Warranty

Service Center, c/o WTB

P.O. Box 119, West Redding, CT 06896

For Fed Ex & UPS Only:
Verilux Warranty

Service Center, c/o WTB

32 Henry Street, Bldg 17A, Bethel, CT 06801

Please allow 4-6 weeks before you receive the repaired or replaced product.

ATTENTION: When returning a product, be aware that damage during shipping is the responsibility of the purchaser and will void any warranty claim. We recommend that you insure the shipment by shipper when returning this product or any parts. Be sure to return product in original packaging.

Note: Verilux® recommends using a quality surge suppressor on all electronics equipment. Voltage variations and spikes can damage electronic components in any system. A quality suppressor can eliminate the vast majority of failures attributed to surges and may be purchased at electronics stores.

Due to ongoing improvements, actual product may have slight variations from the product described in this manual.

Please visit our web site at: www.Verilux.com

verilux®
LIFE IN A BETTER LIGHT®

340 Mad River Park, Waitsfield, VT 05673

Free Manuals Download Website

<http://myh66.com>

<http://usermanuals.us>

<http://www.somanuals.com>

<http://www.4manuals.cc>

<http://www.manual-lib.com>

<http://www.404manual.com>

<http://www.luxmanual.com>

<http://aubethermostatmanual.com>

Golf course search by state

<http://golfingnear.com>

Email search by domain

<http://emailbydomain.com>

Auto manuals search

<http://auto.somanuals.com>

TV manuals search

<http://tv.somanuals.com>