

Magnifier

For Original & EasyFlex® Floor Lamps

VM01



Dear Customer,

Thank you for purchasing the Verilux® Deluxe Magnifier. You have received an innovative and quality manufactured product, backed by a one-year limited warranty. As a Verilux® customer, your satisfaction means everything to us. We look forward to serving you now and in the future.

Many other healthy lighting products are available through our catalog and online. Visit us on the web at www.Verilux.com to request a free catalog and learn more about all our quality Verilux® products, or call our toll-free number 1-800-454-4408.

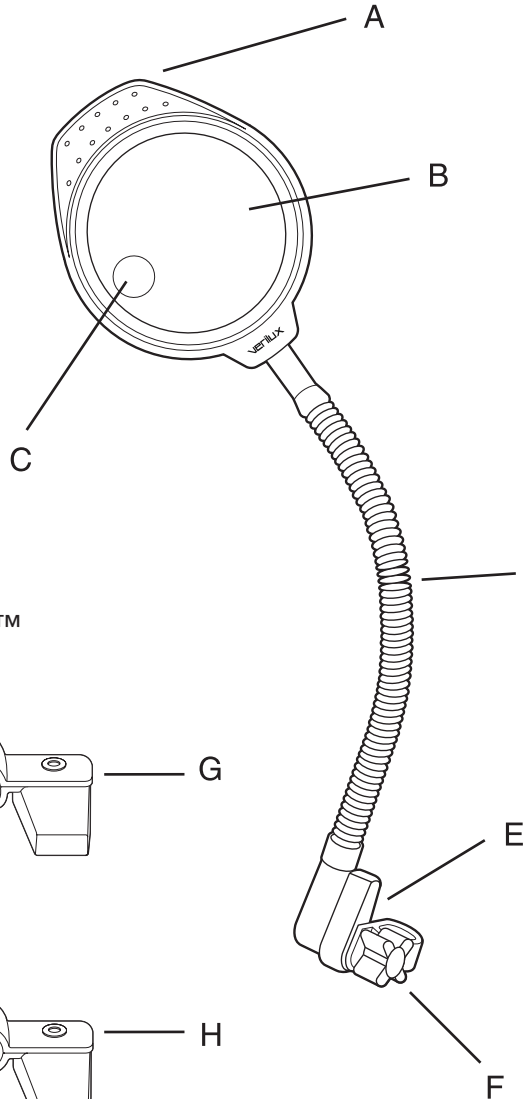
Have a Bright Day!

Nicholas Harmon
President and CEO

MAGNIFIER PARTS

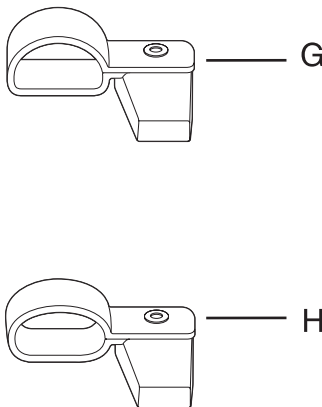
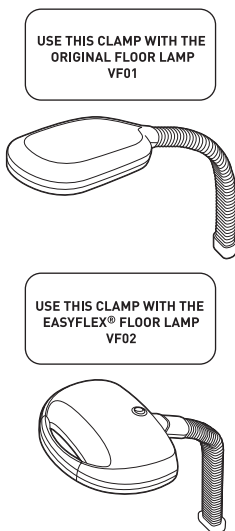
Main Parts

- A. Handle
- B. 2X Magnifier Lens
- C. 6X Spot Lens
- D. Gooseneck Arm
- E. Clamp Assembly
- F. Tightening Knob



Additional Parts

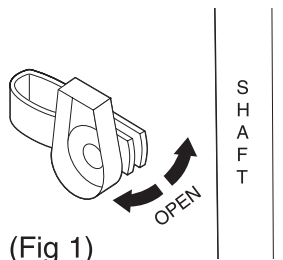
- G. Adapter clamp for Original Deluxe Floor Lamp (VF01)
- H. Adapter clamp for EasyFlex™ Deluxe Floor Lamp (VF02)



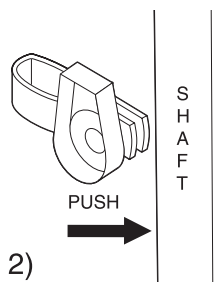
INSTRUCTIONS FOR ATTACHMENT

To attach the Verilux® Deluxe Magnifier to your floor lamp:

1. Remove magnifier from packaging.
2. Locate the adapter clamp that corresponds to your Verilux® Floor Lamp model.
3. Open the adapter clamp wide enough to fit around the lamp shaft (Fig 1).



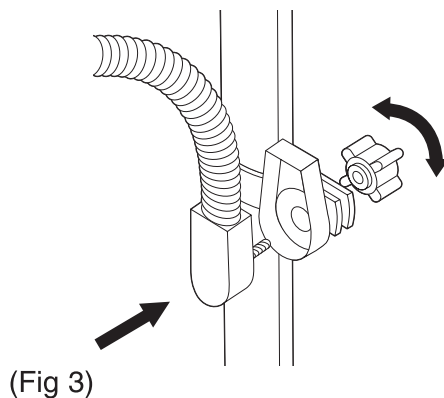
4. Snap clamp in place at the desired mounting height (Fig 2).



5. Unscrew and remove the tightening knob on the end of the magnifier arm by turning counterclockwise.
6. Insert the magnifier into the adapter clamp and secure with the tightening knob, turning clockwise (Fig 3).

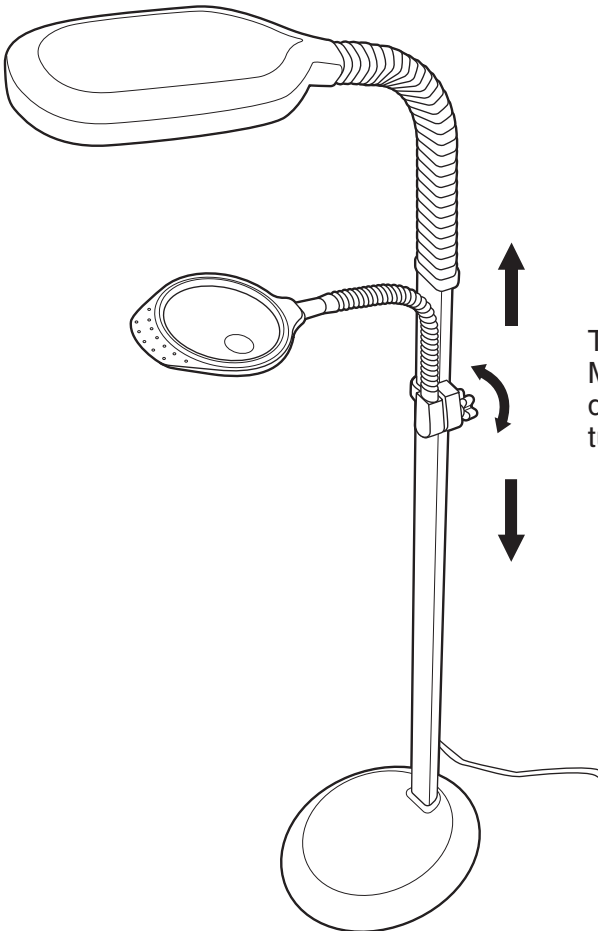
7. Remove the protective film from magnifier lens and wipe lens clean with the microfiber dusting cloth provided.

NOTE: Do not attach magnifier to logo area on lamp shaft, or to gooseneck.



ADJUSTING THE MAGNIFIER

1. Turn the tightening knob counterclockwise to loosen the adapter clamp.
2. While holding the lamp shaft steady, slide the magnifier up or down to the desired position.
3. Turn the tightening knob clockwise to secure.
4. Use the magnifier handle to position the magnifier as needed.



The Verilux® Deluxe Magnifier moves up and down easily with the turn of a knob.

CARE & CLEANING

NOTE: The lens is made of optical quality acrylic. To avoid scratches clean only with the microfiber dust cloth supplied, or unplug lamp and use a soft cloth and warm soapy water.

NEVER USE ABRASIVE CLEANERS OR AMMONIA-BASED WINDOW CLEANER.

IMPORTANT SAFETY INFORMATION



WARNING - RISK OF FIRE!

Never leave the lens in direct sunlight or place in a position where direct sunlight can shine through the magnifier.

WARRANTY

One-Year Limited Warranty

ATTENTION! ONCE OPENED, PLEASE *DO NOT* RETURN THIS PRODUCT TO THE STORE WHERE IT WAS PURCHASED FOR REPAIR OR REPLACEMENT!

Many questions may be answered by visiting www.Verilux.com, or you may call our customer service department at 1-888-544-4865.

This limited warranty is provided by:

Verilux, Inc., 340 Mad River Park, Waitsfield, VT 05673

Verilux® warrants this product to be free from defects in material and workmanship for a period of one year from the date of the original retail purchase. During the limited warranty period, Verilux, Inc. will, at its option, repair or replace defective parts of this product, at no charge to the customer, subject to the following limitations. This limited warranty does not include any postage, freight, insurance or delivery fees. This warranty does not cover damage, defect or failure caused by or resulting from accident, external destruction, alteration, modification, abuse, misuse, or misapplication of this product.

If, during the first one year of ownership, this product fails to operate properly, it should be returned as specified below:

Please pack the defective product in its original protective packing and box, with a copy of your sales receipt, along with \$6.95 (check or money order to cover shipping and handling), and send to:

For U.S. Postal Service Only:
Verilux Warranty

Service Center, c/o WTB

P.O. Box 119, West Redding, CT 06896

For Fed Ex & UPS Only:
Verilux Warranty

Service Center, c/o WTB

32 Henry Street, Bldg 17A, Bethel, CT 06801

Please allow 4-6 weeks before you receive the repaired or replaced product.

ATTENTION: When returning a product, be aware that damage during shipping is the responsibility of the purchaser and will void any warranty claim. We recommend that you insure the shipment by shipper when returning this product or any parts. Be sure to return product in original packaging.

***Note:** Verilux® recommends using a quality surge suppressor on all electronics equipment. Voltage variations and spikes can damage electronic components in any system. A quality suppressor can eliminate the vast majority of failures attributed to surges and may be purchased at electronics stores.*

Due to ongoing improvements, actual product may have slight variations from the product described in this manual.

Please visit our web site at: www.Verilux.com

verilux®
The Healthy Lighting Company™

340 Mad River Park, Waitsfield, VT 05673

Free Manuals Download Website

<http://myh66.com>

<http://usermanuals.us>

<http://www.somanuals.com>

<http://www.4manuals.cc>

<http://www.manual-lib.com>

<http://www.404manual.com>

<http://www.luxmanual.com>

<http://aubethermostatmanual.com>

Golf course search by state

<http://golfingnear.com>

Email search by domain

<http://emailbydomain.com>

Auto manuals search

<http://auto.somanuals.com>

TV manuals search

<http://tv.somanuals.com>