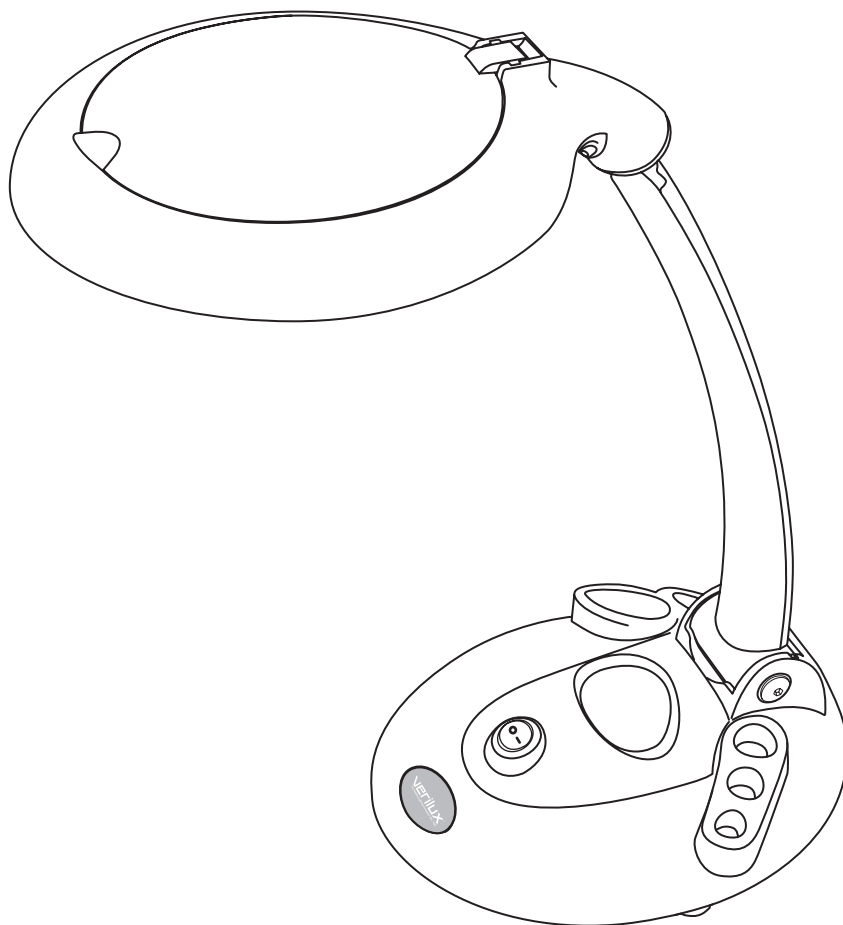


**verilux**<sup>®</sup>  
The Healthy Lighting Company<sup>®</sup> Est. 1956



# EasyRead<sup>™</sup>

Magnifying LED Desk Lamp

**Model: VM05**



Dear Customer,

Thank you for purchasing the Verilux EasyRead™ Magnifying LED Desk Lamp. You have received a quality product, backed by a one-year limited warranty. As a Verilux customer, your satisfaction means everything to us. We look forward to serving you now and in the future.

Many other healthy lighting products are available through our catalog and online. Visit us on the web at [www.verilux.com](http://www.verilux.com) to request a free catalog and learn more about all our quality Verilux products, or call us toll-free at 1-800-454-4408.

Have a bright day!

A handwritten signature in black ink that reads "Nicholas Harmon". The signature is written in a cursive, flowing style.

Nicholas Harmon  
President, Verilux, Inc.

## READ ALL INSTRUCTIONS BEFORE USING

### Important Safeguards

#### **▲ DANGER:**

- Do not operate this lamp near a water source to avoid electrocution.

#### **▲ WARNING:**

- Do NOT dismantle.
- Do not use with power supply voltage other than 120 VAC.
- Do not cut or shorten the power cord.

#### **▲ CAUTION:**

- For indoor use only.
- This lamp is not for use with light dimmers, timers, motion detectors, voltage transformers or extension cords.
- This product may cause interference with radios, cordless telephones or devices that use a wireless remote control, such as televisions. If interference occurs, move the product away from the device, plug the product or device into a different outlet or move the lamp out of the line of sight of the remote control receiver.
- Unplug lamp during lightning storms or when unused for extended periods of time.
- Do not use solvents or cleaners containing abrasives, or ammonia based cleaners on this product.
- All moisture should be properly wiped away and dried prior to restoring power.

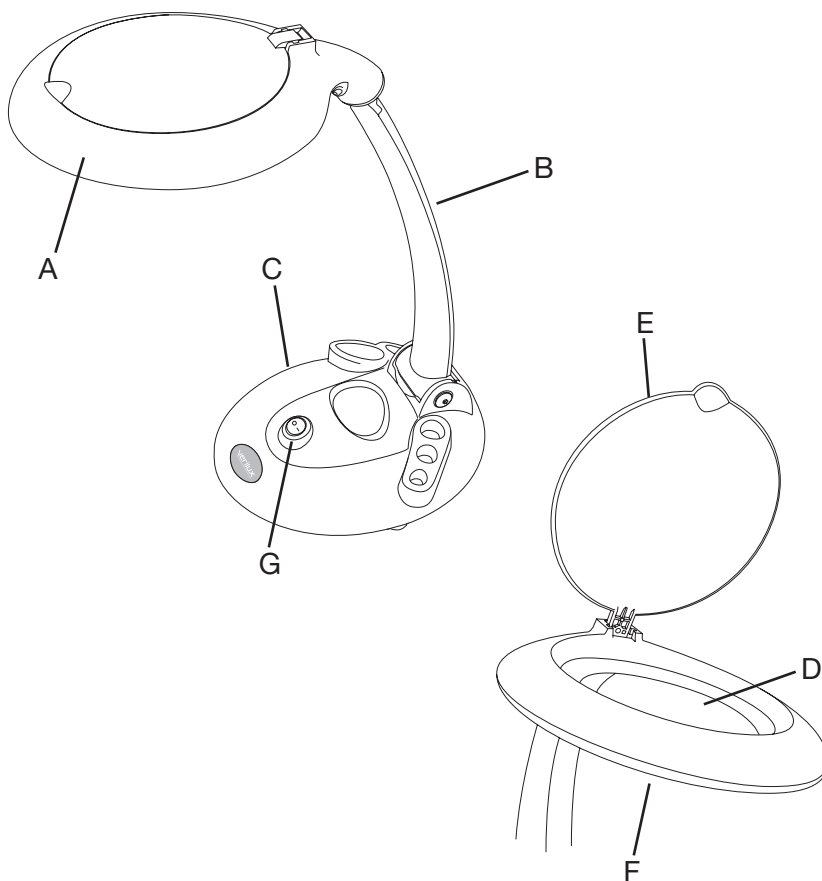
**SAVE THESE INSTRUCTIONS**

**3**

## Getting Started

### Main Parts & Controls

- A. Lamp Head
- B. Double Articulating Arm
- C. Lamp Base
- D. Magnifyer
- E. Flip-up Dust Cover
- F. LED Light Ring
- G. On/Off Switch



## Set-up Instructions

Plug lamp into an outlet and turn it on. If lamp does not illuminate instantly, please refer to the troubleshooting section of this manual.

## Introduction

Performing intricate craft work or reading details just got easier with the EasyRead Magnifying LED Desk Lamp. As a lamp it provides bright, crisp LED illumination and when you need magnification, simply reposition the double articulating arm for precise ergonomic comfort and flip the top of the lamp head up to expose 2.25x illuminated magnification. With a full 5" diameter of hands-free, distortion-free text and project magnification, you can enjoy hobbies, crosswords or an extra-close look with ease and style. This handsome, quality desk lamp also offers utility compartments in its base to keep pens and other supplies handy.

**Crystal Clear Optics without Eyestrain** The EasyRead Magnifying LED Desk Lamp offers 72 ultra-bright LEDs that flood an area with light for sharper detail, preventing eyestrain and making it easier to read or perform tasks. Flip the top to expose a powerful magnifier for fine print or an extra-close look.

**Adjustable, Glare-Free Illumination** With its durable double-articulating neck, the EasyRead Magnifying LED Desk Lamp that provides bright light without any glare and adjusts quickly and easily. Use the handy on-board Allen wrench for stay-in-place adjustment.

**Energy-Efficient LEDs** To save you money and help protect the environment, this lamp uses energy-efficient LED bulbs. These bulbs last 10,000 hours and never need replacement. Additionally, they emit little or no heat when compared to incandescent bulbs, so working for extended periods of time under and around the lens will be more comfortable.

### Features

- Flip-up dust cover exposes a powerful 5-inch, optic-quality glass lens that provides 2.25x hands-free illuminated magnification for reading, hobbies and detailed tasks
- 72 LED super bright lights provide stunning clarity for the finest details and remain cool to the touch

## Introduction - Cont.

- Fully adjustable neck and lamp head extend and pivot to accommodate a variety of positions
- Energy efficient LED's are non-toxic, contain no mercury or lead, last over 10,000 hours and never need changing
- Convenient base tray keeps pens and other supplies handy
- Great for reading, hobbies and examining documents, maps, photographs and collectibles
- Weighted base provides stability on any desktop
- UL Listed

## Troubleshooting

**Before requesting service on your Verilux® lamp, please read the following:**

- Make sure all power connectors, cords and plugs are inserted fully and securely.
- Make sure there is power to the wall outlet or try another outlet.

## Care & Cleaning

Your lamp is made from high quality materials that will last for many years with minimum care. You may want to periodically clean the lamp, using a mild non-abrasive cleaner and soft cloth. When cleaning, make sure you have turned off and unplugged the unit. All liquid should be properly wiped away and dried prior to restoring power.

**⚠ CAUTION:** DO NOT USE SOLVENTS OR CLEANERS CONTAINING ABRASIVES, OR AMMONIA BASED CLEANERS ON THIS PRODUCT.

**⚠ CAUTION:** ALL MOISTURE SHOULD BE PROPERLY WIPED AWAY AND DRIED PRIOR TO RESTORING POWER.

## One Year Limited Warranty

**ATTENTION!** ONCE OPENED, PLEASE **DO NOT** RETURN THIS PRODUCT TO THE STORE WHERE IT WAS PURCHASED FOR REPAIR OR REPLACEMENT!

Many questions may be answered by visiting [www.verilux.com](http://www.verilux.com), or you may call our Customer Service Department at 1-800-786-6850 during normal business hours.

This limited warranty is provided by: Verilux, Inc., 340 Mad River Park, Waitsfield, VT 05673

Verilux warrants this product to be free from defects in material and workmanship for a period of one year from the date of the original retail purchase from Verilux or an authorized Verilux distributor. **Proof of purchase is required for all warranty claims.** During the limited warranty period, Verilux, Inc. will, at its option, repair or replace defective parts of this product, at no charge to the customer, subject to the following limitations: This limited warranty does not include any postage, freight, handling, insurance or delivery fees. This warranty does not cover damage, defect or failure caused by or resulting from accident, external destruction, alteration, modification, abuse, misuse or misapplication of this product.

This warranty does not cover damage to the product resulting from return shipping or handling. The use of shipping insurance is recommended to help protect your product.

**Return Authorization is required for all returns.** To obtain a Return Authorization, please contact the Verilux Customer Service Department at 1-800-786-6850.

If, during the first year of ownership, this product fails to operate properly, it should be returned as specified at [www.verilux.com/warranty](http://www.verilux.com/warranty) replacement or as instructed by a Verilux customer service representative at 1-800-786-6850.

**Note:** *Verilux recommends using a quality surge suppressor on all electronics equipment. Voltage variations and spikes can damage electronic components in any system. A quality suppressor can eliminate the vast majority of failures attributed to surges and may be purchased at electronics stores.*

Due to ongoing improvements, actual product may have slight variations from the product described in this manual.

Please visit our website at [www.verilux.com](http://www.verilux.com) or call our Customer Service Department at

**1-800-786-6850**

Representatives are available Monday — Friday, 9am — 5pm ET

**verilux®**

340 Mad River Park, Waitsfield, VT 05673





## Free Manuals Download Website

<http://myh66.com>

<http://usermanuals.us>

<http://www.somanuals.com>

<http://www.4manuals.cc>

<http://www.manual-lib.com>

<http://www.404manual.com>

<http://www.luxmanual.com>

<http://aubethermostatmanual.com>

Golf course search by state

<http://golfingnear.com>

Email search by domain

<http://emailbydomain.com>

Auto manuals search

<http://auto.somanuals.com>

TV manuals search

<http://tv.somanuals.com>