

verilux[®]
LIFE IN A BETTER LIGHT[™]

Natural Spectrum[®] Deluxe Book and Travel Light



VB01

Important Safety Instructions

SAVE THESE INSTRUCTIONS

Thank you for purchasing the Verilux® Natural Spectrum® Deluxe Book and Travel Light.

PLEASE READ THE FOLLOWING SAFETY INFORMATION BEFORE USING.

WARNING: CHOKING HAZARD – Small parts. This product is NOT a toy and is not intended for children 3 years and under. ADULT SUPERVISION is required, for battery/electrical safety and small parts.

BATTERY SAFETY CAUTIONS: Improper use of this or any battery operated product may cause batteries to leak or explode, which may cause personal injury or damage to electronic equipment.

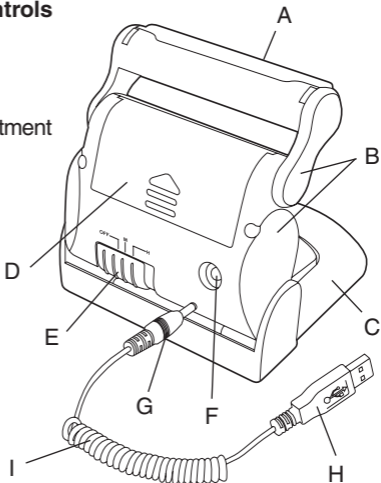
- **Do not mix BATTERY TYPES:** Batteries are commonly available in alkaline, standard (carbon-zinc), and rechargeable (nickel-cadmium). DO NOT MIX. Use only (2) alkaline, (2) standard, or (2) rechargeable type batteries.
- **Do not mix OLD and NEW batteries.**
- Remove batteries when the product is not in use for extended periods of time.
- Do not dispose of batteries in fire - Please recycle used batteries.

The bulb of the Verilux® Natural Spectrum® Deluxe Book and Travel Light is rated for 10,000 hours of use, when used in accordance with these instructions, and should never need replacement. DO NOT attempt to remove or replace the bulb. In the unlikely event your bulb fails, contact our Customer Service Department (1-888-544-4865).

Features and Operations

Main Parts & Controls

- A. Bulb
- B. Hinge System
- C. Book Clip
- D. Battery Compartment
- E. Power Switch
Off/Low/High
- F. DC Socket
- G. DC Jack
- H. USB Plug
- I. USB Cable



Battery Installation/Replacement

1. Slide the battery compartment door open in the direction indicated by the arrow.
2. Insert two (2) AA batteries so the poles (+) and (-) exactly match the diagram located in the battery compartment.
3. Slide battery door back on until fully closed.
4. Locate power switch on the back of the unit and choose between two brightness levels, (M) for lower light level and (H) for brighter light. Allow 1-2 minutes for bulb to achieve full brightness and enjoy your Verilux® Natural Spectrum® Deluxe Book and Travel Light.

USB Powered Operation

1. Remove batteries BEFORE inserting USB plug adapter.
2. Plug DC jack end of USB cable in DC socket of the book light.
3. Connect the USB plug end of the cable to the computer USB port (USB 1.0 & 2.0 compatible).
4. Turn on the book light by choosing brightness level and enjoy your USB powered Natural Spectrum® Deluxe Book and Travel Light.

NOTE: Due to current restrictions of USB (500mA) powered light may not seem as bright as battery powered light.

USB Battery Recharge Function

IMPORTANT: Use NiMH or NiCD rechargeable AA batteries only! DO NOT attempt to charge non-rechargeable batteries.

1. Switch book light to OFF position (must remain in OFF position for recharge function).
2. Connect USB cable from the book light to the computer USB port (as described above). Battery charging times are approximately 10-14 hours.

Please visit our web site at:

www.Verilux.com

Call our Customer Service Department at

1-888-544-4865

verilux®
LIFE IN A BETTER LIGHT®

340 Mad River Park, Waitsfield, VT 05673

Free Manuals Download Website

<http://myh66.com>

<http://usermanuals.us>

<http://www.somanuals.com>

<http://www.4manuals.cc>

<http://www.manual-lib.com>

<http://www.404manual.com>

<http://www.luxmanual.com>

<http://aubethermostatmanual.com>

Golf course search by state

<http://golfingnear.com>

Email search by domain

<http://emailbydomain.com>

Auto manuals search

<http://auto.somanuals.com>

TV manuals search

<http://tv.somanuals.com>