



ADDISON
*Freestanding
Electric
Stove Models:*

- ACSB**
- ACSG**
- ACSM**

Installation Instructions and Homeowner's Manual

WARNING! IF THE INFORMATION IN THIS MANUAL IS NOT FOLLOWED EXACTLY, A FIRE OR EXPLOSION MAY RESULT CAUSING PROPERTY DAMAGE, PERSONAL INJURY OR LOSS OF LIFE.

FOR YOUR SAFETY

**DO NOT STORE
OR USE GASOLINE OR OTHER
FLAMMABLE VAPORS OR LIQUIDS
IN THE VICINITY OF THIS OR ANY
OTHER APPLIANCE.**

**The Vermont Castings
Majestic Products Company**

410 Admiral Blvd. • Mississauga, Ontario, Canada. L5T2N6 • 905-670-7777
www.majesticproducts.com / www.vermontcastings.com

INSTALLER: DO NOT DISCARD THIS MANUAL - LEAVE FOR HOMEOWNER

10003646
11/01 Rev. 1

TABLE OF CONTENTS

**PLEASE READ THE INSTALLATION & OPERATING INSTRUCTIONS
BEFORE USING THIS APPLIANCE.**

Thank you and congratulations on your purchase of a VERMONT CASTINGS fireplace.

IMPORTANT: Read all instructions and warnings carefully before starting installation. Failure to follow these instructions may result in a possible electric shock, fire hazard and will void the warranty.

Installation Instructions	3
General	3
Locating Your Fireplace	3
Fireplace Dimensions.....	4
Clearance to Combustibles	5
Hearth	5
Electrical Specifications	5
Electrical Connections	6
Service Instructions	6
Firebox Removal	6
Glass Information	6
Replacing Light Bulbs.....	6
Maintenance of Motors	6
Electrical Wiring Diagram	7
Operating Instructions	7
On/Off Switch	7
Heater Control	7
Replacement Parts List	8
Replacement Parts Pictorial	8
Door Glass Replacement Parts and intallation	9

INSTALLATION INSTRUCTIONS

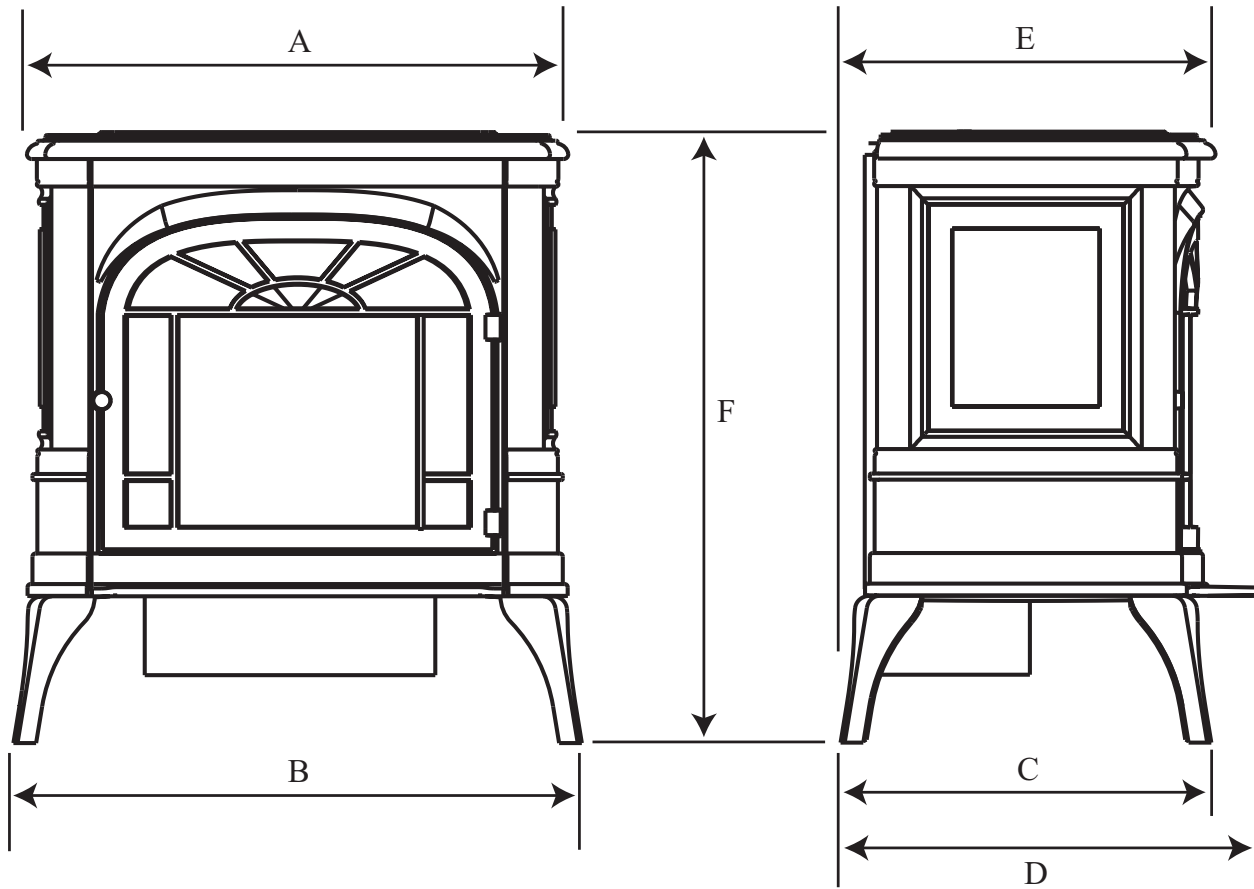
GENERAL

1. Read all instructions before using this appliance.
2. This appliance is hot when in use. To avoid burns, do not let bare skin touch hot surfaces. If provided, use handles when moving this appliance. Keep combustible materials, such as furniture, pillows, bedding, papers, clothes, and curtains at least 3 feet (1 m.) from the front of this appliance.
3. **CAUTION: Extreme caution is necessary when any heater is used by or near children or invalids and whenever the heater is left operating unattended.**
4. If possible, always unplug this appliance when not in use.
5. Do not operate any heater with a damaged cord or plug or after the appliance malfunctions, has been dropped or damaged in any manner.
6. Any repairs to this fireplace should be carried out by a qualified service person.
7. Under no circumstances should this fireplace be modified. Parts having to be removed for servicing must be replaced prior to operating this fireplace again.
8. Do not use outdoors.
9. This heater is not intended for use in bathrooms, laundry areas and similar indoor locations. Never locate this appliance where it may fall into a bathtub or other water container.
10. Do not run cord under carpeting. Do not cover cord with throw rugs, runners or the like. Arrange cord away from traffic areas and where it will not be tripped over.
11. To disconnect this appliance, turn controls to the off position, then remove plug from outlet.
12. Connect to properly grounded outlets only.
13. This appliance, when installed must be electrically grounded in accordance with local codes, with the current CSA C22.1 Canadian Electrical codes or for USA installations, follow local codes and the National Electrical Code, ANSI/NFPA NO. 70.
14. Do not insert or allow foreign objects to enter any ventilation or exhaust opening as this may cause an electric shock, fire, or damage the appliance.
15. To prevent possible fire, do not block air intakes or exhaust in any manner. Do not use on soft surfaces, like a bed, where openings may become blocked.
16. This appliance has hot and arcing or sparking parts inside. Do not use it in areas where gasoline, paint, or flammable liquids are used or stored. This fireplace should not be used as a drying rack for clothing, nor should Christmas stockings or decorations be hung on or near it.
17. Use this appliance only as described in this manual. Any other use not recommended by the manufacturer may cause fire, electric shock, or injury to persons.
18. Avoid the use of an extension cord because the extension cord may overheat and cause a risk of fire. However, if you have to use an extension cord, the cord shall be No. 16 AWG minimum size and rated not less than 1900 Watts. The extension cord must be a three wire cord with grounding type plug and cord connector.
19. **SAVE THESE INSTRUCTIONS.**

LOCATING YOUR FIREPLACE

Your new freestanding electric fireplace may be installed virtually anywhere in your home. However, when choosing a location for your new fireplace, ensure that the general instructions are followed. Also, for best effect, install the fireplace out of direct sunlight.

FIREPLACE DIMENSIONS



A	Width of Stove Top	565 mm	22-1/4 in
B	Width at Legs	600 mm	23-3/8 in
C	Depth at Legs	390 mm	15-3/8 in
D	Depth at Apron	430 mm	17 in
E	Depth at Stove Top	400 mm	15-3/4 in
F	Total Height	635 mm	25 in

CLEARANCE TO COMBUSTIBLES

Back.....0"/0 mm
Sides.....0"/0 mm
Floor.....0"/0 mm
Top.....12"/305 mm

HEARTH

A hearth is not mandatory but it is recommended for aesthetic purposes. We recommend a non-combustible hearth which does not obstruct heater openings.

ELECTRICAL SPECIFICATIONS

Voltage.....120VAC/60Hz
Total Amps.....11.9 Amps
Total Watts.....1430 Watts
Heater Ratings.....1300 Watts

LAVA ROCK MATERIAL PLACEMENT

A bag of decorative lava rock is included with this unit. To place the lava rock in the stove, follow the directions for removing the firebox (page 6, step 1 through 7). Spread lava rock evenly on exposed area of the orange ember bed.



ELECTRICAL CONNECTION

A 15 AMP, 120 Volt, 60 Hz circuit with a properly grounded outlet is required. Preferably, the fireplace will be on a dedicated circuit as other appliances on the same circuit may cause the circuit breaker to trip or the fuse to blow when the heater is in operation. The unit comes standard with a 6' (1828 mm) long three wire cord, exiting from the rear of the fireplace. Plan the installation to avoid the use of an extension cord. If an extension cord must be used, it must be a minimum 16AWG, three wire with grounding type plug connector and rated not less than 1900 Watts.



WARNING: Electrical outlet wiring must comply with local building codes and other applicable regulations to reduce the risk of fire, electrical shock and injury to persons.



WARNING: Do not use this fireplace if any part of it has been under water. Immediately call a qualified service technician to inspect the fireplace and replace any part of the electrical system.



WARNING: This fireplace comes with an optional manual circuit breaker reset near the power cord supply. In case the fireplace is not operating check the circuit breaker and reset the button at the breaker. If the fireplace is still not operating immediately call a qualified service technician to inspect the fireplace.

SERVICE INSTRUCTIONS



WARNING: Disconnect power before attempting any maintenance or cleaning to reduce the risk of fire, electrical shock or personal injury

FIREBOX REMOVAL

1. Unplug the electrical supply to the unit.
2. Let the fireplace cool if it has been operating.
3. Move the fireplace away from wall to gain access to the rear of the unit.
4. Locate the firebox mounting brackets on the side of the firebox. Remove the screws securing the firebox to the mounting brackets. (Figure 1).
5. Remove firebox by sliding it rearward out of the casing.
6. Gently place firebox on its back on the floor.
7. To reinstall firebox, follow the above procedure in reverse.

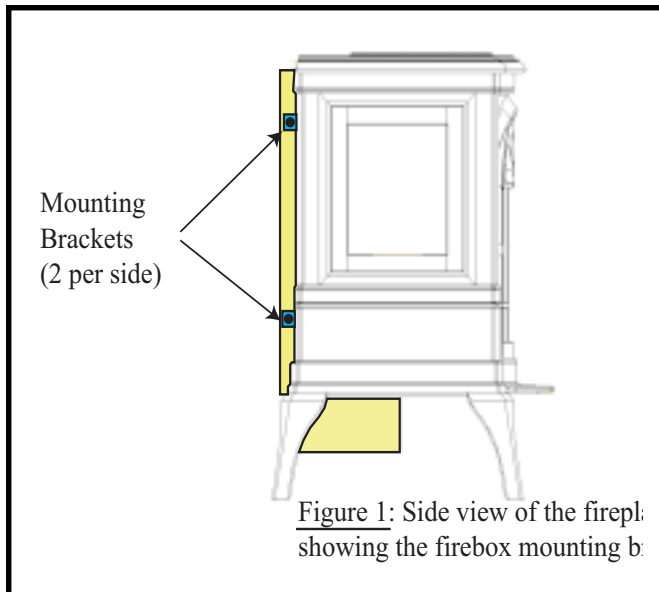


Figure 1: Side view of the fireplace showing the firebox mounting brackets.

GLASS INFORMATION

1. Under no circumstances should this product be operated with missing or broken glass.
2. Do not strike or slam the glass.
3. Do not use abrasive cleaners to clean the glass.
4. This product uses tempered glass. Replacement glass (with gasket) is available from the manufacturer and replacement should be carried out by a qualified service person.

REPLACING LIGHT BULBS

This fireplace uses two clear 120 Volt, 60 Watt, E-12 socket base light bulbs (small base, chandelier candle type). The 60 Watt bulbs are located under the log set/ember bed. For convenience, if one of the bulbs burns out, it may be a good idea to replace both of the light bulbs.

1. Turn off power to the unit by unplugging the power cord.
2. Let fireplace cool if it has if it has been operating.
3. Remove firebox from casing. (See Firebox removal)
4. Remove the two screws securing the ember bed and log set in position. One screw is located on either side of the ember bed near the front.
5. Examine the bulbs to determine which bulbs need to be replaced.
6. While holding the socket, unscrew defective bulb(s).
7. Install the new light bulb(s) by screwing in while holding the socket.
8. Reinstall ember bed and log set.
9. Reinstall firebox.



WARNING: Do not exceed 60 watts per bulb for lights beneath the ember bed. Use of higher rated bulbs may result in a fire, causing property damage or personal injury.

MAINTENANCE OF MOTORS

The motors used on the fan and the flame generator assembly are prelubricated for extended bearing life and require no further lubrication. However, periodic cleaning/vacuuming of the fan/heater unit is recommended.



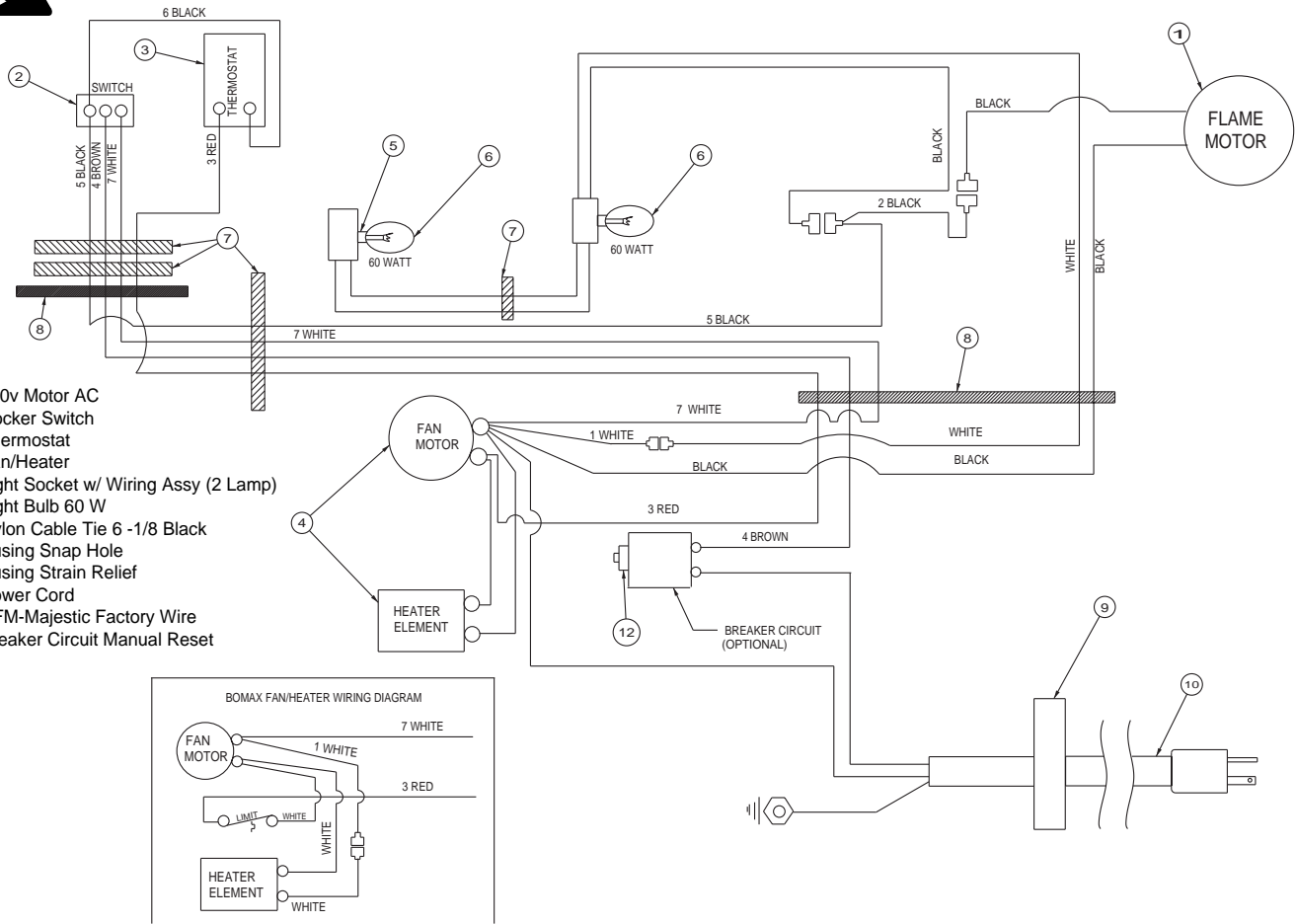
WARNING: Make sure that the power is turned off before proceeding.

ELECTRICAL WIRING DIAGRAM

Any electrical repairs or rewiring of this unit should be carried out by a licensed electrician in accordance with national and local codes.



If repairing or replacing any electrical component or wiring, the original wire routing, color coding and securing locations must be followed.



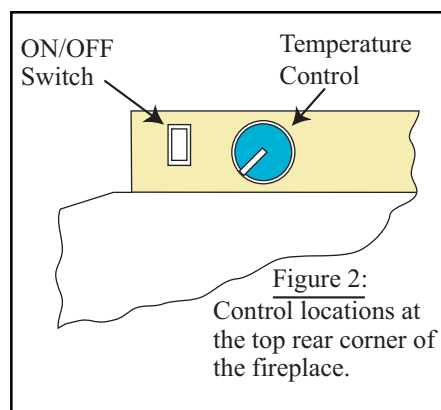
1. 120v Motor AC
2. Rocker Switch
3. Thermostat
4. Fan/Heater
5. Light Socket w/ Wiring Assy (2 Lamp)
6. Light Bulb 60 W
7. Nylon Cable Tie 6 -1/8 Black
8. Busing Snap Hole
9. Busing Strain Relief
10. Power Cord
11. CFM-Majestic Factory Wire
12. Breaker Circuit Manual Reset

OPERATING INSTRUCTIONS

MAIN ON/OFF SWITCH

The On/Off switch supplies power to all of the functions of the fireplace. It is located on the top of the firebox at the rear of the unit.

WARNING: During any service of this appliance, the power to the unit must be turned off. It is not acceptable to use the "On/Off" switch to meet this requirement.

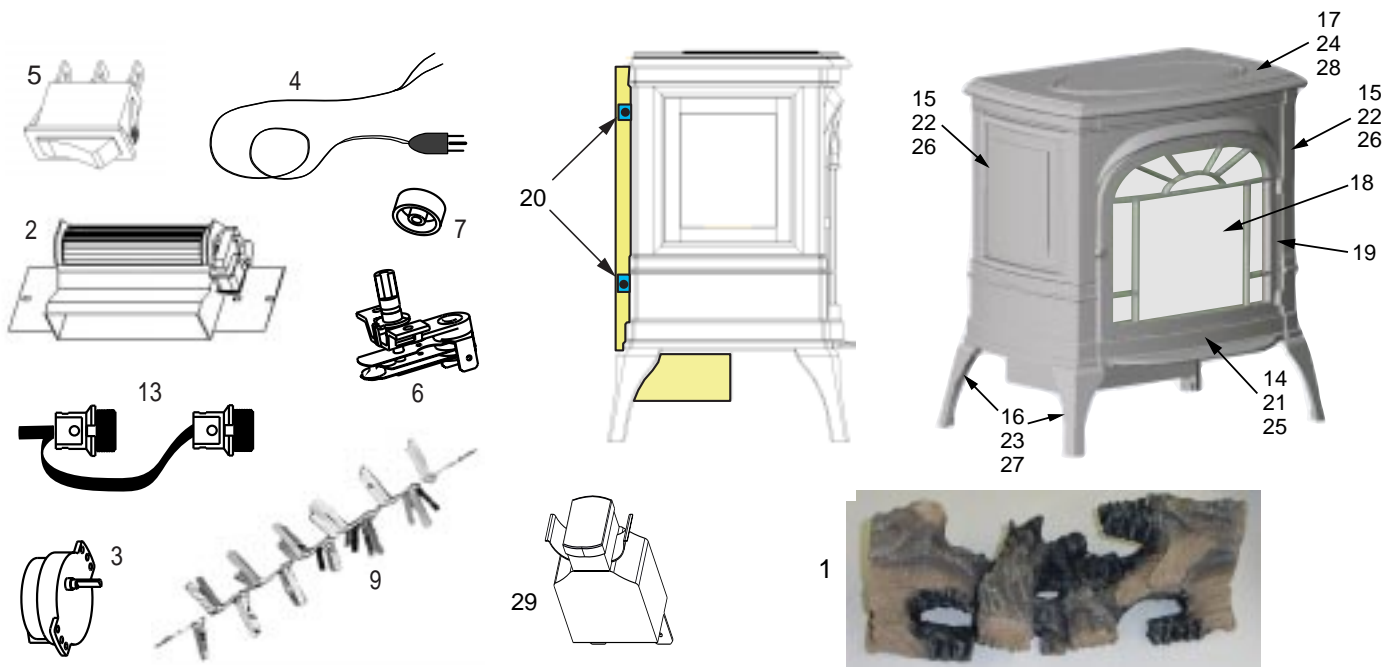


HEATER CONTROL

The Heater Control acts to turn the heater on and off as well as setting the comfort level in the room. Turning the knob clockwise from the off position will place the heater into operation. The further the knob is rotated clockwise, the higher the set point temperature. Turning the knob counterclockwise will lower the set point temperature. Turning it all the way counterclockwise will turn the heater function off.

REPLACEMENT PARTS LIST

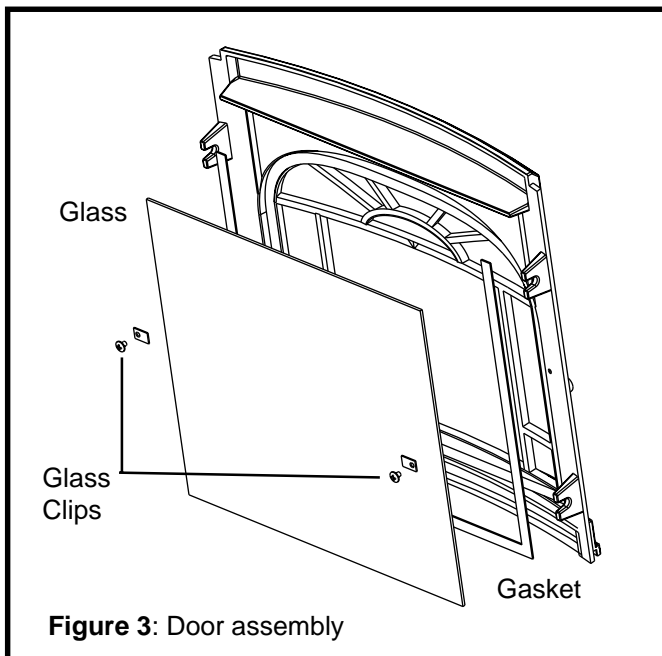
Item #	Part Description	Part Number
1	Log Set	10003645
2	Fan/Heater Assembly	10002175
3	Flame Generator Motor-120 Volt AC w/Terminal	10003587
4	Cord Power 16/3 HPN w/Terminals	10003095
5	ON/OFF Switch	10001393
6	Heater Control (Thermostat)	10001971
7	Heater Control Knob	10001639
8	Door Glass, with gasket (not shown)	0003442
9	Flame Generator Assembly	10003566
10	Light filter (Ember Bed) (not shown)	10002159
11	Light Diffuser (rear screen) (not shown)	10002150
12	Tinted Screen (not shown)	10002151
13	Light Bulb Socket w/Wiring Assembly	10003568
14	Front - Addison	30000621
15	End, Right/Left - Addison	30000622
16	Leg - Addison	30000623
17	Top - Addison	30000624
18	Glass - Addison	30000664
19	Gasket, 3/4" Flat Window - Blk	30000776
20	Mounting Bracket	10003524
21	Front - Addison - Mdnt	30000787
22	End, Right/Left - Addison - Mdnt	30000788
23	Leg - Addison - Mdnt	30000789
24	Top - Addison - Mdnt	30000790
25	Front - Addison - Fgrn	30000791
26	End, Right/Left - Addison - Fgrn	30000792
27	Leg - Addison - Fgrn	30000793
28	Top - Addison - Fgrn	30000794
29	Breaker Circuit Manual Reset	10003093



DOOR GLASS REPLACEMENT INSTRUCTIONS

1. Unplug the electrical supply to the unit.
2. Let the fireplace cool if it has been operating.
3. Move the fireplace away from the wall to gain access to the rear of the unit.
4. Locate the firebox mounting brackets on the side of the firebox. Remove the screws securing the firebox to the mounting brackets (Figure 1).
5. Remove firebox by sliding it rearward out of the casing.
6. Gently place firebox on its back on the floor.
7. Locate the glass clips on the inside surface of the front casting. Remove the glass, and clear the area of any glass fragments (Figure 3).
8. Secure new glass (with gasket) to the inside surface of the front casting, reversing the process above, making sure the glass is placed with gasket covering the bottom and sides of the glass. (Figure 3).
9. Reinstall firebox into casing, by reversing steps 1 through 6.

Door Glass Replacement Parts	
Glass - Addison	30000664
Gasket, 3/4" Flat Window-Blk	30000776
Clip	1601396
Knob, Therm-Maple	1600660
Stub, Control Door	1601981



Free Manuals Download Website

<http://myh66.com>

<http://usermanuals.us>

<http://www.somanuals.com>

<http://www.4manuals.cc>

<http://www.manual-lib.com>

<http://www.404manual.com>

<http://www.luxmanual.com>

<http://aubethermostatmanual.com>

Golf course search by state

<http://golfingnear.com>

Email search by domain

<http://emailbydomain.com>

Auto manuals search

<http://auto.somanuals.com>

TV manuals search

<http://tv.somanuals.com>