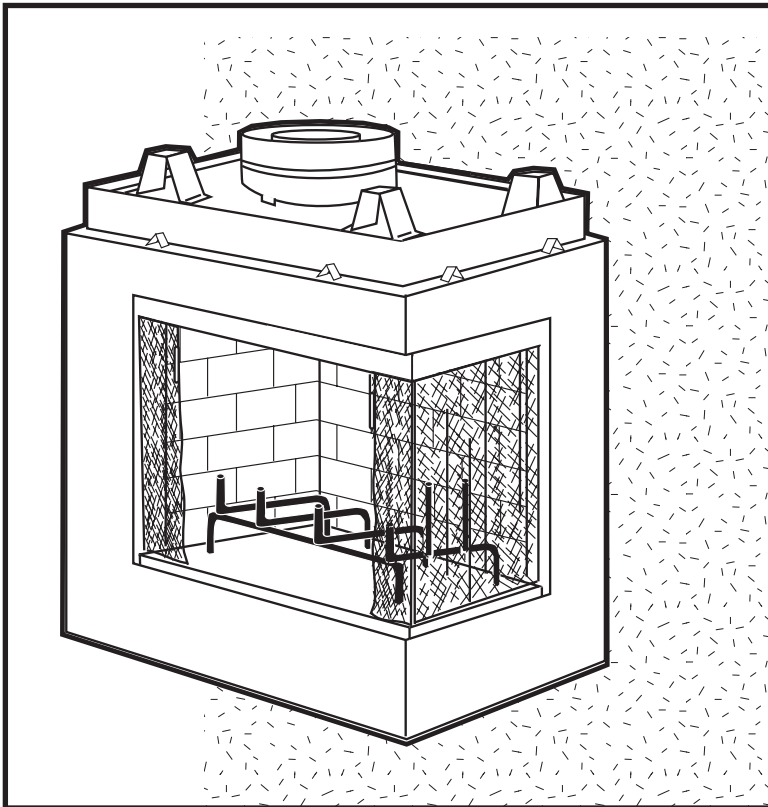




# CR Series

## Corner Woodburning Fireplace



Homeowner's Installation  
and Operating Manual

For Models:  
**CR36R**  
**CR36L**



For use in U.S./Canada  
Underwriter's Laboratories  
Report No. MH6018

NATIONAL  
FIREPLACE  
INSTITUTE



[www.nficertified.org](http://www.nficertified.org)

We recommend that our woodburning hearth products be installed and serviced by professionals who are certified in the U.S. by the National Fireplace Institute® (NFI) as NFI Woodburning Specialists or who are certified in Canada by Wood Energy Technical Training (WETT).



**DO NOT DISCARD THIS MANUAL: Retain for future use.**

20001316 3/06 Rev. 13

## Safety Information

**PLEASE READ THIS MANUAL BEFORE INSTALLING AND USING FIREPLACE.**

**IMPORTANT:** Read all instructions and warnings carefully before starting installation. Failure to follow these instructions may result in a possible fire hazard and will void the warranty.

### Description

The CR36R/L Series fireplaces are multi-sided solid fuel, woodburning fireplaces. These are radiant models only and include a preinstalled outside air kit.

### Precautions

CFM Corporation fireplaces and component parts have been highly tested and will operate safely when installed in accordance with instructions provided in this manual. Carefully read and understand all instructions **before** beginning installation.

If you notice any damage to fireplace or component parts, immediately report damage to your Majestic Fireplaces dealer.

Only use CFM Corporation components or the warranty will be voided and a fire hazard may be created.

CFM Corporation warranty will be voided by and CFM Corporation disclaims any responsibility for the following actions:

- **Installation of any damaged fireplace or chimney component;**
- **Modification of fireplace, chimney assembly or any component parts thereof;** (except for chase flashings as detailed in the Chimney Top installation instructions).
- **Installation other than as instructed by CFM Corporation; or**
- **Installation and/or use of any component part not manufactured or approved by CFM Corporation in combination or assembly with a CFM Corporation fireplace system, notwithstanding any independent testing laboratory or other third party approval of such component parts or accessory.**

**Any such action may possibly cause a fire hazard.**

Consult local building codes to ensure that you are in compliance **before** installing the fireplace.

Fireplaces must be vented to the out-of-doors.

**Do not obstruct or modify air inlets/outlets in any manner.**

**Do not install combustible materials on any of the black fireplace surround.**

**Burn only solid wood fuel or gas logs.**

**Do not install a solid fuel burning insert or other products not specified for use with this fireplace.**

**Proposition 65 Warning:** Fuels used in gas, wood-burning or oil fired appliances, and the products of combustion of such fuels, contain chemicals known to the State of California to cause cancer, birth defects and other reproductive harm.

California Health & Safety Code Sec. 25249.6

**WARNING: Check with your electronics manufacturer before installing a television or other electronic device above this fireplace.**

### Drafts

The fireplace should not be located in areas that create drafts (ie: frequently opened doors and central heating air inlets/outlets) that hamper the normal flow of air into the fire.

### Gas Logs

If you plan to install a gas log, the gas line should be installed **before** framing the fireplace. The gas line must be installed by a certified gas line installer.

**CR36R / CR36L  
Listed**

**UL / ULC-S610  
Standard for Factory Built Fireplaces**

Units: FG10R7, FG10R8

## Table of Contents

Safety Information .....	2
Specifications and Framing .....	3
Parts Identification .....	4
Chimney Requirements .....	5
Planning Information .....	6
Installation .....	7
Replacement Parts .....	17
Accessories .....	18

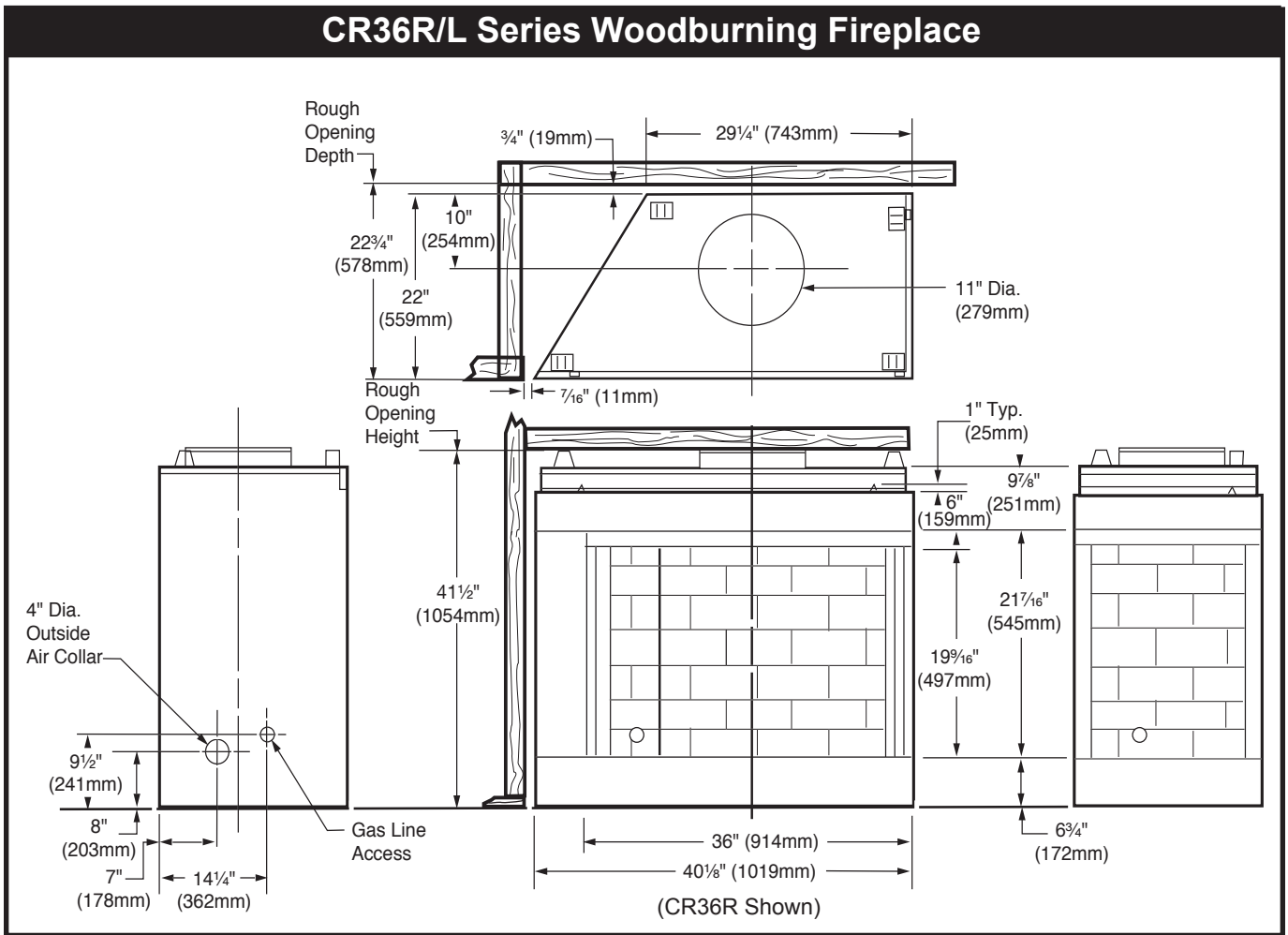


Fig. 1 CR36R/L Series specifications and framing.

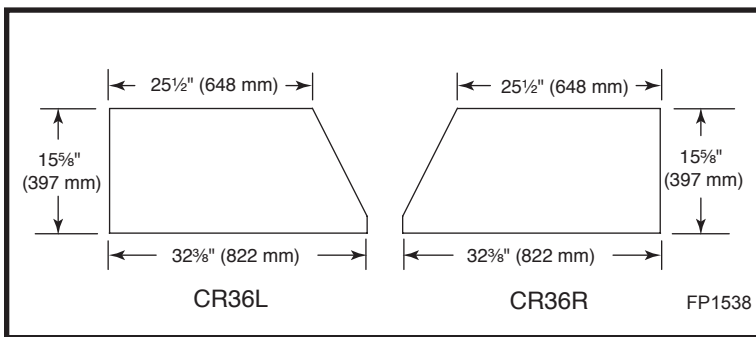
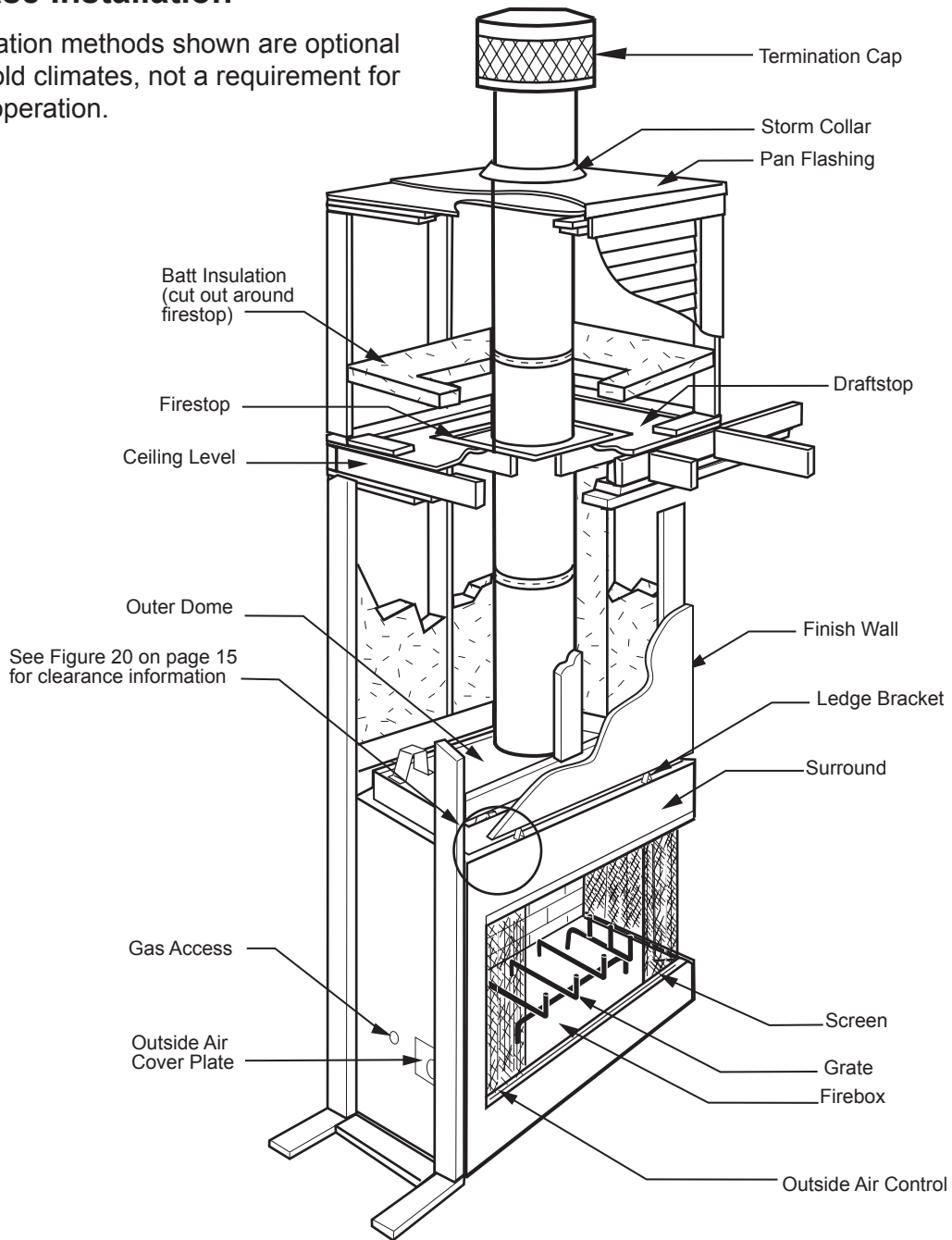


Fig. 1a CR36R/L hearth dimensions.

## Chase Installation

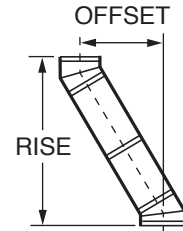
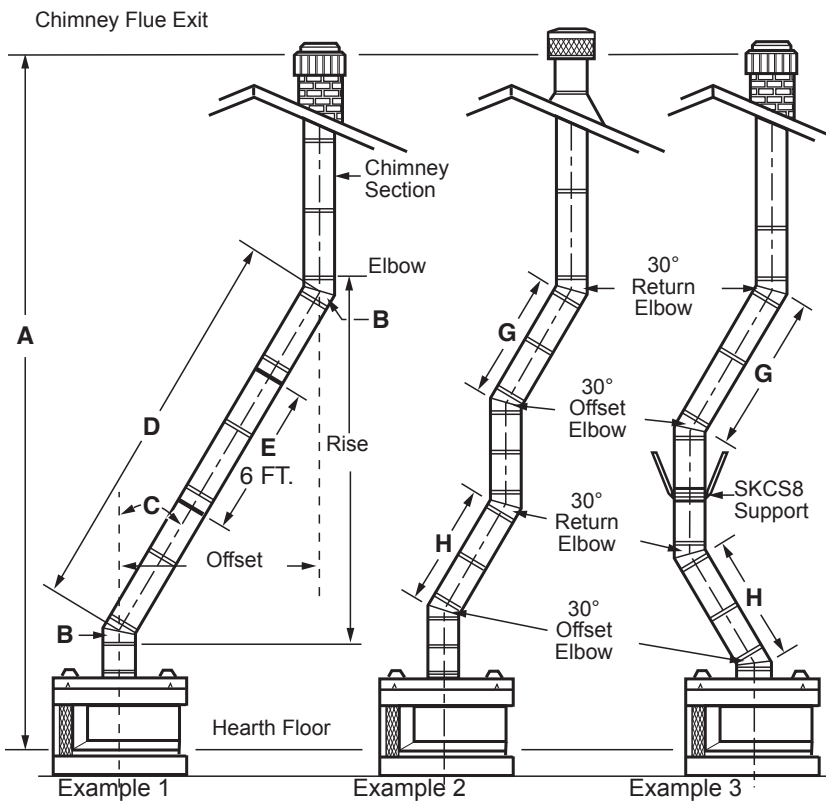
Insulation methods shown are optional for cold climates, not a requirement for unit operation.



FP704CR

Fig. 2 Fireplace and chase parts identification.

## Chimney Requirements - Offset Installations



FP282

### 30° Elbow Offsets

1'	1½'	3'	4'	Chimney Support	Offset	Rise
0	0	0	0	0	3"	11"
1	0	0	0	0	8¼"	20"
0	1	0	0	0	11¼"	25¼"
2	0	0	0	0	13½"	29¼"
1	1	0	0	0	16½"	34¼"
0	0	1	0	0	20¼"	40¾"
2	1	0	0	0	21¾"	43½"
0	0	0	1	0	26¼"	51¼"
0	1	1	0	0	28½"	55¼"
1	0	0	1	0	31½"	60¼"
0	1	0	1	0	34½"	65½"
0	0	2	0	0	37½"	70¾"
1	1	0	1	1	41½"	77¾"
0	0	1	1	1	45"	83¾"
0	1	2	0	1	47¼"	87½"
0	0	0	2	1	51"	94"
0	1	1	1	1	53¼"	98"
0	0	3	0	1	56¼"	103¼"
0	1	0	2	1	59¼"	108½"
0	0	2	1	1	62¼"	113½"
0	1	3	0	1	64½"	117½"
0	0	1	2	1	68¼"	124"
0	1	2	1	1	70½"	128"
0	0	0	3	1	74¼"	134½"
0	1	1	2	2	78"	140¾"
0	0	3	1	2	81"	146"
0	1	0	3	2	84"	151¼"
0	0	2	2	2	87"	156½"
0	1	3	1	2	89¼"	160¼"
0	0	1	3	2	93"	166¾"
0	1	2	2	2	95¼"	170¾"
0	0	0	4	2	99¼"	177¾"
0	1	1	3	2	101¼"	181¾"
0	0	3	2	2	104¼"	186¼"
0	1	0	4	2	107¼"	191½"
0	0	2	3	2	110¼"	196¾"
0	1	3	2	3	114"	203¼"
0	0	1	4	3	117¾"	209¾"
0	1	2	3	3	120"	213½"
0	0	0	5	3	123¾"	220"

NOTE: G + H Cannot Exceed 20'

FP269CR

### Illustration Key

The following safety rules apply to offset installations. (The letters correspond with letters above):

A. Height of the chimney measured from the hearth to the chimney exit at top:

CR36L/R Series

Maximum: 90'0"

Minimum:

Without elbows 14' 0"

With 2 elbows 15' 0"

With 4 elbows 21' 0"

B. Do not use more than four elbows per chimney.

Attach the straps of the top elbows to a structural framing member.

The first elbow of any pair does not have straps.

C. The chimney cannot be more than 30° from the vertical plane.

D. The maximum length of the angled run of the total chimney system is 20 feet. (G plus H cannot exceed 20 feet)

E. A chimney support (Model SKCS8) is required every 6 feet of angled run of chimney. Chimney supports are required at 30 feet and 60 feet of chimney height above the hearth also.

Determine the offset distance of your chimney arrangement from the centerline of the fireplace to the centerline of the chimney where it is to pass through the first ceiling.

**NOTE:** This offset distance may not be your full offset distance. See Examples 2 and 3.

Fig. 3 Chimney system requirements.

## Planning Information

Preplanning an installation is very important to ensure safety and to save time and money. An installer must predetermine where a fireplace will be set and how the chimney system will be run.

### Mounting the Fireplace

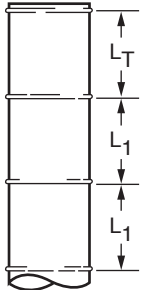
A fireplace may only be mounted on the following surfaces:

1. A flat combustible surface.
2. A raised wooden platform.
3. A concrete block or other solid object placed beneath each of the four (4) corners of the fireplace.

The fireplace **must** be spaced 3/4 inch from a combustible back wall and 7/16 inch from a combustible side wall or support. (Fig. 17, Page 12)

### Planning the Chimney Run

Determine how the chimney will be run, length of run and chimney components required to complete the job. (Fig. 3) **Never** install a chimney below minimum heights.



MODEL SK 2 WALL CHIMNEY	TOTAL LENGTH (L <sub>T</sub> )	INSTALLED LENGTH (L <sub>1</sub> )
SK81	11½"	10½"
SK818	17½"	16½"
SK83	35½"	34½"
SK84	47½"	46½"

Fig. 4 Installed lengths of chimney sections.

In planning a chimney system, it is important to know:

1. The height of a chimney is measured from the hearth to the exit point on the termination.
2. A chimney cannot be offset more than 30° from a vertical plane.
3. A chimney may run straight up or it may be necessary to offset it to avoid obstructions.
4. The maximum length of an angled run (total chimney system) is 20' (6m).
5. No more than 2 offsets (4 total 30° elbows in U.S./or 2 total 45° elbows in Canada) per fireplace may be used.
6. A guy wire stabilizer is required for chimneys extending more than 6' (1.8m) above a roof line.

### The Ten Foot Rule

Major U.S. building codes specify a minimum chimney height above the roof top. The "Ten Foot Rule" is a fire safety rule and not a draft rule. To ensure proper draft, it is recommended that you always meet or exceed the "Ten Foot Rule," especially when installing a termination on a high pitch roof. (Fig. 5)

The key points of the "Ten Foot Rule" are:

1. If the horizontal distance from the chimney to the peak of the roof is 10' (3m) or less, the top of the chimney must be at least 2' (610mm) above the peak of the roof, but never less than 3' (914mm) in height above the highest point where it passes through the roof.
2. If a horizontal distance from the chimney to the peak of the roof is more than 10' (3m), a chimney height reference point is established on the surface of the roof a distance of 10' (3m) from the chimney in a horizontal plane. The top of the chimney must be at least 2' (610mm) above the reference point, but never less than 3' (914mm) in height above the highest point where it passes through the roof.

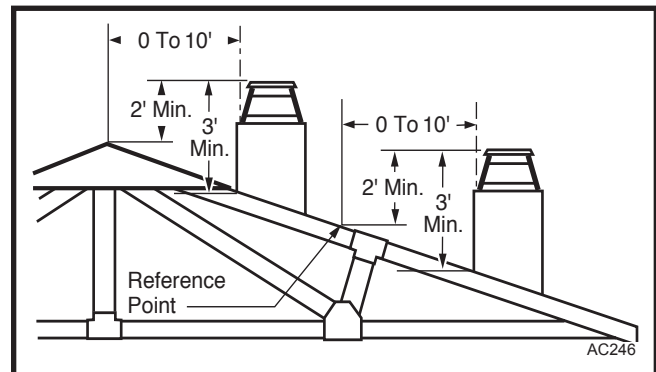


Fig. 5 Ten Foot Rule illustration.

### Chimney Supports

The chimney system is supported by the fireplace for vertical chimney heights less than 20' (6m) above the hearth. Chimney supports are required if the vertical height exceeds 20' (6m). Locate chimney supports at ceiling holes or other structural framing at 20' (6m) heights. Spacing between chimney supports **must not** exceed 20' (6m). Use Chimney Support Model SKCS8 for SK8 chimney, and Model 11CS for 11CF chimney. **(Note: the chimney support can not be mounted directly to the fireplace.)** Support provided by elbow straps fulfills the support requirement only if they are spaced as previously described. (A chimney support is 2½" (64mm) long when installed.)

Angled chimney runs require a support every 6' (1.8m) in addition to the elbow straps. Chimney supports are used for this function. (Fig. 6)

### Chase Installation

A chase is a vertical box-like structure which encloses the fireplace and/or chimney. Chases are typically built on the outside of the house with fireplace opening cut into the outer wall of a room. (Page 4, Fig. 2)

If you need help in determining fireplace location or how the chimney system should be run, contact your Majestic Fireplaces dealer for assistance.

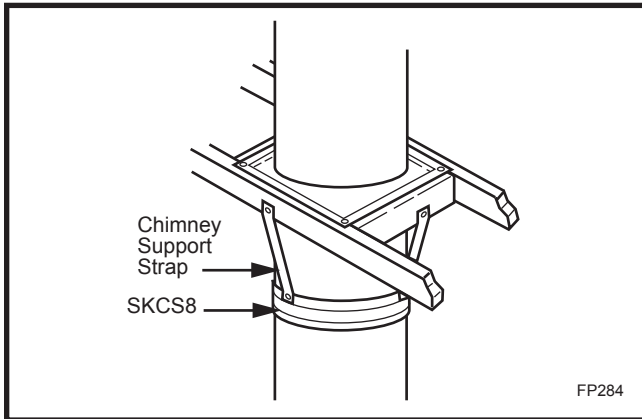


Fig. 6 Chimney support installation.

## Installation

### Insulating Fireplace Enclosure For Cold Climates

If you live in a cold climate, it is not required but **highly recommended** that you insulate fireplace enclosure to eliminate cold air penetration as much as possible.

Insulate base of fireplace with a non-combustible insulation rated for a minimum of 300°F. Insulating is **very important** for outside wall installations over a concrete slab. If fireplace is installed on a platform, insulation should be placed on top of the platform **before** fireplace is set. (Fig. 7)

When a fireplace is installed in a chase or on an outside wall, enclosure should be treated like any outside wall in a home. Insulation should be installed on the inside wall as well as the outside wall(s). In a chase, it is also a good idea to install a firestop at the first ceiling level above the fireplace and enclose the chase with sheeting material. Insulation may then be installed above sheeting material to assure the space around the fireplace is totally protected. (Fig. 2)

When installing the chimney, **DO NOT** caulk between outer pipe and firestop. It is vital that some air be allowed to flow through this very thin gap.

**CAUTION: WHEN INSTALLING A FIREPLACE IN AN INSULATED ENCLOSURE, BE SURE ALL REQUIRED AIR SPACES ARE MAINTAINED. (Page 12, Fig. 17)**

## Framing

Framing can be constructed before or after the fireplace is set in place, however, most installers build the frame before setting the fireplace.

Frame fireplace with 2 x 4 lumber or heavier materials. Refer to framing dimensions in Figures 1 or 2 for basic fireplace specifications. Headers and support studs must be turned on end as illustrated in Figure 2, Page 4.

**NOTE:** Framing should be positioned to accommodate wall covering and fireplace facing material.

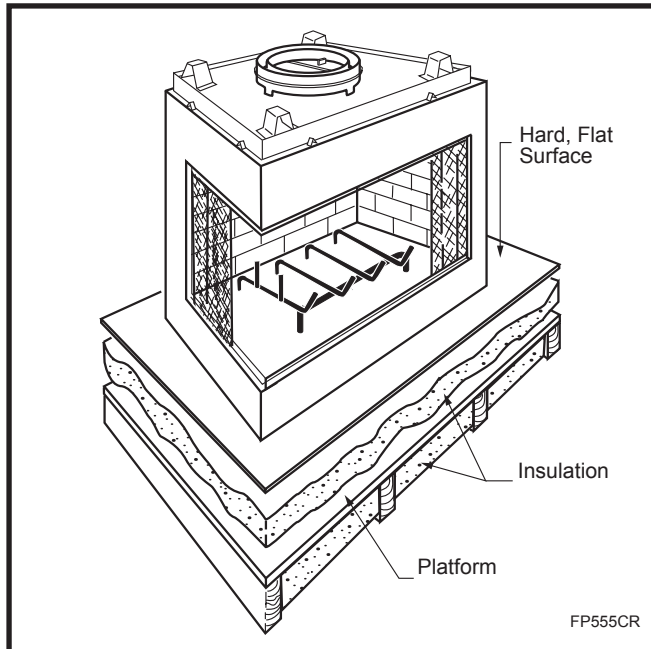


Fig. 7 Insulation between platform and fireplace.

## Chimney Set-up

Since you have already preplanned the chimney run, you should know exactly how the installation is to be accomplished — how much pipe is required, the number of elbows, if any, and type of termination to be used.

**CAUTION: REPORT TO YOUR DEALER ANY PARTS DAMAGED IN SHIPMENT, SPECIFICALLY CHECK THE END CONNECTION OF CHIMNEY SECTIONS AND ELBOWS.**

### Straight-Up Chimney Installation

To locate the centerline of the flue put the fireplace in final position and place a plumb bob from the ceiling to the center of the fireplace flue collar. Mark this spot on the ceiling. Draw a line through that mark to either side of the firebox and indicate dimension X to locate the side wall framing. (Fig. 8) Be sure to observe clear-

ance requirements for side and parallel combustible walls as noted in Figure 20, Page 15.

## Offset Installation

In order to clear an obstruction, it may be necessary to offset chimney from vertical. This is accomplished by using CFM Corporation elbows. Use the *30° Offset Elbow* table on Page 5 to determine proper offset and parts required.

Each offset requires two (2) elbows. The second elbow is equipped with support straps. It is very important to install the second elbow in each offset as close to the ceiling or support as possible so the elbow straps can be secured to framing members to help support the weight of the chimney.

Determine offset distance of your chimney arrangement from centerline of fireplace to centerline of chimney where it is to pass through ceiling.

Locate center point of the chimney on ceiling as though a straight up chimney arrangement is to be used. Measure your offset dimension from the chimney center point on the ceiling.

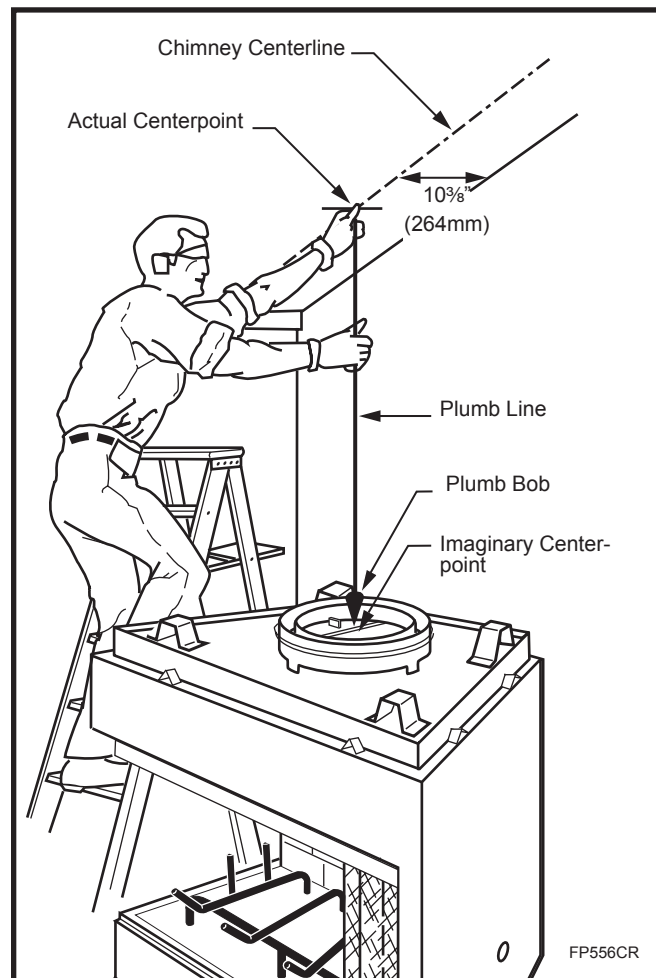


Fig. 8 Locate centerline of chimney with plumb line.



### Ceiling Chimney Hole/ Possible Obstructions

The size of the hole in the ceiling will vary with the angle at which the chimney passes through ceiling. Drive a nail up through ceiling at marked chimney center point. Go to floor above and see where hole will be cut. Check to see where existing ceiling joists and other possible obstructions are located...i.e. wiring, plumbing etc... If necessary, re-position chimney and/or fireplace to avoid obstructions.

### Cutting the Hole

Cover fireplace collar opening and cut proper sized chimney hole in chimney. The SK8 pipe allows you to run pipe through a typical 16" on center joist without cutting joists.

### Framing the Ceiling Hole

Frame the ceiling chimney hole as shown in Figure 10. It is good practice to use framing lumber that is the same size as the ceiling joists; this is a requirement at attic level.

Size of Chimney	Angle of chimney at ceiling	
	Vertical	30°
8" Flue	14½ x 14½ (368 x 368mm)	14½ x 25½ (368 x 648mm)

Fig. 9 Ceiling chimney hole sizes necessary for installing firestop spacer.

The **inside dimension** of the frame **must be** the same as the hole size selected from Figure 10 in order to provide the required 1½" air space between the outside diameter of the chimney and the edges of the framed ceiling hole.

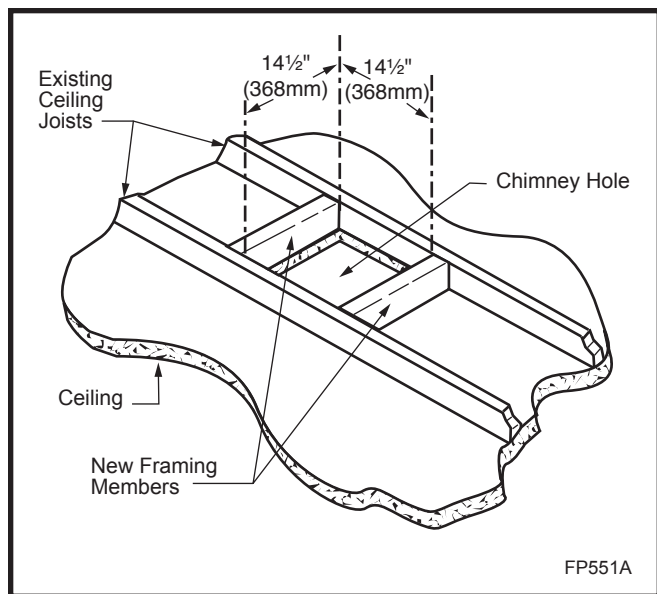


Fig. 10 Typical frame for ceiling chimney hole

### Positioning, Safety Strips, Securing the Fireplace

Slide fireplace into position.

Lift the fireplace front slightly and slide the metal safety strips under front bottom edge about 1½" (38mm), allowing the remainder to extend in front of firebox. Overlap strips at least 1/2" (13mm) to provide a positive joint. (Flat safety strips are packed with fireplace.) (Fig. 11)

Safety strips are used to ensure that any combustible materials in front of the fireplace are protected even though a noncombustible hearth extension is required.

If fireplace is to be elevated above the floor, a "Z" shaped metal safety strip must be fabricated and used to protect combustible surfaces in front of the fireplace. This "Z" shaped safety strip is not provided but must be fabricated of metal with each horizontal leg at least 1½" (38mm) wide and equal in length to the metal strips provided with the fireplace.

**NOTE:** Safety strips are not required over noncombustible floors where all supports at the base of the fireplace are noncombustible.

### Outside Air Kit

An outside air kit damper is installed in all CR36L/R Series Fireplaces. If desired, or if local codes mandate the use of an air kit, then an AK-MST is required to complete the installation (from air kit to the outdoors). If the outside air kit is to be used, the AK-MST Air Termination Kit **MUST** be installed **BEFORE** the fireplace is enclosed. Refer to the AK-MST instructions for field installation. **NOTE:** Outside air control knob can be found in screen bag.

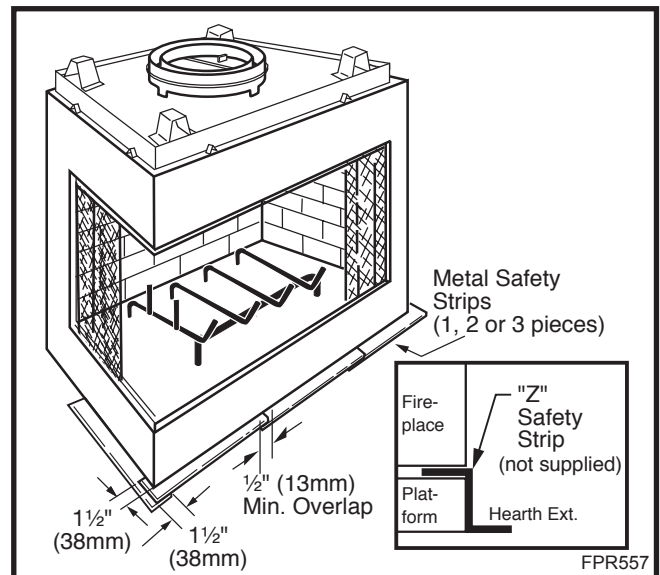


Fig. 11 Safety strip installation.

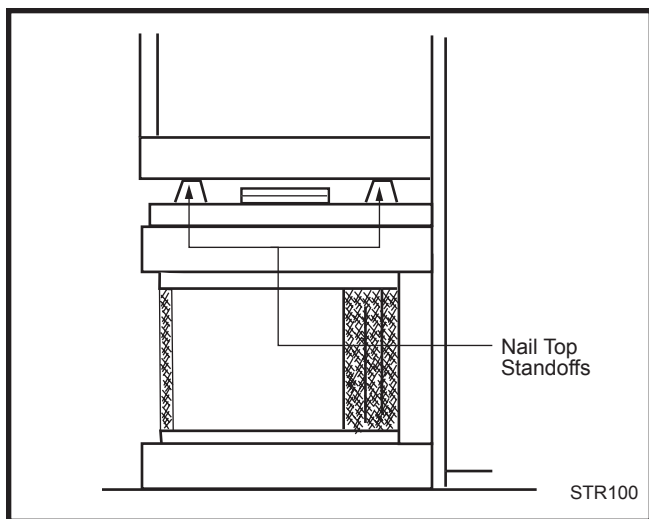


Fig. 12 Fasten fireplace in position.

### Installing the Chimney System

Start by attaching the first chimney section to the collar on top of the fireplace.

Install the pipe as pictured in Figure 13. When you get a good lock, you will hear the pipe clearly snap together. Once sections are snap-locked in place, it is extremely difficult to get them apart. **Make sure the pipe is firmly snapped and locked together as each pipe section is mounted.**

When installing elbows, only outer pipe will snap-lock. Middle pipes simply slide into position. Be sure to always attach straps on upper elbow to a structural framing member. (Fig. 14)

Continue installing the pipe as required until pipe is installed up through the ceiling. At this point, you must install a firestop spacer. Refer to Figure 15 for appropriate spacer orientation.

### Installing the Firestop Spacer in the Ceiling Hole

A firestop spacer is used to keep pipe spaced properly and required for safety.

Nail the firestop spacer (at each corner) to the framing members of the ceiling hole. **NOTE:** A firestop spacer is not required at the roof.

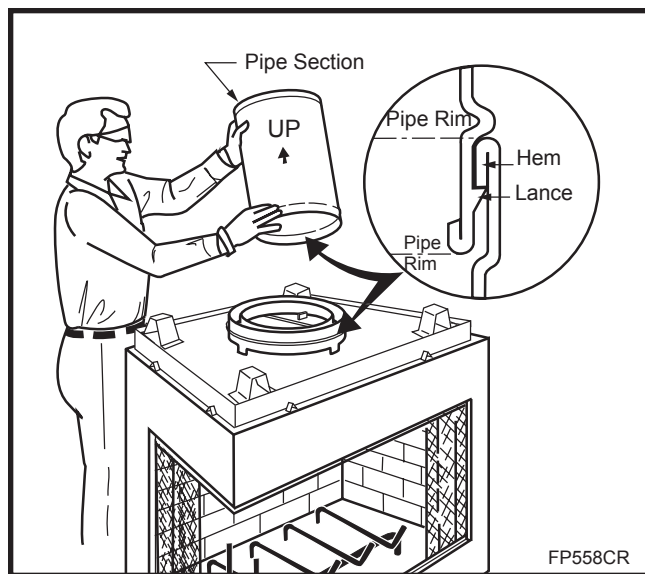


Fig. 13 Install pipe, listening for the snap-lock to fasten.

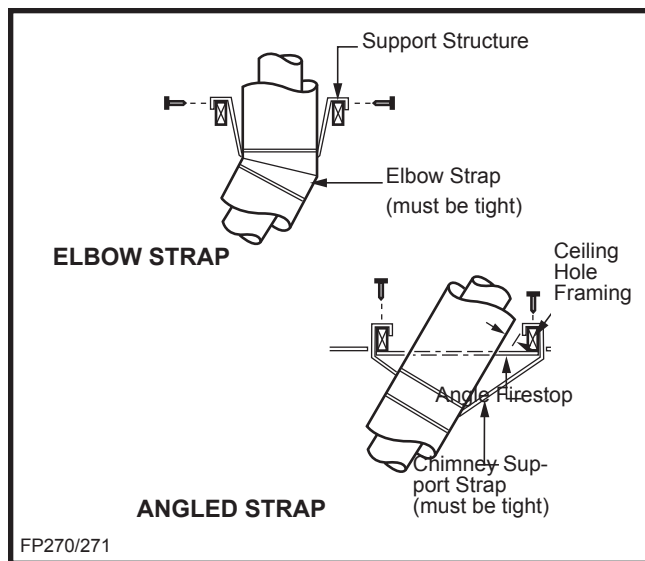


Fig. 14 Attach straps to a structural framing member.

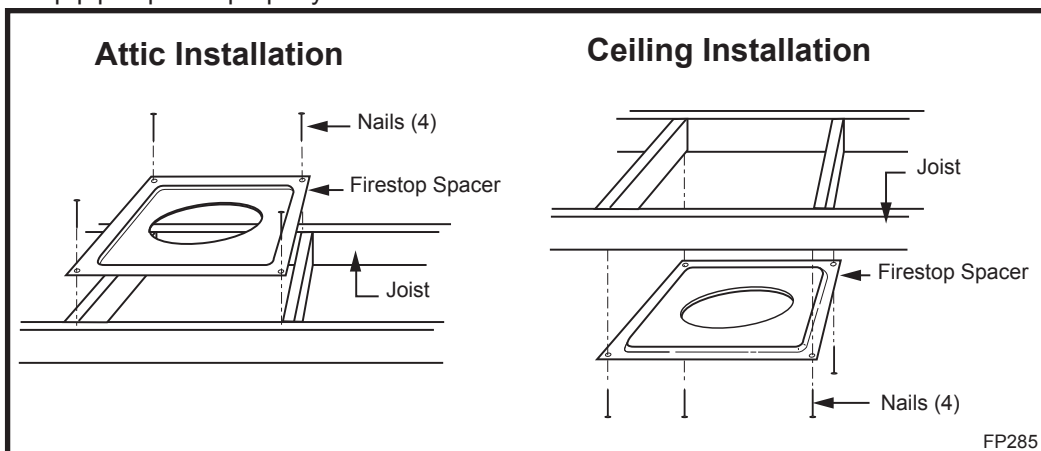


Fig. 15 Installing firestop spacer.

Hole sizes listed in Figure 10 for angled firestop spacers provide minimum required air space to chimney pipe for ceiling thickness up to 8" (203mm). When combined thickness of ceiling material, ceiling joists and flooring material exceeds 8" (203mm), adjustments must be made in framing to assure that minimum air spaces to chimney are maintained.

### Proper Firestop Spacer Installation

Page 10, Figure 15 shows different installation procedures for both an area that *is* an attic and an area that *is not* an attic.

If the area above the ceiling **is not** an attic, position the firestop spacer with the flange on the ceiling side and the angled portion extending up into the hole.

If the area above the ceiling **is** an attic, position the firestop spacer with the flange on the top of the framed hole and the angled portion extending down into the hole.

Firestop spacers are not available for, nor are they required on vertical walls.

**DO NOT** put any sealant around the area where the outer pipe slides through the firestop spacer. If you seal this area, **it may cause a fire hazard.**

### Canadian Requirements for Insulation Shield

In Canada, an attic insulation shield is required to prevent attic insulation from contacting the chimney section. Framing dimensions for the chimney hole should measure 14½" x 14½" (368 x 368mm) (SK8). An attic shield **MUST** be installed on top of attic joists (above the floor level). (Fig. 16)

Install the attic insulation shield with the flanges on its base extending down into the framing hole. Nail each corner of attic insulation shield to the framing members of the ceiling hole using 8d nails. Attic shields are not required at the roof.

### Continue Installing Pipe to Complete Run

Continue attaching pipe sections to complete system to next level always being careful the pipe is firmly snapped locked in place before proceeding to next pipe section.

### Chimney Supports

If chimney supports are required, they are installed the same as elbows. Nail chimney support straps to adjacent structural framing, as shown on Page 7, Figure 6. Bend straps as necessary and make sure they are secure so they will support the weight of the chimney. A chimney support is 2½" (64mm) long when installed. Consider this dimension when determining how many straight chimney sections are needed.

**Note:** Chimney supports are generally used in long runs in a chase installation. **A chimney support cannot be mounted directly to the fireplace.**

### Additional Ceilings

If you encounter additional ceilings, repeat same steps required for first ceiling installation. Refer to firestop illustration on Page 10, Figure 15.

### Penetrating the Roof

Run pipe to roofline. Since chimney system must be vented to the out-of-doors, you **must** use an approved termination.

If a chase is used, refer to the installation manual provided with the termination cap.

### Locate Chimney Centerpoint On Roof

Use same procedure detailed in locating center point of the flue system.

Drive a nail up through roof at the center point. This will determine center point on outside of the roof.

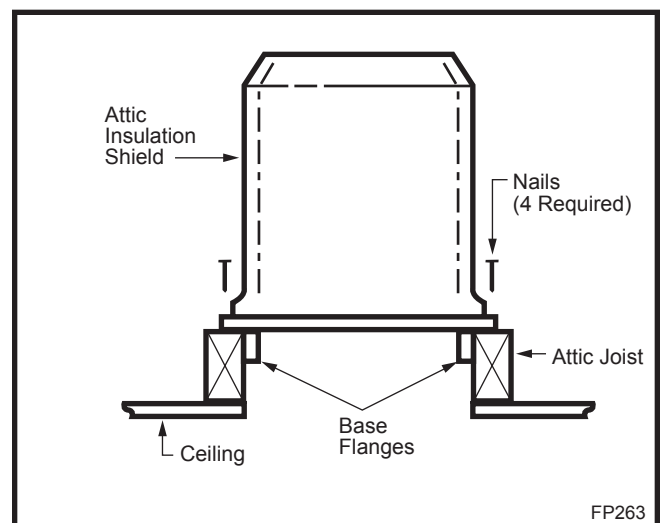


Fig. 16 Attic shield installation (Canadian requirement).

### Cut and Frame Roof Hole

Size of roof hole varies with the type of chimney termination installed. Refer to installation instructions provided with the chimney termination to find correct size of roof hole.

There must be an air space (1½" (38mm) with SK8 ) between outermost portion of chimney sections and any adjacent combustible surfaces. (Fig. 17) (Combustible surfaces include burnable materials such as: ceiling members, joists, flooring, combustible insulation and roof structures.)

**WARNING: Do not pack required air spaces with insulation or other materials.**

Mark an outline of the roof hole around the center of the point nail. **NOTE:** Hole dimensions given in the chimney top installation instructions are **horizontal** dimensions; therefore, the hole size must be marked on the roof accordingly.

Cover the opening of the installed chimney so debris cannot get into the system.

Cut and frame the hole. It is good practice to use framing lumber that is the same size as the rafters. Install the frame securely because the chimney top and flashing anchored to the frame must be able to withstand heavy winds.

### Install Remainder of Chimney Sections

Since you have already preplanned the height of your termination according to the *Ten Foot Rule*, continue to install pipe to the predetermined height.

Check the chimney top installation instructions for details on how high above the roof top the chimney sections (all pipes) should extend.

### Installing Top Housing or Termination

Follow the installation instructions provided with the CFM Corporation chimney termination you have selected.

### Installing Chimney In a Chase

Refer to Page 4, Figure 2 for an illustration of a typical chase installation.

**CAUTION:** Treatment of firestop spacers and construction of chase may vary with type of building. These instructions are not a substitute for local building codes. You **must** check your local building codes to determine specific requirements for your city or state. **NOTE:** Other building materials may be required in addition to CFM Corporation Firestop Spacers.

### Finishing

**CAUTION:** All joints between the finished wall and the fireplace surround (top/sides) must be sealed with noncombustible material to prevent cold air leakage into the room. Only noncombustible material may be applied to the facing of the fireplace surround. (Black painted area) (Fig. 17)

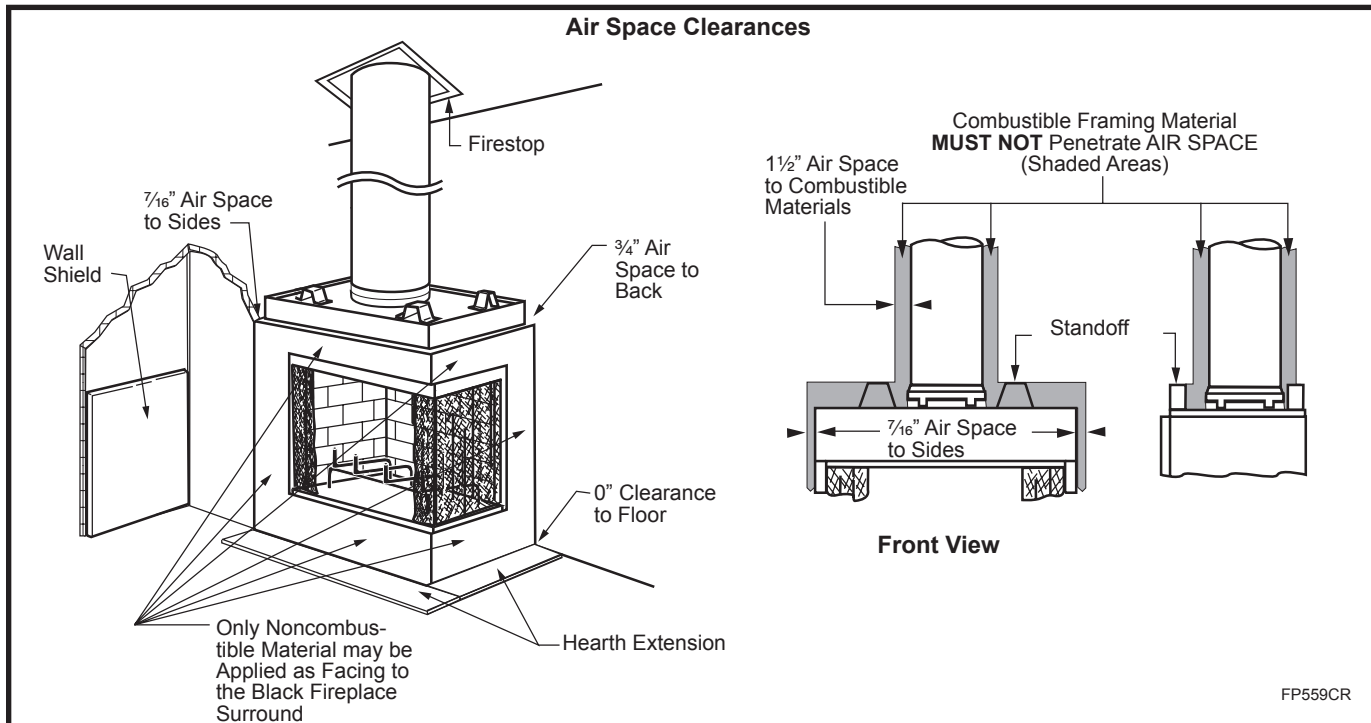


Fig. 17 Minimum clearances to combustibles.

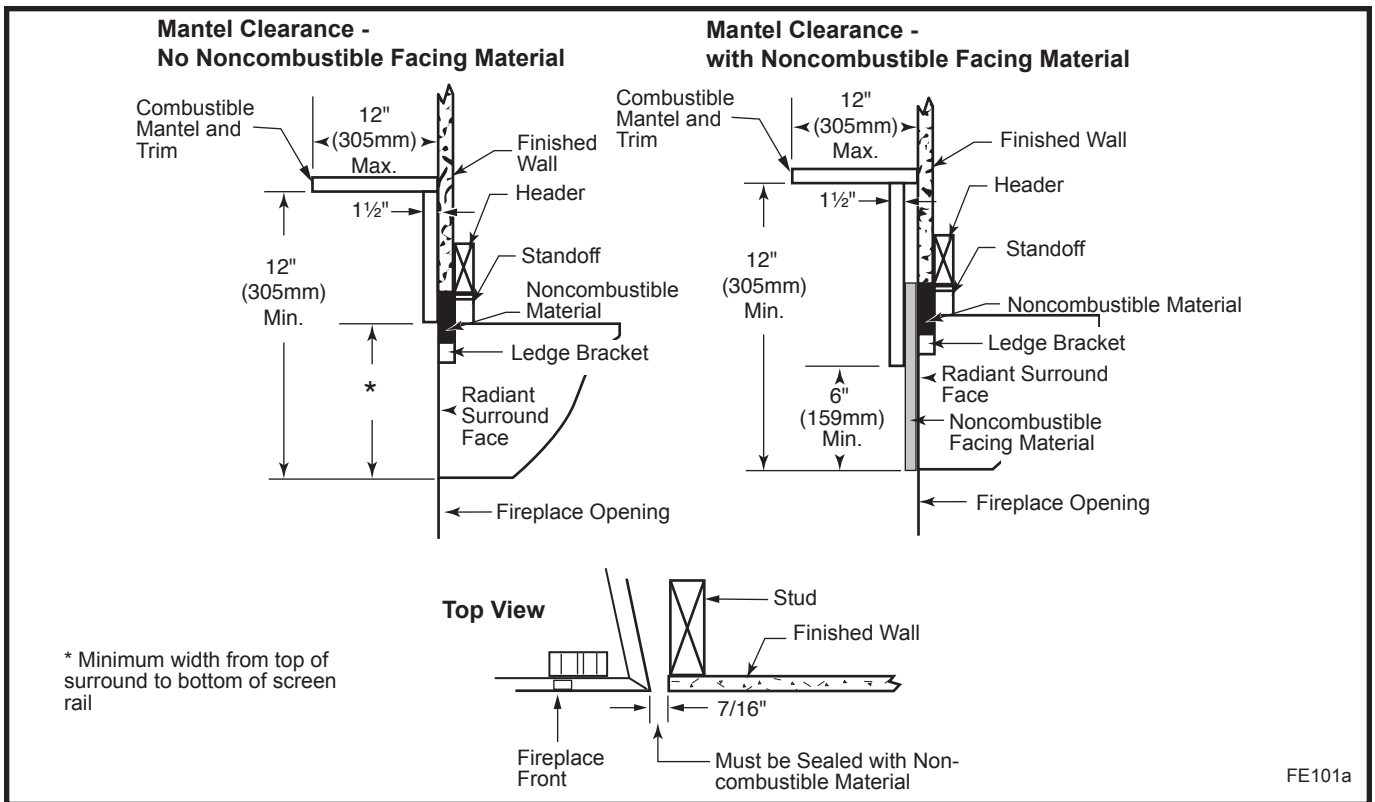


Fig. 18 Fireplace surround flush with finished wall.

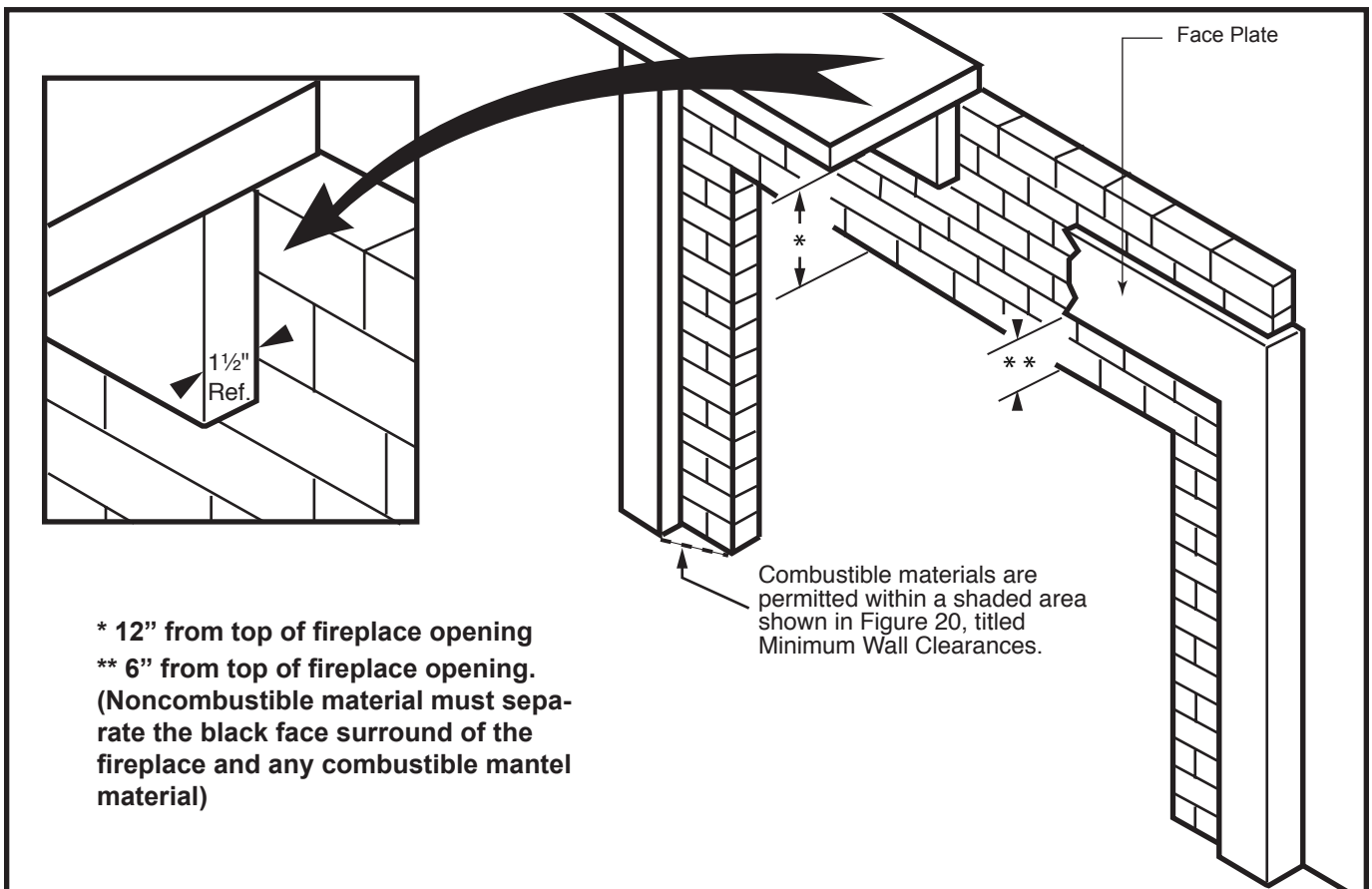


Fig. 19 Combustible mantel clearances.

## Finish Wall

Finish the wall with material of your choice. **Do not install a combustible mantel shelf less than 12" (305mm) from the top of the fireplace opening. Do not install a mantel face plate less than 6" (159mm) from top of fireplace opening. (Fig. 18)** If a combustible material is used below a flat mantel shelf, consult your local building codes for minimum clearance from top of fireplace opening to bottom of mantel shelf.

When finishing the fireplace, a combustible facing material (i.e. drywall or wood paneling) may be installed at the fireplace surround top as shown in Figure 20. This material may rest on the ledge brackets (brackets on the front and side edges of the fireplace), but must NOT be notched to fit around them. (Fig. 20)

All joints (top, bottom and sides), where the wall or decorative facing material meets the fireplace surround must be completely sealed with a noncombustible material. (Fig. 17, 18, 20)

Only noncombustible material may be applied as facing to the black fireplace surround.

**When finishing the fireplace, never obstruct or modify the air inlet grille in any manner.**

**When finishing the fireplace, use the material of your choice. If you decide to cover the fireplace surround, noncombustible materials must be used.**

## Side Wall Protection

All walls constructed closer than 16" (406mm) from the fireplace opening must be protected with CFM Corporation Wall Shield Model SP40 or a built-up wall shield described in Figure 17.

**(ANY PERPENDICULAR SIDE WALL MUST NOT BE CLOSER THAN 40" (1016mm) TO THE OPEN END OF AN OPEN END FIREPLACE.)**

The built-up wall shield design described in Figure 17 is an alternate method for adding protection to side walls and can be used in place of the SP40 with the same wall clearances specified for the SP40.

### EXAMPLES OF INSULATION:

1. Manville - CERAFORM 126, K = .27, 1/2" thick required.
2. CFM Corporation Building Products - EH2416, K = .458, 1" thick required.

## Hearth Installation

A hearth extension is required to protect a combustible floor in front of the fireplace. Refer to Figure 20 for minimum dimensions and mounting detail.

**NOTE: Hearth Extension must not cover the air inlet opening of a fireplace.**

The hearth extension described in Figure 20 must be a durable non-combustible material with a minimum (total) Rt value of 1.09; refer to Figure 21 for examples. The overall height (above a combustible floor), depth and width must be as indicated, with the extension centered to the fireplace opening.

The top of the insulation material must be covered with a noncombustible decorative covering or a piece of .018" minimum sheet metal, to protect hearth extension material. (Fig. 23)

Secure the hearth extension to the floor to prevent shifting, using trim molding or other similar means at three (3) outer edges. Seal crack between the fireplace hearth and hearth extension with a noncombustible material. (Figs. 22,23)

**WARNING: HEARTH EXTENSION MUST BE INSTALLED IN ACCORDANCE WITH FIGURES 20 AND 21.**

Alternate noncombustible materials may be used providing the (total) thermal resistance (Rt value) of the alternate material employed is greater than or equal to  $R = 1.09$ . Thermal resistance (R) or thermal conductivity (K), may be obtained from manufacturer of the material. Factors are related by the formula  $K = 1/R$ .

T = given thickness

R = thermal resistance for a given thickness (T)

K = thermal conductivity

Noncombustible material with a lower R value may be used, provided thickness of material is sufficiently greater to maintain an equivalent (total) thermal resistance (Rt).

### Example of Determining Hearth Extension Equivalents

To determine the thickness required for any **new** material:

$$\text{NEW thickness required} = \frac{\text{K of new material (per inch)} \times \text{thickness of listed material}}{\text{K of listed material (per inch)}}$$

### Example for Common Brick

T (new) =  $5.0/0.458 \times .5 \text{ in.} = \mathbf{5.46 \text{ in.}}$  (new required thickness).

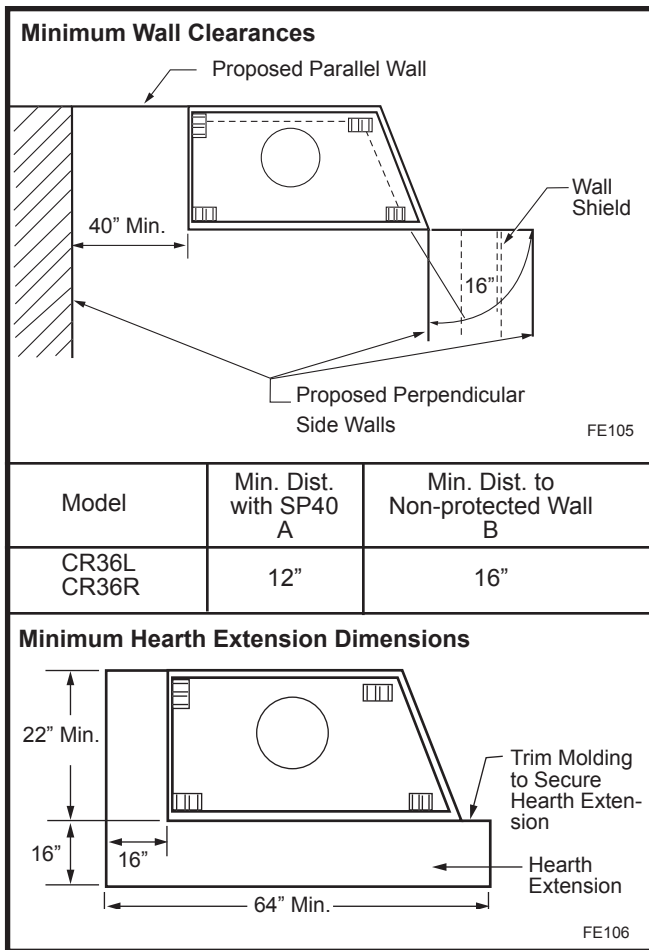


Fig. 20 Protection of adjacent combustible side walls and hearth extension dimensions.

**COMMON MATERIALS AND FACTORS**

MATERIAL	K*	R	MINIMUM THICKNESS
EH2416 (CFM Corporation)	0.458	1.09	0.50 in.**
Common Brick	5.0	0.10	5.46 in.**

R Value is for 1/2 inch.  
 \* Units of K = BTU/SQ FT/HR/°F/IN  
 \*\* Thickness of Listed Material

FP533ADD

Fig. 21 Hearth extension material factors.

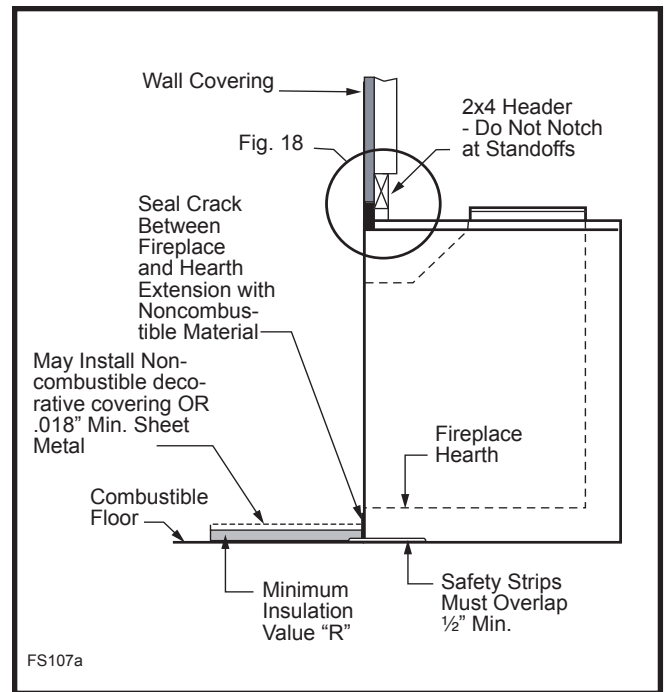


Fig. 22 Hearth extension.

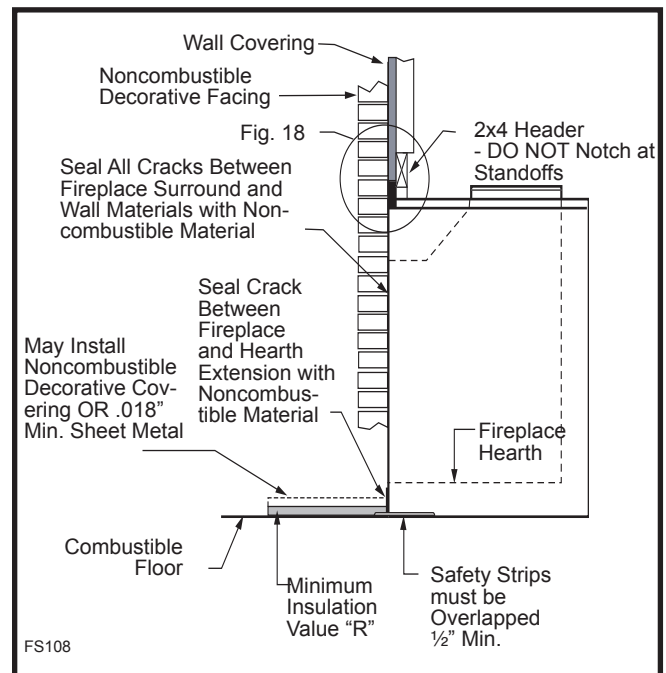


Fig. 23 Finish wall treatments and gap sealing.

## Installing Line for Gas Logs

Majestic Fireplaces CR36R/L Series fireplace is designed to accept a 1/2" gas line for an approved gas appliance. (CFM Corporation manufactures a wide variety of gas logs for use in Majestic Fireplaces.) Have the appliance installed by a qualified plumber in accordance with all building codes. The gas connection enters the fireplace at the end opposite the open end.

Locate the gas line hole in the outer casing of the fireplace and remove the insulation from the gas line tube. (Fig. 24)

From inside the fireplace, locate the knockout on the firebrick. Using a flat bladed screwdriver or small chisel and hammer, carefully tap around the knockout until it loosens and falls out.

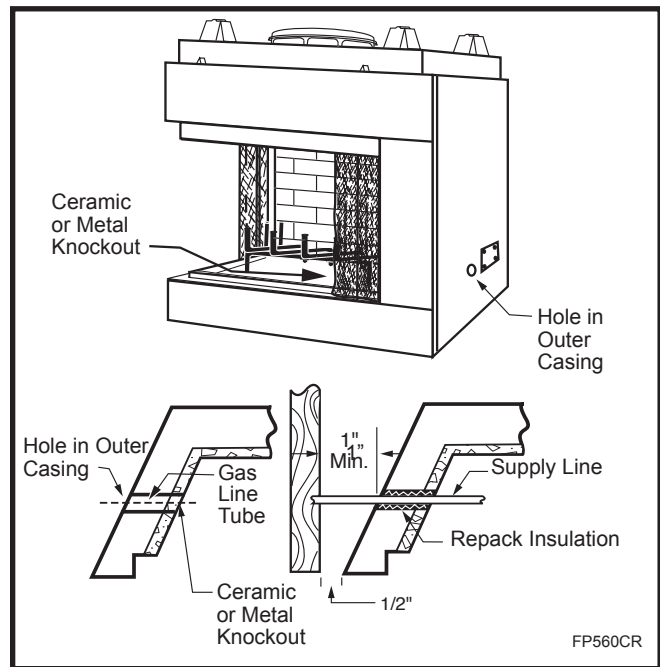
Now, install 1/2" certified gas pipe through the opening. After the gas pipe installation is complete, use the insulation that was removed from the gas line tube to repack the space around the pipe. This should be inserted from the outside of the fireplace and packed tightly to totally seal between the pipe and the tube.

**NOTE: The gas pipe should not come in contact with any wood structures until it has reached a point at least one (1) inch away from the fireplace side.**

**NOTE:** Local codes may require removal of flue damper when installing any type of gas appliance in a fireplace.

The gas pipe installation is intended for connection to a decorative gas appliance only (1) incorporating an automatic shutoff device and (2) complying with the Standard for Decorative Gas Appliances for Installation in Vented Fireplaces, ANSI Z21.60 or CSA draft requirements for Gas-Fired Log Lighters for Woodburning Fireplaces (Draft No. 4, August 1993).

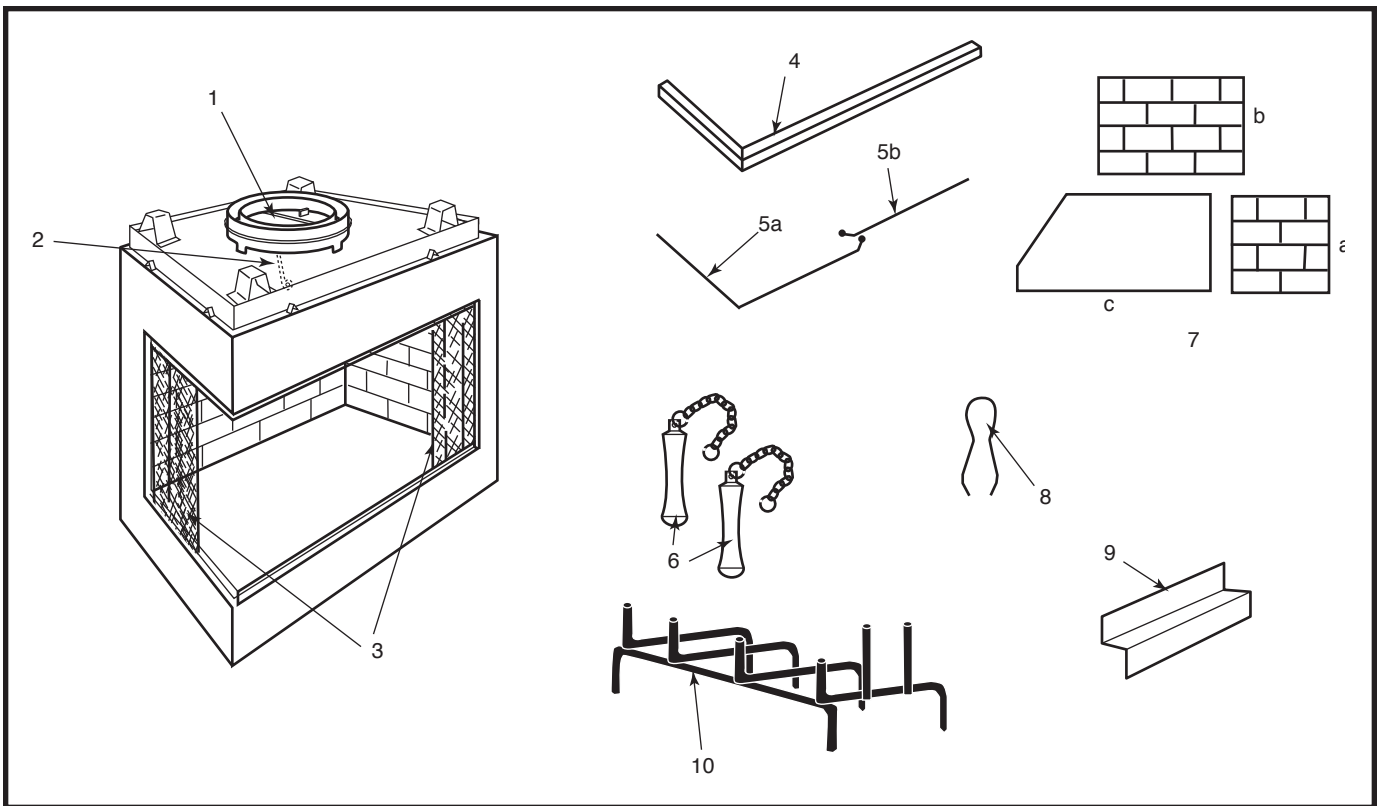
**The decorative gas appliance should be installed in accordance with the National Fuel Gas Code, ANSI Z223.1-1988.**



**Fig. 24** Install iron pipe gas line through hole provided in angled side of fireplace.

**CAUTION: WHEN USING DECORATIVE GAS APPLIANCE, THE FLUE DAMPER MUST BE SET IN THE FULLY OPEN POSITION. IF YOU HAVE GLASS DOORS ON THE FIREPLACE, THEY MUST ALSO BE FULLY OPENED.**





CFM Corporation reserves the right to make changes in design, materials, specifications, prices and discontinue colors and products at any time, without notice.

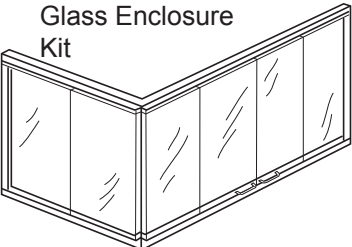
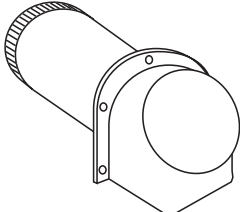
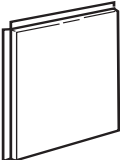

## CR36R/L Woodburning Fireplace

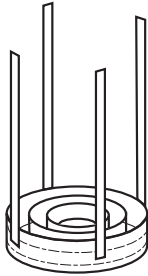
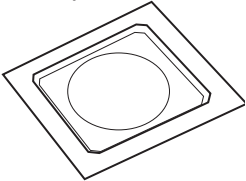
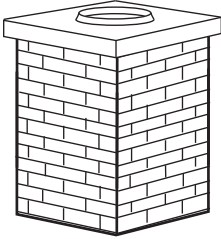
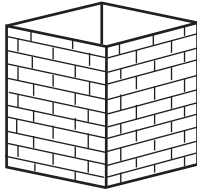
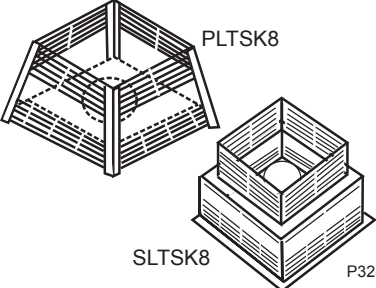
Item/Model Number	CR36L	CR36R
1. Flue Damper Blade	RP102	RP102
2. Actuator	20001587	20001587
3. Screen Assembly (three per fireplace)	7554338	7554338
4. Screen Rail Assembly	20000842	20001183
5a. Screen Rod Finished 90°	7554156	7554155
5b. Screen Rod Finished Straight	7554181	7554181
6. Screen Pulls (two per fireplace)	5584139	5584139
7a. Firebrick - Side	20000793	20000794
7b. Firebrick - Back	20000792	20000792
7c. Firebrick - Hearth	20000791	20000838
8. Cable Clips (four per fireplace)	7512135	7512135
9. Firebrick Retainers	3030172	3030172
10. Basket Grate	7579112	7579111

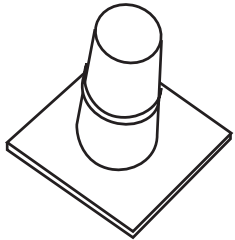
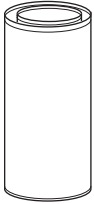
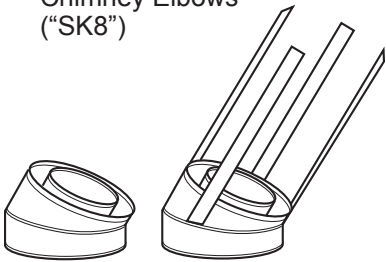
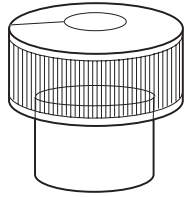
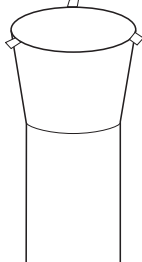
## Accessories

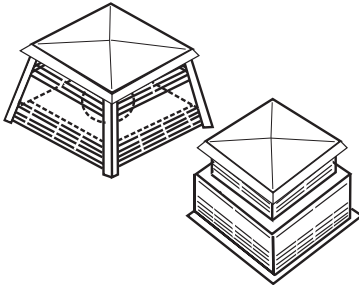
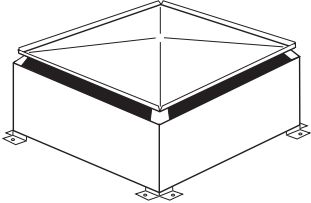
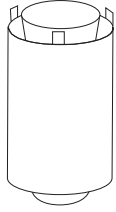
The following accessory parts can be obtained from Majestic Fireplaces Dealer. The fan kit, top terminations, outside air kit, glass doors and hearth patching kits are supplied with installation instructions packaged with the unit. Should you need additional information beyond what your dealer can furnish, contact CFM Corporation, 2695 Meadowvale Blvd. Mississauga, Ontario, Canada L5N 8A3 Attention: Technical Services.

**CAUTION: This fireplace and chimney assembly is a highly engineered system and, as such, must be operated only with CFM Corporation approved components that have been designed as parts of the system. If you use an unapproved component or make any modifications, you may possibly cause a fire hazard and will void the CFM Corporation warranty. In addition, such action may void the coverage provided by the owner's home insurance.**

Accessory	Description	Model No.
<p data-bbox="142 674 342 730">Glass Enclosure Kit</p> 	<p data-bbox="557 716 967 835">Designed to enclose the CR36L/R Series fireplace opening with glass doors, allowing the fire to remain visible.</p>	<p data-bbox="1182 716 1300 741">36GCKBB</p>
<p data-bbox="142 947 318 972">Outside Air Kit</p> 	<p data-bbox="557 968 987 1094">Provides outside air for fuel combustion in the firebox. This accessory <b>must</b> be installed before the fireplace is installed.</p>	<p data-bbox="1190 968 1292 993">AK-MST</p>
<p data-bbox="142 1230 277 1255">Wall Shield</p> 	<p data-bbox="557 1255 987 1318">Used to protect walls adjacent to the fireplace.</p>	<p data-bbox="1206 1255 1276 1281">SP40</p>
<p data-bbox="134 1444 443 1470">Hearth Extension Material</p>  <p data-bbox="431 1570 505 1591">P325a-d</p>	<p data-bbox="557 1444 959 1507">1/2" x 24" x 16" insulation material for hearth extensions.</p>	<p data-bbox="1190 1444 1292 1470">EH2416</p>

Accessory	Description	Model No.
<p data-bbox="256 205 483 237">Chimney Support</p> 	<p data-bbox="630 264 1065 422">Used to support the chimney at each 30 feet of vertical height above the hearth and at every 6 feet of inclined chimney run. Each support adds 2½ inches to chimney length.</p>	<p data-bbox="1263 264 1357 327">SKCS8 (8" flue)</p>
<p data-bbox="256 575 350 606">Firestop</p> 	<p data-bbox="630 615 1065 678">Required at each floor level and attic on multi-story installation.</p>	<p data-bbox="1138 615 1487 678">SKFS2A (8" straight flue) SKFS6A (8" 30° inclined flue)</p>
<p data-bbox="256 808 435 840">Top Housings</p> 	<p data-bbox="630 835 1040 1056">Gives traditional chimney top look using simulated brick in red, tan or white color. Brick pattern is embossed into galvanized steel unit. Roof flashing is included. Appropriate adapter is required. See Sections 2 and 3.</p>	<p data-bbox="1222 835 1401 867">S20BR/BT/BW</p>
<p data-bbox="256 1215 492 1247">Housing Extensions</p> 	<p data-bbox="630 1251 1036 1314">Required to extend Traditional Top Housings on steeply pitched roofs.</p>	<p data-bbox="1239 1251 1385 1377">202036 (single flue) 204436 (double flue)</p>
<p data-bbox="256 1545 557 1608">Contemporary Chase Top Terminations</p> 	<p data-bbox="630 1566 1024 1692">Used to terminate chimney at the top of a chase. Flashing is not included. Appropriate adapter is required. See Sections 2 and 3.</p>	<p data-bbox="1263 1598 1360 1692">SLTSK8 or PLTSK8</p>

Accessory	Description	Model No.
<p>Contemporary Flashing</p> 	<p>Required for contemporary round top termination on the roof to prevent rain entry.</p>	<p>8-6-12 (8" flue; 0 to 6/12 pitch) 8-12-12 (8" flue; 6/12 to 12/12/ pitch)</p>
<p>Chimney Sections ("SK8")</p> 	<p>Used to build "SK" chimney systems.</p>	<p>8" flue SK81 (1' long) SK818 (1½' long) SK83 (3' long) SK84 (4' long)</p>
<p>Chimney Elbows ("SK8")</p> 	<p>Used to develop 30° offset chimney systems. (Elbows packed 2 per carton - upper and lower elbow set)</p>	<p>SK830-2 (8" 30° flue)</p>
<p>Contemporary Round Top Termination</p> 	<p>For use with CFM Corporation Type "SK8" Chimney Systems.</p> <p>Used to terminate chimney on the roof. Flashing not included.</p>	<p>RLTSK8</p>
<p>Extended Round Top Chase Termination</p> 	<p>For use with CFM Corporation Type "SK8" Chimney Systems.</p> <p>Used to terminate chimney at the top of a chase. Adapter kit included. Flashing not included.</p>	<p>RLTSK8L</p>

Accessory	Description	Model No.
	Used to terminate chimney at the top of a chase. Flashing is not included. Appropriate adapter is required. See Sections 2 and 3.	SKDSBL or PKDSBL
<p>Chase Top</p> 	Used to terminate Type "SK8" 2 wall chimney at the top of a chase. Flashing is not included. Appropriate adapter is required.	CT100
<p>Adapter Kit</p>  <p style="text-align: right; font-size: small;">325p-r</p>	Required to unite Type "SK8" 2 wall chimney with CT100 chase top.	CTSK
<p>Hearth Patching Kit</p>	Used to patch cracks in hearth.	HPC1

### Accessories for Canada

Accessory	Description	Model No.
Attic Insulation Shield	Used to prevent insulation from coming in contact with the chimney system.	CCE-SK
Chimney Collar Enclosure	Installs on the "over the chimney collar" of the fireplace; provides outside air to assist in cooling the chimney system.	AIS-SK
SK8 Chimney Sections	Used to build chimney systems exposed above roof.	SK818CAN(1½' Long) SK84CAN(4' Long)
45° Chimney Elbows	Provides 45° offset and return. For Canadian installatin only. For use with SK8 chimney only. (Maximum use of 2, or 1 pair)	SK845/2



# LIMITED WARRANTY & 30 YEAR PROTECTION PLAN

## For MAJESTIC FIREPLACES® PRE-ENGINEERED Fireplace Systems

CFM Corporation warrants its MAJESTIC FIREPLACES® Pre-Engineered Fireplace ("Fireplace") and the CFM Corporation supplied firegrate, glass doors, outside air system, fan motor, and liners to be free from defects in material or workmanship, as follows:

**A. Fireplace and Chimney Components:** (exclusive of CFM Corporation-supplied firegrate, glass doors, outside air system, fan motor, and liners all of which are covered by separate warranties under paragraphs B through D below): At its option for a period of thirty (30) years from the date the Fireplace is installed, CFM Corporation will;

(1) For a period of five (5) years from the date the Fireplace is installed, CFM Corporation, at its option, will repair or replace any defective part without charge.

(2) Thereafter, through the 10th year after the date the Fireplace is installed, if replacement parts are available, CFM Corporation will provide a replacement for any defective part without charge for the part itself. The consumer must pay for everything else other than the part.

(3) Thereafter, through the 30th year after the date the Fireplace is installed, if replacement parts are available, CFM Corporation will provide a replacement for any defective part at a cost to the consumer of CFM Corporation then current list price, FOB CFM Corporation factory.

**B. Firegrate, Glass Doors, Outside Air System:**

For a period of 90 days from the date the Fireplace is installed CFM Corporation, at its option, will provide a replacement for any defective part, without charge for the part itself, FOB CFM Corporation factory, (The consumer must pay for everything else other than the part,).

**C. Fan Motor:**

(1) For a period of one (1) year from the date the Fireplace is installed, CFM Corporation, at its option, will repair or replace any defective part without charge.

(2) Thereafter, through the 30th year after the date the Fireplace is installed CFM Corporation, at its option, if replacement parts are available, will provide a replacement for any defective part at a cost to the consumer of CFM Corporation then current list price, FOB CFM Corporation factory.

**D. Liners (Refractory or Metal):**

(1) For a period of two (2) years from the date the Fireplace is installed, CFM Corporation, at its option, will repair or replace any defective part without charge.

(2) Thereafter, through the 30th year after the date the Fireplace is installed CFM Corporation, if replacement parts are available, will provide a replacement for any defective part at a cost to the consumer of CFM Corporation then current list price, FOB CFM Corporation factory.

This warranty is subject to the following conditions and limitations:

(1) This warranty is extended only to a Fireplace installed in the continental United States, the state of Alaska and Canada; only if and so long as the Fireplace is installed according to the installation instructions furnished with the Fireplace, and

operated at all times under normal conditions, use and service according to the operative instructions furnished with the Fireplace, and only if and so long as the Fireplace is not removed from its original installation.

(2) This warranty is non-transferrable, and is made to the original owner, provided that the purchase was made through an authorized supplier of the Company.

(3) The sole and exclusive remedies for breach of any warranties hereunder shall be for the repair, replacement or provision of a replacement part at CFM Corporation then current list price, FOB CFM Corporation factory, for any defective part as specified in paragraphs A through D.

(4) CFM Corporation shall not be liable for damage from any smoking of a MAJESTIC FIREPLACES Pre-Engineered Fireplace System related to environmental geographic conditions (such as, for example, nearby structures or roof peaks, trees, hills, or mountains), inadequate ventilation, or negative air pressure in the place where the Fireplace system is installed, related to any mechanical system (such as, for example, furnaces, fans, air conditioners, clothes dryers, etc.)

(5) Except as otherwise expressly specified in paragraphs A through D, NONE OF THESE WARRANTIES COVER, AND CFM CORPORATION SHALL NOT BE RESPONSIBLE FOR, ANY CONSTRUCTION, INSTALLATION, LABOR, TRANSPORTATION OR OTHER COSTS OR EXPENSES ARISING FROM A DEFECTIVE PART, ITS REPAIR OR REPLACEMENT OR OTHERWISE, NOR SHALL CFM CORPORATION IN ANY EVENT BE RESPONSIBLE FOR ANY INDIRECT, INCIDENTAL OR CONSEQUENTIAL DAMAGES EXCEPT TO THE EXTENT REQUIRED BY LAW. Some states do not allow the exclusion or limitation of incidental or consequential damages, so this exclusion or limitation may not apply to you.

NO IMPLIED WARRANTIES, INCLUDING THE IMPLIED WARRANTIES OF MERCHANTABILITY AND FITNESS FOR A PARTICULAR PURPOSE, SHALL REMAIN IN EFFECT AFTER THE EXPIRATION OF THE WARRANTIES SET FORTH IN PARAGRAPHS A THROUGH D. Some states do not allow limitations on how long an implied warranty lasts, so this limitation may not apply to you.

In order to obtain performance of any of the above warranty obligations write to CFM Corporation at this address:

CFM Corporation  
2695 Meadowvale Blvd.  
Mississauga, Ontario, Canada L5N 8A3  
Attention: Director of Warranty Services

Since local building requirements may vary greatly throughout the country, users of CFM Corporation products should determine in advance whether there are any building code restrictions on the use of a specific product. CFM CORPORATION MAKES NO REPRESENTATION OR WARRANTY REGARDING, AND SHALL NOT BE RESPONSIBLE FOR, ANY BUILDING CODE COMPLIANCE.

The foregoing warranties give you specific legal rights and you may also have other rights which vary from state to state.

## **CFM Corporation**

---

2695 Meadowvale Blvd. • Mississauga, Ontario, Canada L5N 8A3  
800-668-5323 • [www.cfmcorp.com](http://www.cfmcorp.com)



## Free Manuals Download Website

<http://myh66.com>

<http://usermanuals.us>

<http://www.somanuals.com>

<http://www.4manuals.cc>

<http://www.manual-lib.com>

<http://www.404manual.com>

<http://www.luxmanual.com>

<http://aubethermostatmanual.com>

Golf course search by state

<http://golfingnear.com>

Email search by domain

<http://emailbydomain.com>

Auto manuals search

<http://auto.somanuals.com>

TV manuals search

<http://tv.somanuals.com>