



Addison
Freestanding Electric Stove



The Traditional Cast Iron
Stove with a modern twist.

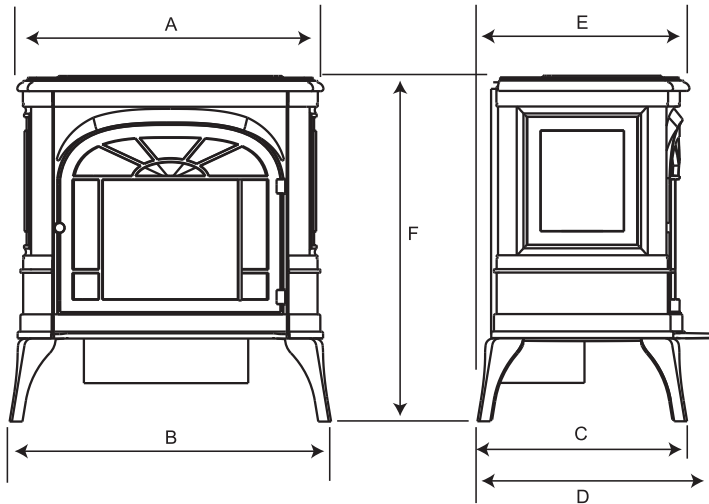
Addison Freestanding Electric Stove

Models • 2905 • 2907



All the Style with a Whole New Level of Convenience.

It's more than go-anywhere installation. You can actually move the Addison Electric Stove from room-to-room quickly and easily. No hearth or mantel is required. It's the perfect choice for anyone looking for quality and style with remote control convenience. And it's only from Vermont Castings®. Available in Classic Black and Ebony Black porcelain enamel.



A	Width of Stove Top	565 mm	22 1/4"
B	Width at Legs	600 mm	23 3/8"
C	Depth at Legs	390 mm	15 3/8"
D	Depth at Apron	430 mm	17"
E	Depth at Stove Top	400 mm	15 3/4"
F	Total Height	635 mm	25"

Features and Benefits

Benefits:

- Easy to install, plugs into any standard 120 volt outlet
- Ideal for new homes, high rise buildings, condominiums, apartments or cottages
- Can be relocated at any time, from room to room - or home to home if you move
- You can choose to operate the Addison Electric Stove with or without heat
- Easy to operate on/off Remote Control
- Easy maintenance
- Lasting beauty of a Vermont Castings cast iron exterior
- Heater rating: 1,350 watt

Standard Features:

- 4,500 BTUs to warm small rooms
- Distributes an even heat by means of a quiet fan system
- Vermont Castings patented technology: randomized filtered lighting simulates flame pattern and glowing logs
- Actual deep, glowing ember bed without the use of mirrors
- Safety glass panel



ph: 1.800.525.1898
www.vermontcastings.com
www.majesticproducts.com

YOUR DEALER

Free Manuals Download Website

<http://myh66.com>

<http://usermanuals.us>

<http://www.somanuals.com>

<http://www.4manuals.cc>

<http://www.manual-lib.com>

<http://www.404manual.com>

<http://www.luxmanual.com>

<http://aubethermostatmanual.com>

Golf course search by state

<http://golfingnear.com>

Email search by domain

<http://emailbydomain.com>

Auto manuals search

<http://auto.somanuals.com>

TV manuals search

<http://tv.somanuals.com>