



Stardance Firebox and Stove Shell/Door Installation Instructions for Models: SDFBVT/SDFBVTC, SDFBDVR/SDFBVRC

CAUTION: Handle porcelain enamel castings gently. The finish is fragile and can be easily damaged. Place castings on a towel, carpet or other protective surface.

To complete installation of your Stardance gas stove, you must first assemble the outer cast shell. Follow the directions for each model. Refer to Homeowner's Manual for complete installation instructions.

Unpacking the Shell

The Stardance shell is comprised of three cast iron plates plus the front with operable doors. The top plate for the top vent models is a single piece. The top plate for the rear vent models has three (3) pieces, the plate, screen and grate. Compare parts received with those shown in Figures 1 & 2. Carefully inspect all parts and immediately report any damaged or missing parts to your dealer/distributor.

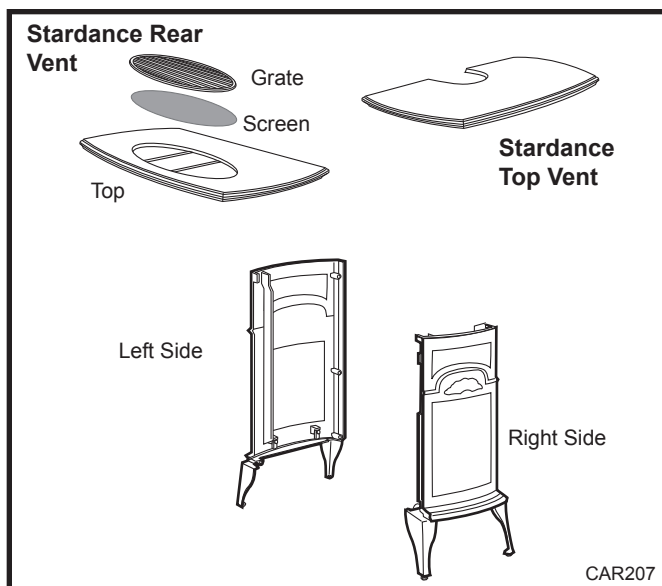


Fig. 1 Carton contents for Stardance shell.

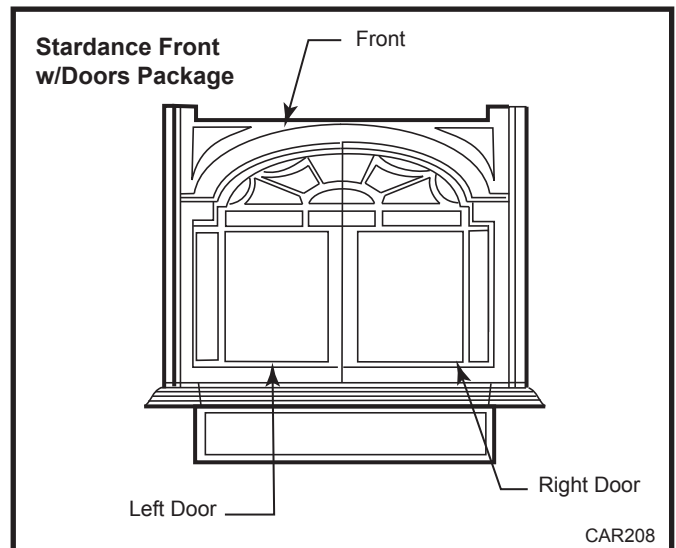


Fig. 2 Carton contents for operable door package.

Assembly Instructions

1. Attach the rear skirt to the left side by aligning the key holes with the two wingbolts in the side. If necessary, turn the wingbolts to orient the blades vertically. (Fig. 3) Slide the skirt downward to engage it behind two washers on the side plate bolts and then tighten both wingbolts.

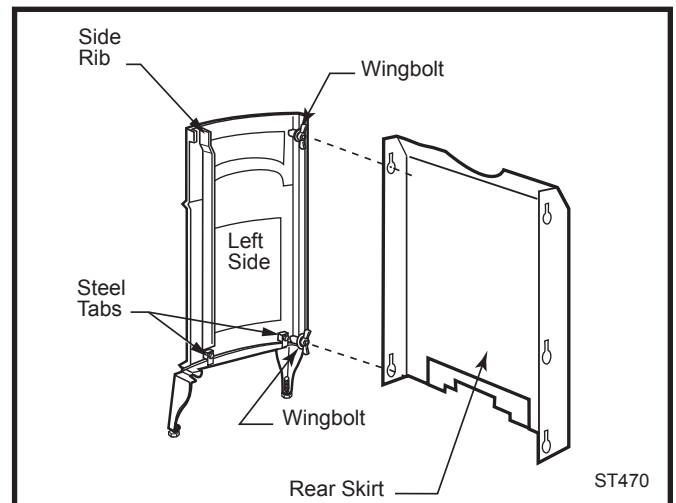


Fig. 3 Attach rear skirt to the left side.

2. Attach the right side to the rear skirt. (Fig. 4) Move this assembly close to the stove's final position. Align the two sides at right angles to the back panel as shown in Figure 5.

NOTE: The firebox is shipped with three bolts and spacers on the bottom to prevent any damage to the bottom assembly. The two front bolts should be removed after installation. Use a 7/16" wrench.

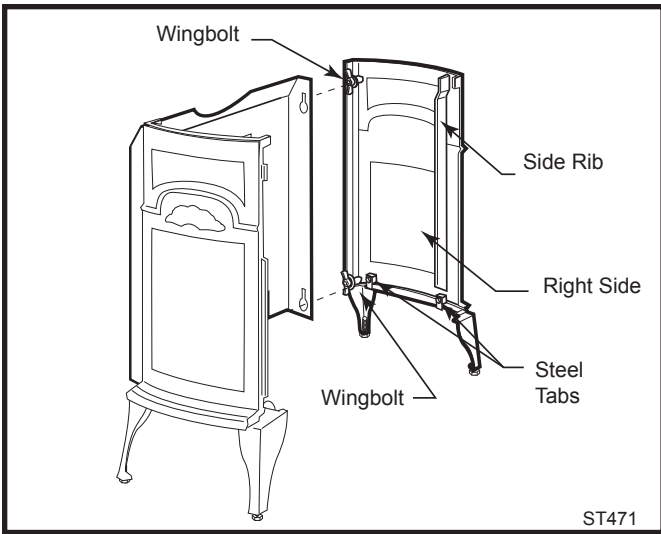


Fig. 4 Attach right side to rear skirt.

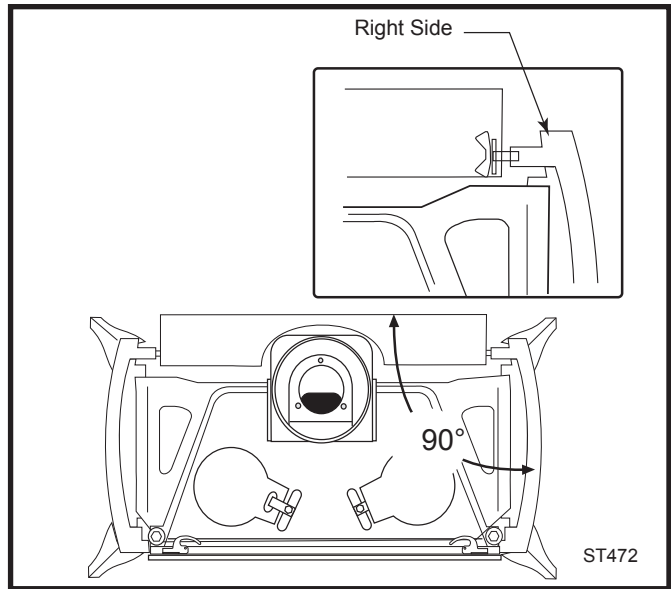


Fig. 5 Align both sides with skirt. (Top vent shown)

3. Lift the firebox assembly and slide it into the shell. The base of the firebox should rest on the side support shelves. (Fig. 6) The side plates interlock with the firebox by use of a pair of steel tabs that engage with the ribs on the base of the firebox. (Fig. 6) Properly positioned, the firebox will be level and locked in place. If not, adjust the levelling screw in the foot of each leg as needed.

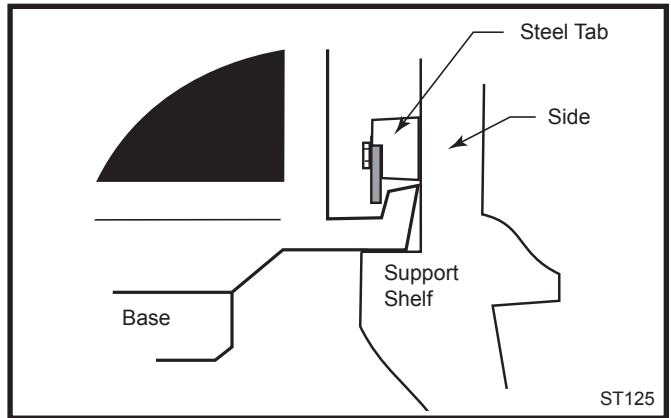


Fig. 6 Install firebox assembly.

Model	Firebox	Shell Package				Front w/Doors Package			
		Brick Blue	Country Cookware Gray	Granite Gray	Sage Green	Brick Blue	Country Cookware Gray	Granite Gray	Sage Green
Stardance SDDVT Series	SDFBDVT	30120	30122	30123	30124	30150	30152	30153	30154
Stardance SDDVTC Series	SDFBVTC	30120	30122	30123	30124	30150	30152	30153	30154
Stardance SDDVR Series	SDFBVR	30130	30132	30133	30134	30150	30152	30153	30154
Stardance SDDVRC Series	SDFBVRC	30130	30132	30133	30134	30150	30152	30153	30154

CFM Corporation

410 Admiral Blvd. • Mississauga, Ontario, Canada L5T 2N6
800-668-5323 • www.cfmcorp.com

Free Manuals Download Website

<http://myh66.com>

<http://usermanuals.us>

<http://www.somanuals.com>

<http://www.4manuals.cc>

<http://www.manual-lib.com>

<http://www.404manual.com>

<http://www.luxmanual.com>

<http://aubethermostatmanual.com>

Golf course search by state

<http://golfingnear.com>

Email search by domain

<http://emailbydomain.com>

Auto manuals search

<http://auto.somanuals.com>

TV manuals search

<http://tv.somanuals.com>