



**VEBIEM3030DSS**

**VEBIEM3030SS**



<i>TABLE OF CONTENTS</i>					
	page		page	page	
Introduction	1	Installation notes	2	Connecting to 208V circuit	5
Tools you will need	1	Wall or under counter installation, single oven	3	Electrical connections	6
Power requirements	1	Wall installation double oven	3	3-wire branch circuit	6
Choosing oven location	1	Flush installation	4	4-wire branch circuit	6
Steps for installation	1	Electrical supply	5	Final check list	6
Technical data	2	Wiring requirement	5		

**IMPORTANT:** Save these instructions for the local electrical inspector use.  
**INSTALLER:** Please leave this manual with owner for future reference.  
**OWNER:** Please keep this manual for future reference.

### **WARNING**

**If the information in this manual is not followed exactly, a fire or explosion may result causing property damage, personal injury or death.**

## **INTRODUCTION**

Please read these instructions **COMPLETELY AND CAREFULLY**. They will save you time and effort and help to ensure optimum oven performance.

Be sure to observe all **WARNINGS**. These installation instructions are intended for use by a qualified installer.

In addition to these instructions, the oven shall be installed:

- In the United States, in accordance with the National Electric Code/State and Municipal codes and/or local codes.
- In Canada, in accordance with Canadian Electric Code C22.1-latest edition/Provincial and Municipal codes and/ or local codes.

These shall be carefully followed at all times.

**NOTE: IF INSTALLING YOUR OVEN IN CANADA PLEASE CHECK TO MAKE SURE THAT YOU HAVE A MODEL WITH THE US AND CANADIAN LISTING**



**MARK, AS SHOWN ABOVE:**

Mark as shown above means the oven complies with both US and CANADIAN Standards.

## **TOOLS YOU WILL NEED**

The following tools are needed to install your new oven:

- Tape measure and straightedge or ruler
- Pencil
- Phillips screwdriver
- Level
- Wire cutters and wire stripper
- Hand or saber saw
- 1" (2,5cm) Hole saw
- Drill and drill bit
- Safety gloves and goggles
- Volt meter (0-250VAC)

## **PACKAGING**

Remove all tape and packaging before using the oven. Destroy the packaging after unpacking the oven following the rules in force in your town. Never allow children to play with packaging material.

## **POWER REQUIREMENTS**

The oven must be supplied with the proper voltage and frequency. The oven is manufactured to be connected to a three-wire or four-wire, single phase, 120/240 Volt, 60 Hz AC electrical supply on a separate circuit fused on both sides of the line. If a 120/208 Volt circuit must be used, see Connecting to 120/208 Volt Circuit, in this manual. A circuit breaker or time delay fuse, sized not to exceed the circuit rating of the appliance specified on the rating plate located on the frame behind the door of the oven is recommended (see figure at page 5).

The oven must be supplied with copper or aluminum wires. If aluminum wire is provided to connect oven to branch circuit, UL listed connectors for joining copper and aluminum must be used. Follow instructions provided with connectors.

It is recommended that you have the electrical wiring and hook-up of your oven performed by a qualified electrician. After installation is complete have the electrician show you where the main disconnect is and which of the circuit breakers/fuses are for the oven.

## **CHOOSING OVEN LOCATION**

Carefully select the location where the oven will be placed.



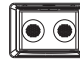
The oven should be located for convenient use in the kitchen, but away from strong drafts.

Strong drafts may be caused by open doors or windows, or by heating and/or air conditioning vents or fans. Make sure that electrical power can be provided to the location selected.

## **STEPS FOR INSTALLATION**

The following pages provide the necessary information for proper installation of the oven and are arranged as follows:

- Technical Data
- Installation Cutout Dimensions, Required Clearances and Mounting instructions for:
  - Under counter Installation, Single Oven
  - Wall Installation, Single Oven
  - Wall Installation, Double Oven
- Electrical Supply and Wiring Requirements, Programming required if connecting to 120/208 Volt Circuit. Electrical Connections for 3-wire or 4-wire Branch Circuit.
- Final Checklist

<b>TECHNICAL DATA</b> For cutout dimensions see following section titled: Preparing location		Electrical Ratings and Maximum Connected Load				
		@ 120/240 Volts 60 Hz		@ 120/208 Volts 60 Hz		
<b>SINGLE OVEN</b>		Amperes	kW	Amperes	kW	
VEBIEM3030SS		16,9	3,84	17,5	3,54	
<b>DOUBLE OVEN</b>		Amperes	kW	Amperes	kW	
	UPPER CAVITY	LOWER CAVITY				
VEBIEM3030DSS			33,8	7,68	32,4	6,48

### INSTALLATION NOTES

- Do not slide oven across floor. Damage to floor covering or floor could result.
- The oven support surface must be a minimum 3/4" (2cm) thick plywood platform.  
For single ovens, it must support 202 pounds.  
For double ovens, it must support 379 pounds. The platform must be solid, level and flush with the bottom of the cabinet cut out.
- Use extreme caution when moving or installing the oven. It is very heavy.  
**DO NOT LIFT THE OVEN BY THE DOOR HANDLE,** remove the door for easier handling and installing. See REMOVING THE DOOR in the maintenance section of the Use Care Manual.
- Be very careful when moving or installing the oven to avoid damage to the oven frame or damage to the cabinets.
- Be sure to level the oven. An oven that is not level may provide poor or inconsistent baking results.
- Be careful when placing oven. **DO NOT** pinch the conduit between the oven back.

### **WARNING**

Before installing or removing, turn power OFF at the service panel. Lock service panel to prevent power from being turned ON accidentally.  
Securely fasten oven to cabinet using the screws provided. Failure to do so could result in oven moving or tipping during use and causing damage to the oven or cabinets or personal injury.

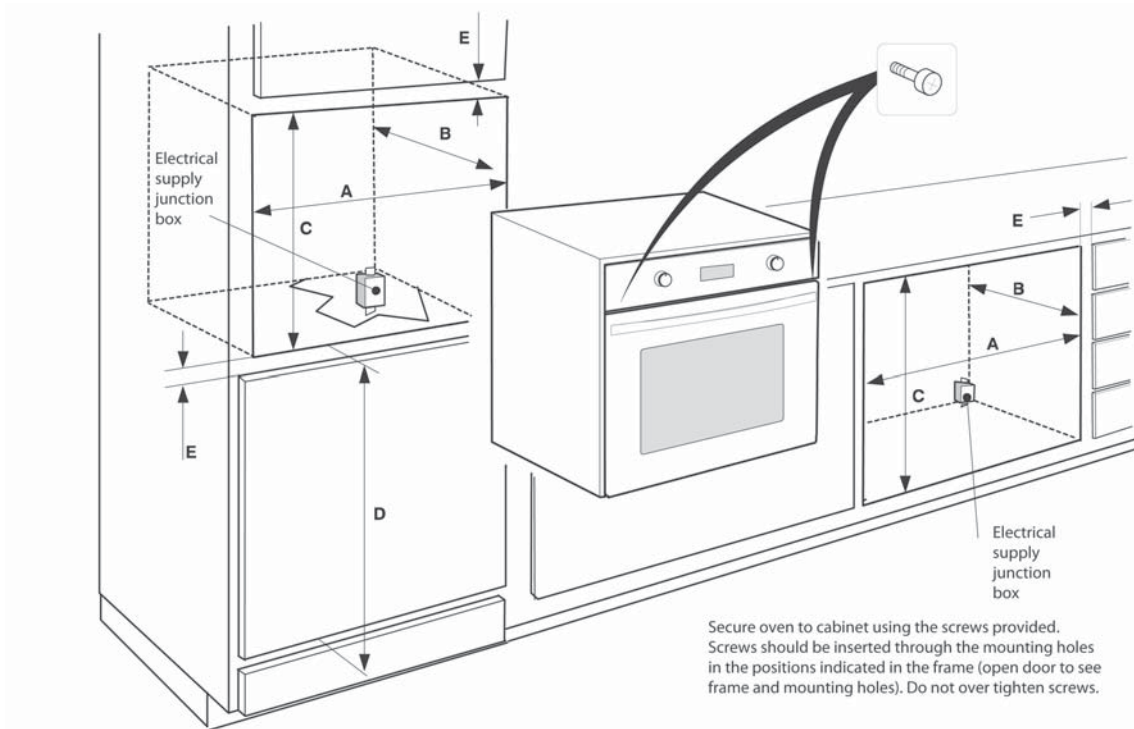
Know how to disconnect the power to the oven at the circuit breaker or fuse box in case of an emergency.

### **CAUTION**

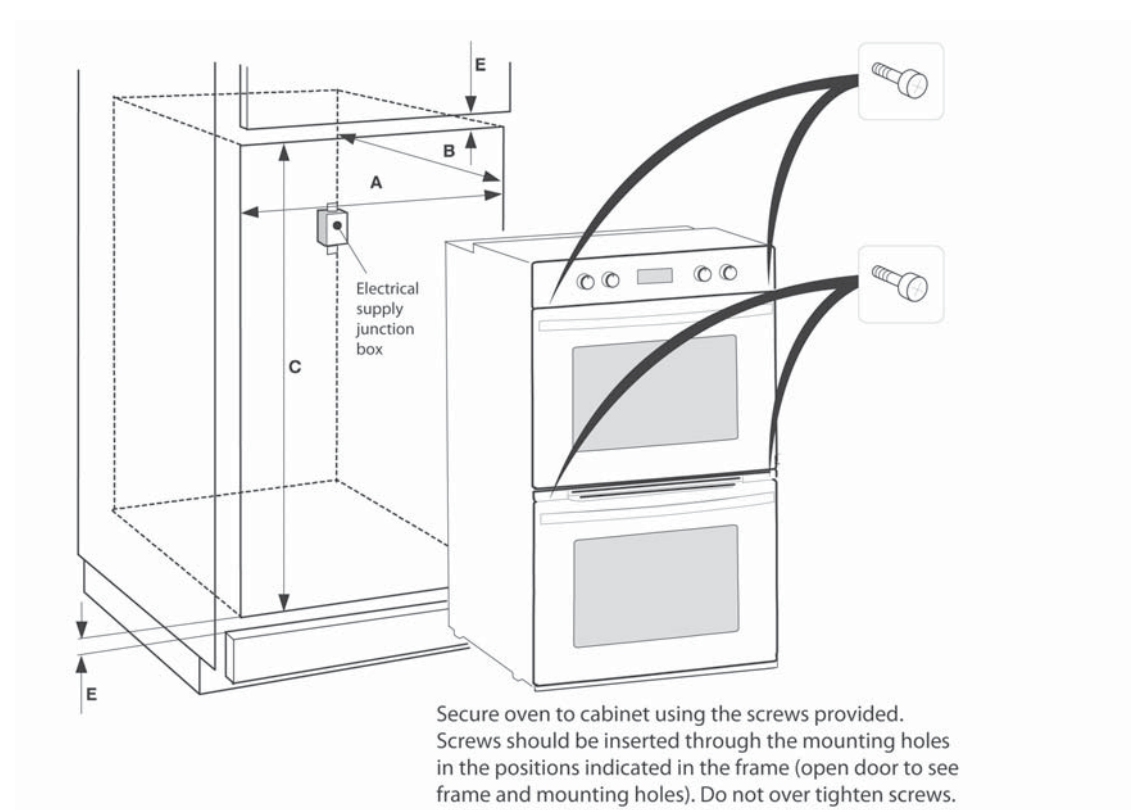
Unit is heavy and requires at least two people or proper equipment to move.

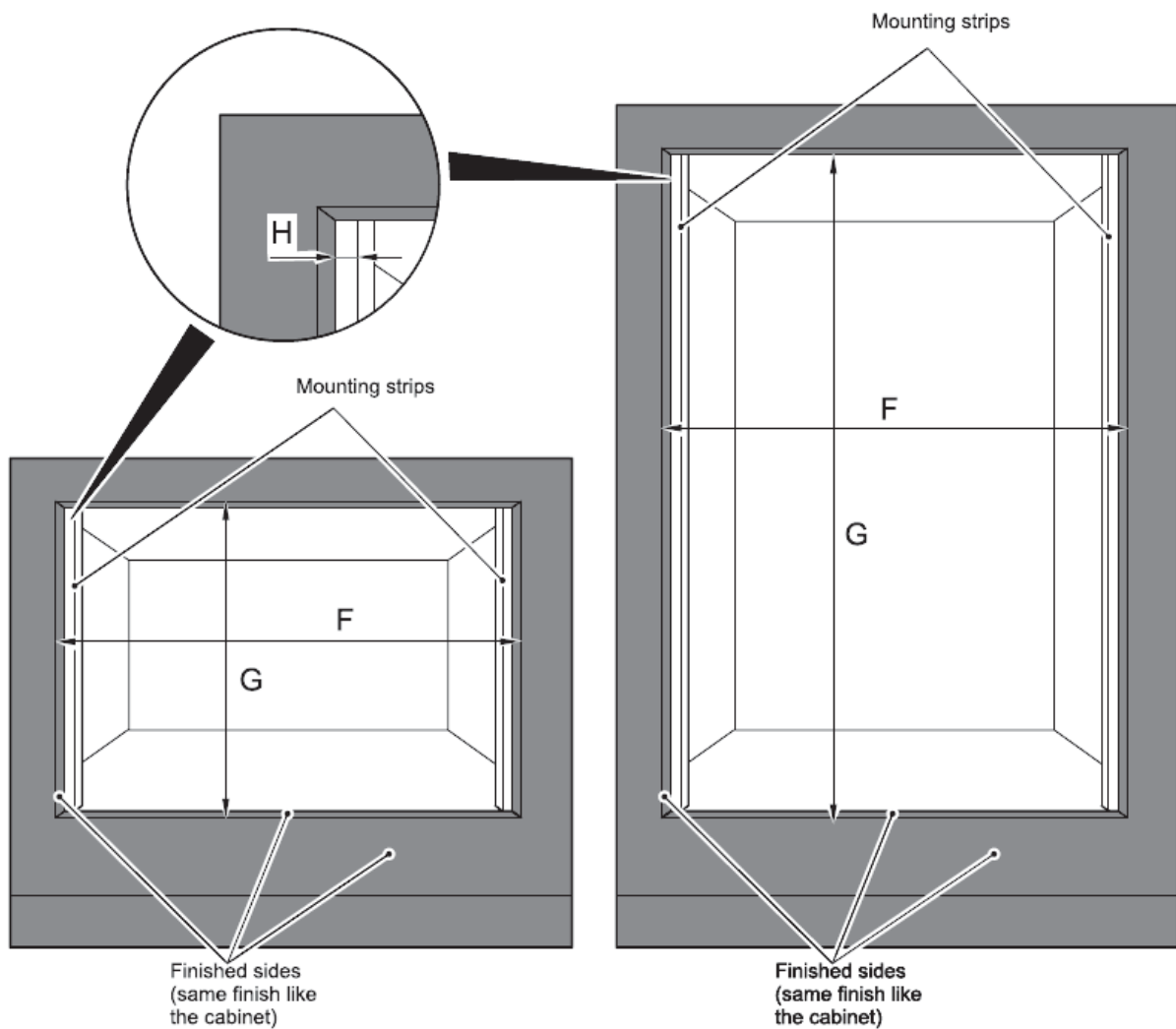
Ltr.	DIMENSION	SINGLE	DOUBLE
		30"	30"
<b>A</b>	Cutout Width	28 7/16" (72,2 cm)	28 7/16" (72,2 cm)
<b>B</b>	Cutout Depth	24" (61 cm)	24" (61 cm)
<b>C</b>	Cutout Height	27 3/8" (69,5 cm)	49 3/4" (126,5 cm)
<b>D</b>	Floor Bottom of Cutout	34" (86,5 cm)	N/A
<b>E</b>	Minimum Spacing	1/2" (1,3 cm) min	1/2" (1,3 cm) min

**WALL OR UNDER COUNTER INSTALLATION, SINGLE OVEN**



**WALL INSTALLATION, DOUBLE OVEN**



**FLUSH INSTALLATION**


114260B2

Ltr.	DIMENSION	SINGLE	DOUBLE
		30"	30"
<b>F</b>	Cutout Width	30 1/16" (76,4 cm)	30 1/16" (76,4 cm)
<b>G</b>	Cutout Height	28 1/32" (71,2 cm)	51" (129,5cm)
<b>H</b>	Visible part of the mounting strips	3/4" (1,9 cm)	3/4" (1,9 cm)

### ELECTRICAL SUPPLY

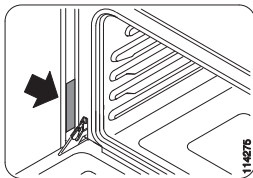
Before installing the oven have a qualified electrician verify that your home is provided with adequate electrical service and that the addition of the oven will not overload the branch circuit on which it is to be installed.

A separate three-wire or four-wire single phase, 240 Volt, 60 Hz, or a 208 Volt, 60Hz branch circuit is required.

**NOTE:** FOR USE WITH 208 V, 60 HZ SUPPLY VOLTAGE, SEE CONNECTING TO 208 VOLT CIRCUIT.

For hook-up of the oven you will need to have an approved junction box installed where it will be easily reached through the front of the cabinet where the oven will be located. The oven has 3 feet of conduit. Allow two to three feet of slack in the line so that the oven can be moved if servicing is ever necessary. DO NOT shorten the flexible conduit.

#### Location of rating plate



### WIRING REQUIREMENTS

When making the wire connections, use the entire length of the conduit provided (3 feet). The conduit must not be cut.

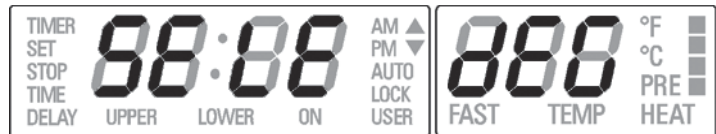
Before making connections make sure the power is off and read and observe the following:

1. A separate three-wire or four-wire, single phase, 240 Volt, 60 Hz or 208 Volt, 60 Hz branch circuit is required for the oven.
2. The oven must be connected with Copper or Aluminum wire.
3. **In the United States:**  
Wiring must conform to the National Electrical Code, ANSI/NFPA No. 7 latest edition. You can obtain a copy of the National Electrical Code by writing to: National Fire Protection Association Batterymarch Park Quincy, MA 02269  
**In Canada:**  
Wiring must conform to Canadian Electrical Code C22.1- latest edition. You can obtain a copy of the Canadian Electrical Code by writing to: Canadian Standards Association 178 Rexdale Boulevard Rexdale (Toronto), Ontario, Canada M9W 1R3
4. Wire size (Copper or Aluminum wire) and connections must be suitable for the rating of the appliance as per the National Electrical Code requirements. The flexible armoured cable extending from the oven should be connected directly to the junction box.
5. The junction box should be located so as to allow as much slack as possible between the junction box and the oven so it can be moved if servicing is ever required.
6. A U.L. listed conduit connector must be provided at each end of the power supply cable.

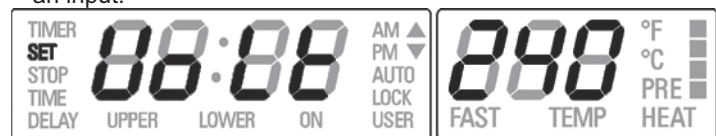
### CONNECTING TO 208 VOLT CIRCUIT

This option is provided for areas where standard 240 Volt service is not available. This option must be accessed with the oven connected to power source, and using the following sequence:

1. Within five minutes from power up, hold [OPTIONS] and [TIME] keys for 3 seconds to enter the user option menu. The display shows as follows:



2. Hold then [TIME] and [LIGHT] keys until the display becomes dark.
3. Hold [OPTIONS] and [LIGHT] further, until the time display shows "Volt" and temperature module shows "240" blinking, waiting for an input.



4. Using [INC] or [DEC] keys, the control toggles between 240V and 208V options. Hold "OPTIONS" to confirm.
5. Hold [TIME] and [LIGHT] keys in order to quit the selection.
6. Hold [OPTIONS] key for 3 seconds to quit the user option menu.

The voltage setting is stored and kept even after a long power-off.

### ⚠ WARNING

#### ELECTRICAL SHOCK HAZARD

- The electrical power to the oven branch circuit must be shut off while line connections are being made.
- Do not use an extension cord with this appliance.
- Electrical ground is required on this appliance. The free end of the green wire (the ground wire) must be connected to a suitable ground. This wire must remain grounded to the oven.
- If cold water pipe is interrupted by plastic, non metallic gaskets, union connections or other insulating materials, DO NOT use for grounding.
- DO NOT ground to a gas pipe.
- DO NOT have a fuse in the NEUTRAL or GROUNDING circuit. A fuse in the NEUTRAL or GROUNDING circuit could result in an electrical shock.
- Check with a qualified electrician if you are in doubt as to whether the appliance is properly grounded.
- Failure to follow these instructions could result in serious injury or death.

### ⚠ CAUTION

Do not repair or replace any part of the appliance unless specifically recommended in the manual. All other servicing should be done by a qualified technician. This may reduce the risk of personal injury and damage to the oven.

Never modify or alter the construction of the appliance by removing panels, wire covers, screws, or any other part of the product.

### ELECTRICAL CONNECTIONS

**Be sure your appliance is properly installed and grounded by a qualified technician. Ask your dealer to recommend a qualified technician or an authorized repair service.**

This appliance is manufactured with a green GROUND wire connected to the oven chassis. After making sure that the power has been turned off, connect the flexible conduit from the oven to the junction box using a U.L. listed conduit connector. Figures A and B and the instructions provided below present the most common way of connecting the ovens. Your local codes and ordinances, of course, take precedence over these instructions. Complete electrical connections according to local codes and ordinances

**“WARNING” Risk of Electric Shock, frame grounded to neutral of appliance through a link.**

Grounding through the neutral conductor is prohibited for new branch-circuit installations (1996 NEC); mobile homes; and recreational vehicles, or in an area where local codes prohibit grounding through the neutral conductor. For installations where grounding through the neutral conductor is prohibited:

- Disconnect the ground from the neutral at free end of conduit;
- Use grounding terminal or lead to ground unit; and
- Connect neutral terminal or lead to branch circuit neutral in usual manner.

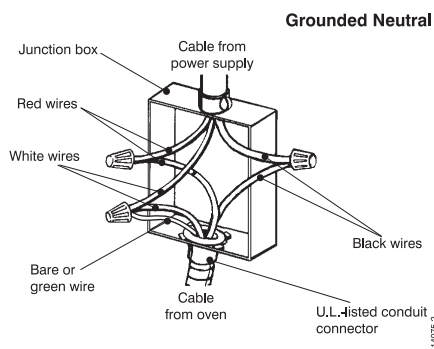


Figure A

### 3-WIRE BRANCH CIRCUIT (for US only)

Refer to Figure A, where local codes allow the connection of GROUND wire from the oven to the branch circuit NEUTRAL wire (gray or white colored wire):

- If local codes permit, connect the green GROUND wire from the oven and the white wire from the oven to the branch circuit NEUTRAL wire (gray or white colored wire).
- Connect the red and black leads from the oven to the corresponding leads in the junction box.

### 4-WIRE BRANCH CIRCUIT (for US and CANADA)

Refer to Figure B:

- Disconnect ground from neutral at free end of conduit.
- Connect the green GROUND wire from the oven to the GROUND wire in the junction box (bare or green colored wire).
- Connect the red and black leads from the oven to the corresponding leads in the junction box.
- Connect the white wire from the oven to the NEUTRAL (gray or white) wire in the junction box.

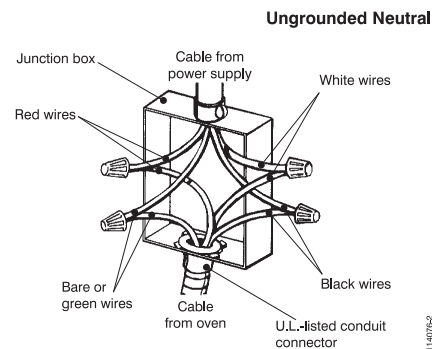


Figure B

### FINAL CHECKLIST

To prevent improper connections leading to damage of electrical components and so voiding the warranty, the following steps must be performed:

1. Check the electrical requirements and make sure you have the correct electrical supply and that the oven is properly grounded.
2. Turn on the power supply to the oven.
3. Check power at the junction box wires using a voltmeter having a range of 0-250 VAC.  
If you have installed the oven for use on 240 Volt supply, you should find that the voltage reading between the black and red wires (Line to Line) should be 220 to 240 Volts.  
If you have modified the oven(s) for use on 208 Volt, the voltage reading between the black and red wires should be 190 to 208 Volts.
4. Set the clock by following these steps:
  - Press [TIME] key twice until the display shows “SET TIME”.
  - Immediately press [INC] or [DEC] keys to set hours.
  - Press [TIME] key again to change minutes.

- Immediately press [INC] or [DEC] keys to set minutes, hold to change by ten (10) minutes step.
- Press [TIME] key or wait for a few seconds.  
Clock is now set.
- 5. Test the bake mode by following this step:
  - Move cooking mode knob to “BAKE” position.
  - Cooling fan, oven lights, preheat led will turn on.
  - A beep is sounded when the oven reaches the preset 350 °F (175 °C) and the preheat light turn off.
  - Move the knob back to “OFF” position to stop cooking.
- 6. To check the other oven functions refer to the “Using the Oven Controls” section of the USE AND CARE MANUAL.
- 7. If the oven is working properly, turn off the power supply to the oven.
- 8. Place the cover on the junction box and make sure the cover is securely fastened and turn on the power to the oven.

**Leave these INSTALLATION instructions as well as the USE AND CARE MANUAL with the owner.**



TABLE DES MATIERES					
	page		page		page
Introduction	7	Remarques d'installation	8	Connexion à un circuit de 208V	11
Outils nécessaires	7	Installation des parois d'un four simple	9	Branchement électrique	12
Alimentation requise	7	Installation des parois d'un four double	9	Connexion à 3 fils	12
Choix de l'emplacement du four	7	Installation en alignement	10	Connexion à 4 fils	12
Etapes de l'installation	7	Alimentation électrique	11	Liste finale de vérifications	12
Données techniques	8	Câblage nécessaire	11		

**IMPORTANT:** Gardez ces instructions pour une utilisation d'inspection électrique locale  
**INSTALLATEUR:** Veuillez laisser ce manuel au propriétaire pour de futures références.  
**PROPRIETAIRE:** Veuillez garder ce manuel pour de futures références.


**AVERTISSEMENT**

**Si l'information de ce manuel n'est pas suivie exactement, cela peut provoquer un incendie ou une explosion pouvant entraîner des dégâts, des blessures ou la mort.**

**INTRODUCTION**

Veuillez lire ces instructions **COMPLETEMENT ET SOIGNEUSEMENT**. Cela vous fera gagner du temps et épargner des efforts et vous aidera à assurer les meilleures performances du four.

Assurez-vous de bien observer tous les AVERTISSEMENTS. Ces instructions d'installation sont conçues pour l'utilisation d'un installateur qualifié.

En plus de ces instructions, le four doit être installé :

- Aux Etats-Unis selon le Code électrique national/de l'Etat et les codes municipaux codes et/ou les codes locaux.
- Au Canada, selon le code électrique canadien C22.1-dernière édition/codes provinciaux et municipaux et/ ou les codes locaux.

Il faut toujours les suivre soigneusement.

**REMARQUE : SI VOUS INSTALLEZ VOTRE FOUR AU CANADA VERIFIEZ QUE VOUS AVEZ UN MODELE AVEC LA MARQUE US ET CANADIENNE LISTEE**



**LA MARQUE COMME INDIQUEE CI-DESSUS:**

La marque comme indiquée ci-dessus signifie que le four observe les standards américains et canadiens.

**OUTILS NECESSAIRES**

Vous aurez besoin des outils suivants pour installer votre nouveau four :

- Mètre enrouleur et règle à tracer ou règle
- Crayon
- Tournevis Philips
- Niveau
- Cutter de fils électriques et des dénude - fil
- Scie sauteuse ou scie à main
- Scie - cloche de 1" (2,5 cm)
- Mèche et perceuse
- Gants et lunettes de sécurité
- Voltmètre (0-250VAC)

**EMBALLAGE**

Enlevez tous les adhésifs et emballage avant d'utiliser le four. Détruisez tous les emballages après avoir désemballer le four en suivant les règles d'usage de votre ville. Ne laissez jamais les enfants jouer avec les emballages.

**ALIMENTATION NECESSAIRE**

Le four doit être alimenté avec la fréquence et la tension appropriée. Le four est fabriqué pour être branché à une alimentation électrique triphasée ou à quatre fils, en simple phase, 120/240 Volt, 60 Hz CA sur un circuit séparé avec fusibles des deux côtés de la ligne. Si un circuit de 120/208 Volt doit être utilisé, voyez Connexion à un circuit de 120/208 Volt dans ce manuel. Un disjoncteur ou un dispositif de surcharge dont la taille n'excède pas la valeur du circuit de l'appareil spécifié sur la plaque de valeurs située sur le cadre derrière la porte du four est recommandé (voir figure à la page 11).

Le four ne doit être branché qu'avec des fils de cuivre ou aluminium.

Si un câble en aluminium est fourni pour la connection du four au circuit électrique, il est nécessaire utiliser les connecteurs énumérés par UL. Suivez les instructions fournies avec les connecteurs.

Il est recommandé que vous ayez un branchement électrique parfaitement raccordé par un électricien qualifié. Après tout avoir installé, l'électricien doit vous montrer où est le débranchement principal et quels sont les fusibles et le disjoncteur et les fusibles pour le four.

**CHOIX DE L'EMPLACEMENT DU FOUR**




Choisissez précautionneusement l'emplacement du four. Le four doit être situé pour un usage approprié dans la cuisine, mais toujours loin de courants d'air.

Les courants d'air peuvent être provoqués par des portes ouvertes ou des fenêtres, ou par des ventilateurs ou l'air conditionné. Assurez-vous que le branchement peut arriver jusqu'à l'emplacement choisi.

**ETAPES DE L'INSTALLATION**

Les pages suivantes fournissent les informations nécessaires pour l'installation propre du four dans l'ordre suivant :

- Données techniques
- Dimensions de découpe de l'installation, espace libre nécessaire et instructions de montage pour :  
 -Installation du dessous de plan de travail, four simple  
 -Installation paroi, four simple  
 -Installation paroi, four double
- Alimentation électrique et branchement électrique nécessaires, Programmation nécessaire si connexions à un circuit de 120/208 Volt. Connexion électrique pour un branchement à trois fils ou quatre fils.
- Liste finale de verifications.

<b>DONNEES TECHNIQUES</b> Pour les dimensions de découpe voir la section suivante intitulée: Préparation de l'emplacement		Caractéristiques électriques et puissance raccordée maximum			
		@ 120/240 Volts 60 Hz		@ 120/208 Volts 60 Hz	
<b>FOUR SIMPLE</b>		Ampères	kW	Ampères	kW
VEBIEM3030SS		16,9	3,84	17,5	3,54
<b>FOUR DOUBLE</b>		Ampères	kW	Ampères	kW
	 				
VEBIEM3030DSS		33,8	7,68	32,4	6,48

### REMARQUES D'INSTALLATION

1. Ne faites pas glisser le four par terre. Vous pourriez abîmer par terre.
2. La surface du support du four doit être une plate-forme de contreplaqué d'au minimum 2 cm (3/4") d'épaisseur. Pour les fours simples, elle doit supporter 202 pounds (92 kg). Pour les fours doubles, elle doit supporter 379 pounds (172 kg). La plate-forme doit être solide, plane avec le fond du meuble découpé.
3. Faites extrêmement attention lors du déplacement et de l'installation du four. Il est très lourd. **NE SOULEVEZ PAS LE FOUR PAR SA POIGNEE**, enlevez la porte pour le tenir et l'installer plus facilement. Voyez **DEMONTAGE DE LA PORTE** dans la section entretien du manuel d'entretien et d'utilisation.
4. Faites très attention lorsque vous déplacez ou vous installez le four pour éviter d'endommager le montant ou d'abîmer le meuble.
5. Assurez-vous que le four est bien équerre. Un four qui n'est pas droit peut donner des cuissons imparfaites .
6. Faites attention en plaçant le four. Ne pincez pas le conduit entre le four et l'arrière du four.



### AVERTISSEMENT

Avant d'installer ou de déplacer le four, coupez l'alimentation au panneau de service. Fermez le tableau de service pour éviter que le courant soit remis accidentellement. Accrochez fixement le four au meuble à l'aide des vis fournies.

Si vous ne le faites pas, le four peut bouger ou basculer pendant l'utilisation et endommager le four ou le meuble ou blesser quelqu'un.

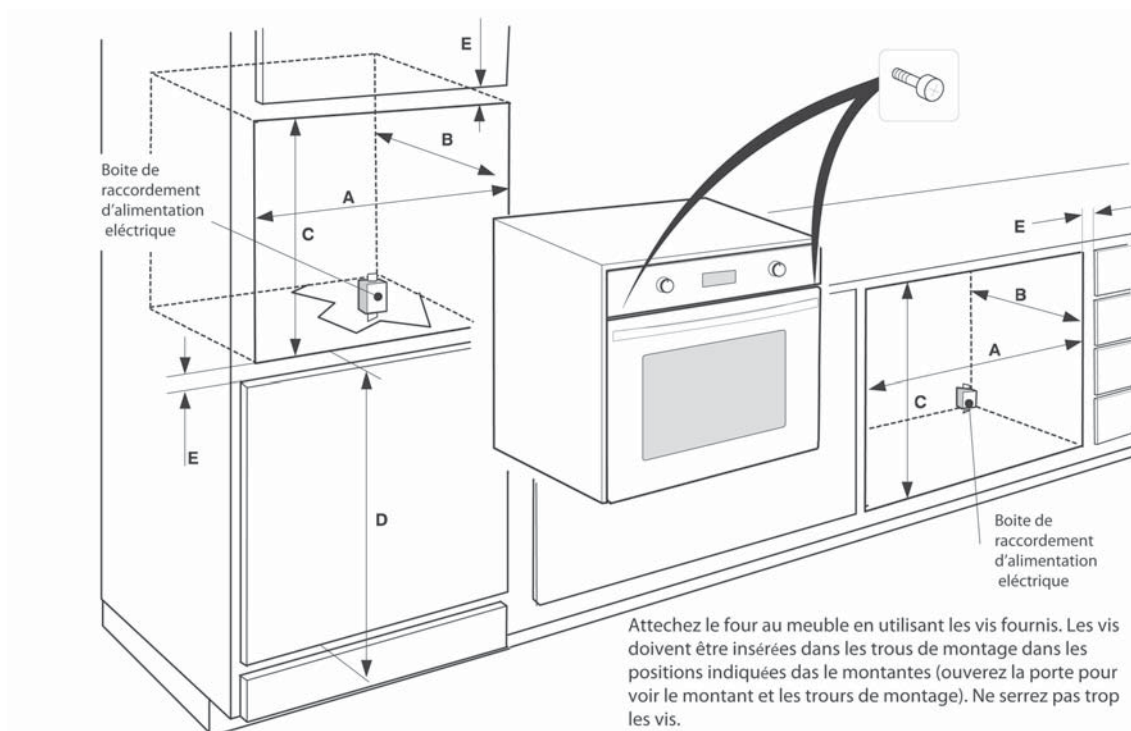
Sachez comment déconnecter l'alimentation du four au disjoncteur ou au boîtier de fusibles en cas d'urgence.



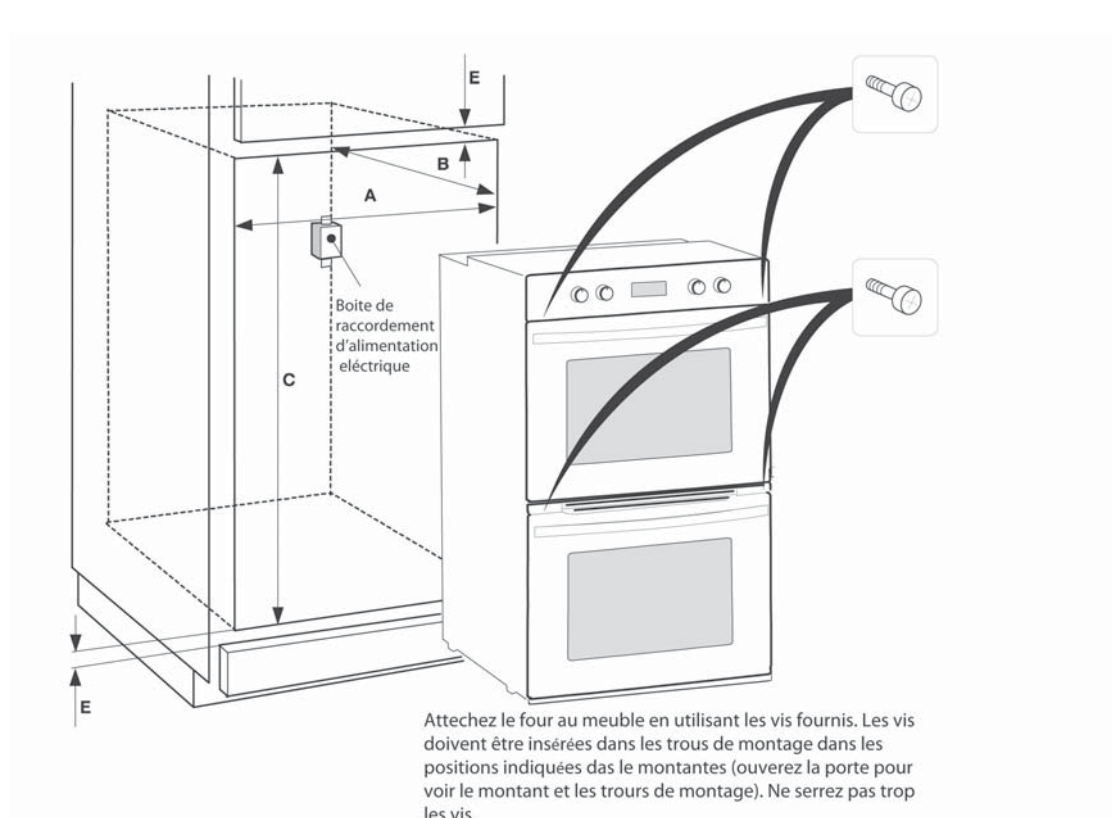
### ATTENTION

L'appareil est lourd et il faut au moins deux personnes ou un équipement approprié pour le déplacer.

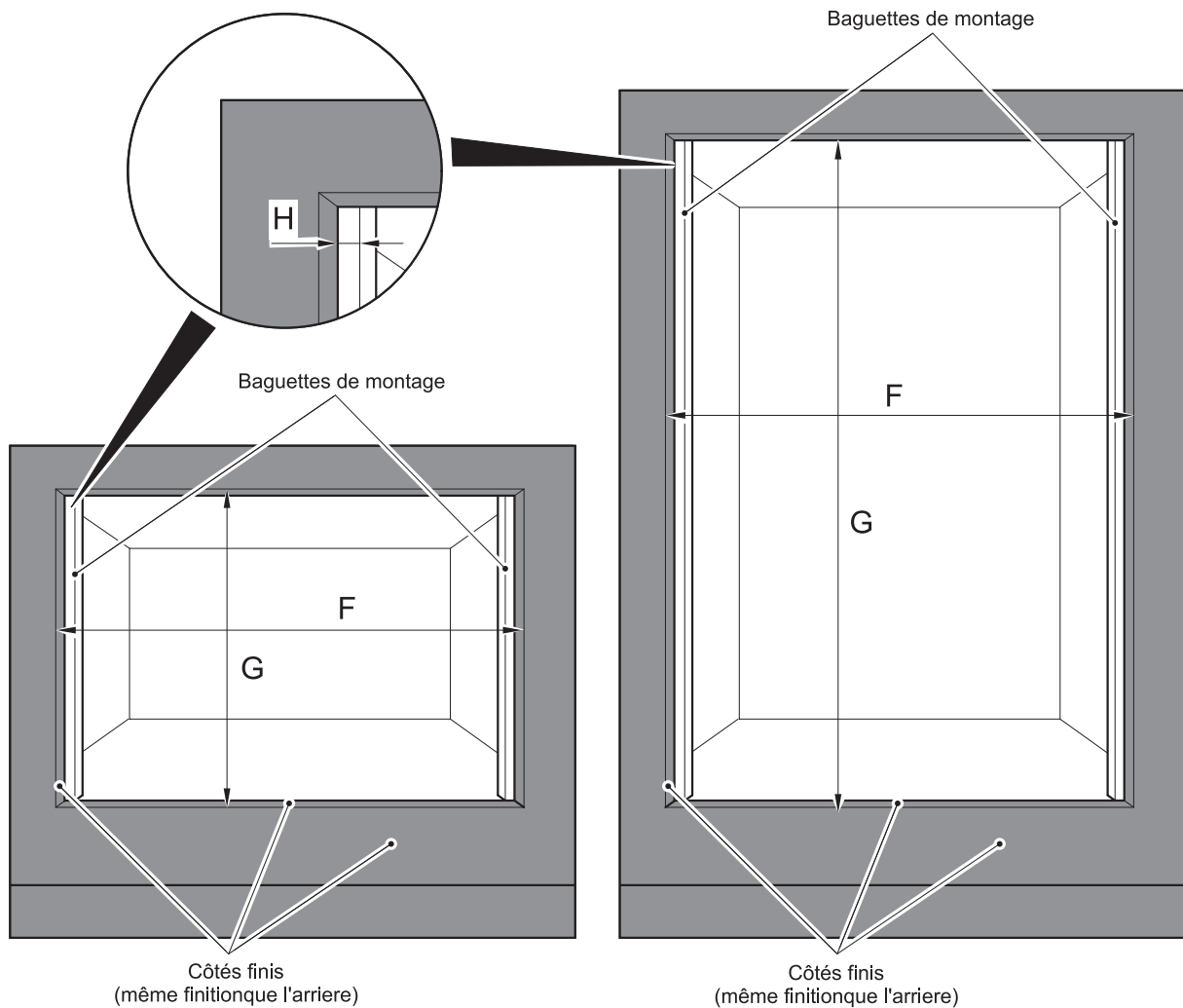
Ltr.	DIMENSION	SIMPLE	DOUBLE
		30"	30"
<b>A</b>	Découpe largeur	28 7/16" (72,2 cm)	28 7/16" (72,2 cm)
<b>B</b>	Découpe profondeur	24" (61 cm)	24" (61 cm)
<b>C</b>	Découpe hauteur	27 3/8" (69,5 cm)	49 3/4" (126,5 cm)
<b>D</b>	Fond de la découpe	34" (86,5 cm)	N/A
<b>E</b>	Installation en alignement	1/2" (1,3 cm) min	1/2" (1,3 cm) min

**INSTALLATION DES PAROIS, FOUR SIMPLE**


Attechez le four au meuble en utilisant les vis fournis. Les vis doivent être insérées dans les trous de montage dans les positions indiquées das le montantes (ouvrez la porte pour voir le montant et les trous de montage). Ne serrez pas trop les vis.

**INSTALLATION DES PAROIS, FOUR DOUBLE**


Attechez le four au meuble en utilisant les vis fournis. Les vis doivent être insérées dans les trous de montage dans les positions indiquées das le montantes (ouvrez la porte pour voir le montant et les trous de montage). Ne serrez pas trop les vis.

**INSTALLATION EN ALIGNEMENT**


Ltr.	DIMENSION	SIMPLE	DOUBLE
		30"	30"
<b>F</b>	Découpe largeur	30 1/16" (76,4 cm)	30 1/16" (76,4 cm)
<b>G</b>	Découpe hauteur	28 1/32" (71,2 cm)	51 (129,5cm)
<b>H</b>	Partie visible des bandes de support	3/4" (1,9 cm)	3/4" (1,9 cm)

### ALIMENTATION ELECTRIQUE

Avant d'installer le four avec un électricien qualifié, vérifiez que votre maison est pourvue du système électrique approprié et qu'en plus le four ne surchargera pas le circuit de branchement sur lequel il doit être installé.

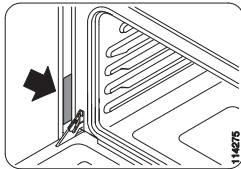
Sont nécessaires un triphasé séparé, ou un four à simple phase à 4 fils, 240 Volt, 60 Hz, ou un 208 Volt, 60Hz.

**REMARQUE** : POUR UNE UTILISATION AVEC 208 V, UNE ALIMENTATION DE TENSION 60 HZ, VOYEZ CONNEXION A UN CIRCUIT DE 208 VOLT.

Pour brancher le four, vous aurez besoin d'une boîte de raccordement approuvée qui est facilement à portée de main à travers le devant du meuble où le four sera placé. Le four a 90 cm de conduit.

Laissez 60 des 90 d'espace entre la ligne électrique pour que le four puisse être déplacé si un dépannage était nécessaire. **NE RACCOURCISSEZ PAS** le conduit flexible.

### Endroit de la plaque de valeurs



### CABLAGE NECESSAIRE

Lorsque vous raccordez les fils, utilisez toute la longueur de conduit fourni (90 cm). Le conduit ne doit pas être coupé.

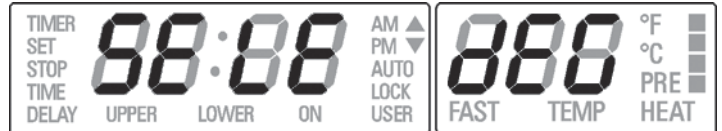
Avant de faire les raccordements, assurez-vous qu'il n'y a plus d'électricité et lisez et observez ce qui suit :

1. Sont nécessaires pour le four un circuit de raccord triphasé ou à quatre fils, simple phase, 240 Volt, 60 Hz ou 208 Volt, 60 Hz.
2. Le four doit uniquement être raccordé avec des fils cuivre ou aluminium.
3. **Aux Etats-Unis :**  
Les fils doivent être conformes au code électrique national, ANSI/NFPA No. 7 dernière édition. Vous pouvez obtenir une copie du code électrique national en écrivant à : National Fire Protection Association Batterymarch Park Quincy, MA 02269  
**Au Canada :**  
Les fils doivent être conformes au code électrique canadien C22.1- dernière édition. Vous pouvez obtenir une copie du code électrique canadien en écrivant à : Canadian Standards Association 178 Rexdale Boulevard Rexdale (Toronto), Ontario, Canada M9W 1R3
4. La taille des fils (CUIVRE OU ALUMINIUM) et des connexions doit être appropriée aux caractéristiques des appareils électroménagers par le code électrique national. Le câble armé flexible s'étendant du four doit être connecté directement au boîtier de raccordement.
5. Le boîtier de raccordement doit être situé pour qu'il y ait un maximum d'espace entre lui et four pour qu'il puisse être déplacé en cas de panne.
6. Un connecteur conduit U.L. listed doit être placé à chaque extrémité du câble de raccordement d'alimentation.

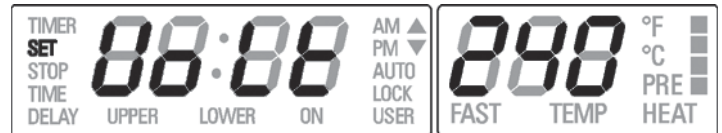
### CONNEXION A UN CIRCUIT DE 208 VOLT

Cette option existe pour les régions où le standard de 240 Volt n'est pas disponible. Il faut accéder à cette option quand le four est branché à une source d'alimentation, et en utilisant les séquences suivantes :

1. Dans les cinq minutes après avoir allumé le four, appuyés sur les clés [OPTIONS] et [TIME] pendant 3 secondes pour entrer le menu option menu utilisateur. L'affichage indique ce qui suit:



2. Appuyez sur les clés [TIME] et [LIGHT] jusqu'à ce que l'écran ne s'assombrisse.
3. Appuyez encore sur [OPTIONS] et [LIGHT], jusqu'à ce que l'affichage horaire indique "Volt" et que le module température clignote un "240", attendant une entrée.



4. En utilisant les clés [INC] ou [DEC], la commande alterne entre les options 240V et 208V. Appuyez sur "OPTIONS" pour confirmer.
5. Maintenez les clés [TIME] et [LIGHT] afin de quitter la sélection.
6. Maintenez la clé [OPTIONS] pendant 3 secondes pour quitter le menu option utilisateur.

Le réglage de la tension est enregistré et gardé même après une longue coupure.



### AVERTISSEMENT

#### DANGER D'ELECTROCUTION

- L'alimentation électrique du circuit du branchement du four doit être coupée lorsque les connexions des lignes sont mises en place.
- N'utilisez pas de cordon d'extension avec cet appareil.
- Une mise électrique à la terre est nécessaire pour cet appareil. L'extrémité libre du fil vert (le fil de garde) doit être connectée à la masse appropriée. Ce fil doit rester branchée à la masse au four.
- Si un tuyau d'eau froide est interrompu par un plastique, des joints non métalliques; des connexions d'union ou d'autres matériaux isolants. **NE L'UTILISEZ pas** pour mettre à la masse.
- Ne branchez pas la masse à un tuyau à gaz.
- **N'AYEZ PAS** de fusible en position neutre ou un circuit à la masse. Un fusible dans un circuit neutre ou à la masse pourrait entraîner une électrocution.
- Vérifiez avec un électricien qualifié si vous avez un doute si votre appareil est correctement raccordé à la masse.
- Si vous ne suivez pas bien ces instructions, cela peut entraîner des blessures graves ou la mort.



### ATTENTION

Ne réparez ou ne remplacez pas des pièces de l'appareil si ce n'est pas spécifiquement recommandé dans le manuel. Tous les autres dépannages doivent être effectués par un technicien qualifié. Ce qui réduirait les risques de blessures et d'endommagements du four. Ne modifiez jamais ou n'altérez jamais la construction de l'appareil en enlevant des panneaux, des couvertures de fil, des vis, ou toute autre pièce du produit.

### CONNEXIONS ELECTRIQUES

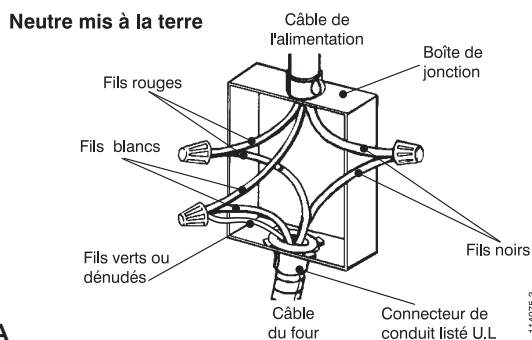
**Assurez-vous que votre installation est correctement installée et branchée par un technicien qualifié.**

**Demandez à votre revendeur un technicien qualifié ou un service de réparation agréé.**

Cet appareil est fabriqué avec un conducteur de terre vert connecté au châssis du four. Après vous être assuré qu'il n'y a plus de courant, branchez le conduit flexible depuis le four jusqu'au boîtier de raccordement en utilisant un connecteur de conduit U.L. listed. Les figures A et B et les instructions fournies présentant la manière la plus commune de brancher un four. Vos codes locaux et règlements sont évidemment prioritaires sur ces instructions. Effectuez les connexions électriques conformément aux codes locaux et les règlements.

**"AVERTISSEMENT" Risque d'électrocution, cadre à la masse à une position neutre d'un appareil par une liaison.** Mettre à la masse par un conducteur neutre est interdit pour les nouvelles installations de circuit électrique (1996 NEC); les mobile homes; et les véhicules de parc, ou dans les régions où les codes locaux interdisent de brancher à la masse à travers un conducteur neutre. Pour les installations où la mise à terre par un conducteur neutre est interdit:

- Déconnectez la masse du conducteur neutre aux extrémités libres du conduit ;
- Utilisez la borne de terre ou une broche de raccordement pour mettre à la terre l'unité; et



**Figure A**

### LISTE DE VERIFICATION FINALE

Pour éviter que des connexions de raccordement n'endommagent les composants électriques et d'annuler la garantie, les étapes suivantes doivent être exécutées:

1. Vérifiez les conditions électriques et vérifiez que votre alimentation électrique est correcte et que le four est correctement mis à la masse.
2. Remettez l'alimentation électrique au four.
3. Vérifiez l'alimentation aux fils de boîtier de raccordement en utilisant un voltmètre ayant une fourchette de 0-250 V AC. Si vous avez installé le four pour une utilisation d'une puissance de 240 Volt, vous devriez trouver une lecture entre les fils rouge et noir (phase à phase) de 220 à 240 Volts. Si vous avez modifié le ou les fours pour une utilisation de 208 Volt, la lecture du voltage entre les fils rouge et noir sera entre 190 et 208 Volts.
4. Réglez l'horloge en suivant les étapes suivantes:
  - Appuyez sur la clé [TIME] deux fois jusqu'à ce que l'affichage indique "SET TIME".
  - Appuyez immédiatement sur les clés [INC] ou [DEC] pour régler l'heure.
  - Appuyez sur la clé [TIME] pour changer les minutes.

- Connectez la borne neutre ou une broche de raccordement pour brancher le circuit neutre de manière usuelle.

### CONNEXION À 3 FILS (Pour US seulement)

Selon la Figure A, où les codes locaux permettent la connexion du conducteur de terre du four au fil NEUTRE du circuit de branchement (fil gris ou coloré blanc):

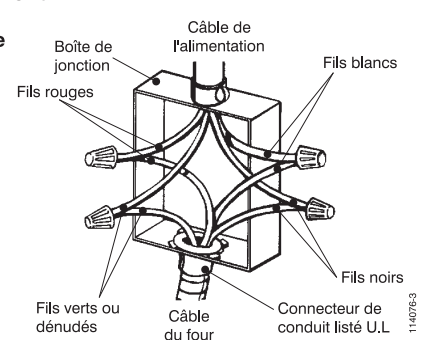
- Si les codes locaux le permettent, connectez le conducteur de terre vert du four et le fil blanc du four au fil NEUTRE du circuit de branchement (fil gris ou coloré blanc).
- Connectez les broches de raccordement du four aux broches de raccordement correspondantes dans le boîtier de raccordement.

### CONNEXION À 4 FILS (Pour des US ou CANADA)

Selon la Figure B :

- Déconnectez la masse du point neutre aux extrémités du conduit.
- Connectez le conducteur de terre vert du four au conducteur de terre dans le boîtier de raccordement (fil nu ou coloré vert).
- Connectez les broches de raccordement rouge et noir du four aux broches de raccordement correspondantes dans le boîtier de raccordement.
- Connectez le fil vert du four au fil neutre (gris ou blanc) dans le boîtier de raccordement.

### Neutre non mis à la terre



**Figure B**

- Appuyez immédiatement sur les clés [INC] ou [DEC] pour régler les minutes, maintenez pour changer par étape de dix (10) minutes.
- Appuyez sur la clé [TIME] ou attendez pendant quelques secondes.

La pendule est maintenant réglée.

5. Testez le mode cuisson en suivant les étapes suivantes:
  - Déplacez le bouton mode cuisson sur la position "CUISSON".
  - Le ventilateur de refroidissement, l'éclairage du four, le DEL du préchauffage s'allument.
  - Un bip sonne lorsque le four atteint le pré-réglage de 350°F (175°C) et le voyant de préchauffage s'éteint.
  - Déplacez le bouton sur la position "ARRET" pour arrêter le refroidissement.
6. Pour vérifier les autres fonctions du four, reportez-vous à la section "Utilisation des commandes du four" dans le MANUEL D'UTILISATION ET D'ENTRETIEN.
7. Si le four fonctionne correctement, éteignez l'alimentation du four.
8. Placez le couvercle sur le boîtier de raccordement et vérifiez que le couvercle est bien attaché et allumez le four.

**Donnez ces instructions d'INSTALLATION comme le MANUEL D'UTILISATION ET D'ENTRETIEN au propriétaire.**

<i>TABELA DE CONTENIDO</i>	página		página		página
Introducción	13	Notas para la instalación	14	Conexión a un circuito de 208V	17
Herramientas necesarias	13	Instalación bajo la encimera de horno individual	15	Conexión eléctrica	18
Requisitos de corriente	13	Instalación empotrada, horno doble	15	Circuito derivado de 3 hilos	18
Elegir la colocación del horno	13	Instalación plana	16	Circuito derivado de 4 hilos	18
Pasos para la instalación	13	Suministro eléctrico	17	Lista de comprobaciones finales	18
Datos técnicos	14	Requisitos de cableado	17		

**IMPORTANTE:** Guarde estas instrucciones para el uso del inspector eléctrico local.  
**INSTALADOR:** Por favor, deje este manual a propietario para futuras consultas.  
**PROPIETARIO:** Por favor, conserve este manual para futuras consultas.



### ATENCIÓN

**Si no se siguen exactamente las siguientes instrucciones de este manual, puede provocarse un incendio o explosión causando daños a la propiedad, heridas a la persona o la muerte.**

## INTRODUCCIÓN

Por favor, lea **ATENTA Y COMPLETAMENTE** estas Instrucciones. Puede hacerle ahorrar tiempo y esfuerzo y ayudarle a garantizar un rendimiento óptimo del horno. Asegúrese de que respeta todas las ADVERTENCIAS. Estas instrucciones de instalación están concebidas par el uso de un instalador cualificado. Además de estas instrucciones, el horno tendrá que instalarse:

- En los Estados Unidos, en conformidad con el Código Eléctrico Nacional/los normas Municipales y Estatales y/o las normas locales.
- En Canadá, en conformidad con el Código Eléctrico Canadiense (Canadian Electric Code) C22.1-última edición/normas Municipales y Provinciales y/o normas locales.

Estas han de seguirse cuidadosamente todo el tiempo.

**NOTA: SI INSTALA SU HORNO EN CANADÁ POR FAVOR, CONTROLE Y ASEGÚRESE QUE TIENE UN MODELO QUE APARECE EN LAS LISTAS CANADIENSES Y US**



**MARCA, SE MUESTRA COMO ARRIBA:**

La marca que se muestra arriba significa que el horno cumple con los estándares Estadounidenses y Canadienses.

## HERRAMIENTAS NECESARIAS

Para instalar su nuevo horno necesitará las siguientes herramientas:

- Cinta de medir y una regla o un metro
- Un lápiz
- Un destornillador Phillips
- Un nivel
- Alicates y pelador de cales
- Una sierra perforadora de 1-pulgada
- Sierra de mano o sierra de vaivén
- Una sierra perforadora de 1"
- Taladro y brocas
- Guantes y gafas de seguridad
- Voltímetro (0-250VAC)

## EMBALAJE

Elimine todas las cintas y embalajes antes de utilizar el horno. Destruya el embalaje después de desembalar el horno siguiendo las reglas en vigor en su ciudad. No permita nunca que los niños jueguen con el material de embalaje.

## REQUISITOS DE CORRIENTE

El horno ha de estar abastecido con el voltaje y la frecuencia apropiados. El horno ha sido fabricado para conectarse a una alimentación eléctrica de una sola fase de 3 cables o 4 cables, 120/240 Voltios, 60 Hz AC en un circuito separado con fusible en ambos lados de la línea. Si se tiene que usar un circuito 120/208 Voltios, vea la conexión al circuito de 120/208 Voltios de este manual. Se recomienda un cortacircuitos o un fusible de retraso dimensionados para no exceder la potencia nominal de circuito del aparato como se especifica en la placa de potencia colocada en el marco detrás de la puerta del horno (ver la figura en la página 17).

El horno ha de abastecerse ÚNICAMENTE con hilos de cobre o aluminio.

Si hay en dotación un cable de aluminio por conectar El horno al circuito de conexión, hay que utilizar los Conectores de union de UL de cobre y aluminio.

Le recomendamos que el cableado eléctrico y los hilos de Seguir atentamente las instrucciones de los conectores. conexiones de su horno los realice un electricista cualificado. Cuando la instalación se haya terminado, haga que el electricista le muestre donde se encuentra el interruptor principal de su horno y cuáles son sus cortocircuitos y fusibles.

## ELEGIR LA COLOCACIÓN DEL HORNO

Elija con cuidado el lugar donde colocará su horno.




El horno tiene que colocarse para un uso práctico en la cocina, pero alejado de corrientes de aire fuertes.

Las corrientes de aire fuertes puede provocar la apertura de puertas o ventanas, o de ventiladores de aire acondicionado o de calentadores. Asegúrese de que se pueda suministrar la corriente eléctrica en el lugar seleccionado.

## PASOS PARA LA INSTALACIÓN

Las siguientes páginas proporcionan la información necesaria para instalar de manera apropiada el horno y están organizadas de la siguientes manera:

- Datos técnicos
- Instalación de las dimensiones del hueco, Dimensiones requeridas e instrucciones de montaje para :
  - Instalación bajo la encimera, horno individual
  - Instalación empotrada, horno individual
  - Instalación empotrada, horno doble
- Alimentación eléctrica y requisitos de cableado, Programación requerida si está conectado a un circuito de 120/208 Voltios. Conexiones eléctricas para circuitos derivados de 3 o 4 cables.
- Lista de comprobaciones finales.

<b>DATOS TÉCNICOS</b> Para dimensiones de hueco vea la siguiente sección titulada: Preparación del lugar		Intensidad de la Corriente Eléctrica y Máxima Potencia Admisible			
		@ 120/240 Voltios 60 Hz		@ 120/208 Voltios 60 Hz	
<b>HORNO INDIVIDUAL</b>		<b>Amperios</b>	<b>Vatios</b>	<b>Amperios</b>	<b>Vatios</b>
VEBIEM3030SS		16,9	3,84	17,5	3,54
<b>HORNO DOBLE</b>		<b>Amperios</b>	<b>Vatios</b>	<b>Amperios</b>	<b>Vatios</b>
	 				
VEBIEM3030DSS		33,8	7,68	32,4	6,48

### NOTAS PARA LA INSTALACIÓN

1. No arrastre el horno por el suelo. Puede causar daños al piso.
2. La superficie de soporte del horno tiene que ser como mínimo una plataforma de contrachapado de 3/4" de espesor. Para hornos individuales, puede soportar 202 libras. Para hornos dobles, puede soportar 379 libras. La plataforma tiene que ser sólida, nivelada y alineada con la parte inferior del hueco del armario de cocina.
3. Tenga mucho cuidado cuando mueva e instale el horno. Es muy pesado. **NO LEVANTE EL HORNO POR LA MANILLA DE LA PUERTA**, quite la puerta para manejarlo e instalarlo más fácilmente. Vea **QUITAR LA PUERTA** en la sección de mantenimiento del Manual de Uso y Mantenimiento.
4. Tenga mucho cuidado cuando mueva o instale el horno para evitar daños al horno o a los muebles de la cocina.
5. Asegúrese de nivelar el horno. Un horno que no está bien nivelado puede dar escasos y malos resultados de cocción.
6. Tenga cuidado cuando coloque el horno. **NO pille el conducto entre la parte posterior del horno.**

### **ADVERTENCIA**

Antes de instalar o quitar el horno, apague en OFF el panel de servicio. Cierre el panel de servicio para evitar que llegue corriente debido a que se ha encendido ON accidentalmente. Sujete bien el horno al mueble utilizando los tornillos en dotación. El incumplimiento de esto puede provocar que el horno se mueva o se vuelque durante el uso y provoque daños al horno y a los muebles o heridas personales.

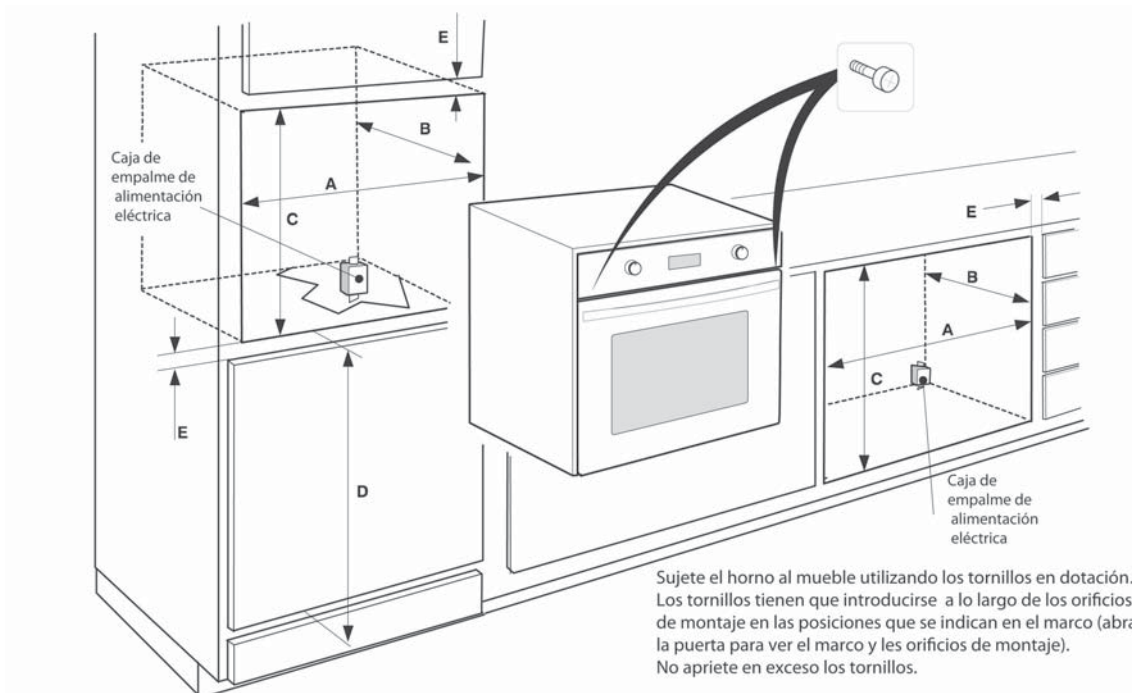
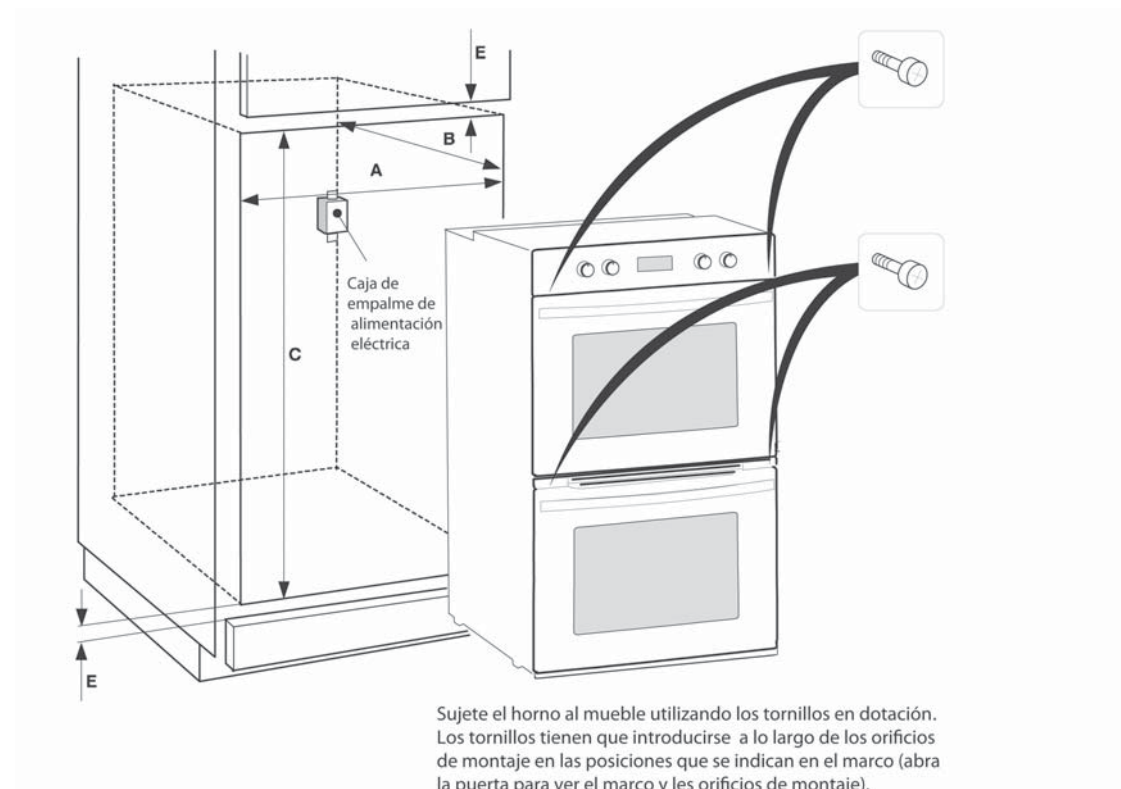
Sepa como se desconecta la corriente del horno del cortocircuito y de la caja de fusibles en caso de emergencia.

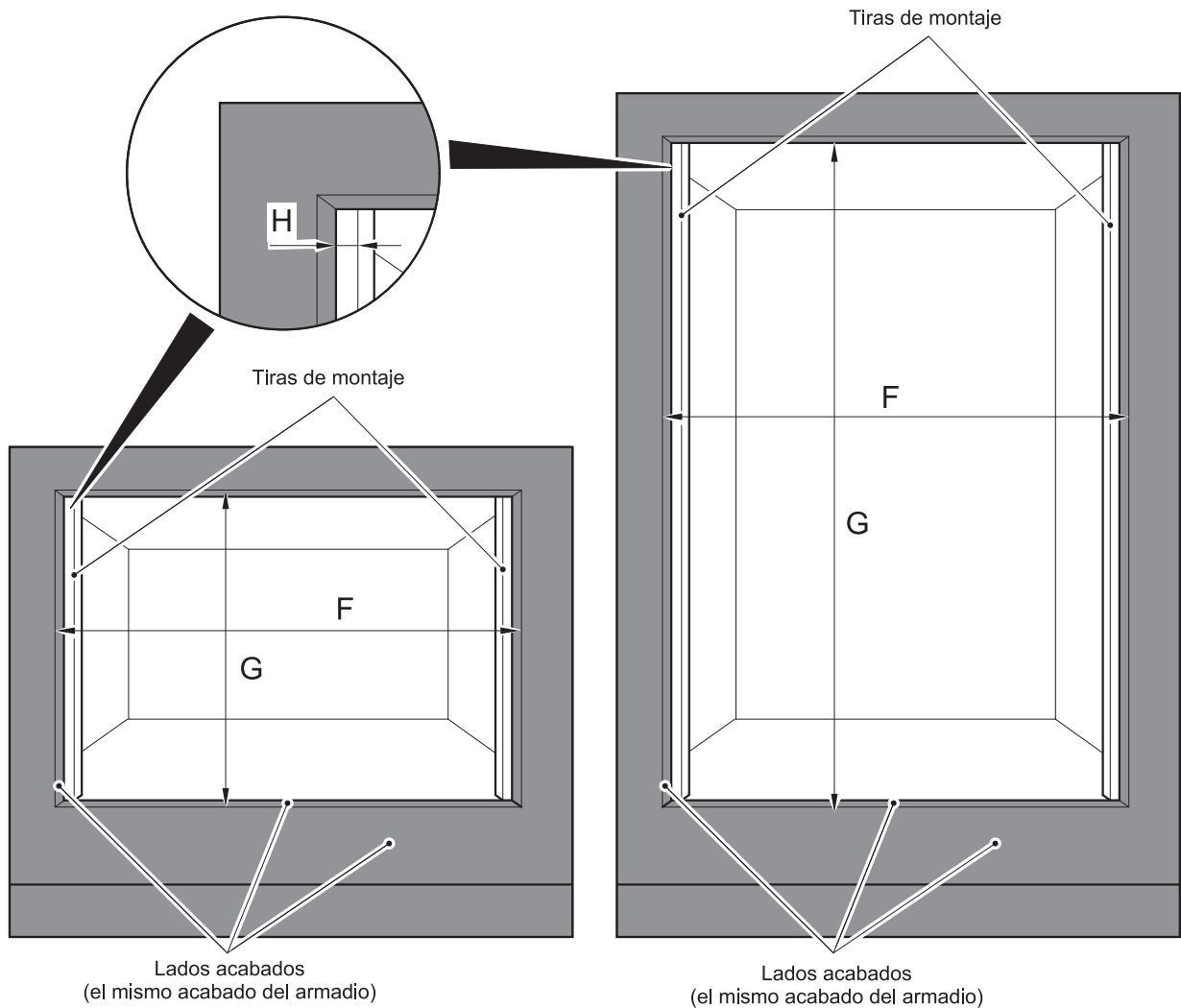
### **PRECAUCIÓN**

El aparato es pesado y para moverlo requiere como mínimo dos personas o el equipamiento apropiado.

Letra.	DIMENSIONES	INDIVIDUAL	DOBLE
		30"	30"
<b>A</b>	Ancho hueco	28 7/16" (72,2 cm)	28 7/16" (72,2 cm)
<b>B</b>	Profundidad hueco	24" (61 cm)	24" (61 cm)
<b>C</b>	Alto hueco	27 3/8" (69,5 cm)	49 3/4" (126,5 cm)
<b>D</b>	Superficie inferior del hueco	34" (86,5 cm)	N/A
<b>E</b>	Instalación empotrada	1/2" (1,3 cm) min	1/2" (1,3 cm) min



**INSTALACIÓN EMPOTRADA, HORNO INDIVIDUAL**

**INSTALACIÓN EMPOTRADA, HORNO DOBLE**


**INSTALACIÓN PLANA**


114260B5

Letra.	DIMENSIONES	INDIVIDUAL	DOBLE
		30"	30"
<b>F</b>	Ancho hueco	30 1/16" (76,4 cm)	30 1/16" (76,4 cm)
<b>G</b>	Alto hueco	28 1/32" (71,2 cm)	51 (129,5cm)
<b>H</b>	Parte visible de la tiras de montaje	3/4" (1,9 cm)	3/4" (1,9 cm)

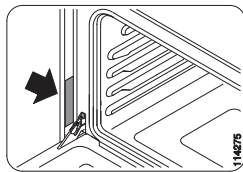
### ALIMENTACIÓN ELÉCTRICA

Antes de instalar el horno haga que un electricista cualificado controle que su casa recibe un servicio eléctrico apropiado y que el añadido del horno no sobrecarga el circuito derivado en el que se instalará. Se precisa un circuito derivado de una sola fase separada de tres o cuatro cables, 240 Voltios, 60 Hz, o un circuito derivado de 208 Voltios, 60Hz.

**NOTA: PARA USAR CON UN VOLTAJE DE ALIMENTACIÓN DE 208 V, 60 HZ, VEA LA CONEXIÓN A UN CIRCUITO DE 208 VOLTIOS.**

Para conectar el horno necesita tener instalada una caja de empalme apropiada a la que sea fácil llegar a lo largo de la parte frontal del mueble en el que se colocará el horno. El horno tiene tres pies de conductos. Permita dos de tres pies de holgura en los conductos de manera que el horno se pueda mover si fuera necesario hacer un mantenimiento. NO acorte el conducto flexible.

#### Localización de la placa de potencia



### REQUISITOS DE CABLEADO

Cuando realice las conexiones de los hilos, use toda la longitud de los conductos suministrados (3 pies). No hay que cortar el conducto.

Antes de realizar las conexiones asegúrese de que la corriente está apagada y lea y observe lo siguiente:

1. Se precisa un circuito derivado de una sola fase separada de tres o cuatro cables, 240 Voltios, 60 Hz o 208 Voltios, 60 Hz para el horno.
2. El horno SOLO se tiene que conecta con HILOS DE COBRE O ALUMINIO.
3. **En los Estados Unidos:**  
El cableado tiene que ser conforme con el Código Eléctrico Nacional, ANSI/NFPA No. 7 última edición. Puede obtener una copia del Código Eléctrico Nacional escribiendo a: National Fire Protection Association Batterymarch Park Quincy, MA 02269
- En Canadá:**  
El cableado tiene que se conforme con el Código Eléctrico Canadiense C22.1- última edición. Puede obtener una copia del Código Eléctrico Canadiense escribiendo a: Canadian Standards Association 178 Rexdale Boulevard Rexdale (Toronto), Ontario, Canada M9W 1R3
4. Las dimensiones del HILO (HILO DE COBRE O ALUMINIO) y las conexiones tienen que ser las apropiadas para la clasificación de aparatos domésticos para los requisitos del Código Eléctrico nacional.

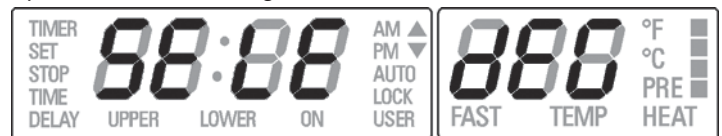
El cable flexible blindado que se prolonga desde el horno tiene que conectarse directamente a la caja de empalme.

5. La caja de empalme tienen que estar colocada de manera que permita la máxima holgura posible entre la caja del empalme y el horno por si fuera necesario moverlo para hacer un mantenimiento.
6. Un conector de conducto que figure en la lista U.L. tiene que proporcionarse a cada lado del cable de alimentación eléctrica.

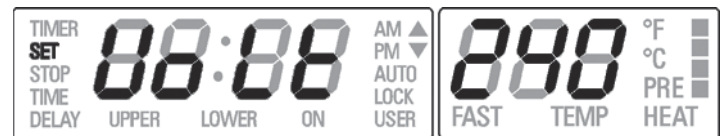
### CONEXIÓN A UN CIRCUITO DE 208 VOLTIOS

Esta opción se suministra para áreas en donde el servicio de 240 voltios estándar no se encuentra a disposición. Se tiene que acceder a esta opción con el horno conectado a la toma de corriente y utilizar la siguiente secuencia:

1. En el intervalo de cinco minutos después del encendido, mantenga pulsadas las teclas [OPTIONS] y [TIME] durante 3 segundos para acceder al menú de opciones de usuario. La pantalla mostrará lo siguiente:



2. A continuación, mantenga pulsadas las teclas [TIME] y [LIGHT] hasta que la pantalla se oscurezca.
3. Mantenga pulsadas [OPTIONS] y [LIGHT] durante más tiempo hasta que la pantalla de hora muestre "Volt" y "240" parpadee en el módulo de temperatura a la espera de una entrada.



4. Al utilizar las teclas [INC] o [DEC], el control conmutará entre las opciones de 240 V y 208 V. Mantenga pulsada [OPTIONS] para confirmar.
5. Mantenga pulsadas las teclas [TIME] y [LIGHT] para salir de la selección.
6. Mantenga pulsada la tecla [OPTIONS] durante 3 segundos para salir del menú de opciones de usuario.

La configuración de voltaje se almacena y se guarda incluso después de un largo apagado.



### ADVERTENCIA

#### PELIGRO DE ELECTROCUCIÓN

- La alimentación eléctrica del circuito derivado del horno tiene que desconectarse cuando se están realizando las conexiones de la línea.
- No utilice alargadores con el aparato.
- El aparato precisa de una toma de puesta a tierra. El final libre del hilo verde (el hilo de tierra) tiene que conectarse con una toma de tierra apropiada. Este hilo tiene que permanecer conectado a tierra al horno.
- Si la línea de agua fría se interrumpe con empaques de plástico, no con juntas de estanquidad metálicas, conexiones de unión o materiales aislantes, NO utilice para la puesta a tierra.
- NO conecte a tierra a la tubería del gas.
- NO tenga un fusible en el circuito de NEUTRO o de TIERRA. Un fusible en el circuito de NEUTRO o en el de TIERRA puede provocar descargas eléctricas.
- Consulte con un electricista cualificado en el caso de que tenga alguna duda si su aparato está bien conectado a tierra.
- Equivocarse al seguir estas instrucciones puede provocar heridas graves o la muerte.



### PRECAUCIÓN

No repare o reemplace ninguna parte del aparato si no está específicamente recomendado en el manual. Todas las demás operaciones de mantenimiento tiene que realizarlas un técnico cualificado. Para reducir el riesgo de heridas personales o daños al horno. Nunca modifique o altere la construcción del aparato eliminando paneles, forros de hilos, tornillos o cualquier otra parte del producto.

## CONEXIONES ELÉCTRICAS

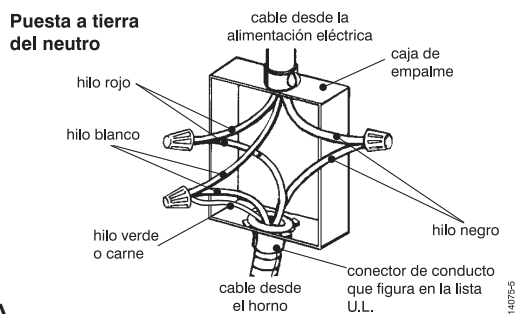
**Asegúrese de que un técnico cualificado instale y conecte a tierra correctamente su aparato. Consulte con su vendedor para que le recomiende un técnico cualificado o un servicio de mantenimiento autorizado.**

Este aparato está fabricado con un hilo verde de TIERRA conectado al bastidor del horno. Después de haberse asegurado de que la corriente está desconectada, conecte el conducto flexible desde el horno hasta la caja de empalme usando un conector de conducto que figure en la lista U.L. Las figuras A y B que aparecen debajo muestran las maneras más comunes para conectar los hornos. Las disposiciones y las normas locales de su zona, por su puesto, tienen precedencia con respecto a estas instrucciones. Complete las conexiones eléctricas en conformidad con las normas y disposiciones locales

**“ADVERTENCIA” Riesgo de electrocución, marco conectado a tierra al neutro del aparato por medio de un enlace.**

La puesta a tierra por medio de un conductor neutro está prohibida para las instalaciones de nuevos circuitos de conexión (1996 NEC); casas móviles, vehículos recreativos, o en áreas en donde las normas locales prohíben la conexión a tierra mediante un conductor de neutro. Para instalaciones en las que la puesta a tierra con un conductor de neutro está prohibido:

- Desconecte la toma tierra desde el neutro al final libre del conducto.
- Use un terminal o conductor para la puesta a tierra para poner a tierra la unidad; y



**Figura A**

## LISTA DE COMPROBACIONES FINAL

Para evitar que conexiones equivocadas lleguen a dañar los componentes eléctricos y anulen la garantía, es preciso realizar los siguientes pasos:

1. Controle los requisitos eléctricos y asegúrese de que tiene la alimentación eléctrica correcta y que el horno está correctamente conectado a tierra.
2. Encienda la corriente del horno.
3. Controle la corriente en los hilos de la caja de empalmes utilizando un voltímetro que tenga un campo de 0-250 VAC. Si ha instalado el horno para usarlo con una alimentación de 240 Voltios, tiene que buscar que el voltaje leído entre los hilos negro y rojo (de línea a línea) esté entre 220 y 240 Voltios. Si ha modificado el horno(s) para utilizarlo(s) con 208 Voltios, el voltaje leído entre los hilos negro y rojo tiene que estar entre 190 y 208 Voltios.
4. Configure el reloj siguiendo estos pasos:
  - Pulse la tecla [TIME] dos veces hasta que la pantalla muestre “SET TIME”.
  - Pulse inmediatamente las teclas [INC] o [DEC] para configurar la hora.
  - Pulse de nuevo la tecla [TIME] para cambiar los minutos.

- Conecte el terminal neutro o conector al circuito derivado de neutro de la manera acostumbrada.

## CIRCUITO DE CONEXIÓN DE 3 HILOS (sólo para US)

Tome como referencia la figura A, en la que las normas locales permiten conectar el hilo de TOMA DE TIERRA desde el horno hasta el hilo de NEUTRO del circuito de conexión (hilos de color gris o blanco):

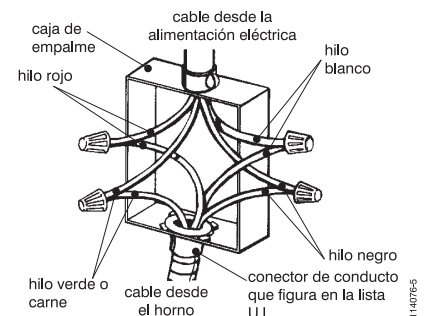
- Si las normas locales lo permiten, conecte el hilo verde de TIERRA desde el horno y el hilo blanco desde el horno hasta el hilo de NEUTRO del circuito de conexión (hilos de color gris o blanco).
- Conecte los conductores rojo y negro desde el horno hasta los conductores correspondientes en la caja d empalme.

## CIRCUITO DE CONEXIÓN DE 4-HILOS (para US o CANADA)

Tome como referencia la figura B:

- Desconecte la tierra desde el neutro al final libre del conducto.
- Conecte el hilo verde de TIERRA desde el horno al hilo de TIERRA en la caja de empalmes (hilo de color carne o verde).
- Conecte los conectores rojo y negro desde el horno hasta los conectores correspondientes en la caja de empalme.
- Conecte el hilo blanco desde el horno al hilo de NEUTRO (gris o blanco) en la caja de empalme.

## No puesta a tierra del neutro



**Figura B**

- Pulse inmediatamente las teclas [INC] o [DEC] para configurar los minutos y manténgala pulsada para cambiar en intervalos de diez (10) minutos.
  - Pulse la tecla [TIME] o espere unos segundos. El reloj está ahora ajustado.
5. Compruebe el modo de cocción siguiendo los siguientes pasos:
    - Mueva la perilla del modo de cocción en la posición de “BAKE”
    - Ventilador de enfriamiento, lámparas del horno, led de precalentamiento se encenderán.
    - Sonará un pitido cuando el horno alcance la temperatura preestablecida de 350°F (175°C) y la luz de precalentamiento se apagará.
    - Gire la perilla hacia la posición de “OFF” para parar la cocción.
  6. Para controlar las demás funciones del horno tome como referencia la sección “Uso de los controles del horno” To del MANUAL DE USO Y MANTENIMIENTO.
  7. Si el horno trabaja de manera apropiada, apague la corriente del horno.
  8. Coloque la tapa sobre la caja de empalme y asegúrese que la tapa está bien sujeta y encienda la corriente del horno.
- Deje estas instrucciones de INSTALACIÓN, así como el MANUAL DE USO Y MANTENIMIENTO a su propietario.**

**Notes**

**Notes**



***EuroChef USA, Inc.***

41 Mercedes Way - Suite 25

Edgewood, NY 11717

Phone (866) 844-6566

09VR6650 ed 10-13



## Free Manuals Download Website

<http://myh66.com>

<http://usermanuals.us>

<http://www.somanuals.com>

<http://www.4manuals.cc>

<http://www.manual-lib.com>

<http://www.404manual.com>

<http://www.luxmanual.com>

<http://aubethermostatmanual.com>

Golf course search by state

<http://golfingnear.com>

Email search by domain

<http://emailbydomain.com>

Auto manuals search

<http://auto.somanuals.com>

TV manuals search

<http://tv.somanuals.com>