

IMPORTANT!

READ AND SAVE THESE INSTRUCTIONS

Vicks® Natural Mist Humidifier

(Model V3500)

Use and Care Manual



If you have any questions about the operation of your Vicks Natural Mist Humidifier, call our toll-free Consumer Service line at 800 477-0457

kaz

Manufacturing Quality Healthcare Products for Over 75 Years

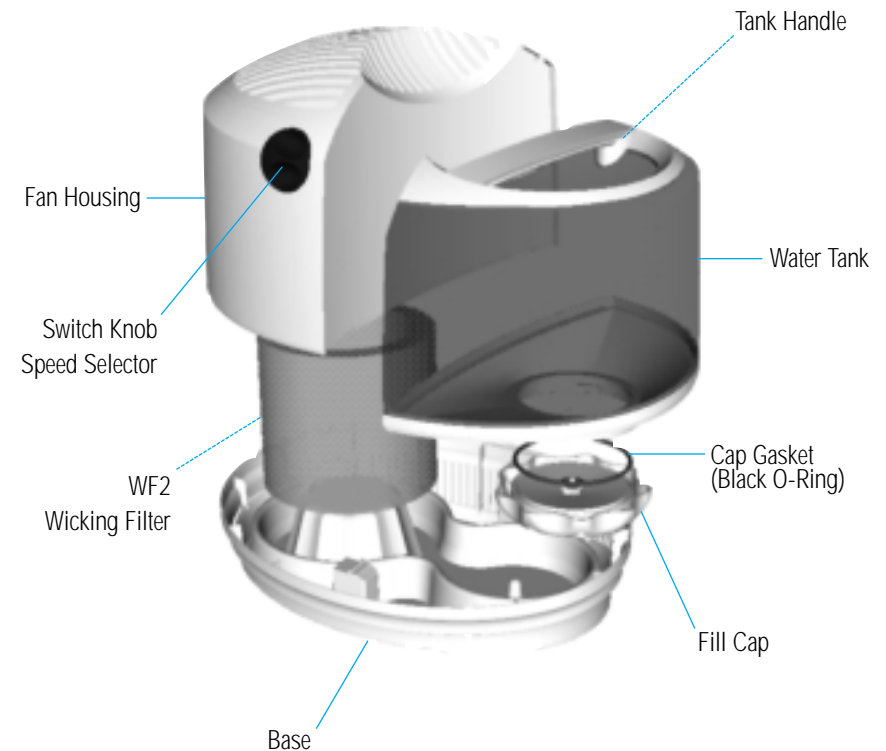
Important Safety Instructions

READ ALL INSTRUCTIONS BEFORE USING HUMIDIFIER, ESPECIALLY THESE BASIC SAFETY PRECAUTIONS:

- 1.** Always place Humidifier on a firm, flat, level surface, at least **FIVE** inches away from walls and heat sources such as stoves, radiators or heaters. Humidifier may not work properly on a non-level surface.
- 2.** When moving, or lifting the Humidifier make sure you have a secure grip under the Base of unit. When removing the Tank, use one hand on the Tank Handle and the other on the bottom of the Tank on the Fill Cap. This will help prevent leakage of water or breakage of the unit itself.
- 3.** Place Humidifier in an area that is out of the reach of children.
- 4.** Before using the Humidifier, extend the cord and inspect for any signs of damage. Do not use the product if cord has been damaged.
- 5.** This product has a polarized plug (one blade is wider than the other) as a safety feature. This plug will fit into a polarized outlet only one way. If the plug does not fit fully into the outlet, reverse the plug. If it still does not fit, contact a qualified electrician. Do not attempt to defeat this safety feature.
- 6.** Humidifier should always be unplugged and emptied when not in operation or while being cleaned.
- 7.** Never tilt or move the Humidifier while it is in operation. Shut off and unplug before moving.
- 8.** Humidifier requires regular cleaning. Refer to and follow cleaning instructions.

SAVE THESE INSTRUCTIONS

Vicks® Natural Mist Humidifier



Using Your Vicks® Natural Mist Humidifier

Your Vicks Humidifier comes fully assembled and ready to use.

First Time Use

Read all instructions before using this appliance.

Filling the Humidifier

1. Unpack Humidifier. Remove Fan Housing and check that the Wicking Filter is in place in Base. Replace Fan Housing, being careful to seat it properly onto the Base.
2. Place Humidifier at least **FIVE** inches away from walls and heat sources, on a **FIRM, FLAT, LEVEL** surface. Place on a water-resistant, non-conducting surface for protection from inadvertent spillage. Do not place any object over the Humidifier; it could block air openings.
3. Completely unravel power cord. Inspect power cord for signs of damage before use. If cord is damaged, DO NOT use product, please call 1-800-477-0457.
4. Keep cord away from heated surfaces and out of the way, where it cannot be stepped on or tripped over.
5. Remove Tank using Tank Handle. Turn Tank over and carefully remove Fill Cap by turning Fill Cap counter clockwise. Fill the Tank with cool tap water. **WARNING: Never use hot water - may cause damage to Wicking Filter.**
6. Make sure the circular rubber Cap Gasket (O-Ring) is in place before replacing Fill Cap on Tank (this prevents water leakage). To tighten, turn Fill Cap clockwise.
7. When carrying Tank always use two hands (one on Handle, one on the Fill Cap). Insert Tank back into Base.

Operating Instructions

1. Fill the Water Tank and replace Tank on Base.
2. Make sure that switch is in OFF (O) position, place the unit on a flat, stable surface and plug cord into a 120 VAC wall outlet.

CAUTION: DO NOT PLUG IN THE CORD WITH WET HANDS; ELECTRIC SHOCK COULD RESULT.

3. Turn switch to either High or Low. Fan will start turning.

Care and Cleaning

CAUTION: ALWAYS TURN OFF THE POWER SWITCH AND DISCONNECT THE POWER CORD FROM THE ELECTRICAL OUTLET BEFORE CLEANING.

Humidifiers provide comfort by adding moisture to dry indoor air. For maximized benefit from your Vicks Natural Mist Humidifier, follow instructions carefully. Please note that this is an electric appliance and requires careful attention when in use.

Tap water may contain pollutants and minerals (scale) that can deposit on the inner surfaces of the Humidifier and clog the Wicking Filter. Such scale can accelerate the growth of microorganisms and can impair the performance of the Filter.

Daily Maintenance

1. Turn switch to off (O) position and unplug the cord from wall outlet.
2. Remove Tank & Fan Housing and empty Base. Rinse Base and Tank, wipe clean, and dry with a clean cloth or paper towel. Be careful that you do not damage the delicate Wicking Filter. **DO NOT** immerse the Fan Housing or clean with water.
3. Replace Fan Housing then the Tank. Humidifier is now ready for use.

Weekly Maintenance—Removing Scale

1. Empty any remaining water from the Base and Tank. Reassemble Humidifier.
2. Turn switch on and operate the Humidifier without water until the Wicking Filter is thoroughly dry.
3. Turn switch to the OFF (O) position and unplug the cord from wall outlet.
4. Remove Tank & Fan Housing and place on a flat surface. Remove the Wicking Filter from the Base by carefully lifting straight up, without bending or breaking or tearing the Filter.
5. Fill Base with undiluted white vinegar. Let solution stand for 20 minutes.
6. Dampen soft, clean cloth or sponge with undiluted white vinegar and wipe out Base to remove scale. **DO NOT** use soap, detergents or abrasive cleaners.
7. Rinse thoroughly in clean warm water to remove scale and vinegar before disinfecting the Base.

Disinfecting Base

1. Fill Base with 1 teaspoon of household bleach in 1 gallon of water. Let solution remain for 20 minutes, stirring every few minutes to ensure that all surfaces are coated.
2. Empty Base after 20 minutes. Rinse with water until bleach smell is gone. Dry with clean cloth or paper towel.
3. Wipe all exterior surfaces of the Fan Housing with a soft, dry cloth.
DO NOT USE WATER TO CLEAN THE FAN HOUSING. AN ELECTRIC SHOCK MAY RESULT OR THE HUMIDIFIER MAY BE DAMAGED. DO NOT IMMERSE OR SPRAY ANY PART OF THE HUMIDIFIER WITH WATER.

4. Replace the Wicking Filter into the Base, being careful not to damage the Filter.

NOTE: Do not wash the Wicking Filter, since this will damage the Wicking Filter.

Wicking Filter Maintenance

Wicking Filter performance will diminish depending on the mineral content of the water and the amount of airborne dust in the environment.

IMPORTANT: CHECK WICKING FILTER REGULARLY. Any of the following conditions indicate that it is time to replace the Wicking Filter.

- A buildup of impurities and minerals on the Wicking Filter (evidenced by discoloration of the Wicking Filter)
- An appreciable decrease in Humidifier output
- The top of the Wicking Filter is not moist to the touch
- The Wicking Filter has large holes or tears

The Wicking Filter should be replaced at least one or two times during the season, depending on usage, mineral content of the water and the environment. We encourage you to only use a Kaz Model WF2 Replacement Wicking Filter. The use of other Wicking Filters may lead to substandard performance.

Replacement Filters

WF2 Wicking Filters are generally available where you purchased your Humidifier. If you are unable to locate replacement filters at your local retailer, they may be ordered directly from Kaz.

WF2 Wicking Filters cost \$10 for 2 Filters or \$7 for 1 Filter plus \$4 for handling and postage.

NOTE: Prices are subject to change without notice.

To Order:

By Phone

Call toll-free by dialing 1-800-477-0457. Please have your credit card handy for payment. We accept Visa and Master Card. Minimum credit card order is \$10.00.

By Fax

Fax your order to Kaz Consumer Service Orders at 1-518-828-2015. Please clearly print your name, mailing address and products ordered. Be sure to specify Visa or Master Card, card number and expiration date, and sign your order. Minimum credit card order is \$10.00.

By Mail

Mail your order to Kaz Consumer Service Orders, One Vapor Trail, Hudson, NY 12534. Please clearly print your name, mailing address, and products ordered. Enclose check or money order (no cash, please).

Via The Internet

E-mail us at consumerservice@kaz.com. Be sure to include your name, mailing address and products ordered. Please specify Visa or Master Card, card number and expiration date. Minimum credit card order is \$10.00.

End of Season Maintenance or When Humidifier Will Not Be In Use For At Least One Week

1. Clean and dry the Humidifier thoroughly as per the Weekly Maintenance instructions above.
2. Let Humidifier dry completely before storing. Do not store with water inside the Base.
3. Remove Fill Cap. Do not store Humidifier with Fill Cap on.
4. At end of season, remove and throw away the Wicking Filter. Never leave a used Wicking Filter in the Humidifier during storage.
5. Store in a cool dry location.
6. Order your new Kaz Replacement Wicking Filter now, so that it will be available for use next season.

Trouble-Shooting

If the unit does not operate:

- Check that polarized plug is fully inserted into wall outlet.
- Check airflow. Are there any obstructions preventing airflow?
- The motor contains a temperature-limiting fuse. If the motor overheats, the fuse will trip and shut off the motor. Unplug the unit and contact our Consumer Service Department. Do not attempt to repair the motor yourself.

If you do not obtain enough humidity:

- The moisture output from an evaporative Humidifier is invisible. It is operating properly if water level goes down during usage, even when you cannot see the vapor.
- Check the Wicking Filter. Replace the Filter if it is clogged, torn or discolored.
- Check the water level. Refilling may be required.

If you are obtaining too much humidity:

- If room air is excessively humid (greater than 50% relative humidity), do not use the Humidifier. Excessive humidity is indicated by condensation on cold surfaces or walls in the room. For proper humidity readings, use a hygrometer available in most hardware and department stores.

If water leakage occurs:

- Make sure unit is unplugged from wall outlet.
- Remove Tank from Base and check Fill Cap. Make sure the Cap Gasket (O-Ring) is properly positioned in the cap and the spring valve operates freely. If leakage still occurs contact our Consumer Service Department.

If Fill Cap is too tight:

- Lightly lubricate the Cap Gasket (O-Ring) with petroleum jelly.

Limited Warranty

This Vicks Natural Mist Humidifier (Model V3500) is warranted against defective material or workmanship for a period of one year from purchase date. Any defective part will be repaired or replaced at no charge if it has not been tampered with and appliance has been used according to these printed directions. Warranty does not cover the Wicking Filter after it has been used; performance of the Wicking Filter depends on the mineral content of the water. This warranty gives you specific legal rights as well as other rights which vary from state to state. Manufacturer shall not be liable for any special or consequential damages for breach of any written or implied warranty. Some states do not allow the exclusion or limitation of incidental or consequential damages, so the above limitation may not apply to you.

If you experience unsatisfactory operation, first check Trouble-Shooting section to determine if the problem is due to care or cleaning. Follow Care and Cleaning instructions.

If Humidifier needs repair or if you have any questions or comments, call the Kaz Consumer Service Department at (800) 477-0457 or write to Kaz, Consumer Service Department, 1 Vapor Trail, Hudson, NY 12534 USA, explaining just how the product is operating. Specify model number. Our Consumer Service Representative will advise you how to correct the problem yourself, or will ask you to return the product for repair or replacement.

kaz *Manufacturing Quality Healthcare Products for Over 75 Years*

Kaz, Incorporated
One Vapor Trail
Hudson, NY • 12534 • USA
www.kaz.com

©1999, Kaz, Incorporated
Made and printed in USA

The Vicks® Natural Mist Humidifier is distributed by Kaz, Inc. under license from The Procter & Gamble Company, Cincinnati, OH 45202. Vicks is a registered trademark of The Procter & Gamble Company.

Free Manuals Download Website

<http://myh66.com>

<http://usermanuals.us>

<http://www.somanuals.com>

<http://www.4manuals.cc>

<http://www.manual-lib.com>

<http://www.404manual.com>

<http://www.luxmanual.com>

<http://aubethermostatmanual.com>

Golf course search by state

<http://golfingnear.com>

Email search by domain

<http://emailbydomain.com>

Auto manuals search

<http://auto.somanuals.com>

TV manuals search

<http://tv.somanuals.com>