

ViewSonic™

VMP50

Digital Media Player

- User Guide

- Guide de l'utilisateur

- Guía del usuario

- Bedienungsanleitung

- Руководство пользователя

- 使用手冊



Model No.: VS12765

Compliance Information

CE Conformity for European Countries

CE The device complies with the EMC Directive 2004/108/EC and Low Voltage Directive 2006/95/EC.

Following information is only for EU-member states:

The mark is in compliance with the Waste Electrical and Electronic Equipment Directive 2002/96/EC (WEEE).

The mark indicates the requirement NOT to dispose the equipment including any spent or discarded batteries or accumulators as unsorted municipal waste, but use the return and collection systems available.



If the batteries, accumulators and button cells included with this equipment, display the chemical symbol Hg, Cd, or Pb, then it means that the battery has a heavy metal content of more than 0.0005% Mercury or more than, 0.002% Cadmium, or more than 0.004% Lead.



Important Safety Instructions

1. Do not use the equipment near water.
2. Wipe the machine with a soft and dry cloth.
3. Do not block any vent holes. Please install the product in accordance with the manufacturer's instructions.
4. Do not use the product on your legs for a long time because it gets hot and you may be burned.
5. Please avoid installing the product in a place where the temperature is above 40°C or lower than 0°C, or in a place that is moist or wet.
6. Protect the power cord plug, outlet, and connections to other equipment from damage by trapping and squeezing.
7. Please only use devices and accessories specified by the manufacturer.
8. The unit is hot pluggable. However it is recommended that the power be turned off before the memory card is inserted or removed.
9. Do not remove the memory card during data access. The data may be lost and the product could be damaged.
10. Disconnect the power cord if the product will not be used for an extended period.
11. Do not repair, disassemble, or modify the product. Only qualified ViewSonic personnel can check and repair any damage to the machine.
12. The unauthorized playing of certain audio or image files may infringe the related copyright laws under certain circumstances.
13. Do not adjust the volume to a high level, or the sounds may distort and become unpleasant.
14. When you view pictures for an extended period of time your eyes may become strained.
15. Careful attention should always be paid when moving the digital media player.
16. Make sure the place where the digital media player is placed is clean and dry.
17. If there is smoke, a strange smell or an abnormal noise, immediately turn off the digital media player and contact your dealer or ViewSonic.

Declaration of RoHS Compliance

This product has been designed and manufactured in compliance with Directive 2002/95/EC of the European Parliament and the Council on restriction of the use of certain hazardous substances in electrical and electronic equipment (RoHS Directive) and is deemed to comply with the maximum concentration values issued by the European Technical Adaptation Committee (TAC) as shown below:

Substance	Proposed Maximum Concentration	Actual Concentration
Lead (Pb)	0.1%	< 0.1%
Mercury (Hg)	0.1%	< 0.1%
Cadmium (Cd)	0.01%	< 0.01%
Hexavalent Chromium (Cr ⁶⁺)	0.1%	< 0.1%
Polybrominated biphenyls (PBB)	0.1%	< 0.1%
Polybrominated diphenyl ethers (PBDE)	0.1%	< 0.1%

Certain components of products as stated above are exempted under the Annex of the RoHS Directives as noted below:

Examples of exempted components are:

1. Mercury in compact fluorescent lamps not exceeding 5 mg per lamp and in other lamps not specifically mentioned in the Annex of RoHS Directive.
2. Lead in glass of cathode ray tubes, electronic components, fluorescent tubes, and electronic ceramic parts (e.g. piezoelectronic devices).
3. Lead in high temperature type solders (i.e. lead-based alloys containing 85% by weight or more lead).
4. Lead as an alloying element in steel containing up to 0.35% lead by weight, aluminium containing up to 0.4% lead by weight and as a copper alloy containing up to 4% lead by weight.

Copyright Information

Copyright © ViewSonic Corporation, 2009. All rights reserved.

ViewSonic, the three birds logo, OnView, ViewMatch, and ViewMeter are registered trademarks of ViewSonic Corporation.

Disclaimer: ViewSonic Corporation shall not be liable for technical or editorial errors or omissions contained herein; nor for incidental or consequential damages resulting from furnishing this material, or the performance or use of this product.

In the interest of continuing product improvement, ViewSonic Corporation reserves the right to change product specifications without notice. Information in this document may change without notice.

No part of this document may be copied, reproduced, or transmitted by any means, for any purpose without prior written permission from ViewSonic Corporation.

For Your Records

Product Name:	VMP50 ViewSonic Digital Media Player
Model Number:	VS12765
Document Number:	VMP50-P_UG_ENG Rev. 1A 07-06-09
Serial Number:	_____
Purchase Date:	_____

Product disposal at end of product life

ViewSonic is concerned about the preservation of our environment. Please dispose of this product properly at the end of its useful life. Your local waste disposal company may provide information about proper disposal.

End-user license Agreement

- 1) Do not dismantle the product for improper purposes.
- 2) Do not read and refresh the firmware of the product by improper means.
- 3) Do not conduct inverse engineering and disassembling for related software and codes of the product
- 4) The product and this license agreement can be transferred to a third party accepts the terms and conditions of the agreement. When you transfer the full or part of the product to a third party, the license for you to use the product terminates automatically.

How to use this user Manual:

Please read the user manual carefully before using the product. Our company is not liable for any direct or indirect losses arising from hardware damage, program damage, and file loss and system breakdown due to improper operations. So far, you are sure to have carefully read and understand this agreement and agree to strictly follow the terms and conditions of the agreement.

Caution

Do not expose the product to rain, moisture, dripping or splashing to reduce the danger of fire, electric shock or product damage.

Safety Instructions

- 1) Use only the dedicated power adaptor supplied with the product, and do not share the adapter with any other devices.
- 2) Do not place the power cord and plug of the adapter near heat sources.
- 3) Do not dismantle or modify the adapter and its power cord.
- 4) Do not open the product enclosure for your safety. Please ask service-trained professionals to conduct maintenance if necessary, or contact with our local warranty department to arrange maintenance properly.
- 5) To replace devices or accessories, please select the original one provided by the manufacturer.

Package contents

VMP50 Media Player_____	1pc
AV Cable_____	1pc
YPbPr Cable_____	1pc
HDMI Cable_____	1pc
Remote Control_____	1pc
Battery (AAA)_____	2 pcs
Adapter_____	1pc

Main Features

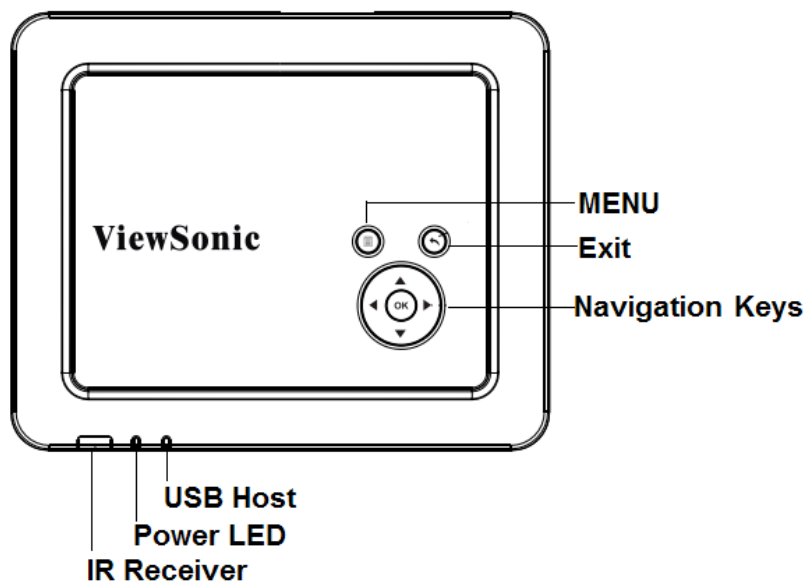
This unit is a great home entertainment partner with the outstanding design, you can enjoy movie and music, view photos and read E-book. It's available with the following functionality:

Output Resolution:	720P, 1080p
Media interface	Support HDD up to 1TB by USB
Video	Support H.264, MPEG1/2/4, DIVX, Xvi format full HD movie playback. Support RM/RMVB 720P HD movie playback Support RM8/RM9/RM10 Support TS, MKV, RM/RMVB, TP, AVI, VOB, DAT, MPG, MPEG, MOV, etc.
Audio	Support MP3, WMA Support BTSC/A2/EIA-J decode Support MPEG-1, MPEG-2(Layer I/II), AAC, HE-AAC, AC3
Picture	JPEG, BMP, PNG
E-book	Supports text format

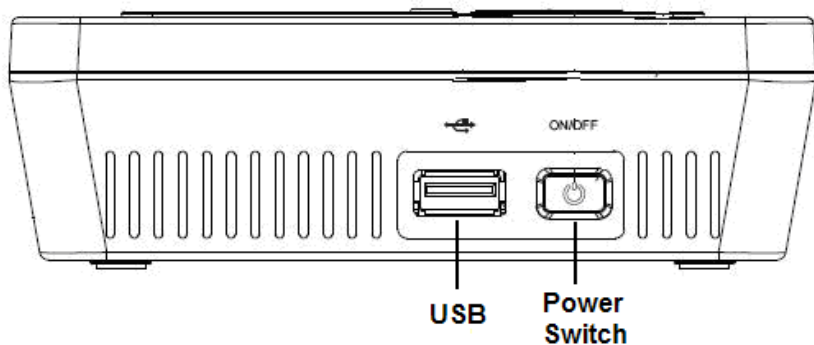
Other	Text/picture playback with background music.
Multi-language	English, Traditional Chinese, French, German, Italy, Holland, Spanish, Portugal, Greece, Russia, Poland
Subtitle	Support Multi-subtitle, Track switch
Power Adaptor	DC 5.5V@3A AC 100-240V,50/60Hz
Power consumption	<16.5W
Compliance	BSMI,CE,GOST,PSB, C-tick

The unit features and indicators

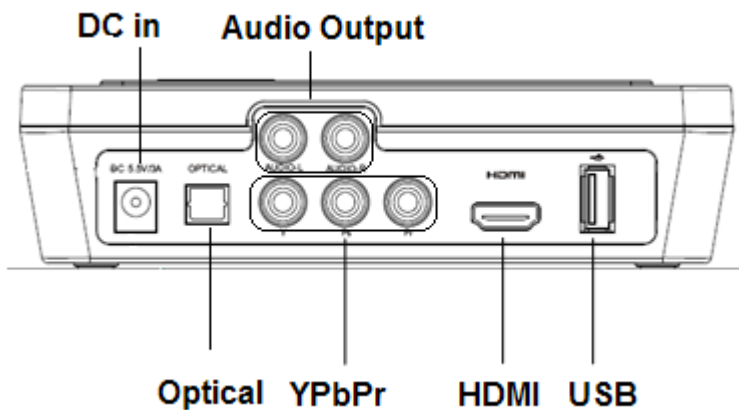
Top panel



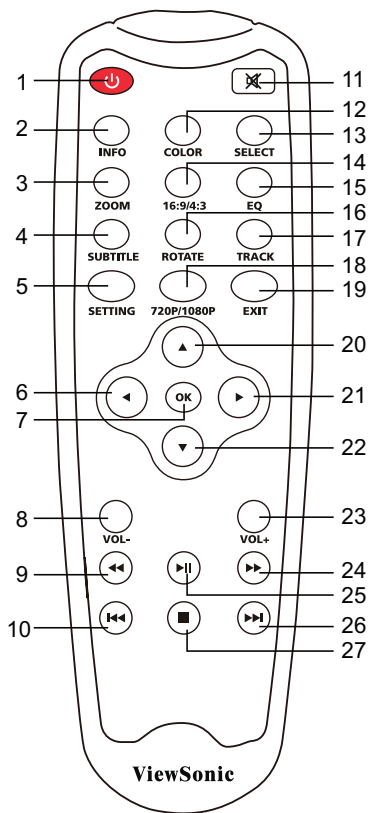
Left side



Rear panel



Remote Control



NO	NAME	FUNCTION
1	POWER	Press to Enter or Exit standby mode
2	INFO	Check info of playing video file or picture
3	ZOOM	Zoom in/Zoom out
4	SUBTITLE	Multi subtitles switch
5	SETTING	Shortcut to setup menu.
6	LEFT	Left Key

7	OK	1) photo playing mode: Press to review ./ Rates the photo when you view photos 2) Movie playing mode: press to switch the sound track when you play movies.
8	VOL-	Press to decrease the VOL
9	◀◀	Press to fast rewind the current playback.
10	◀◀	Previous Key
11	MUTE	Press to mute audio output, press again to resume
12	COLOR	Switch between Cool/Standard/Warm
13	SELECT	Press to select the file
14	16:9/4:3	Switch between 16:9/4:3
15	EQ	Multi audio mode option
16	ROTATE	Press to rotate the photos.
17	TRACK	Press to switch the voice tract
18	720p/1080p	Switch between 720p and 1080p mode
19	EXIT	Press to quit some dialogue box
20	UP	UP key
21	RIGHT	Right Key
22	DOWN	DOWN Key
23	VOL+	Press to increase the VOL
24	▶▶	Press to fast forward the current playback.
25	PLAY/PAUSE	Press to begin play or pause the current playback
26	▶▶	Next key
27	STOP	Press to finish your current playback

Getting Started

How to connect the unit with TV set

1. Connect HDMI cable or YPbPr cable, Audio cable to TV.
2. Connect the AC adapter cable plug into the unit system's jack, then plug AC adapter into wall outlet.
3. Insert USB device to the USB connector.
4. Power on the unit by Remote control

How to set up the TV set.

Setup TV to YPbPr Input mode or HDMI Input mode.

How to enhance the response speed of the system

1. A simple file folder system will greatly accelerate the response speed of the system; more complicated file folder will bring extra load to the system, and affect the processing speed of the system. A single file folder system is recommended.
2. Try to use English and Chinese character for the folder name. Characters are not more than 10.

When the system is busy in processing your previous operation, please do not press keys excessively frequently; otherwise, the processing speed of the system will be adversely affected.

Media Player Operation

Press R/C Power key to turn on the Media player, the power LED should change from red to green, the unit will start initialization, the screen displays "ViewSonic Bird Logo", then the main menu will show 5 icons: Photo, Music, Movie, Text and Setup.

Press the R/C direction keys to select "**Setting**" icon, below parameters will be shown, then begin to setup the unit.

Language: English, Traditional Chinese, French, German, Italy, Holland, Spanish, Portugal, Greece, Russia, Poland.

Repeat: Set the repeat mode for playing files, with options: All/None/Select.

Slideshow speed: Set the picture slideshow refresh speed, with options: Fast/Medium/Slow.

Movie screen: Set movie aspect ratio, with options: Full Screen/Normal Ratio.

Video output: Set the output signal formats, 720p/1080p is for option.

Restore Factory Default: Reset to the factory default setup.

Photo Playback Mode:

In main menu, press ◀/▶ key on R/C to select **Photo** icon, then press ▼/▲ key to choose folder. Press ▶ || key to enter the desired folder. All available photos are listed. Press ▼/▲ key and ▶ || key to choose desired file. Photo file profile appears on right bottom and auto view starts on right window.

On the photo content page, you can

Press ▲/▼ key select “**Up Folder**”, and press ▶ || key to return to the previous menu page.

Press ◀◀/▶▶ key to turn to previous or next page.

Press ▲/▼ key to move the cursor to select desired picture.

Press ▶ || key to play single picture in full screen, and Slid Show will start.

Press **Exit** key to return to main menu page.

Press **SELECT** key to select Repeat Play function:

- 1> When the cursor moves to the folder name, it will pop up “Select” or “Unselect”. Press ◀/▶ key to select, and press **OK** key to confirm.
- 2> if move the cursor to the file, press **SELECT** key to tick on the Player button will repeat play the ticked file until the tick is canceled.

In the full –screen picture display mode, you can

Press **EXIT** key or Stop and the unit will come back to the file content page.

Press ▶ || key to pause Slide Show, and display single picture. Press this button again to un-mute.

Press ◀◀/▶▶ key to play previous/next picture.

Press **INFO** key, the relevant information of the picture is shown on the screen.

Music Playback Mode:

In main menu, press ◀/▶ key on R/C to select **Music** icon, then press ▼/▲ key to choose folder. Press ▶ || key to enter the desired folder. All available music is listed. Press ▼/▲ key and ▶ || key to choose desired file. Music file profile appears on right bottom and auto view starts on right window. Press ▶ || key to enter playing page. ID3 info, process bar, time and frequency spectrum will appear in bottom right. Songs contents are displayed on the left.

On music file content page, you can:

Press ▲/▼ key to select “Up Folder”, and press ► || key to return to the previous menu page.

Press ▲/▼ key to move the cursor, press **SELECT** to select desired song

Press ◀◀/▶▶ key to turn to previous or next page.

Press ► || key to enter music playing page.

Press **Exit** key to return to main menu page.

Press **SELECT** key and ► || to select repeat play function

1> When the cursor moves to the folder name, it will pop up “Select” or “Unselect”. Press ◀/▶ key to select, and press **OK** key to confirm.

2> if move the cursor to the file, press **SELECT** key to tick on the Player button will repeat play the ticked file until the tick is canceled.

In music playing mode, you can

Press **EXIT** key or ■ to stop and back to the file content page.

Press **MUTE** key to mute sound, press again to un-mute.

Press ► || key to play or pause music

Press **VOL+/-** key to adjust volume.

Press ▲/▼ key to move the cursor, Press **OK** key to select desired song .

Press ◀◀/▶▶ key to turn to previous or next page.

Press ◀◀/▶▶ key for fast backward and fast forward 2X/4x//8x/16x are available.

Movie Playback Mode:

In main menu, press ◀/ ▶ key on R/C to select **Movie** icon, then press ▼/▲ key to choose folder. Press ► || key to enter the desired folder. All available movies are listed. Press ▼/▲ key and ► || key to choose desired file. Video file profile will appear in right of display and auto view starts in right window

On movie file content page, you can:

Press ▲/▼ key select”return to list”, and press ► || key to return to the previous menu page.

Press ▲/▼ key to move the cursor to select desired movie.

Press ◀◀/▶▶ key for previous or next page.

Press ► || key to enter movie playing page

Press **EXIT** key to return to main menu page.

Press **SELECT** key and ► || key to select repeat playing function

Press **SELECT** key to select Repeat Play function:

3> When the cursor moves to the folder name, it will pop up “Select” or

“Unselect”. Press ◀/▶ key to select, and press **OK** key to confirm.

- 4> if move the cursor to the file, press **SELECT** key to tick on the Player button will repeat play the ticked file until the tick is canceled.

In movie playing mode, you can:

Press **EXIT** key or ■ key to return to file content page.

Press **MUTE** key to mute sound, press again to un-mute

Press **VOL+/-** key to adjust volume.

Press ▶ || key to play or pause

Press **INFO** key to display video file profile.

Press ◀◀/▶▶ key for previous or next page.

Press ◀◀/▶▶ key for fast backward and fast forward 2X/4x/8x/16x are available.

Text Playback Mode

In main menu, press ◀/ ▶ key to select **Text** icon, then press ▼/▲ key to choose folder. Press ▶ || key to enter the desired folder. All available text files are listed. Press ▼/▲ key and ▶ || key to choose desired file.

In E-book playback mode, you can:

Press **EXIT** key to return to file content page.

- Press ◀◀/▶▶ key for previous or next page.
- Press ◀◀/▶▶ key for page up/down

Firmware Upgrade

1. Insert a USB device containing the firmware update to the rear USB host socket.
2. Copy the firmware into USB drive.
The firmware name must be “AP.bin” that must be under the root directory;
3. Press the ◀/ ▶ button to enter the **Setting** icon ,then press ▼/▲ to move the cursor to the “**Restore Factory Default**”, and then Press “**INFO**” key to start to upgrade .It will show the progress percentage on the screen.

Notes: The upgrade process will last 2-3 minutes, make sure the player’s power supply should not be shutdown in 5 minutes after you confirm to upgrade.

Due to continuous development and following firmware updates, the unit’s actual display and operations may be different with original instructions.

Appendix

Support media format

Function Module	Container		Resolution / Max specification
Movie	.avi		1080p/1080i/720p
	.vob		480i/576i
	.ts		1080p
	.tp		1080P
	.rmvb		720P
	.rm		
	.mov		1080p
	.mkv		1080P
	.dat		480i
.mpg		1080p	
Music	MP3		Sampling: 8k~48kHz
	WMA		Bit rate: 32k~320KHz
Photo	JPEG		6000x6000
	BMP		
	PNG		
Subtitle	.SRT/.SSA		Video and Subtitle need same file name.
Movie File Format	MPEG1	.DAT/.MPG	
	MPEG2	.MPG	Up to 40Mbps
	MPEG4	.Avi, Divx, Xvid	Up to 20Mbps
	H.264	.MKV/.MOV	Up to 20Mbps
	RM/RMVB	RealVideo8/9/10	Up to 10Mbps
Text	.txt		

Note:

1. Video does not support Divx3, Divx6, VC1, WMV, RV20 and MP42
2. Audio does not support Dolby HD, DTS, Sony ATRAC3

Customer Support

For technical support or product service, see the table below or contact your reseller.

Note: You will need the product serial number.

ViewSonic Corporation

World Headquarters

381 Brea Canyon Road
Walnut, CA 91789-0708
Tel: 909-444-8888
Fax: 909-468-1240

ViewSonic Latin America / Miami

8201 Peters Road, Suite 1000
Plantation, FL 33324

ViewSonic Canada

100 Mural Street, Suite 202
Richmond Hill, Ontario L4B 1J3
Canada
Tel: 905-709-9774
Fax: 905-709-0685

Europe

ViewSonic United Kingdom

ViewSonic Europe Ltd.
Riverside House, 7th Floor
2a Southwark Bridge Road
London
SE1 9HA
United Kingdom
Tel: +44-(0)207-921-2200
Fax: +44-(0)207-921-2201

ViewSonic Italy

Email: sales-it@viewsoniceurope.com

ViewSonic Belux

Teleport Towers
Kingsfordweg 151
1043 GR Amsterdam
Email: sales_be@viewsoniceurope.com
Tel: +31 (0)20 491 9254
FAX: +31 (0)20 491 9090

ViewSonic Poland

Email: Sales-pl@viewsoniceurope.com
Service and support:
Tel: + 48 61 879 89 93;
Email: info@arconet.pl

ViewSonic Norway

P.O. box :Postboks 62 Bryn 0611 Oslo Norway
Email: sales_no@viewsoniceurope.com

ViewSonic Russia

Radio 24
Business Centre "Jauza Tower"
105005 Moscow
Russia
Email: For Information
Email: For Customer Care & Quality
Tel: +7 495 258 5670
Fax: +7 495 258 0625

ViewSonic Ukraine

1,Dorohozhytska Str., office
1025-B, Kiev, 04119, Ukraine
Tel./fax: +380 44 537 48 47

ViewSonic Finland

Lars Sonckin Kaari 12 02600 Espoo, Finland
Email: sales-fi@viewsoniceurope.com
TEL +358-(0)20 7120 861
FAX: +358-(0)20 7120 869

ViewSonic Spain & Portugal

Tel: +34 916305339
Email: sales_es@viewsoniceurope.com

ViewSonic France

ViewSonic SARL
Le Parc Barbanniers
1 Allée Des Bas Tilliers
92230 Gennevilliers
France
Email: sales_fr@viewsoniceurope.com
Tel: +33(0)1 41474-900
Fax: +33(0)1 41474-910

ViewSonic Sweden

TEL +46(0)8 507 13000
FAX +46(0)8 626 20 30
SERVICE and SUPPORT:
Tel: +46 (0)8 579 290 45
Info-Mail: sales-se@viewsoniceurope.com
Bergkällavägen 32 P.O. Box 310
SE-19230 Sollentuna

ViewSonic Greece

43 Agias Lavras Str
P.Faliro
Athens 17563
Greece
Email: sales_nl@viewsoniceurope.com
Tel: +30210 9836281
Fax: +30210 9836281

ViewSonic Portugal

Tel: +351 91 333 7738

Info-Mail: sales-pt@viewsoniceurope.com

ViewSonic Germany

ViewSonic Central Europe

Koenigstr. 10C 70173 Stuttgart

Email: sales_de@viewsoniceurope.com

Tel: +49 (0) 711 222 54 482

Fax: +49 (0) 711 222 54 200

Middle East**ViewSonic Middle East**

LOB 13 Office 8

PO Box 17625

Jebel Ali

Dubai U.A.E.

Tel: 971 4 8811871

Fax: 971 4 8811969

Asia/Pacific**ViewSonic Taipei**

Head Office

9F, No. 192, Lien Chen Road

Chung Ho 235 Taipei

Taiwan

Tel: 011-886-2-2246-3456 (operator)

Fax: 011-886-2-8242-3666 (9th fl. / exec. office)

ViewSonic Singapore

221 Henderson Road

#04-08 Henderson Building

Singapore 159557

Tel: 011-65-6273-4018

Fax: 011-65-6273-1566

ViewSonic Korea Office

#2110, 21F, Renaissance Tower Bldg.

Gongdeok 2-dong

Mapo-gu, Seoul, 121-706

Korea

Tel: 82-2-798-2132

Fax: 82-2-798-2136

ViewSonic India Pvt Ltd.

M-28, Commercial Complex (M-Block Market)

3rd floor, Greater Kailash-II

N Delhi - 110 048

India

Tel: 91-11-4053-6556

Fax: 91-11-4053-6557

ViewSonic Thailand [Rep. Office]

246 Time Square Building,

12-02, Room no. 1550B,

Sukhumvit Rd.

Klong Tuery, Bangkok 10110

Thailand

Tel: +662 253 7189

China**ViewSonic China Head Office (Shanghai)**

Room 3608, 36F United Plaza

No. 1468 Nan Jing

Shanghai

20040

Tel: 86-21-6237-5252

Fax: 86-21-6237-5373

or 86-21-6237-5590 ViewSonic Guangzhou

Room 1305, Renfeng Tower, No. 490 Tianhe Rd,

Tianhe Dist., Guangzhou PRC

510630

Tel: 86-20-3878-1858

Fax: 86-20-3878-1766

ViewSonic Beijing

Room 902, 9F Union Plaza

No. 20, Chao Wai Ave

Chaoyang Dist.

Beijing PRC

100020

Tel: 86-10-6588-5301

Fax: 86-10-6588-4288

ViewSonic Hong Kong

Unit 3, 15/F, Greenfield Tower, Concordia Plaza, 1

Science Museum Road, TST East

Kowloon, Hong Kong

Tel: (852) 3690 1398

Fax: (852) 3690 1399

Australia**ViewSonic Australia Pty. Ltd.**

Unit 4, 44 Dickson Ave, Artarmon

NSW 2064, Australia

Tel: 61-2-9906-6277

Fax: 61-2-9906-6377

Limited Warranty

ViewSonic Digital Media Player

What the warranty covers:

ViewSonic warrants its products to be free from defects in material and workmanship, under normal use, during the warranty period. If a product proves to be defective in material or workmanship during the warranty period, ViewSonic will, at its sole option, repair or replace the product with a like product. Replacement product or parts may include remanufactured or refurbished parts or components.

How long the warranty is effective:

ViewSonic Digital Media Player are warranted for 1 year for labor from the date of the first customer purchase.

Who the warranty protects:

This warranty is valid only for the first consumer purchaser.

What the warranty does not cover:

1. Any product on which the serial number has been defaced, modified or removed.
2. Damage, deterioration or malfunction resulting from:
 - a. Accident, misuse, neglect, fire, water, lightning, or other acts of nature, unauthorized product modification, or failure to follow instructions supplied with the product.
 - b. Repair or attempted repair by anyone not authorized by ViewSonic.
 - c. Causes external to the product, such as electric power fluctuations or failure.
 - d. Use of supplies or parts not meeting ViewSonic's specifications.
 - e. Normal wear and tear.
 - f. Any other cause which does not relate to a product defect.
3. Any product exhibiting a condition commonly known as "image burn-in" which results when a static image is displayed on the product for an extended period of time.

How to get service:

1. For information about receiving service under warranty, contact ViewSonic Customer Support (please refer to Customer Support page). You will need to provide your product's serial number.
2. To obtain warranted service, you will be required to provide (a) the original dated sales slip, (b) your name, (c) your address, (d) a description of the problem, and (e) the serial number of the product.
3. Take or ship the product freight prepaid in the original container to an authorized ViewSonic service center or ViewSonic.
4. For additional information or the name of the nearest ViewSonic service center, contact ViewSonic.

Limitation of implied warranties:

There are no warranties, express or implied, which extend beyond the description contained herein including the implied warranty of merchantability and fitness for a particular purpose.

Exclusion of damages:

ViewSonic's liability is limited to the cost of repair or replacement of the product. ViewSonic shall not be liable for:

1. Damage to other property caused by any defects in the product, damages based upon inconvenience, loss of use of the product, loss of time, loss of profits, loss of business opportunity, loss of goodwill, interference with business relationships, or other commercial loss, even if advised of the possibility of such damages.
2. Any other damages, whether incidental, consequential or otherwise.
3. Any claim against the customer by any other party.



Free Manuals Download Website

<http://myh66.com>

<http://usermanuals.us>

<http://www.somanuals.com>

<http://www.4manuals.cc>

<http://www.manual-lib.com>

<http://www.404manual.com>

<http://www.luxmanual.com>

<http://aubethermostatmanual.com>

Golf course search by state

<http://golfingnear.com>

Email search by domain

<http://emailbydomain.com>

Auto manuals search

<http://auto.somanuals.com>

TV manuals search

<http://tv.somanuals.com>