

Viking Installation Guide



Viking Range Corporation

111 Front Street

Greenwood, Mississippi 38930 USA

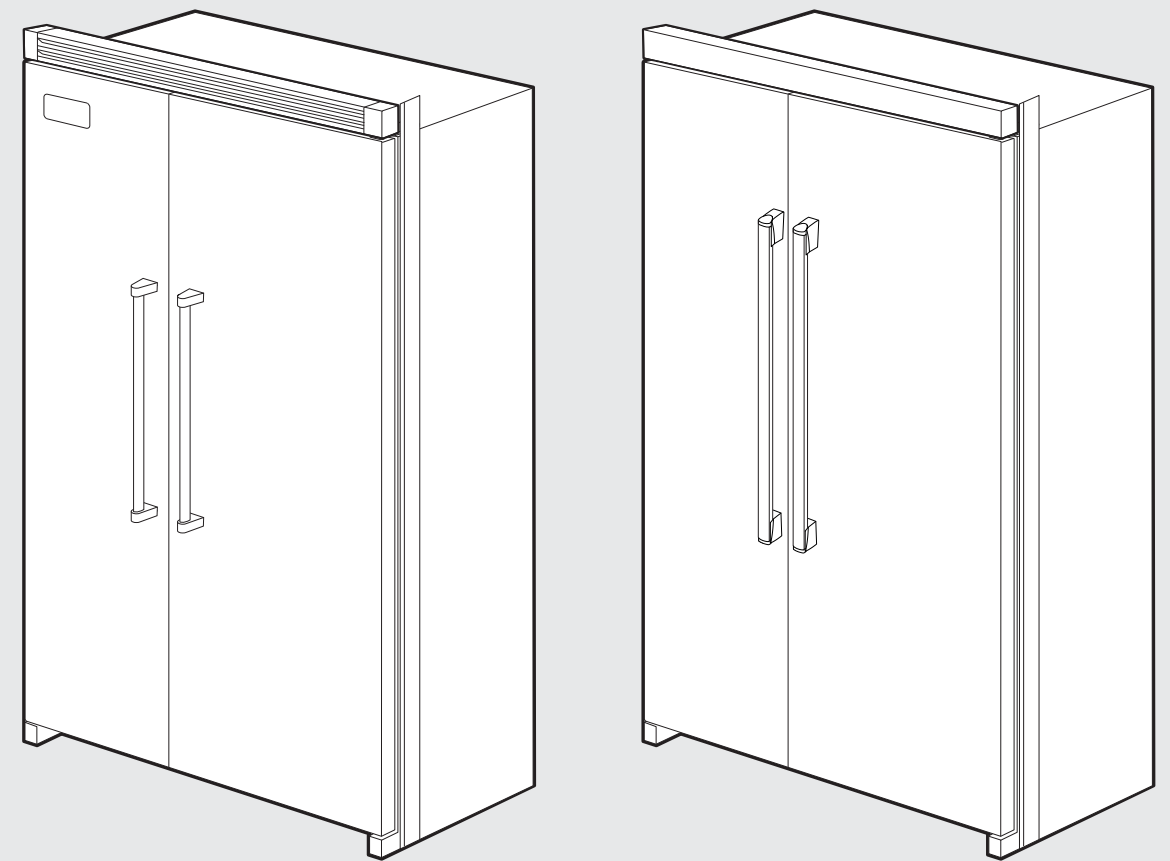
(662) 455-1200

For product information,

call 1-888-VIKING1 (845-4641)

or visit the Viking Web site at

vikingrange.com

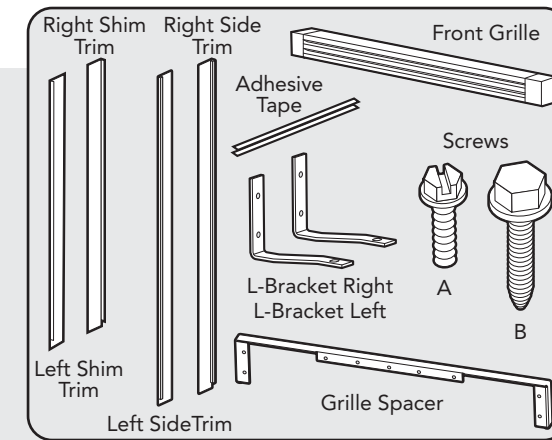


Professional & Designer Freestanding
Refrigeration Side Trim, Side Panel,
Top Panel & Grille Installation

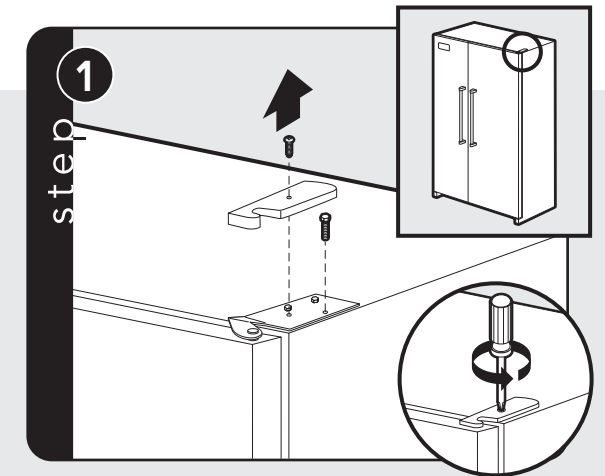
Specifications

Professional & Designer Freestanding Refrigerators	
Description	VCSF/DDSF136D with side panels/tops/grilles
Overall width with side panels	35-7/8" (91.1 cm)
Overall height with tops/grilles	71-7/8" (182.6 cm)
Cutout width with side panels	36" (91.4 cm)
Cutout height with tops/grilles	72" (182.9 cm)

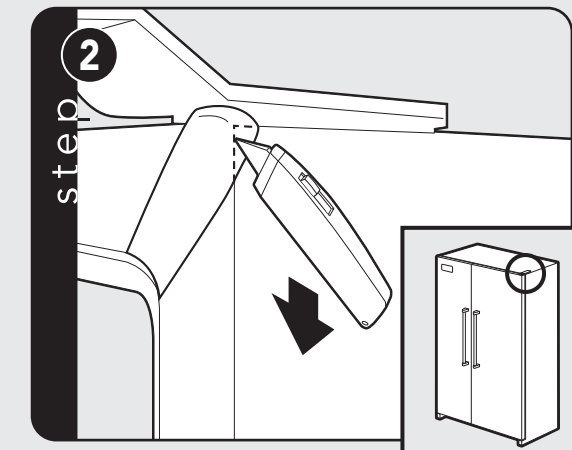
Installation - Side Trim and Grille (Built-In Installation) (cont.)



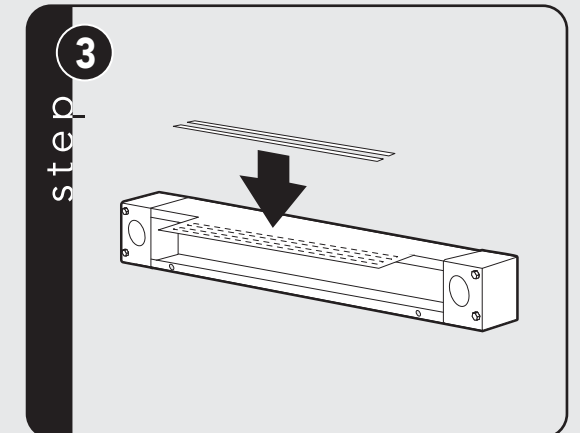
Required Components



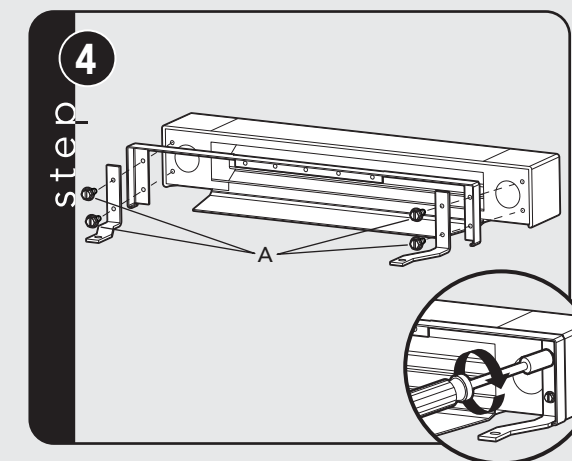
Remove and discard screw and hinge cover, if applicable.



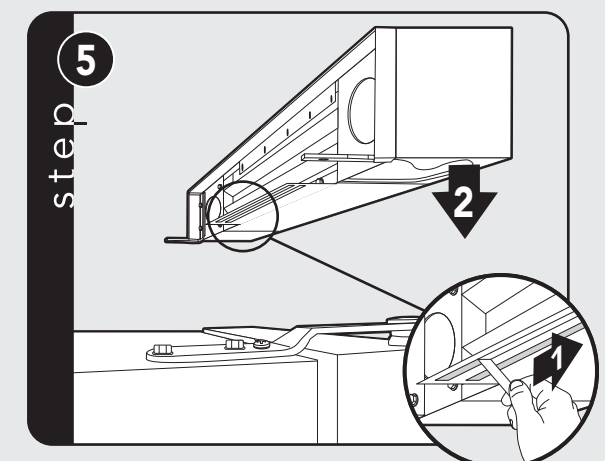
Remove edge of corner cover.



Apply adhesive tape to grille assembly.

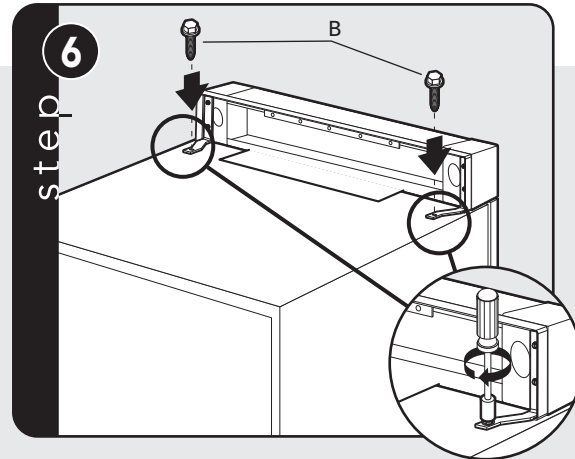


Attach brackets and spacers, included in the kit, to the grille assembly with four A screws.

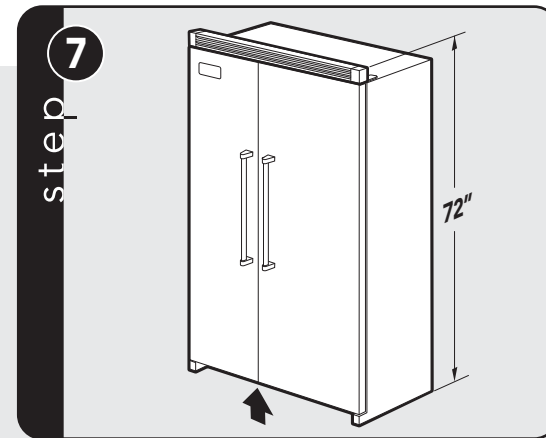


Remove adhesive backing. Firmly press the grille assembly down so the adhesive adheres to the cabinet. Align grille assembly to front door and position grille on top of unit.

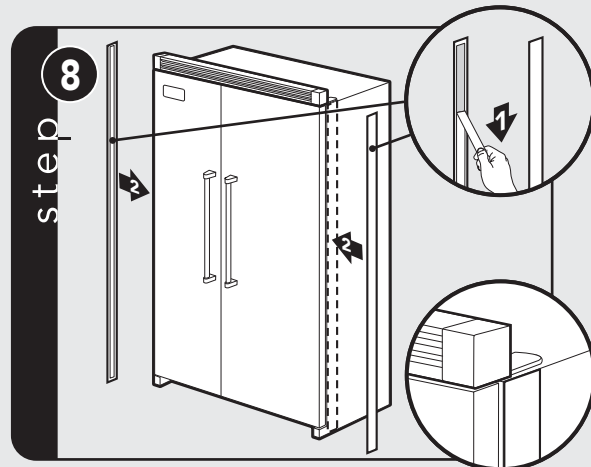
Installation - Side Trim and Grille (Built-In Installation) (cont.)



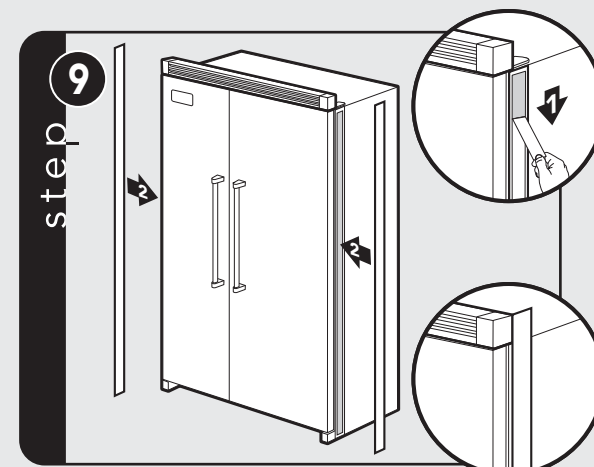
Secure the grille brackets to the holes in the hinge plate with two B screws.



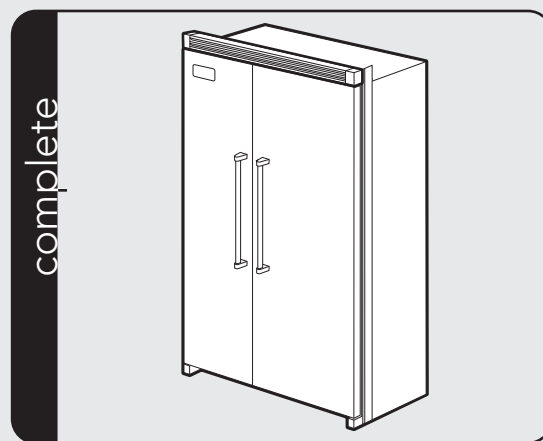
Raise the unit up until the measurement from the floor to the top of the grille assembly is 72 inches or 6 feet.



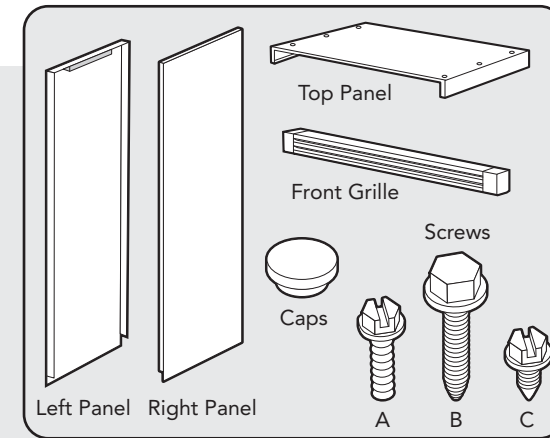
Shim trim has adhesive backing on both sides. Remove adhesive backing on refrigerator side only. Fit the shim trim to the front of the unit first. Locate the top of the shim trim with the top of the refrigerator cabinet.



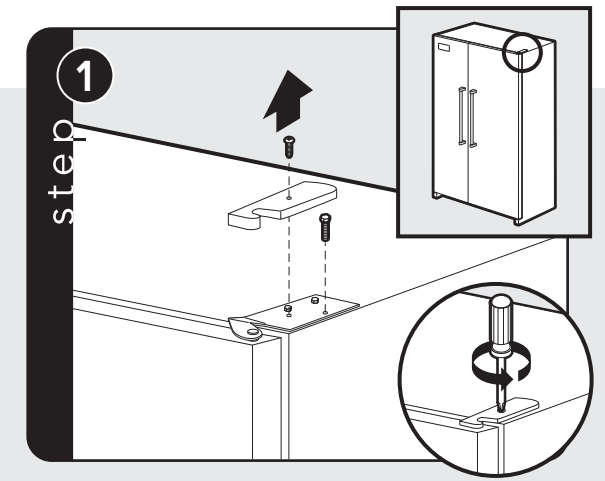
Remove adhesive backing for the side trim. Locate the top of the side trim with the top of the grille assembly. Press the side trim into the refrigerator cabinet at the center location.



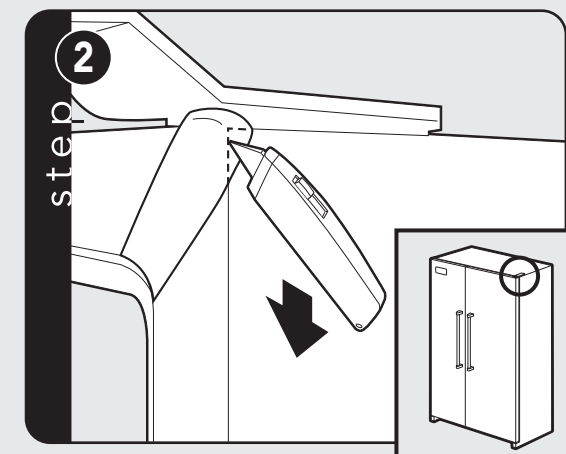
Installation - Side Panel, Top Panel and Grille (Wrapped Installation)



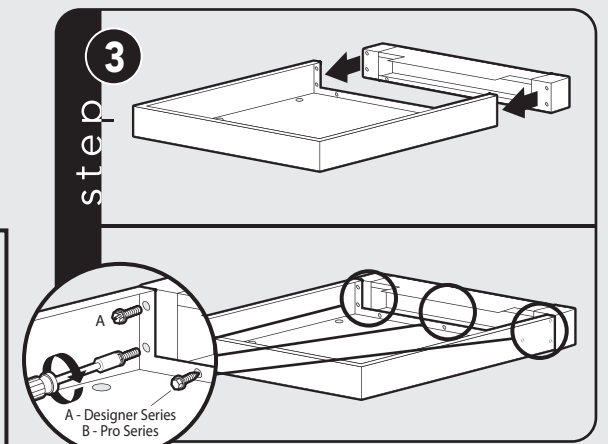
Required Components



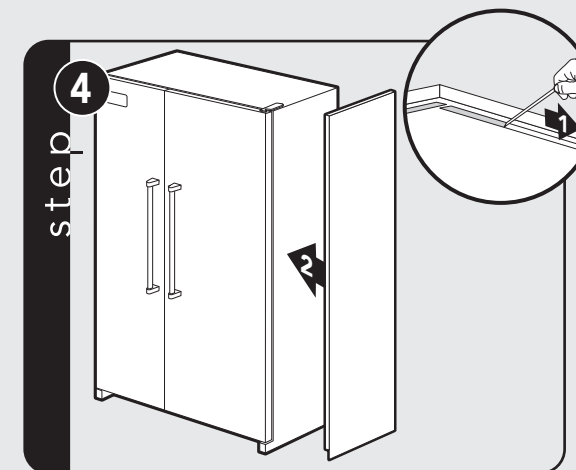
Remove and discard screw and hinge cover, if applicable. (Repeat if two hinges are used.)



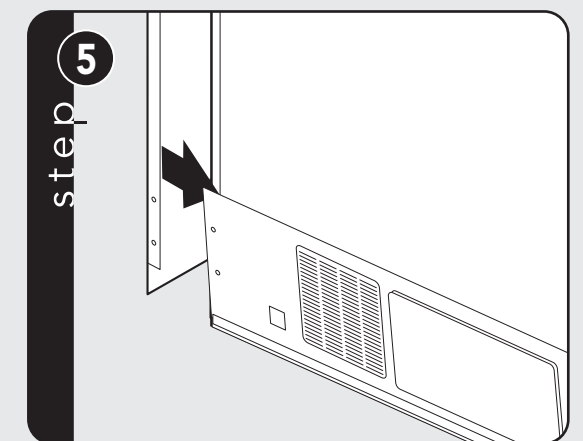
Remove edge of corner cover.



With top panel and grille upside down, position grille assembly in front of top panel. Secure top panel to grille assembly via four outer holes and three inner holes.

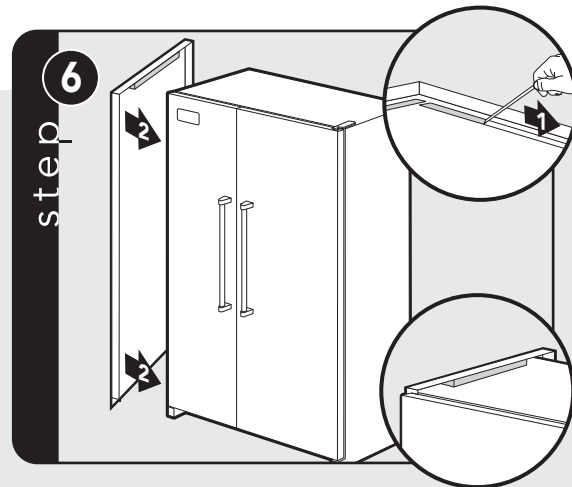


Remove adhesive backing from the side panel. Fit the side panel to the front of the unit first.

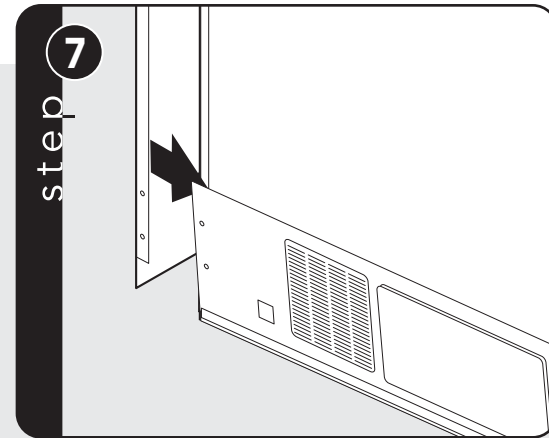


Attach rear of side panels with screws.
NOTE: The holes on the side panel are clearance holes.

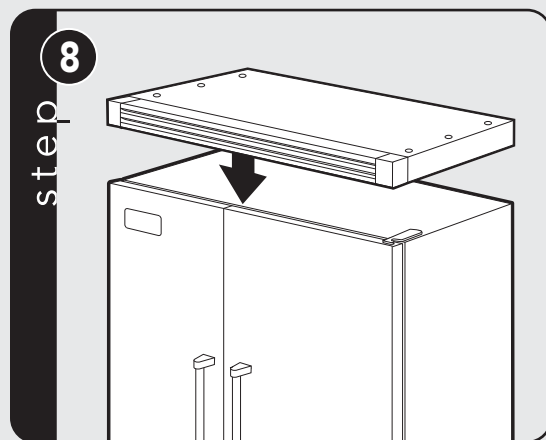
Installation - Side Panel, Top Panel and Grille (Wrapped Installation) (cont.)



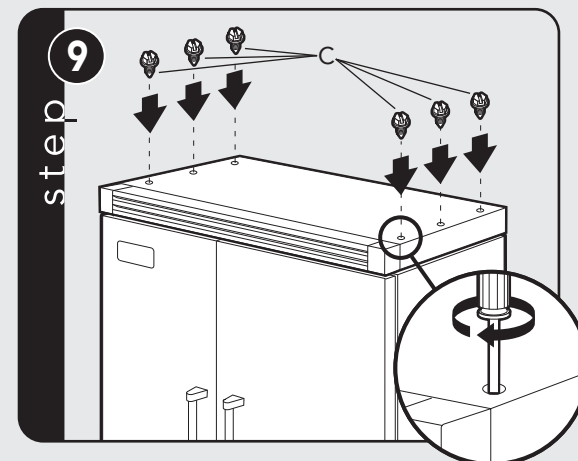
Remove adhesive backing from other side panel. Fit the side panel to the front of the unit first. Spacer on top of side panel needs to sit on top of refrigerator cabinet.



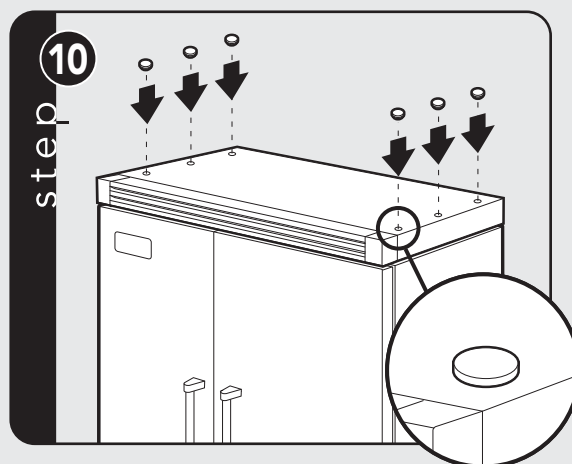
Attach rear of side panels with screws.
NOTE: The holes on the side panel are clearance holes.



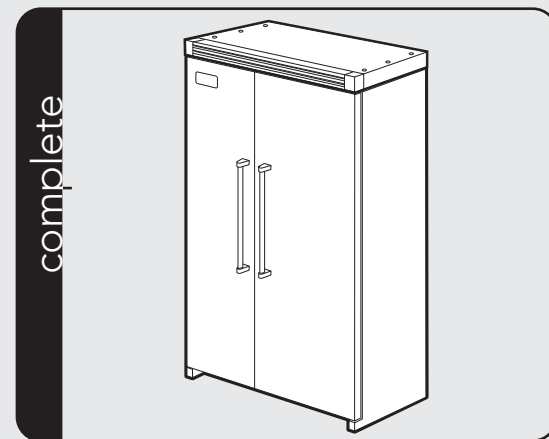
Align top panel and grille assembly to front door and position top panel and grille on top of unit.



Insert screws through holes of top panel into side panel.



Insert cap covers into holes.



Free Manuals Download Website

<http://myh66.com>

<http://usermanuals.us>

<http://www.somanuals.com>

<http://www.4manuals.cc>

<http://www.manual-lib.com>

<http://www.404manual.com>

<http://www.luxmanual.com>

<http://aubethermostatmanual.com>

Golf course search by state

<http://golfingnear.com>

Email search by domain

<http://emailbydomain.com>

Auto manuals search

<http://auto.somanuals.com>

TV manuals search

<http://tv.somanuals.com>