



### Standard Features & Accessories

**All models include:**

- Agency-certified for outdoor use
  - A stainless steel exterior cabinet surrounds the unit and forms a water-resistant seal
  - Insulated electrical terminals, sealed electrical contacts, and a water-resistant thermostat provide optimal performance in all weather elements
- Normal operating range between 110°F (43.4°C) and 40°F (4.4°C) (Viking recommends that units be shut off in temperatures outside these limits)
- Hidden touchpad electronic controls with digital temperature readout
  - Inside temperature can be adjusted from 40 – 65°F
  - TruProtect™ system signals if door is left open or if temperature is out of set range
- Sabbath mode disables audible tones, LED display and lights
- Temperature can be displayed in either Fahrenheit or Celsius
- Capacity—54 bottles
- Six wire shelves cradle bottles horizontally to keep corks moist
  - Shelves are coated to reduce vibration and hold bottles snugly in place
  - Roller rack shelves glide in and out for easy access to stored bottles
    - Locks on shelf glides prevents shelves from being removed in inadvertently
  - Shelves can be removed to store magnum or larger bottles
- Ultraviolet-resistant tempered glass and black interior protects wine from harmful light
- Maple wood facings provide additional ultraviolet protection
- Low-intensity lighting displays wine with minimal heat and light output
- Keyed door lock provides protection for stored wines
- Low-E argon-filled glass doors
- Install as undercounter or freestanding unit
- Must be ordered right or left hinge. (As you face unit, RIGHT has hinge on right side and handle on left side; LEFT has hinge on left side and handle on right side.)

### Model Options



**VUWC144T**  
24" W. Wine Cellar

**FINISH DETAILS FOR VUWC MODEL**

- Stainless Steel (SS)

**ORDERING INSTRUCTIONS**

First specify model number, followed by hinge preference ("R" for right or "L" for left), and then color code (VUWC144**TRSS**).



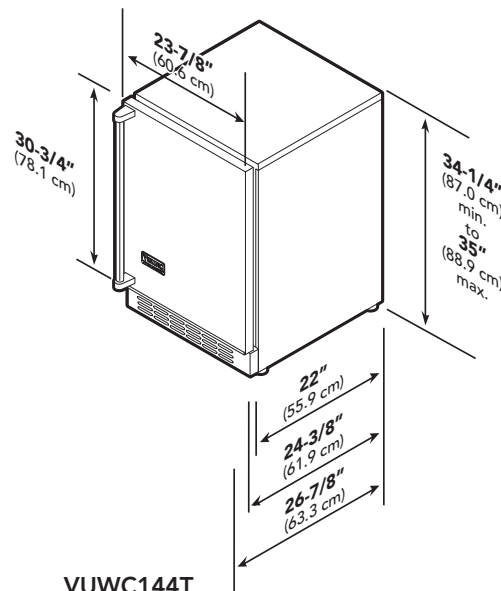
★ Please see **Installation Notes & Accessories** for important information, including handle kits.

### Dimensions & Specifications

#### PRODUCT DIMENSIONS



**VUWC144T**  
24" W. Wine Cellar



**VUWC144T**

<b>VUWC144T</b>	
Overall width	23-7/8" (60.6 cm)
Overall height (from bottom)	34-1/4" min. (87.0 cm) to 35" (88.9 cm) max.
Overall depth (from rear)	
To front of handle	26-7/8" (63.3 cm)
With door open	47-1/4" (120.0 cm)
Approx. ship. weight	140 lbs. (63.0 kg)

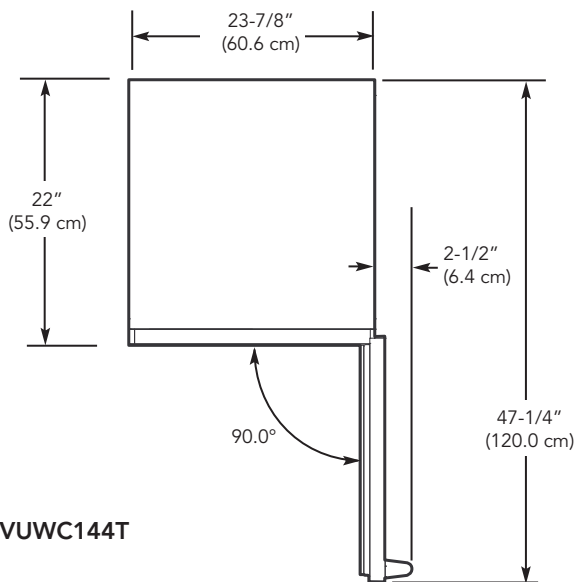


## Dimensions & Specifications

### DOOR SWING



**VUWC144T**  
**24" W. Wine Cellar**





**UTILITY REQUIREMENTS**



**GAS**  
Not applicable



**ELECTRICAL**

- Three-wire cord with grounded three-prong plug attached to product
- 115 VAC/60 Hz; 15 amp dedicated circuit
- Maximum amp usage—3.3



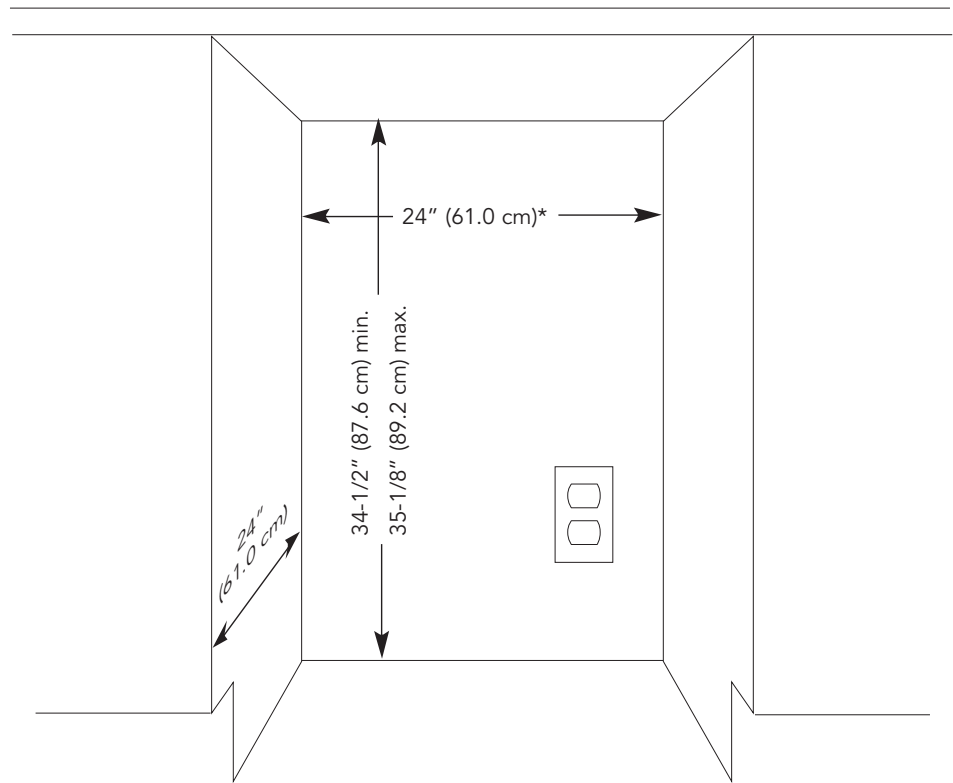
**PLUMBING**  
Not applicable

**Installation Requirements**

**ACCESS REQUIREMENTS**



**VUWC144T**  
**24" W. Wine Cellar**



\*24" (61.0 cm) width for cabinet only. If door is recessed between cabinets, cabinet cutout must be 24-1/4" (61.6 cm).

<b>VUWC144T</b>	
Cutout width	24" (61.0 cm)*
Cutout height	34-1/2" (87.6 cm) min. to 35-1/8" (89.2 cm) max.
Cutout depth	24" (61.0 cm)



# OUTDOOR—REFRIGERATION

## Undercounter/Freestanding 24"W. Wine Cellar



### ★ Installation Notes & Accessories

#### Stainless Steel Cabinetry-Bases

- Stainless Steel (SS)
- For use with 24"W. Viking outdoor refrigeration products
- See individual product pages (storage section) for more information and additional specifications

Model	Description	Approx. ship wt. lbs. (kg)
VURO3200	Base for 24"W. outdoor refrigerator	125 (56.7)

#### Stainless Steel Cabinetry-Oven Towers

- Stainless Steel (SS)
- For installation of 24"W. wine cellar with oven
- See individual product pages (storage section) for more information and additional specifications

Model	Description	Approx. ship wt. lbs. (kg)
VERO3200	32"W. tower (for 24"W. wine cellar + smoker oven)	271 (122.9)
VGRO3200	32"W. tower (for 24"W. wine cellar + gas oven)	271 (122.9)

#### Brass Handle Kits

- For use with 24"W. wine cellar

Model	Description	Approx. ship wt. lb. (kg)
PURHK30-BR	Professional brass handle kit and logo for VUWC	6 (2.7)

#### Compliance Information



#### WARRANTY SUMMARY\*

- Two-year full warranty—complete unit
- Six-year full warranty—sealed refrigeration system (includes compressor, condenser, dryer/strainer, evaporator, and connecting tubing)
- Twelve-year limited warranty—sealed refrigeration system
- Ninety-day limited warranty—cosmetic parts such as glass, painted, and decorative items

\*For complete warranty see *Use & Care Guide*. Warranty valid on Viking products shipped within the United States and Canada.



## Free Manuals Download Website

<http://myh66.com>

<http://usermanuals.us>

<http://www.somanuals.com>

<http://www.4manuals.cc>

<http://www.manual-lib.com>

<http://www.404manual.com>

<http://www.luxmanual.com>

<http://aubethermostatmanual.com>

Golf course search by state

<http://golfingnear.com>

Email search by domain

<http://emailbydomain.com>

Auto manuals search

<http://auto.somanuals.com>

TV manuals search

<http://tv.somanuals.com>