



# Professional Freestanding Gas Self-Clean 30"/36"W. Sealed Burner Range



## Standard Features & Accessories

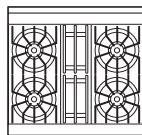
### All models include

- Large self-cleaning convection oven (see indiv. models for dimensions)
  - Three heavy-duty racks/six rack positions
  - Four halogen lights
  - **Exclusive** combination of U-shaped bake burner(s) and infrared broil burner, with electric spark ignition and "flame sensor" shut-off
- **Exclusive** VSH™ Pro Sealed Burner System (VariSimmer™ to High)—combination of patented burner and top design provide cleanability plus superior performance at simmer and high
- **Exclusive** VariSimmer™ setting for all burners
- **Exclusive** one-piece tooled and porcelainized cooking surface contains spills for easy cleaning
- Six functions—natural airflow bake, convection bake, infrared broil, convection infrared broil, convection

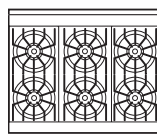
- dehydrate, and convection defrost
- Standard kickspace height
- 30"W. 4B models include**
  - Convection oven capacity:
    - Overall capacity—4.0 cu. ft. (23"W. x 16-1/8"H. x 18-3/4"D.)
    - AHAM Standard capacity—3.3 cu. ft. (23"W. x 16-1/8"H. x 15-3/8"D.)
    - Single bake burner
  - Four 15,000 BTU brass sealed burners with porcelain/cast iron caps and automatic ignition/re-ignition
  - Center grate allows movement of cooking vessels across entire top surface
  - Shipped with 6"H. stainless steel backguard\*
- 36"W. 6B models include**
  - Convection oven capacity:
    - Overall capacity—5.1 cu. ft. (29"W. x 16-1/8"H. x 18-3/4"D.)
    - AHAM Standard capacity—4.2 cu. ft.

- (29"W. x 16-1/8"H. x 15-3/8"D.)
  - Dual bake burner
- Six 15,000 BTU brass sealed burners with porcelain/cast iron caps and automatic ignition/re-ignition
- 36"W. 4G models include**
  - Four 15,000 BTU brass sealed burners with porcelain/cast iron caps and automatic ignition/re-ignition
  - 12"W. thermostatically controlled steel griddle/simmer plate
  - Drip tray with roller bearing glides and two-quart drip pan
- 36"W. 4Q models include**
  - Four 15,000 BTU brass sealed burners with porcelain/cast iron caps and automatic ignition/re-ignition
  - 12"W. grill with flavor generator plates and automatic ignition/re-ignition
  - Drip tray with roller bearing glides and two-quart drip pan

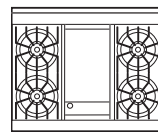
## Model Options



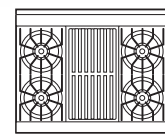
**VGSC307-4B\***  
30"W. Four-Burner Range



**VGSC367-6B\***  
36"W. Six-Burner Range



**VGSC367-4G\***  
36"W. Four-Burner/Griddle Range



**VGSC367-4Q\***  
36"W. Four-Burner/Grill Range

### FINISH DETAILS FOR ALL MODELS

- Stainless Steel (SS), Black (BK), White (WH), Metallic Silver (MS), Graphite Gray (GG), Stone Gray (SG), Taupe (TP), Biscuit (BT), Cotton White (CW), Oyster Gray (OG), Golden Mist (GM), Lemonade (LE), Sage (SA), Mint Julep (MJ), Sea Glass (SE), Iridescent Blue (IB), Viking Blue (VB), Pumpkin (PM), Racing Red (RR), Apple Red (AR), Burgundy (BU), Plum (PL), Chocolate (CH), and Cobalt Blue (CB).
  - Finish designates door front, lower front panel, and side panels.
- Black porcelain grates, porcelain burner caps, porcelain grate supports/burner bowls, and knobs/switches.
- White (WH)
  - White door front, lower front panel, side panels, porcelain grate supports/burner bowls, porcelain center worktop, and knobs/switches.
  - Black porcelain grates and black porcelain burner caps.
- Stainless steel handle with chrome-plated brackets, and stainless steel drip tray pull, control panel, and landing ledge.
- Brass Trim Option (BR)—nameplate, window trim, handle, drip tray pull, knob bezels, thermal-convection switch bezel, and grate support side trim. Brass components have a durable protective coating for maintenance-free normal use.

\*Shown throughout with 6"H. backguard. See **Installation Notes & Accessories** for details.

### ORDERING INSTRUCTIONS

First specify model number, and then color code (VGSC307-4BSS). If ordering optional brass trim, specify code at end (VGSC307-4BSSBR). If ordering optional LP conversion, specify code at end (VGSC307-4BSSBRLP).





Professional Freestanding Gas Self-Clean 30"/36"W. Sealed Burner Range

Dimensions & Specifications

PRODUCT DIMENSIONS & DOOR SWING

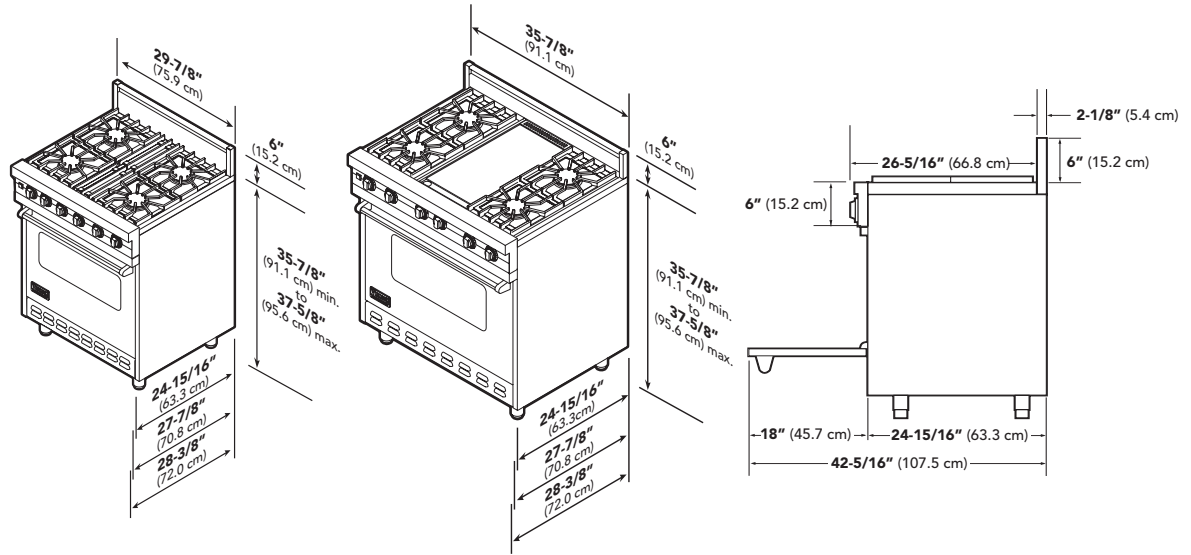


VGSC307-4B  
30"W. Four-Burner Range

VGSC367-6B  
36"W. Six-Burner Range

VGSC367-4G  
36"W. Four-Burner/Griddle Range

VGSC367-4Q  
36"W. Four-Burner/Grill Range



★ Please see Installation Notes & Accessories for important installation information including backguard, high-shelf, island trim, and curb base front.

★ ALL MODELS Star-K Kosher Certification for use on the Jewish Sabbath or Jewish holidays

	VGSC307-4B	VGSC367-6B	VGSC367-4G	VGSC367-4Q
Overall width	29-7/8" (75.9 cm)	35-7/8" (91.1 cm)	35-7/8" (91.1 cm)	35-7/8" (91.1 cm)
Overall height				
Base height				
To top of grate support		35-7/8" (91.1 cm) min. to 37-5/8" (95.6 cm) max		
Legs adjust (with "spindles" fully extended)		1-3/4" (4.5 cm)		
Additions to base height				
To top of spider grate			Add 1-1/8" (2.9 cm)	
To top of island trim			Add 1-1/4" (3.2 cm)	
To top of 6" backguard			Add 6" (15.2 cm)	
To top of 10" backguard			Add 10" (25.4 cm)	
To top of high shelf			Add 23-1/2" (59.7 cm)	
Overall depth (from rear)				
To end of side panel			24-15/16" (63.3 cm)	
To end of control panels			27-7/8" (70.8 cm)	
To end of knobs			28-3/8" (72.0 cm)	
Oven				
Interior width	23" (58.4 cm)	29" (73.7 cm)	29" (73.7 cm)	29" (73.7 cm)
Interior height			16-1/8" (41.0 cm)	
Interior depth			15-3/8" (39.1 cm)	
Overall interior size	3.3 cu. ft.	4.2 cu. ft.	4.2 cu. ft.	4.2 cu. ft.



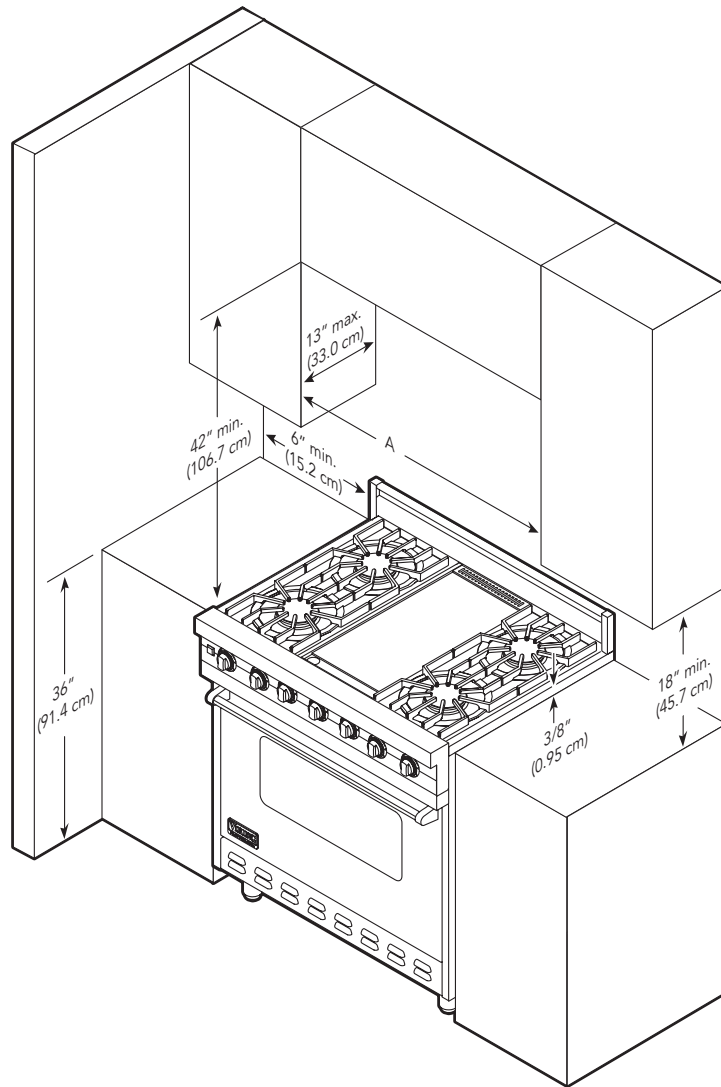


# Professional Freestanding Gas Self-Clean 30"/36"W. Sealed Burner Range



## Dimensions & Specifications

### CLEARANCE DIMENSIONS



A	
30"W.	29-7/8" (75.9 cm)
36"W.	35-7/8" (91.1 cm)

#### Minimum clearances from adjacent combustible construction

- Cooking surface and below, i.e., 36" (91.4 cm)
  - o Sides—0"
  - o Rear
    - o 0" with backguard or high-shelf
    - o 0" with island trim and non-combustible rear wall
    - o 6" (15.2 cm) with island trim and combustible rear wall
    - o Top grate support—36" (91.4 cm)
- Above cooking surface, i.e., above 36" (91.4 cm)
  - o Sides—6" (15.2 cm)
  - o Within 6" (15.2 cm) side clearance, wall cabinets no deeper than 13" (33.0 cm) must be minimum 18" (45.7 cm) above cooking surface

- o Wall cabinets directly above product must be minimum 42" (106.7 cm) for sealed top burners above cooking surface
- Use range only with factory supplied legs
  1. This range may be installed directly adjacent to existing 36" (91.4 cm) high base cabinets. **Important:** The top grate support **must** be 3/8" (0.95 cm) above the adjacent base cabinet countertop. This may be accomplished by raising the unit using the adjustment spindles on the legs.
  2. The range **cannot** be installed directly adjacent to sidewalls, tall cabinets, tall appliances, or other side vertical surfaces above 36" (91.4 cm) high.

- There must be a minimum of 6" (15.2 cm) side clearance from the range to such combustible surfaces above the 36" (91.4 cm) counter height.
3. Within the 6" (15.2 cm) side clearance to combustible vertical surfaces above 36" (91.4 cm), the maximum wall cabinet depth must be 13" (33.0 cm) and wall cabinets within this 6" (15.2 cm) side clearance must be 18" (45.7 cm) above the 36" (91.4 cm) high countertop.
  4. Wall cabinets above the range must be a minimum of 42" (106.7 cm) above the range cooking surface for the full width of the range. This minimum height requirement does not apply if a rangehood is installed over the cooking surface.





# Professional Freestanding Gas Self-Clean 30"/36"W. Sealed Burner Range

## UTILITY REQUIREMENTS



### GAS

- Shipped natural gas standard; field convert to LP/propane with optional accessory kit or order as LP by adding LP after color code
- Accepts standard residential 1/2" ID gas service line
- Gas manifold pressure
- Natural gas 5.0" W.C.P.
- LP/Propane 10.0" W.C.P.



### ELECTRICAL

- Four-foot (121.9 cm) cord included with range
- Three-wire with ground/three-prong plug
- 120 V/60 Hz
- Maximum amp usage—
  - o 4B—2.3
  - o 6B—2.3
  - o 4G—6.0
  - o 4Q—2.4



### PLUMBING

Not applicable

## Installation Requirements

### ACCESS REQUIREMENTS



**VGSC307-4B**  
30"W. Four-Burner Range



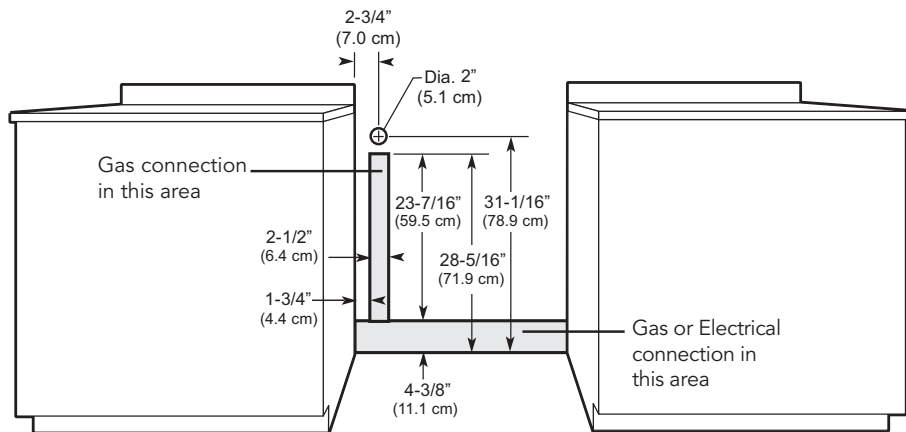
**VGSC367-6B**  
36"W. Six-Burner Range



**VGSC367-4G**  
36"W. Four-Burner/Griddle Range



**VGSC367-4Q**  
36"W. Four-Burner/Grill Range



**Note:** If the gas supply is installed through the rear wall, the location MUST be 31-1/16" (78.9 cm) above the floor and 2-3/4" (7.0 cm) from the left hand side (when facing the unit) or within a maximum of 4-3/8" (11.1 cm) above the floor as specified in the drawing above.

	VGSC307-4B	VGSC367-6B	VGSC367-4G	VGSC367-4Q
Surface burner rating				
Four grated burners (each)	15,000 BTU Nat. (4.4 kW)/ 13,500 BTU LP (4.0 kW)		15,000 BTU Nat. (4.4 kW)/ 13,500 BTU LP (4.0 kW)	15,000 BTU Nat. (4.4 kW)/ 13,500 BTU LP (4.0 kW)
Six grated burners (each)		15,000 BTU Nat. (4.4 kW)/ 13,500 BTU LP (4.0 kW)		
One griddle			15,000 BTU Nat. (4.4 kW)/ 13,500 BTU LP (4.0 kW)	
One grill				18,000 BTU Nat. (5.3 kW)—gross/ 16,000 BTU LP (4.7 kW)
Broil burner rating	<b>18,000 BTU Nat. (5.3 kW)/16,000 BTU LP (4.7 kW)</b>			
Bake burner rating	<b>30,000 BTU Nat./LP (8.8 kW)</b>			





# COOKING

## Professional Freestanding Gas Self-Clean 30"/36"W. Sealed Burner Range



### ✪ Installation Notes & Accessories

A backguard, high-shelf, or island trim must be used for all installations.

#### 6"H. & 10" Backguard

- Stainless Steel (SS)
- Coordinates with all finishes
- 6"H. backguard included (and shipped) automatically with 30"W. ranges, but not with 36"W. ranges.

Model	Description	Approx. ship wt. lbs. (kg)
C30BG6	30"W. backguard	14 (6.3)
C36BG6	36"W. backguard	17 (7.7)

#### 10" Backguard

- Stainless Steel (SS)
- Coordinates with all finishes
- 10"H. backguard not available for 30"W. ranges

Model	Description	Approx. ship wt. lbs. (kg)
C36BG10	36"W. backguard	20 (9.0)

#### High-shelf

- Stainless Steel (SS)
- Coordinates with all finishes
- Shelf comes attached to a 24"H. backguard

Model	Description	Approx. ship wt. lbs. (kg)
C30HS24	30"W. high-shelf	45 (20.3)
C36HS24	36"W. high-shelf	50 (22.5)

#### Island Trim

- Stainless Steel (SS)
- Coordinates with all finishes
- For island/peninsula installation
- Can replace backguard if wall is non-combustible

Model	Description	Approx. ship wt. lbs. (kg)
C30TII	30"W. island trim	10 (4.5)
C36TII	36"W. island trim	11 (5.0)

#### Countertop Side Trim

- Stainless Steel (SS)
- Coordinates with all finishes
- One pair of trim
- Installs on side of unit; overlaps countertop

Model	Description	Approx. ship wt. lbs. (kg)
SE24CST	24"D. Side trim	2 (0.9)





# COOKING

## Professional Freestanding Gas Self-Clean 30"/36"W. Sealed Burner Range



### ✦ Installation Notes & Accessories

#### Curb Base Front

- Stainless Steel (SS)
- Coordinates with all finishes
- Front only
- Conceals range legs
- Completely assembled
- Easily clips onto range legs after range is installed

#### Custom Curb Base Front

- Remove stainless steel front and recycle
- Attach locally supplied trim
- Conceals range legs
- Completely assembled
- Easily clips onto range legs after range is installed
- Provides drop-in range look

Model	Description	Approx. ship wt. lbs. (kg)
RS30CBF4	30"W. curb base front	9 (4.1)
RS36CBF4	30"W. curb base front	10 (4.5)

#### LP/Propane Conversion Kit

- Allows for field conversion of range from natural gas to LP

Model	Description	Approx. ship wt. lbs. (kg)
LPKSBRR	Natural to LP/propane conversion kit	2 (0.9)

### Compliance Information



### WARRANTY INFORMATION\*

- One-year full warranty—complete product
- Ten-year limited warranty—porcelain oven and porcelain inner door panel
- Five-year limited warranty—surface/tube burners, griddle burners, grill burners, and oven burner
- Ninety-day limited warranty—cosmetic parts such as glass, painted, and decorative items

\* For complete warranty see *Use & Care Guide*. Warranty valid on Viking products shipped within the United States and Canada.



## Free Manuals Download Website

<http://myh66.com>

<http://usermanuals.us>

<http://www.somanuals.com>

<http://www.4manuals.cc>

<http://www.manual-lib.com>

<http://www.404manual.com>

<http://www.luxmanual.com>

<http://aubethermostatmanual.com>

Golf course search by state

<http://golfingnear.com>

Email search by domain

<http://emailbydomain.com>

Auto manuals search

<http://auto.somanuals.com>

TV manuals search

<http://tv.somanuals.com>